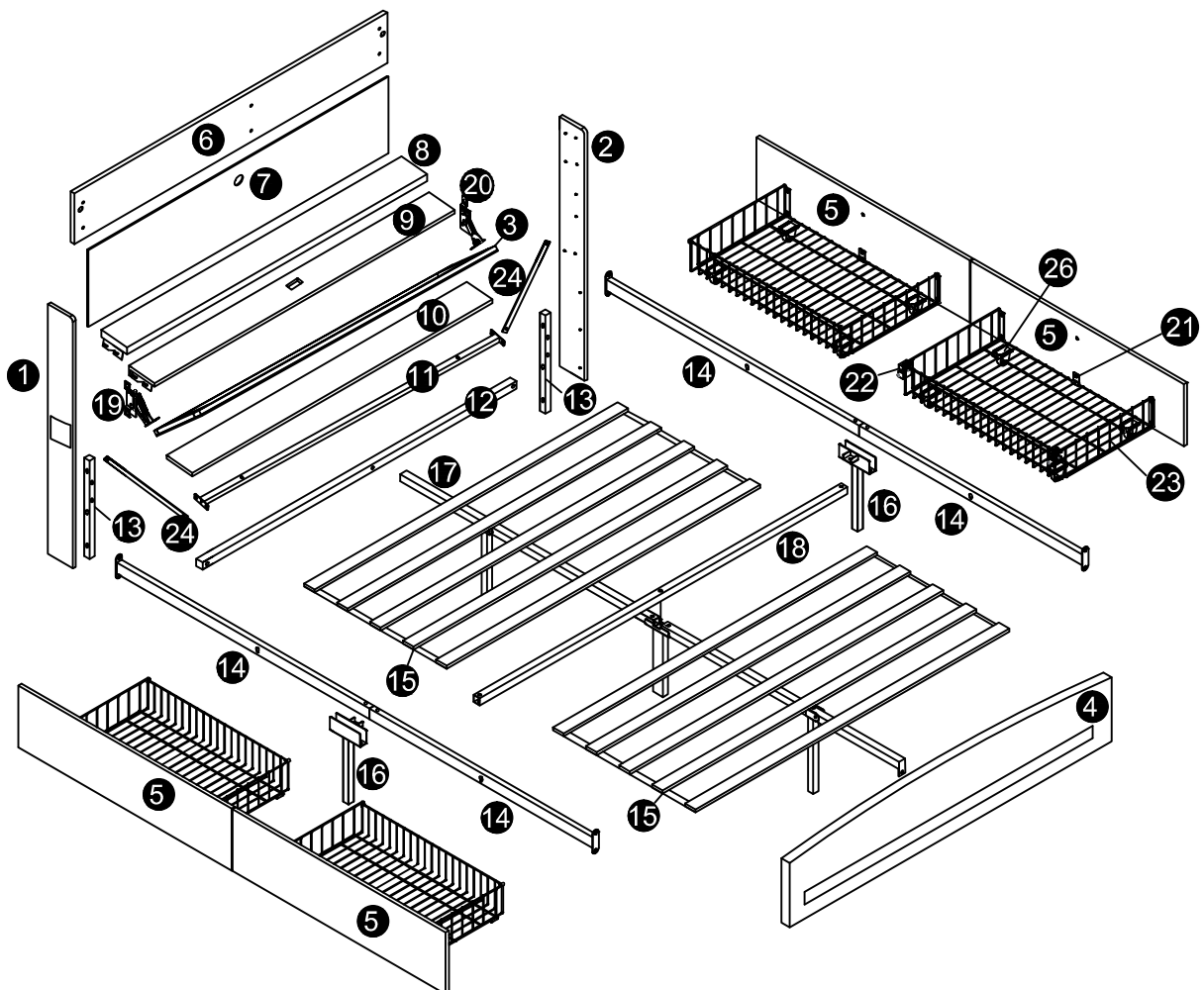


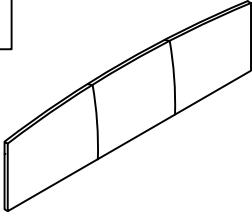
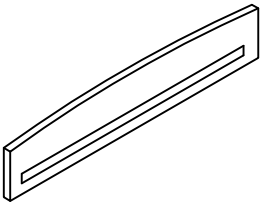
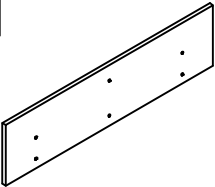
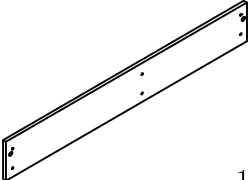
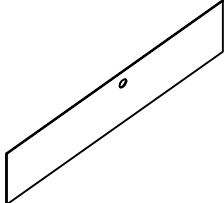
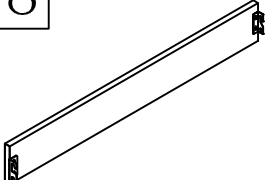
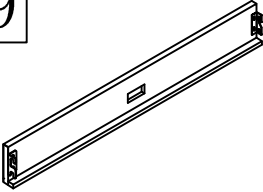
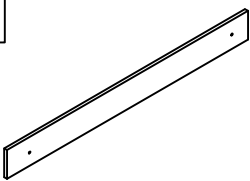
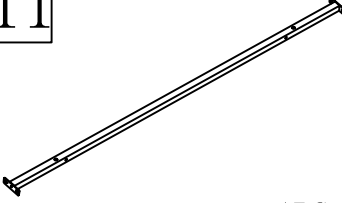
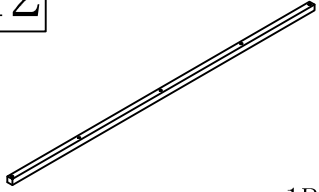

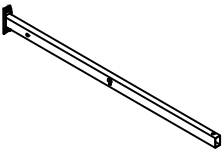
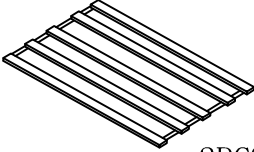
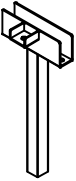
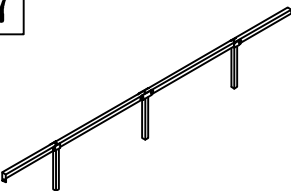
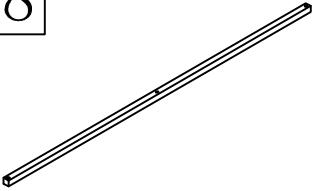
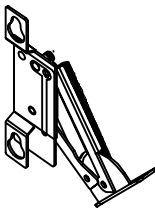
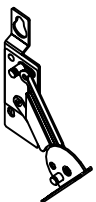
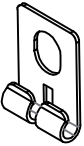
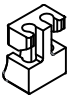
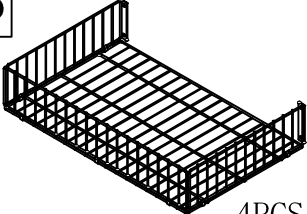

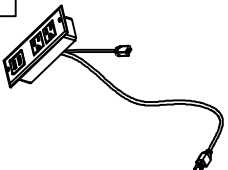
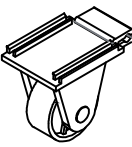




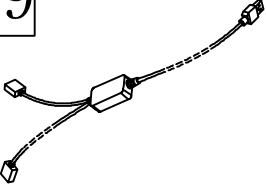



Note:

Should be assembled on flat ground to keep balance.  
It needs at least two people to install.  
Before starting the assembly, you must read the whole manual and follow the instructions.








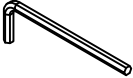
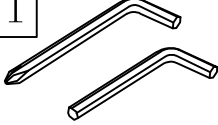


# Part list



1		1PC	2		1PC	3		1PC	4		1PC
5		4PCS	6		1PC	7		1PC	8		1PC
9		1PC	10		1PC	11		1PC	12		1PC
13		2PCS	14		4PCS	15		2PCS	16		2PCS
17		1PC	18		1PC	19		1PC	20		1PC
21		4PCS	22		8PCS	23		4PCS	24		2PCS
25		1PC	26		16PCS	27		Long 1PC	28		Short 1PC

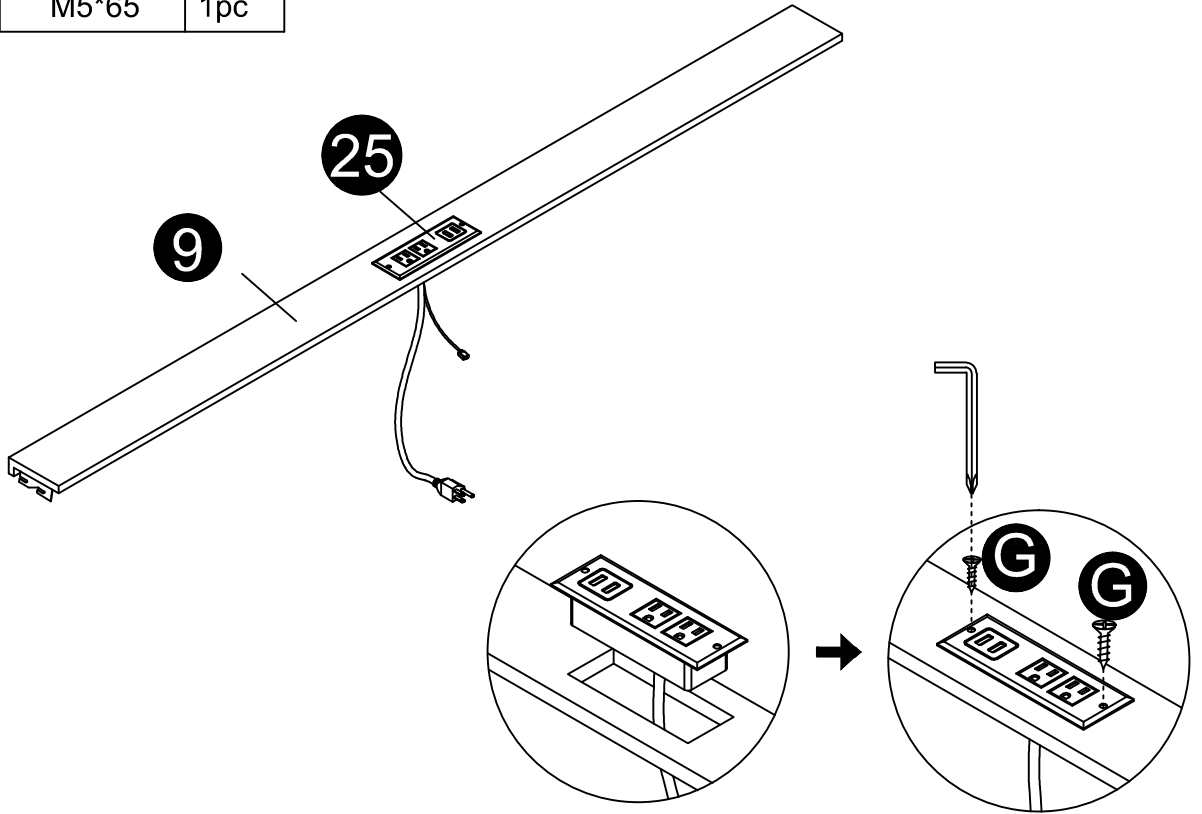
<div data-bbox="44 91 113 152" data-label="Text">29</div>  <div data-bbox="352 322 411 353" data-label="Text">1PC</div>	<div data-bbox="421 91 489 152" data-label="Text">30</div>  <div data-bbox="730 322 790 353" data-label="Text">1PC</div>	<div data-bbox="798 91 866 152" data-label="Text">31</div>  <div data-bbox="1094 322 1153 353" data-label="Text">1PC</div>	<div data-bbox="1174 91 1243 152" data-label="Text">32</div>  <div data-bbox="1477 322 1536 353" data-label="Text">5PCS</div>
---	---	--	--

## Hardware list

<div data-bbox="70 779 108 824" data-label="Text">A</div>  <div data-bbox="150 898 240 927" data-label="Text">M8*50mm</div> <div data-bbox="256 949 331 981" data-label="Text">6PCS</div>	<div data-bbox="357 779 395 824" data-label="Text">B</div>  <div data-bbox="448 893 539 922" data-label="Text">M8*35mm</div> <div data-bbox="533 949 608 981" data-label="Text">16PCS</div>	<div data-bbox="651 779 689 824" data-label="Text">C</div>  <div data-bbox="751 882 842 911" data-label="Text">M8*15mm</div> <div data-bbox="815 949 890 981" data-label="Text">18PCS</div>	<div data-bbox="944 779 983 824" data-label="Text">D</div>  <div data-bbox="997 875 1088 904" data-label="Text">M8*25mm</div> <div data-bbox="1118 949 1193 981" data-label="Text">11PCS</div>	<div data-bbox="1238 779 1276 824" data-label="Text">E</div>  <div data-bbox="1326 882 1417 911" data-label="Text">M6*12mm</div> <div data-bbox="1414 949 1489 981" data-label="Text">22PCS</div>
<div data-bbox="70 994 108 1039" data-label="Text">F</div>  <div data-bbox="158 1122 248 1151" data-label="Text">M6*20mm</div> <div data-bbox="272 1160 347 1191" data-label="Text">4PCS</div>	<div data-bbox="357 994 395 1039" data-label="Text">G</div>  <div data-bbox="429 1095 520 1124" data-label="Text">M4*12mm</div> <div data-bbox="549 1151 624 1182" data-label="Text">3PCS</div>	<div data-bbox="651 994 689 1039" data-label="Text">H</div>  <div data-bbox="740 1120 831 1149" data-label="Text">M4*65MM</div> <div data-bbox="826 1160 885 1191" data-label="Text">1PC</div>	<div data-bbox="944 994 983 1039" data-label="Text">I</div>  <div data-bbox="1023 1137 1114 1167" data-label="Text">M5*65MM</div> <div data-bbox="1129 1160 1189 1191" data-label="Text">1PCS</div>	

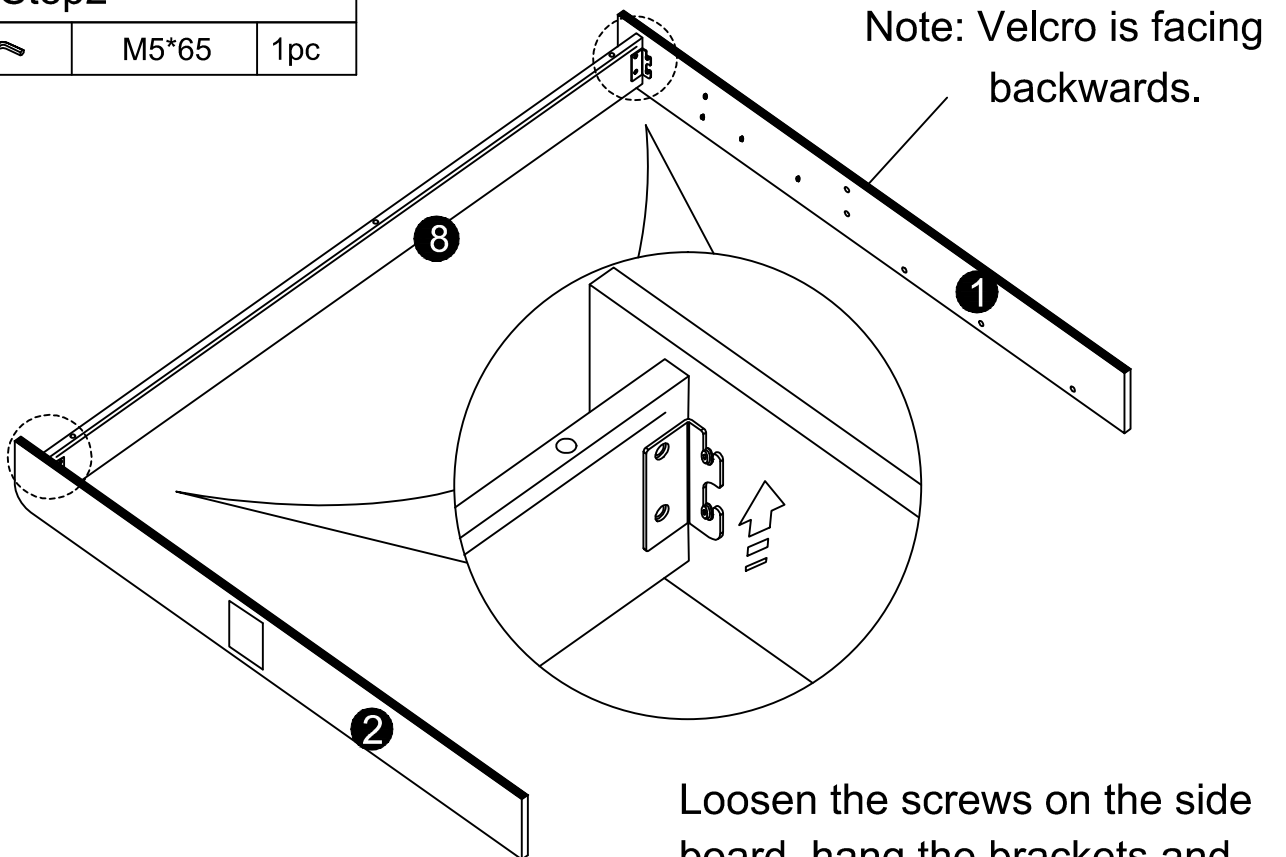
### Step1

G		M4x12mm	2pcs
I		M5*65	1pc




### Step2

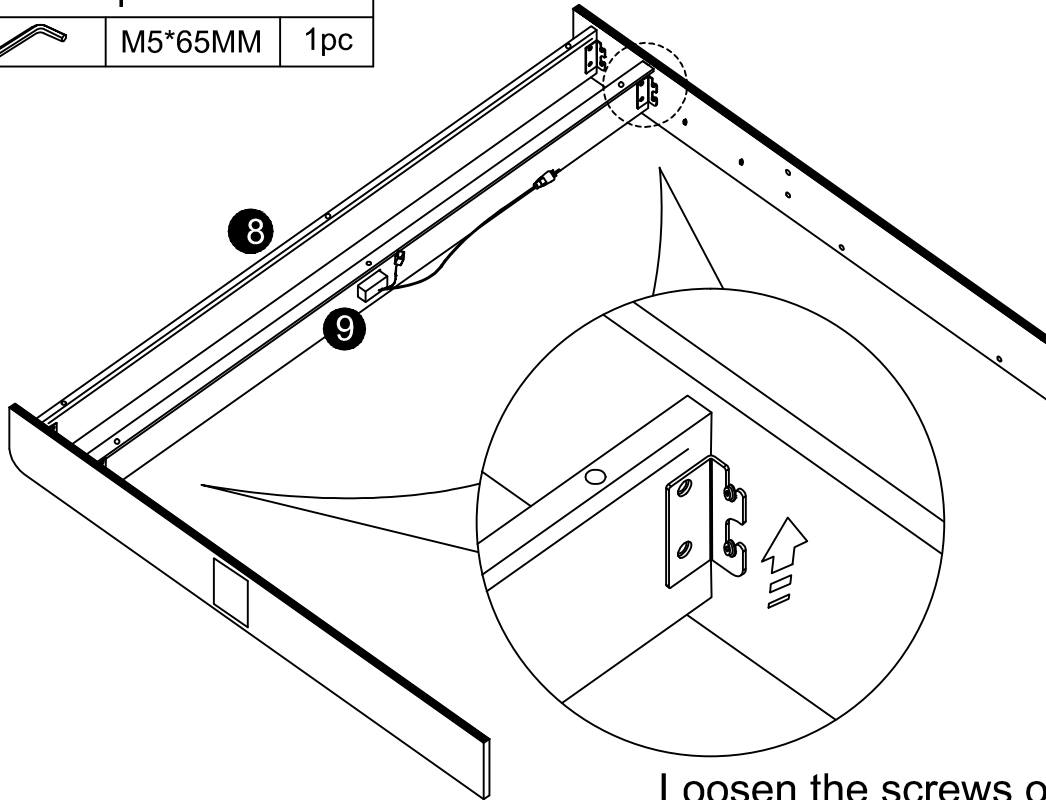
I		M5*65	1pc
---	---	-------	-----



Loosen the screws on the side board, hang the brackets and tighten the screws.


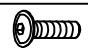

### Step3

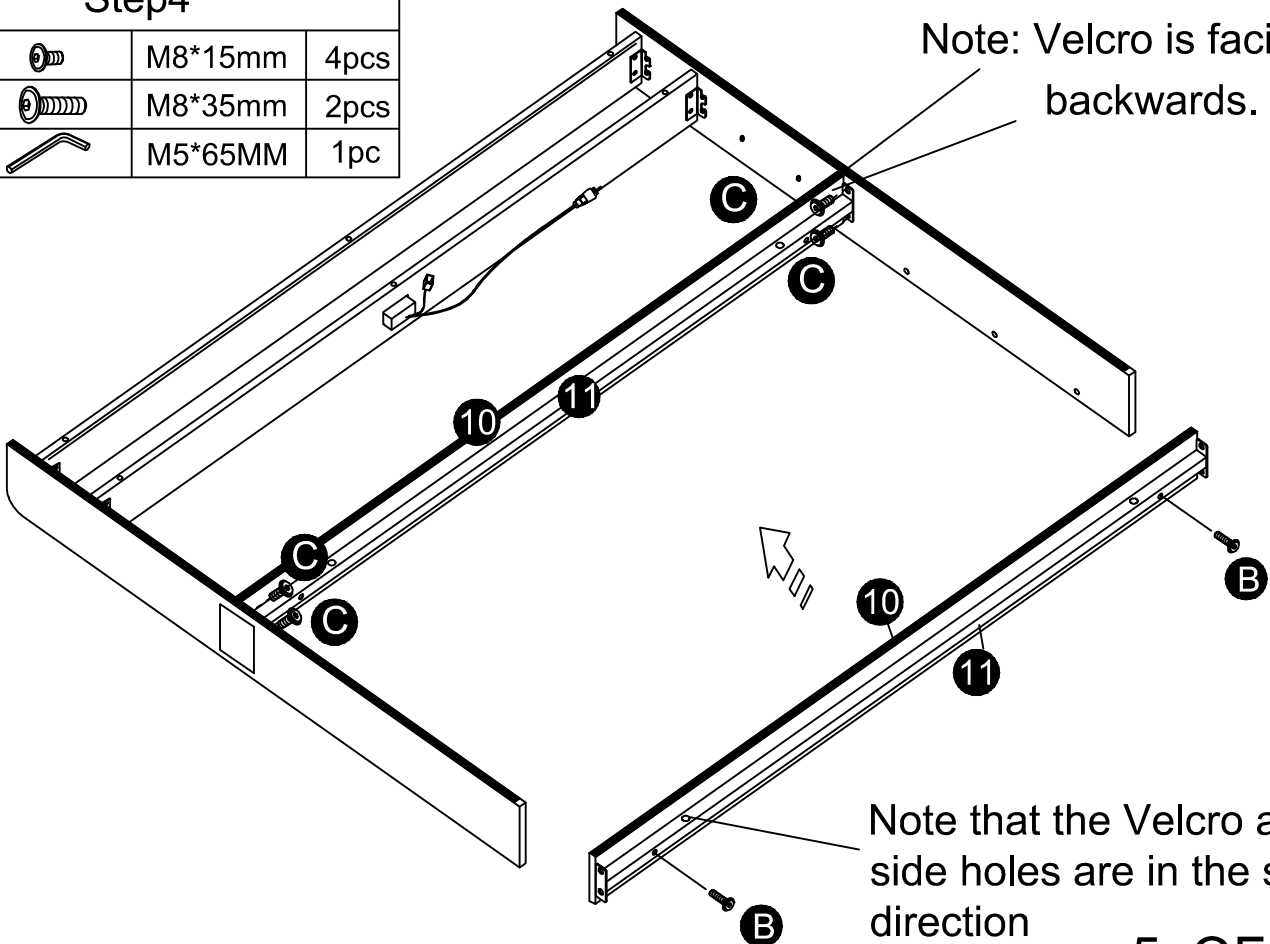
I		M5*65MM	1pc
---	---	---------	-----



Loosen the screws on the side board, hang the brackets and tighten the screws.

### Step4



C		M8*15mm	4pcs
B		M8*35mm	2pcs
I		M5*65MM	1pc

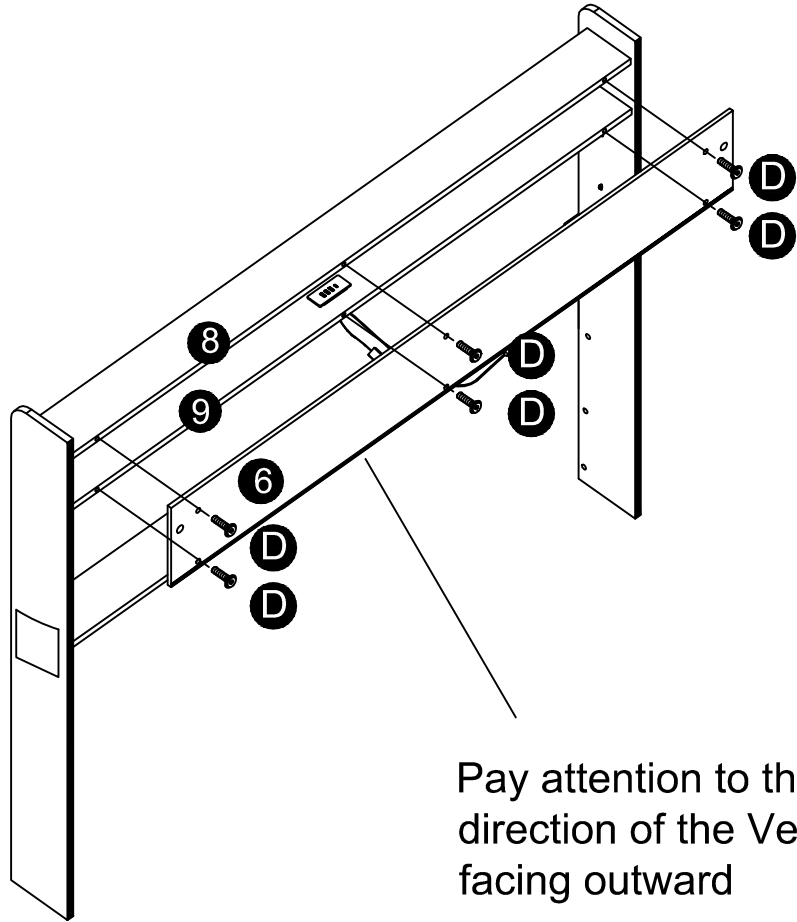


Note: Velcro is facing backwards.

Note that the Velcro and side holes are in the same direction

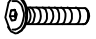

### Step5

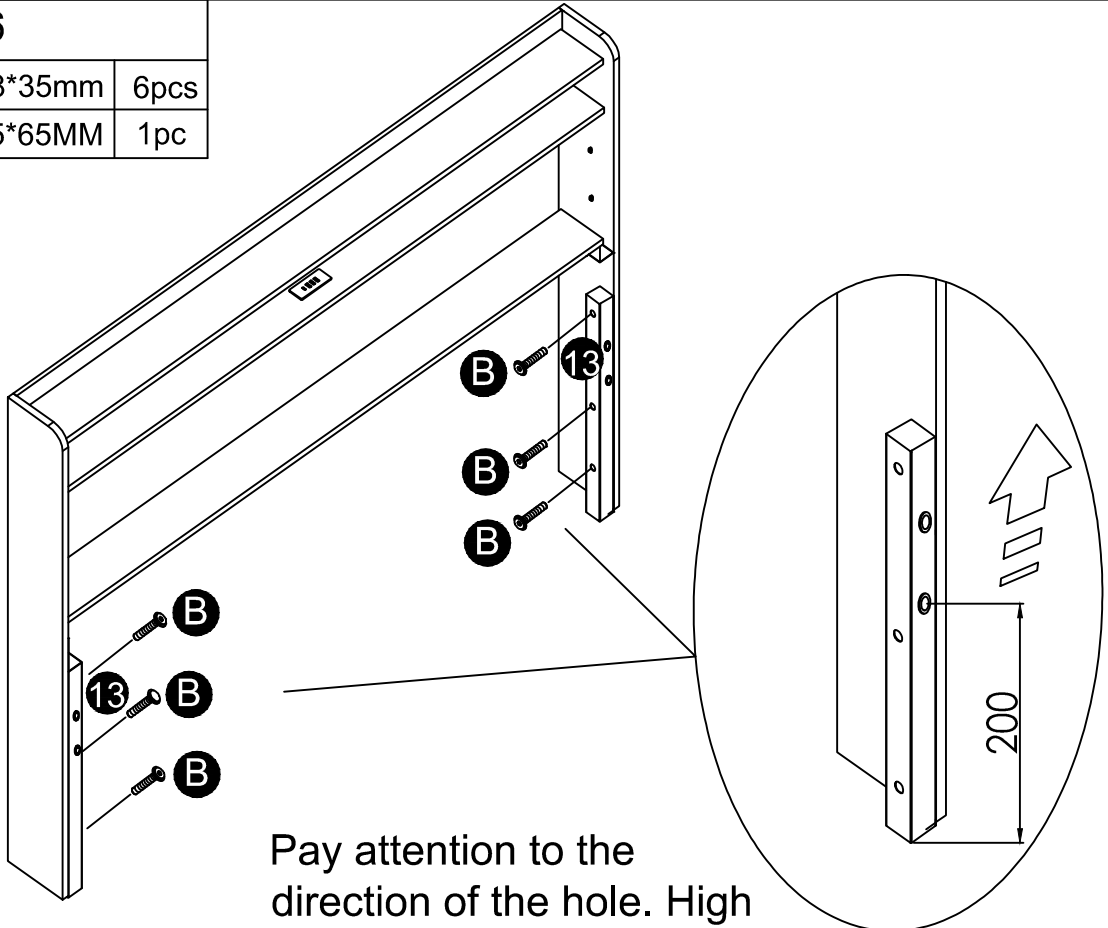
D		M8*25mm	6pcs
I		M5*65MM	1pc



Pay attention to the direction of the Velcro facing outward



### Step6

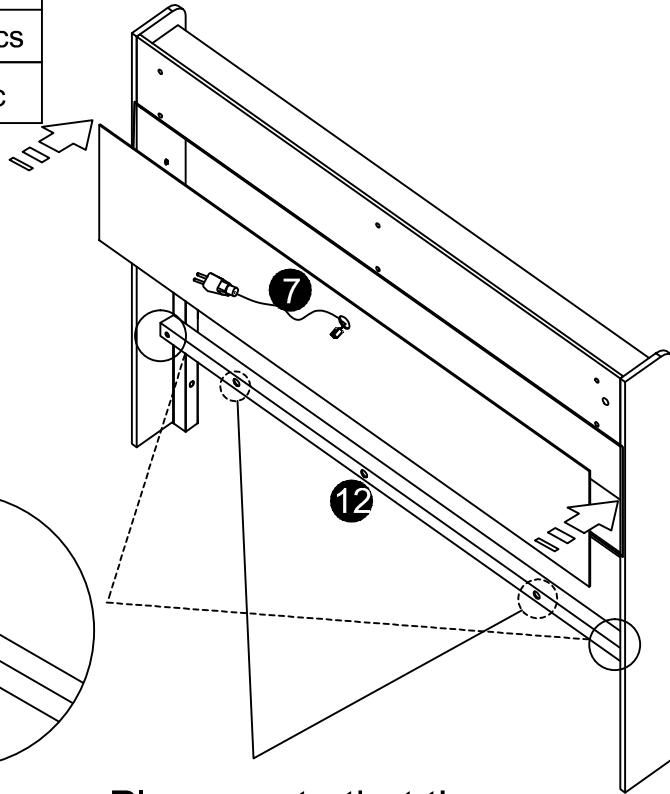
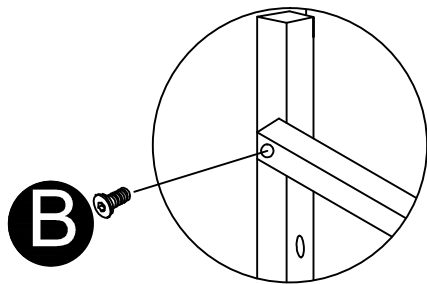
B		M8*35mm	6pcs
I		M5*65MM	1pc



Pay attention to the direction of the hole. High below



### Step7

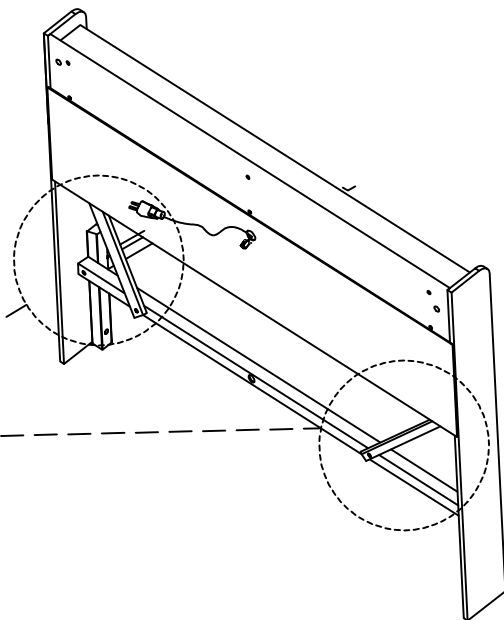
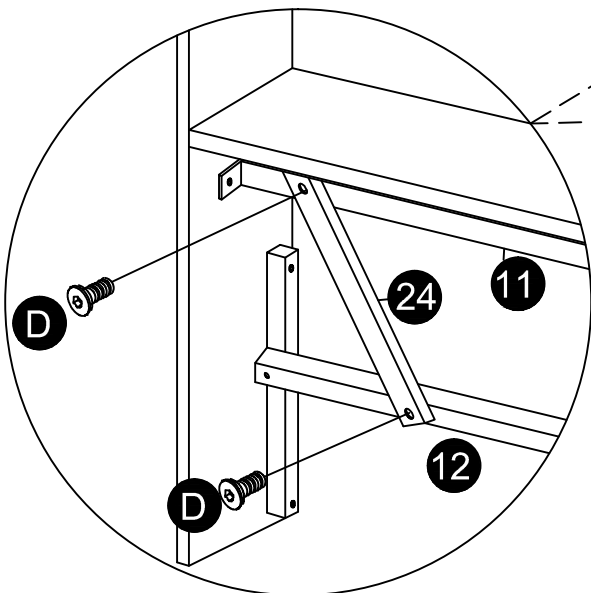
B		M8x35mm	2pcs
I		M5x65mm	1pc



Please note that these two holes should be facing outward

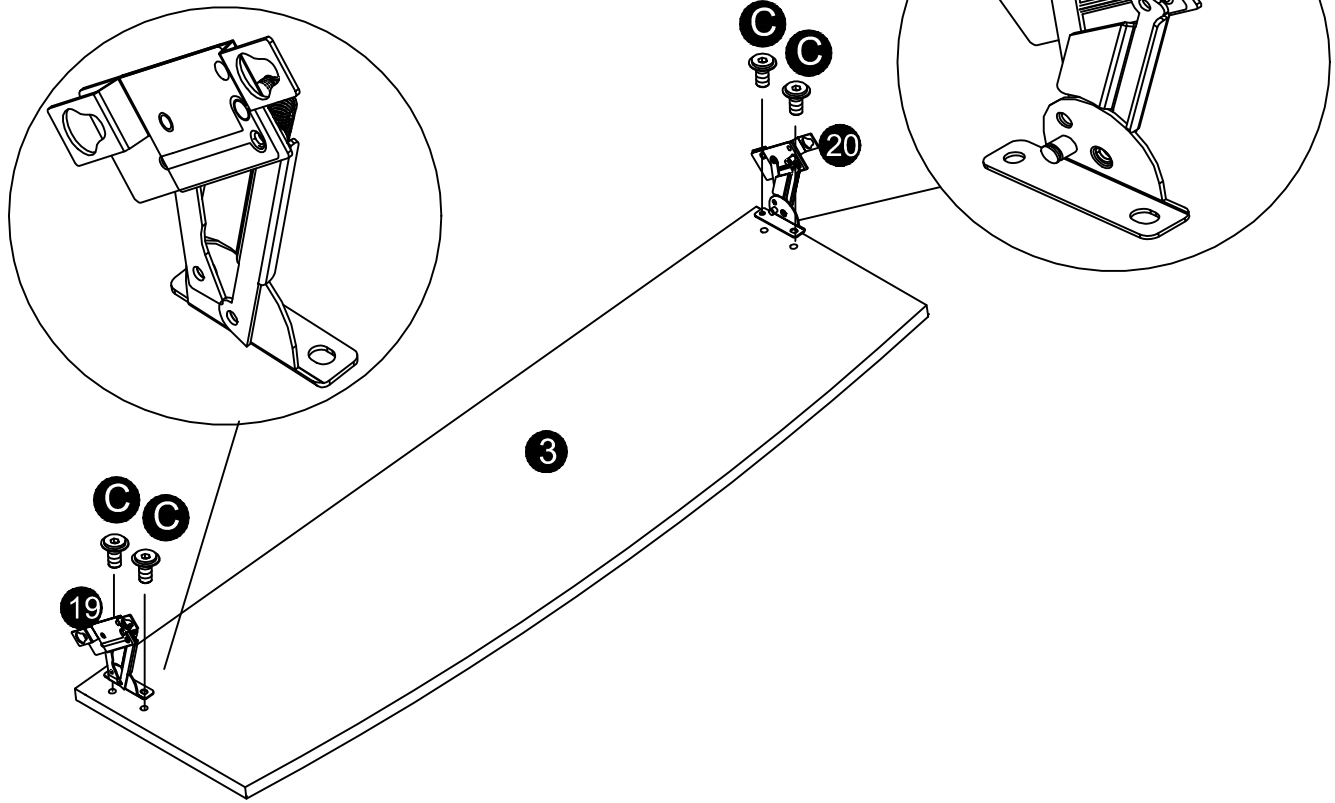
### Step8

D		M8x25mm	4pcs
I		M5x65mm	1pc




### Step9

C		M8*15mm	4pcs
I		M5*65MM	1pc

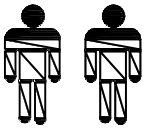


### Step10

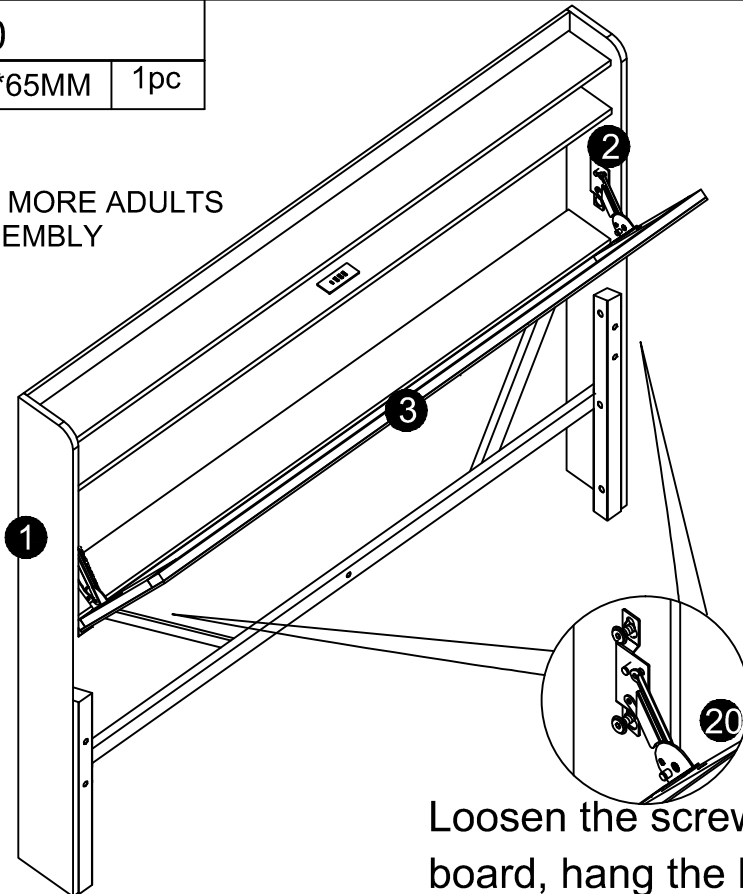
F		M5*65MM	1pc
---	---	---------	-----



RECOMMEND 2 OR MORE ADULTS  
FOR QUICKER ASSEMBLY





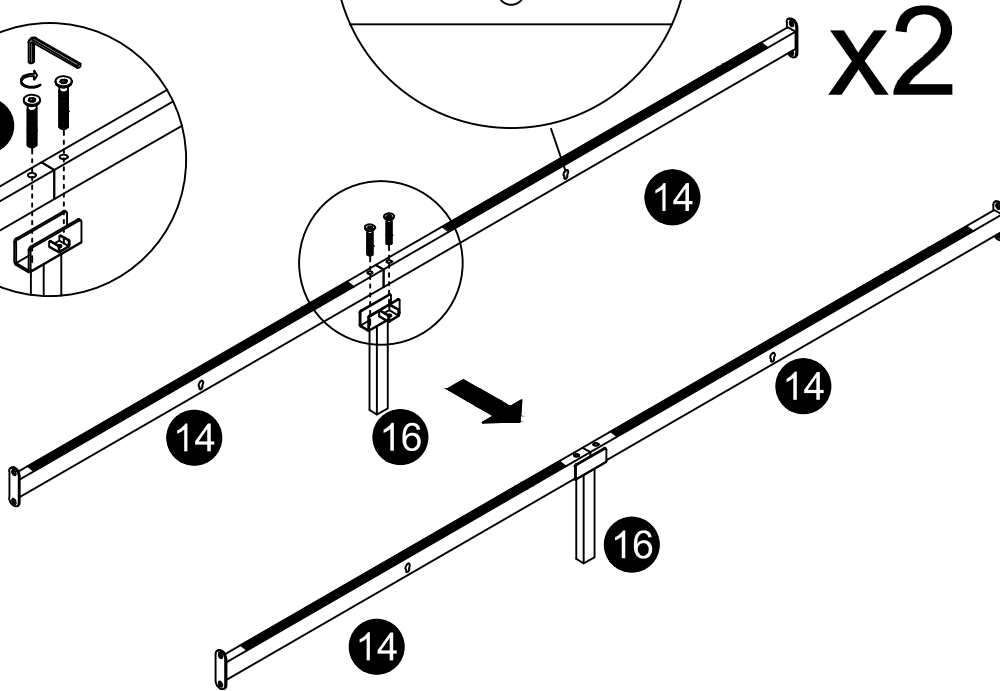
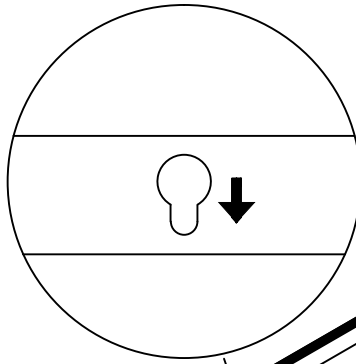
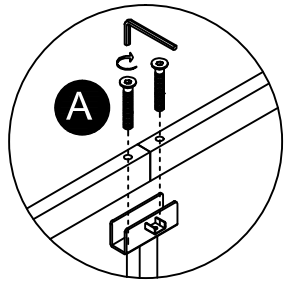
2PERS





Loosen the screws on the side  
board, hang the brackets and  
tighten the screws.

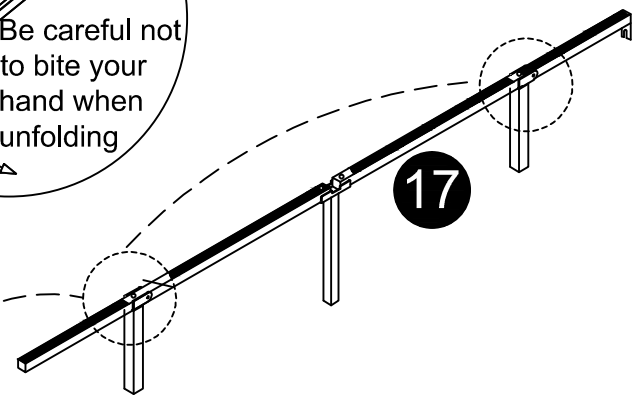
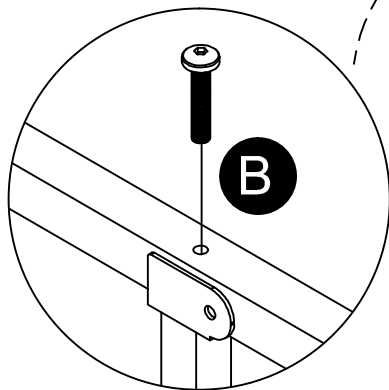
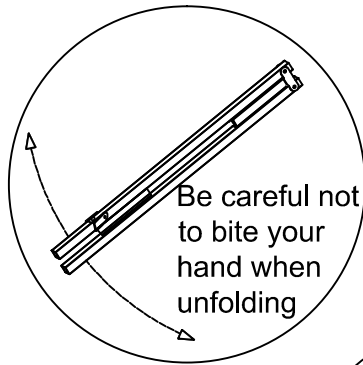
### Step11

A		M8x50mm	4pcs
I		M5x65mm	1pc





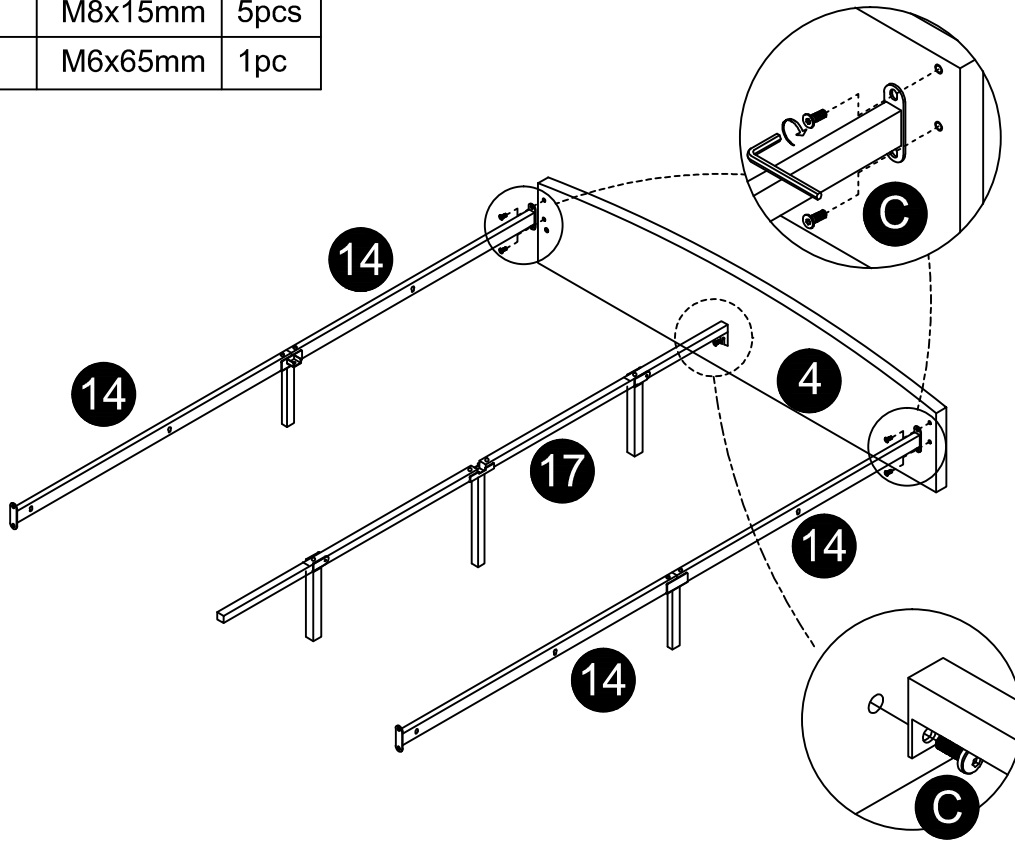
### Step12

B		M8x35mm	2pcs
I		M5x65mm	1pc






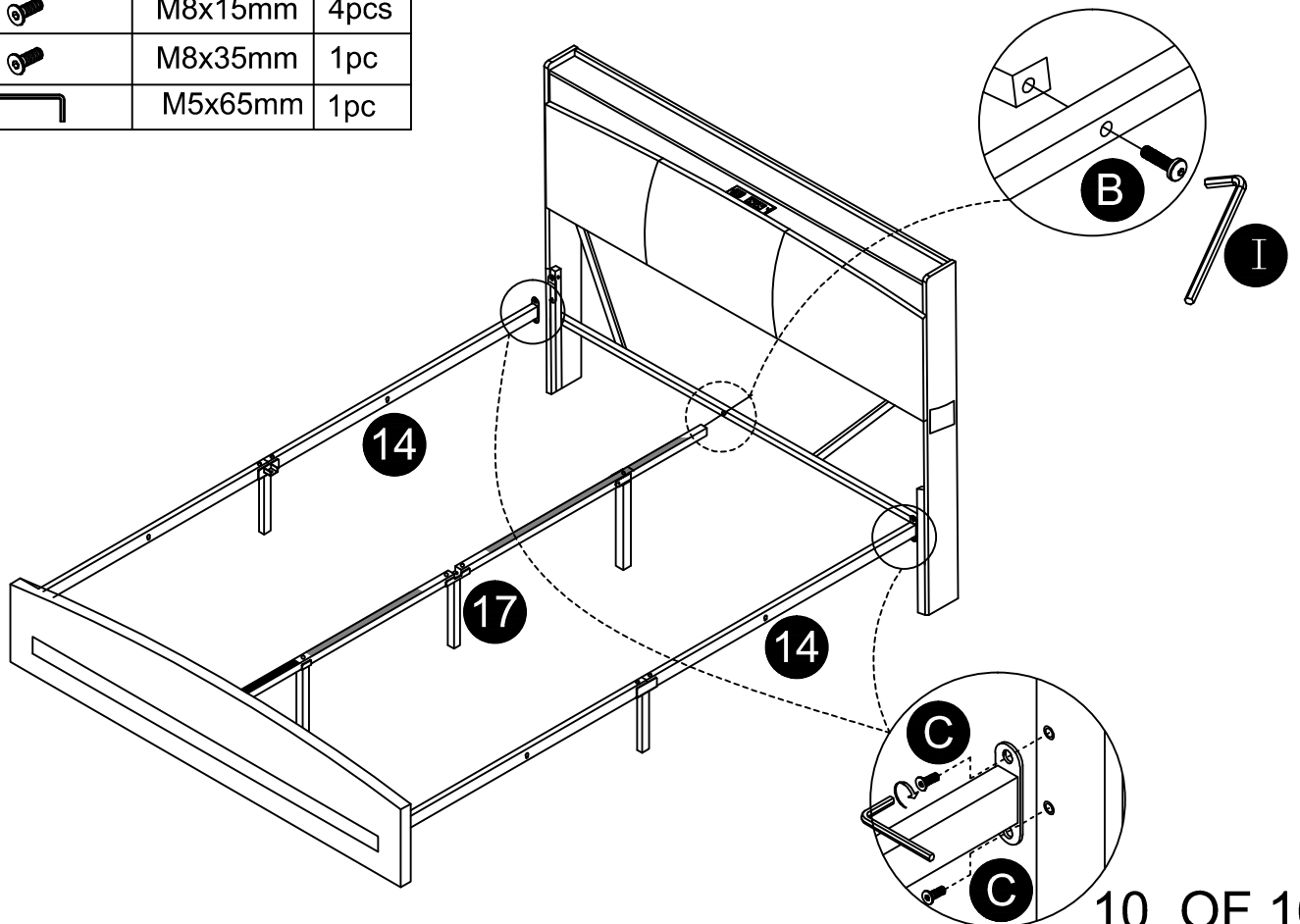
### Step13

C		M8x15mm	5pcs
I		M6x65mm	1pc






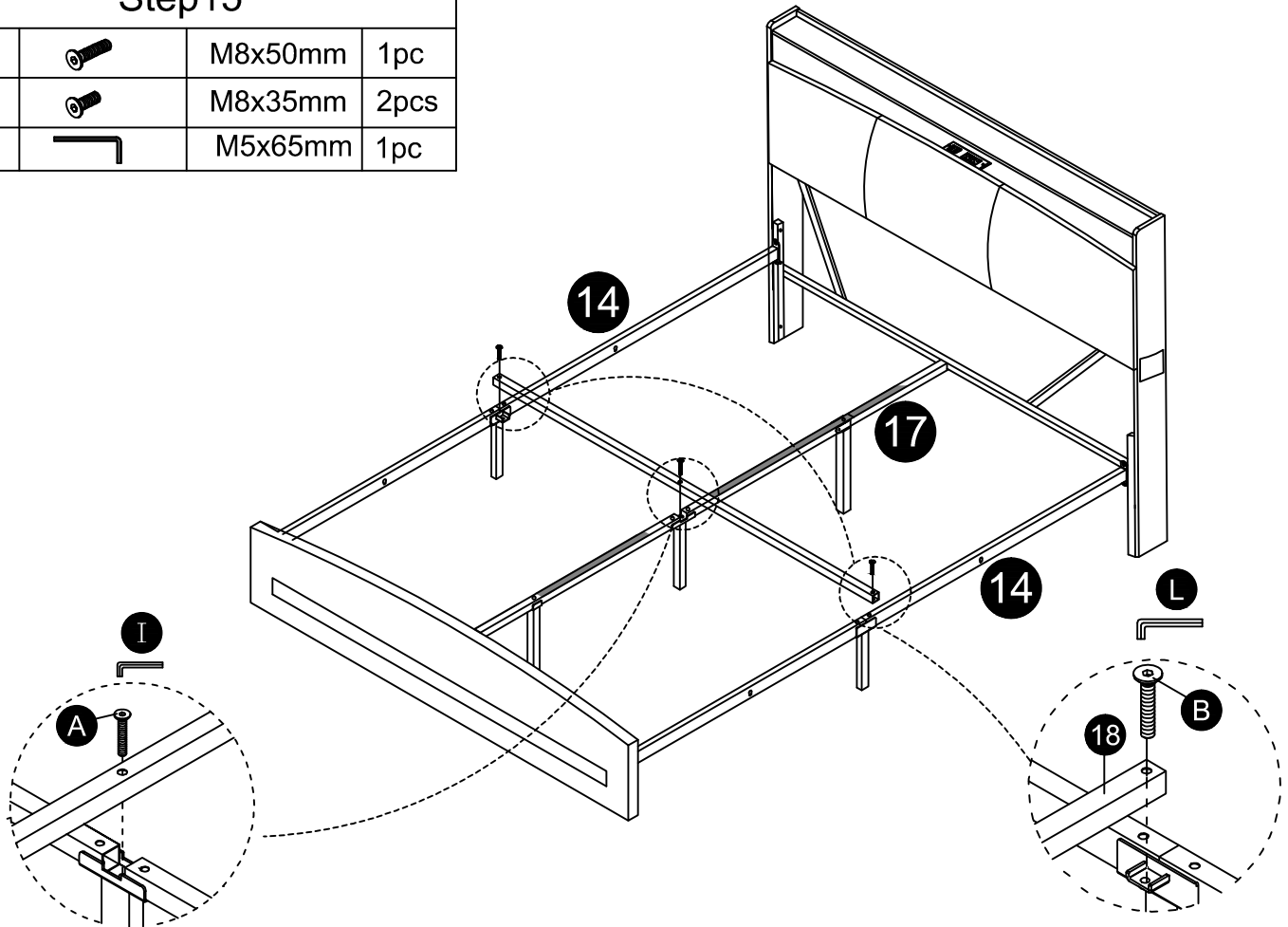
### Step14

C		M8x15mm	4pcs
B		M8x35mm	1pc
I		M5x65mm	1pc

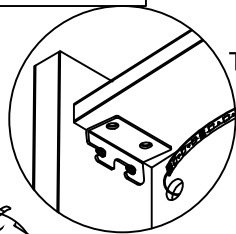
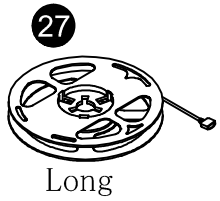


## Step15

A		M8x50mm	1pc
B		M8x35mm	2pcs
I		M5x65mm	1pc

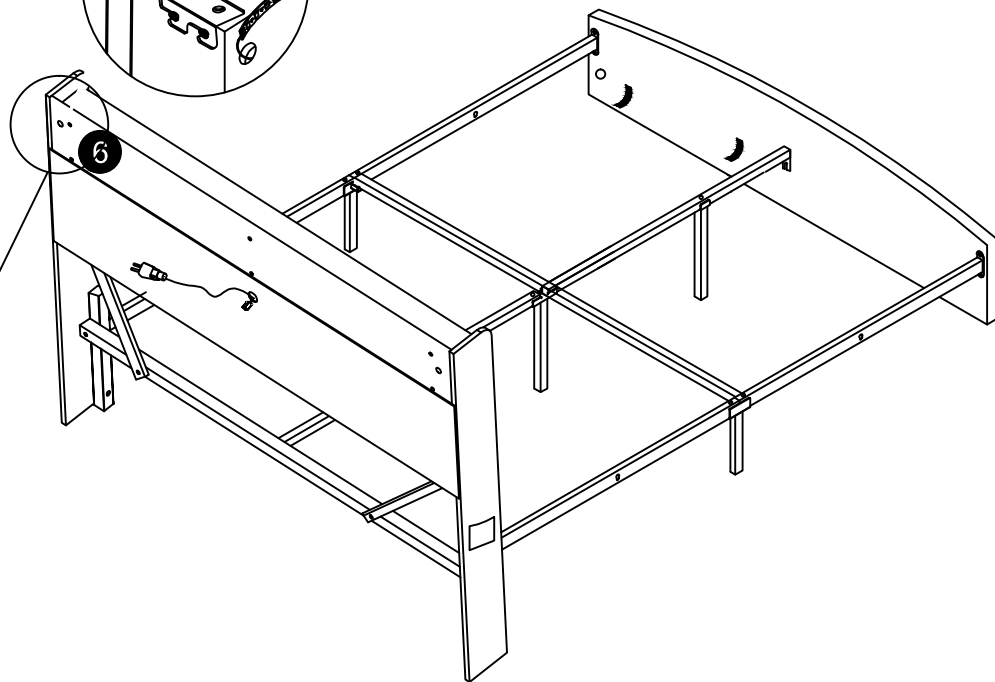


## Step16

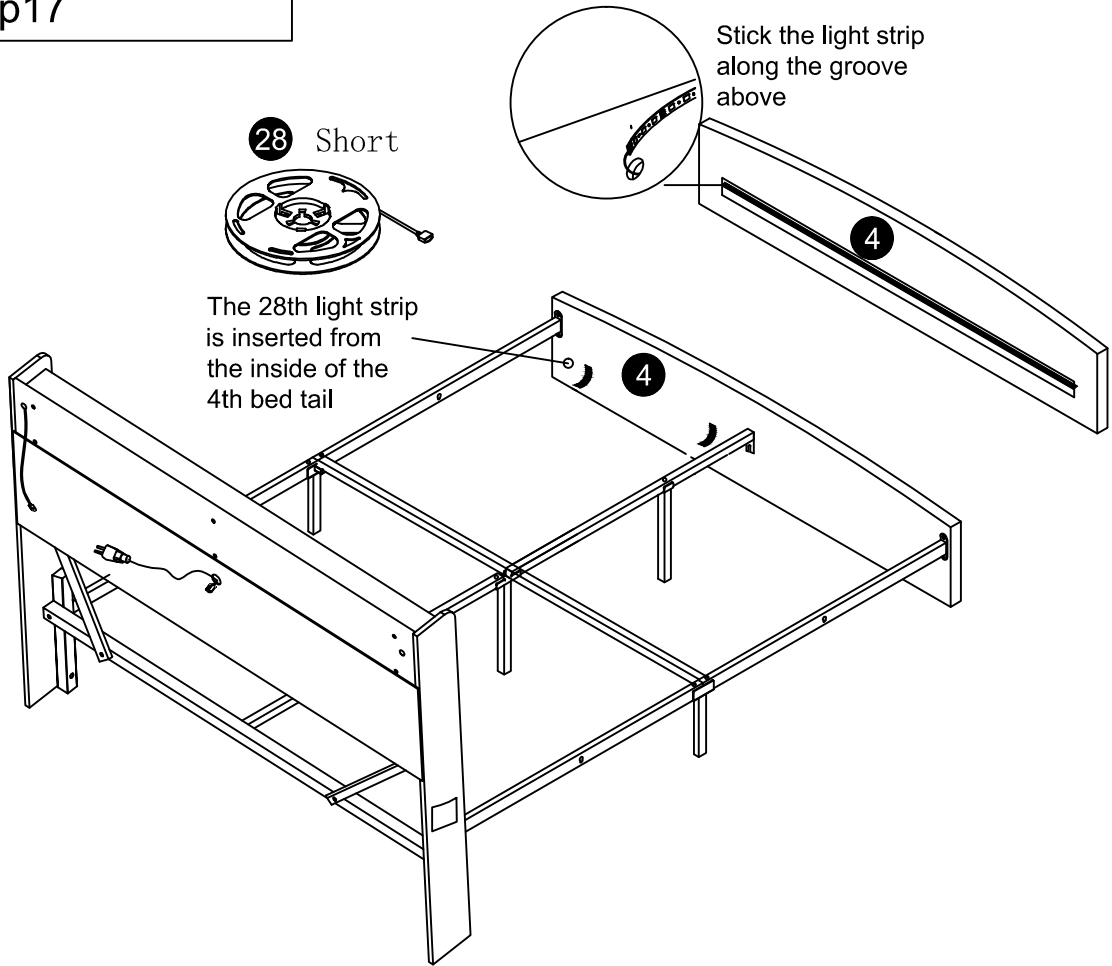


The light strip is fixed on the headboard

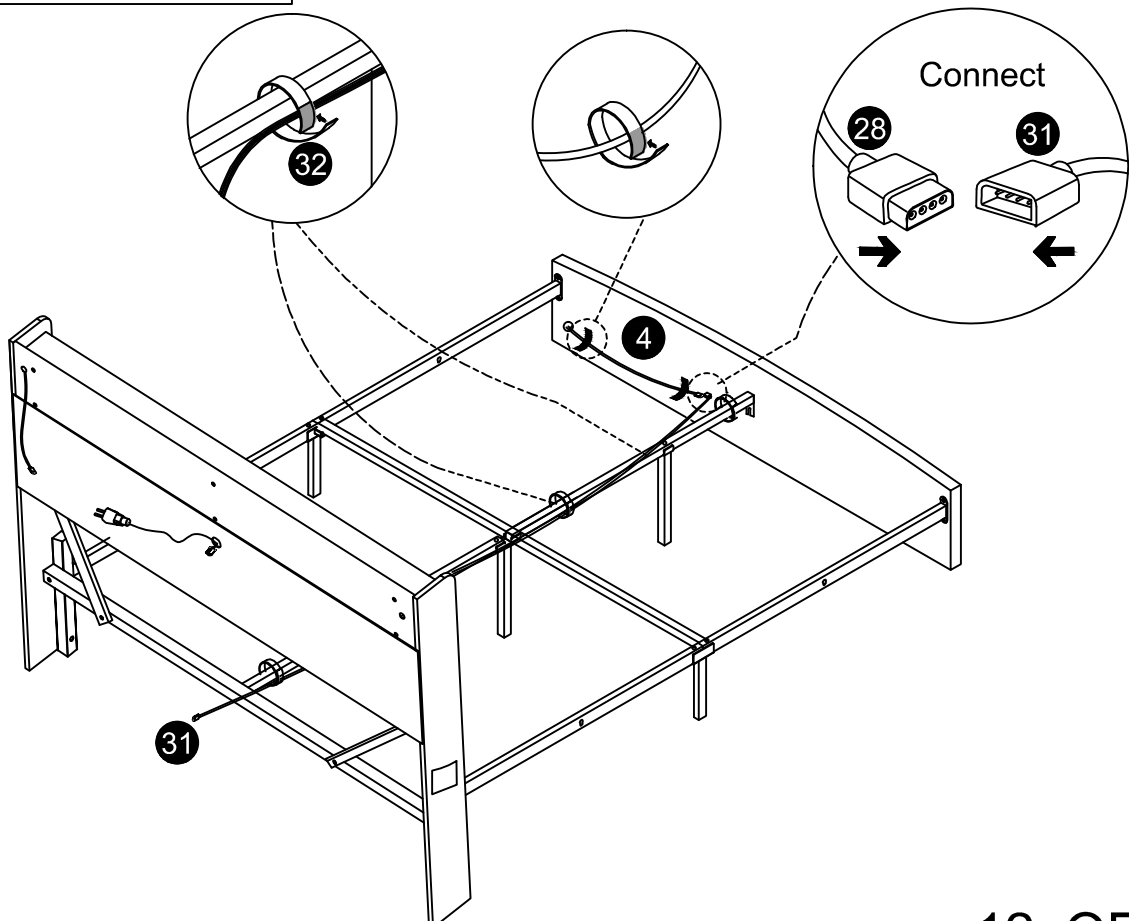
The 27th light strip is inserted from behind the 6th board



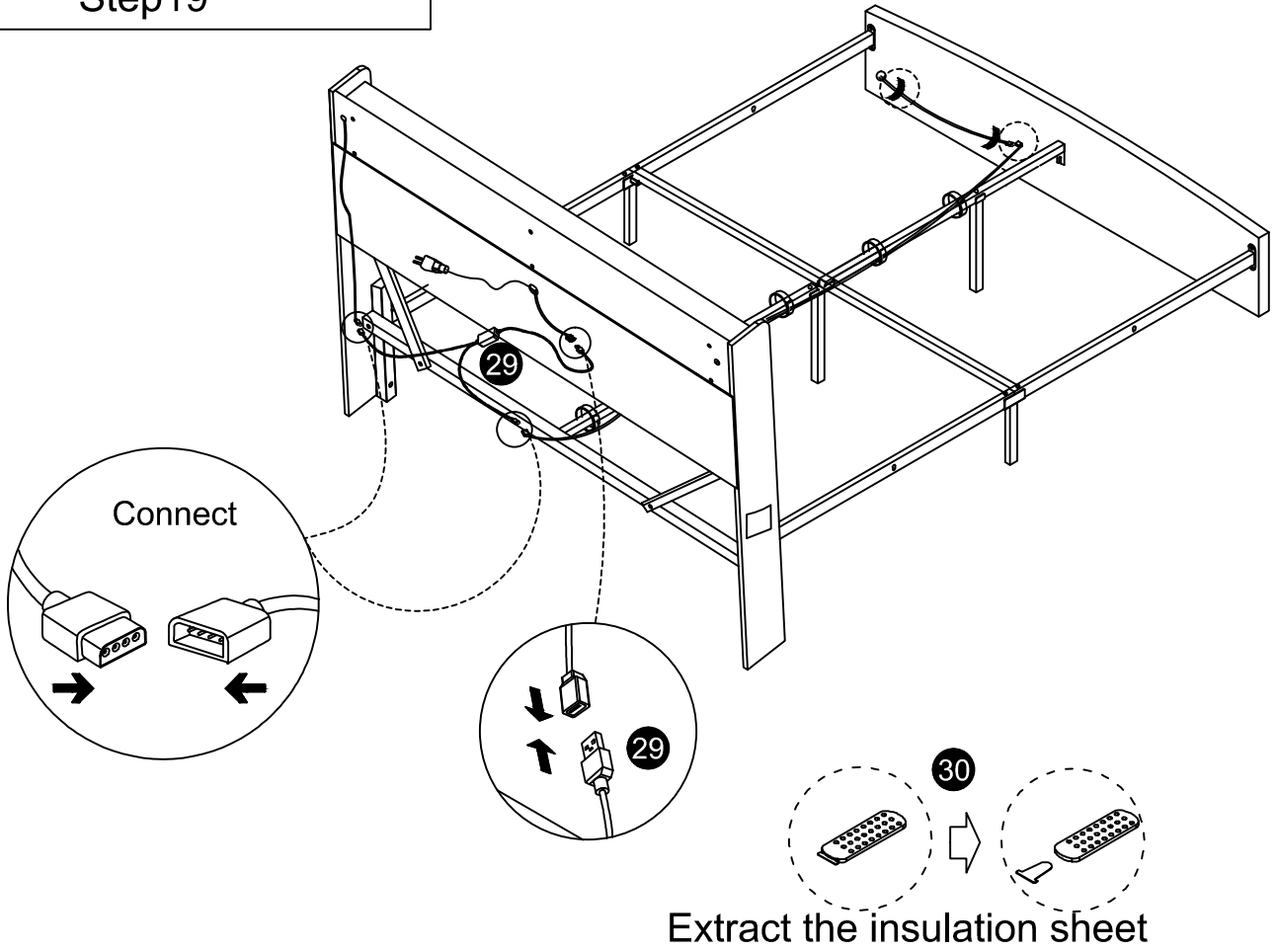
## Step17



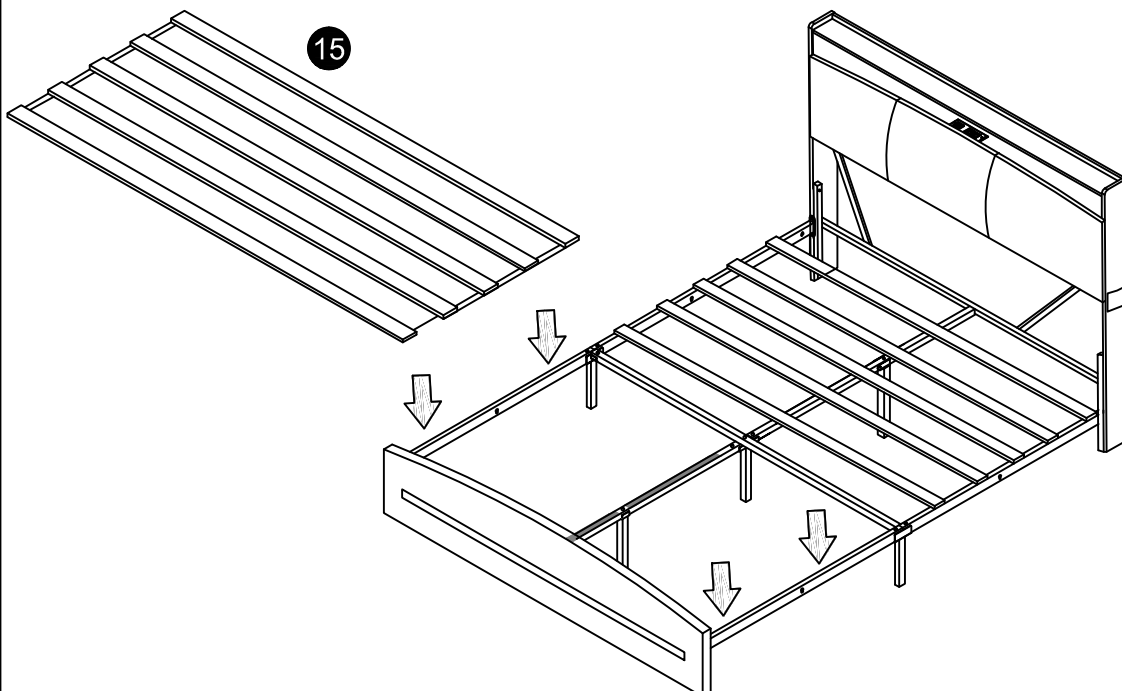
## Step18



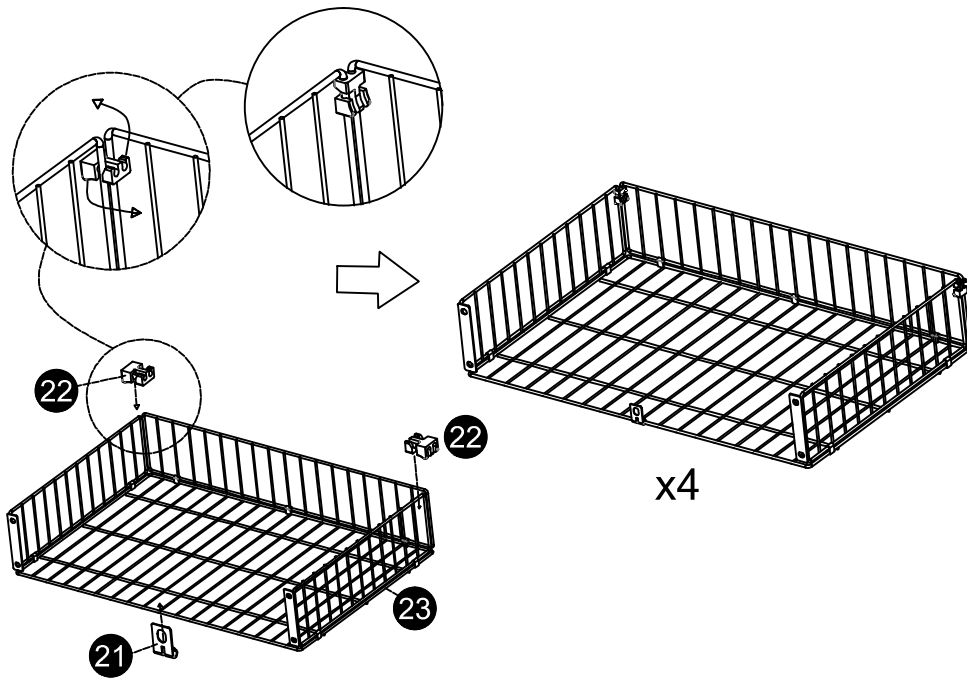
## Step19



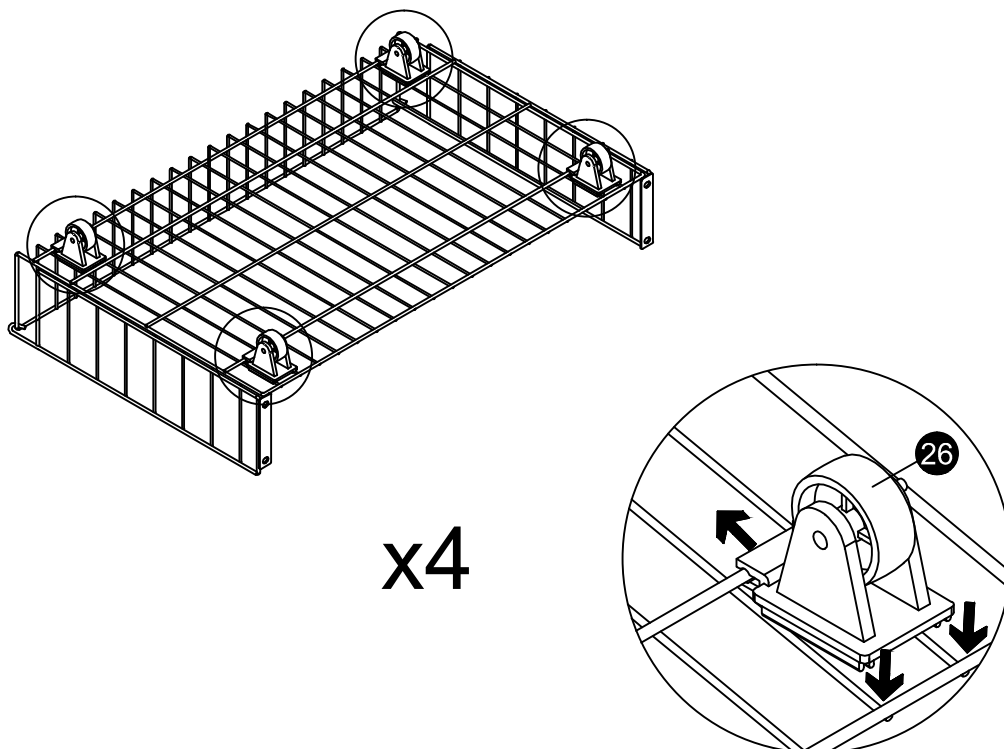
## Step20





Step21

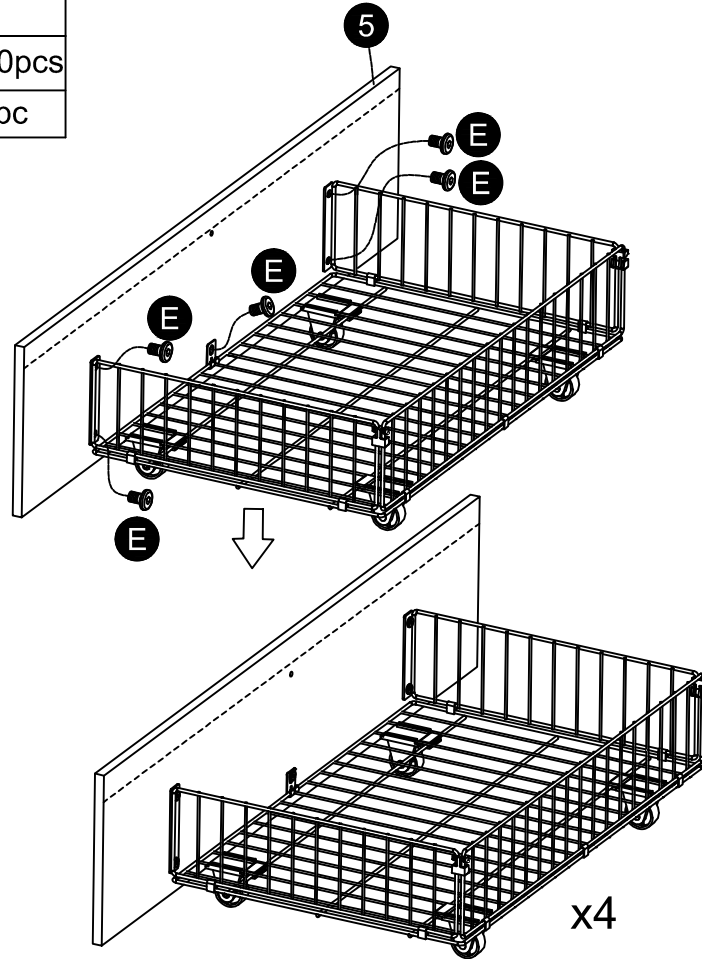


Step1 22





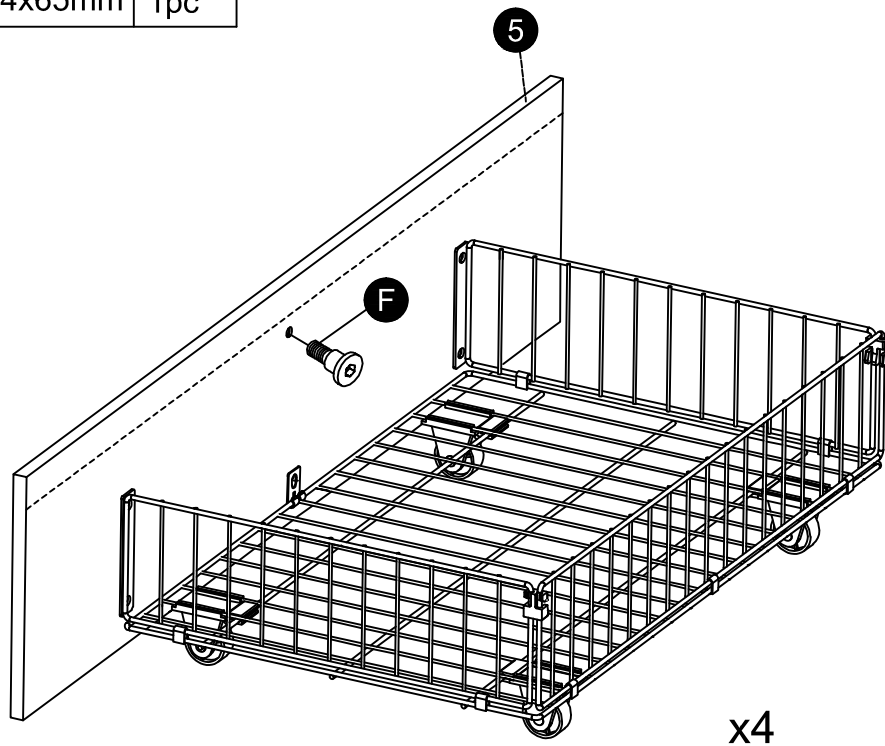
### Step 23

E		M6x12mm	20pcs
H		M4x65mm	1pc

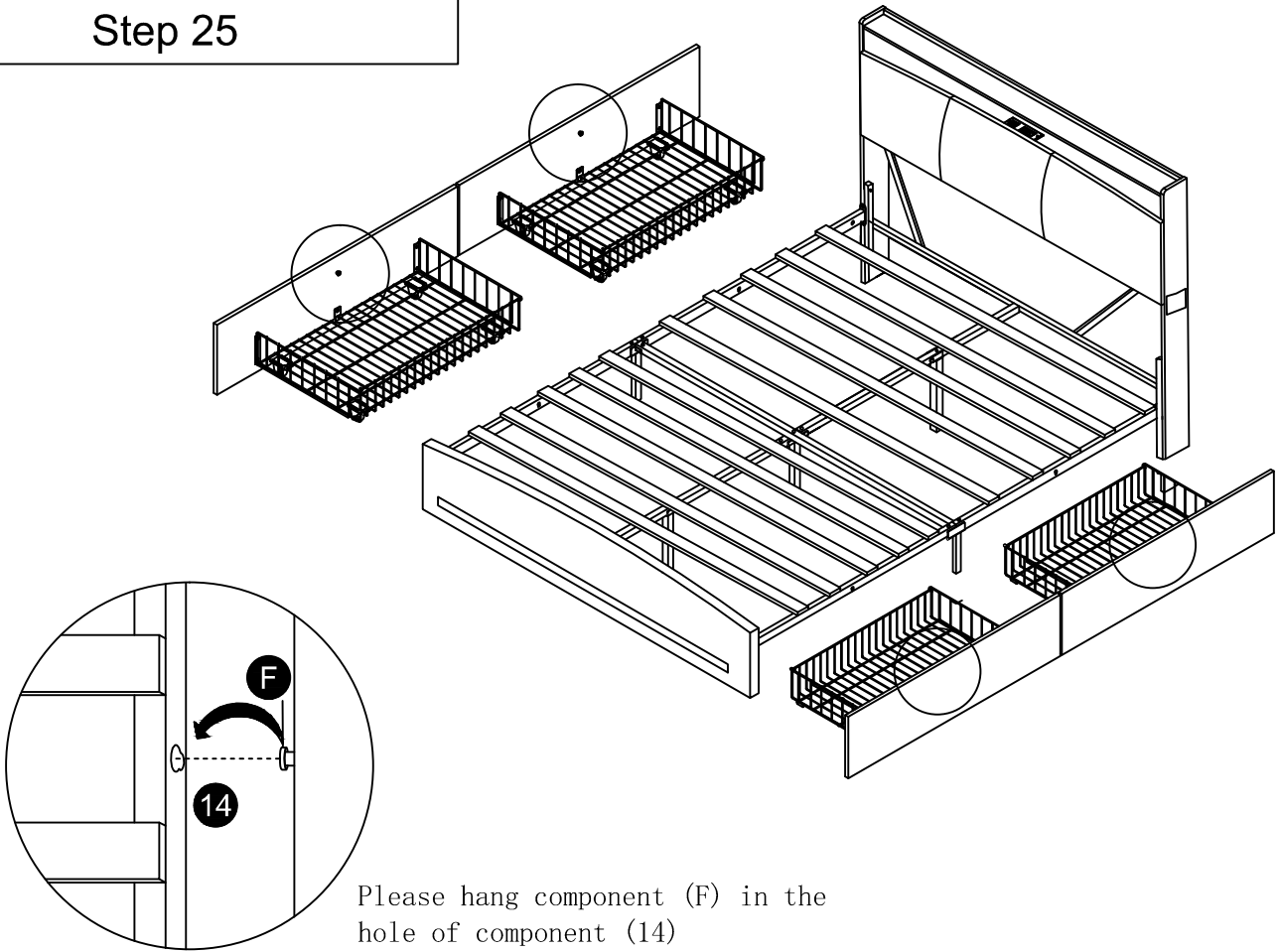


### Step 24

F		M6x20mm	4pcs
H		M4x65mm	1pc



## Step 25



## Step 26

