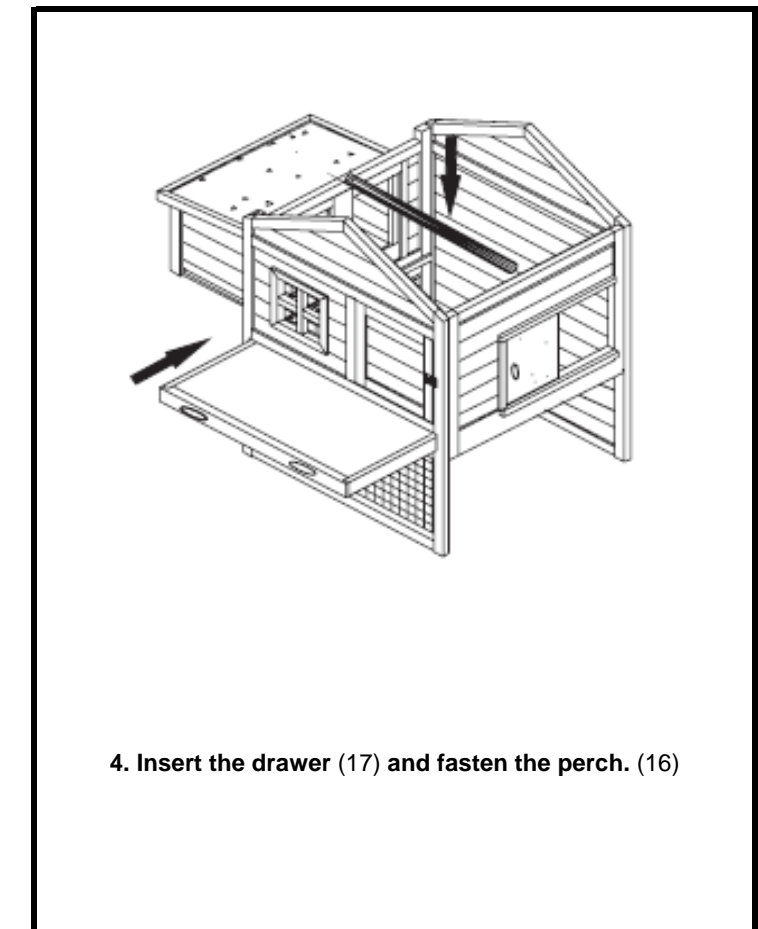
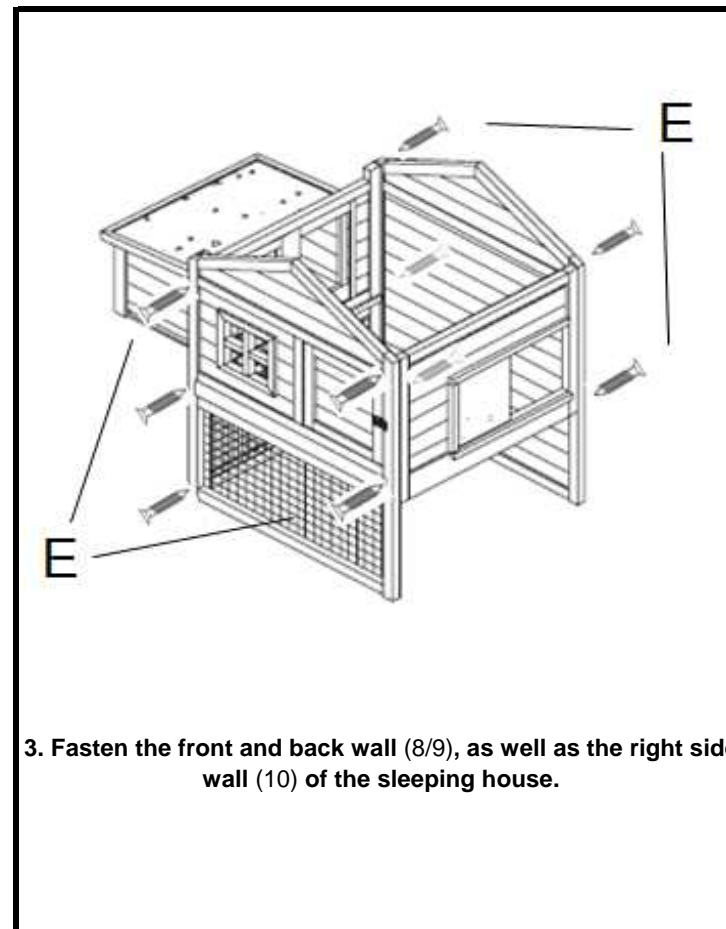
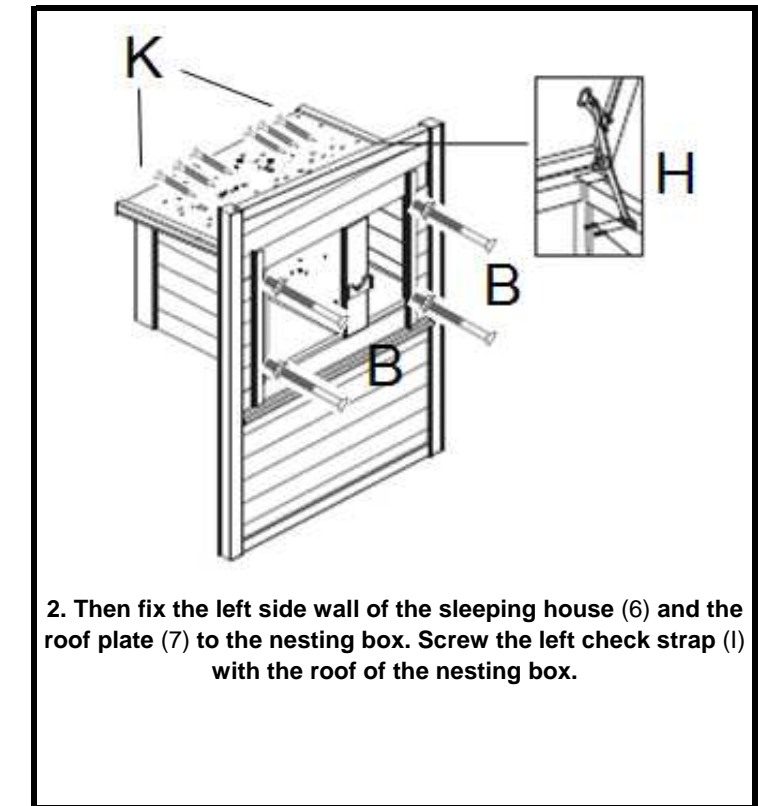
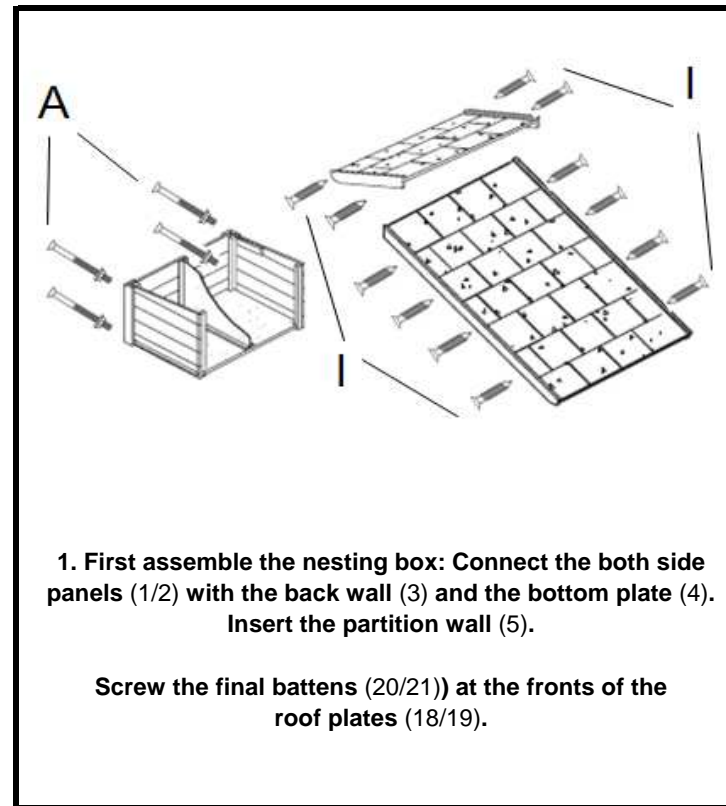



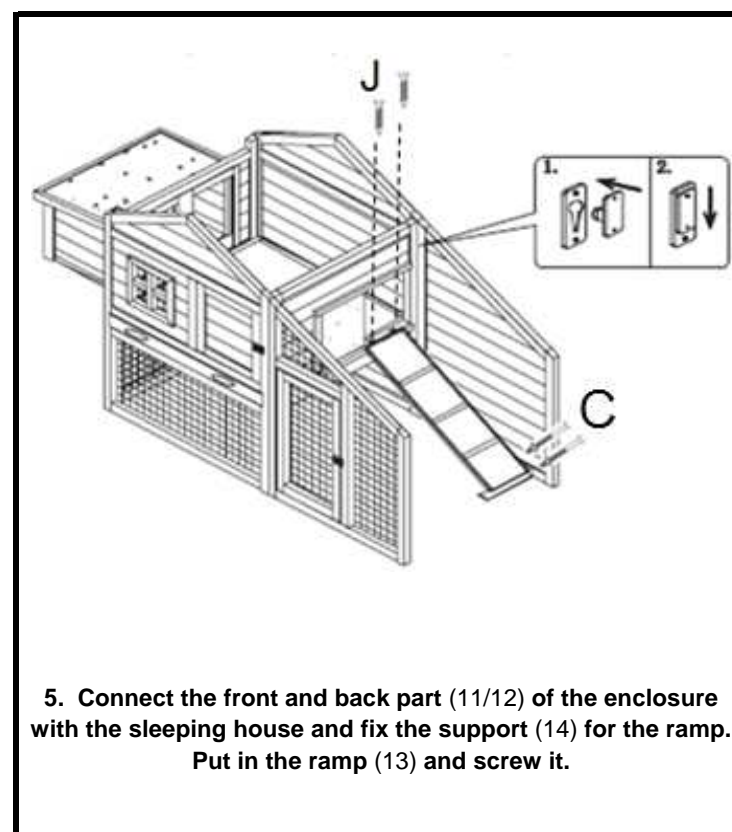


"natura" Chicken Hutch	175 x 107 x 80 cm
-------------------------------	--------------------------

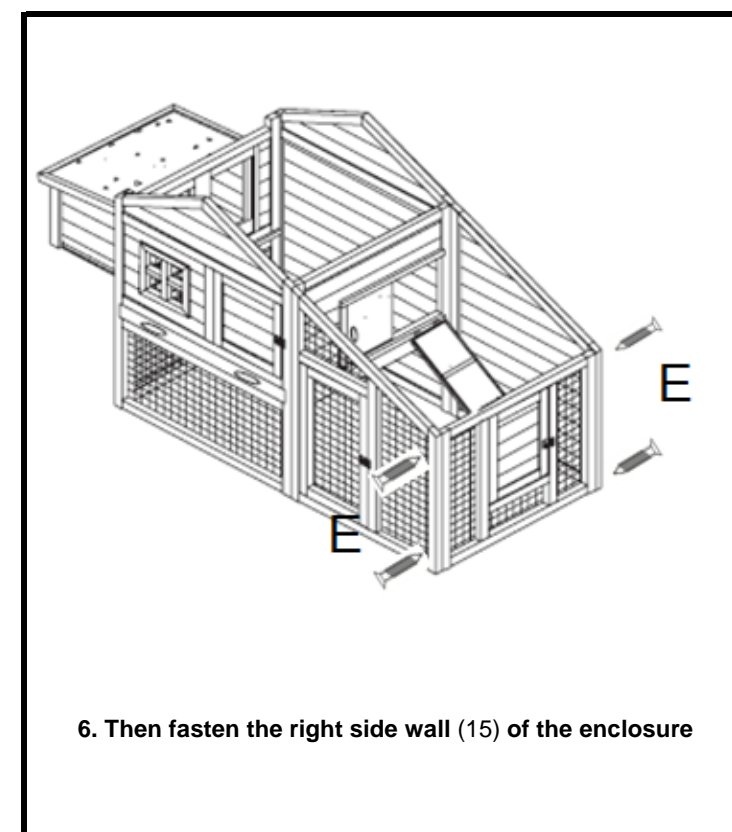
Pos. No.	Description	Measurement	Quantity
Pos. 1	Side panel, nesting box, left	362 x 303 x 40 mm	1
Pos. 2	Side panel, nesting box, right	362 x 303 x 40 mm	1
Pos. 3	Back wall, nesting box	30 x 271 x 510 mm	1
Pos. 4	Bottom plate, nesting box	338 x 15 x 487 mm	1
Pos. 5	Partition wall, nesting box	238 x 340 x 5 mm	1
Pos. 6	Wall, sleeping house, left	25 x 860 x 666 mm	1
Pos. 7	Roof plate, nesting box	382 x 30 x 576 mm	1
Pos. 8	Front part, sleeping house	764 x 1038 x 25 mm	1
Pos. 9	Back wall, sleeping house	764 x 1038 x 25 mm	1
Pos. 10	Wall, sleeping house, right	25 x 520 x 666 mm	1
Pos. 11	Front part, enclosure	860 x 630 x 25 mm	1
Pos. 12	Back part, enclosure	860 x 630 x 25 mm	1
Pos. 13	Ramp	654 x 18 x 170 mm	1
Pos. 14	Support for the ramp	32 x 30 x 215 mm	1
Pos. 15	Side wall, enclosure, right	25 x 566 x 666 mm	1
Pos. 16	Chicken perch	∅ 40 x 721 mm	1
Pos. 17	Drawer with plastic inlay	710 x 50 x 690 mm	1
Pos. 18/19	Roof plate, left/right	480 x 18 x 780 mm 1164 x 18 x 780 mm	1/1
Pos. 20/21	Final batten, roof left/right, front/back	485 x 60 x 25 mm 1169 x 60 x 25 mm	2/2
Pos. 22	Roof ridge	90 x 30 x 764 mm	1



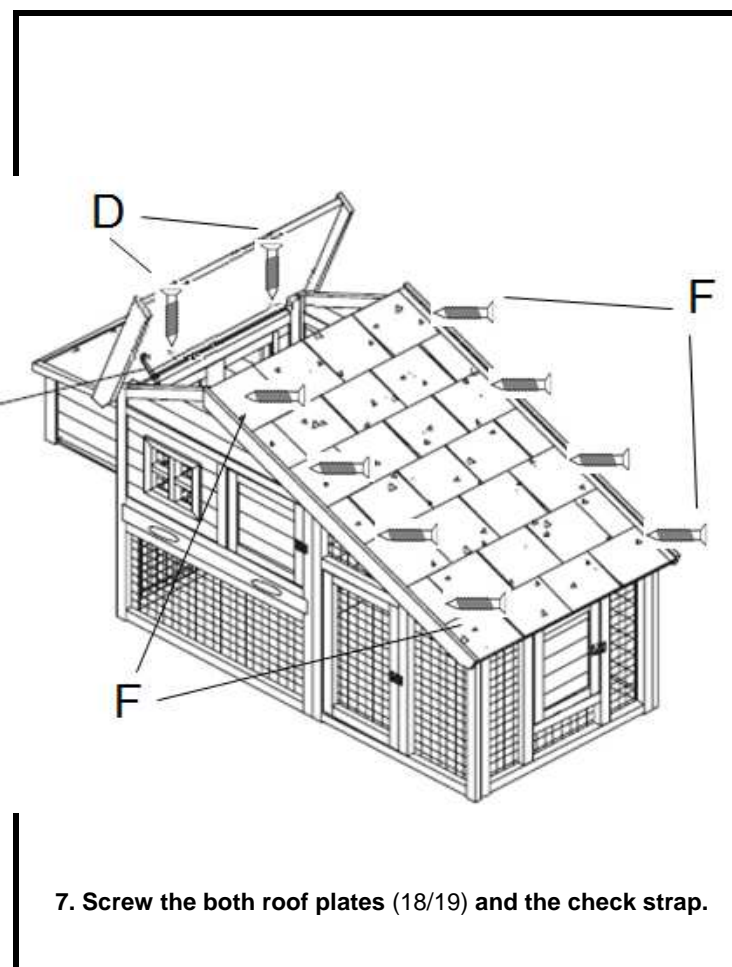
Small parts			
A		M6 x 50	5
B	Thread screw with nut 	M6 x 40	5
C		M4 x 35	3
D		M4 x 60	3
E		M4 x 50	15
F		M4 x 35	9
G		M4 x 25	3
H	Countersunk screw 	M4 x 16	9
I		M3,5 x 40	13
J		M3 x 16 (black)	3
K		M3 x 16	7
I	Check strap 		2



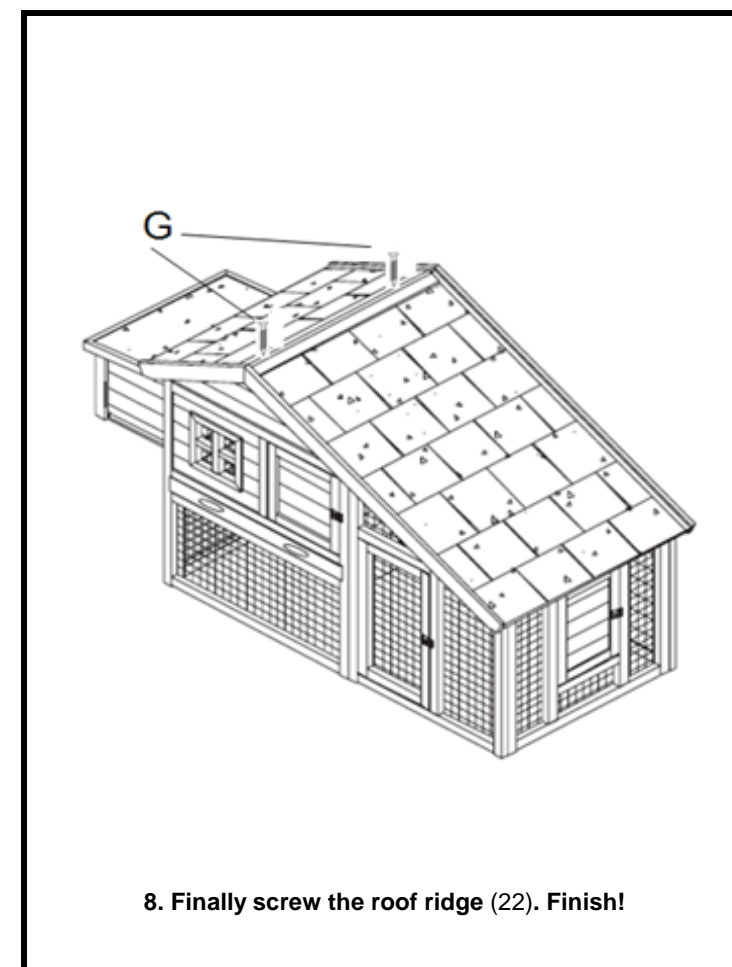
5. Connect the front and back part (11/12) of the enclosure with the sleeping house and fix the support (14) for the ramp. Put in the ramp (13) and screw it.



6. Then fasten the right side wall (15) of the enclosure



7. Screw the both roof plates (18/19) and the check strap.



8. Finally screw the roof ridge (22). Finish!