

## NOTICE

- \* Please make sure that you have all parts indicated and they are in good condition before you begin assembly of this item. Refer to part list and hardware list below for guidance.
- \* This item should be assembled on a soft surface to prevent scratching the finish during assembly.
- \* This item may require periodic tightening.
- \* If you are having difficulty, our friendly Customer Care team is always here to help. Please email

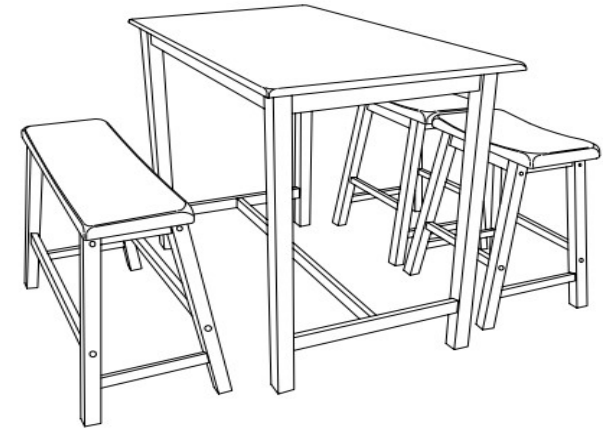
## PREPARATION

- \* Before beginning assembly of product, make sure all parts are present. Compare parts with part contents list and hardware contents list.
- \* If any part is missing or damaged, do not attempt to assemble the product.
- \* Estimated Assembly Time: 10 minutes.
- \* Tools Required for Assembly (included): None

## CARE AND MAINTENANCE

Adhesive felt pads should always be applied to areas of furniture which make direct contact with flooring, said application will prevent damage to the furniture and or surfaces on which the furniture lies. Objects placed on articles of furniture should rest on non abrasive material as to prevent damage to the wood finish. Objects whose composition consist of plastic and rubber are known to discolor and damage the wood surfaces on which they rest. Wipe up spills immediately and avoid common hazards such as hot dishes, harsh solvents and abrasives. Cleaning should be done with a soft lint free cotton cloth dampened with water or furniture polish. On highly used surfaces we recommend applying a quality paste wax which should be used on a regular basis to provide additional protection from scratches and spills. How often you apply the wax depends on how much the furniture wears.

PRODUCT DIMENSION: 24"W X 44"L X 36"H



Weight Capacity: 225LBS  
 Weight Capacity: 450LBS  
 WARNING: DO NOT STAND ON CHAIR

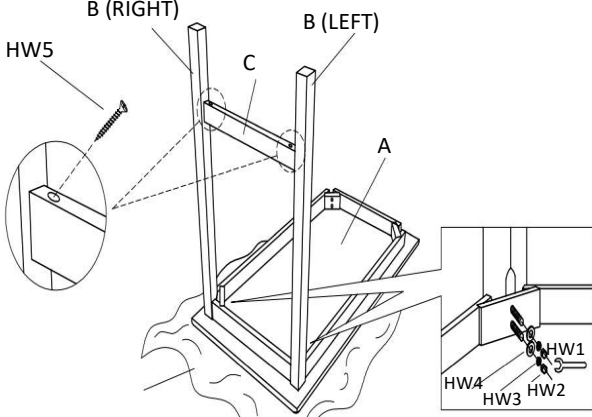
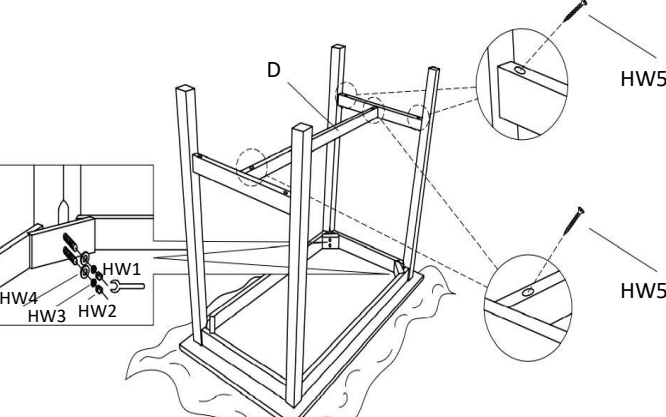
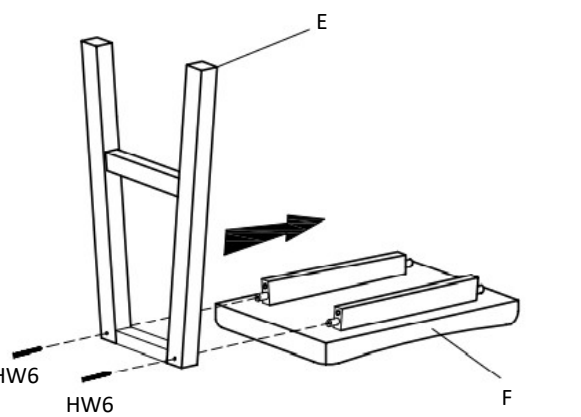
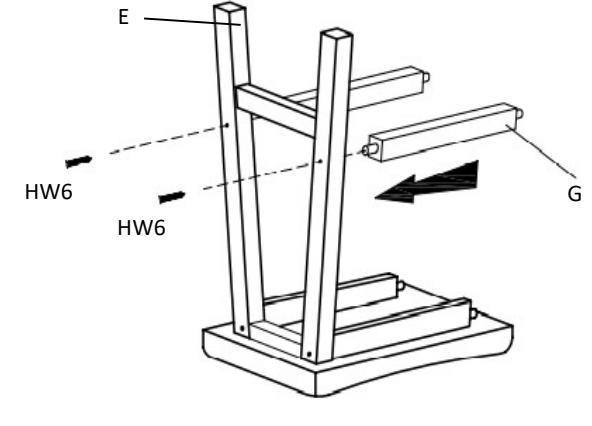
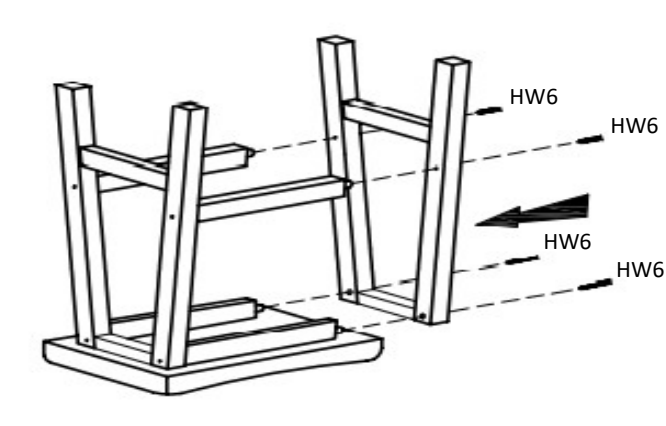
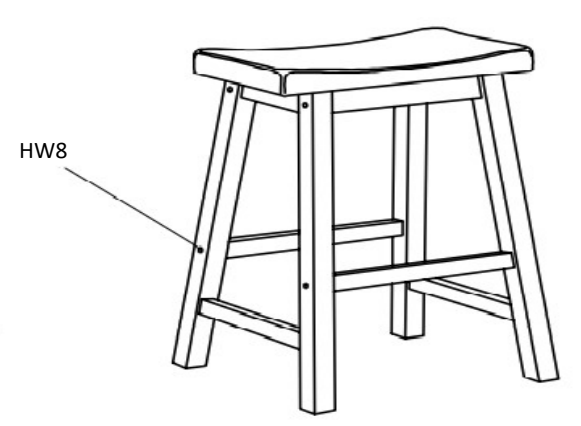
### Part List and Hardware List

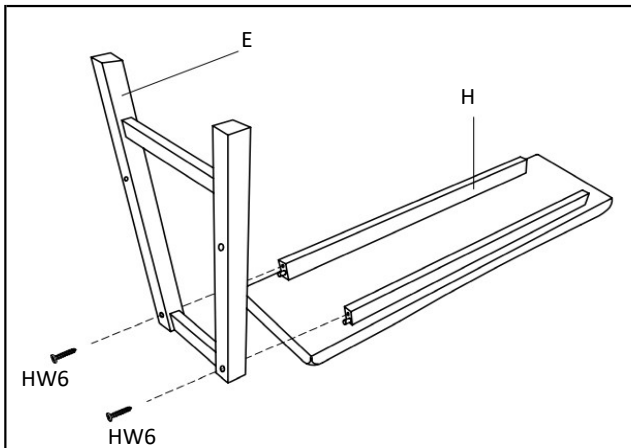
PIECE	DESCRIPTION	PICTURE	QUANTITY
A	TABLE TOP		1X
B	TABLE LEG (2 LEFT & 2 RIGHT)		4X
C	TABLE SHORT CROSSBAR		2X
D	TABLE LONG CROSSBAR		1X
E	LEG FRAME		6X
F	STOOL SEAT		2X
G	STOOL STRETCHER		4X
H	BENCH SEAT		1X
I	BENCH STRETCHER		2X

PIECE	DESCRIPTION	PICTURE	QUANTITY
HW1	SPANNER		1X
HW2	HEX NUT 5/16		8X
HW3	LOCK WASHER 5/16		8X
HW4	FLAT WASHER 5/16		8X
HW5	WOOD SCREW M4 X 38MM		6X
HW6	WOOD SCREW M7 X 50MM		24X
HW7	ALLEN WRENCH M4		1X
HW8	WOOD PLUG		24X

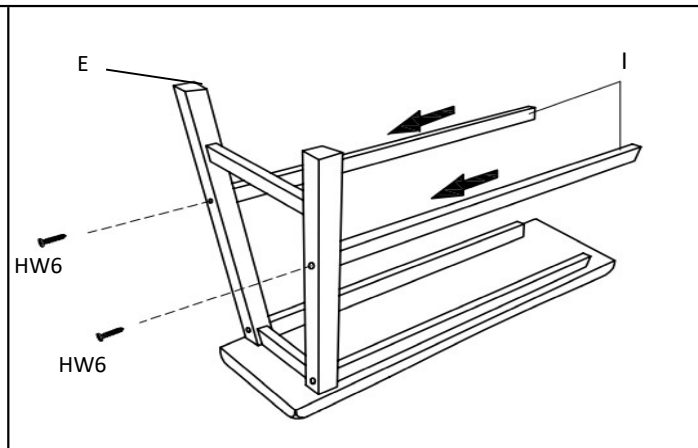
# PREPARATION

- \* Before beginning assembly of product, make sure all parts are present. Compare parts with part contents list and hardware contents list.
- \* If any part is missing or damaged, do not attempt to assemble the product.
- \* Estimated Assembly Time: 10 minutes.
- \* Tools Required for Assembly (included): None
- \* If you are having difficulty, our friendly Customer Care team is always here to help.

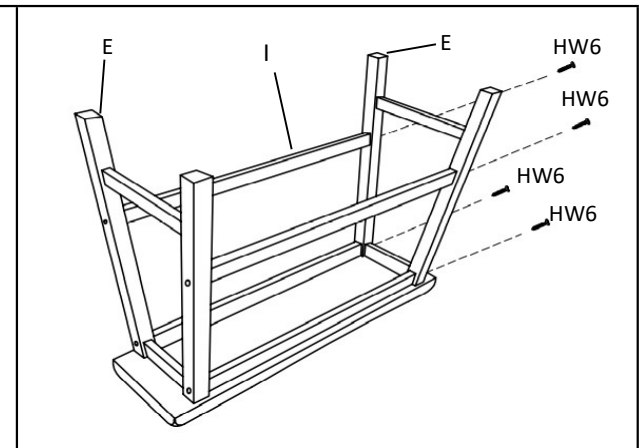
		
<p><b>STEP 1:</b> Attach Table Leg (B Right &amp; left) to Table Top (A) table short crossbar (C) using Flat Washer (HW4), Lock Washer (HW3) and Hex Nut (HW2) with Spanner (HW1).</p>	<p><b>STEP 2:</b> Repeat Step 1 to assemble the other three legs (B). Attach the table long crossbar (D) to the table short crossbar (C).</p>	<p><b>STEP 3:</b> Align and fasten leg frame (E) to seat (F) using screw (HW6) and tighten with Allen wrench (HW7).</p>
		
<p><b>STEP 4:</b> Align and fasten stretcher (G) to leg frame (E) using screw (HW6) and tighten with Allen wrench (HW7).</p>	<p><b>STEP 5:</b> Align and fasten the other leg frame (E) to stretcher and seat (F) using screw (HW6) and tighten with Allen wrench (HW7).</p>	<p><b>STEP 6:</b> Insert wood plug (HW8) into the hole on the leg.</p>



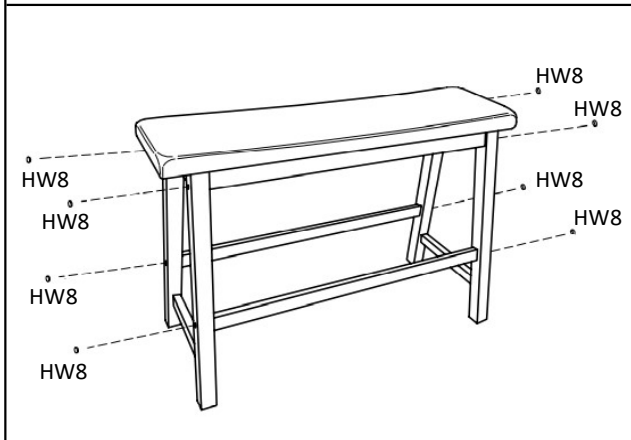
**STEP 7:** Place seat upside down smooth carpenter surface. Line up legs of leg frame (E) with screw holes on bottom of Bench Top (H) and attach with using JCBC screw(HW6).



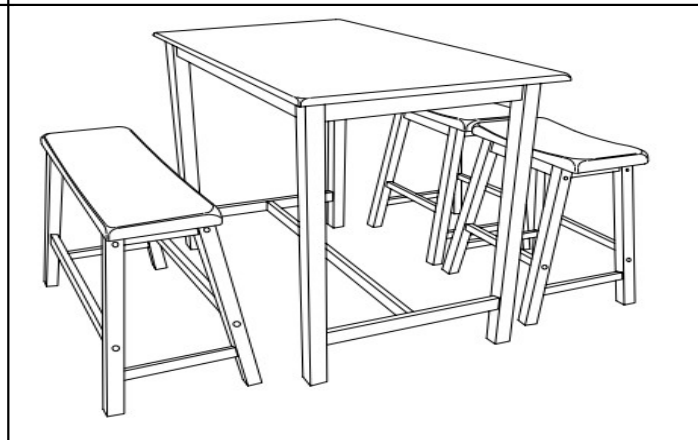
**STEP 8:** Insert cross bar (I) into leg frame (E) and secure with JCBC screw (HW6).



**STEP 9:** Line up of second leg frame (E) with screw holes on bottom of Bench Top (H) and attach using JCBC screw (HW6). Do not tighten these screw all the way until you insert the Cross Bar (I) when all holes are aligned. Tighten all remaining screw.



**STEP 10:** Do not tighten screw until fully assembled and level. Insert wood bottom (HW8) into every screw hole in leg.



Complete.