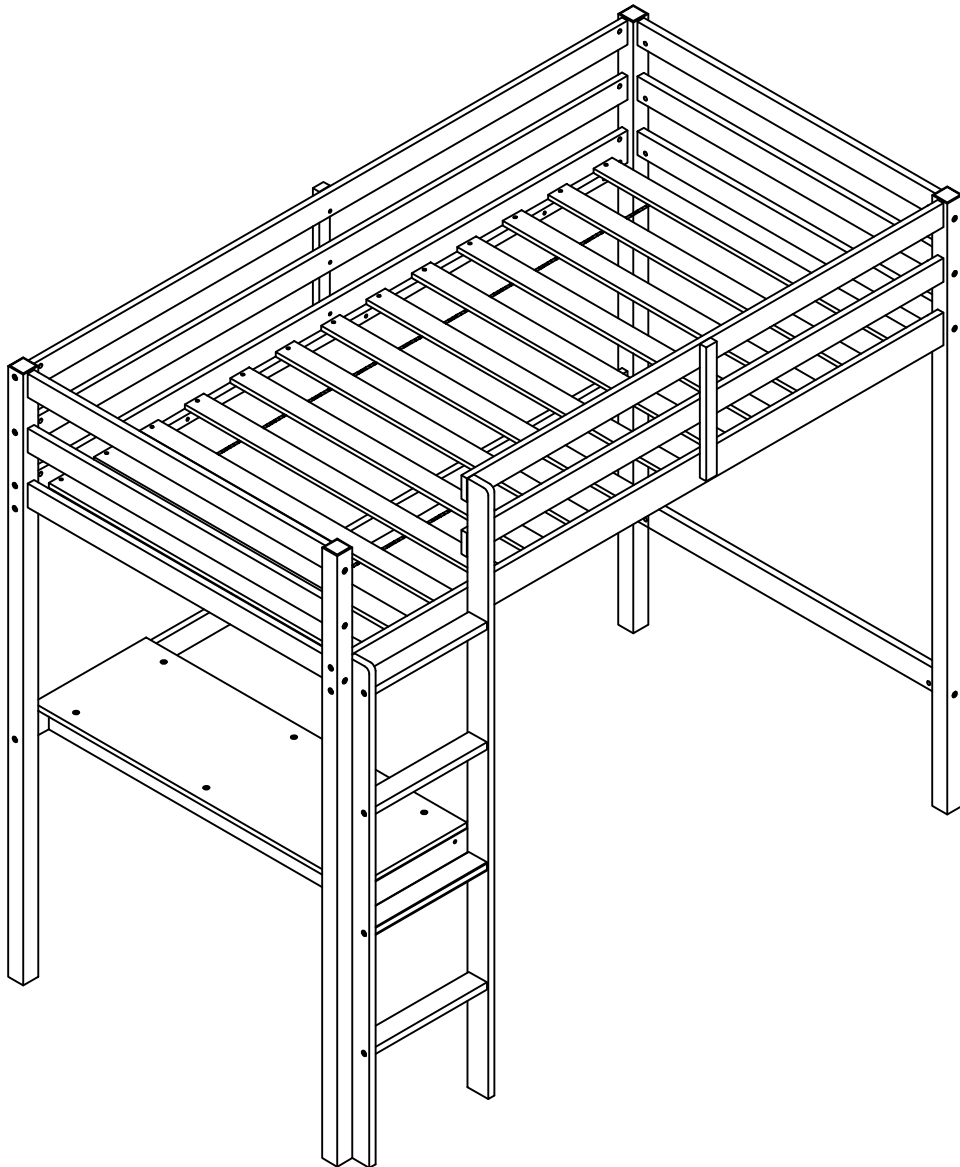


ASSEMBLY INSTRUCTIONS

TWIN LOFT BED BUNK WITH DESK



MK11737



SAFETY WARNING



1. This bed is designed for use only mattress (es) meeting the following specifications on the upper bunk, and lower bunk:

Down bed

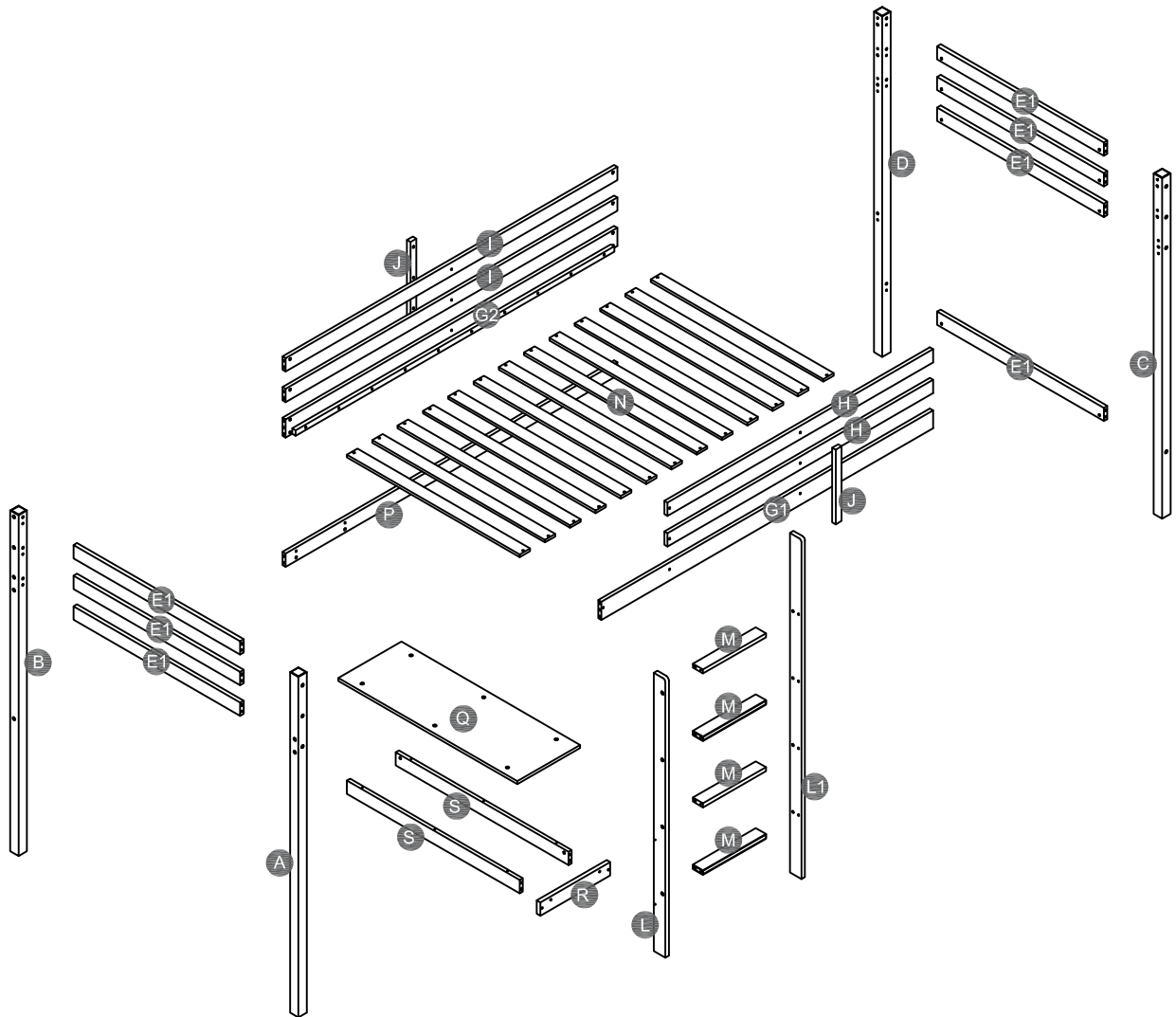
Bed type	Length	With	Thickness
Twin Standard	74"-75"	38 1/2"	8" max

Up bed (Bunk bed and tribed included)

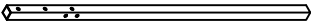
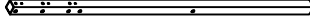
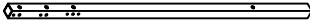
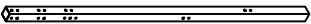
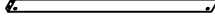
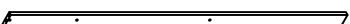






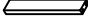


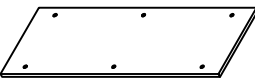
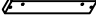
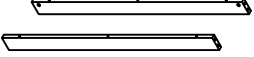
Bed type	Length	With	Thickness
Twin Standard	74"-75"	38 1/2"	6" max

2. Replacement parts, including additional guardrails, maybe obtained from any of our GigaCloud Technology , USA /18961 ARENTH AVENUE,CITY OF INDUSTRY , CA, 91748.
3. Follow the information on the warnings appearing on the upper bunk bed end structure and on the carton. Do not remove warning label from bed.
4. Always use the recommended size mattresses or mattress supports, or both, to help prevent the likelihood of entrapment or falls.
5. Surface of mattress must be at least 5" (127mm) below the upper edge of guardrails.
6. Do not allow children under 6 years of age to use the upper bunk.
7. Periodically check and ensure that the guardrail, ladder, and other components are in their proper position, free from damage, and that all connectors are tight.
8. Do not allow horseplay on or under the bed and prohibit jumping on the bed.
9. Always use the ladder for entering and leaving the upper bunk.
10. Do not use substitute part. Contact the manufacture or dealer for replacement part.
11. Use of a night light may provide added safety precaution for a child using the upper bunk.
12. Always use guardrails on both long sides of the upper bunk. If the bunk bed will be placed next to the wall, the guardrail that runs the full length of the bed should be placed against the wall to prevent entrapment between the bed and wall.
13. The use of water or sleep flotation mattresses is prohibited.
14. STRANGULATION HAZARD - Never attach or hang items to any part of the bunk bed that are not designed for use with the bed; for example, but not limited to, hook, belts and jump ropes.
15. Keep these instruction for future reference.


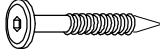
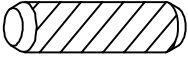
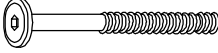

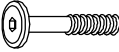

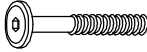


Detail View



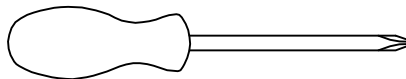
Part List

A  Leg (Left front) - 1pc	B  Leg (Left back) - 1pc	C  Leg (Right front) - 1pc
D  Leg (Right back) - 1pc	E1  Horizontal bar - 7pcs	G1  Side Rail Upper (Front) - 1pc
G2  Side Rail Upper (Back) - 1pc	H  Guardrail Upper (Front) - 2pcs	I  Guardrail Upper (Back) - 2pcs
J  Guardrail Spindle - 2pcs	L  Ladder Rail Left (Short) - 1pc	L1  Ladder Rail Right (Long) - 1pc
M  Ladder Step - 4pcs	N  Bed Slats - 1Set	P  Lower horizontal bar (Back) - 1pc
Q  Top panel - 1pc	R  Horizontal support (Front) - 1pc	S  Horizontal support - 2pcs

Hardware List

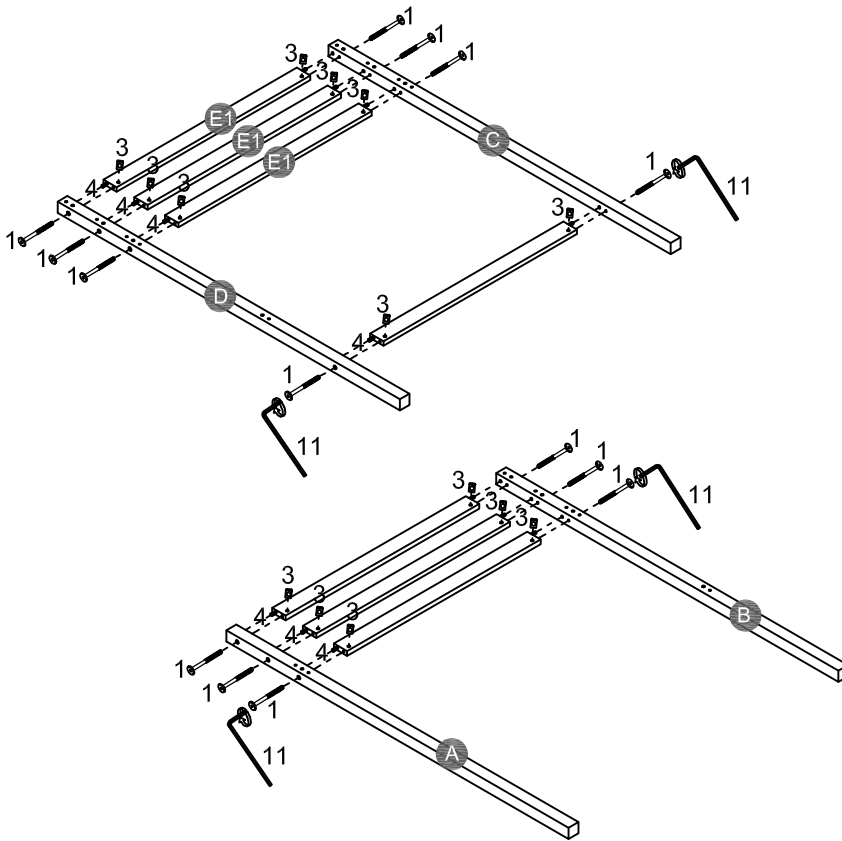
1  M6 x 90mm JCBC (30pcs)	2  M6 x 50mm JCBC-W (18pcs)	3  M6 x 15mm Barrel Nut (34pcs)
4  M10 x 30mm Wood Dowel (38pcs)	5  M6 x 60mm JCBC (4pcs)	6  M4 x 25mm CSK Screw (22pcs)
7  M6 x 30mm JCBC (6pcs)	8  M6 x 30mm JCBC-W (4pcs)	9  M6 x 45mm JCBC (2pcs)
10  M4 x 38mm CSK Screw (2pcs)	11  M4 Allen Key (1pc)	




ASSEMBLY TOOLS REQUIRED (NOT INCLUDED)

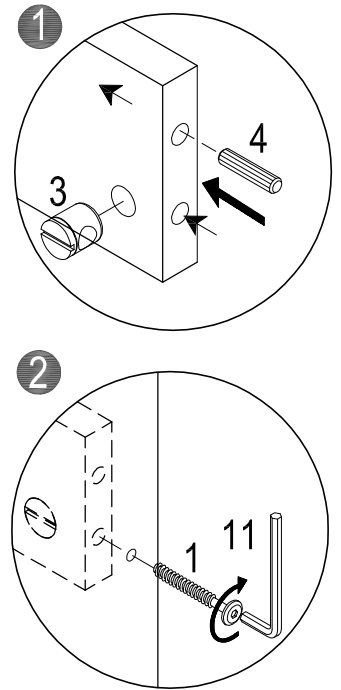


PLEASE BE CAREFUL DO NOT DAMAGE THE HOLE POSITION WHEN YOU USE POWER TOOLS !

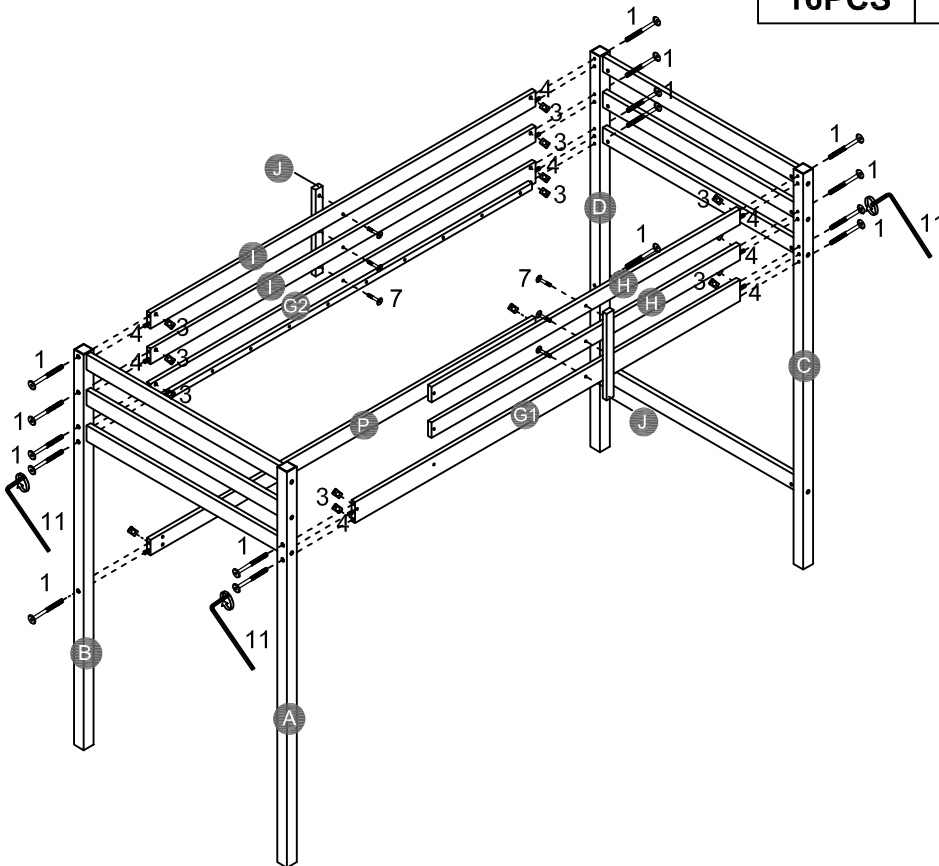
STEP 1:







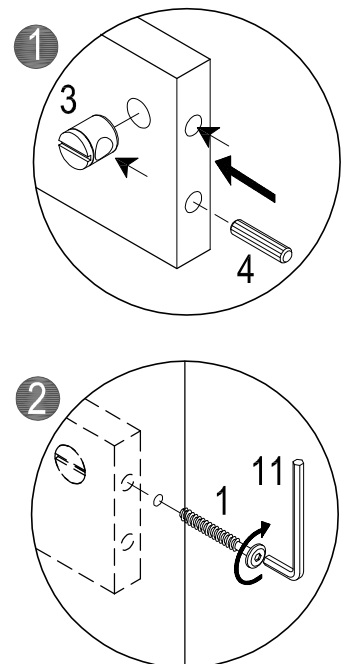
1		3		4	
14PCS		14PCS		14PCS	



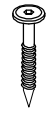

STEP 2:

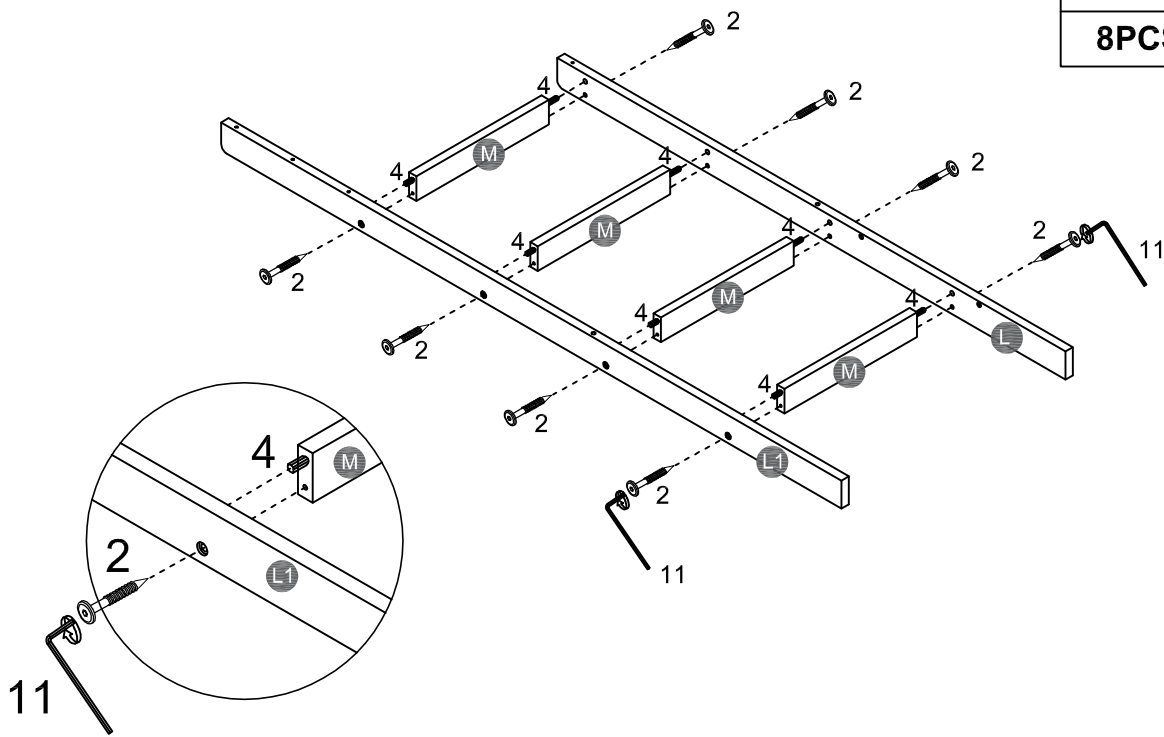


1		3		4		7	
16PCS		16PCS		12PCS		6PCS	




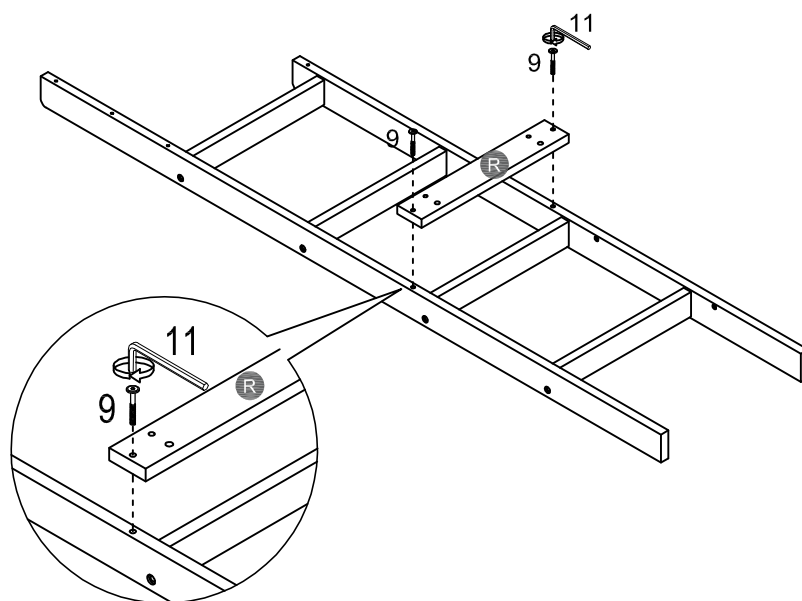
STEP 3:

2		4	
8PCS		8PCS	

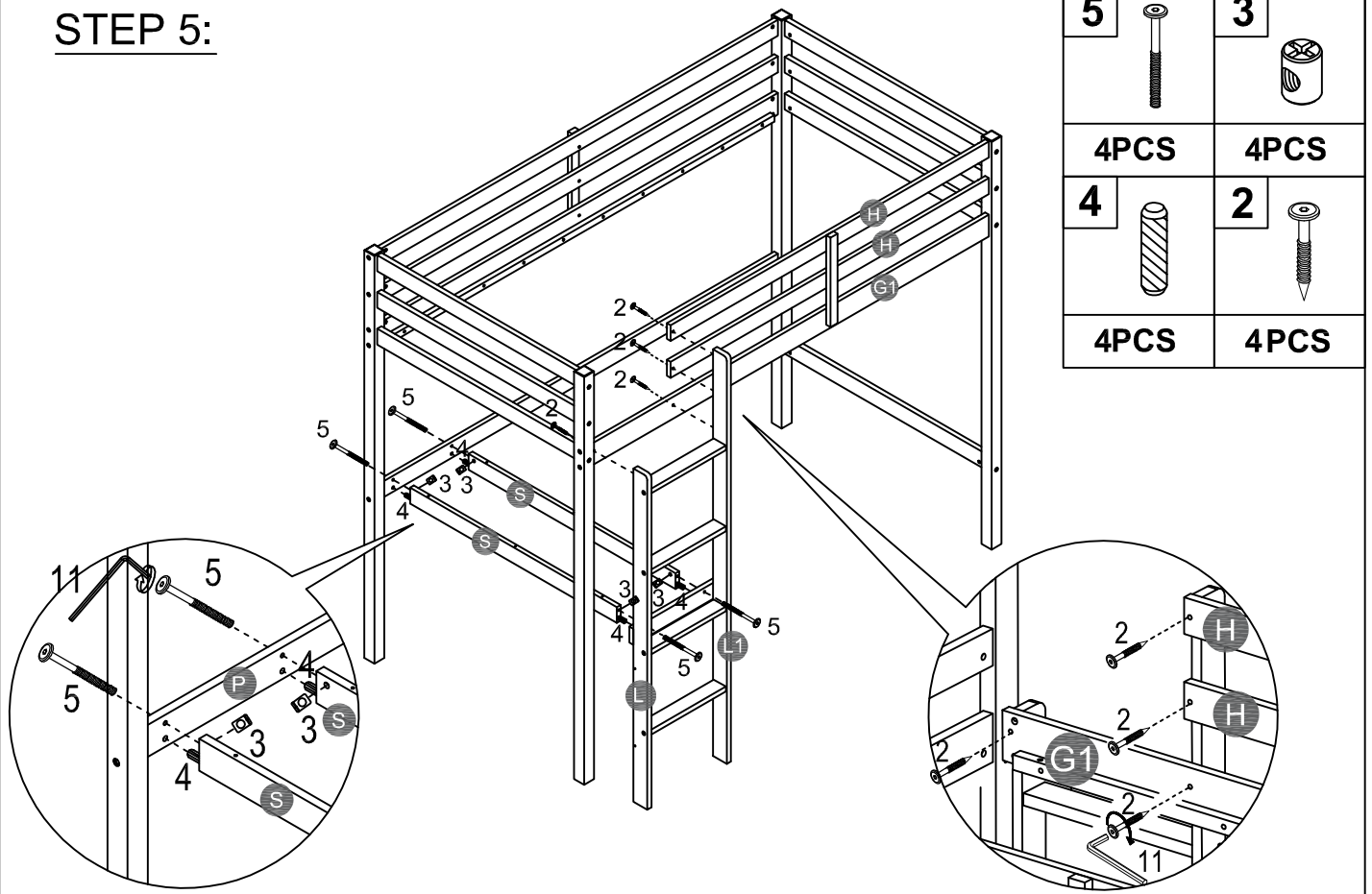


STEP 4:

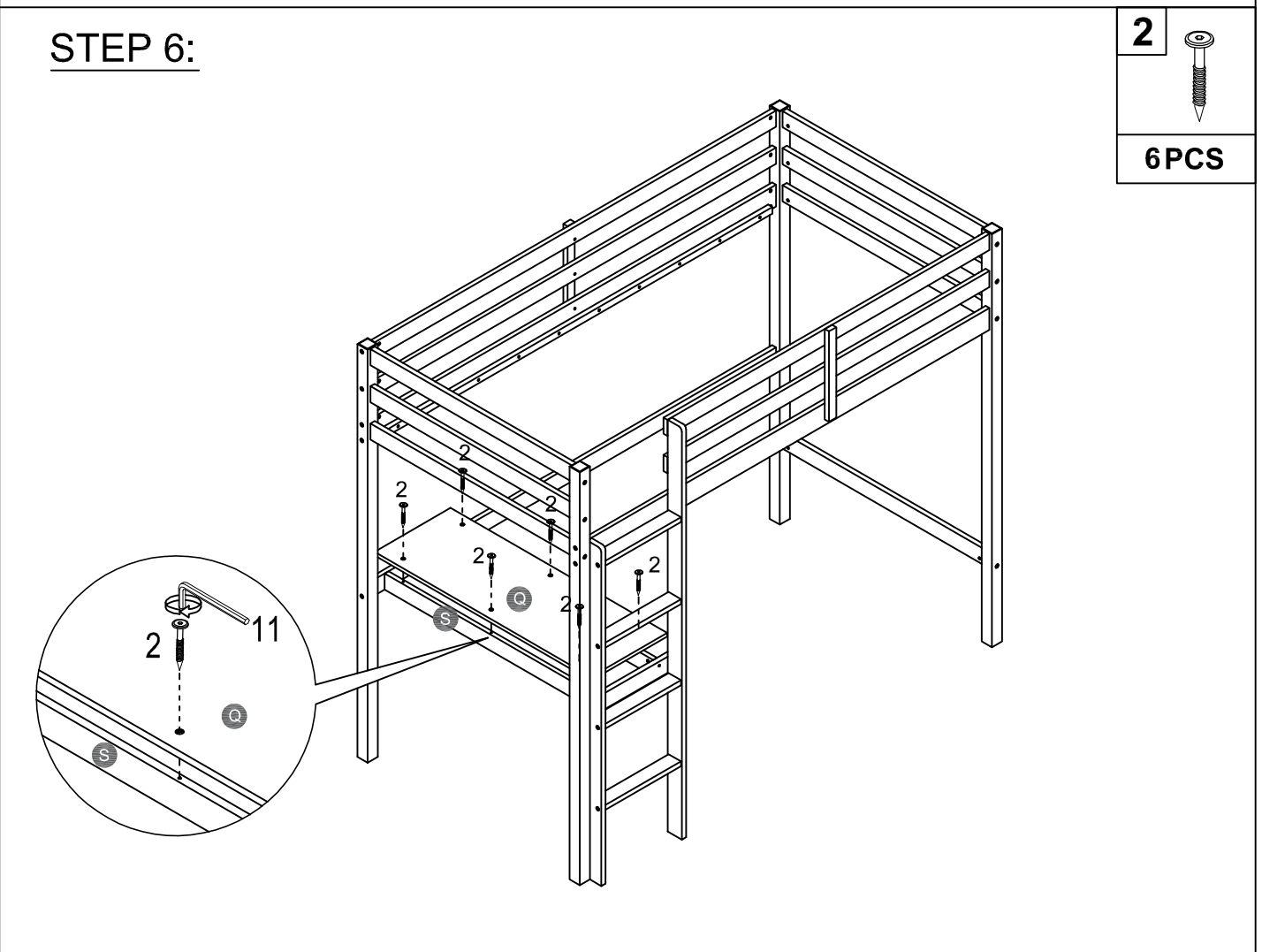
9	
2PCS	




STEP 5:

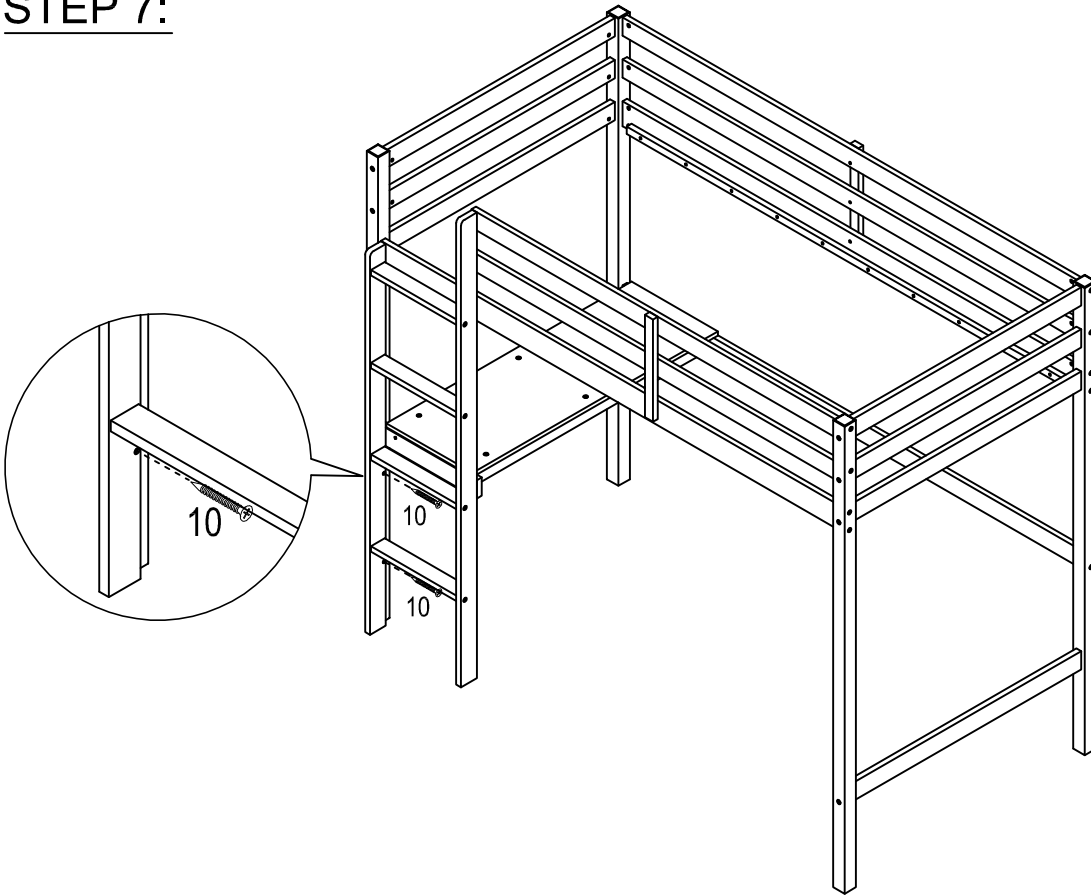


STEP 6:





STEP 7:

10	
2PCS	



STEP 8:

6		8	
22PCS		4PCS	

