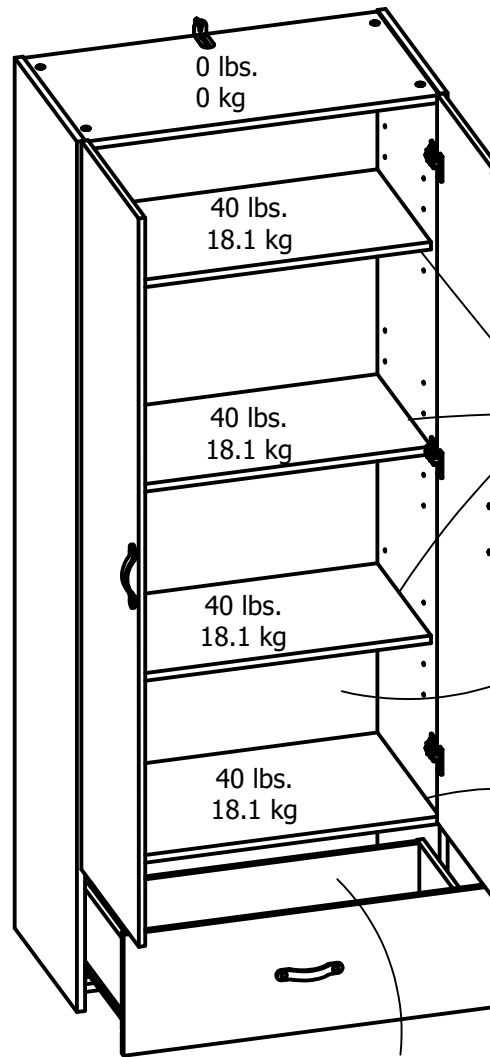
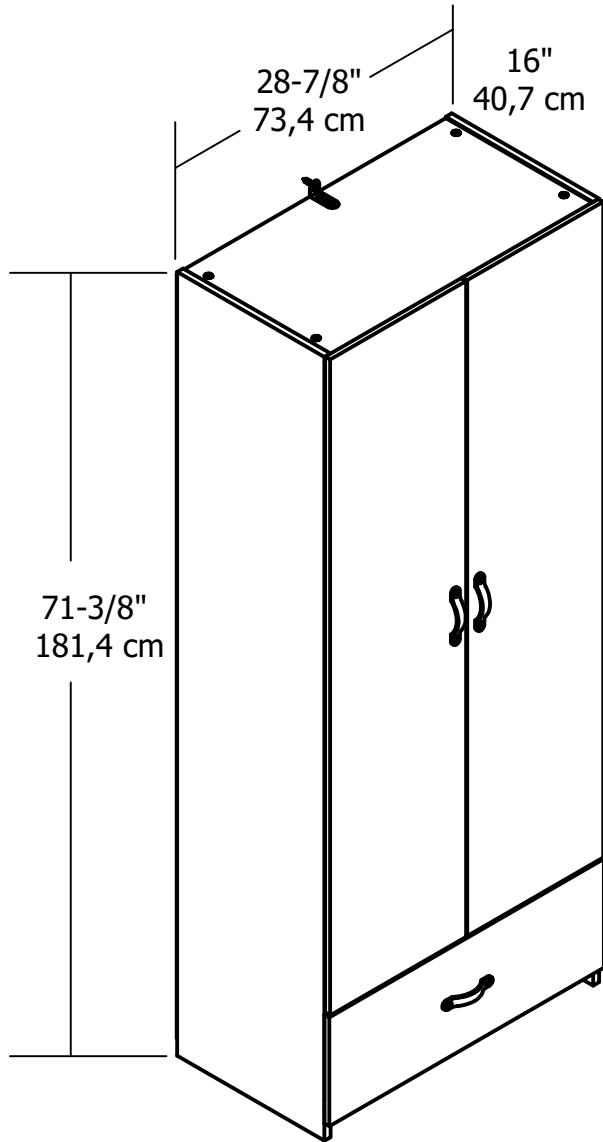


MODEL 9450333EBL - FINISH: SALINAS OAK (333)

Unit Weight: 124 lbs.

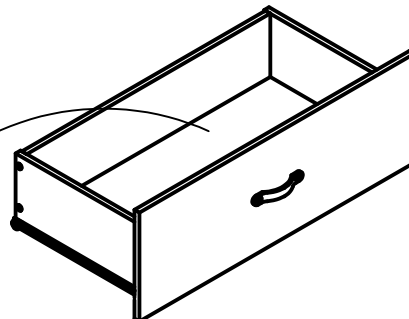


Adjustable Shelf: 27-5/8" W x 13-3/8" D

Total Height Opening (behind doors): 58-1/2" (148,7 cm)

Fixed Shelf: 27-5/8" W x 15-1/2" D

Drawer Box Size:
25-5/8" W x 13" D x 5-3/4" H



		PART NUMBER		DWG
		9450-333EBL		REV
TITLE				
Functional Drawing				
DRAWN	DATE	CHECKED	DATE	
FJK	2/17/2015			
MATERIAL:		COLOR:		
		SALINAS OAK (333)		
TOLERANCES:				
DIMENSIONS:				
X.	± .80mm	ALL DIMENSIONS ARE IN; MILLIMETERS		
.X	± .25mm			
.XX	± .13mm			
ANGLES	± 1/2°			
REV	ECO	CHANGE		DATE