

ASSEMBLY INSTRUCTIONS

EUROPA COLLECTION

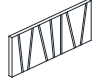

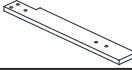
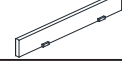


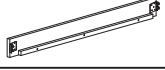






MODEL : B1840-115 EUROPA 6/6 EK HEADBOARD, FOOTBOARD & SLATS
 B1840-335 EUROPA 5/0-6/6 Q/EK SIDE RAILS
 B1840-215 EUROPA 6/0 WK HEADBOARD, FOOTBOARD & SLATS
 B1840-235 EUROPA 6/0 WK SIDE RAILS


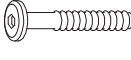
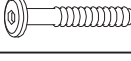
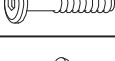


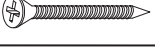




Thank you for purchasing this quality product. Be sure to check all packing materials carefully for small parts, which may have come loose inside the carton during shipment. Identify and count all items and compare with the parts list and/or hardware list shown below.

Please read all instructions carefully. See the hardware and furniture part listing for guidance. Be sure you have all parts listed before beginning assembly. Place all wooden parts on a clean, flat surface to protect the finish from scratches. Follow the diagram to assemble.

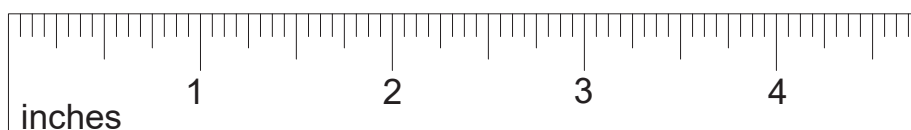
CAUTION

1. Do not fully tighten the nuts or bolts until the table is fully assembled.
2. Please tighten by hand, not by a drill. Overtightening will damage threads. Do not overtighten.
3. Keep all hardware out of the reach of children.

PARTS LIST			
ITEM	DESCRIPTION	SKETCH	QTY
A	HEADBOARD		1PC
B	HEADBOARD LEG (RSF)		1PC
C	HEADBOARD LEG (LSF)		1PC
D	FOOTBOARD		1PC
E	FOOTBOARD SUPPORT RAIL		2PCS
F	FOOTBOARD SUPPORT LEG		2PCS
G	SIDE RAIL with label (L)		1PC
H	SIDE RAIL with label (R)		1PC
I	SLAT		4PCS
J	SLAT SUPPORT LEG W/ADJUSTABLE FFET		8PCS
K	HEADBOARD SUPPORT RAIL		1PC
L	PLUG		1PC
M	WIRE		1PC

HARDWARE LIST			
ITEM	DESCRIPTION	SKETCH	QTY
1	BOLT M8 x 3/4"		8PCS
2	BOLT M8 x 2"		2PCS
3	BOLT M6 x 2"		14PCS
4	BOLT M6 x 1 3/8"		2PCS
5	SPRING WASHER - M6 x 1/2"		16PCS
6	FLAT WASHER - M6 x 3/4"		16PCS
7	CSK C/B SCREW - M4 x 1 1/4"		8PCS
8	ALLEN KEY M4		1PC
9	M5 ALLEN KEY M5		1PC
10	SPRING WASHER - M8 x 1/2"		2PCS
11	FLAT WASHER - M8 x 7/8"		2PCS

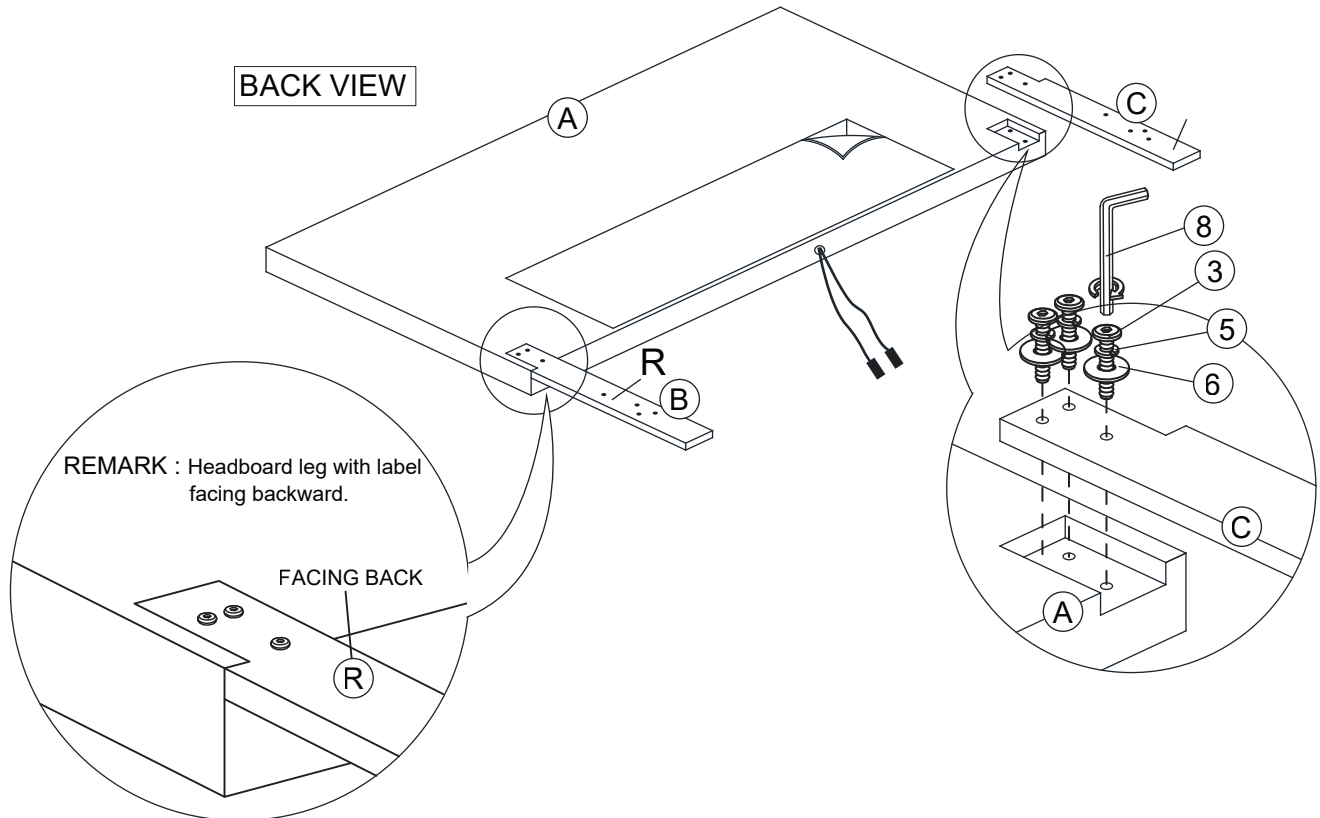
HARDWARE DIMENSIONS
VERIFICATION TOOL



ASSEMBLY INSTRUCTIONS EUROPA COLLECTION

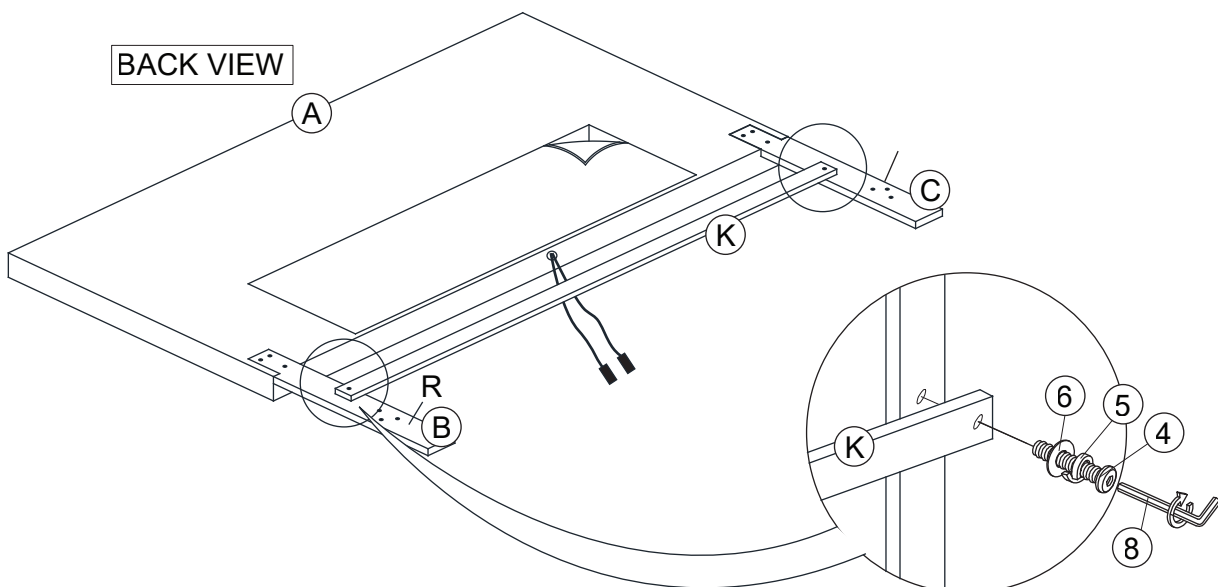
MODEL : B1840-115 EUROPA 6/6 EK HEADBOARD, FOOTBOARD & SLATS
 B1840-335 EUROPA 5/0-6/6 Q/EK SIDE RAILS
 B1840-215 EUROPA 6/0 WK HEADBOARD, FOOTBOARD & SLATS
 B1840-235 EUROPA 6/0 WK SIDE RAILS

STEP 1: Place the Headboard (A) face down on a soft and clean area.
 Assemble RSF Headboard Leg (B) and LSF Headboard Leg (C) to the Headboard (A) by using Allen Key (8) with hardware 3, 5 and 6.



Attention: DO NOT OVER TIGHTEN THE BOLTS.

STEP 2: Assemble Headboard Support Rail (K) to the RSF Headboard leg (B) and RSF Headboard leg (C) by using Allen Key (8) with hardware 4, 5, and 6.



Attention: DO NOT OVER TIGHTEN THE BOLTS.

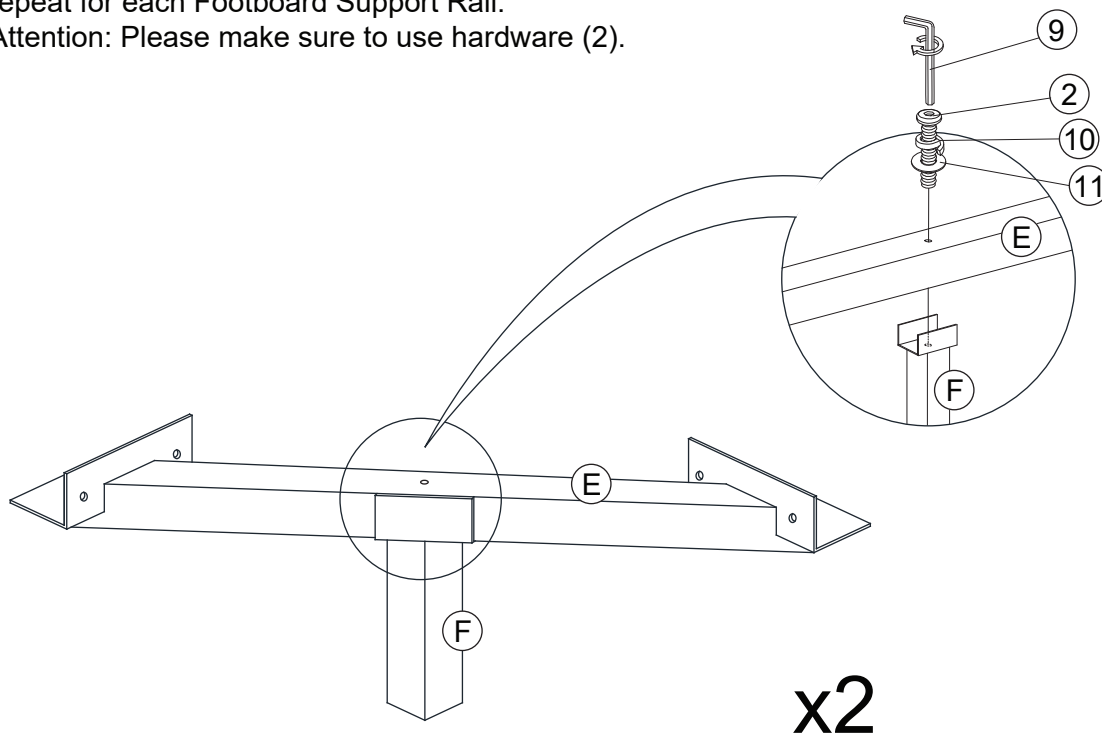
ASSEMBLY INSTRUCTIONS EUROPA COLLECTION

MODEL : B1840-115 EUROPA 6/6 EK HEADBOARD, FOOTBOARD & SLATS
 B1840-335 EUROPA 5/0-6/6 Q/EK SIDE RAILS
 B1840-215 EUROPA 6/0 WK HEADBOARD, FOOTBOARD & SLATS
 B1840-235 EUROPA 6/0 WK SIDE RAILS

STEP 3 : Assemble the Footboard Support Leg (F) with the Footboard Support Rail (E) by using Allen Key (9) with hardware 2, 10, and 11.

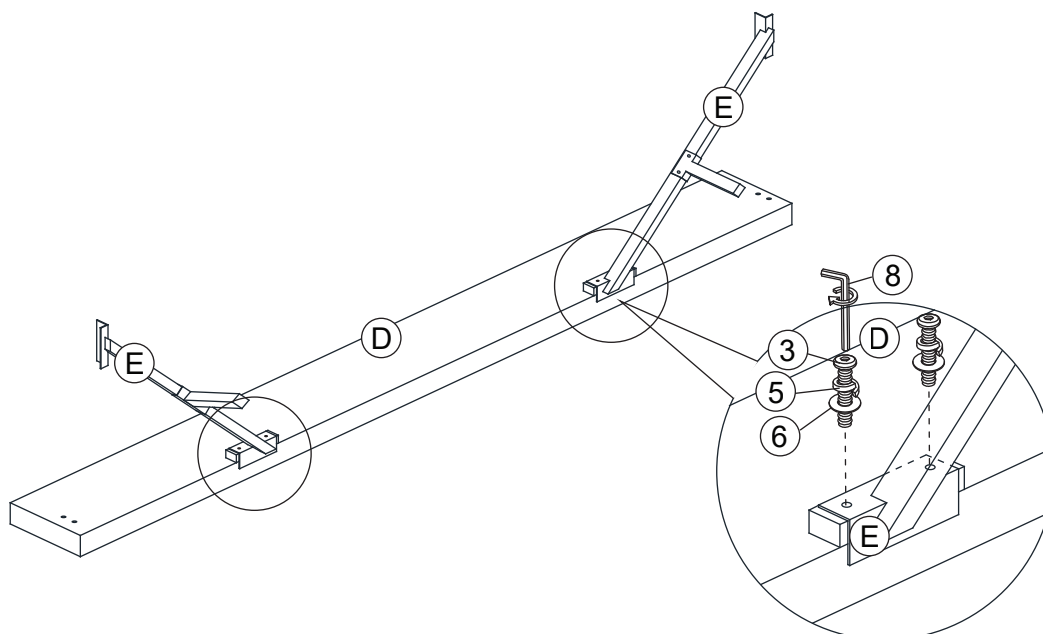
Repeat for each Footboard Support Rail.

*Attention: Please make sure to use hardware (2).



STEP 4 : Place the Footboard (D) face down on a soft and clean area.

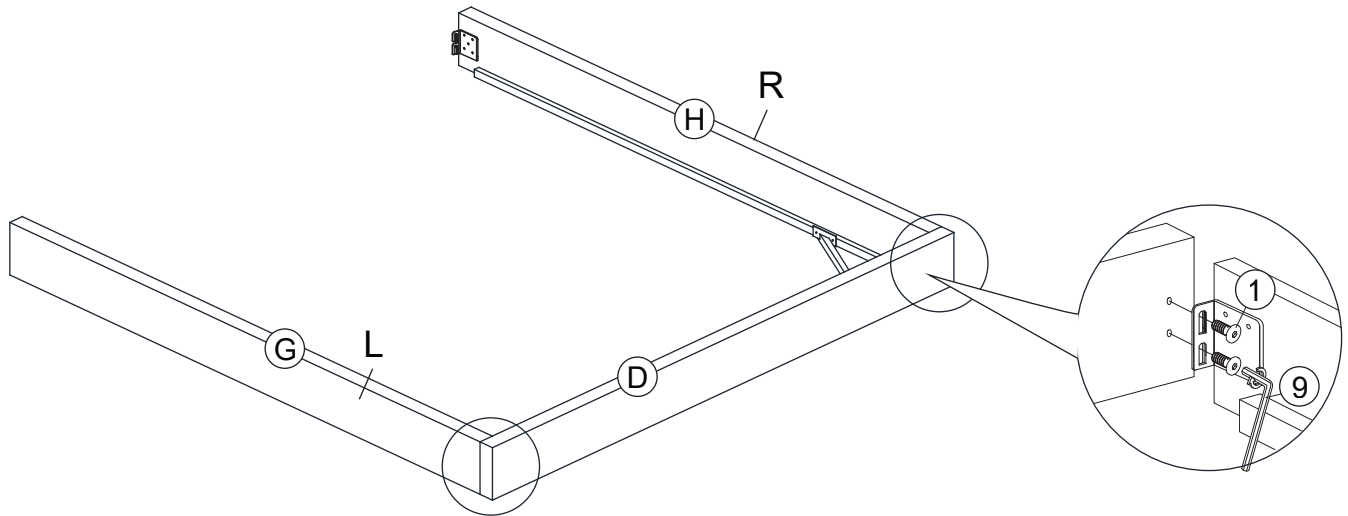
Assemble the Footboard Support Rail (E) to the Footboard (D) by using Allen Key (8) with hardware 3, 5, and 6



ASSEMBLY INSTRUCTIONS EUROPA COLLECTION

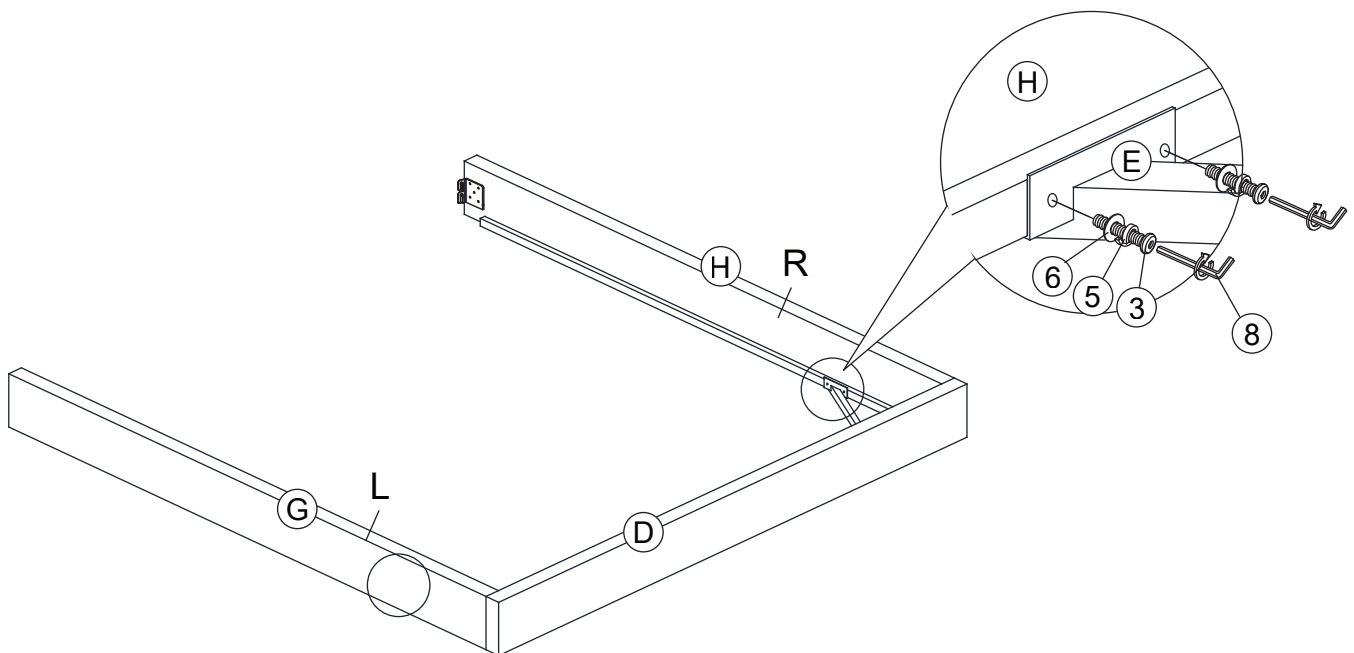
MODEL : B1840-115 EUROPA 6/6 EK HEADBOARD, FOOTBOARD & SLATS
 B1840-335 EUROPA 5/0-6/6 Q/EK SIDE RAILS
 B1840-215 EUROPA 6/0 WK HEADBOARD, FOOTBOARD & SLATS
 B1840-235 EUROPA 6/0 WK SIDE RAILS

STEP 5: Assemble the Side Rails (G & H) with the Footboard (D) by using the Allen Key (9) with hardware 1



Attention: DO NOT OVER TIGHTEN THE BOLTS.

STEP 6: Assemble the Footboard Support Rail (E) to the Side Rails (G & H) by using Allen Key (8) with hardware 3, 5, and 6.

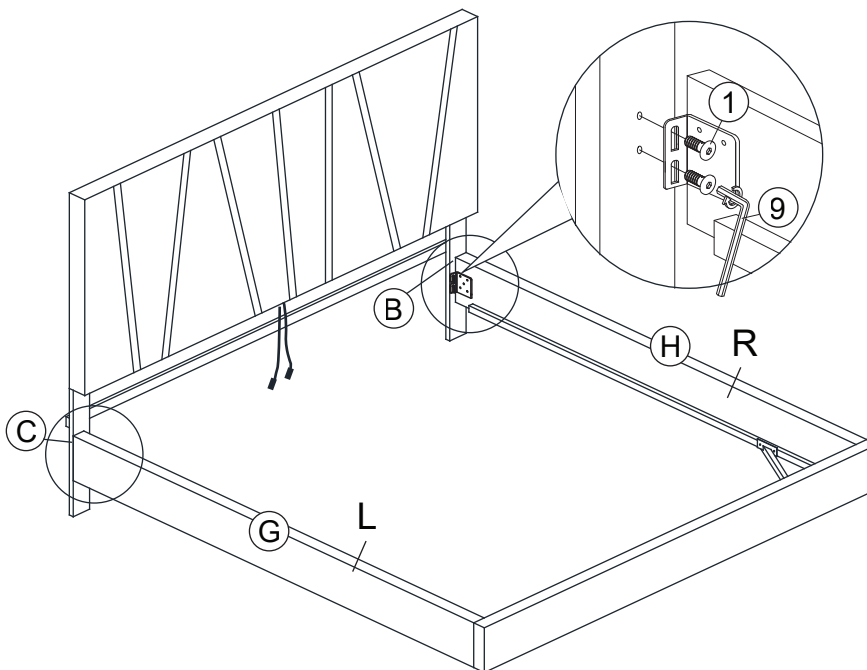


Attention: DO NOT OVER TIGHTEN THE BOLTS.

ASSEMBLY INSTRUCTIONS EUROPA COLLECTION

MODEL : B1840-115 EUROPA 6/6 EK HEADBOARD, FOOTBOARD & SLATS
 B1840-335 EUROPA 5/0-6/6 Q/EK SIDE RAILS
 B1840-215 EUROPA 6/0 WK HEADBOARD, FOOTBOARD & SLATS
 B1840-235 EUROPA 6/0 WK SIDE RAILS

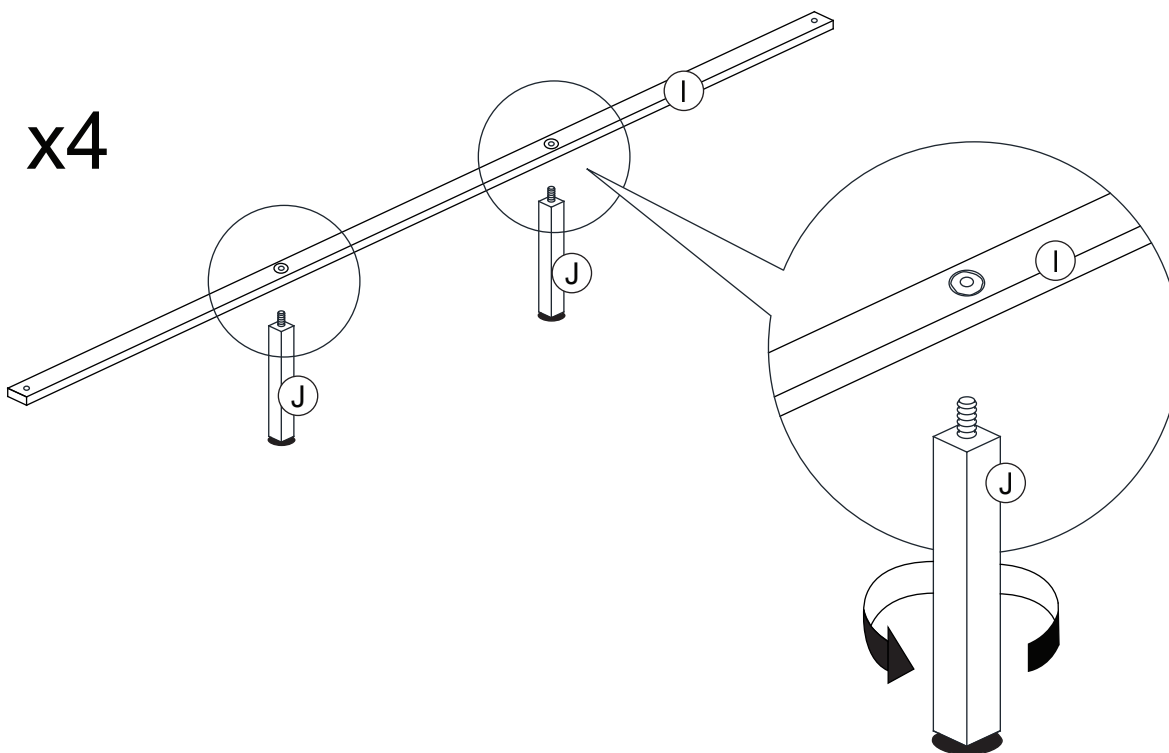
STEP 7: Attach the Side Rails (G & H) to the Headboard Legs (B & C) by using the Allen Key (9) with hardware 1..



Do not fully tighten screws until assembly is complete and the bed is level.

Attention: DO NOT OVER TIGHTEN THE BOLTS.

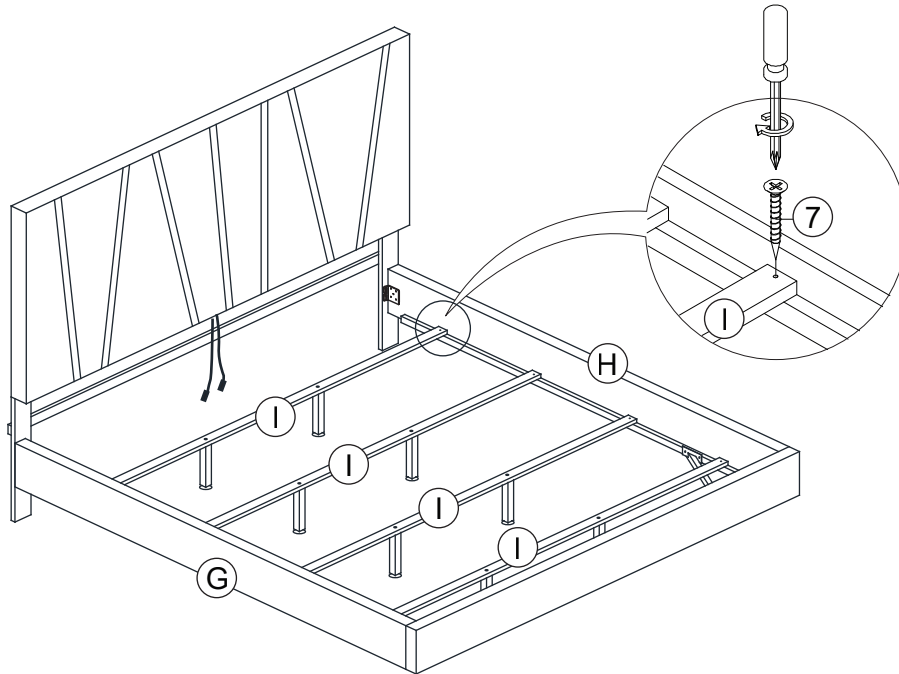
STEP 8 : Turn the Slat Support Legs (J) into the pre-drilled holes on the Slat (I). Repeat for each slat.



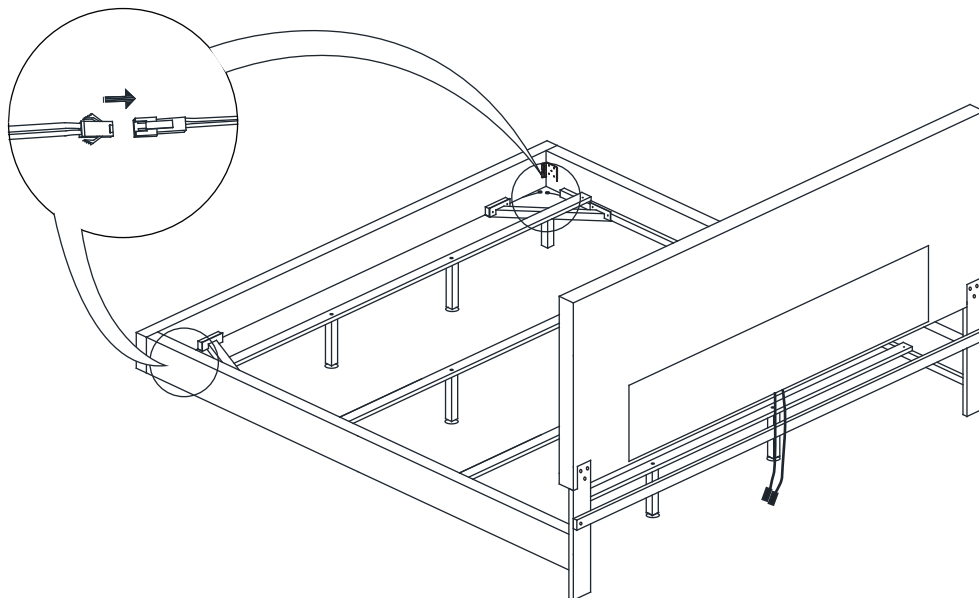
ASSEMBLY INSTRUCTIONS EUROPA COLLECTION

MODEL : B1840-115 EUROPA 6/6 EK HEADBOARD, FOOTBOARD & SLATS
B1840-335 EUROPA 5/0-6/6 Q/EK SIDE RAILS
B1840-215 EUROPA 6/0 WK HEADBOARD, FOOTBOARD & SLATS
B1840-235 EUROPA 6/0 WK SIDE RAILS

STEP 9 : Assemble the Slats (I) to the Side Rails (G & H) by using a screwdriver with hardware (7).



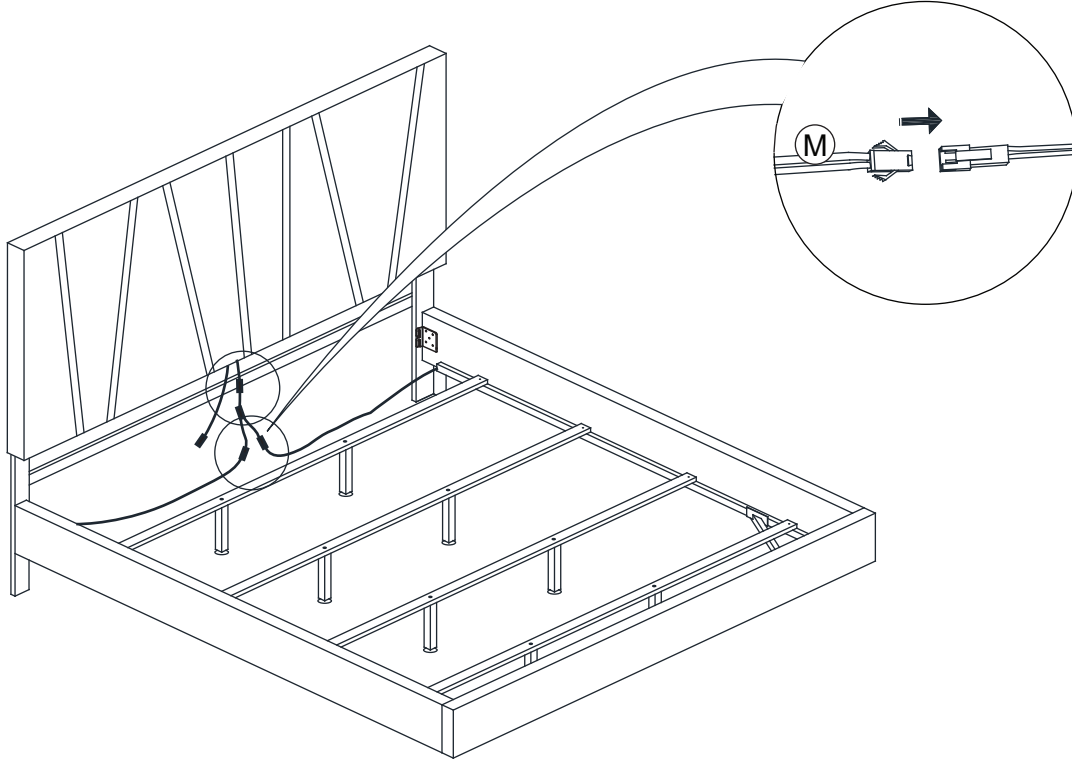
STEP 10 : Connect the wires on Footboard (D) with the wires on Side Rails (G & H).



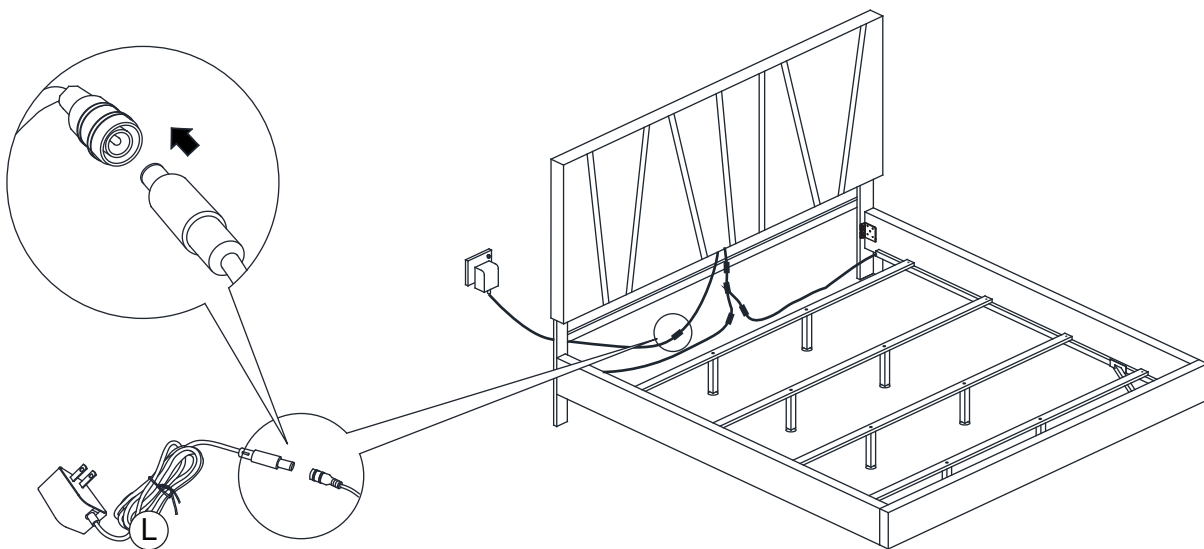
ASSEMBLY INSTRUCTIONS EUROPA COLLECTION

MODEL : B1840-115 EUROPA 6/6 EK HEADBOARD, FOOTBOARD & SLATS
B1840-335 EUROPA 5/0-6/6 Q/EK SIDE RAILS
B1840-215 EUROPA 6/0 WK HEADBOARD, FOOTBOARD & SLATS
B1840-235 EUROPA 6/0 WK SIDE RAILS

STEP 11: Connect the one end Wire (M) with the connecting wire on the Headboard (A).
Then connect the 2 ends Wire (M) with the connecting wire on to the Side Rails (G & H).



STEP 12 : Connect the Plug (L) with the connecting wire on the Headboard (A).



Tighten all the screws when assembly is complete.

ASSEMBLY COMPLETED
MADE IN MALAYSIA

ASSEMBLY INSTRUCTIONS

EUROPA COLLECTION

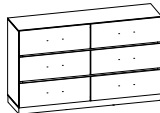
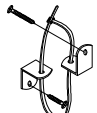
MODEL : B1840-050 EUROPA DRESSER - WHITE
(1 Per Carton)

Thank you for purchasing this quality product. Be sure to check all packing materials carefully for small parts, which may have come loose inside the carton during shipment. Identify and count all items and compare with the parts list and/or hardware list shown below.

Please read all instructions carefully. See the hardware and furniture part listing for guidance. Be sure you have all parts listed before beginning assembly. Place all wooden parts on a clean, flat surface to protect the finish from scratches. Follow the diagram to assemble.

CAUTION

1. Do not fully tighten the nuts or bolts until the table is fully assembled.
2. Please tighten by hand, not by a drill. Overtightening will damage threads. Do not overtighten.
3. Keep all hardware out of the reach of children.

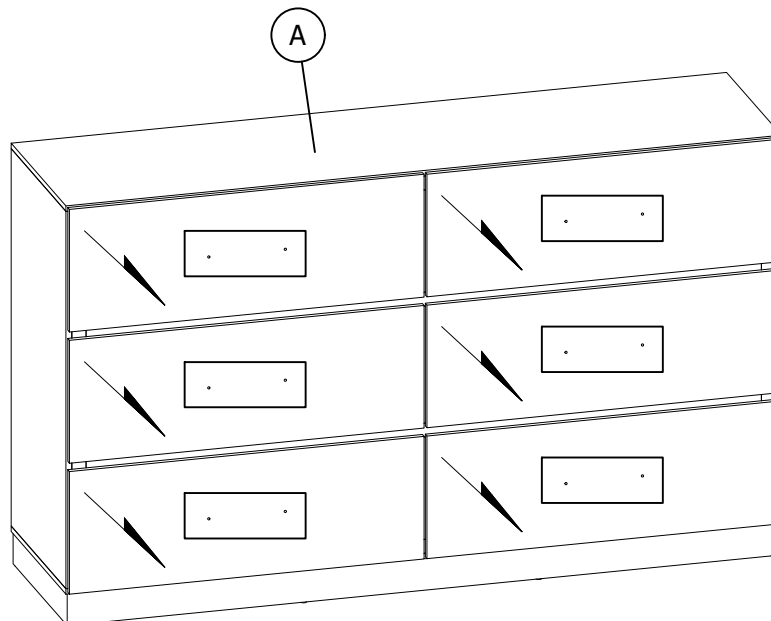
PARTS LIST				HARDWARE LIST			
ITEM	DESCRIPTION	SKETCH	QTY	ITEM	DESCRIPTION	SKETCH	QTY
A	DRESSER		1 PC	1	TIPPING RESTRAINT		1 PC

HARDWARE DIMENSIONS
VERIFICATION TOOL



STEP 1: Pull open the drawer to install the drawer handles.

** Attention: DO NOT OVER TIGHTEN THE SCREWS.

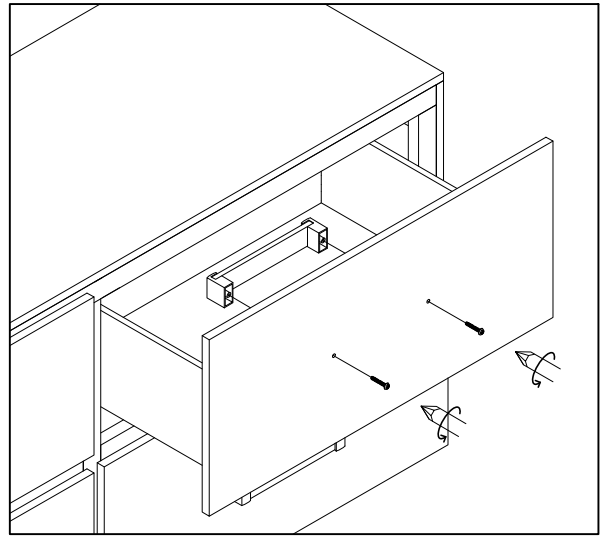
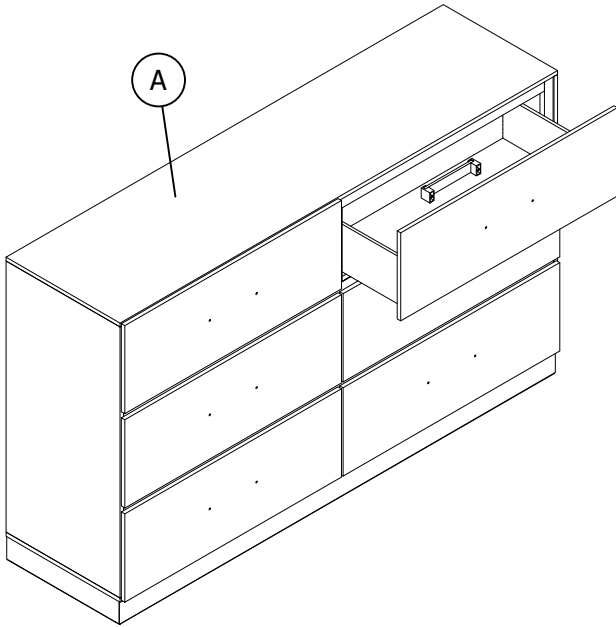


ASSEMBLY INSTRUCTIONS

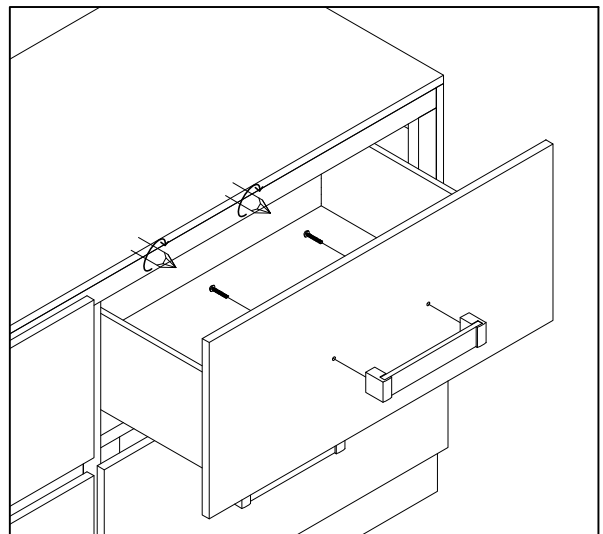
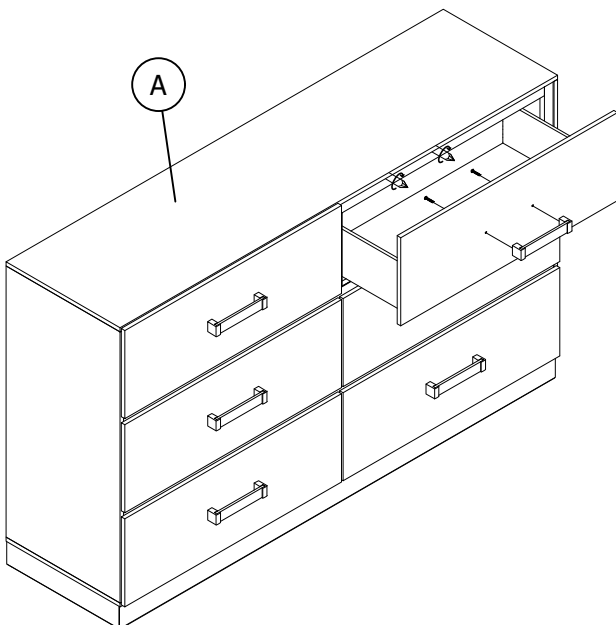
EUROPA COLLECTION

MODEL : B1840-050 EUROPA DRESSER - WHITE
(1 Per Carton)

STEP 2: Unscrew the handle from the outside of the drawer with a screwdriver.
** Attention: DO NOT OVER TIGHTEN THE SCREWS.



STEP 3: Place the handle on the outside of the drawer and screw from the inside of the drawer with a screwdriver.
** Attention: DO NOT OVER TIGHTEN THE SCREWS.



ASSEMBLY INSTRUCTIONS

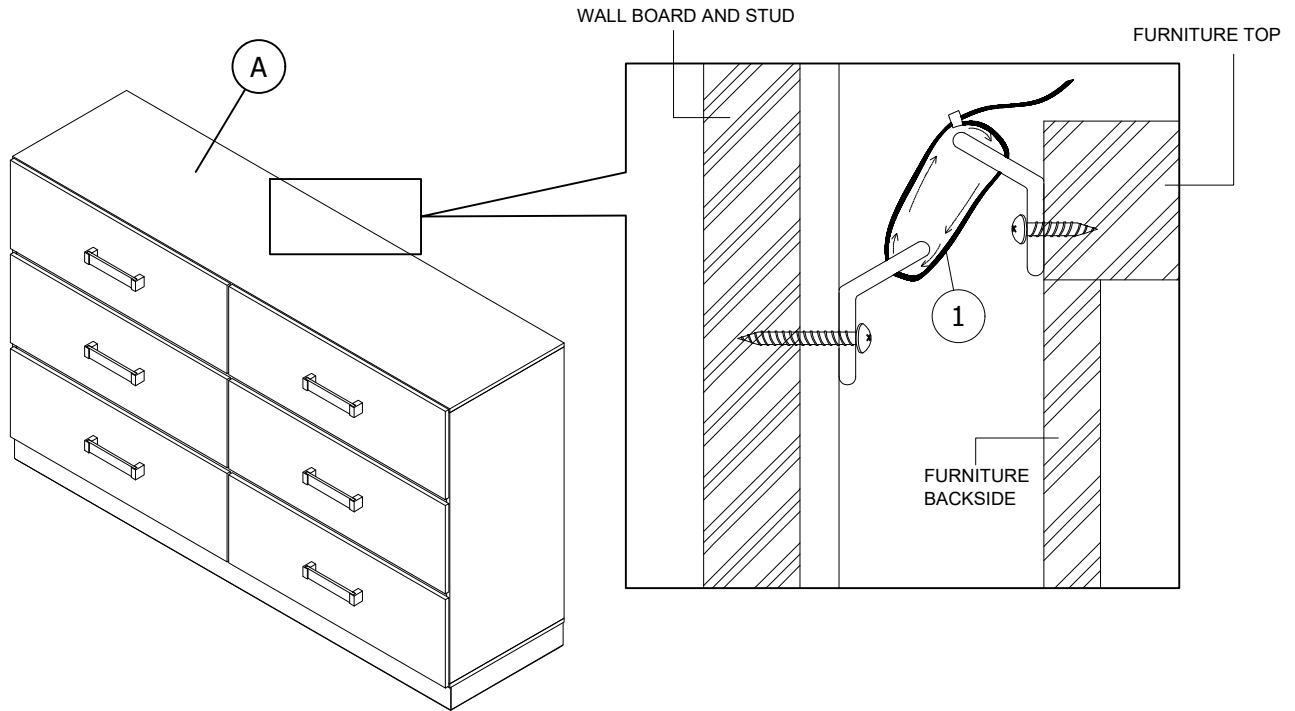
EUROPA COLLECTION

MODEL : B1840-050 EUROPA DRESSER - WHITE
(1 Per Carton)

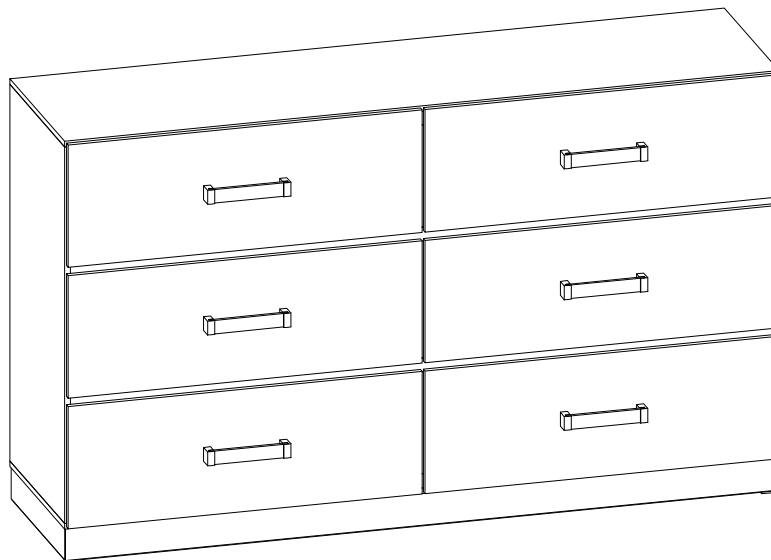
STEP 4: Place the Dresser (A) near the wall.

Install the Tipping Restraint (1) with the Dresser (A) and the wall.

****Attention: DO NOT OVER TIGHTEN THE SCREWS.**



STEP 5: Complete.



ASSEMBLY COMPLETED

ASSEMBLY INSTRUCTIONS

EUROPA COLLECTION

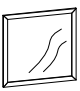






MODEL : B1840-060 EUROPA MIRROR - WHITE
(1 Per Carton)

Thank you for purchasing this quality product. Be sure to check all packing materials carefully for small parts, which may have come loose inside the carton during shipment. Identify and count all items and compare with the parts list and/or hardware list shown below.

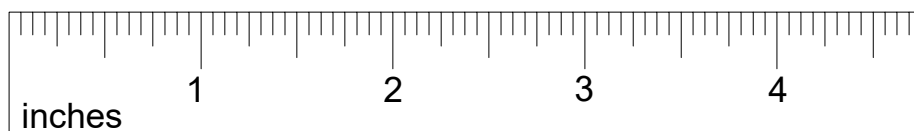
Please read all instructions carefully. See the hardware and furniture part listing for guidance. Be sure you have all parts listed before beginning assembly. Place all wooden parts on a clean, flat surface to protect the finish from scratches. Follow the diagram to assemble.

CAUTION

1. Do not fully tighten the nuts or bolts until the table is fully assembled.
2. Please tighten by hand, not by a drill. Overtightening will damage threads. Do not overtighten.
3. Keep all hardware out of the reach of children.

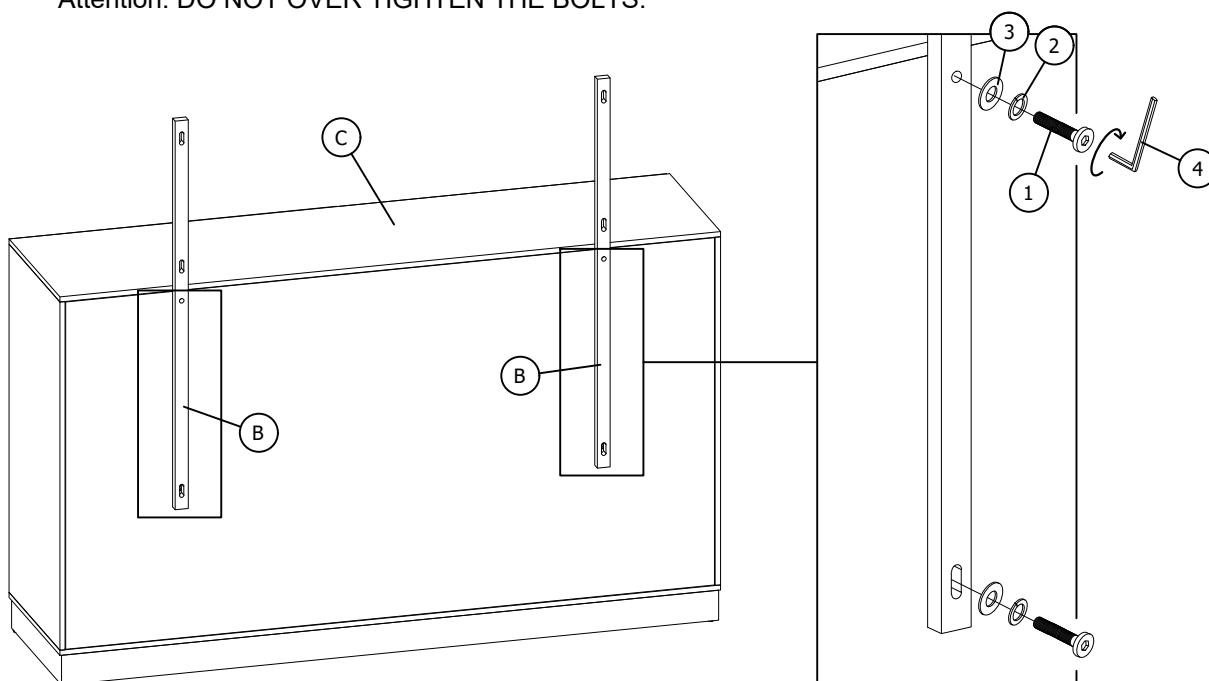
PARTS LIST				HARDWARE LIST			
ITEM	DESCRIPTION	SKETCH	QTY	ITEM	DESCRIPTION	SKETCH	QTY
A	MIRROR		1 PC	1	BOLT M6 x 1 9/16"		8 PCS
B	MIRROR SUPPORT		2 PCS	2	SPRING WASHER M6 x 1/4"		8 PCS
C	DRESSER (FROM DRESSER BOX)		1 PC	3	FLAT WASHER M6 x 1/4"		8 PCS
				4	ALLEN KEY M4 x 2 3/8"		1 PC

HARDWARE DIMENSIONS VERIFICATION TOOL



STEP 1: Assemble the Mirror Support (B) with the Dresser (C) by using Allen Key (4) with hardware (1), (2) and (3).

**** Attention: DO NOT OVER TIGHTEN THE BOLTS.**

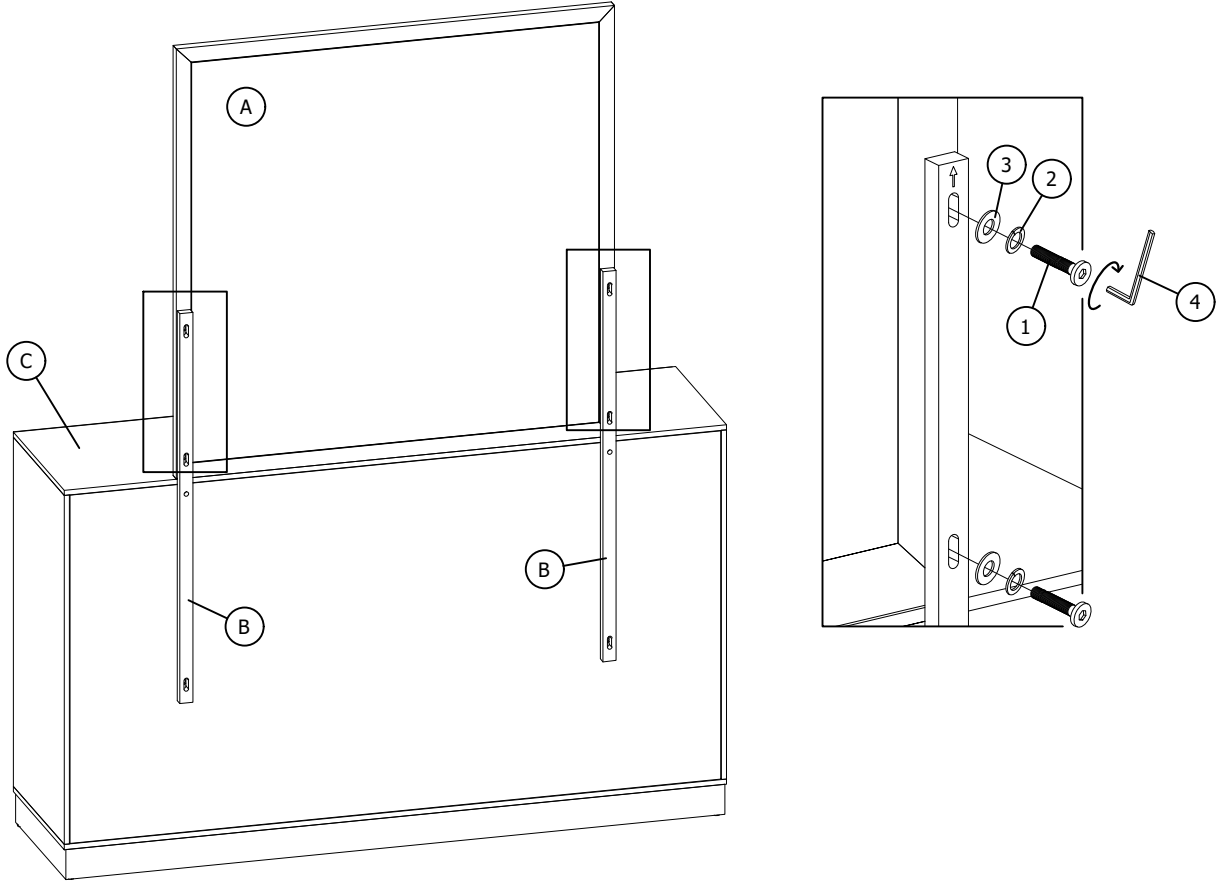


ASSEMBLY INSTRUCTIONS

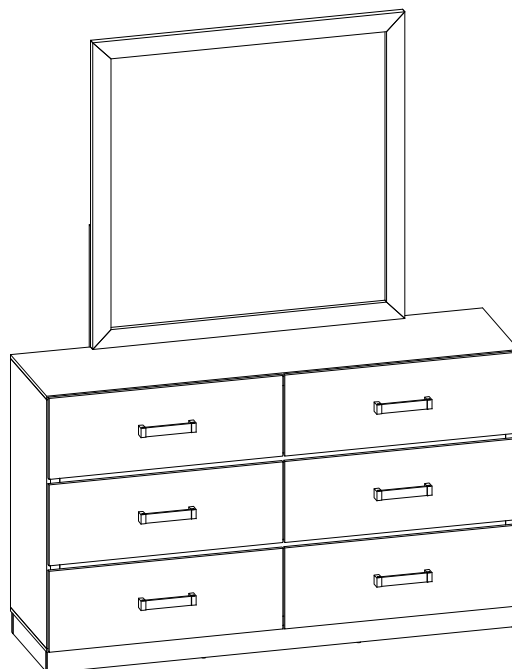
EUROPA COLLECTION

MODEL : B1840-060 EUROPA MIRROR - WHITE
(1 Per Carton)

STEP 2: Assemble the Mirror (A) with the Mirror Support (B) by using Allen Key (4) with hardware (1), (2) and (3).
**** Attention: DO NOT OVER TIGHTEN THE BOLTS.**



STEP 3: Complete.



ASSEMBLY COMPLETED

ASSEMBLY INSTRUCTIONS

EUROPA COLLECTION

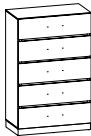
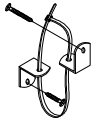
MODEL : B1840-070 EUROPA CHEST - WHITE
(1 Per Carton)

Thank you for purchasing this quality product. Be sure to check all packing materials carefully for small parts, which may have come loose inside the carton during shipment. Identify and count all items and compare with the parts list and/or hardware list shown below.

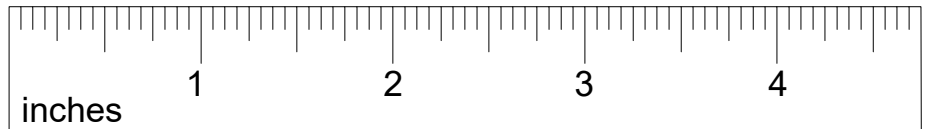
Please read all instructions carefully. See the hardware and furniture part listing for guidance. Be sure you have all parts listed before beginning assembly. Place all wooden parts on a clean, flat surface to protect the finish from scratches. Follow the diagram to assemble.

CAUTION

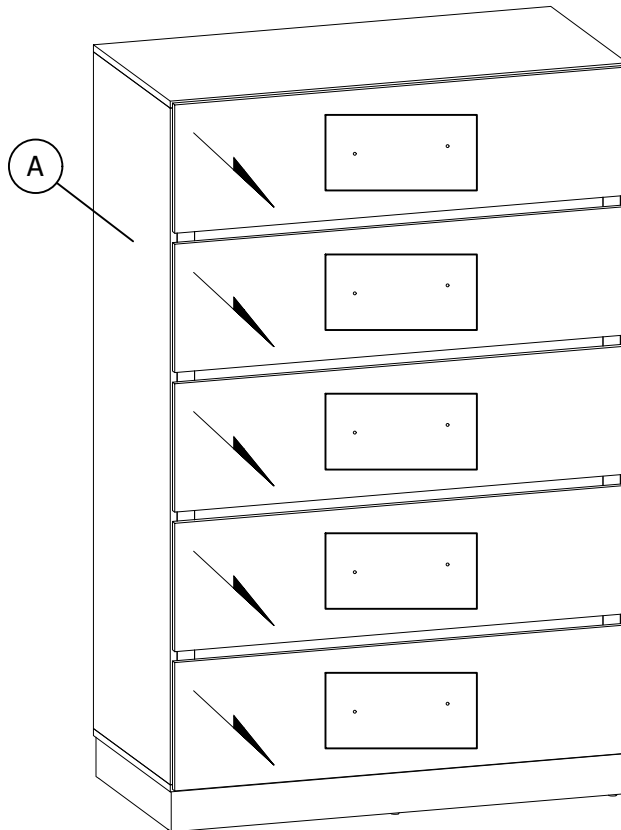
1. Do not fully tighten the nuts or bolts until the table is fully assembled.
2. Please tighten by hand, not by a drill. Overtightening will damage threads. Do not overtighten.
3. Keep all hardware out of the reach of children.

PARTS LIST				HARDWARE LIST			
ITEM	DESCRIPTION	SKETCH	QTY	ITEM	DESCRIPTION	SKETCH	QTY
A	CHEST		1 PC	1	TIPPING RESTRAINT		1 PC

HARDWARE DIMENSIONS
VERIFICATION TOOL



STEP 1: Pull open the drawer to install the drawer handles.



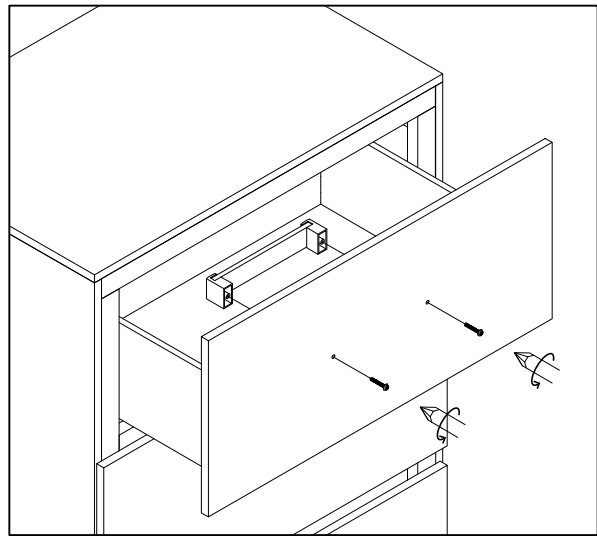
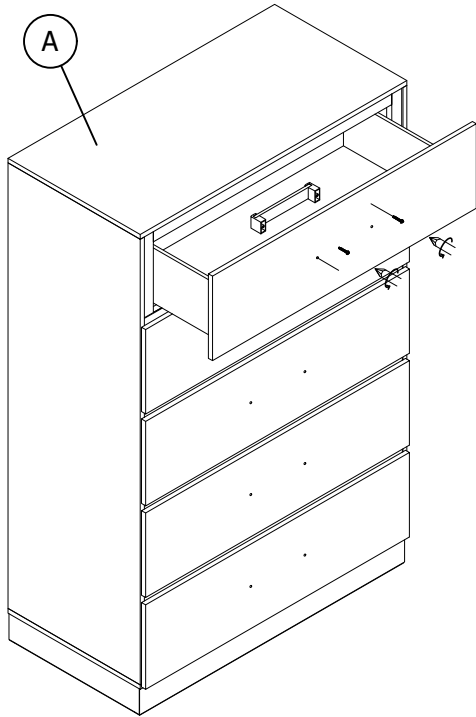
ASSEMBLY INSTRUCTIONS

EUROPA COLLECTION

MODEL : B1840-070 EUROPA CHEST - WHITE
(1 Per Carton)

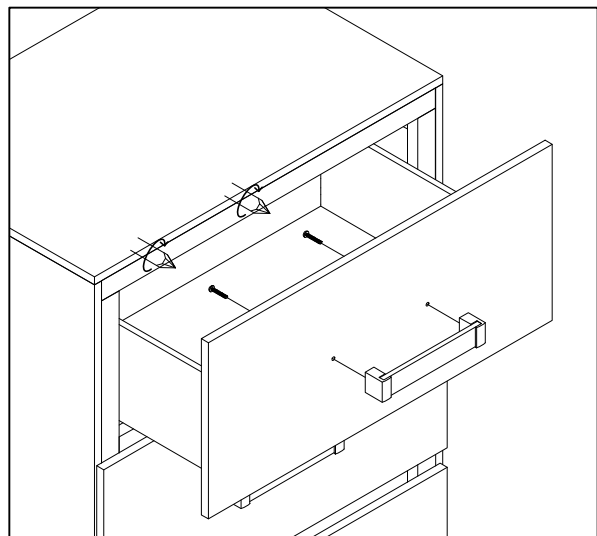
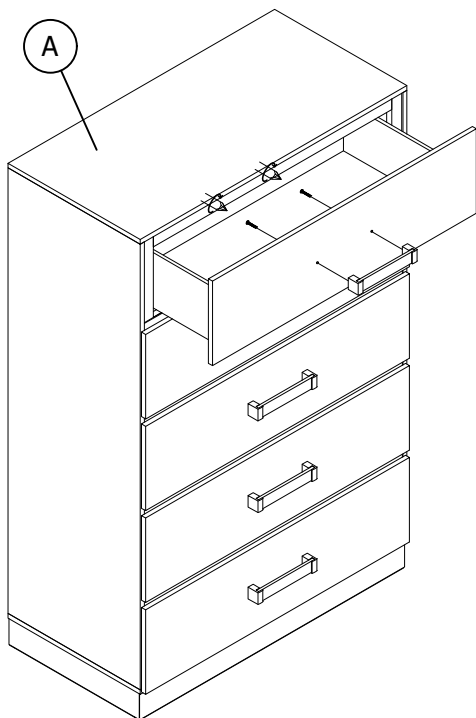
STEP 2: Unscrew the handle from the outside of the drawer with a screwdriver.

** Attention: DO NOT OVER TIGHTEN THE SCREWS.



STEP 3: Place the handle on the outside of the drawer and screw from the inside of the drawer with a screwdriver.

** Attention: DO NOT OVER TIGHTEN THE SCREWS.

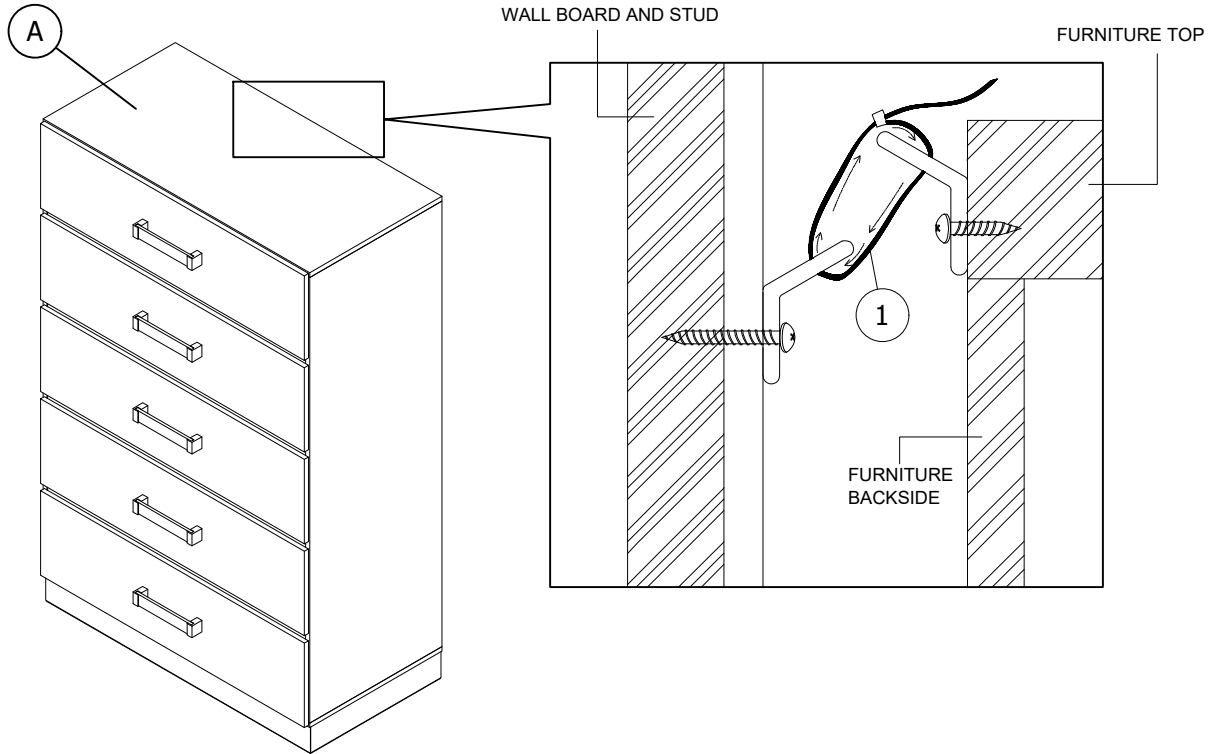


ASSEMBLY INSTRUCTIONS

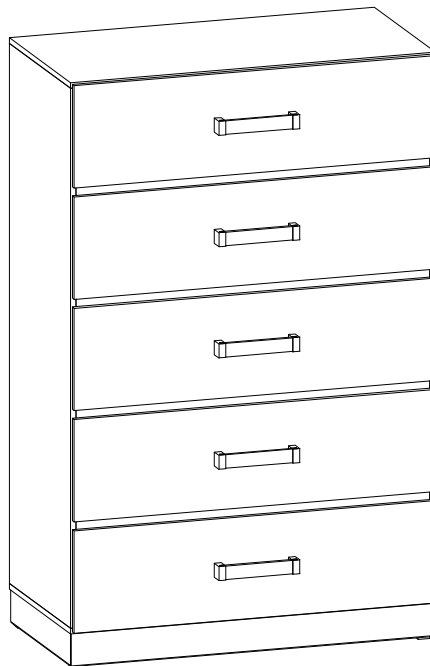
EUROPA COLLECTION

MODEL : B1840-070 EUROPA CHEST - WHITE
(1 Per Carton)

STEP 4: Place the Chest (A) near the wall.
Install the Tipping Restraint (1) with the Chest (A) and the wall.
****Attention: DO NOT OVER TIGHTEN THE SCREWS.**



STEP 5: Complete.



ASSEMBLY COMPLETED