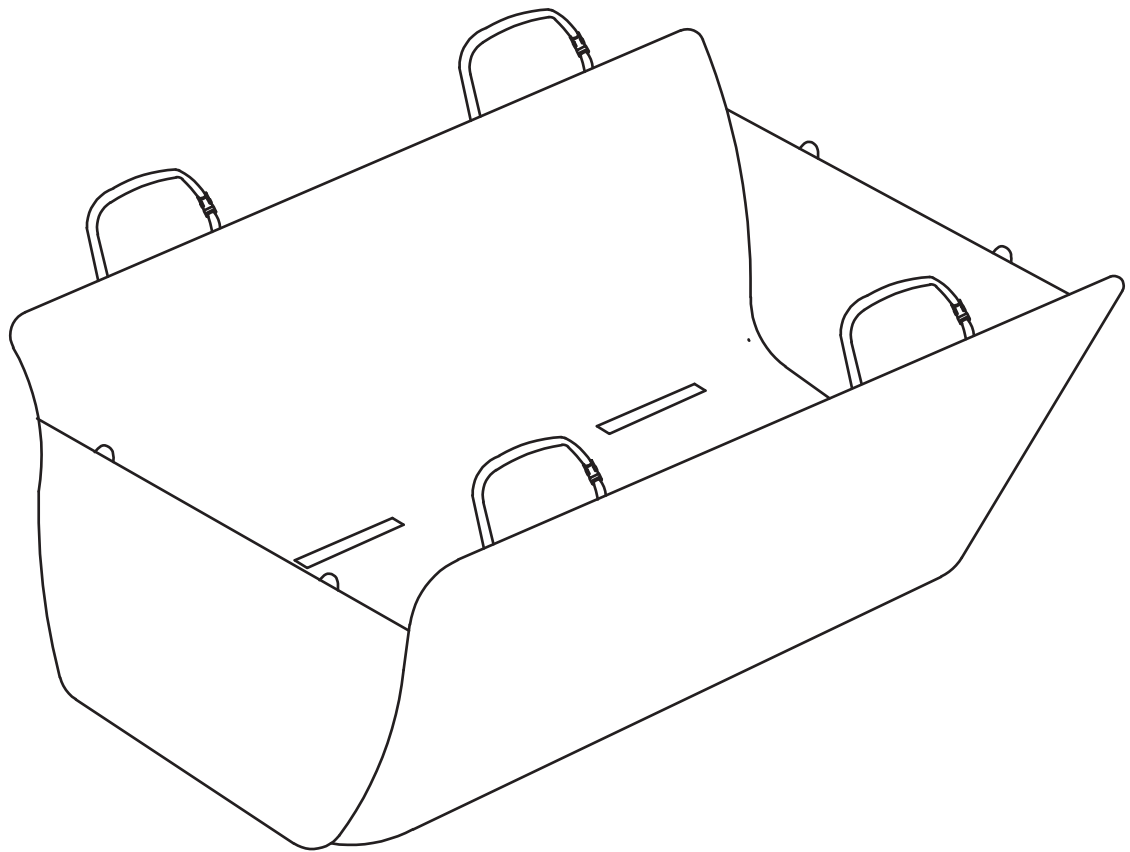


# Dog Car Seat Covers Installation Manua

(NV099-SX)


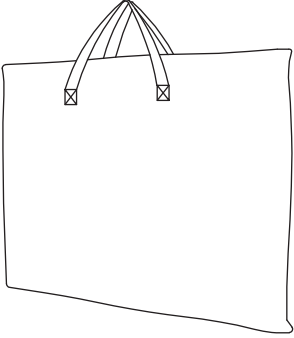



Customer Service Email: [help@EverythingSupport.com](mailto:help@EverythingSupport.com)  
Toll-free: (855)208-0668(MON-FRI 9:00 am-6:00 pm Eastern Time)

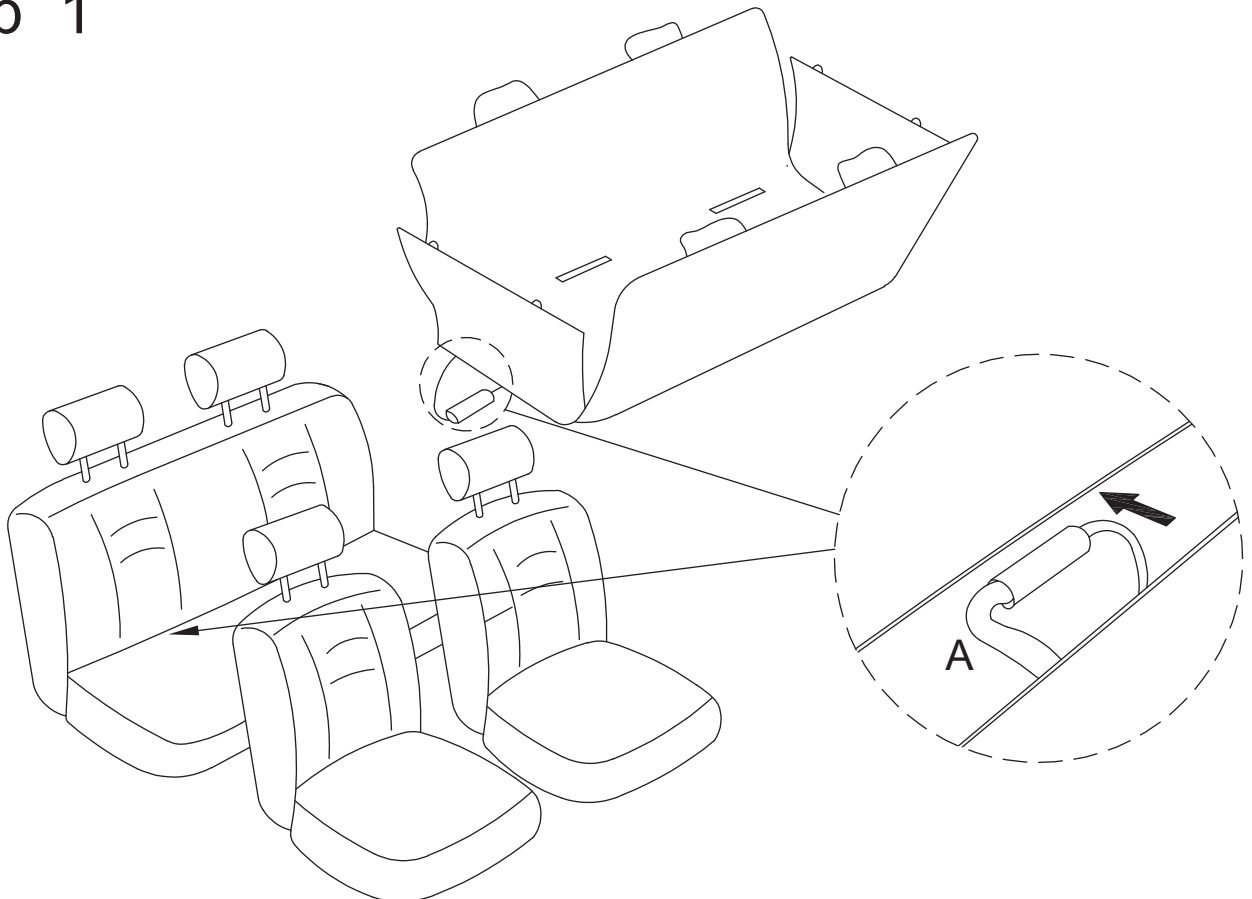
---

# Hardware List

- The instructions are general versions for reference only. The installation methods are basically the same. If you have any doubts, please contact customer service.
- Carefully and strictly follow these assembly&installation instructions to ensure a completed product as designed.

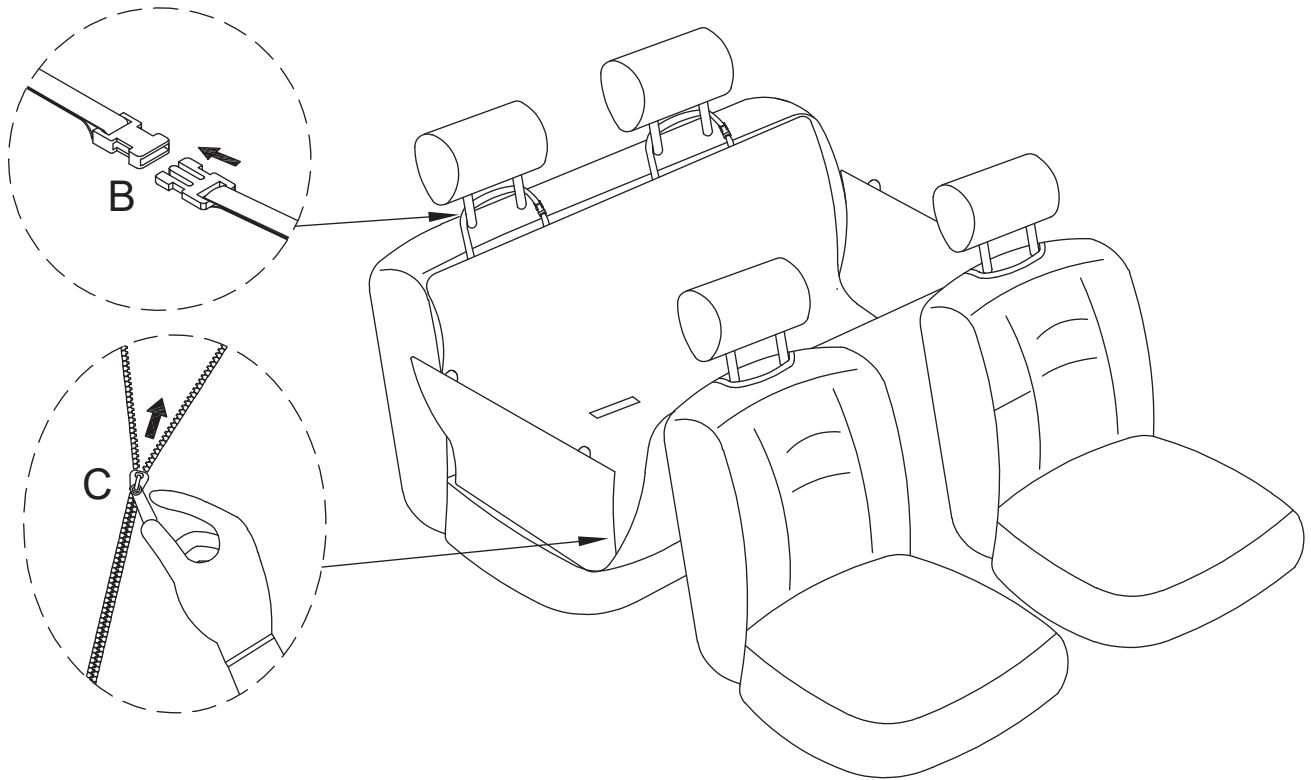
Number	Parts	Quantity	Number	Parts	Quantity
D	 Dog Car Harnesses	1 PC	F	 Carry Bag	1 PC
E	 Hamock Straps	2 PCS			

## Step 1



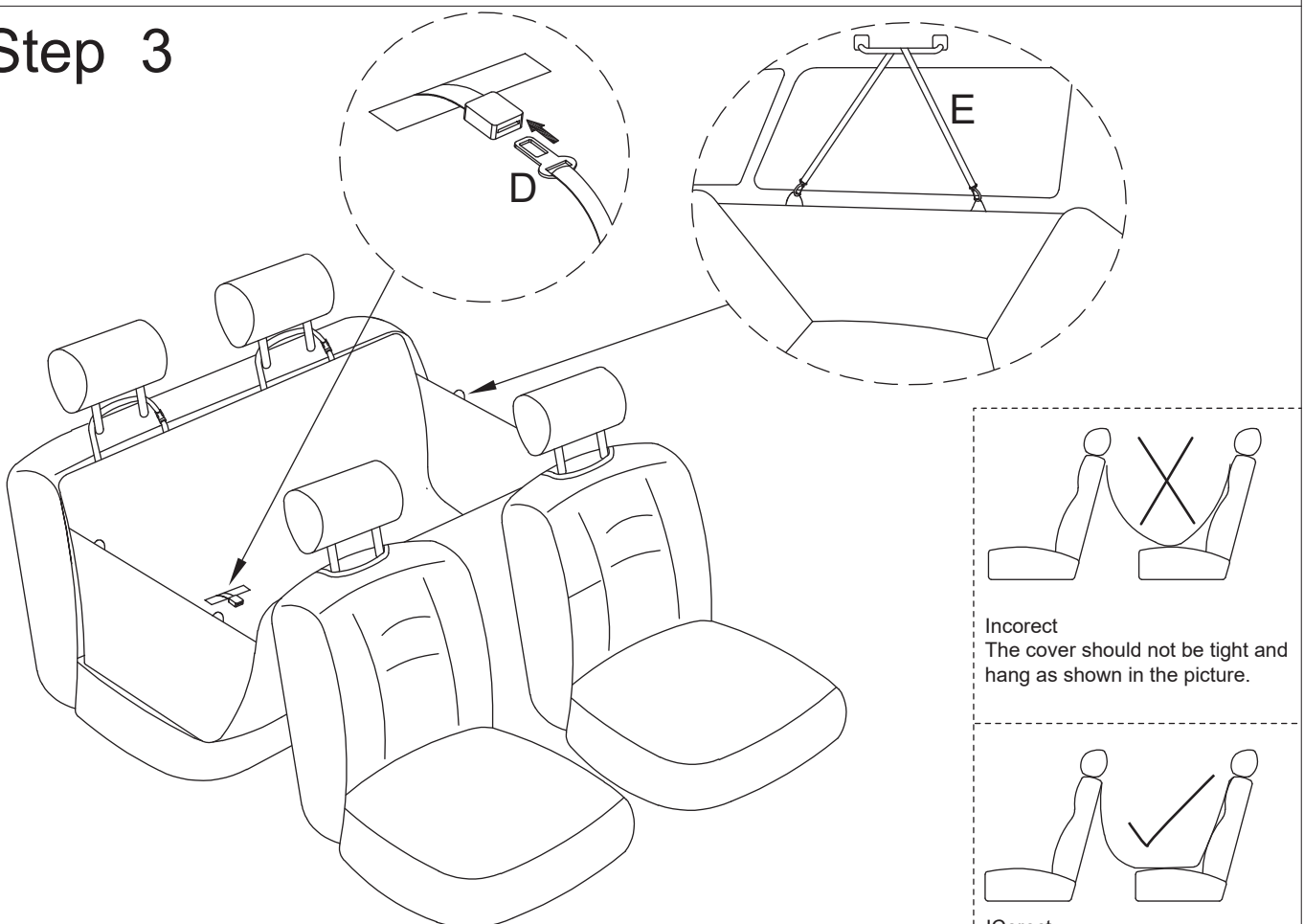
Attach the lower anti-slip part to the seat surface.  
Insert the seat anchor (A) into the crack between the cushion and the seat back.

## Step 2



Tighten all straps (B) and (C) so that the lower part of the cover still touches the seat, but leaves no space.

## Step 3



Close the side zippers and secure them with the help of the flats that come over the side handles (if the car has it).

**Incorrect**  
The cover should not be tight and hang as shown in the picture.

**Correct**  
The cover must sit on the bench as shown in the picture.

# AFTER-SALES SERVICE CARD

We sincerely thank you for trusting our service and our products, and may this product add enrichment to your home. We guarantee that the product has undergone strict quality inspection and meticulous packaging. If you encounter any issue regarding either shipping or the product, please feel free to contact us at any time. We'd be more than happy to serve you wholeheartedly.

Yours Sincerely

## **Cleaning instructions:**

Our product cleaning instructions will help you make sure that your equipment has a long life.

For this cover model, we recommend hand washing only air drying, this is the best way to take care of it the product to have a longer lifespan.

## **Hand wash instructions:**

1. Remove dirt with a dry brush.
2. Clean the stains with a damp sponge, cold water and mild soap.  
Avoid harsh detergents.
3. If necessary, rinse the larger surface to remove excess soap residue.
4. Hang to air dry (do not machine dry).

Customer Service Email: [help@EverythingSupport.com](mailto:help@EverythingSupport.com)

Toll-free: (855)208-0668(MON-FRI 9:00 am-6:00 pm Eastern Time)

---

If you have any questions or concerns please feel free to contact us. We're committed to providing our customers with the quality service.