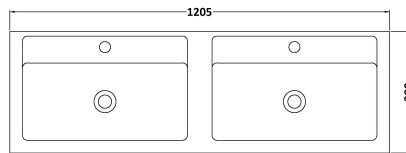
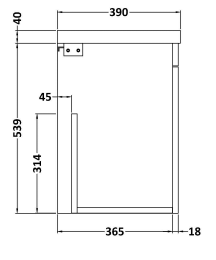
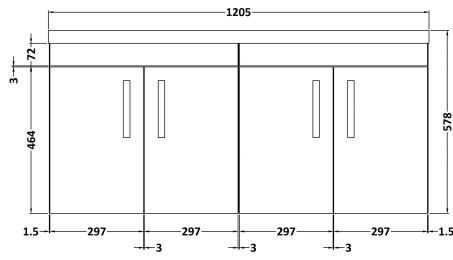


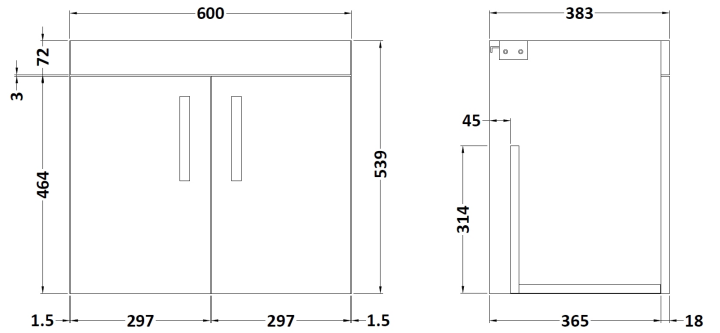
CUSTOMER DATA SHEET

DESCRIPTION: 1200 Wh 4-Door Vanity W/Double Basin



CUSTOMER DATA SHEET - FURNITURE

DESCRIPTION: 600 Wall Hung 2-Door Basin Unit



PRODUCT DIMENSIONS

Height (mm)	Width (mm)	Depth (mm)	Nett Wgt Kg
540	600	383	12.9

PACKAGING DIMENSIONS

Height (mm)	Width (mm)	Depth (mm)	Gross Wgt Kg
405	620	560	12.9

PACKAGING DATA

Box Colour	Brown Cardboard Box		
Box Qty	1	Label Colour	White Label
Label Size	100 x 50	Label Qty	2

OUTER BOX DIMENSIONS (If Applicable)

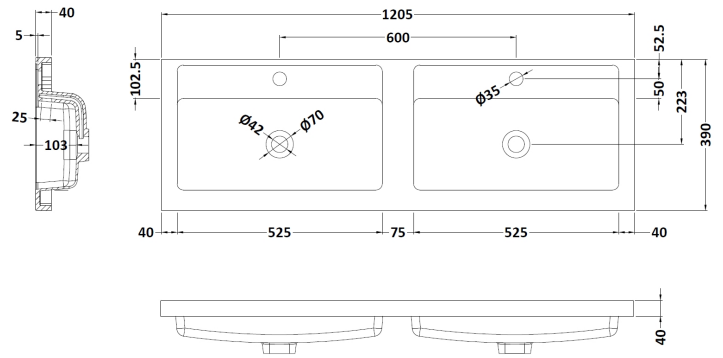
Height (mm)	Width (mm)	Depth (mm)	Gross Wgt Kg

PRODUCT DETAILS

Country of Origin	United Kingdom			
Fitting Instruction	No			
Constr' Method	Cam & Wood Dowel			
Cabinet Finish	MFC Smooth Matt			
Cab Thickness (mm)	18			
Drawer Included	No			
No of Shelves	0			
Hinge Inc'	Yes, Supplied			
Fixings Inc'	Yes			
Handle Inc'	Yes, Supplied			
Handle Type	Strap			
Certification	FSC	Yes	CE	N/A
Colour	Stone Grey			
Constr' Type	Rigid			
Fascia Finish	MFC Smooth Matt			
Fas Thickness (mm)	18			
Drawer Type	Not Applicable			
Hinge Type	95 Degree Clip-On Soft Close			
Adjustable Legs	No, Not Required			
Handle Style	Contemporary			
Waste Shroud	No			

CUSTOMER DATA SHEET - CERAMICS

DESCRIPTION: Double Polymarble Basin 1205 X 390



PRODUCT DIMENSIONS

Height (mm)	Width (mm)	Depth (mm)	Nett Wgt Kg
390	1205	157	18.12

PACKAGING DIMENSIONS

Height (mm)	Width (mm)	Depth (mm)	Gross Wgt Kg
100	1205	400	18.12

PACKAGING DATA

Box Colour	Brown Cardboard Box - Printed		
Box Qty	1	Label Colour	White Label
Label Size	100 x 50	Label Qty	2

OUTER BOX DIMENSIONS (If Applicable)

Height (mm)	Width (mm)	Depth (mm)	Gross Wgt Kg

PRODUCT DETAILS

Country of Origin	China
Fitting Instruction	No

Certification	CE	No	WRAS	N/A	WRAS Number	N/A
Product Material	Polymarble					

PANS/BIDETS

Trap Style	Not Applicable	Includes Seat	Not Applicable
------------	----------------	---------------	----------------

CISTERNS

Fittings	Not Applicable	Operating Type	Not Applicable
Lever Type	Not Applicable		

SEAT

Type	Not Applicable	Function	Not Applicable
Material	Not Applicable		
Hinge Type	Not Applicable	Hinge Material	Not Applicable

BASINS

Tap Hole	Two Tapholes	Chain Stay Hole	No
Template	Not Required	Waste Type Req'd	Slotted
Overflow Incl.	Yes	Overflow Cover	Yes
Inner Bowl Depth			

GENERAL

Fixing Supplied	No
-----------------	----