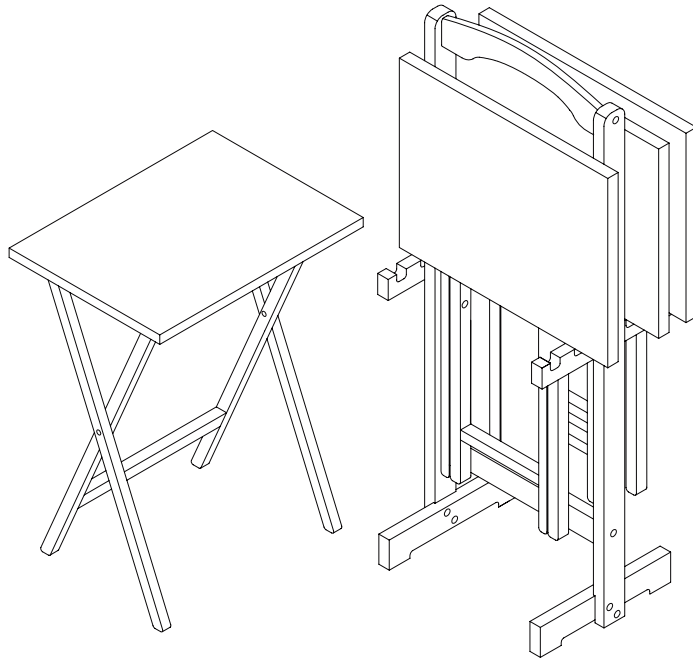


# ASSEMBLY INSTRUCTIONS

## TRAY SET WITH FAUX MARBLE TOP

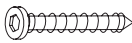




### **We are here to help !**

We do our best to insure that your furniture arrives in excellent condition. In the event that a part is damaged or missing, We will be happy to provide you with replacement parts, at no charge, within 30 days of purchase, providing the parts are available in our warehouse and the item purchased is part of our current inventory. In order to recieve spare parts, at no charge, you must provide proof of purchase within 30 days.

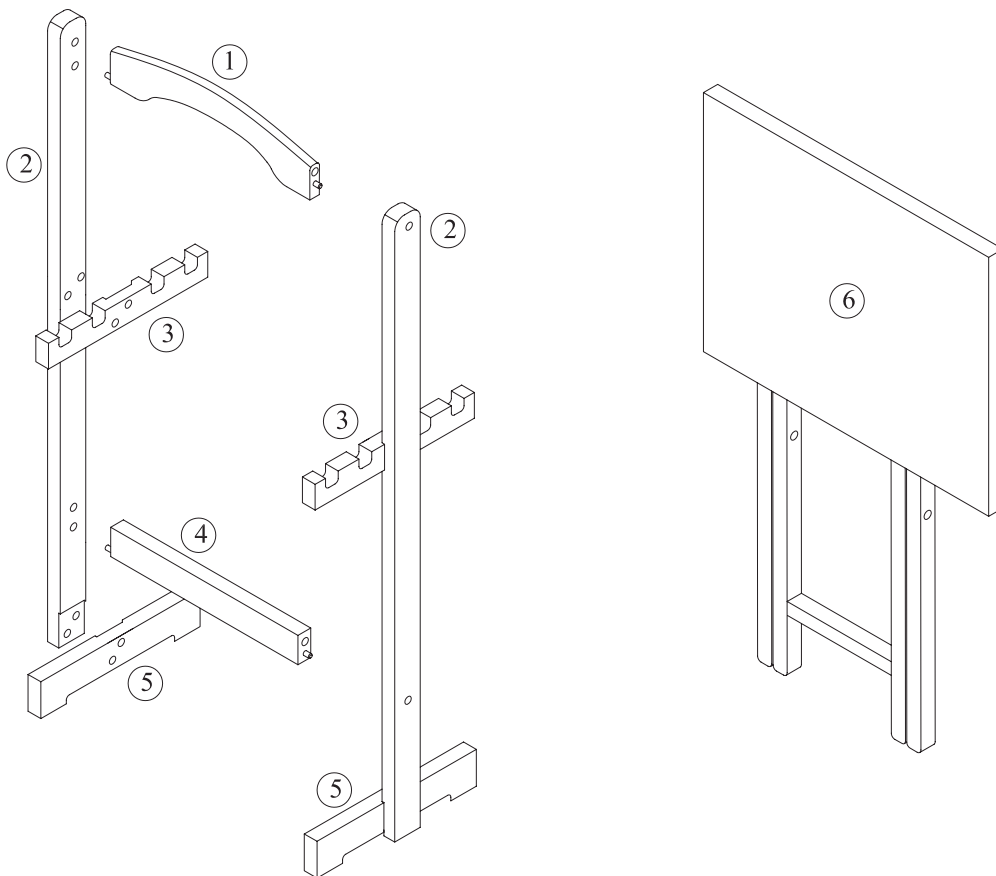
If you need assistance with assembly or replacement parts, please call Customer Service, prior to returning the item to the store.

**HARDWARE IDENTIFICATION:**

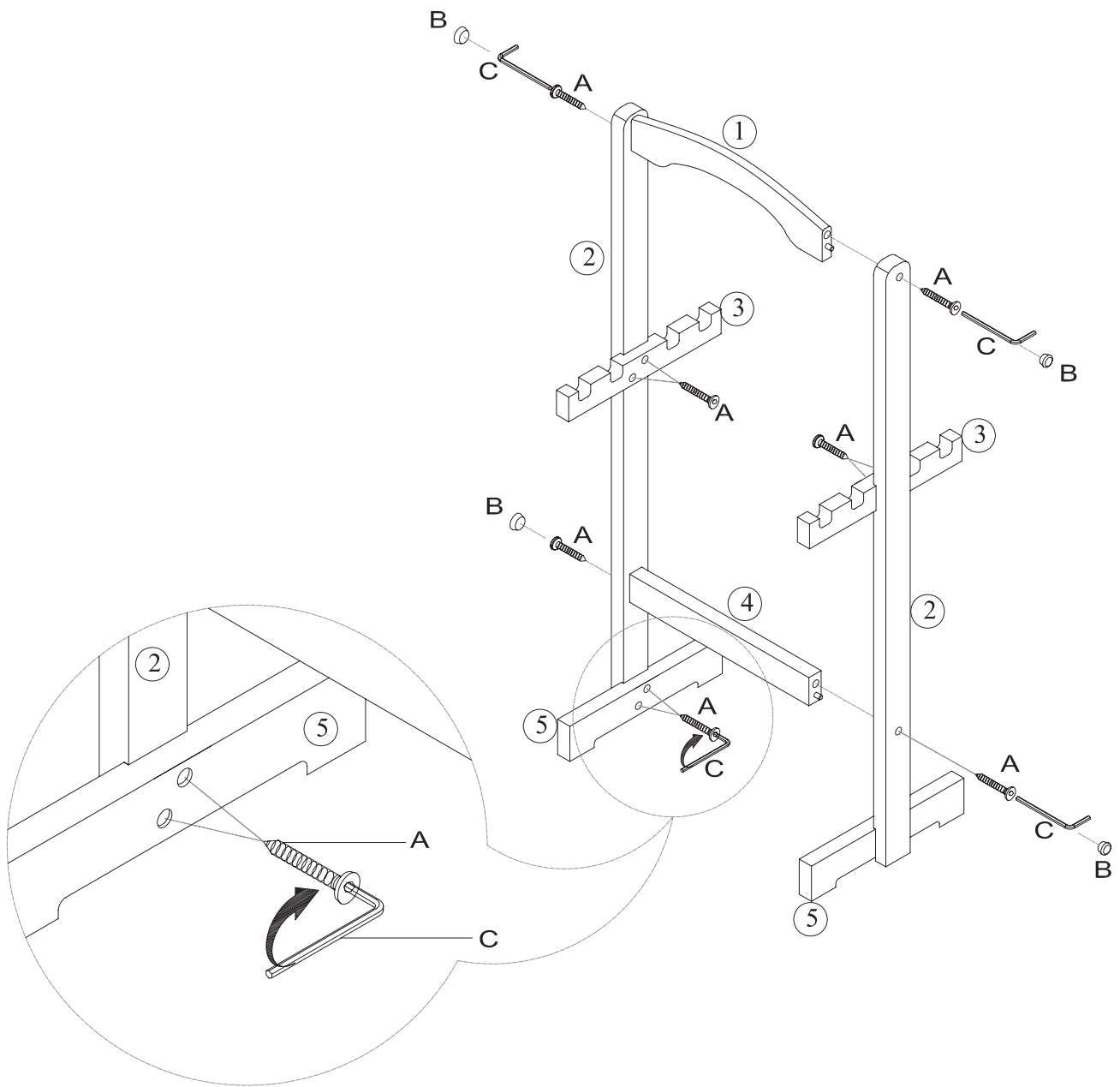
SYMBOL	GRAPHICS	DESCRIPTION	QTY
A	 25mm L	WOOD SCREW	12
B		WOOD PLUG	4
C		WRENCH	1

**PART IDENTIFICATION:**

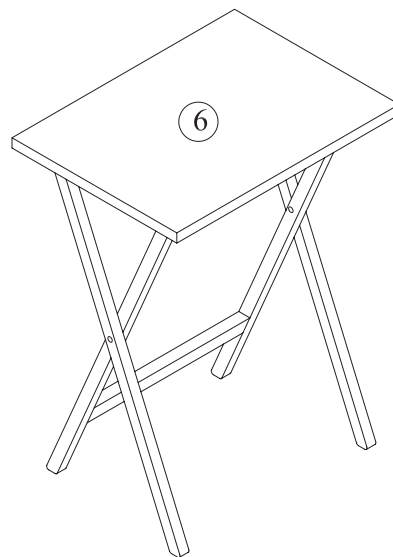
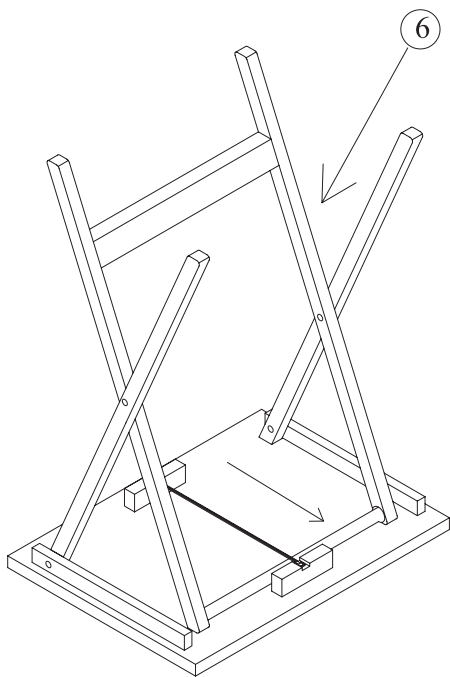
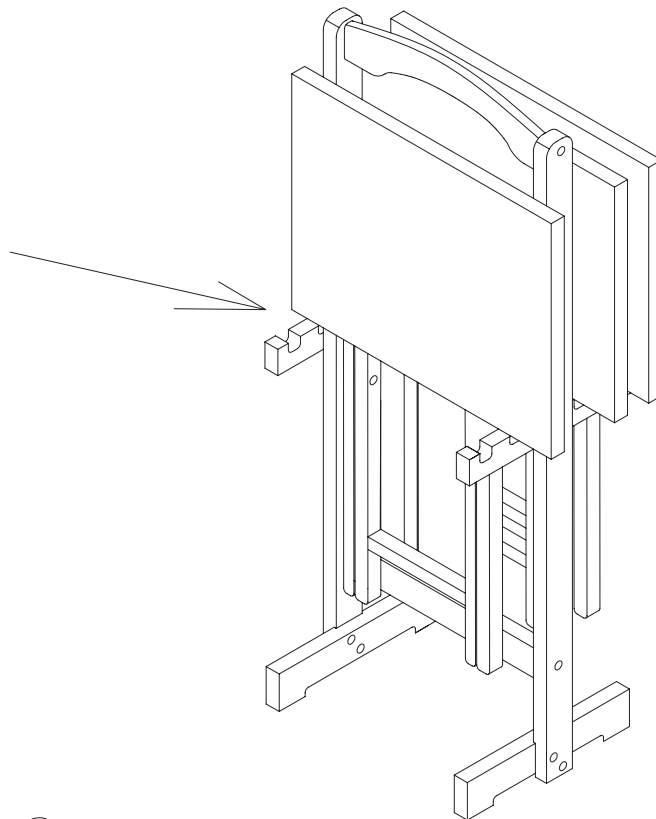
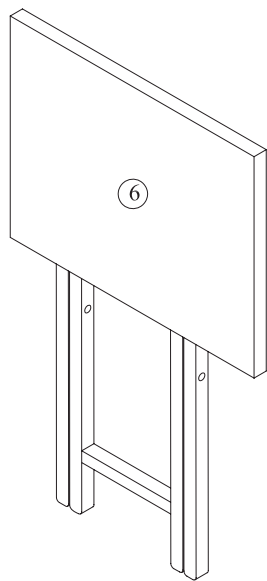
PARS	DESCRIPTION	QTY
1	HANDLE	01
2	POST	02
3	HANGING BAR	02
4	CROSSBAR	01
5	BASE	02
6	TRAY TABLE	04



# STEP 1:



# COMPLETED ASSEMBLY



## **LIMITED 6 MONTHS WARRANTY**

### **WHAT IS COVERED**

This product is covered under our manufacturer's 6 months limited warranty . To ensure your complete satisfaction, this warrants to the original purchaser that the supplied item is free from defects in material and workmanship, as of the date of purchase, and that it will under normal use and proper care, remain so for six months after the date of purchase. Replacement of missing or initially defective parts will be sent, at no charge, for a period of 30 days from the date of purchase with valid proof of purchase providing the parts are available in our warehouse and the item purchased is part of our current inventory.

### **WHAT IS NOT COVERED**

It remains the customer's responsibility for freight and packaging charges to and from the customer service center. Labor and material charges to remove or replace parts under this warranty are not covered. This warranty does not cover: Furniture used for commercial purposes, failures caused by improper installation assemblé or by improper care, unreasonable or abusive use, freeze damage, acts of God, rust, purchased parts or return freight and packaging charges. Proof of purchase ( dated register receipt) is required for this warranty claims.