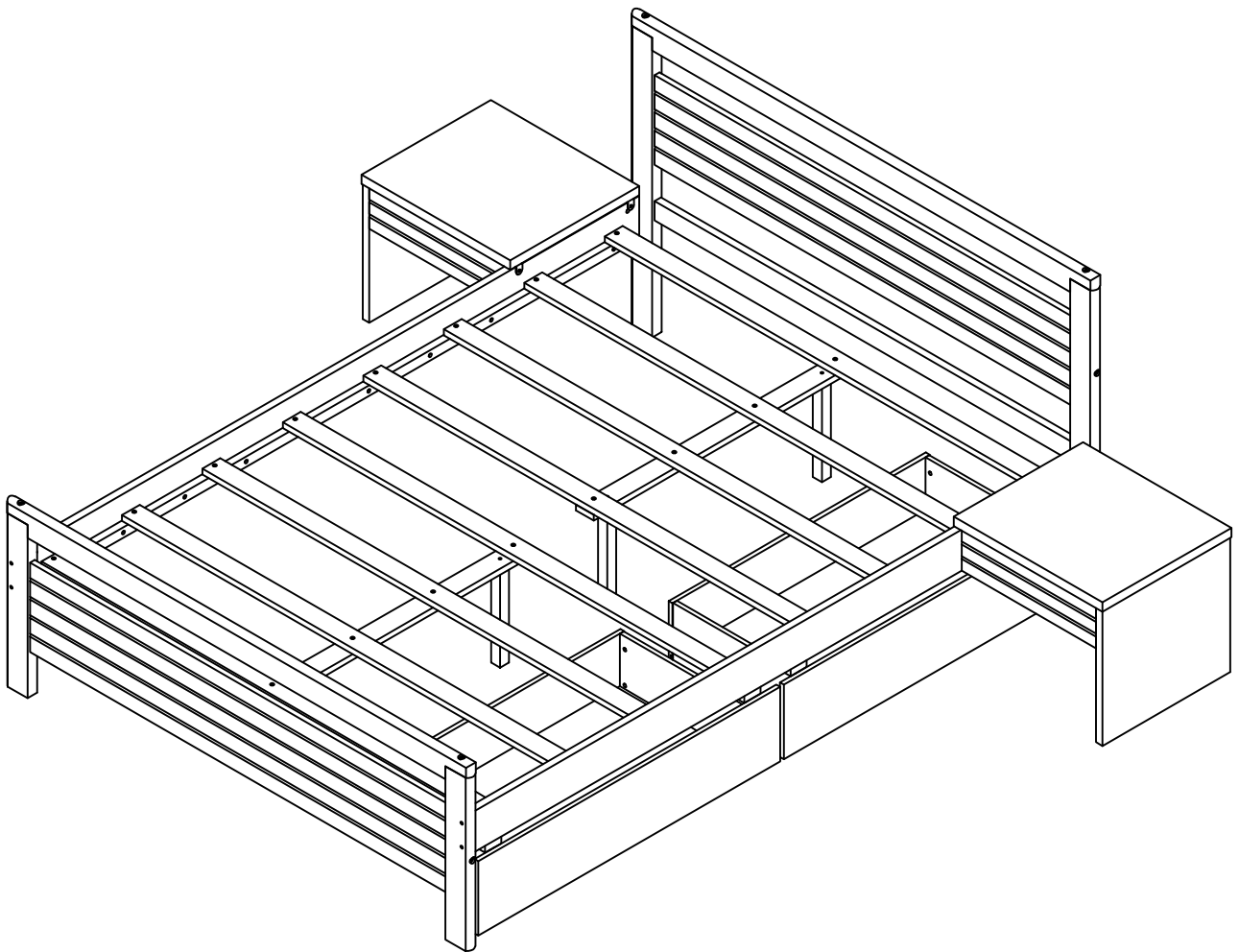


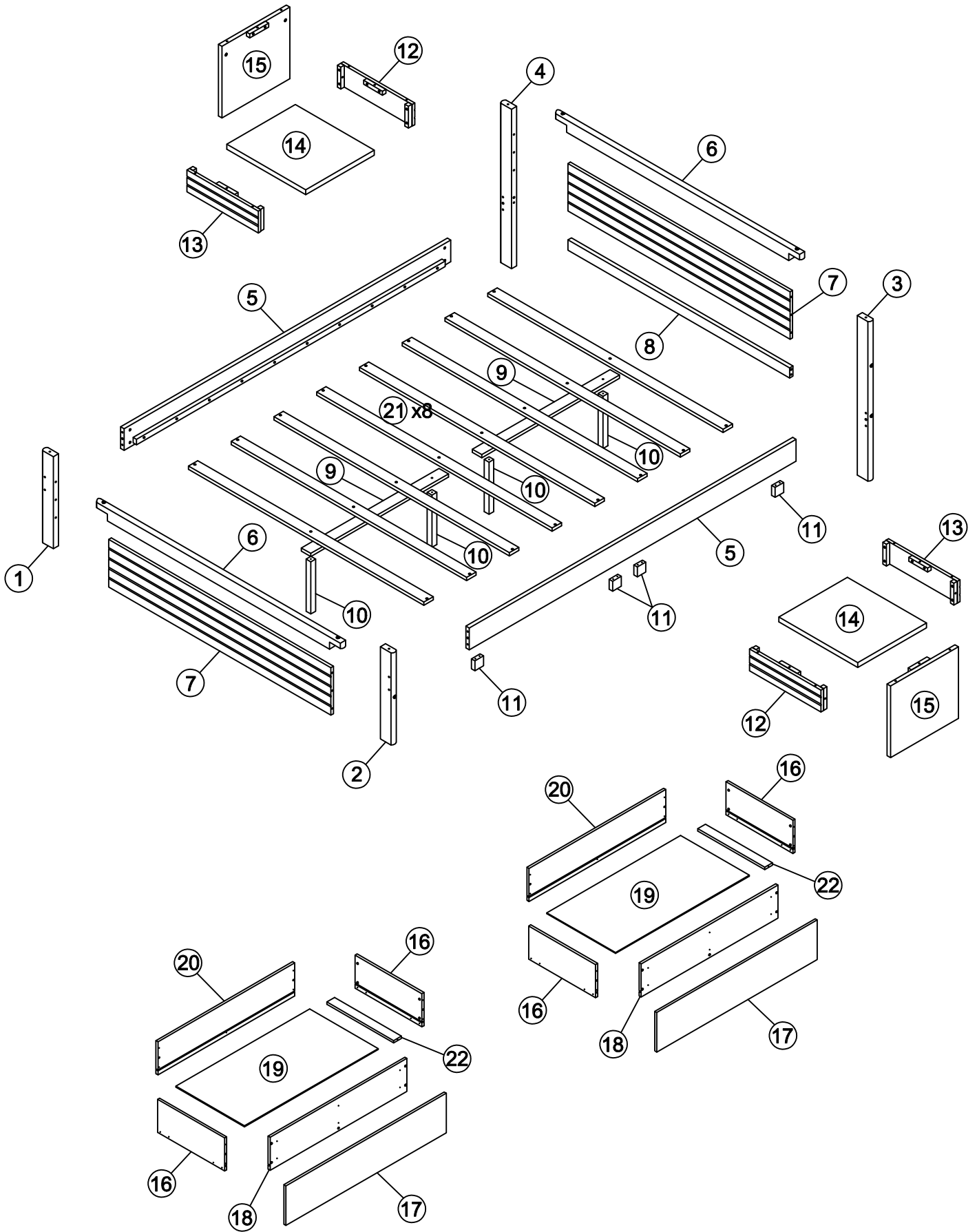
ASSEMBLY INSTRUCTIONS

FULL BED WITH 2 DRAWERS + TABLE




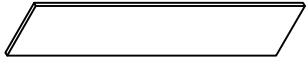

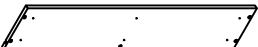
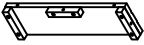

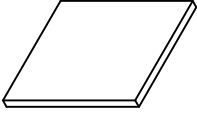

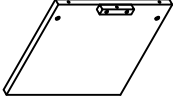
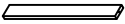

WF324737/WF324738

ASSEMBLY INSTRUCTIONS

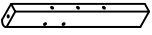
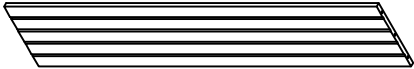
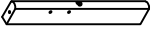
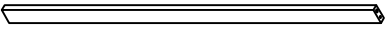
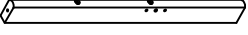
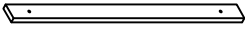
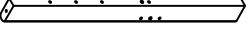
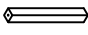
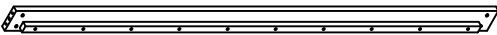
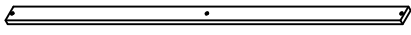
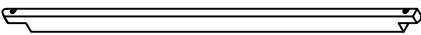


ASSEMBLY INSTRUCTIONS

WF324737





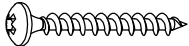


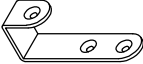


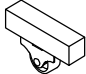






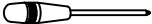
11	Drawers stopper		4pcs	17	Front drawers panel		2pcs
12	Front table panel		2pcs	18	Front drawers panel		2pcs
13	Back table panel		2pcs	19	Bottom drawers panel		2pcs
14	Top table panel		2pcs	20	Back drawers panel		2pcs
15	Side table panel		2pcs	22	Drawers support		2pcs
16	Side drawers panel		4pcs				

WF324738 (Hardware in this SKU)

1	Leg		1pc	7	Headboard frames		2pcs
2	Leg		1pc	8	Headboard panel		1pc
3	Leg		1pc	9	Center rails		2pcs
4	Leg		1pc	10	Center rails support legs		4pcs
5	Side rails		2pcs	21	Slats		8pcs
6	Headboard panel		2pcs				

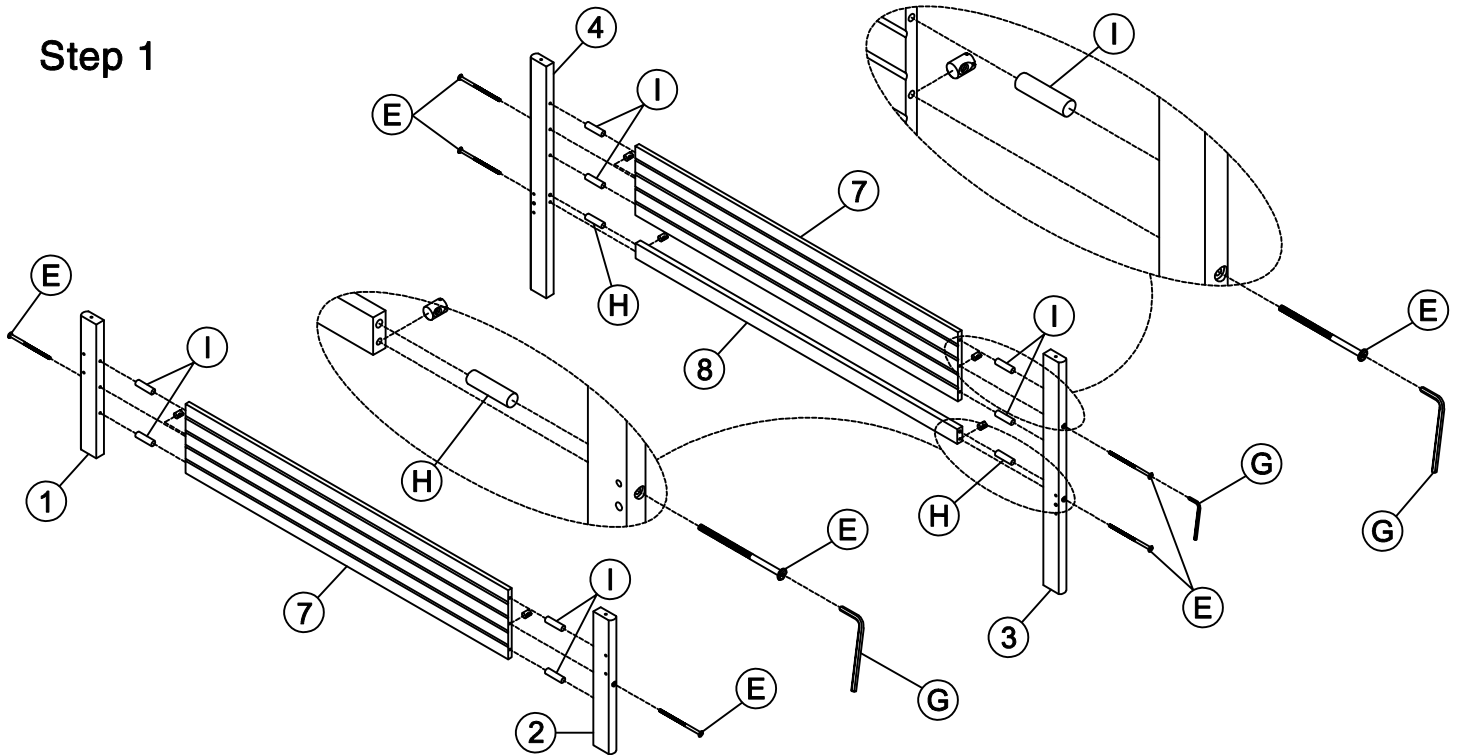
ASSEMBLY INSTRUCTIONS





WF324738 (Hardware in this SKU)

A	Ø4x30		48PCS	I	Ø8x30		28PCS
B	Ø4x15		12PCS	J	9x10		20PCS
C	Ø4x38		20PCS	K	1/4x30		10PCS
D	Ø4x20		12PCS	L	70x18x2		4PCS
E	1/4x110	 	6PCS	M			8PCS
F	1/4x75	 	12PCS	N	6.5x50		4PCS
G	4x58		1PC	O	1/4x25		4PCS
H	Ø10x40		6PCS		Phillip head screw Not include		

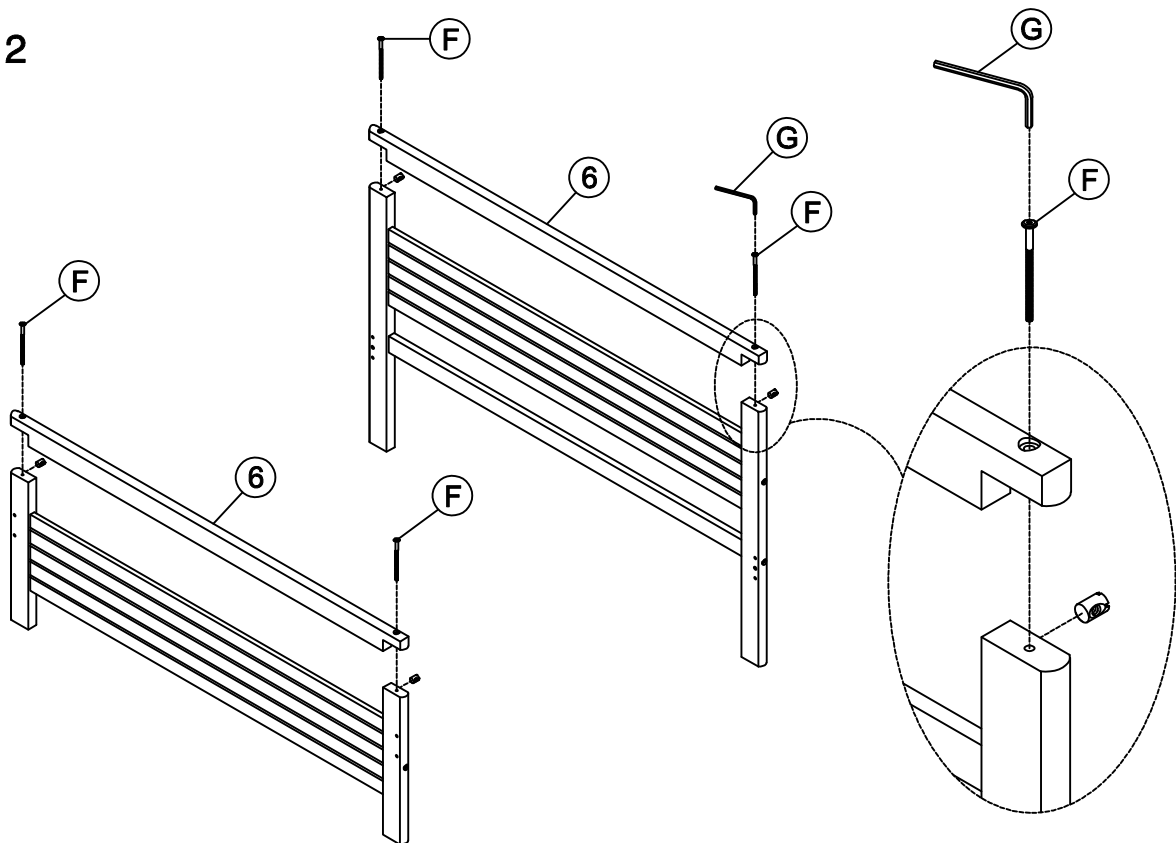
ASSEMBLY INSTRUCTIONS



Step 1



G	4x58		1PC	H	Ø10x40		2PCS
E	1/4x110		6PCS	I	Ø8x30		8PCS

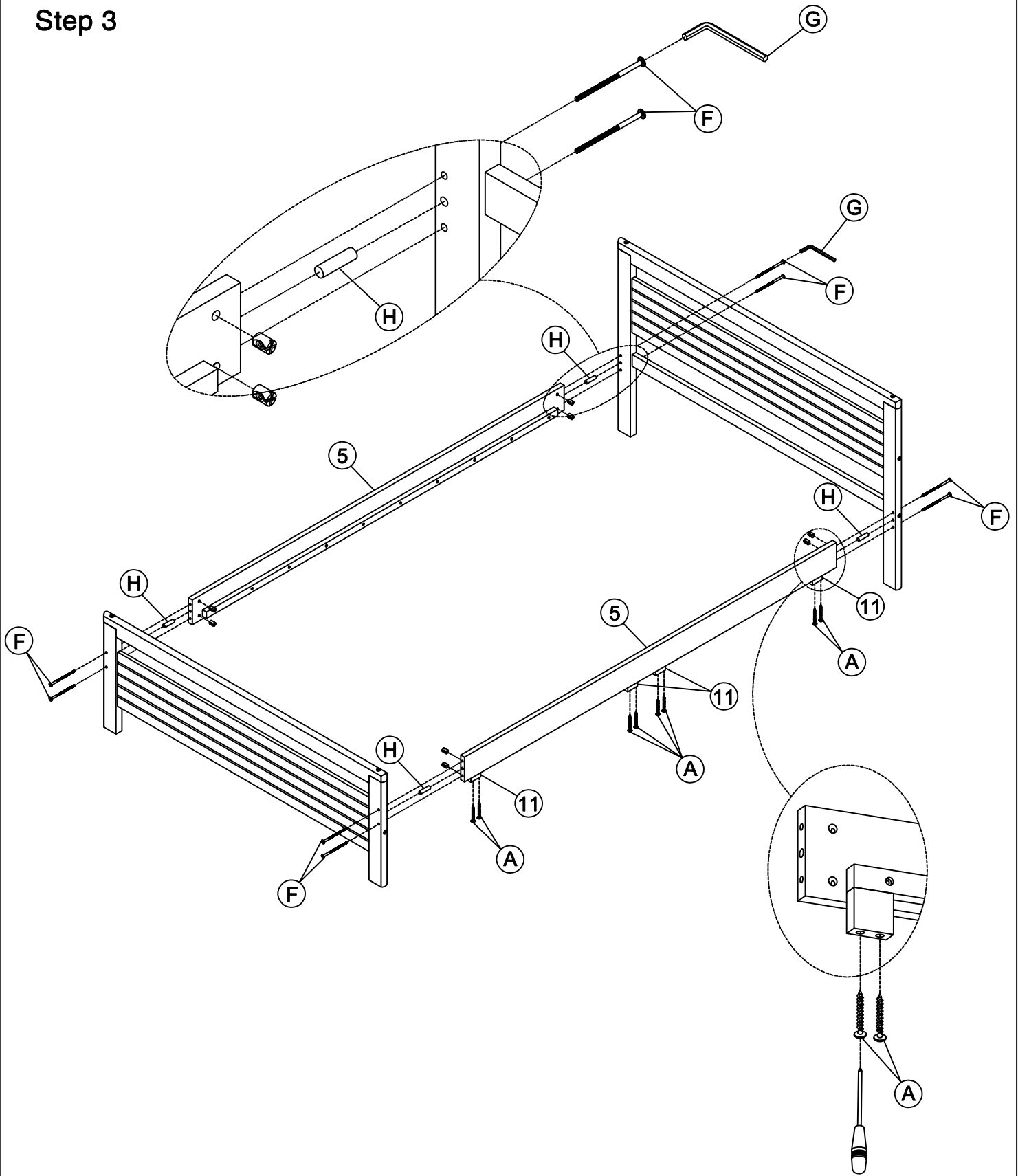
Step 2

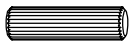






F	1/4x75		4PCS	G	4x58		1PC
----------	--------	---	------	----------	------	---	-----

ASSEMBLY INSTRUCTIONS

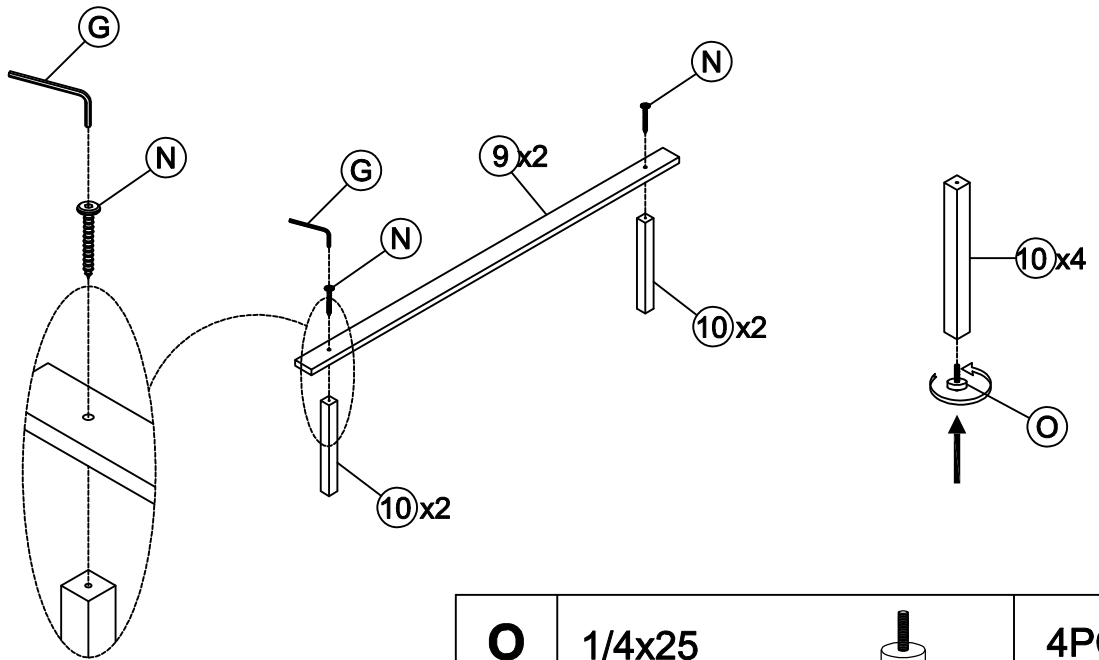
Step 3






H	Ø10x40		4PCS	A	Ø4x30		8PCS
F	1/4x75	 	8PCS	G	4x58		1PC

ASSEMBLY INSTRUCTIONS

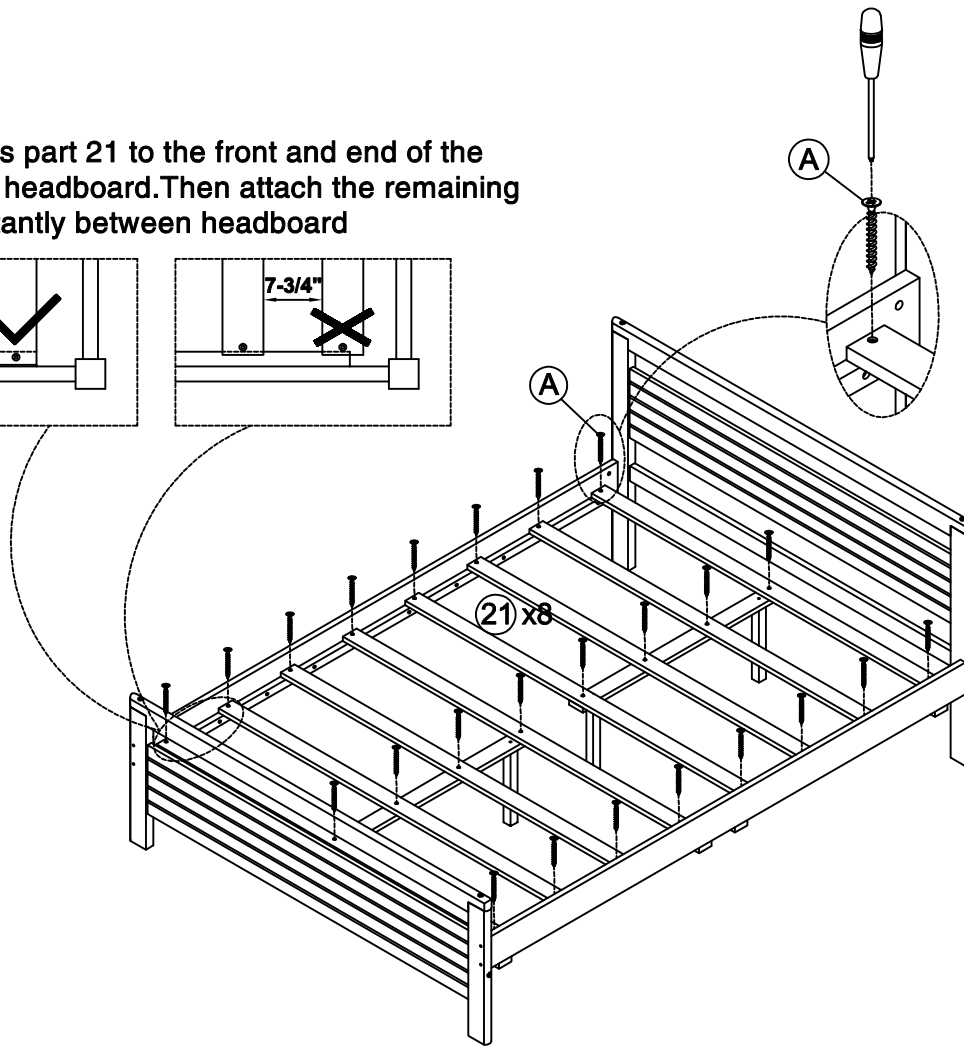
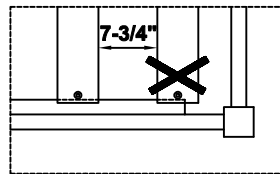
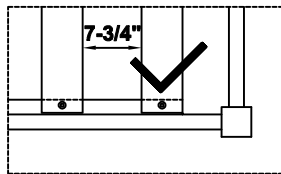
Step 4




O	1/4x25		4PCS
N	6.5x50		4PCS
G	4x58		1PC

Step 5

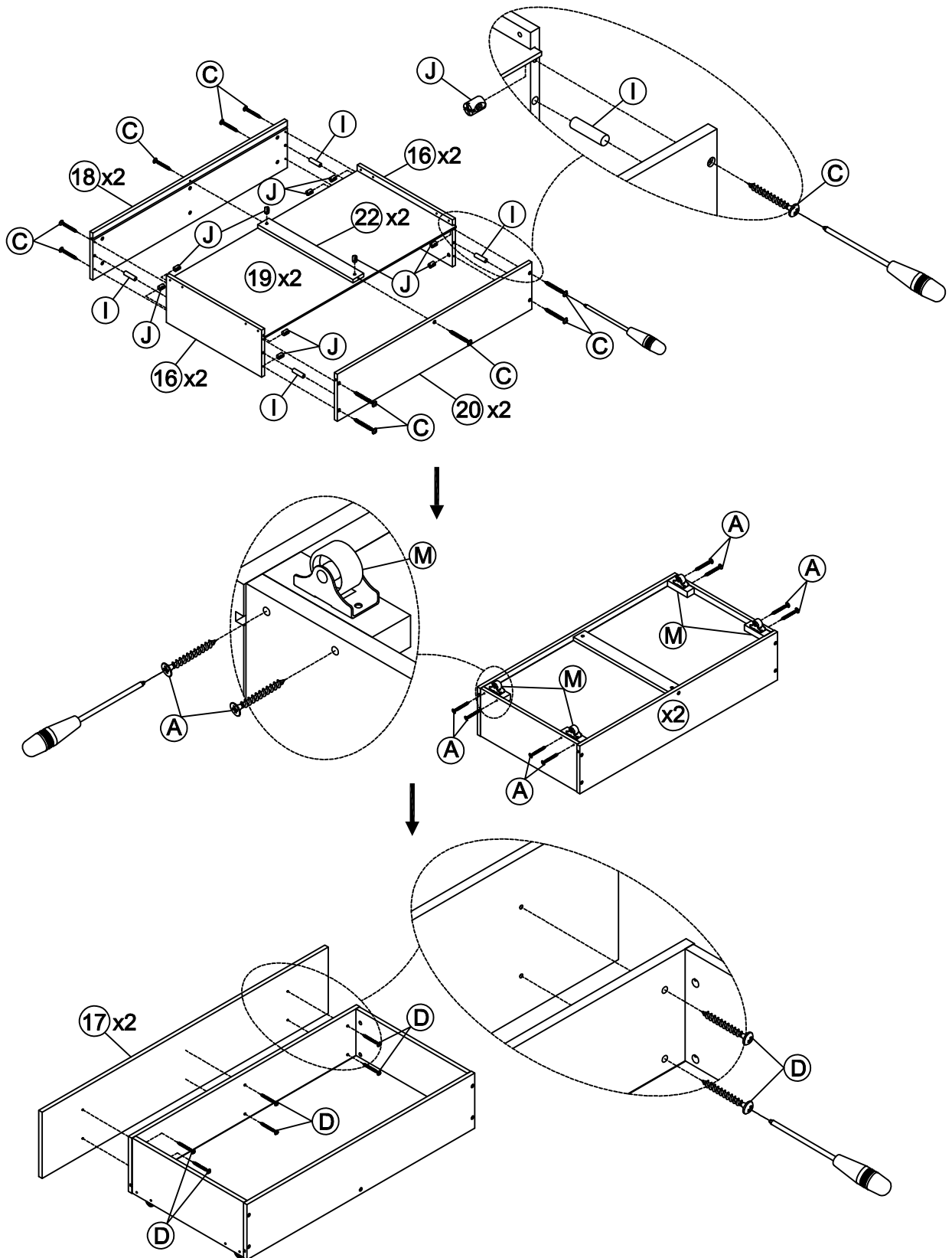
First attach 2pcs part 21 to the front and end of the frame between headboard. Then attach the remaining part 21 equidistantly between headboard




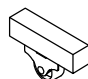




A	Ø4x30		24PCS
----------	-------	---	-------

ASSEMBLY INSTRUCTIONS

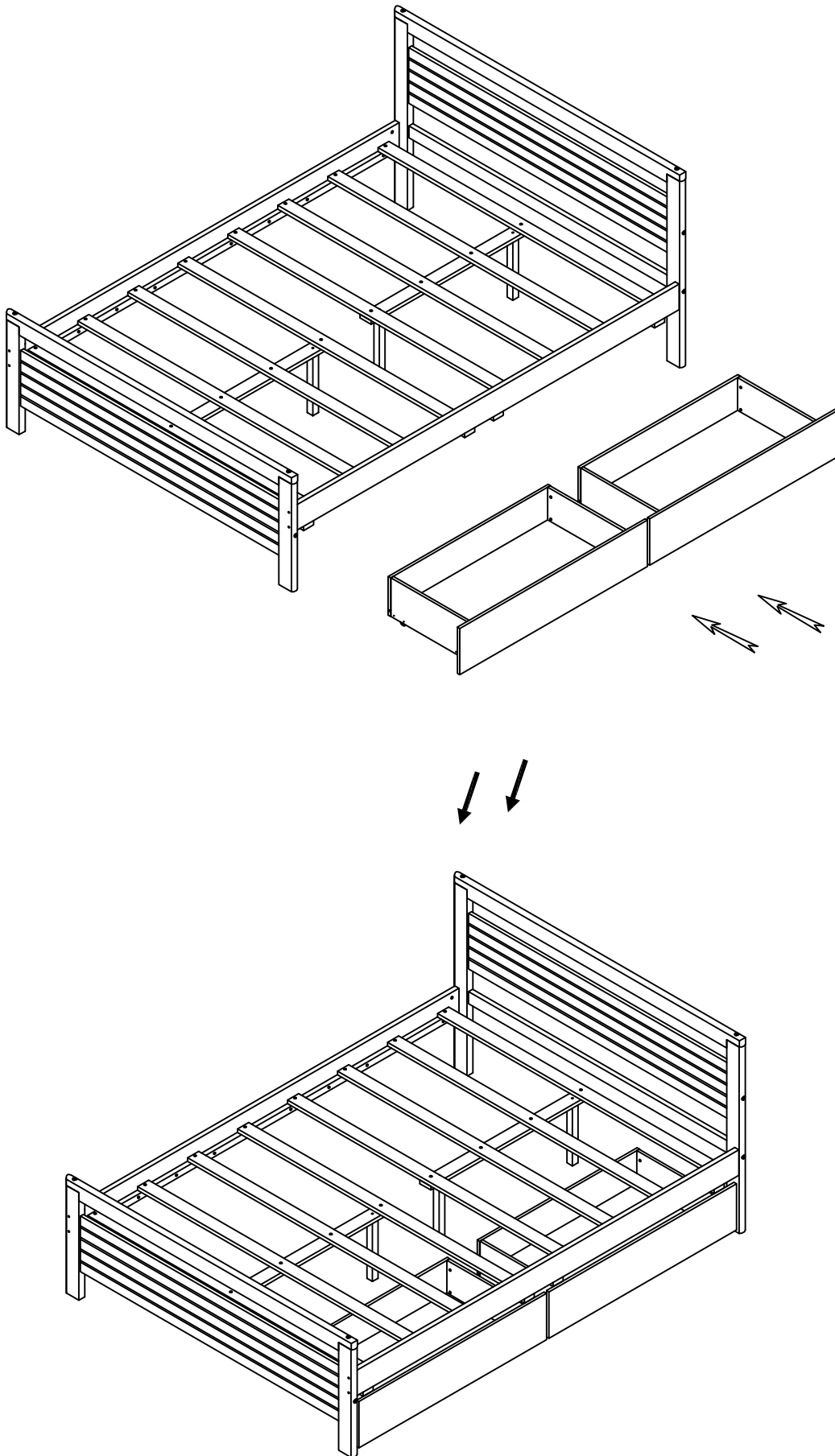
Step 6



A	Ø4x30		16PCS	J	9x10		20PCS
C	Ø4x38		20PCS	M			8PCS
D	Ø4x20		12PCS	I	Ø8x30		8PCS

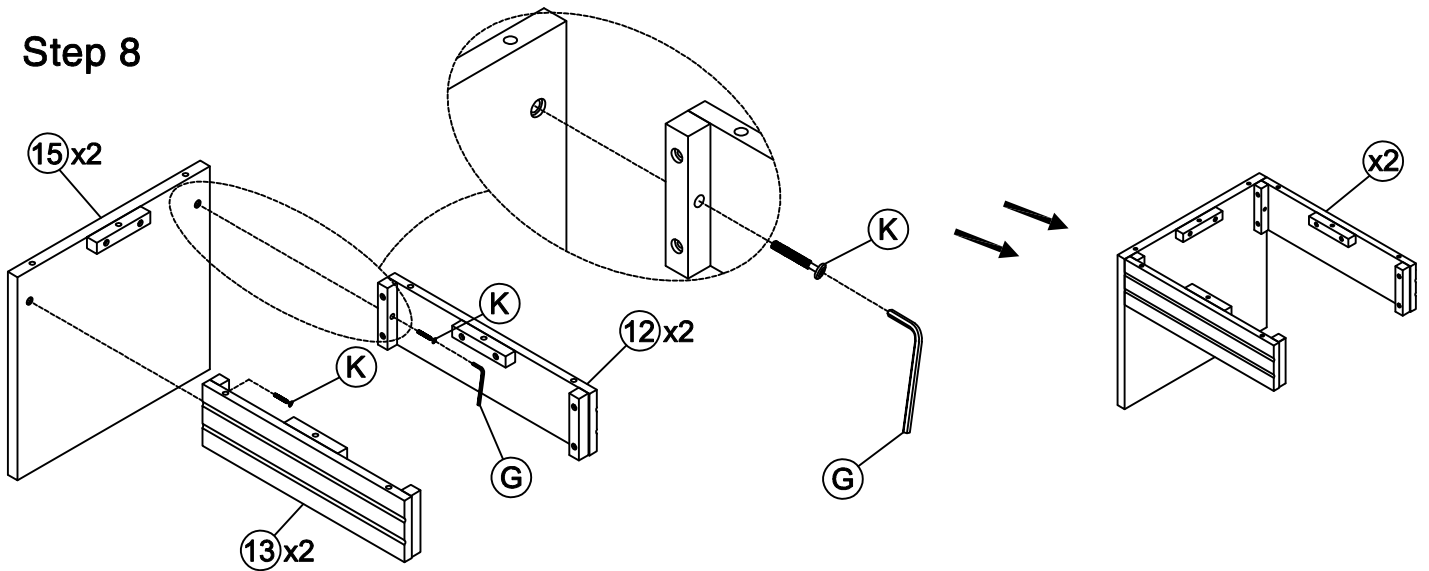
ASSEMBLY INSTRUCTIONS



Step 7



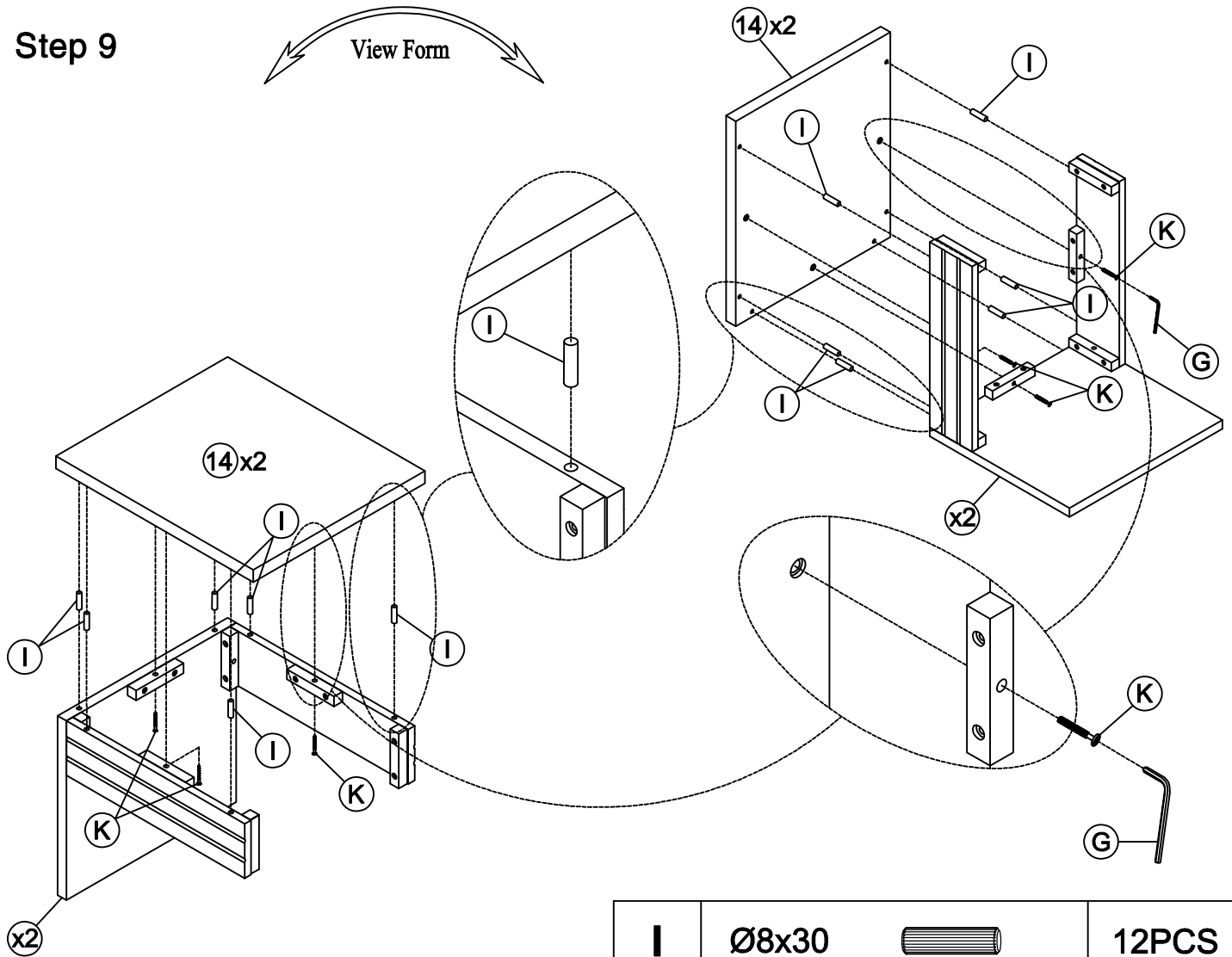
ASSEMBLY INSTRUCTIONS




Step 8



K	1/4x30		4PCS	G	4x58		1PC
----------	--------	---	------	----------	------	---	-----

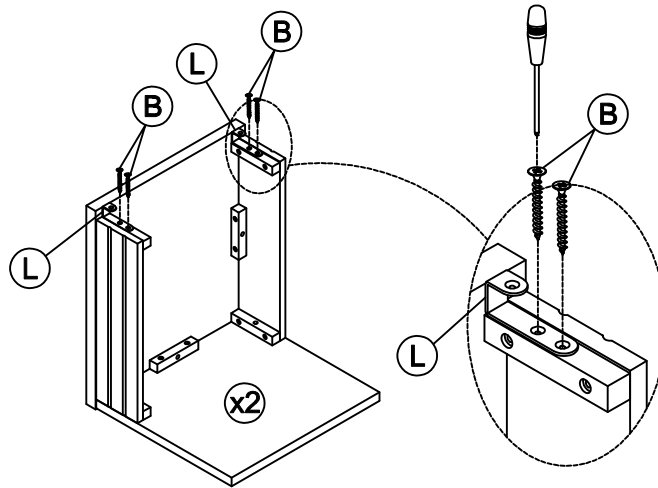
Step 9





I	Ø8x30		12PCS	K	1/4x30		6PCS	G	4x58		1PC
----------	-------	---	-------	----------	--------	---	------	----------	------	---	-----

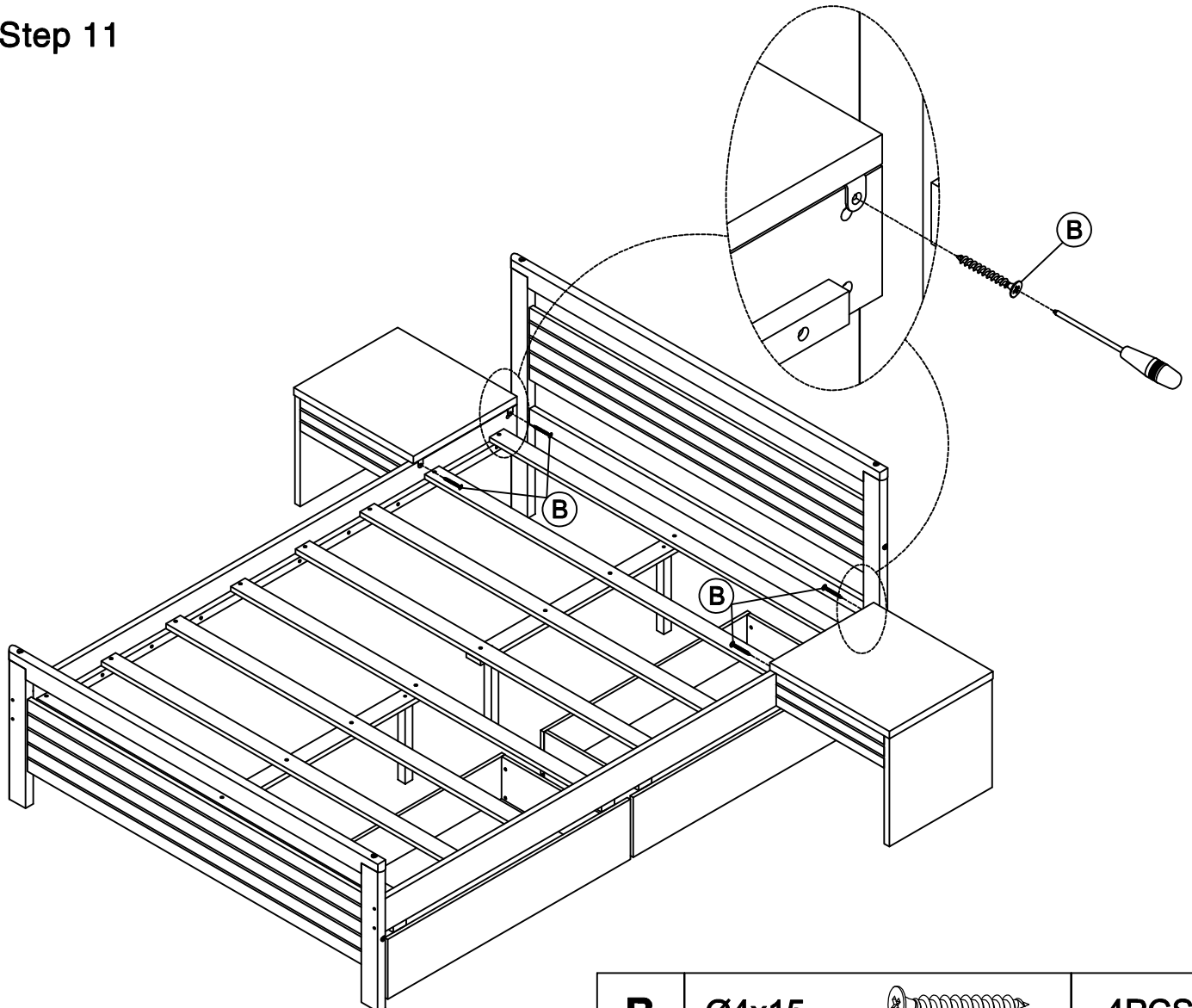
ASSEMBLY INSTRUCTIONS

Step 10



B	Ø4x15		8PCS	L	70x18x2		4PCS
----------	-------	---	------	----------	---------	---	------

Step 11



B	Ø4x15		4PCS
----------	-------	---	------