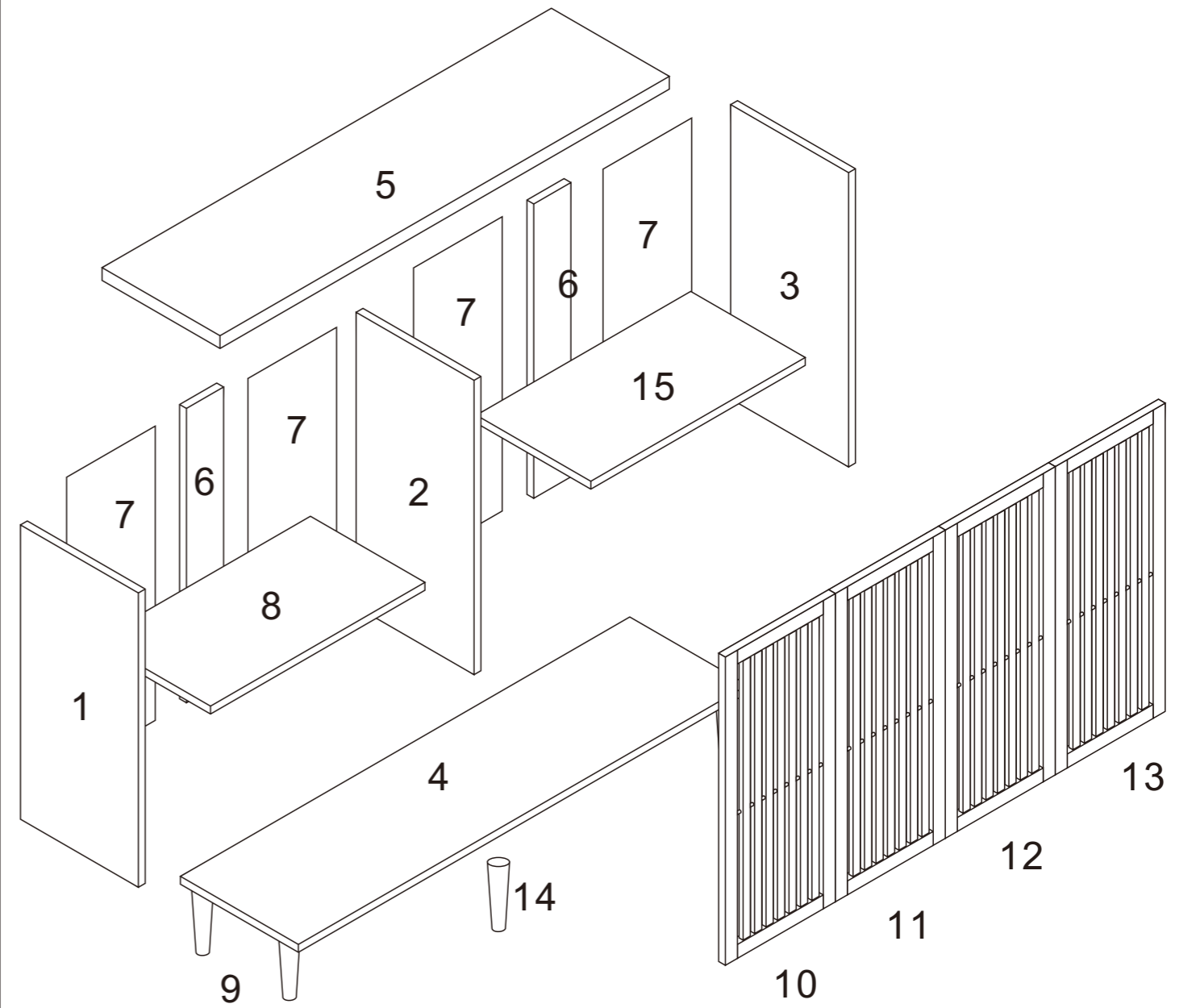
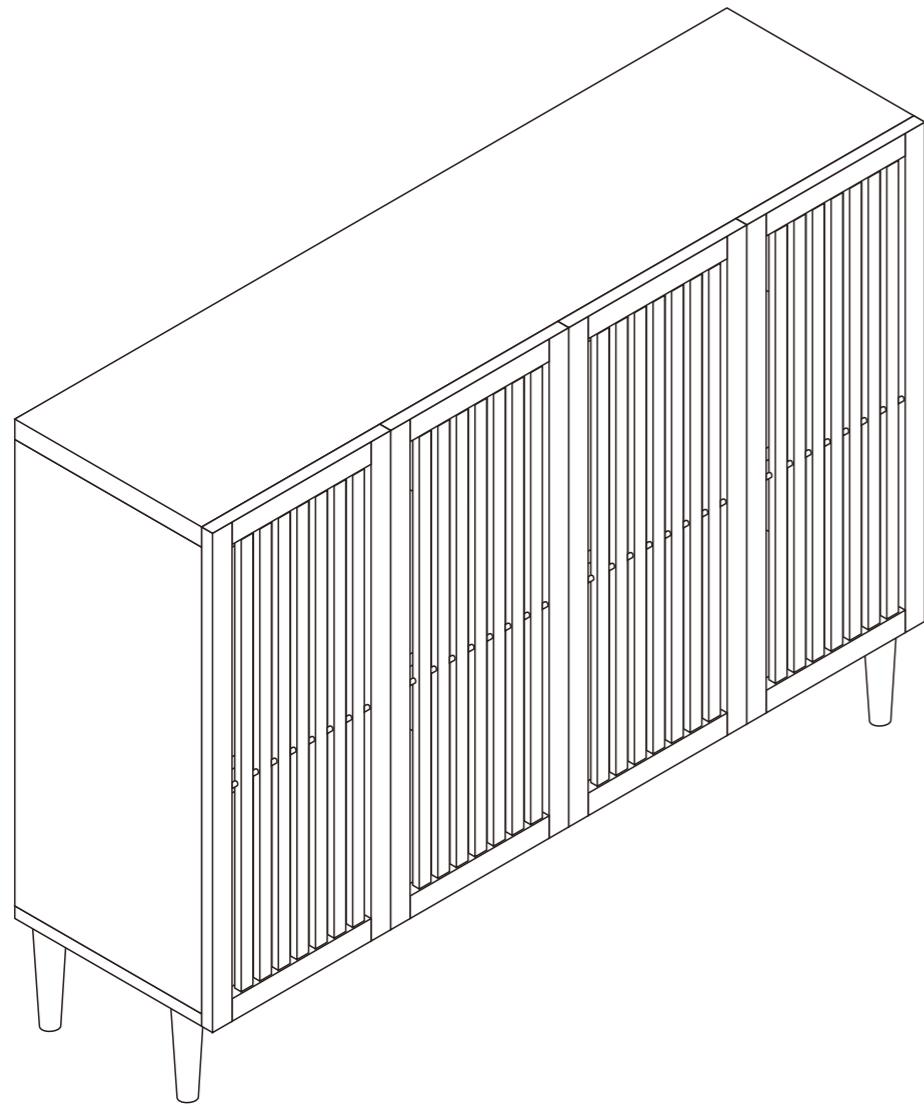

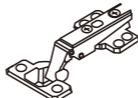
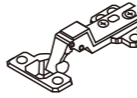




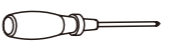










Assembly Instructions

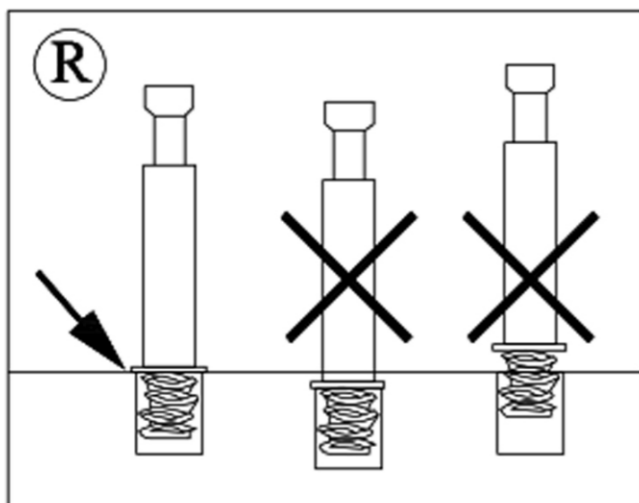
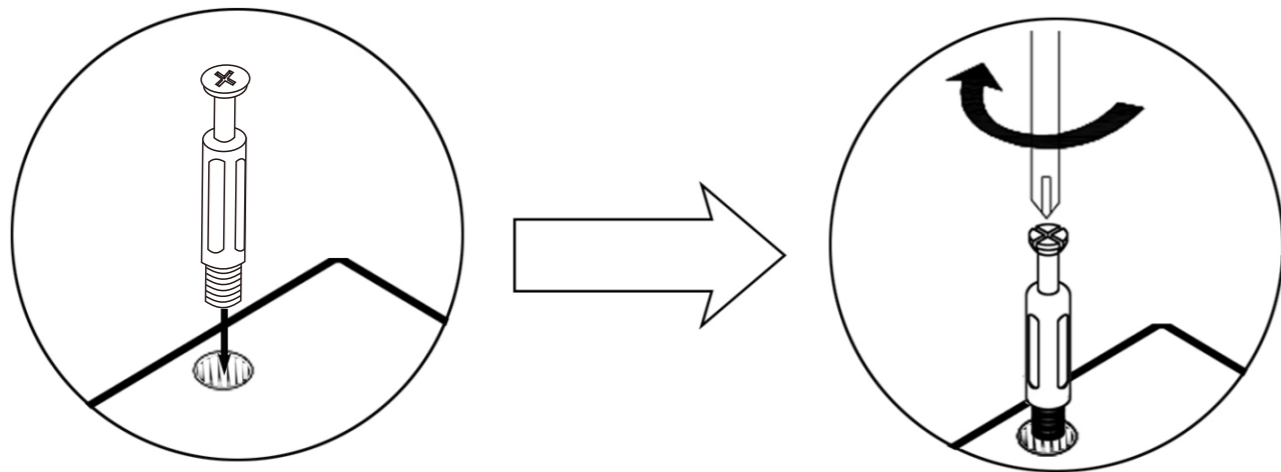


A  3.5x16mm x48+(4)	B  x4	C  x4	D  40mm x26+(2)	E  15mm x26+(2)	F  x2
G  x1	H  x1	I  x5	J  x16	K  3x14mm x16+(2)	KK  x2
LL  x2	OO  x2	NN  x4	MM  x2		



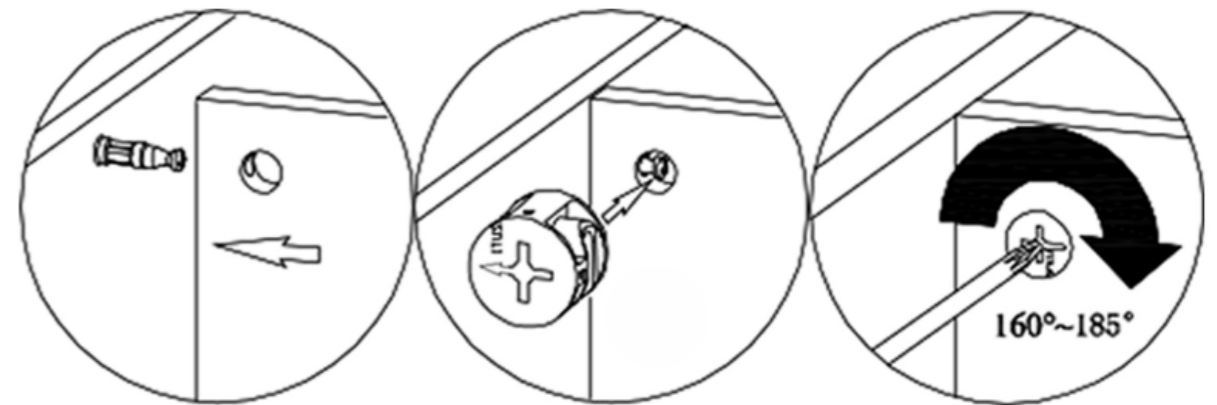
Hardware installation demonstration

- Please make sure hardware tightened and can't be pulled out

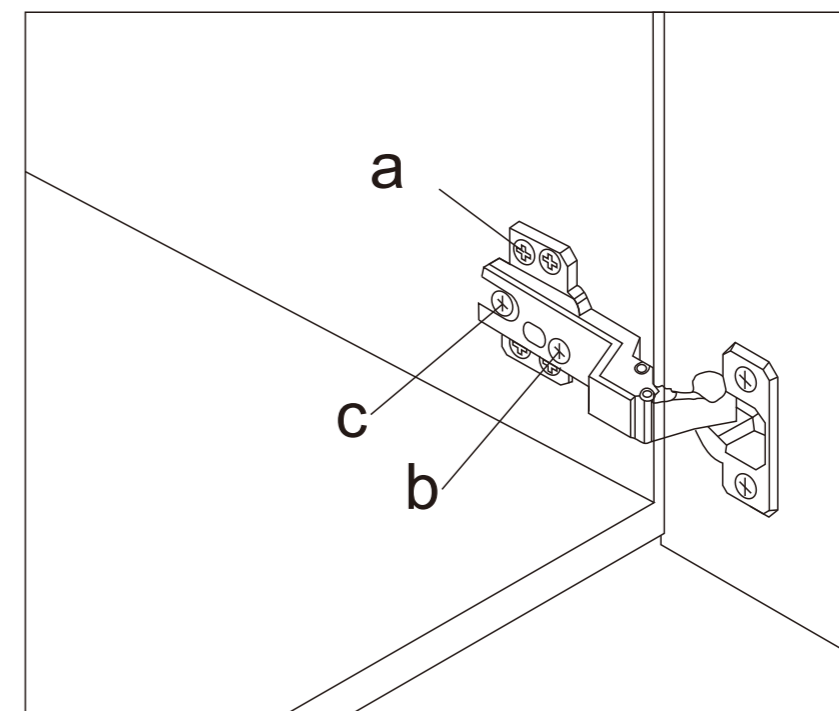


Hardware installation demonstration

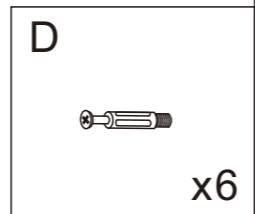
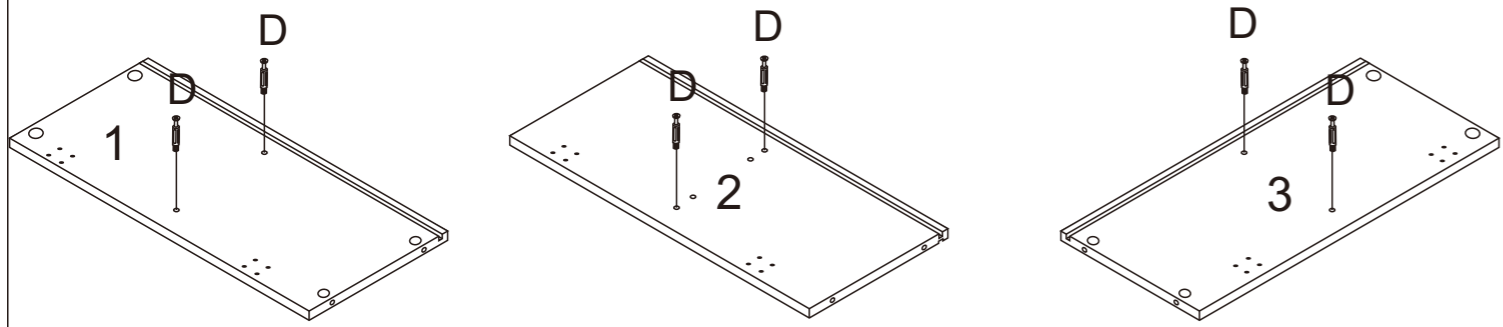
- When inserting cam ensure arrowhead on cam points toward to the hole on the panel edge



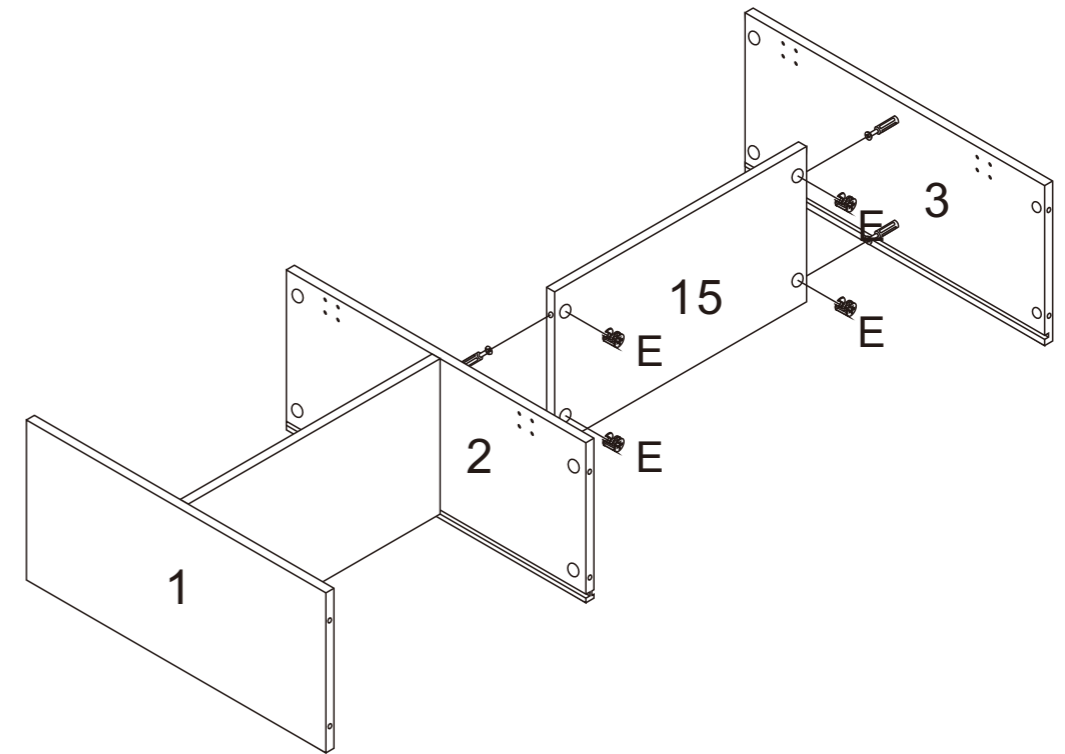
How TO ADJUST THE EUROPEAN ADJUSTABLE HINGES ON DOOR
If the doors require adjustment, follow the below options as needed: To adjust door up or down, loosen screws (a), adjust door and retighten screws. To adjust door left and right, turn screw (b) in or out. To adjust door in and out, loosen screw (c), adjust door and retighten screw.



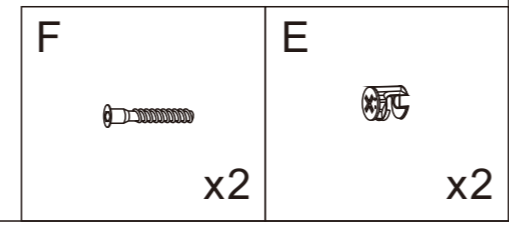
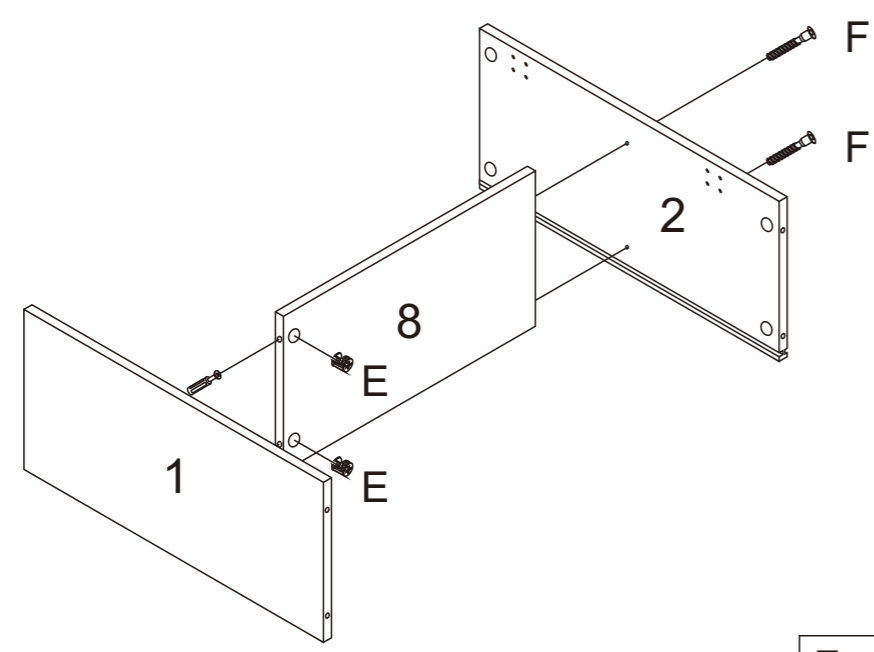
01



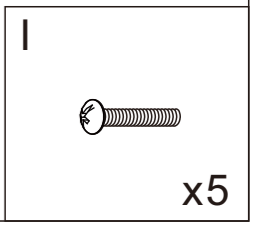
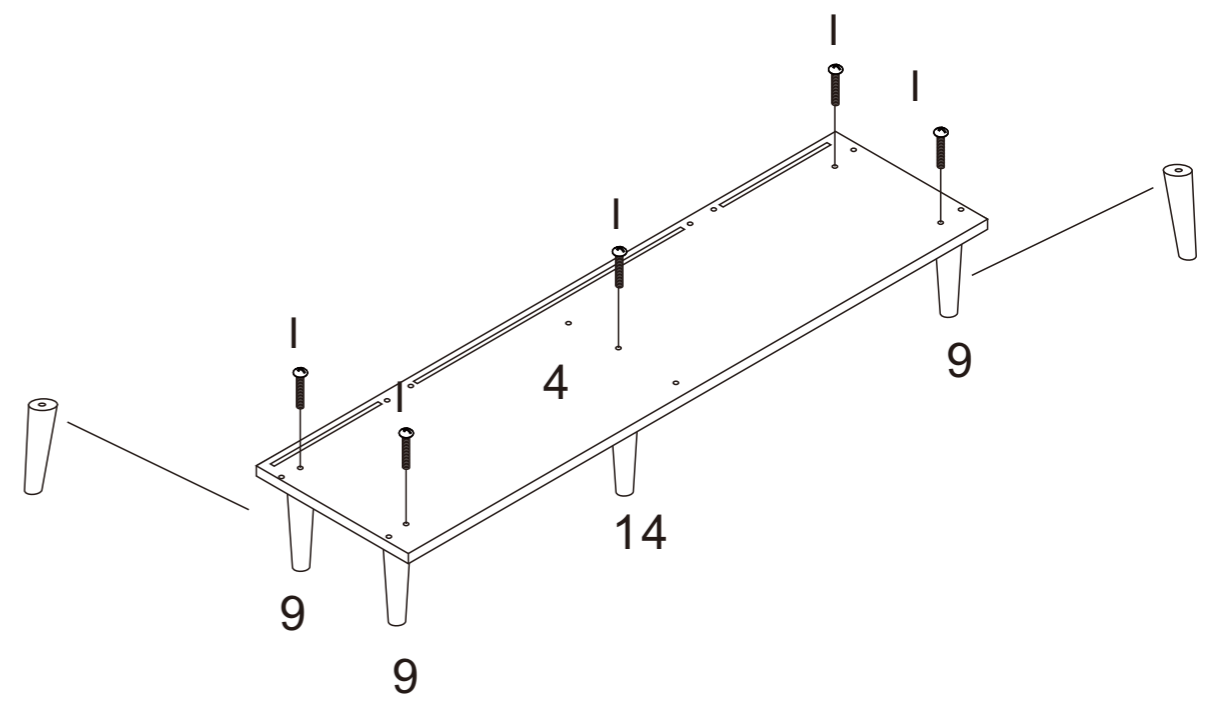
03



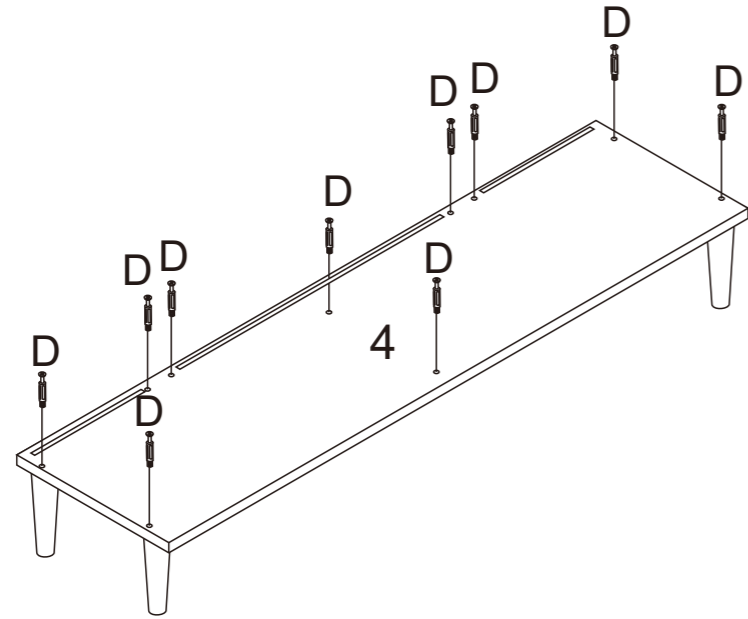
02



04



05

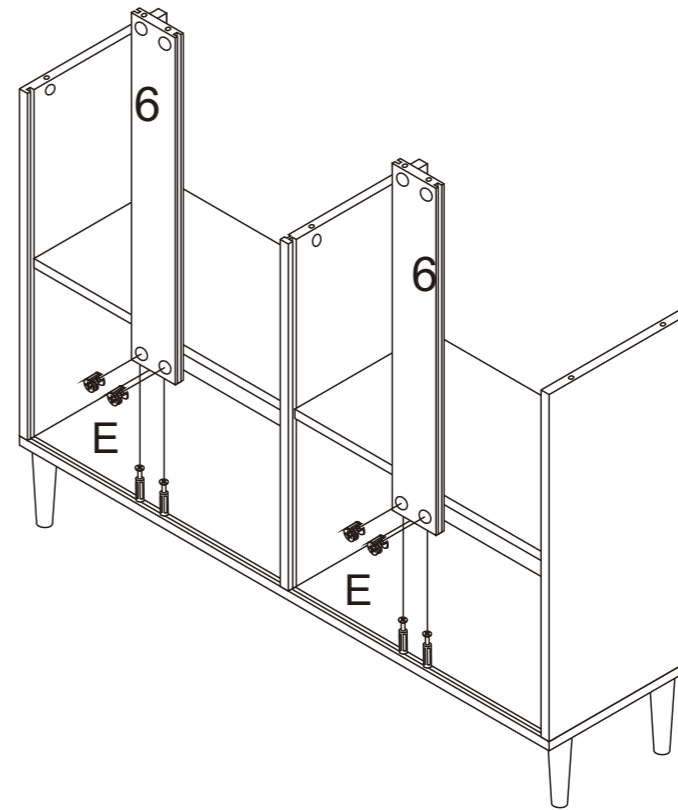


D



x10

07

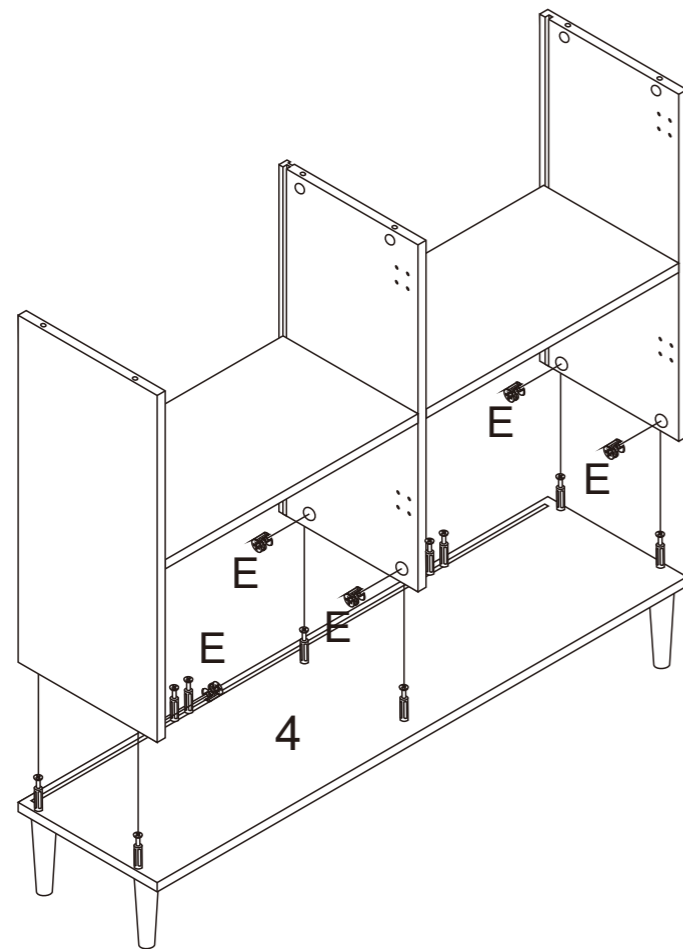


E



x4

06

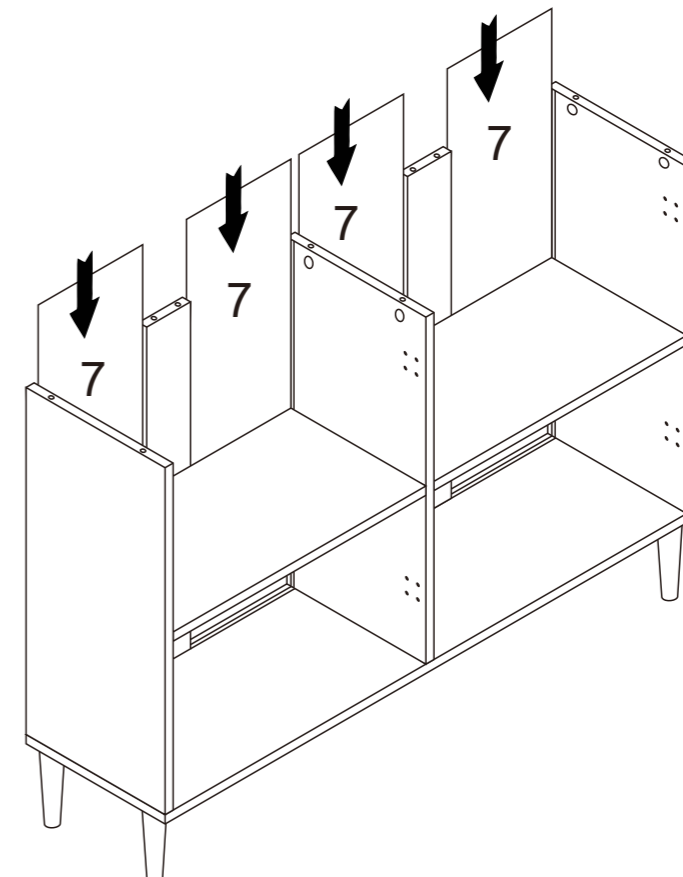


E

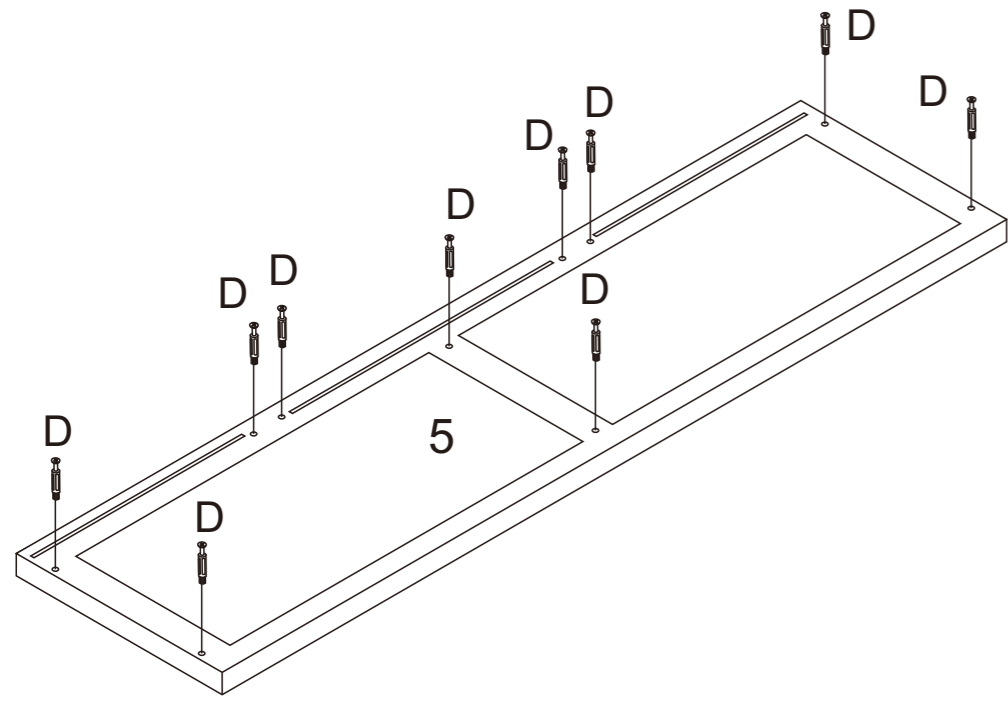


x6

08



09

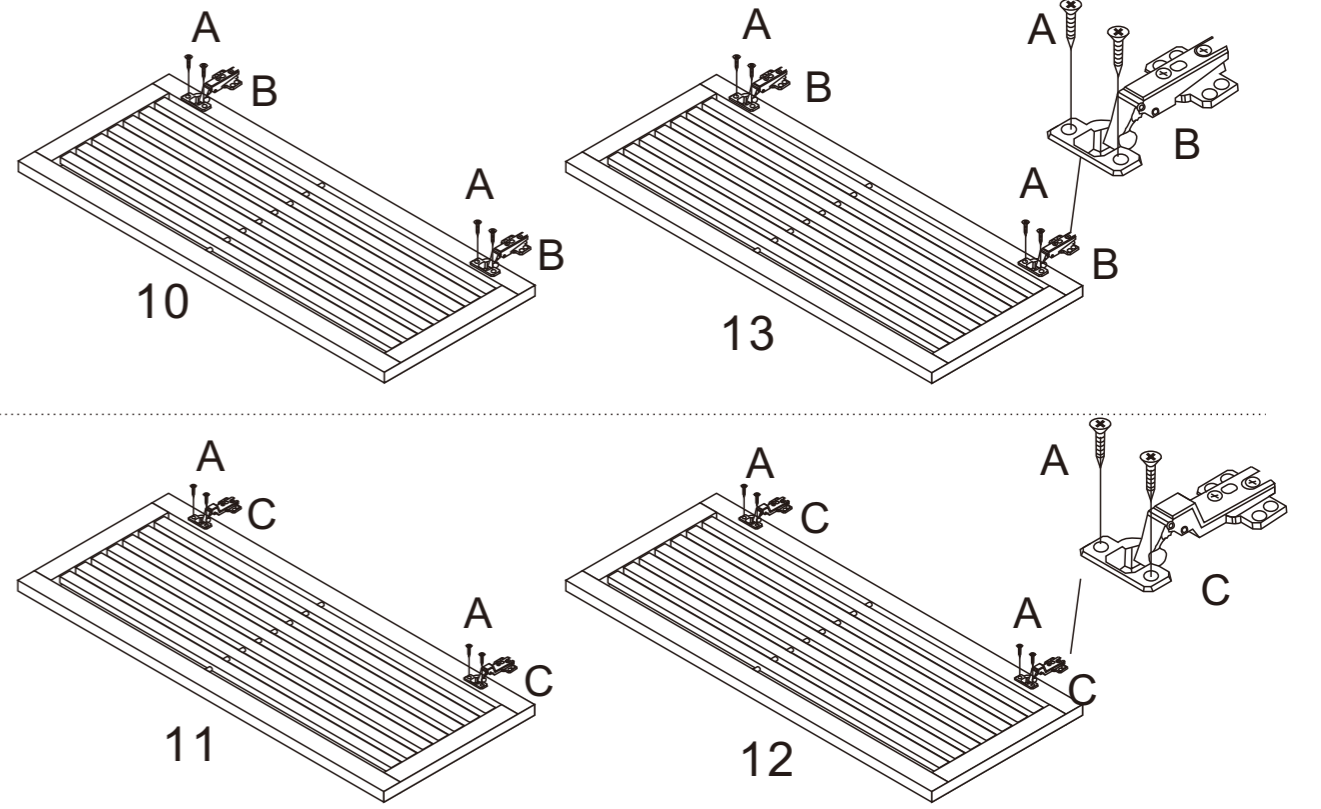


D



x10

11



A



x16

B



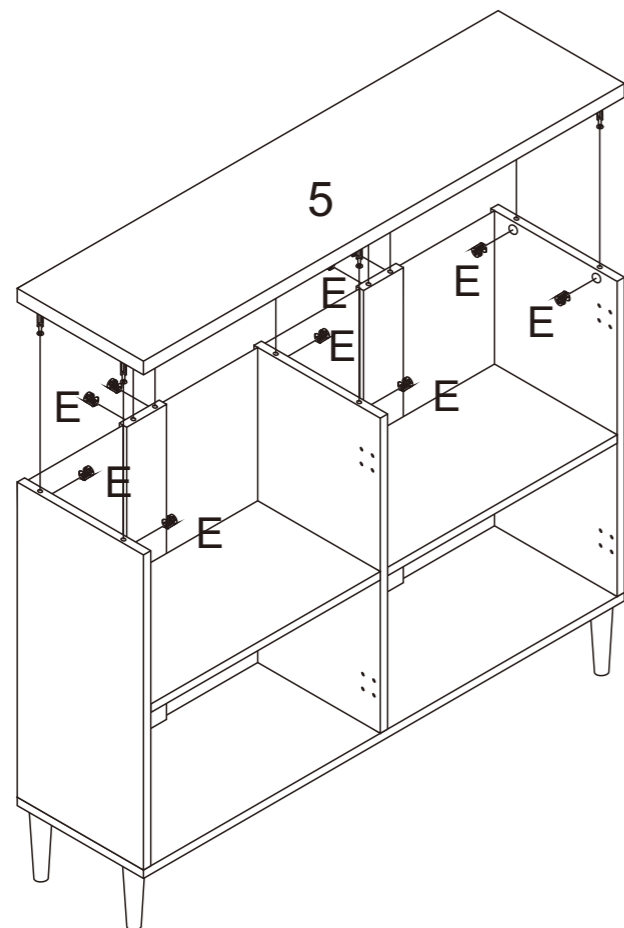
x4

C



x4

10

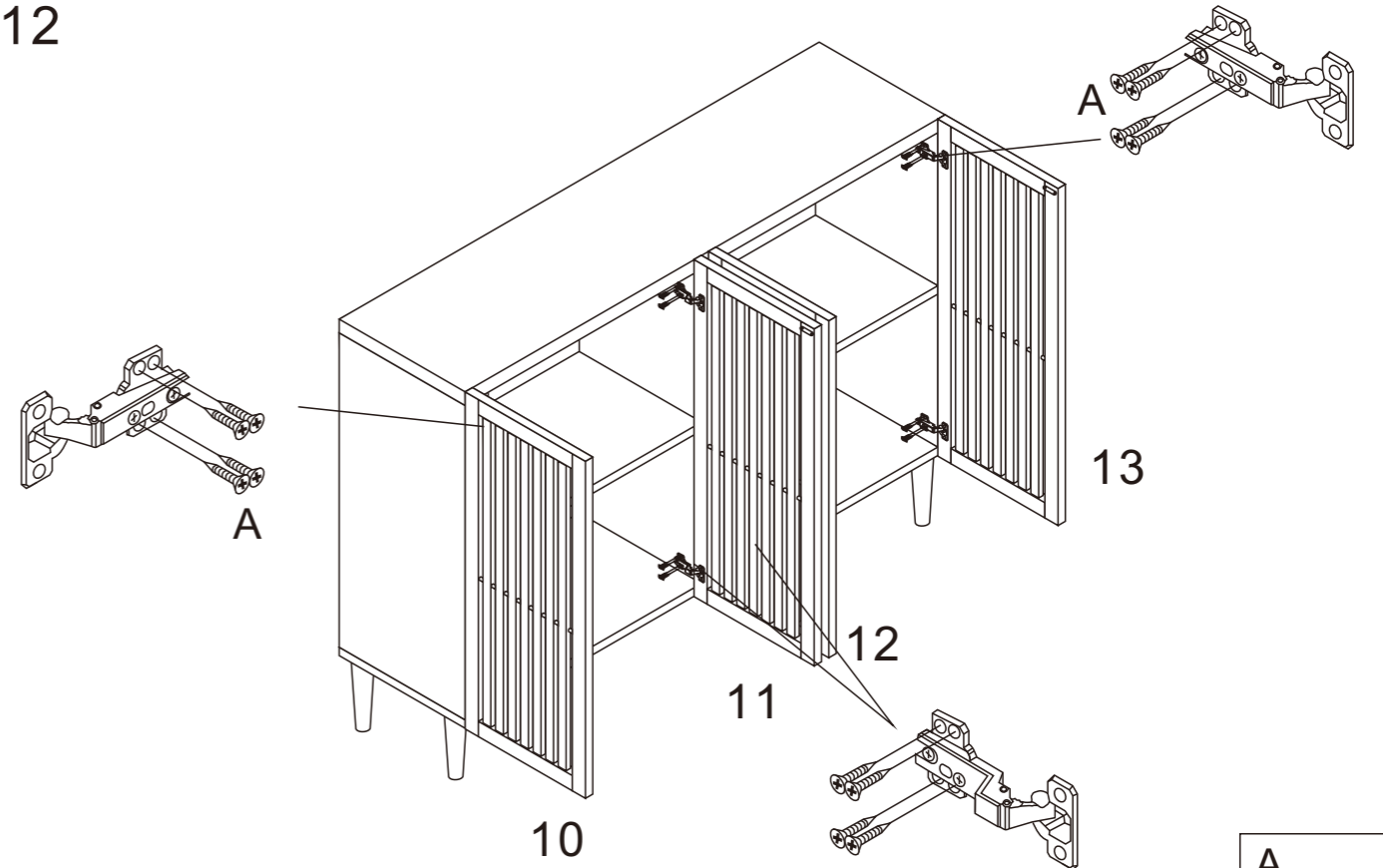


E



x10

12

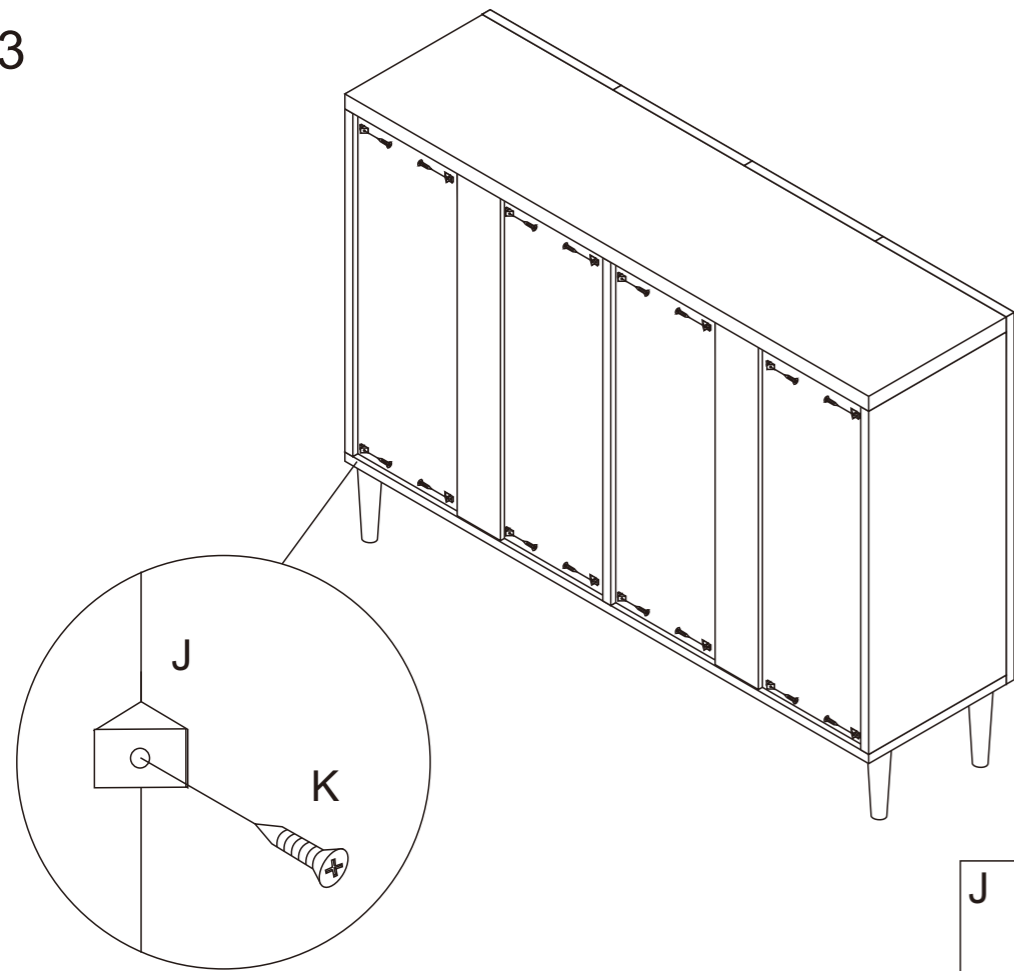




A



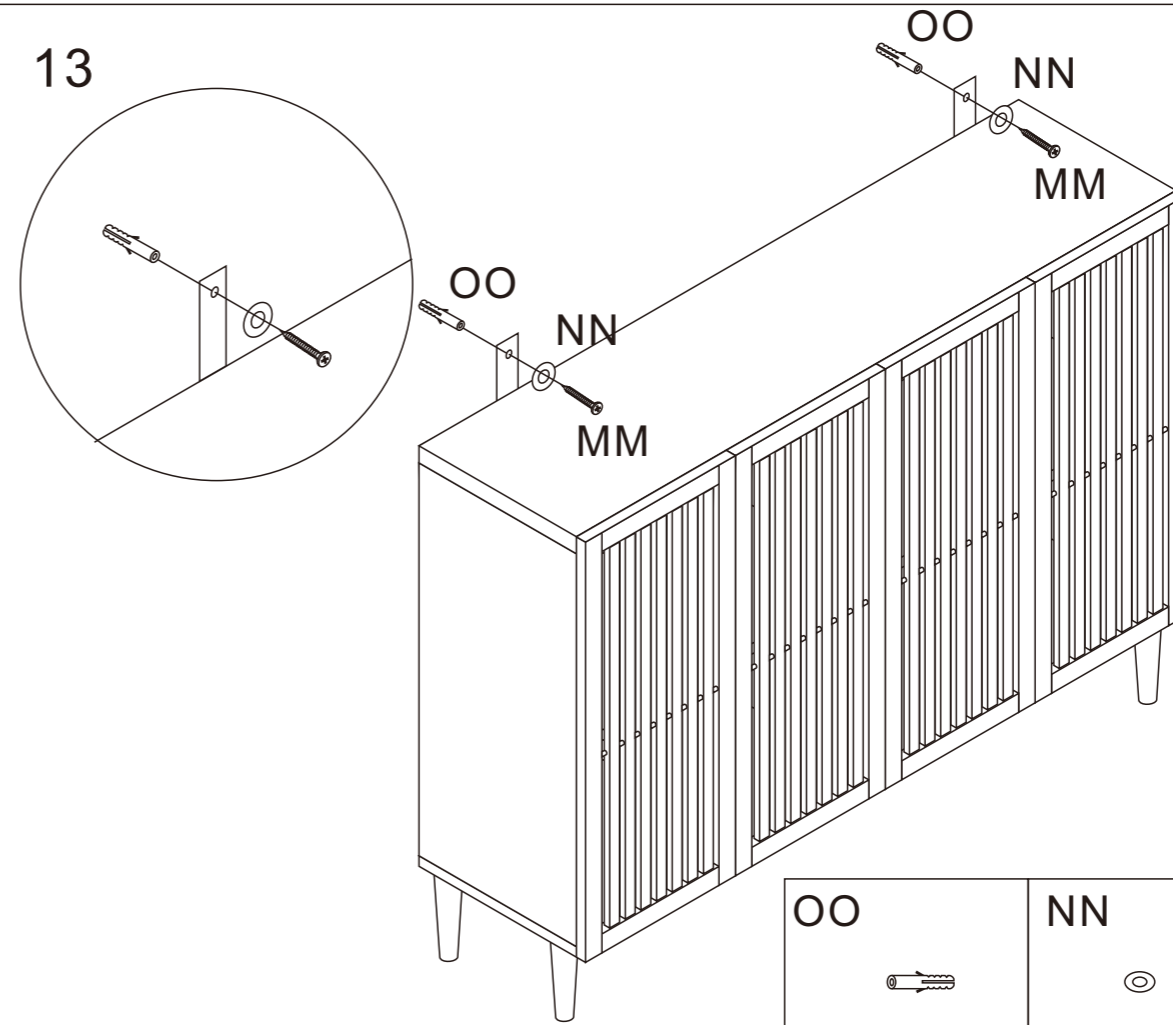
x32




13



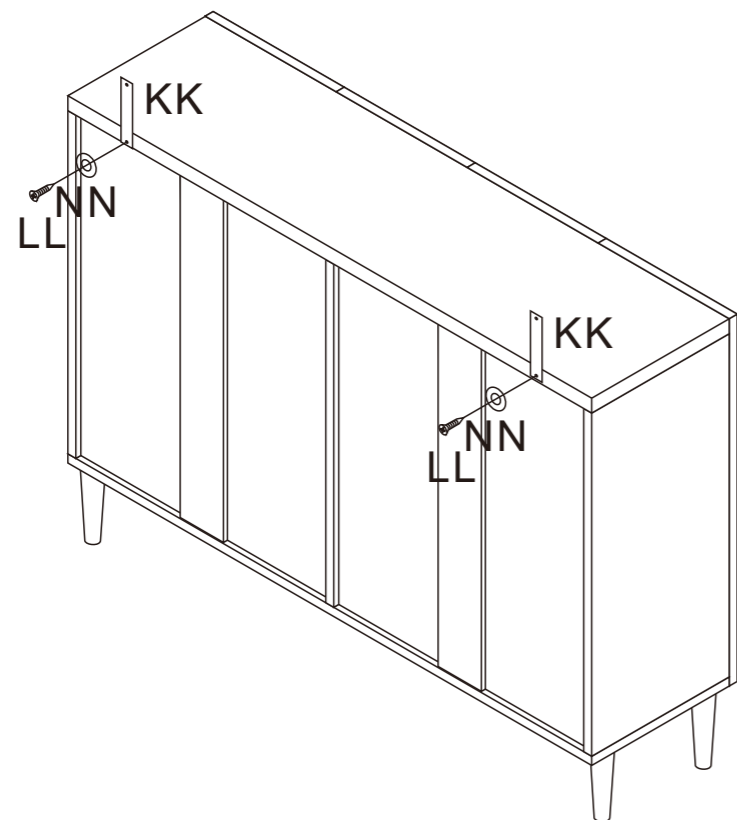
J	K
	
x16	x16




13



OO	NN	MM
		
x2	x2	x2

14



KK	LL	NN
		
x2	x2	x2

14

