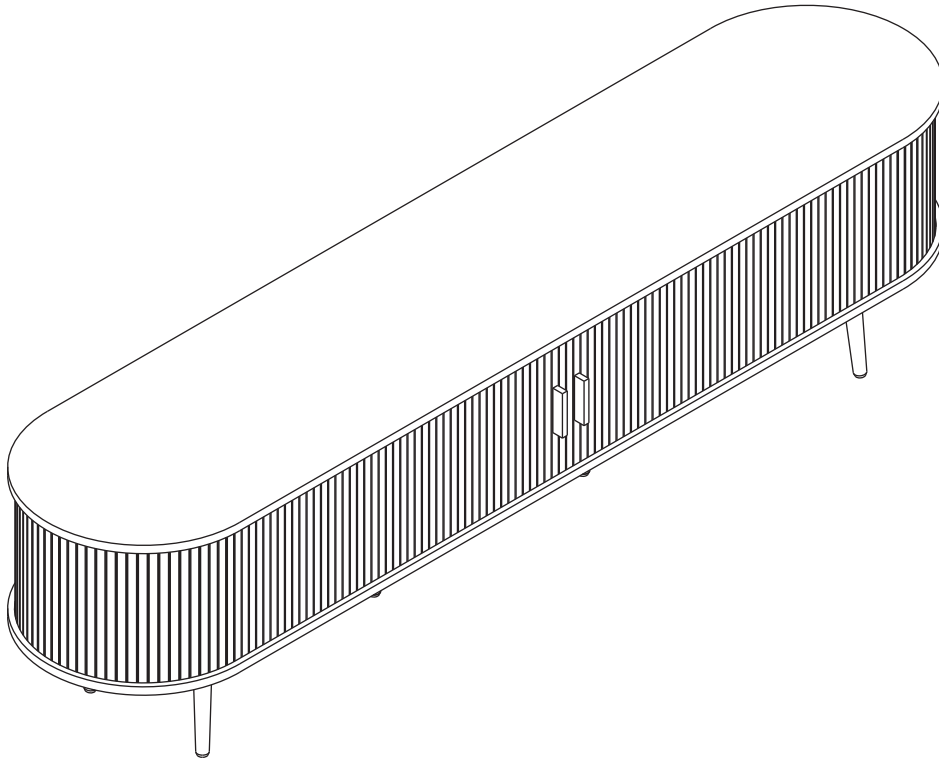
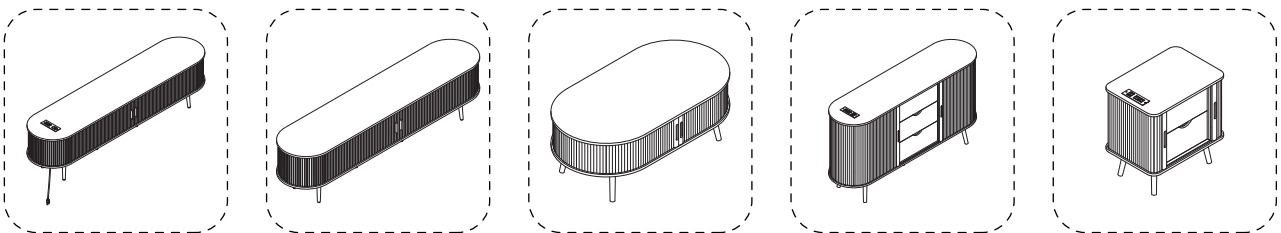


# ASSEMBLING INSTRUCTION



## Furniture Set



Warm Tips: If you experience any issues with damaged or missing parts, or notice a quality defect, we kindly ask you to share the part number along with photos of the issue. Once we have reviewed and confirmed the details, we will provide appropriate solutions, including arranging a replacement. We sincerely appreciate your understanding and patience! This instruction booklet contains important safety information. please read and keep for future reference.

## TIPS BEFORE YOU START

---

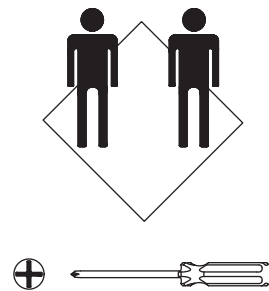
1. Please check that all parts are present before you start the assembly of your furniture.
2. For ease and speed of assembly, we recommend that before you commence each step of the assembly, that you identify all the parts required for that step.
3. For larger items, please ensure that you have sufficient space and people to assemble your product safely.
4. We recommend that, where possible, all items are assembled near to the area in which they will be placed in use, to avoid moving the product unnecessarily once assembled.
5. For the protection of your furniture, we recommend that the unit is assembled on a soft surface such as carpet or blanket to prevent any damage.
6. During assembly please take care not to over-tighten any fittings, as this may damage the product. Do not use power tools, as power tools can strip threads if over tightened.
7. Always place the product on a flat, steady and stable surface.
8. Do not stand on the product. Do not use the product as a stepladder.
9. This product is intended for indoor, household use only as it is a non-industrial product.
10. Please use caution and care when lifting the product to avoid personal injury and/or product damage.

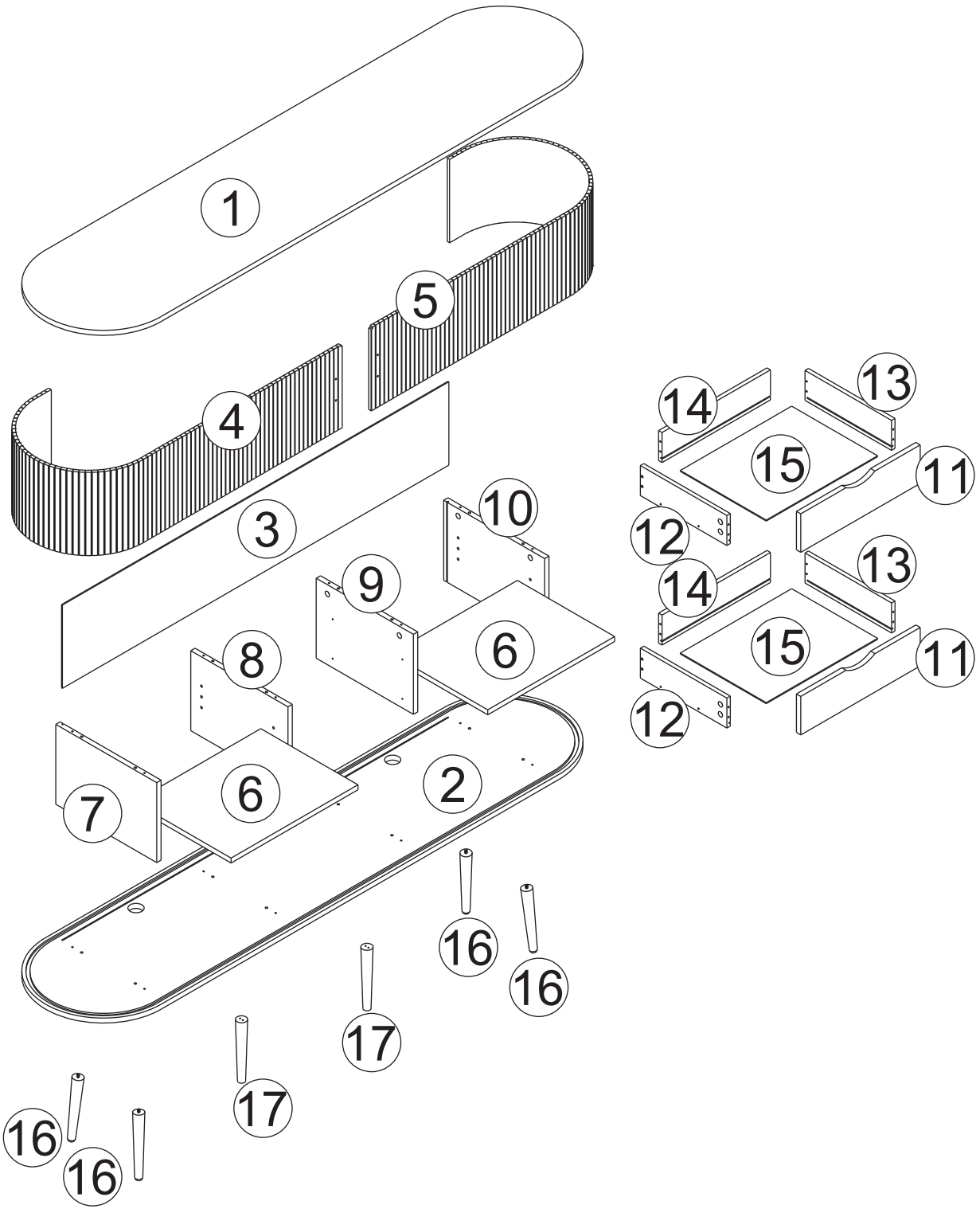
## CARE AND MAINTENANCE OF YOUR FURNITURE

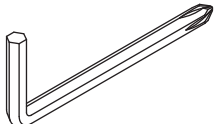

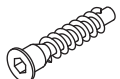


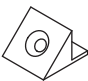

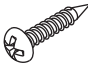



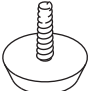
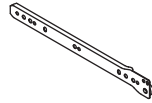

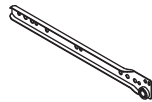
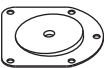
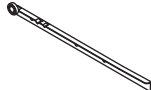

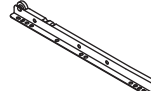
- Please periodically check all fittings and re-tighten as necessary.
- From time to time check that there are no loose screws on this unit.
- To clean glass, please use glass cleaner.
- Never allow any kind of liquid to remain on your furniture. Absorption can cause wood to warp or finishes to de-laminate.
- Please do not place hot items (eg. hot drinks) directly on to the surface.
- When moving this furniture item, The unit must be team lifted, not dragged or pushed  
Failure to do so could cause instability, product collapse, and/or serious injury.

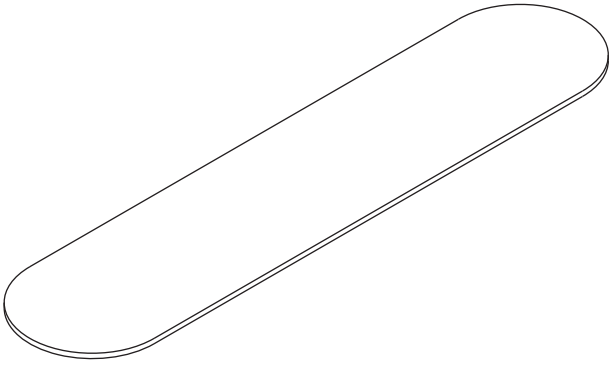
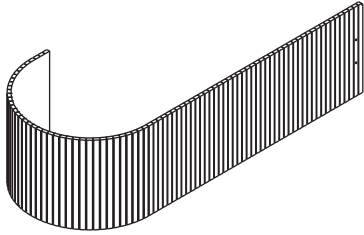
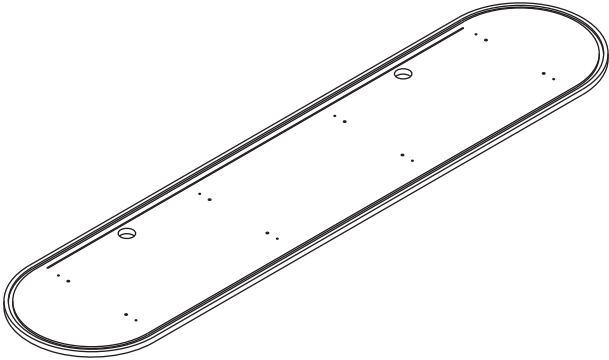
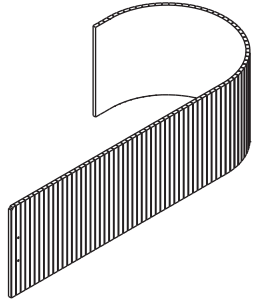
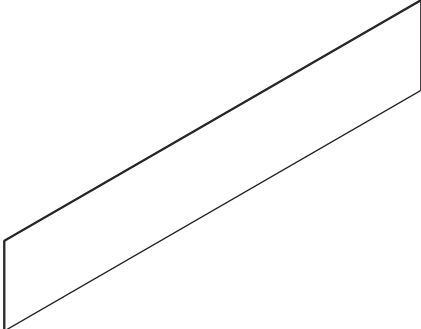
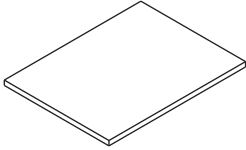
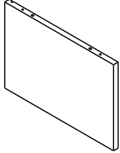
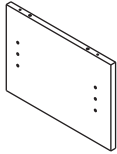
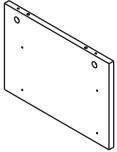
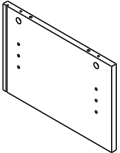
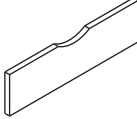
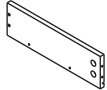
## ASSEMBLY REQUIREMENTS

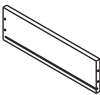

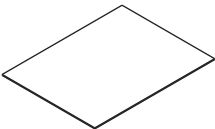


- Equipment: phillips head screwdriver.
- 2 x adults required.
- 2m x 2m assembly space required.
- 1.5 hour assembly time approx.




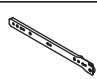



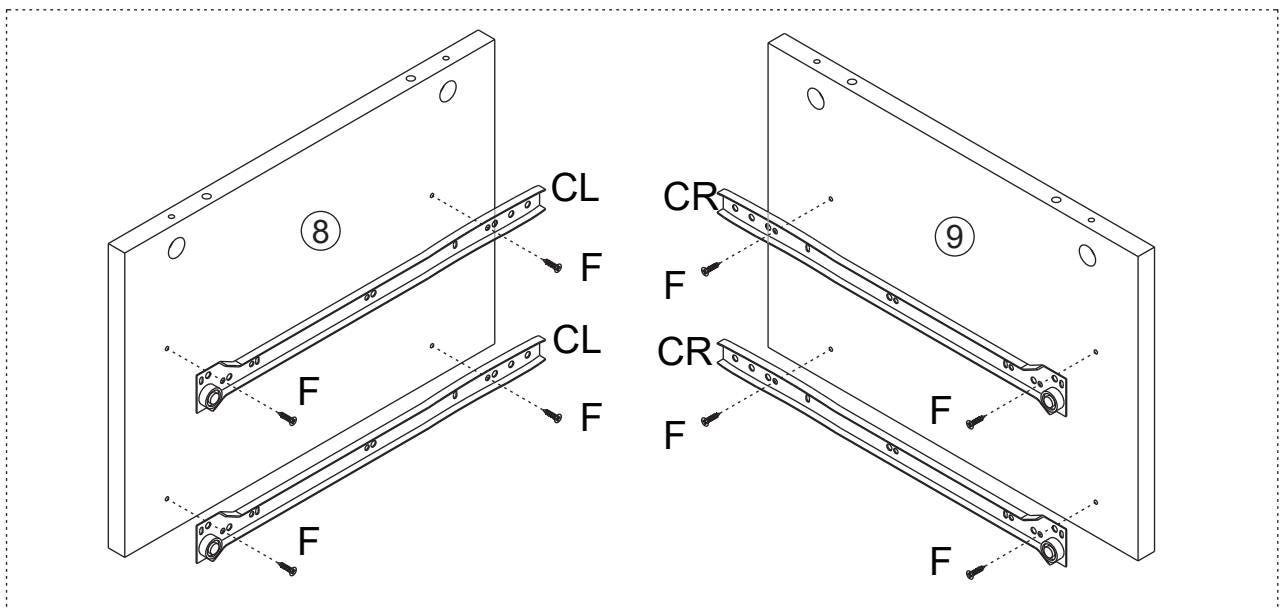
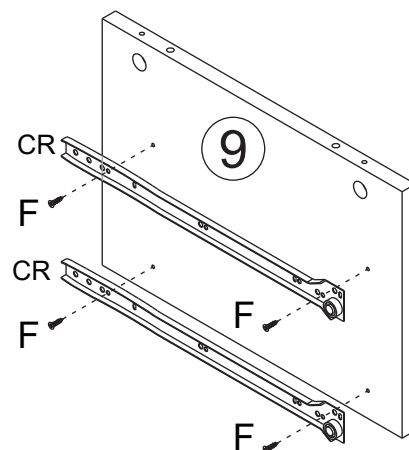
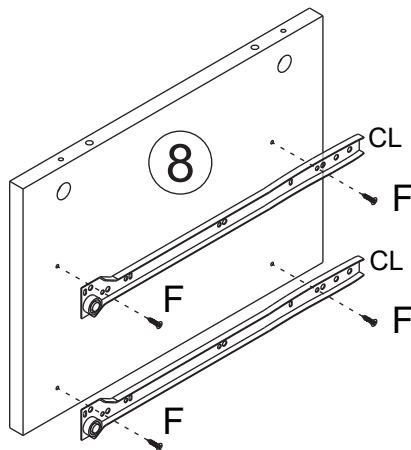
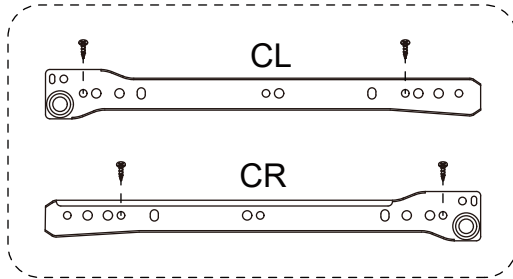
A		16	O		1
B		16	P	 M6*35mm	8
C		16			
D	 M4*35mm	12			
E		8			
F	 M3*14mm	24			
G	 M4*20mm	4			
H		2			
I		8			
J	 M4*14mm	28			
K		2	CL		2
L		2	CR		2
M		4	DL		2
N		16	DR		2

<p>①</p>  <p>x1</p>	<p>④</p>  <p>x1</p>	
<p>②</p>  <p>x1</p>	<p>⑤</p>  <p>x1</p>	
<p>③</p>  <p>x1</p>	<p>⑥</p>  <p>x2</p>	
<p>⑦</p>  <p>x1</p>	<p>⑧</p>  <p>x1</p>	<p>⑨</p>  <p>x1</p>
<p>⑩</p>  <p>x1</p>	<p>⑪</p>  <p>x2</p>	<p>⑫</p>  <p>x2</p>


<p>13</p>  <p>x2</p>	<p>14</p>  <p>x2</p>	<p>15</p>  <p>x2</p>
<p>16</p>  <p>x4</p>	<p>17</p>  <p>x2</p>	

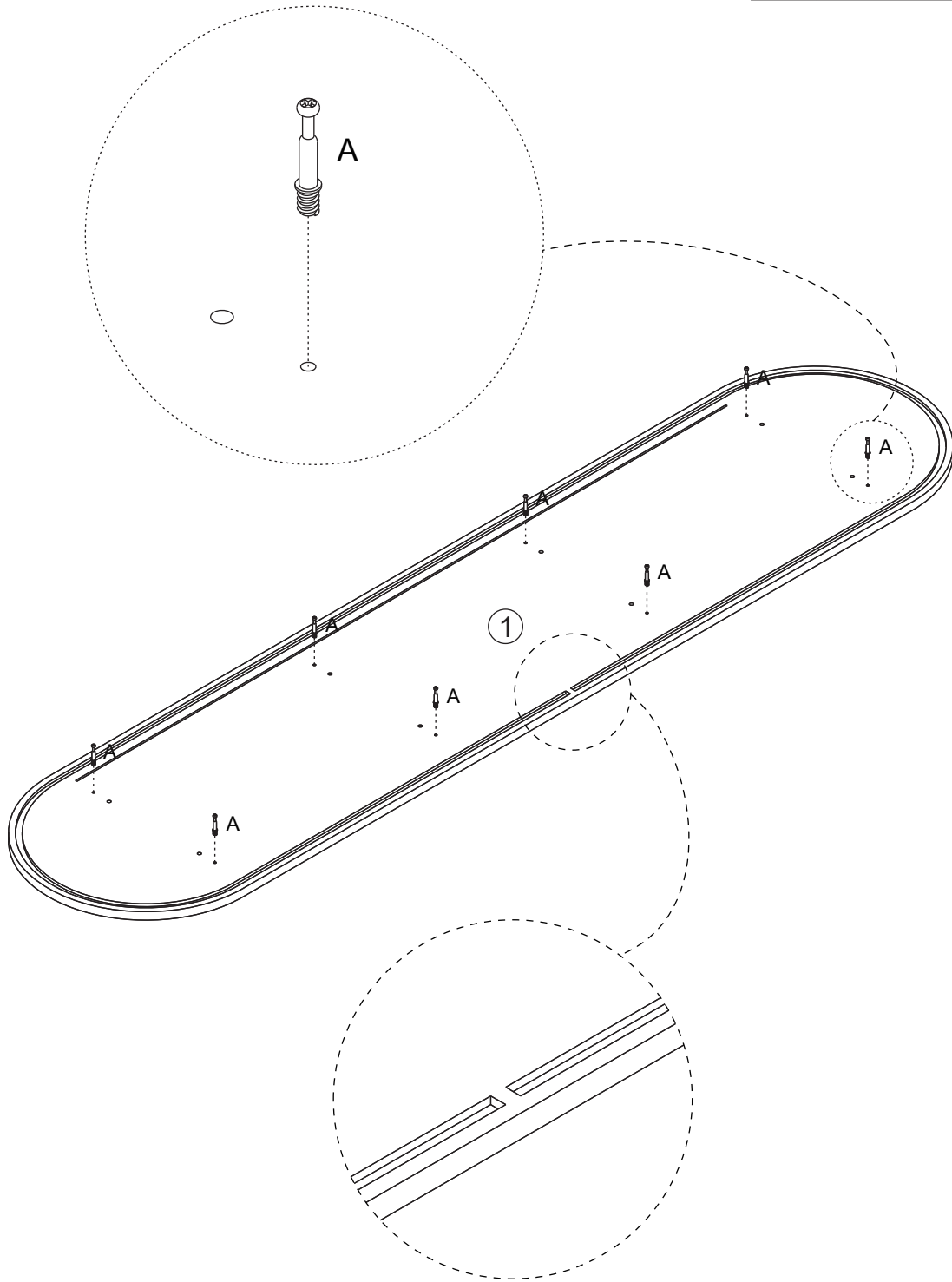
# Step:1

F	 M3*14mm	X8
CL		X2
CR		X2






# Step:2

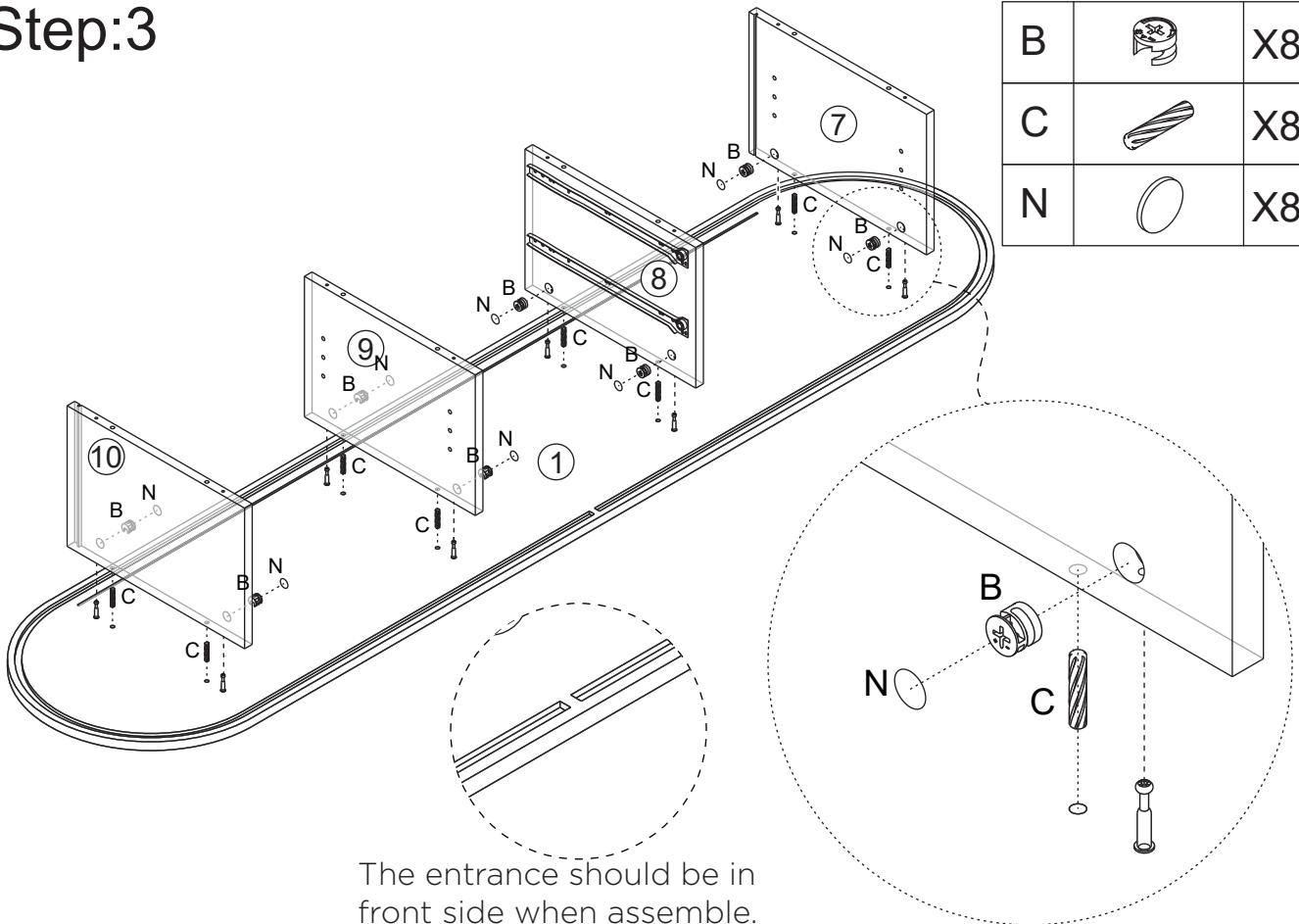
A		X8
---	---	----



The entrance should be in front side when assemble.

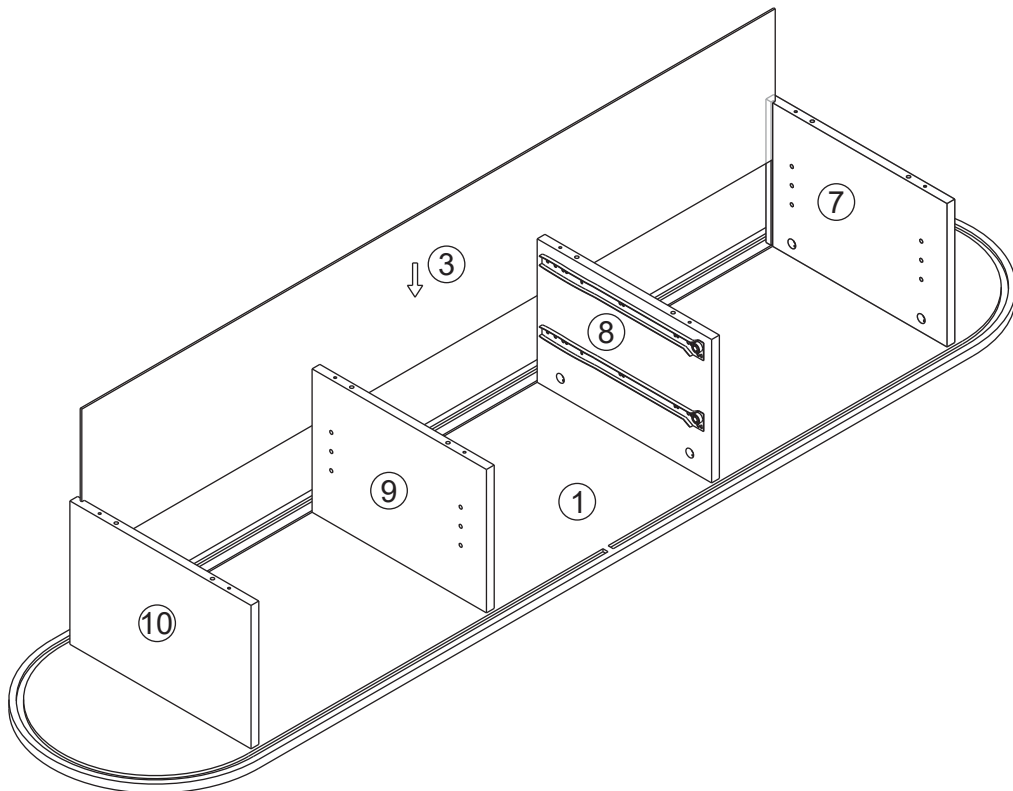
# Step:3

B		X8
C		X8
N		X8





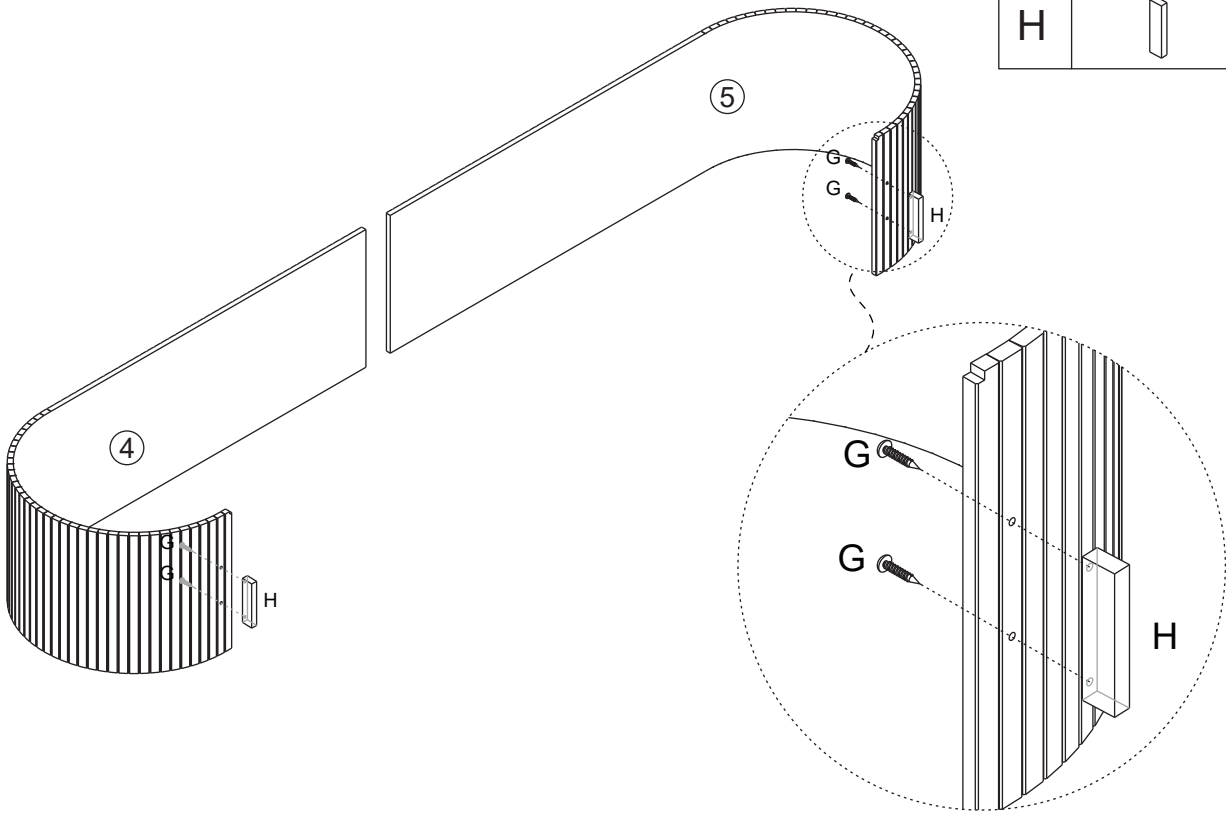
The entrance should be in front side when assemble.

# Step:4

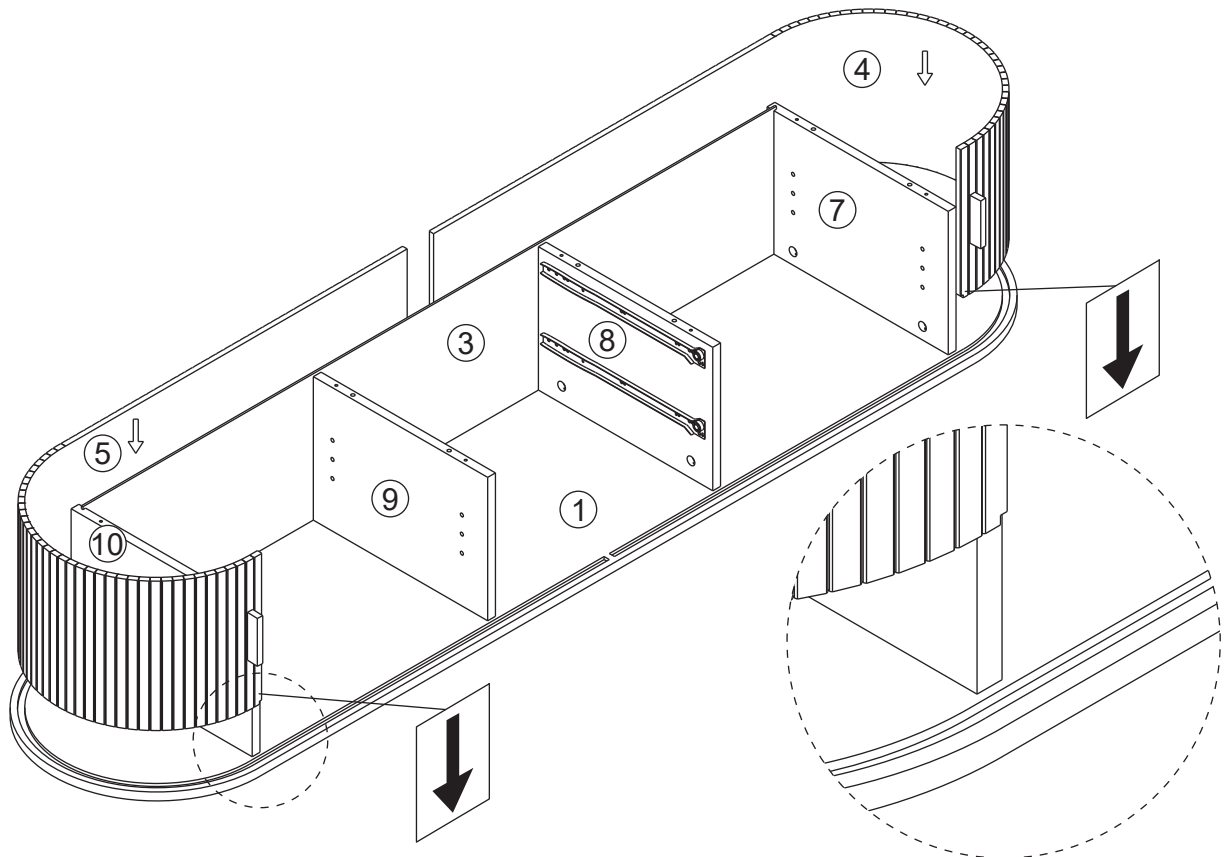


# Step:5



G	 M4*20mm	X4
H		X2

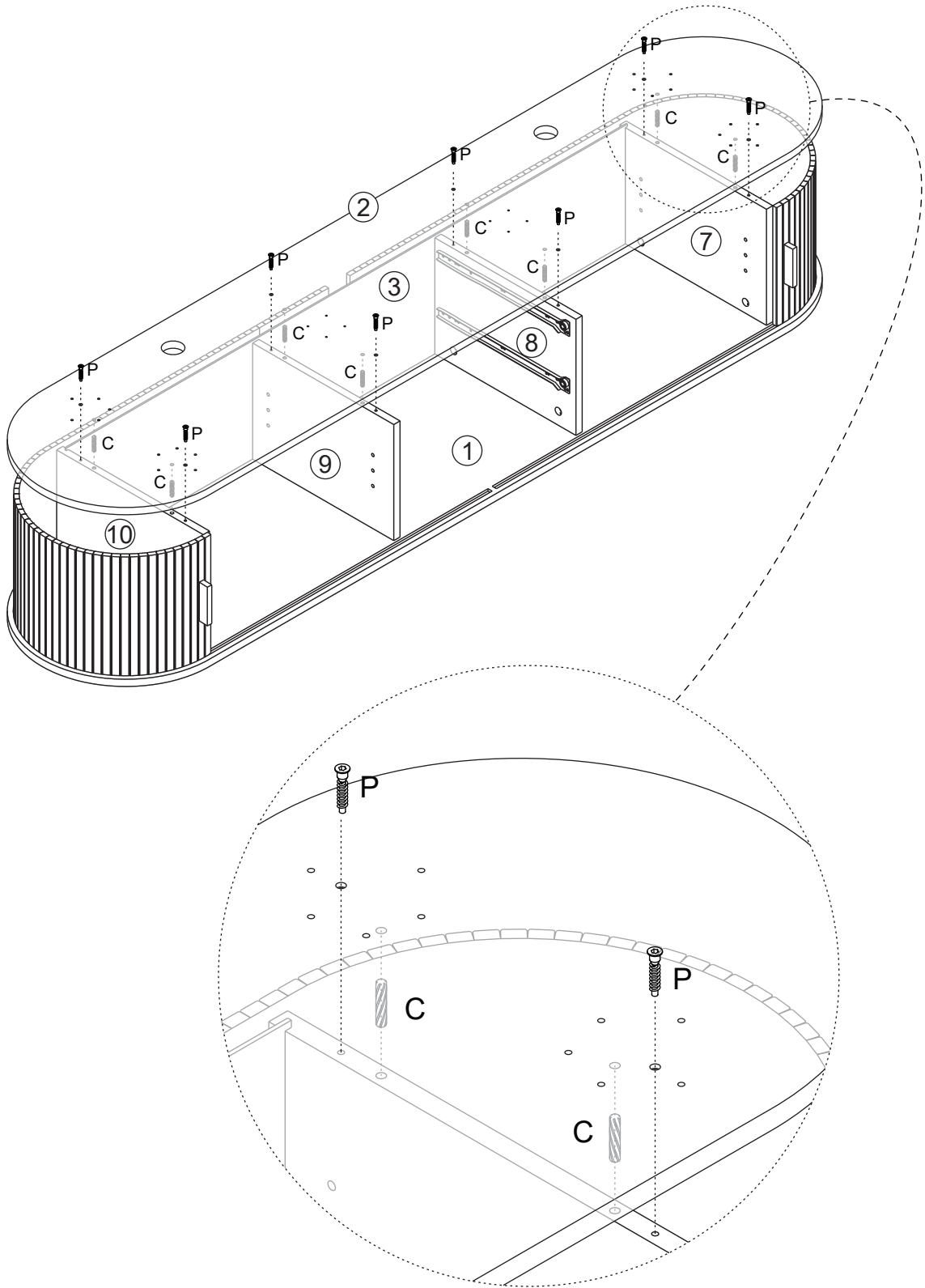


# Step:6




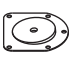


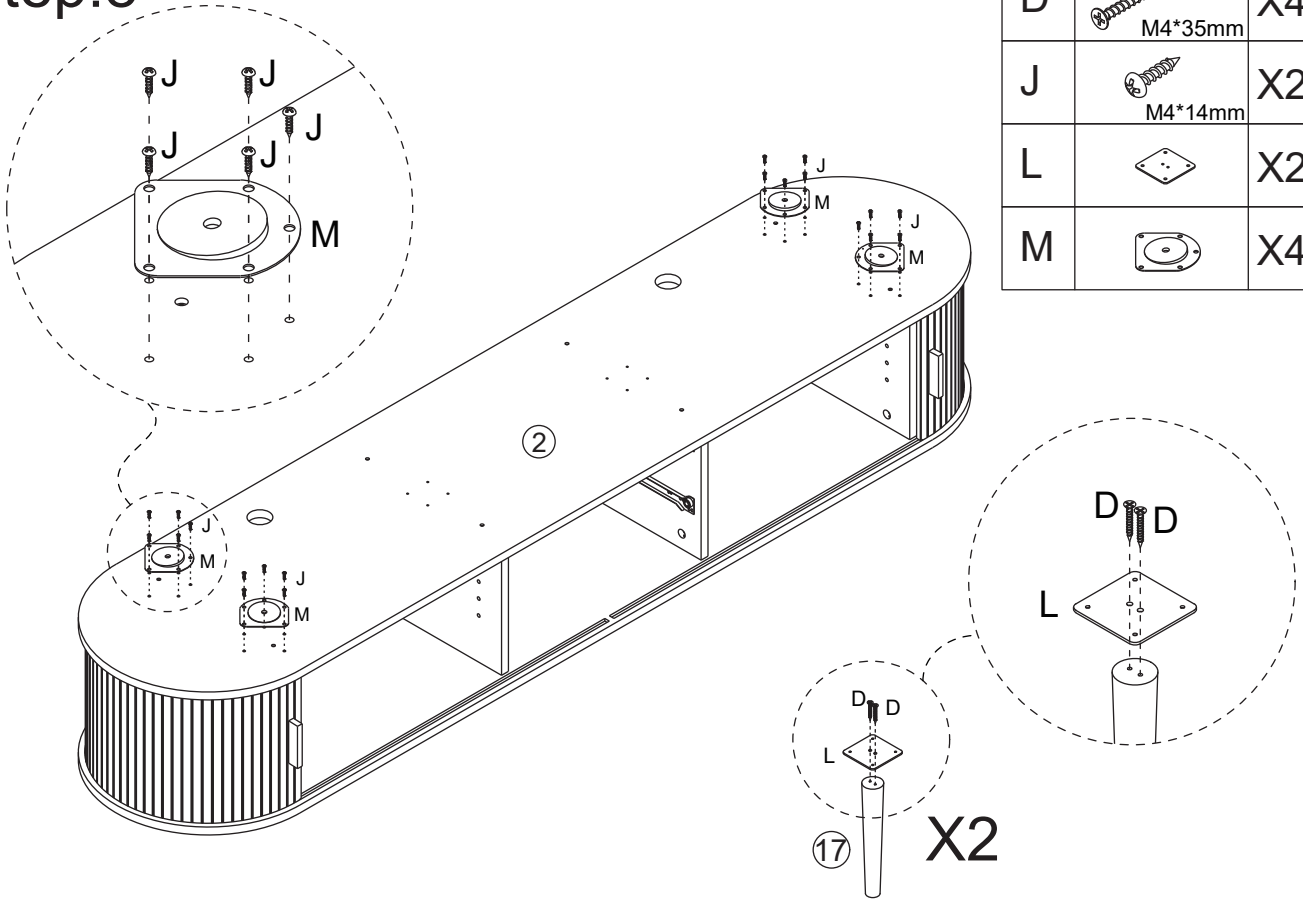
# Step:7

C		X8
P	 M6*35mm	X8





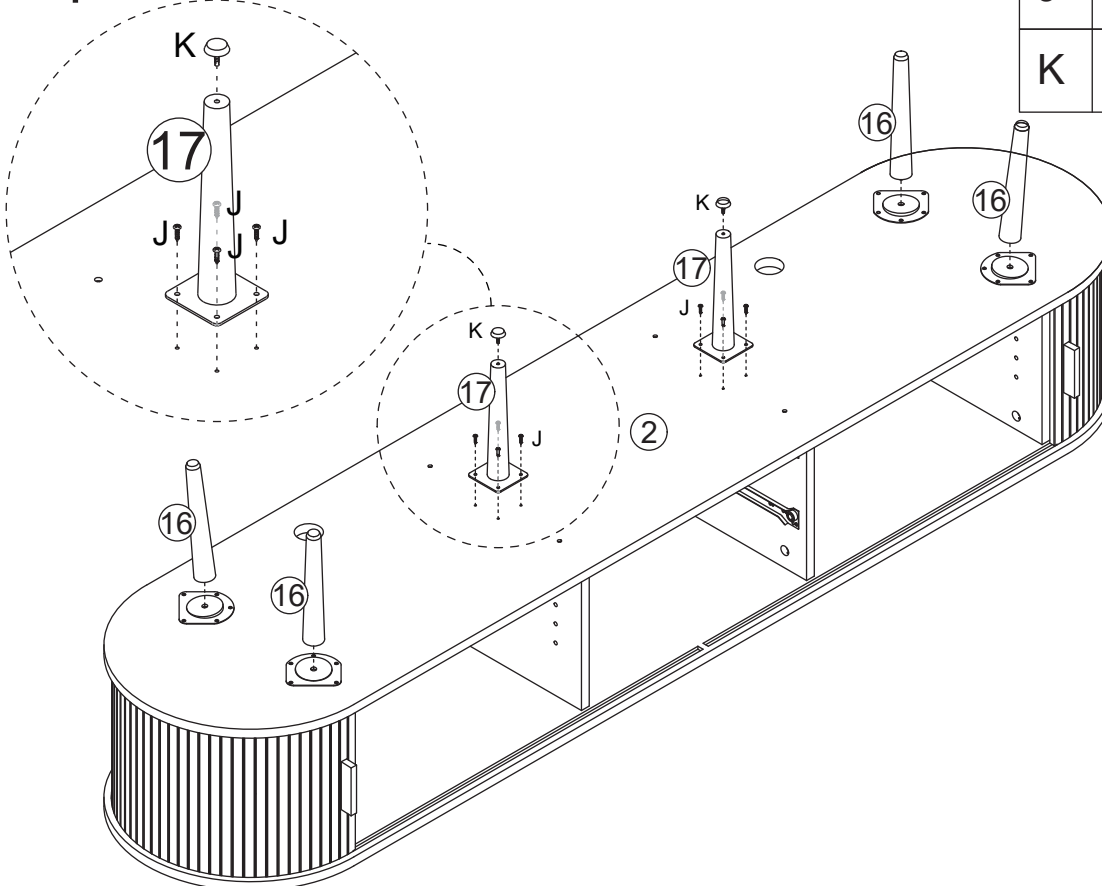
# Step:8

D	 M4*35mm	X4
J	 M4*14mm	X20
L		X2
M		X4



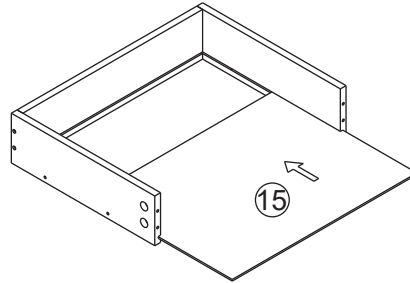
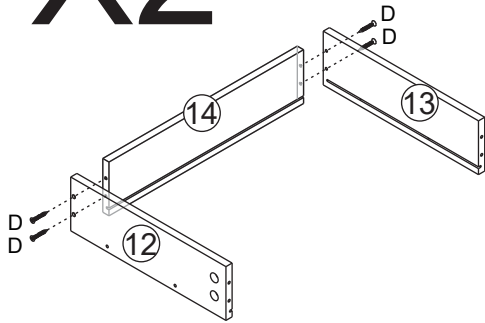
# Step:9

J	 M4*14mm	X8
K		X2

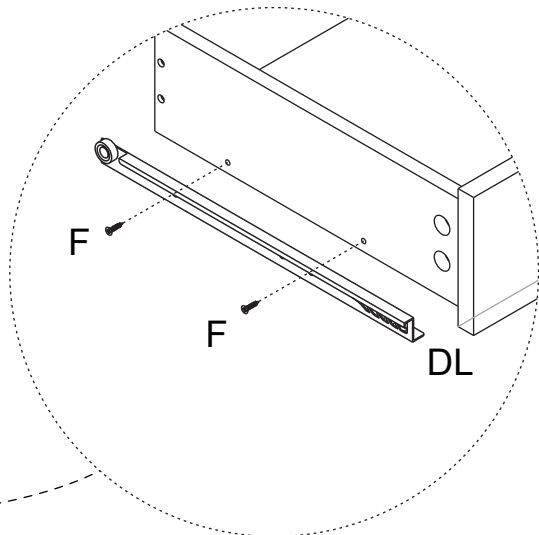
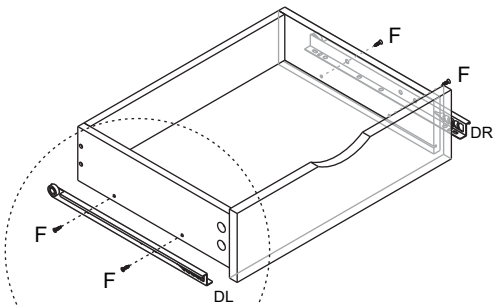
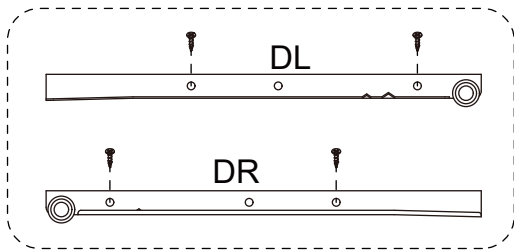
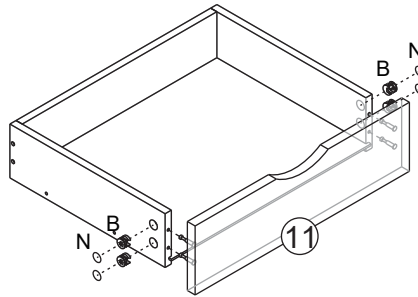
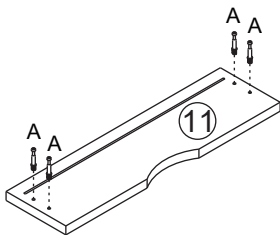
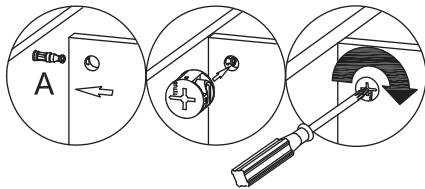


# Step:10


# X2

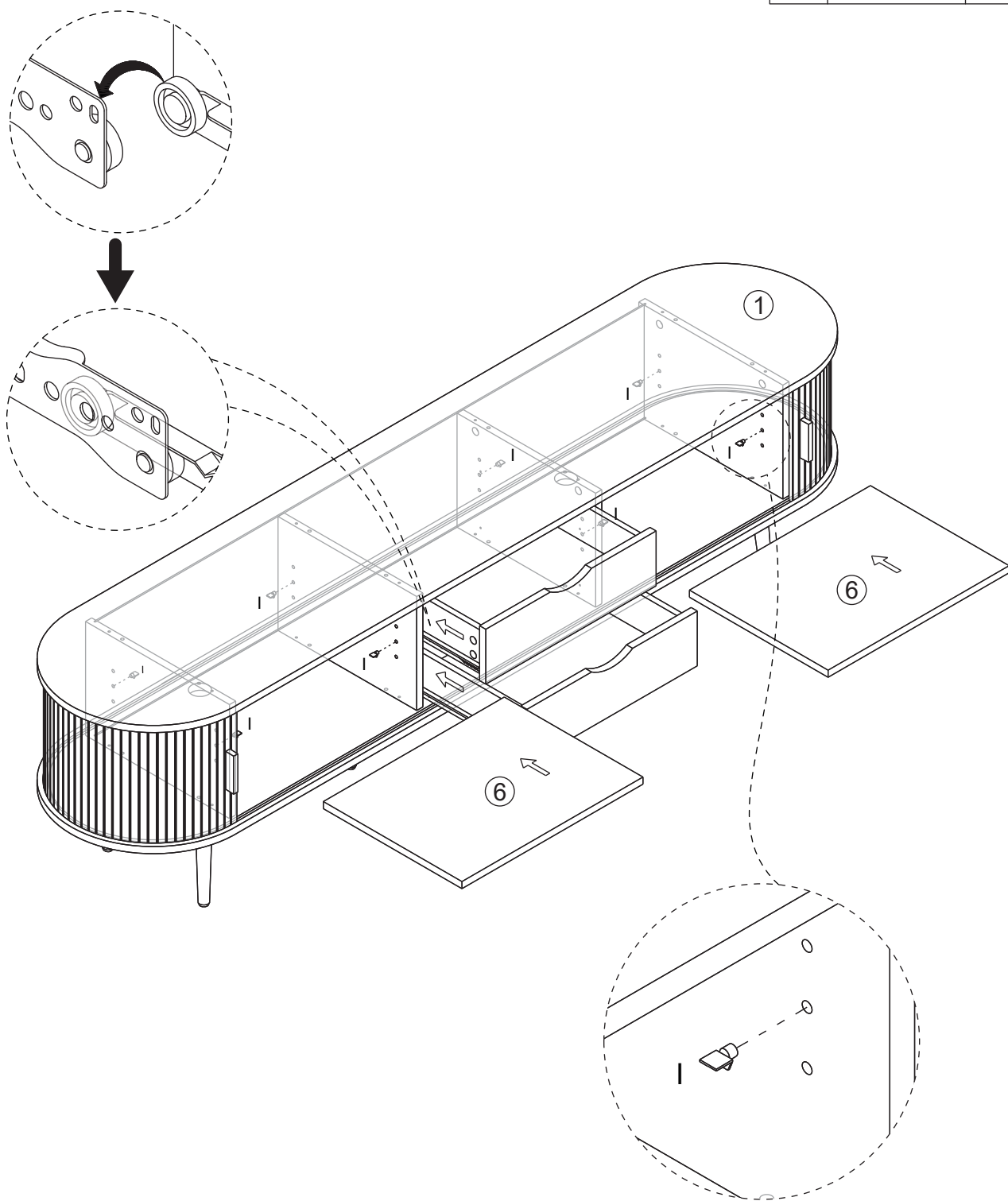


A		X8
B		X8
D	 M4*35mm	X8
F	 M3*14mm	X8
N		X8
DL		X2
DR		X2





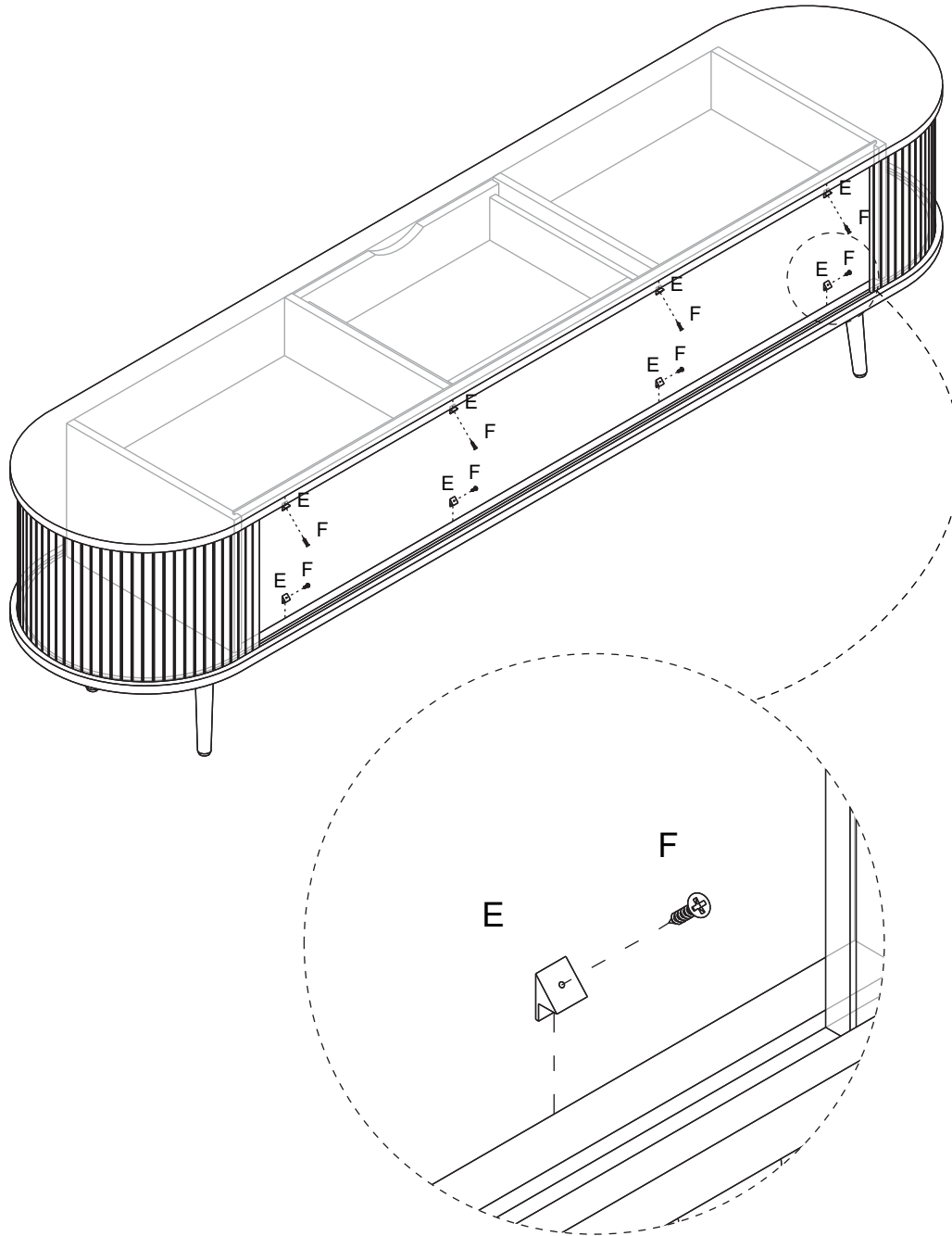
# Step:11

I		X8
---	---	----



# Step:12

E		X8
F	 M3*14mm	X8



Step:13

