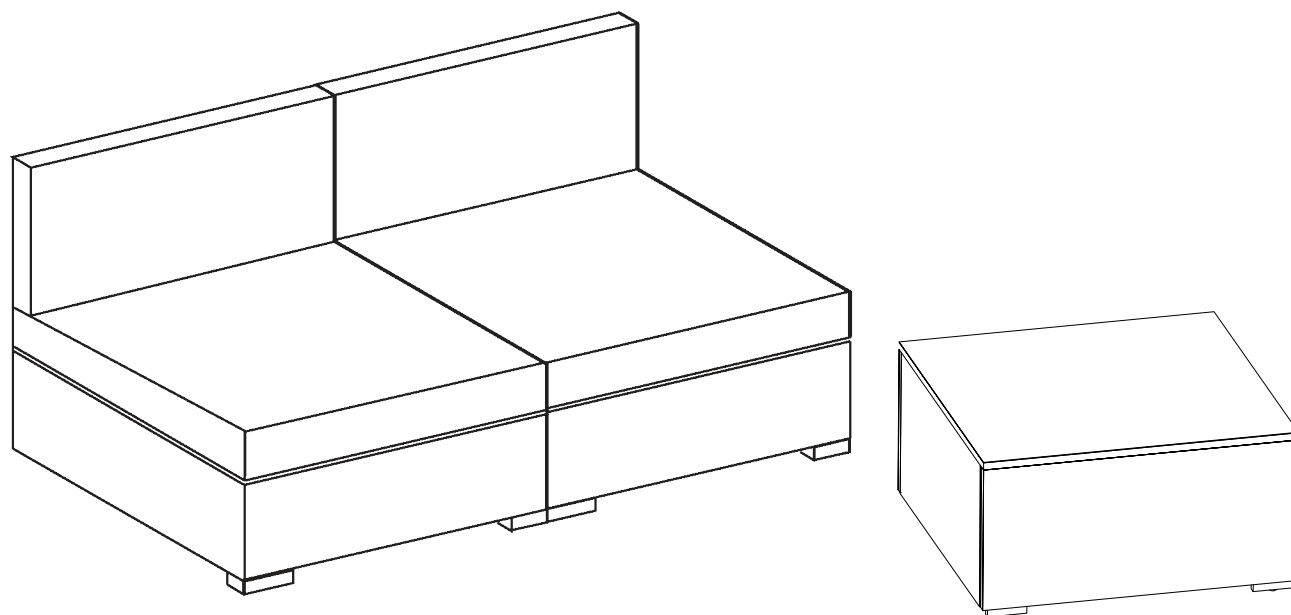








MODEL: OUTDOOR RATTAN SOFA SET WITH COFFEE TABLE



Box1	Specs
Inner contents	2 x Middle sofa plate, Code A1 2 x Middle sofa side panel, Code A2 2 x Middle sofa back panel, Code A3 1 x Tea table base, Code D1 2 x Tea table side panel-B, Code D2 1 x Tea table top frame, Code D3 1 x Tempered glass tabletop, Code E 2 x Back cushion, Code F 2 x Seat cushion, Code H 4 x L shape metal feet, Code 6 8 x Metal feet, Code 7 4 x Plastic clip, Code 9 1 x Screw kits with hardware, Code 1, 4, 5, 10
Labels Instruction sheets	Sewing labels on cushions 1*Assemble sheets

THIS INSTRUCTION BOOKLET CONTAINS IMPORTANT SAFETY INFORMATION. PLEASE READ AND KEEP FOR FUTURE REFERENCE

Before You Start:

-  Read each step carefully before starting. It is very important to ensure each step followed in correct order, otherwise assembly difficulties may occur.
-  All parts are stamped or labeled. Have a check to make sure all parts are included.
-  Work in a spacious area, preferably on a carpet close to where the unit will be used.
-  Keep the handtools close at hand. Do not use power tools to assemble your furniture. They may scratch or damage the parts.
-  6*6 Ft empty floor needed. Two Adults needed for assembling.
-  Check the assortments according the manual before assembling, we will help to resend if there is any needed.

After Care and Maintenance:

Use a soft, clean cloth that will not scratch the surface when dusting. Use of furniture polish is not necessary.

Should you choose to use polish, test first in an inconspicuous area. Using solvents of any kind on your furniture may damage the finish. Liquid spills should be removed immediately. Using a soft clean cloth, blot the spill gently. Avoid rubbing.


Check bolts/screws periodically and tighten them if necessary.

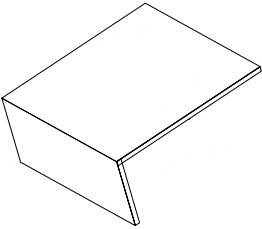
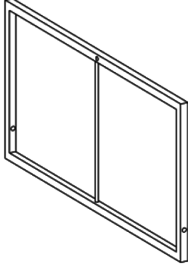
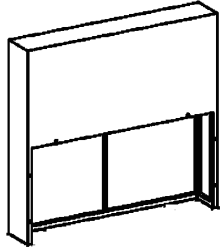
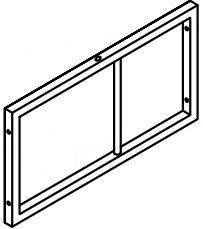
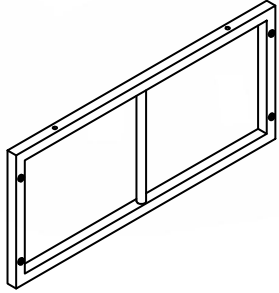
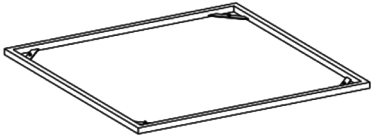
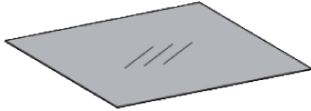
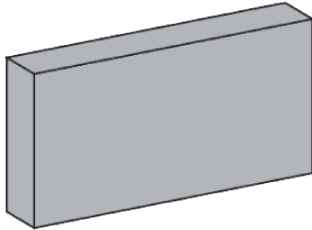
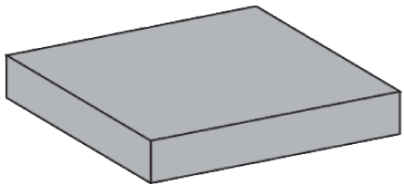
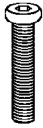
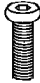

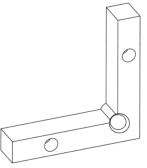
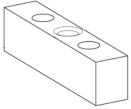
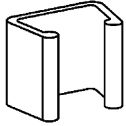

Further advice about this furniture care:

Please protect your outdoor furniture with a cover when not in use since Long-term sunlight exposure will result in the damage on the surface.

In addition to sunlight damage, rattan and metal frame suffers when exposed to extremes in temperature and humidity.

Proper care and cleaning at home will extend the life of your purchase. Following these important and helpful tips will enhance your furniture as it ages.

-  **Do Not return this item.**
Please contact our friendly customer service department for help

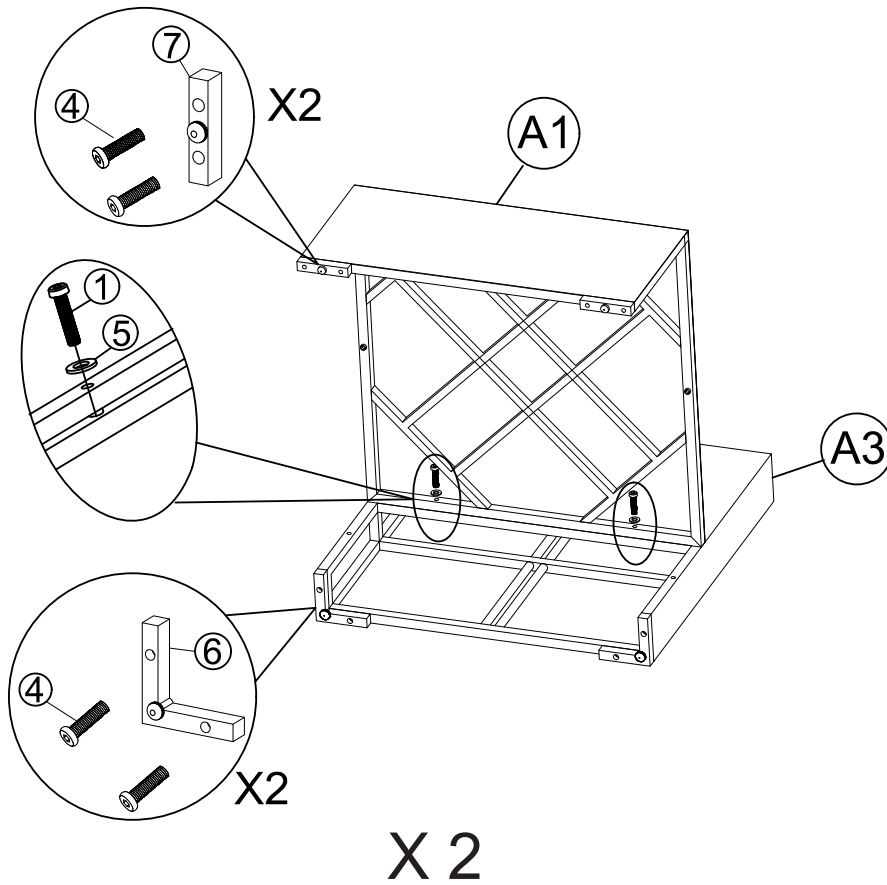
<p>A1 Middle sofa plate X 2</p> 	<p>A2 Middle sofa side panel X 4</p> 	<p>A3 Middle sofa back panel X 2</p> 
<p>D1 Tea table side panel-A X 2</p> 	<p>D2 Tea table side panel-B X 2</p> 	<p>D3 Tea table top frame X 1</p> 
<p>E Tempered glass tabletop X 1</p> 	<p>F Back cushion X 2</p> 	<p>H Seat cushion X 2</p> 
<p>1 X30</p>  <p>M6 X 35 mm</p>	<p>4 X 30</p>  <p>M6 X 25 mm</p>	<p>5 X 30</p> 
<p>6 X 4</p> 	<p>7 X 8</p> 	<p>9 X 4</p> 
<p>10 X 1</p> 		




ASSEMBLY TIP:

Please screw the parts together at 50% loose, it will help you assemble them easily.

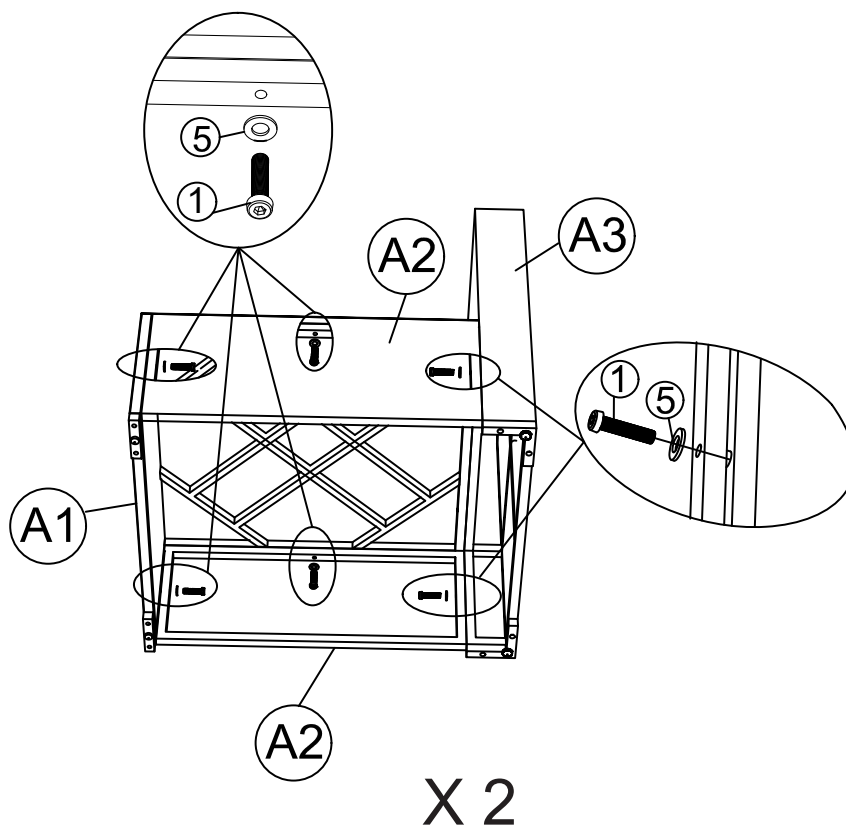
After all the parts are assemble together, tighten the screws up 100% at the end to make the product stable.



1



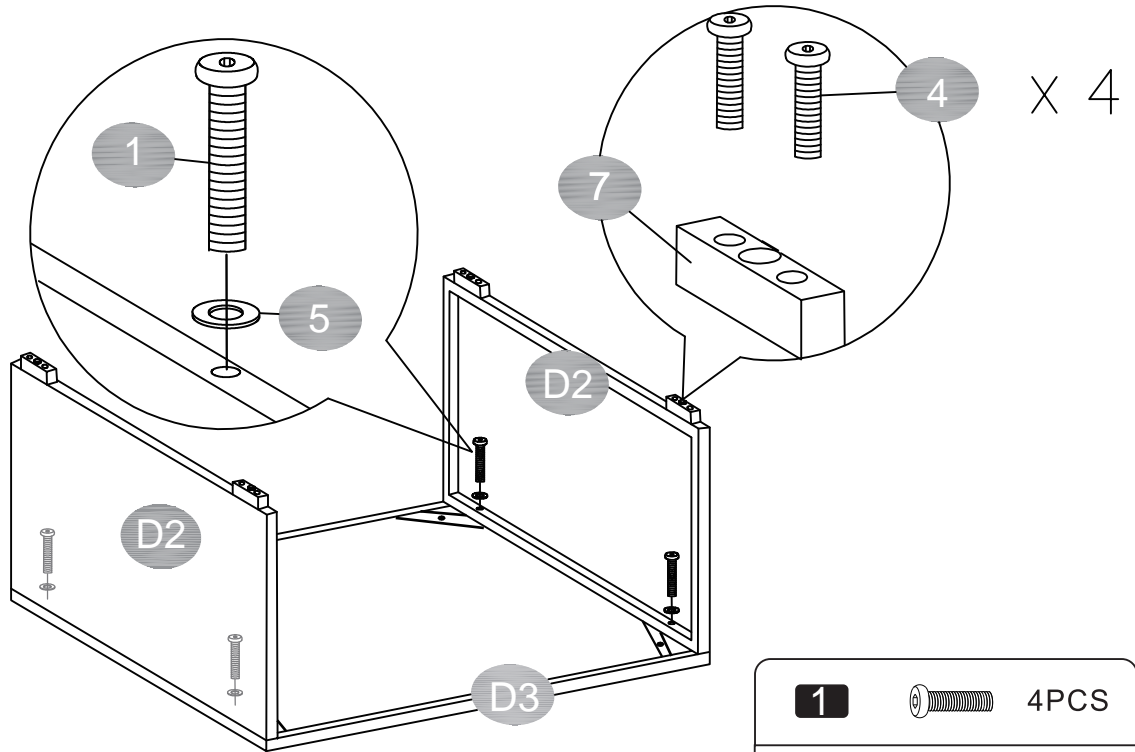
1		2 PCS
4		8 PCS
5		2 PCS


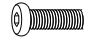

2



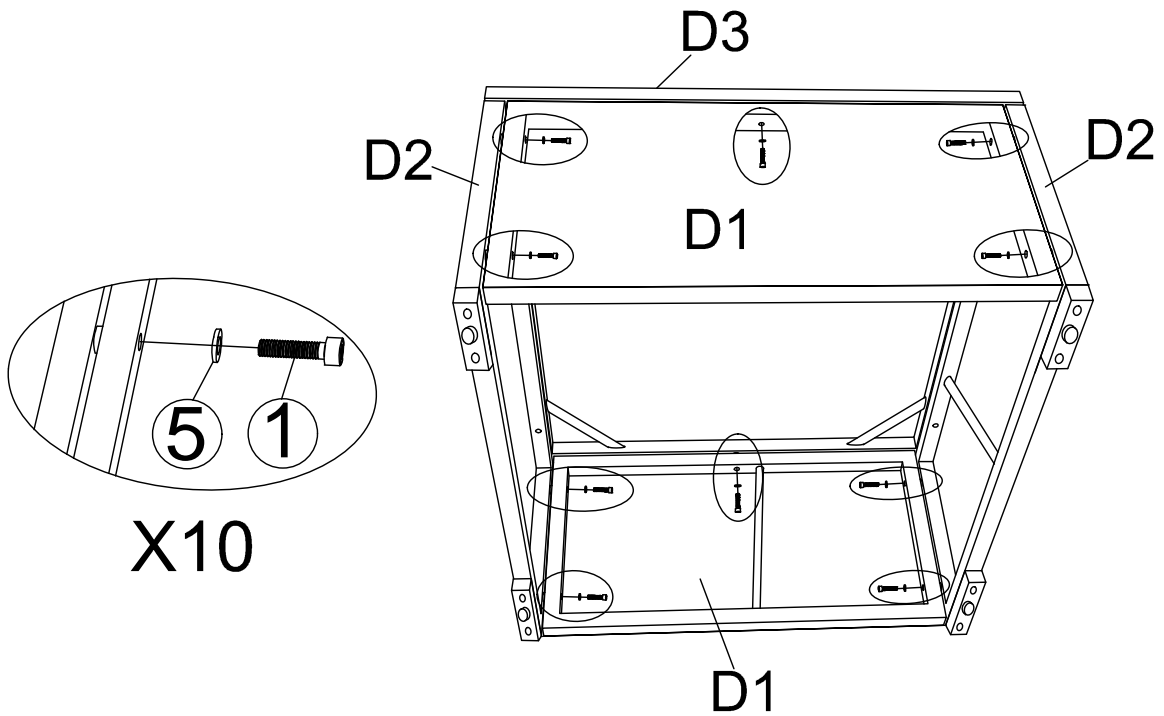
1		6 PCS
5		6 PCS

3





1		4PCS
4		8PCS
5		4PCS

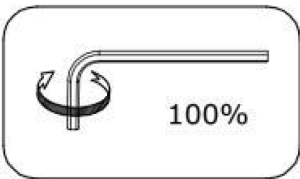
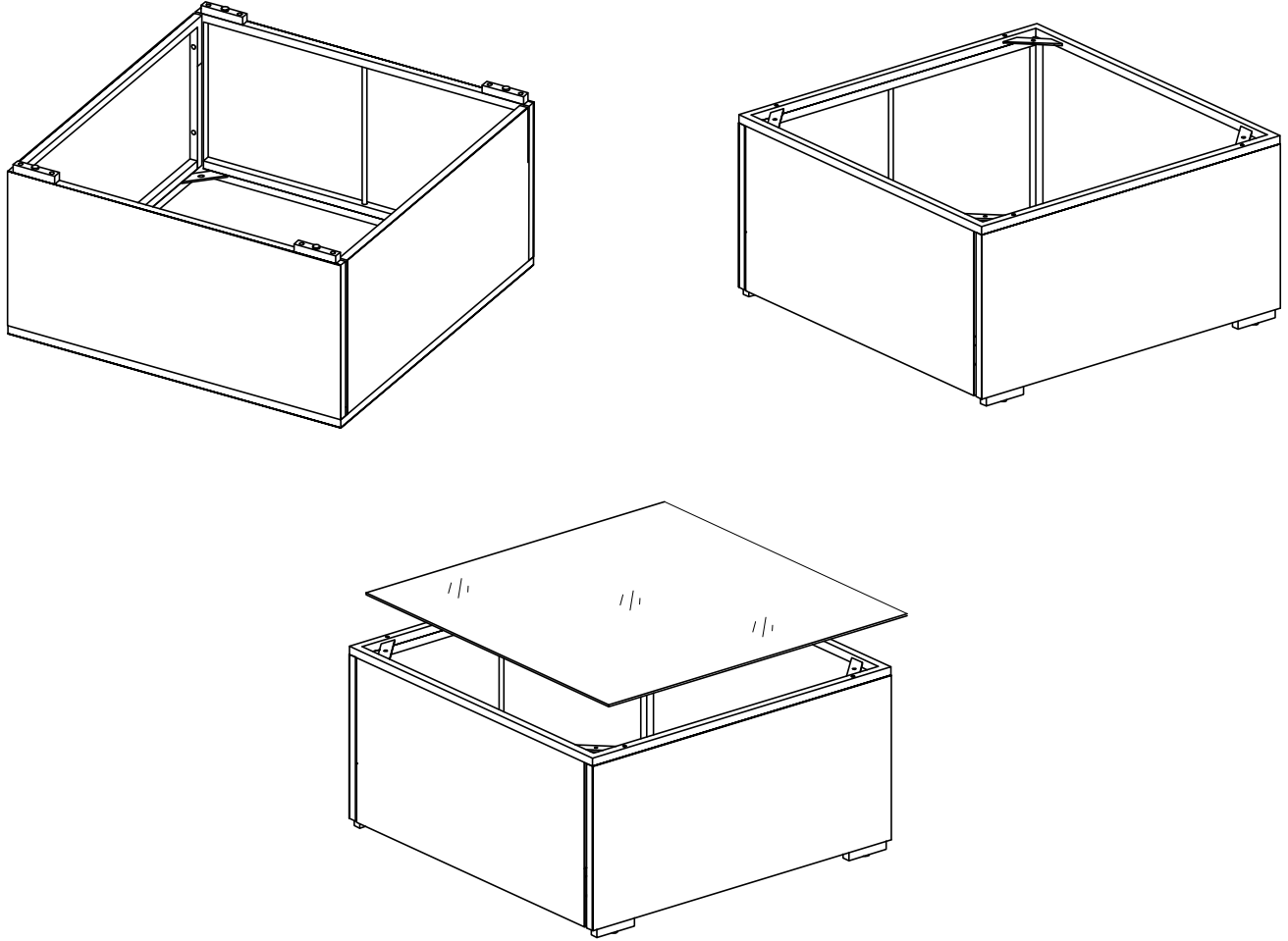
4



X10

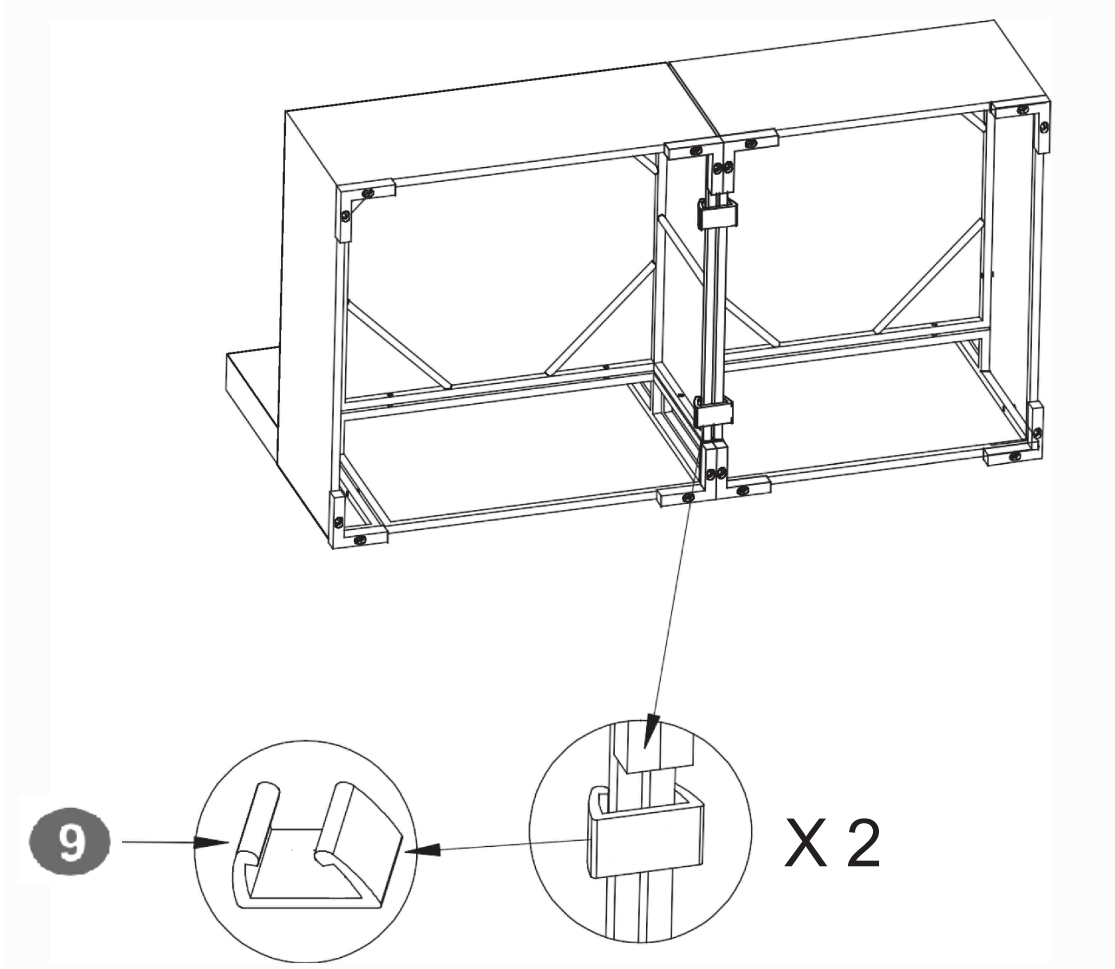
1		10PCS
5		10PCS

5

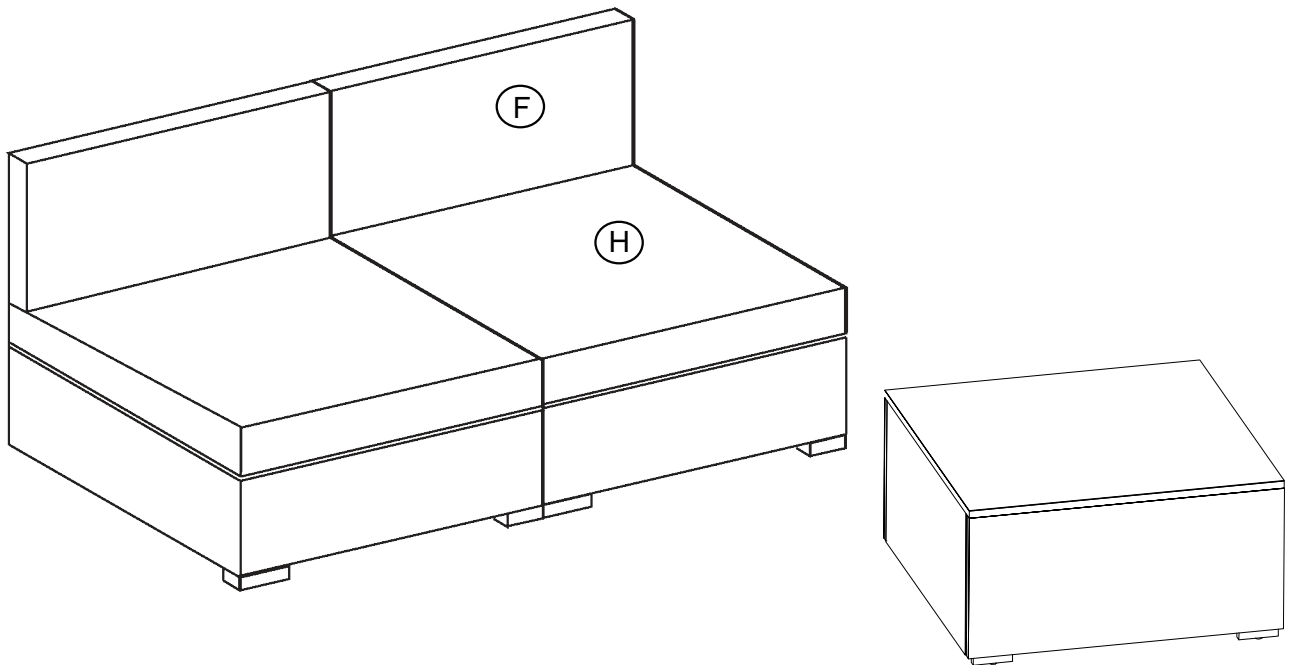


Now tighten the screws up 100% at the end to make the product stable. Then put on the glass.

6

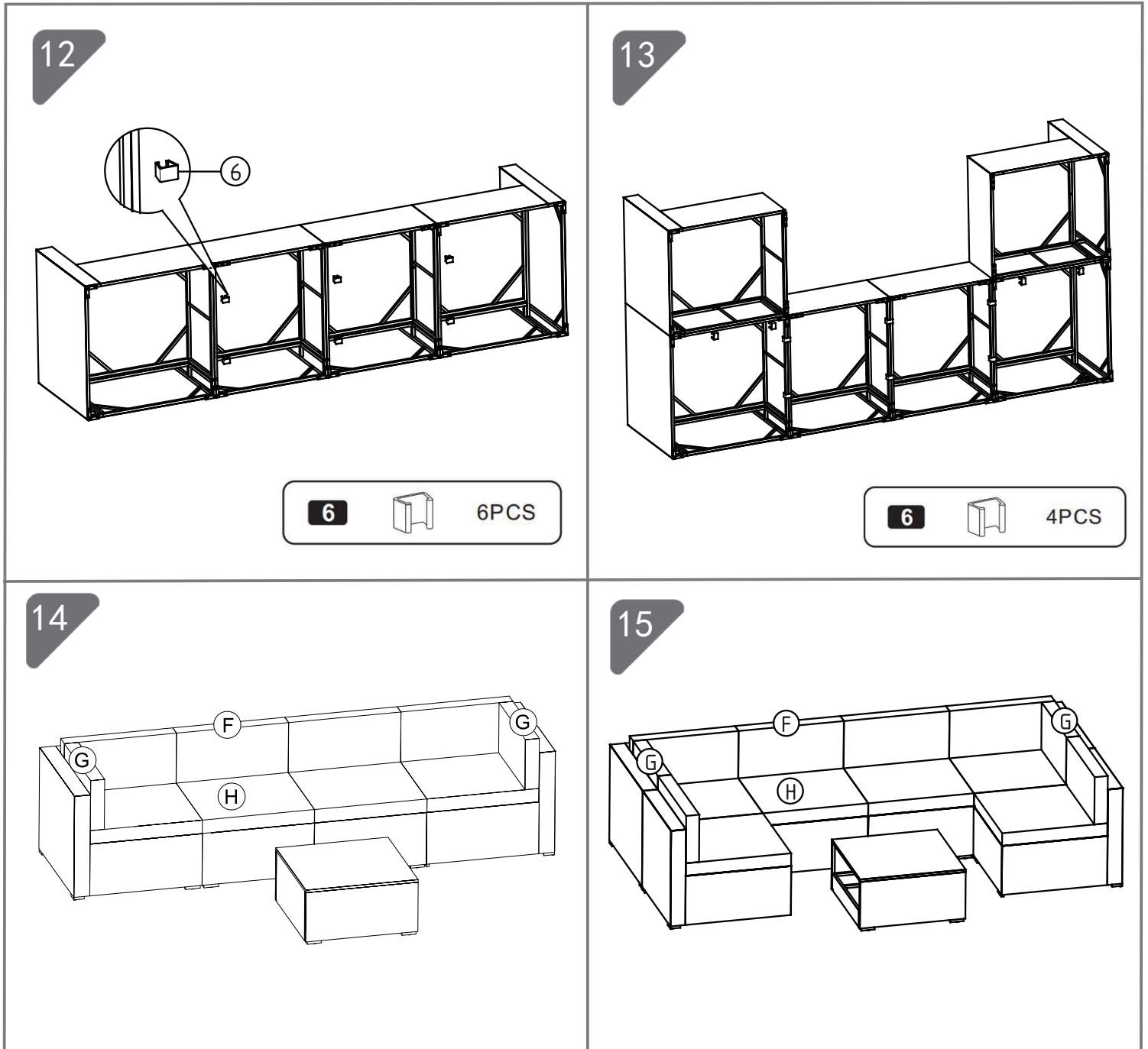


7



Appendix Page

Assemble 7pc Sofa set



If you purchase the 7pc sofa set, please follow the additional steps to put them together.