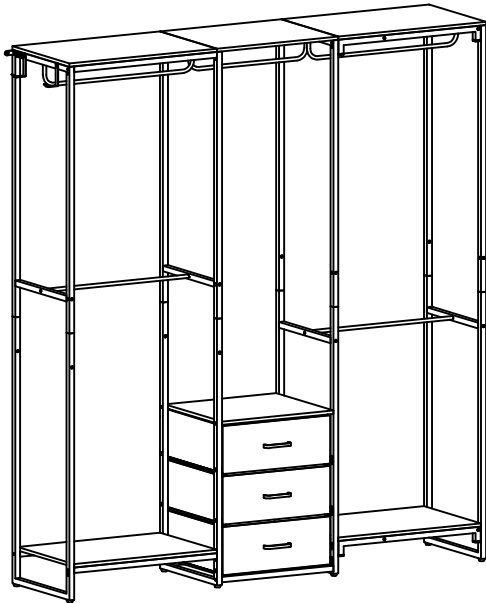
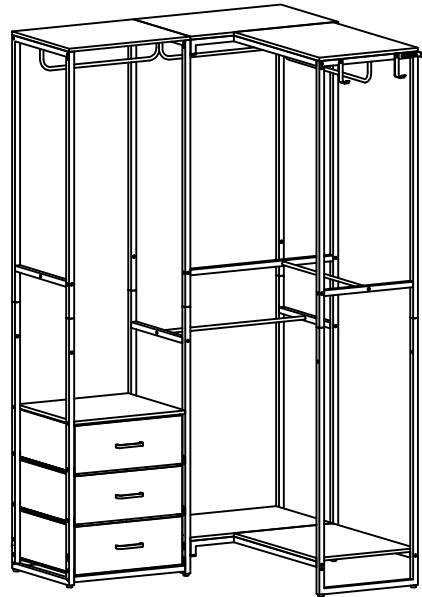


# *Garment Rack with Drawers*

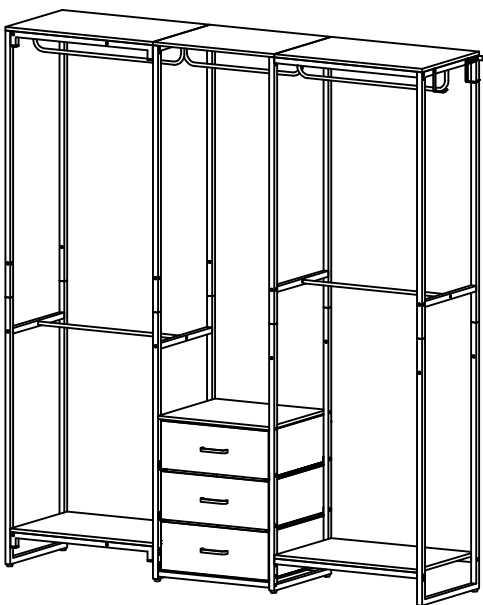
## ASSEMBLY INSTRUCTION



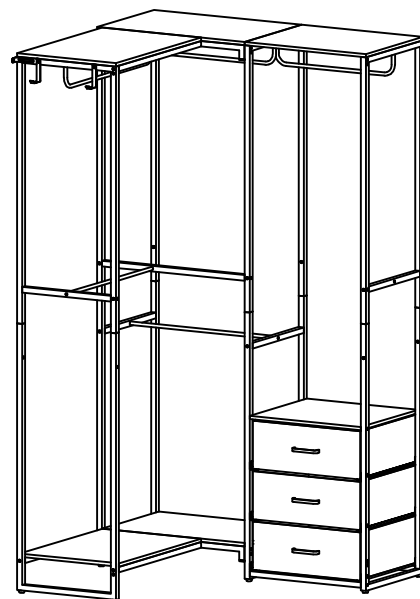
**Option A**



**Option B**



**Option C**



**Option D**

(Note:Two people are recommended to install, which will greatly improve your installation efficiency.)

✉ [support@aheaplus.com](mailto:support@aheaplus.com)

### **Thank you for purchasing our products.**

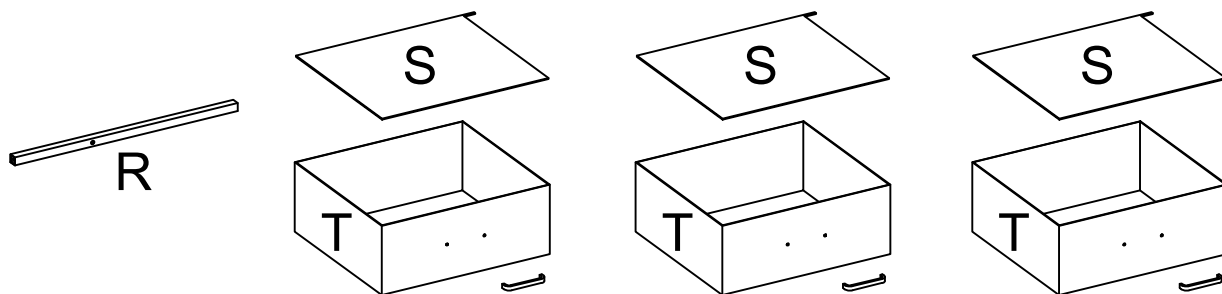
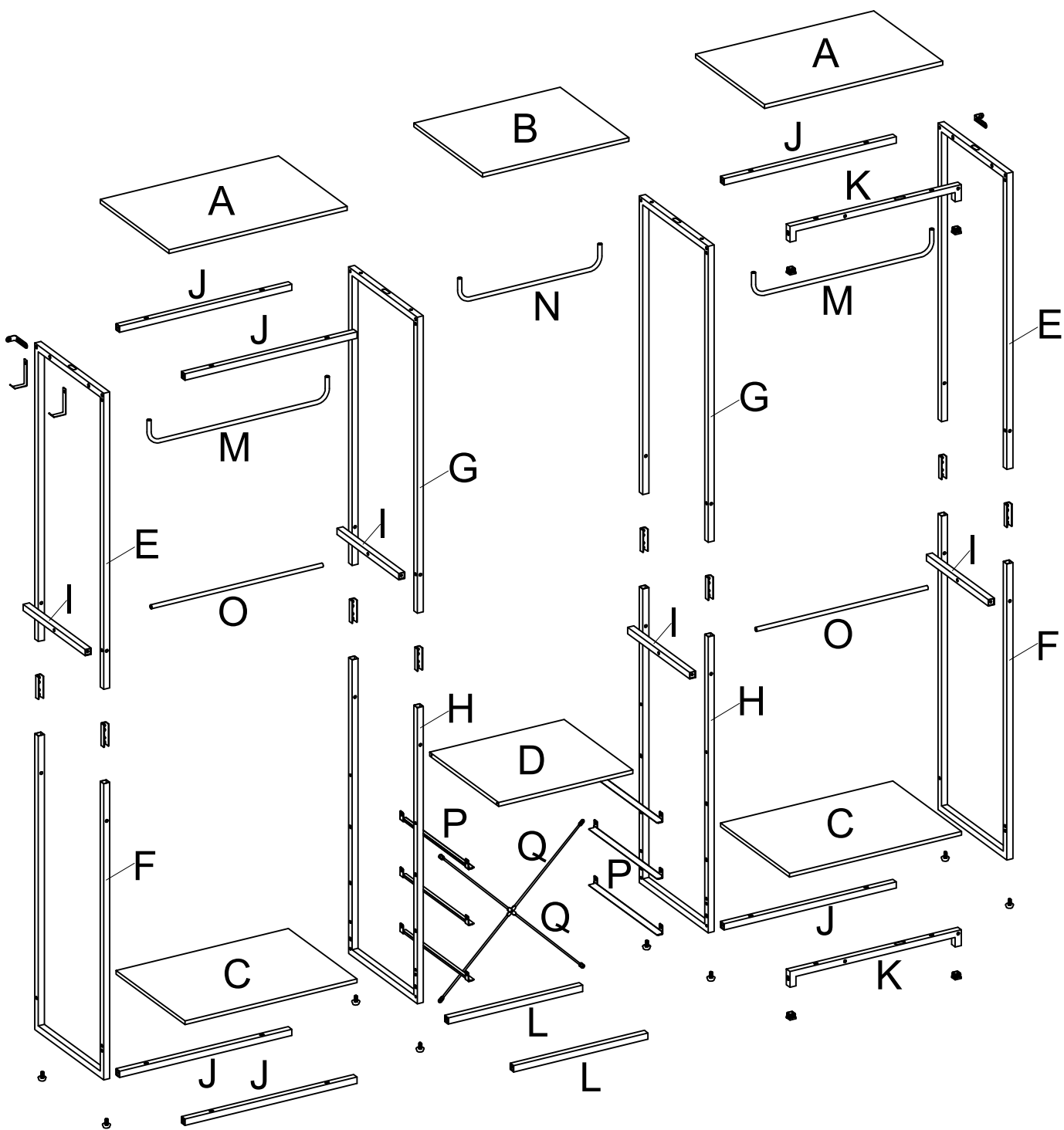
As a reliable seller, we have been pursuing to provide customers with 100% satisfied products and services, so we hope that you will enjoy this shopping experience.

If you find any damage, missing parts, or dissatisfaction after receiving the product, please feel free to contact us the first time, We will provide you with a 100% satisfactory solution.

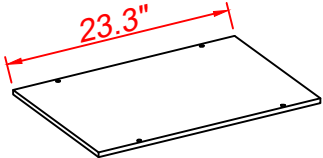
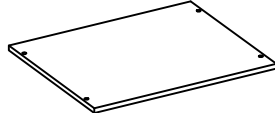
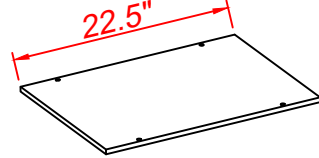
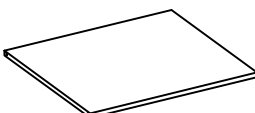
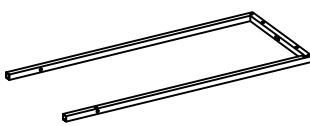

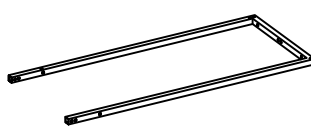
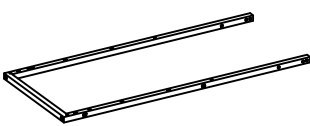
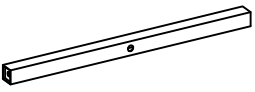
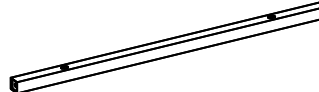
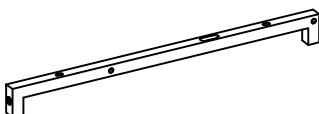
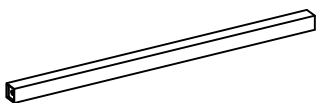
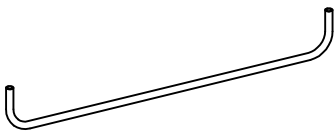




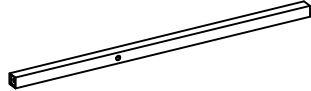
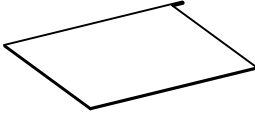
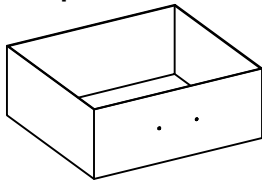
Thanks again for your order. And please feel free to contact us from Amazon or [support@aheaplus.com](mailto:support@aheaplus.com) in case of any problem regarding assembling or the product itself. We will do everything we can to resolve it.

### **TIPS:**

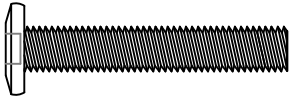
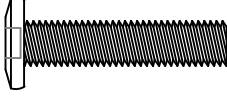
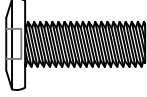
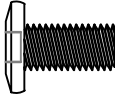
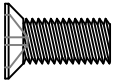
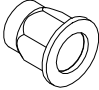
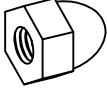
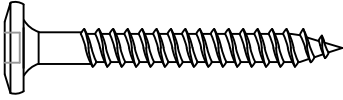
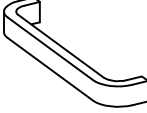
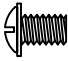
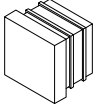
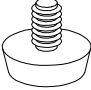
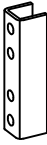


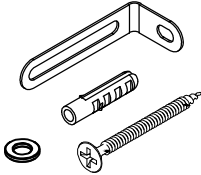

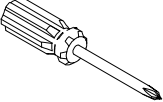
1. Please read this instruction manual carefully, follow it step by step and pay attention to the notes, you will assemble it quickly, safely and correctly.
2. Two people are recommended to install, which will greatly improve your installation efficiency.
3. Put the screws in loosely until all pieces are together and then tighten them all. It will save your time if you make a mistake while installing



PART LIST A

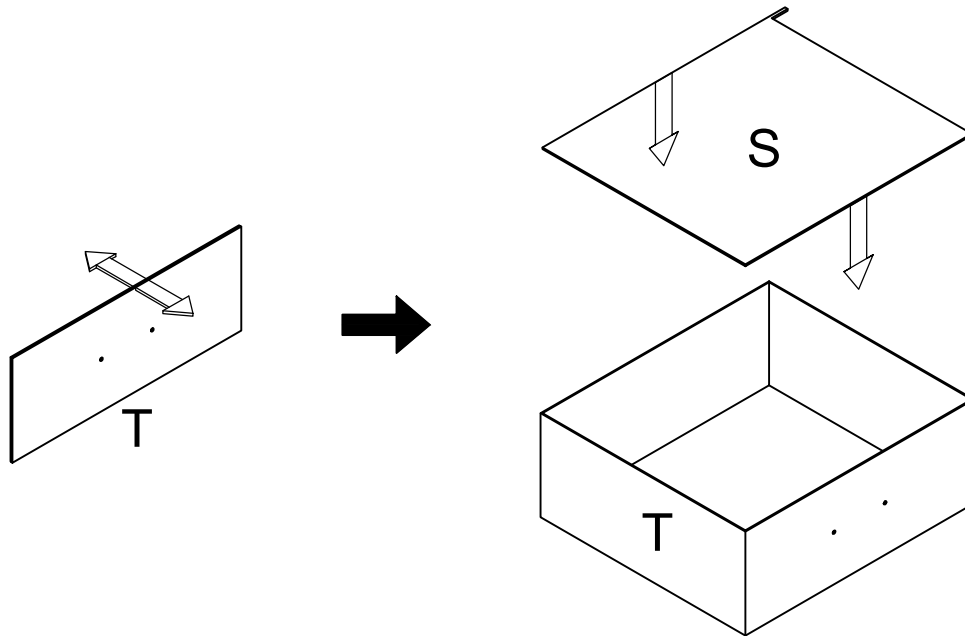
<p>A x 2pcs</p> 	<p>B x 1pc</p> 	<p>C x 2pcs</p> 	<p>D x 1pc</p> 
<p>E x 2pcs</p> 	<p>F x 2pcs</p> 	<p>G x 2pcs</p> 	<p>H x 2pcs</p> 
<p>I x 4pcs</p> 	<p>J x 6pcs</p> 	<p>K x 2pcs</p> 	<p>L x 2pcs</p> 
<p>M x 2pcs</p>  <p>L604</p>	<p>N x 1pc</p>  <p>L478</p>	<p>O x 2pcs</p>  <p>L572</p>	<p>P x 6pcs</p>  <p>L393</p>
<p>Q x 2pcs</p>  <p>Ø5x650</p>	<p>R x 1pc</p> 	<p>S x 3pcs</p> 	<p>T x 3pcs</p>  <p>431x390x170</p>

### HARDWARE LIST

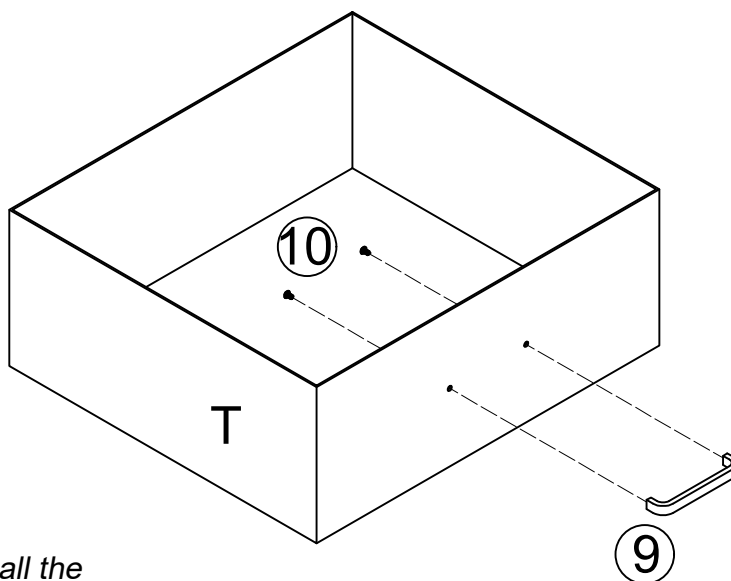
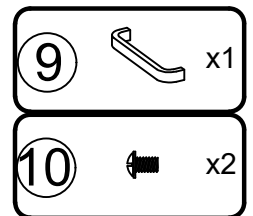
<p>①</p>  <p>M6x35 34 pcs</p>	<p>②</p>  <p>M6x27 26 pcs</p>	<p>③</p>  <p>M6x16 6 pcs</p>
<p>④</p>  <p>M6x12 33 pcs</p>	<p>⑤</p>  <p>M6x14 12 pcs</p>	<p>⑥</p>  <p>M6 14 pcs</p>
<p>⑦</p>  <p>M6 1 pc</p>	<p>⑧</p>  <p>M5x45 4 pcs</p>	<p>⑨</p>  <p>M6 3 pcs</p>
<p>⑩</p>  <p>M4x6 6 pcs</p>	<p>⑪</p>  <p>20x20 4 pcs</p>	<p>⑫</p>  <p>M6x18 8 pcs</p>
<p>⑬</p>  <p>20x20xM6 8 pcs</p>	<p>⑭</p>  <p>M4 2 pcs</p>	<p>⑮</p>  <p>M8 20 pcs</p>
<p>⑯</p>  <p>M4x40 2 pcs</p>	<p>⑰</p>  <p>M4 1 pc</p>	<p>⑱</p>  <p>M4 1 pc</p>

# Option A

## STEP 1



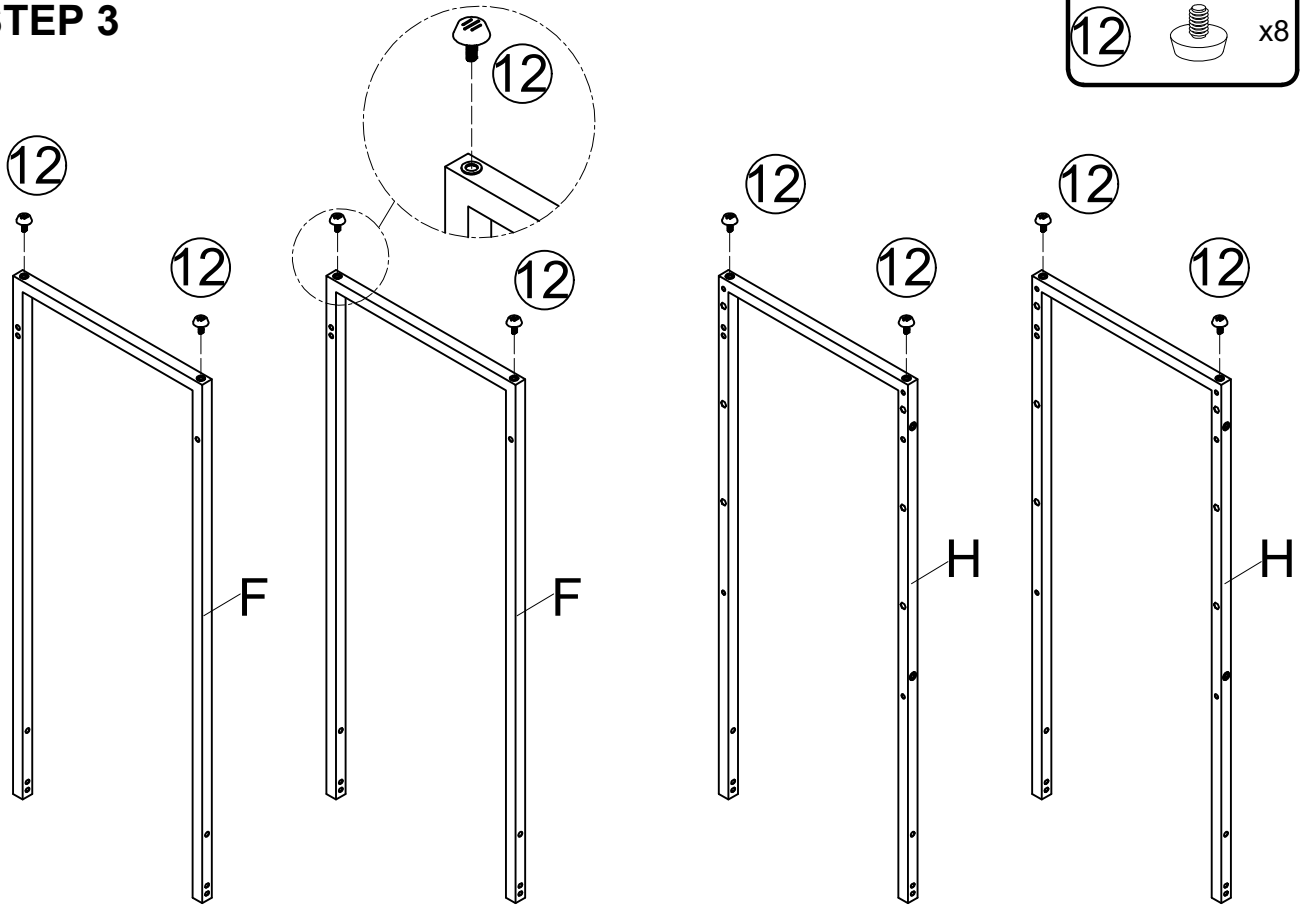
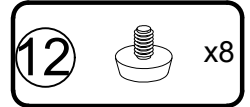
## STEP 2



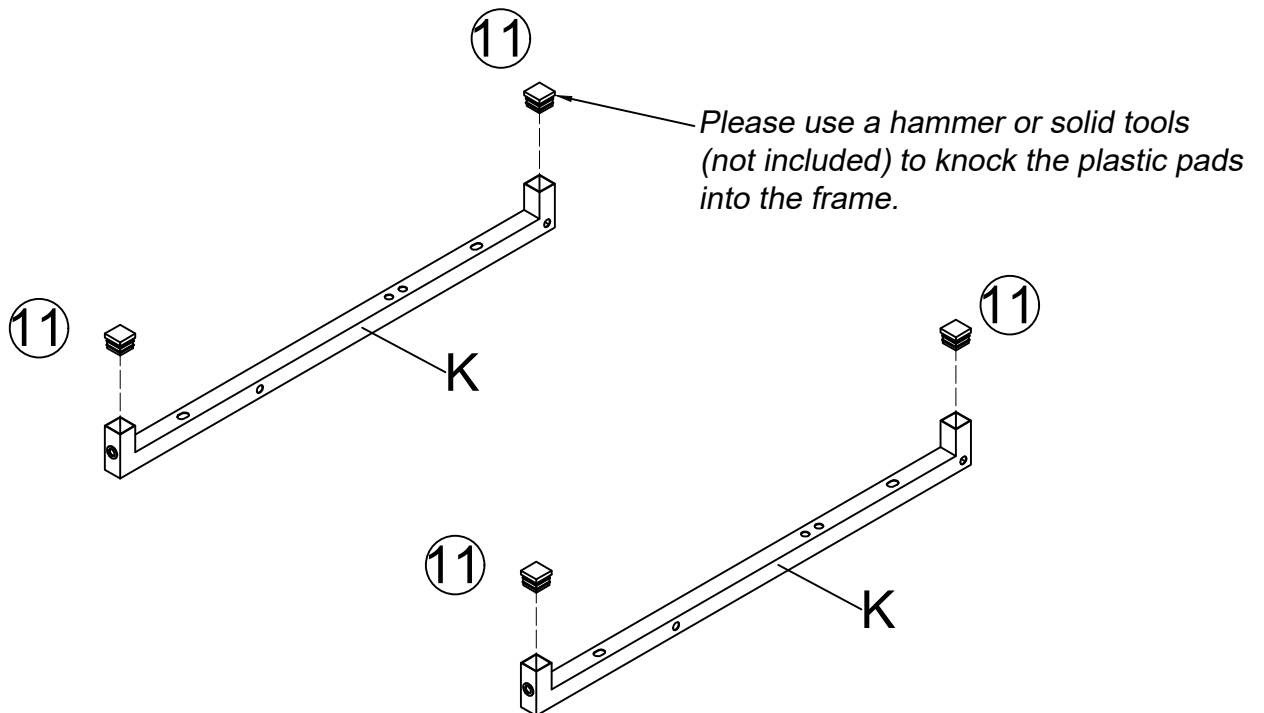
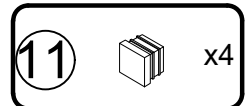
**NOTICE:**

The installation for all the three fabric drawers is base on the 1-2 steps above.

**STEP 3**





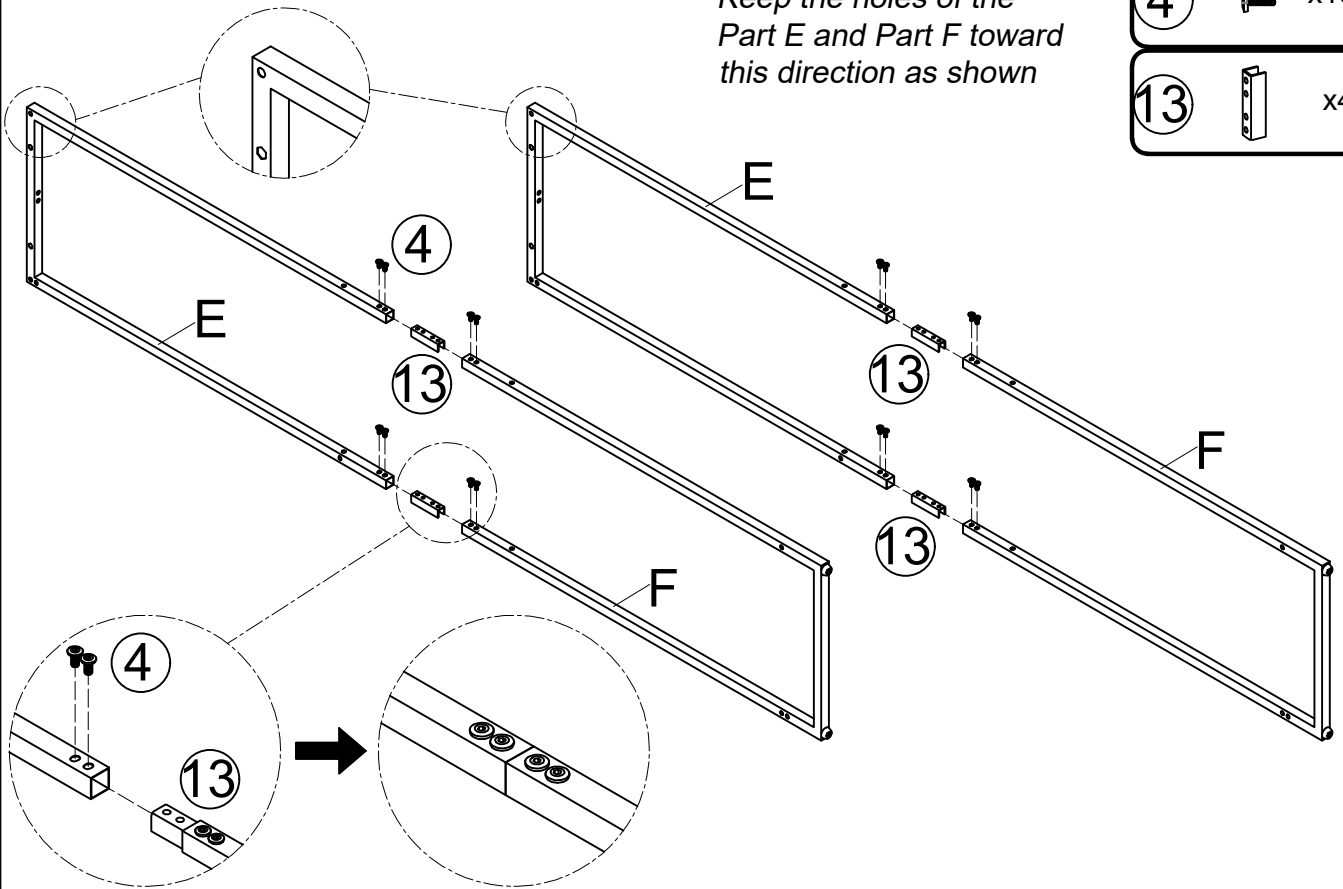
**STEP 4**



### STEP 5



Keep the holes of the Part E and Part F toward this direction as shown

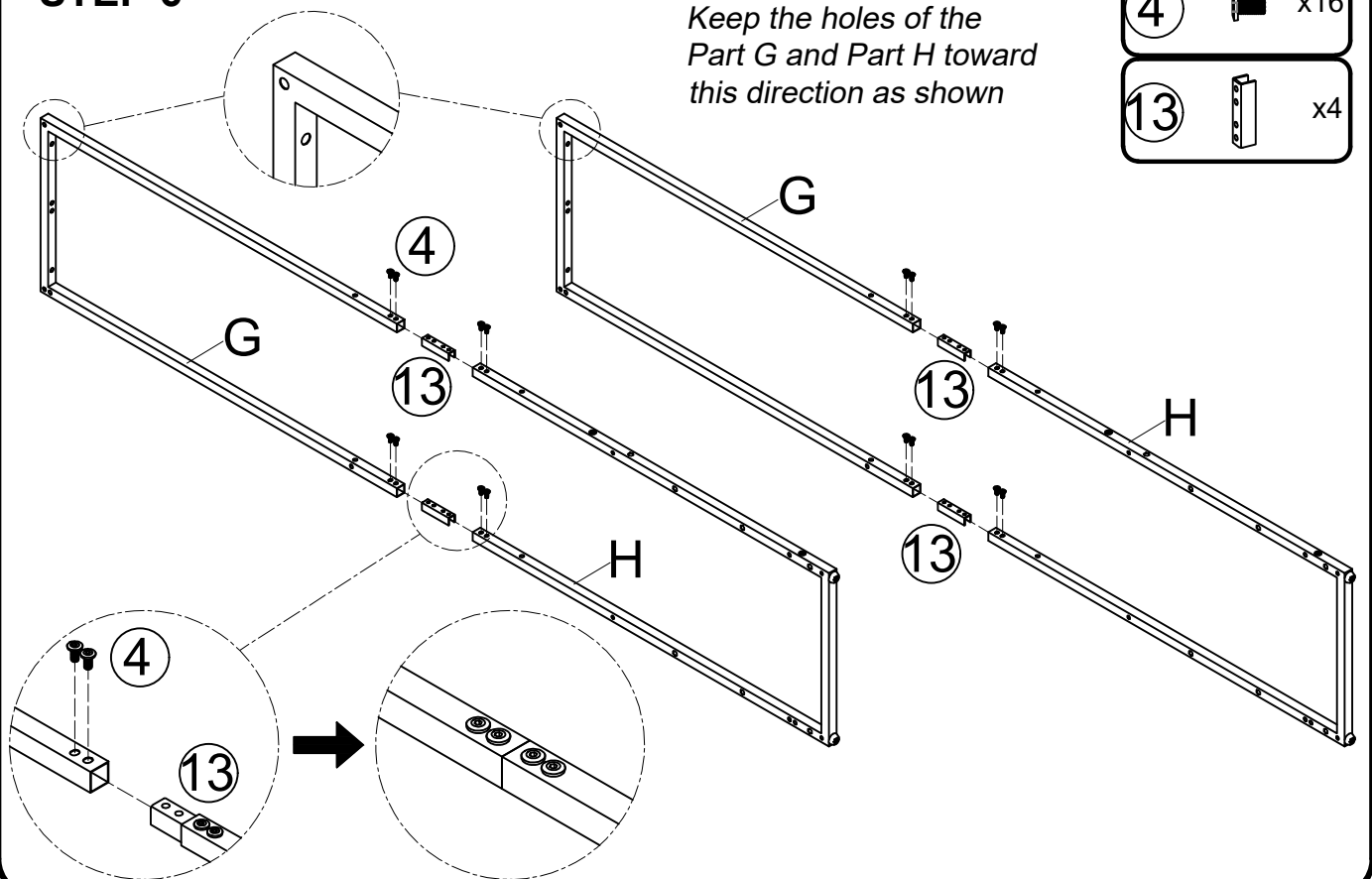
4		x16
13		x4



### STEP 6



Keep the holes of the Part G and Part H toward this direction as shown

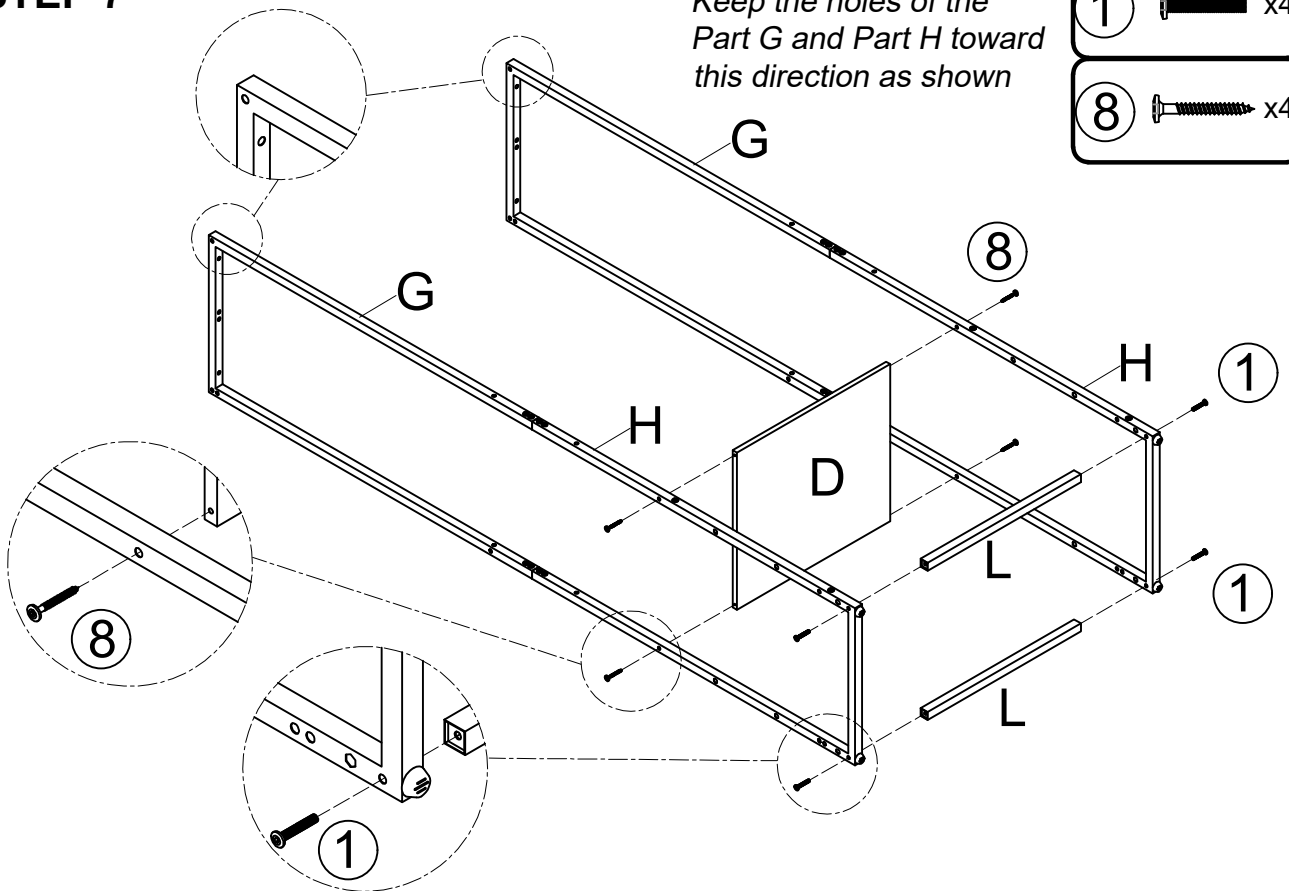
4		x16
13		x4





**STEP 7**

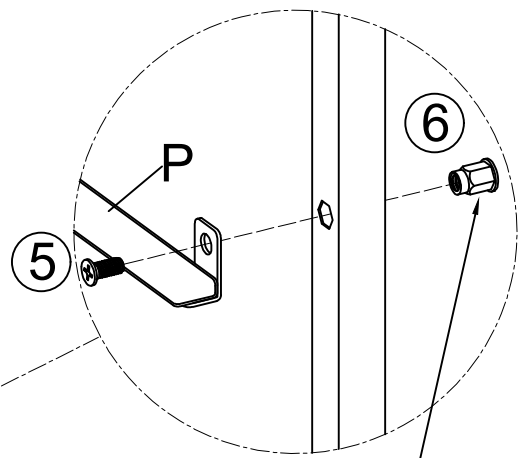
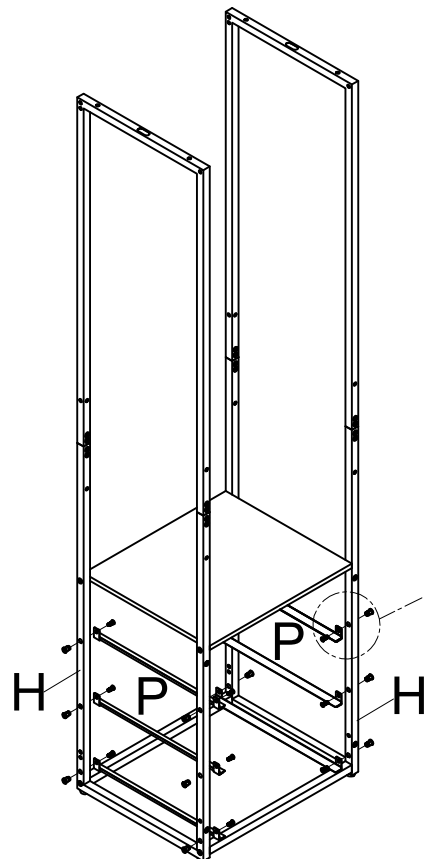
Keep the holes of the Part G and Part H toward this direction as shown

- ①  x4
- ⑧  x4



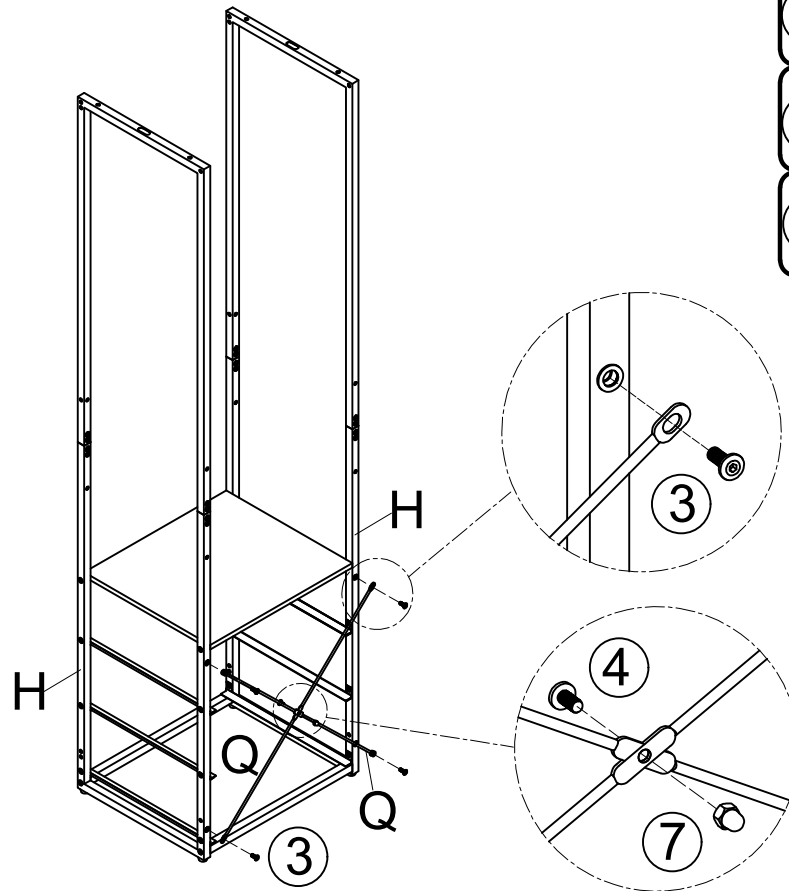
**STEP 8**

- ⑤  x12
- ⑥  x12



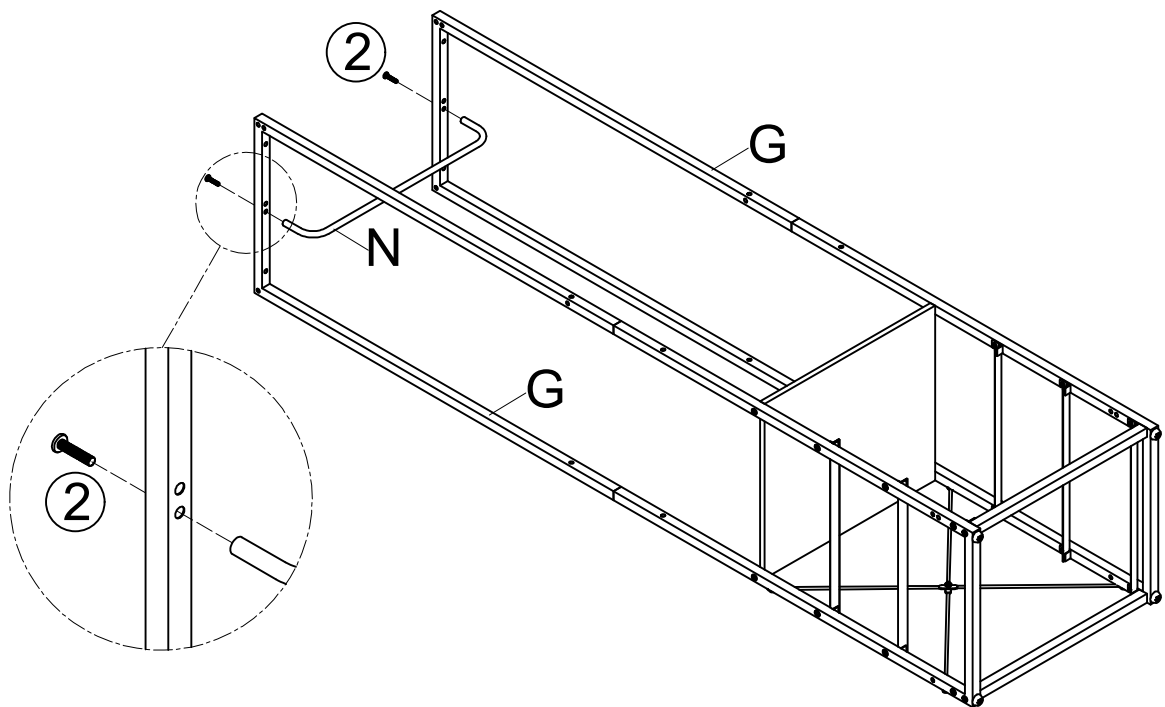
Note: Please insert a hex nut into the hole from outside and use the fingers to hold it, then fix the screws from the inner side.

**STEP 9**



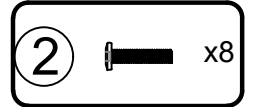
- 3 x4
- 4 x1
- 7 x1

**STEP 10**

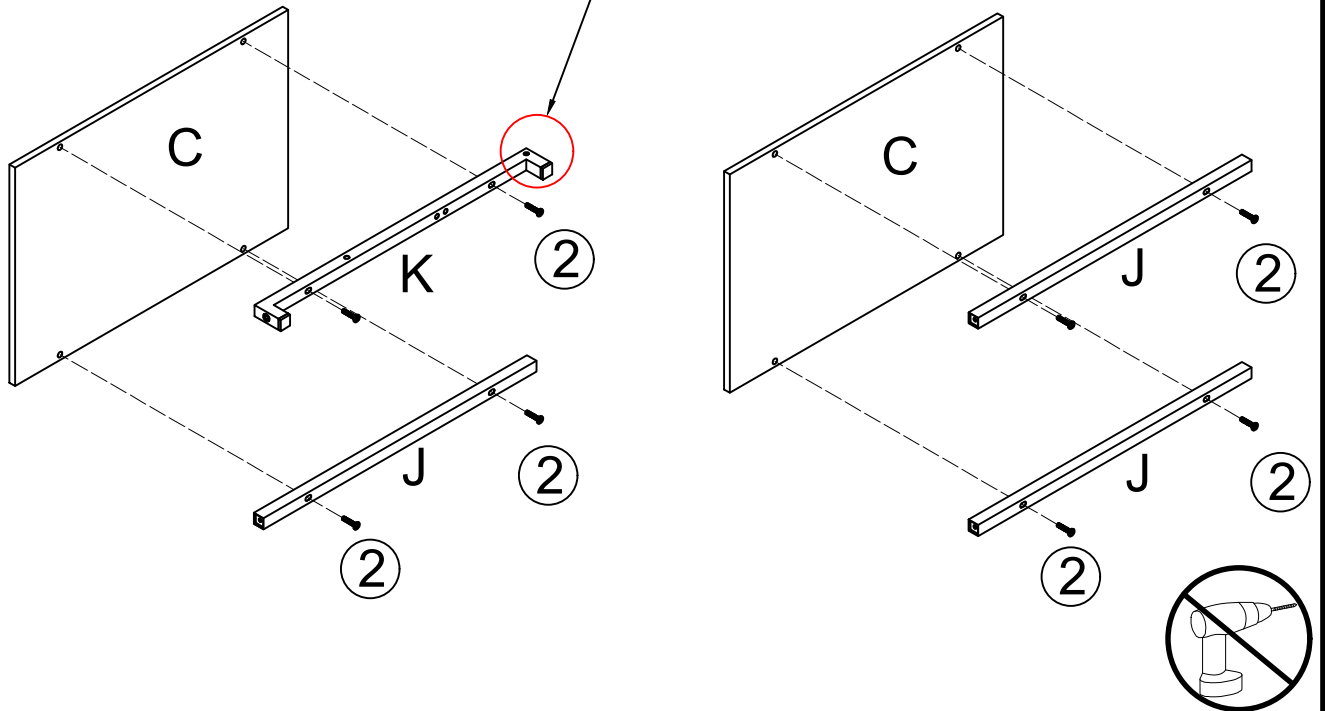


- 2 x2

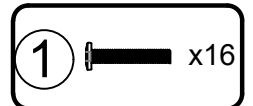
**STEP 11**



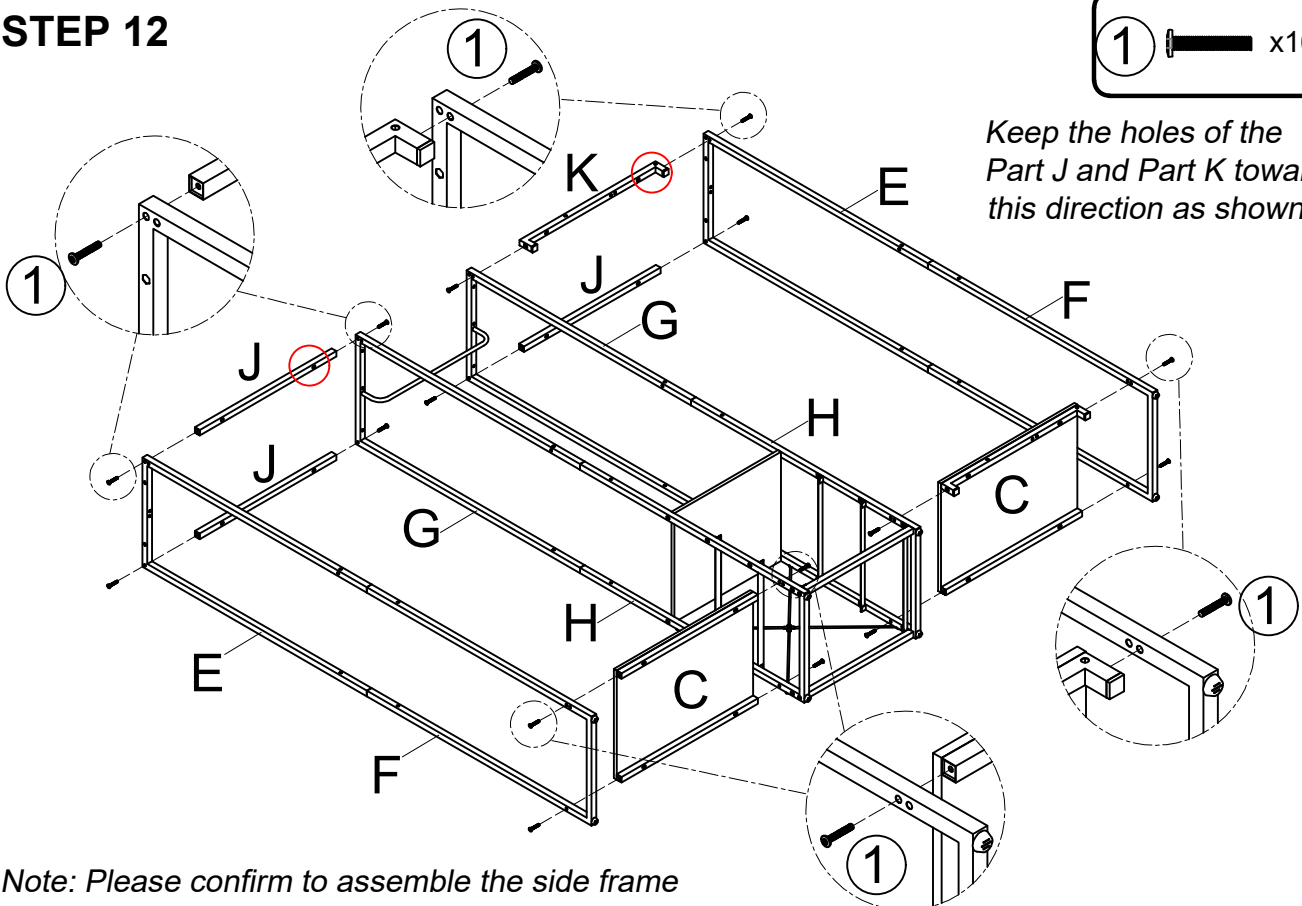
Keep the holes of the Part K toward this direction as shown



**STEP 12**




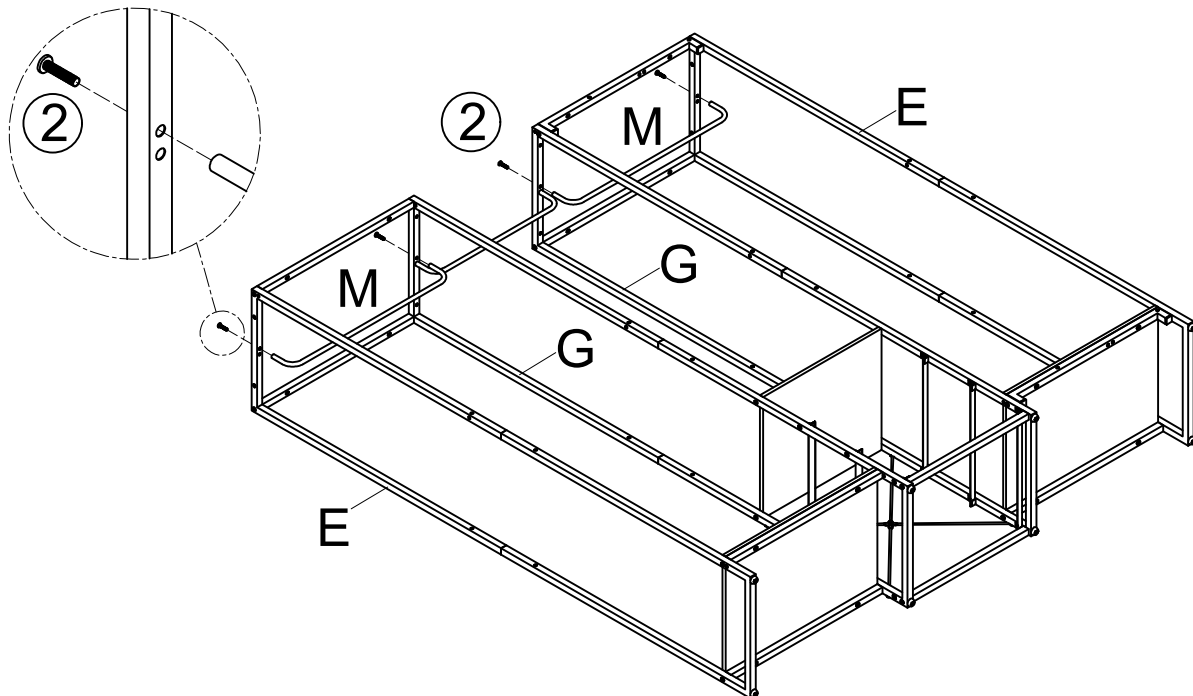
Keep the holes of the Part J and Part K toward this direction as shown




Note: Please confirm to assemble the side frame with right holes (special lower or upper hole) shown above.


### STEP 13


②  x4



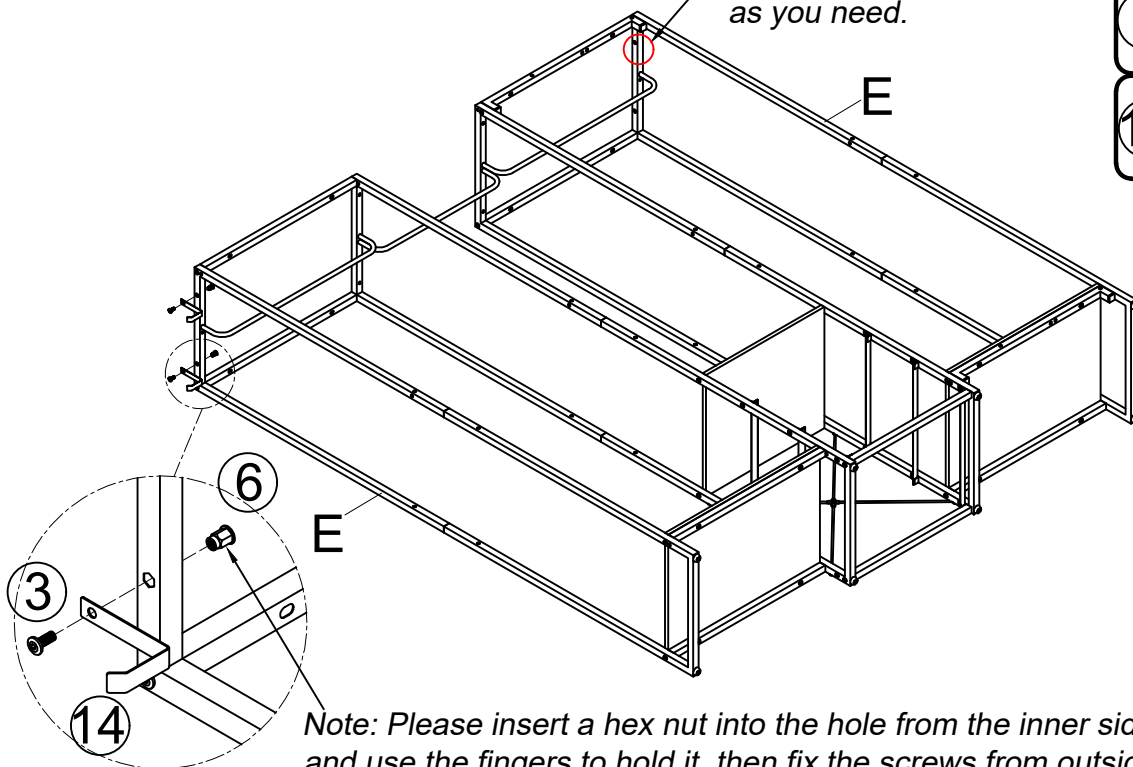
### STEP 14

③  x2

⑥  x2

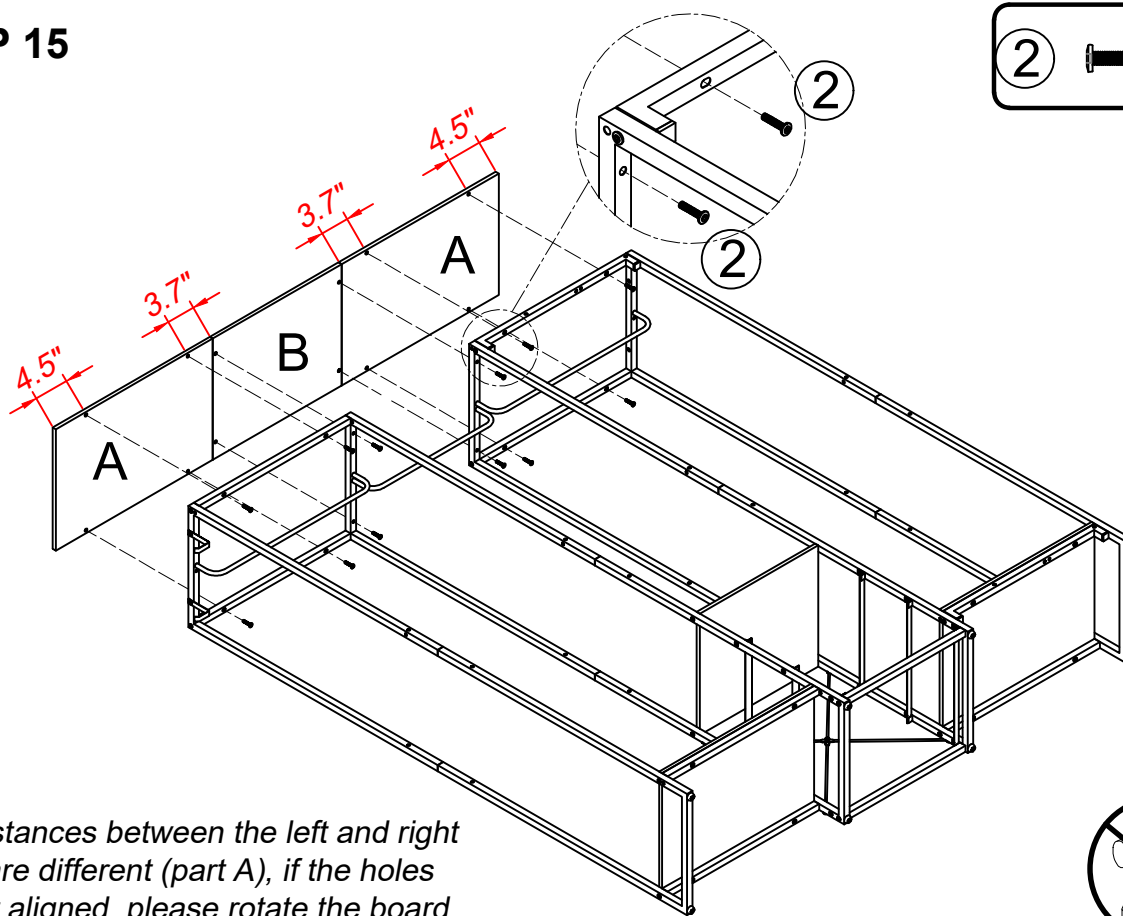
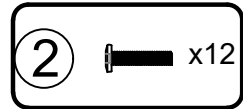
⑭  x2

You can also install the hook to the other side as you need.



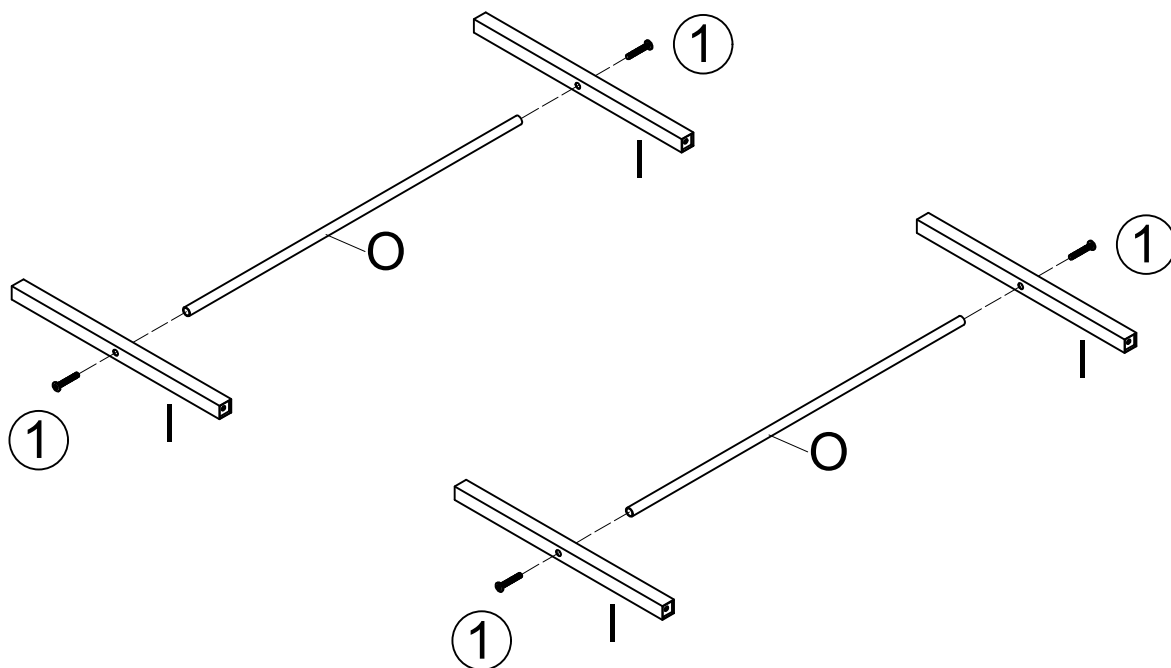
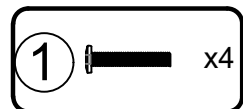
Note: Please insert a hex nut into the hole from the inner side and use the fingers to hold it, then fix the screws from outside.

### STEP 15

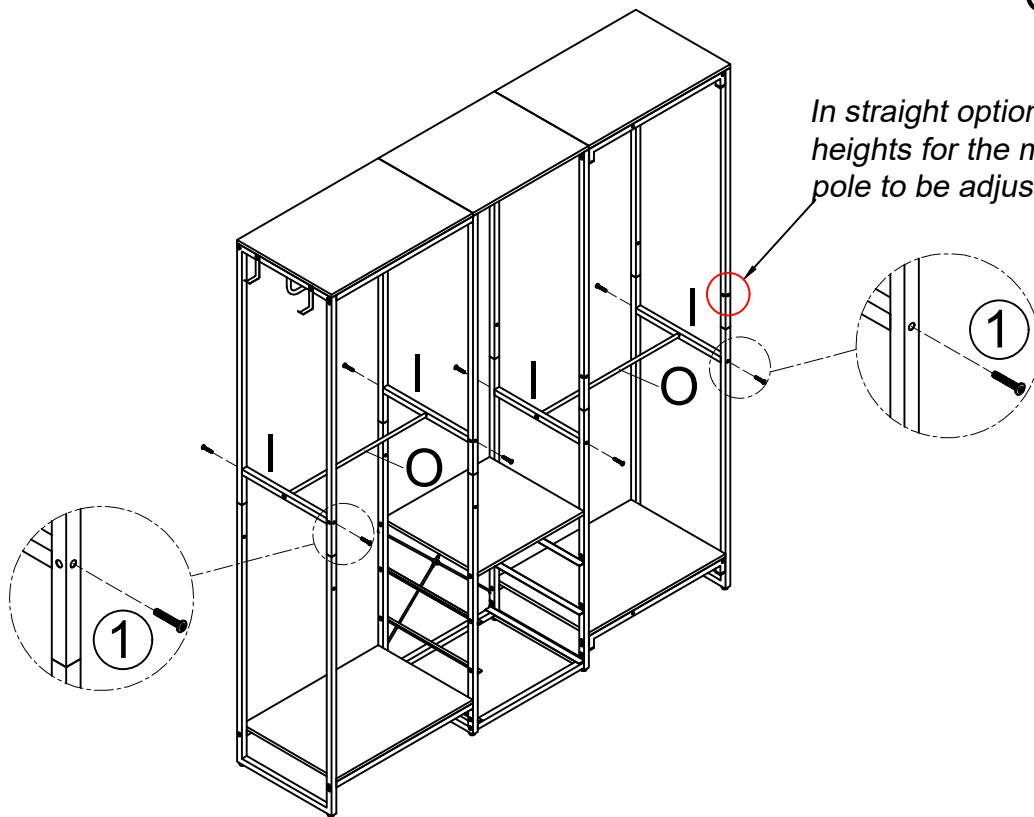
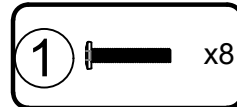


The distances between the left and right holes are different (part A), if the holes are not aligned, please rotate the board.

### STEP 16

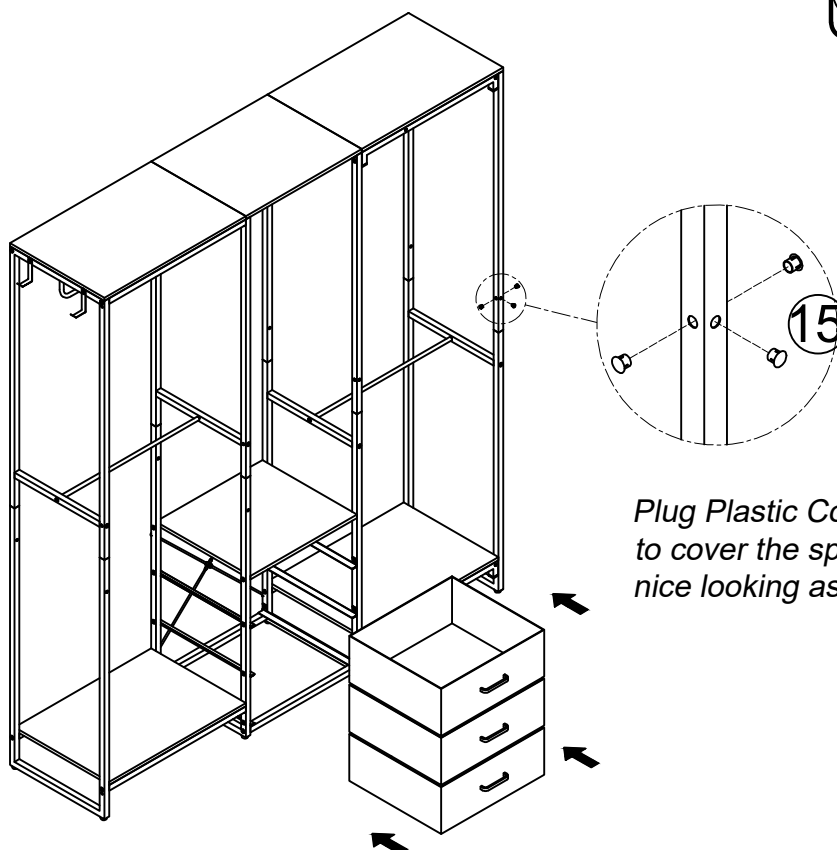
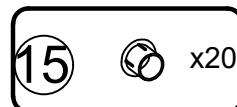


**STEP 17**




*In straight option, There are 2 heights for the middle garment pole to be adjusted as you need.*

**STEP 18**



*Plug Plastic Covers Part 15 to cover the spare holes for nice looking as you need.*

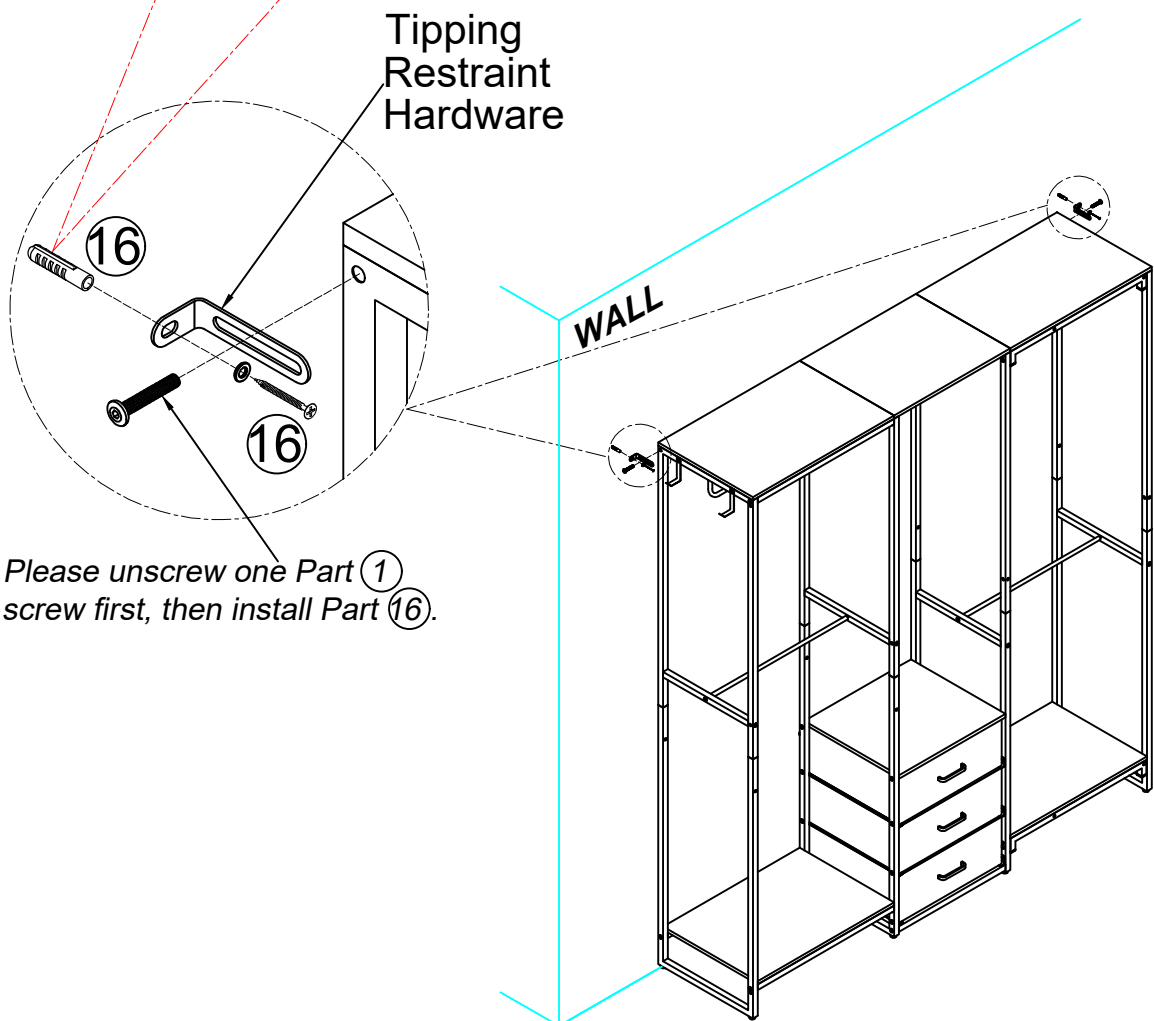
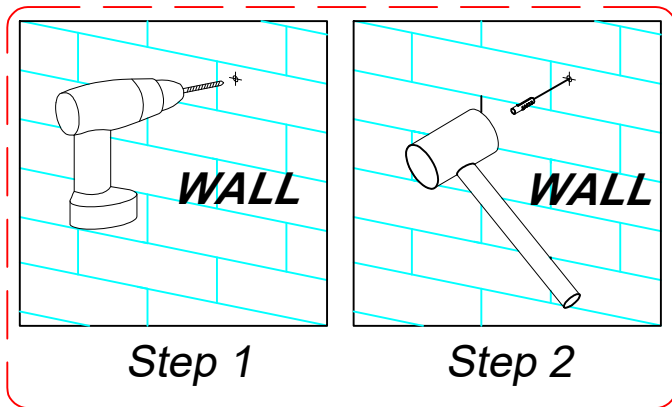
# STEP 19

16  x2

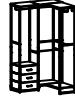
## TIPPING RESTRAINT HARDWARE

**Note:** We have included two Tipping Restraint Hardware set for this Unit. When properly installed, this restraint can provide protection against the unexpected tipping of the Unit due to small tremors, bumps or climbing. We strongly recommend mounting this hardware to a wall stud and your Unit.

**Note:** You must install the Tipping Restraint Hardware with the unit in use to prevent any accidents or damage to the unit.

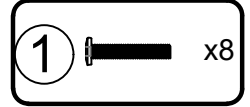


# Option B

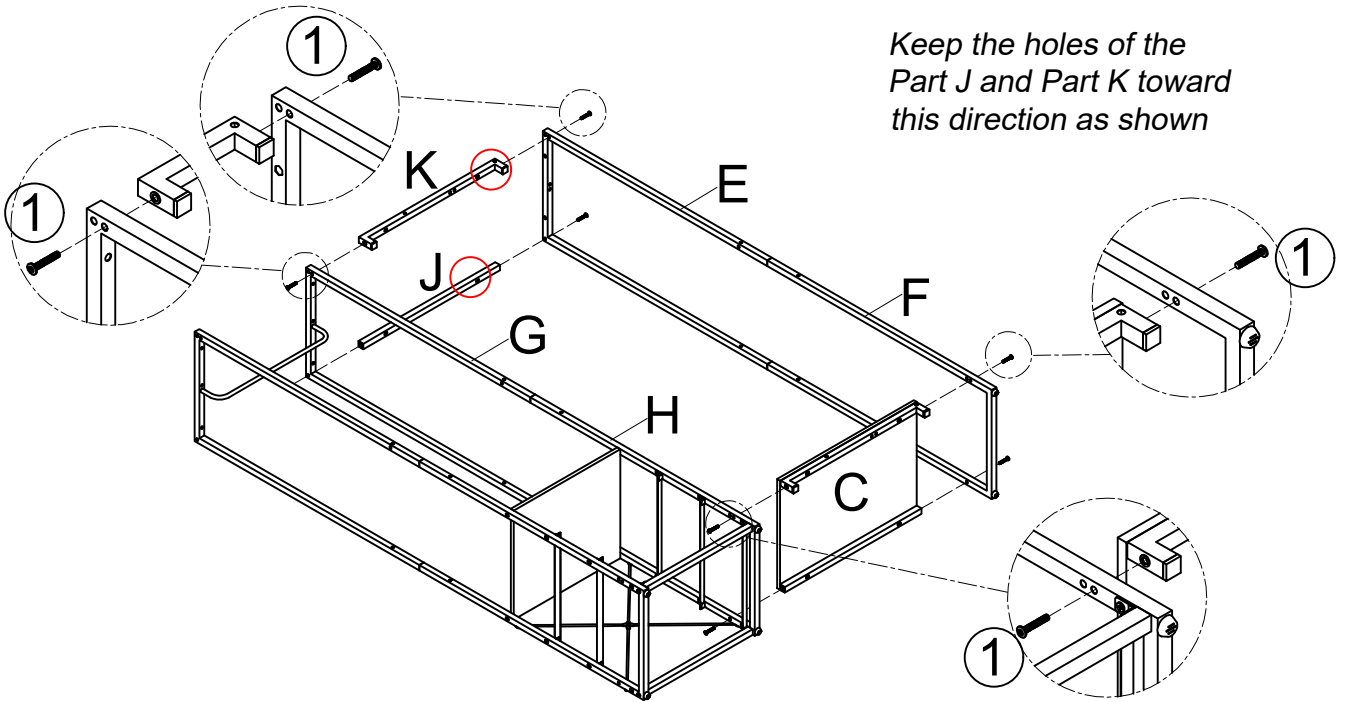


## STEP 12

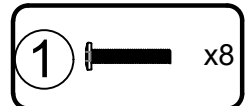
Repeat step 1 through 11 as same as Option A create a Middle Frame Assembly, then continue to assemble the Option B from step 12.



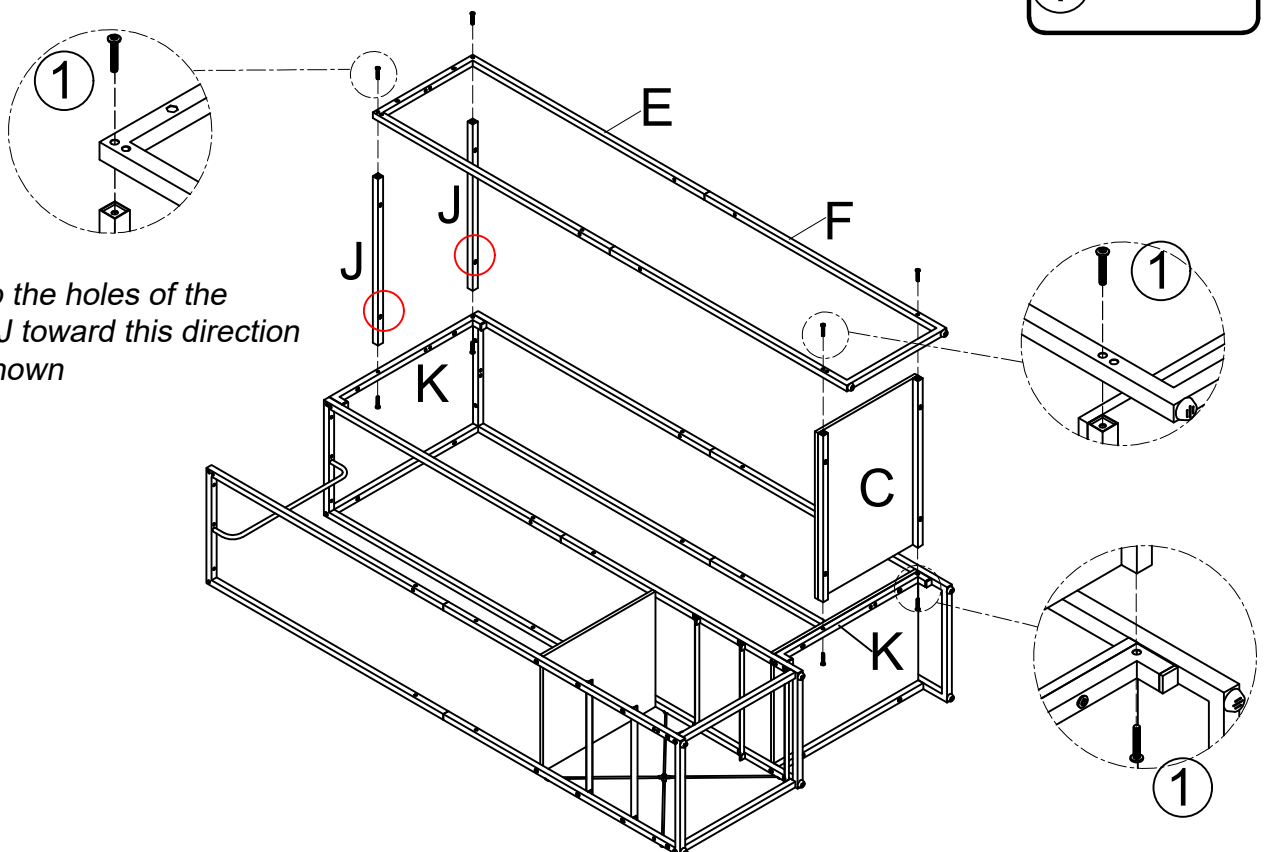
Keep the holes of the Part J and Part K toward this direction as shown



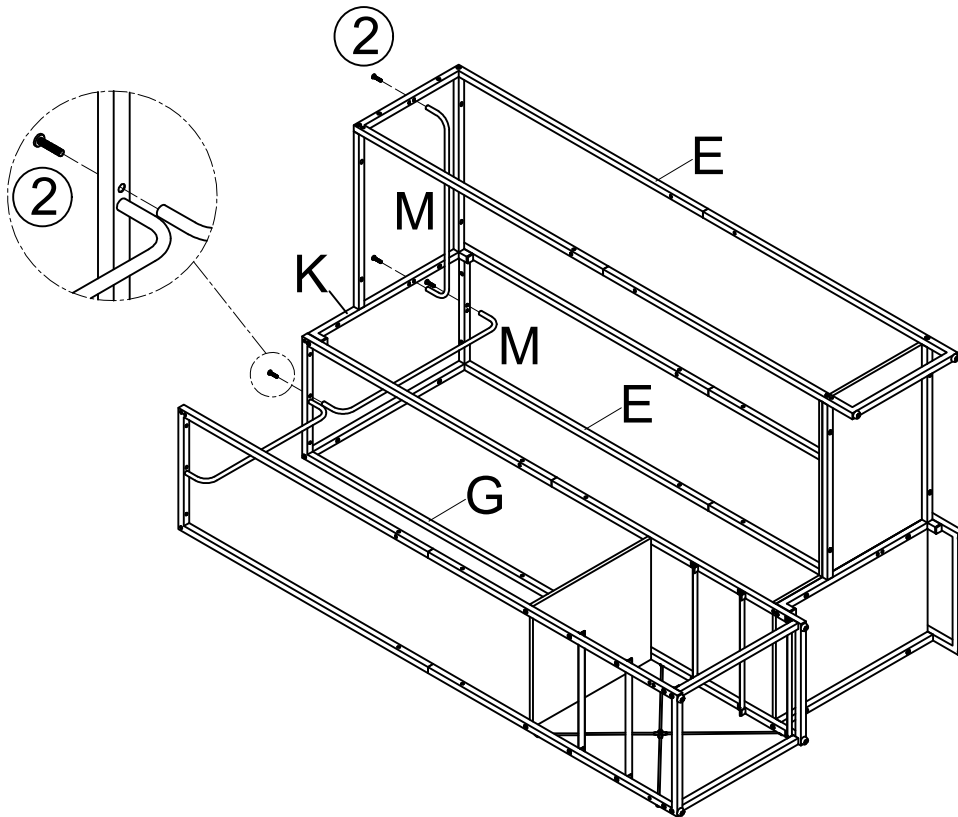
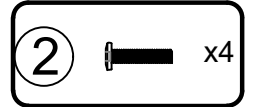
## STEP 13



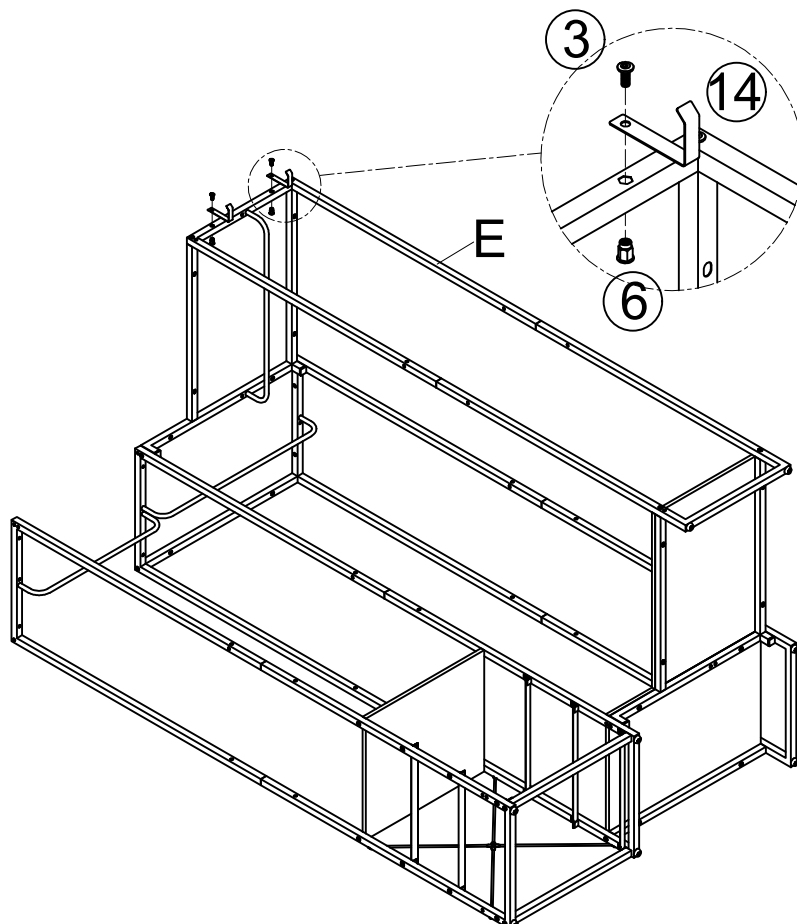
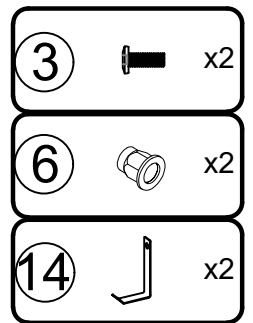
Keep the holes of the Part J toward this direction as shown




**STEP 14**

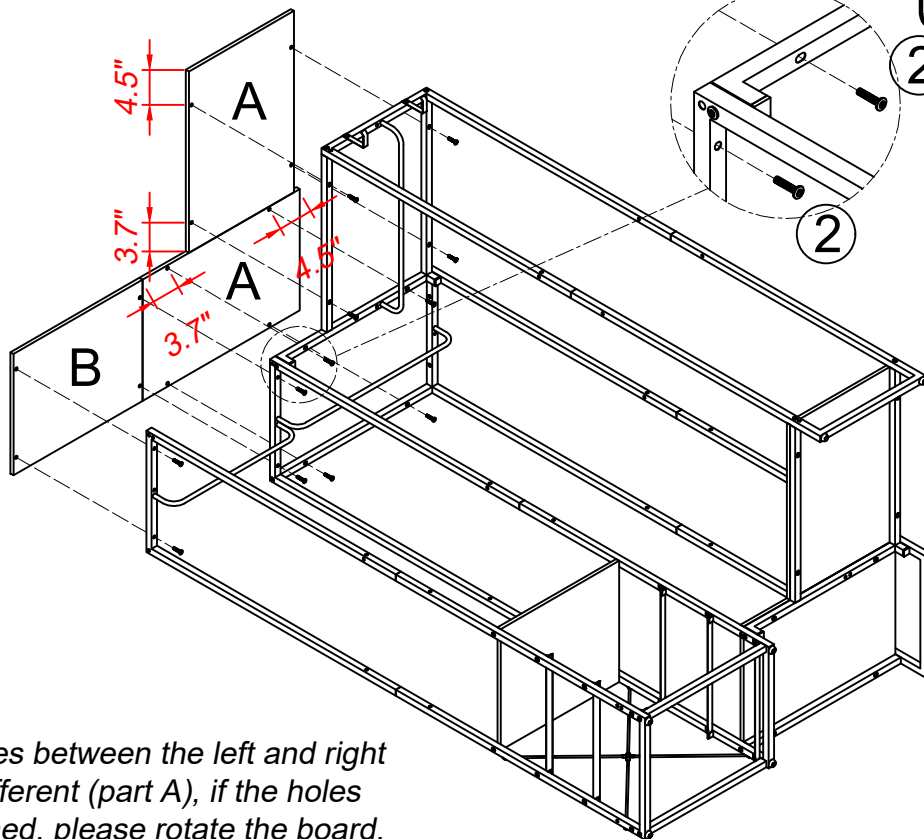


**STEP 15**



**STEP 16**


②  x12

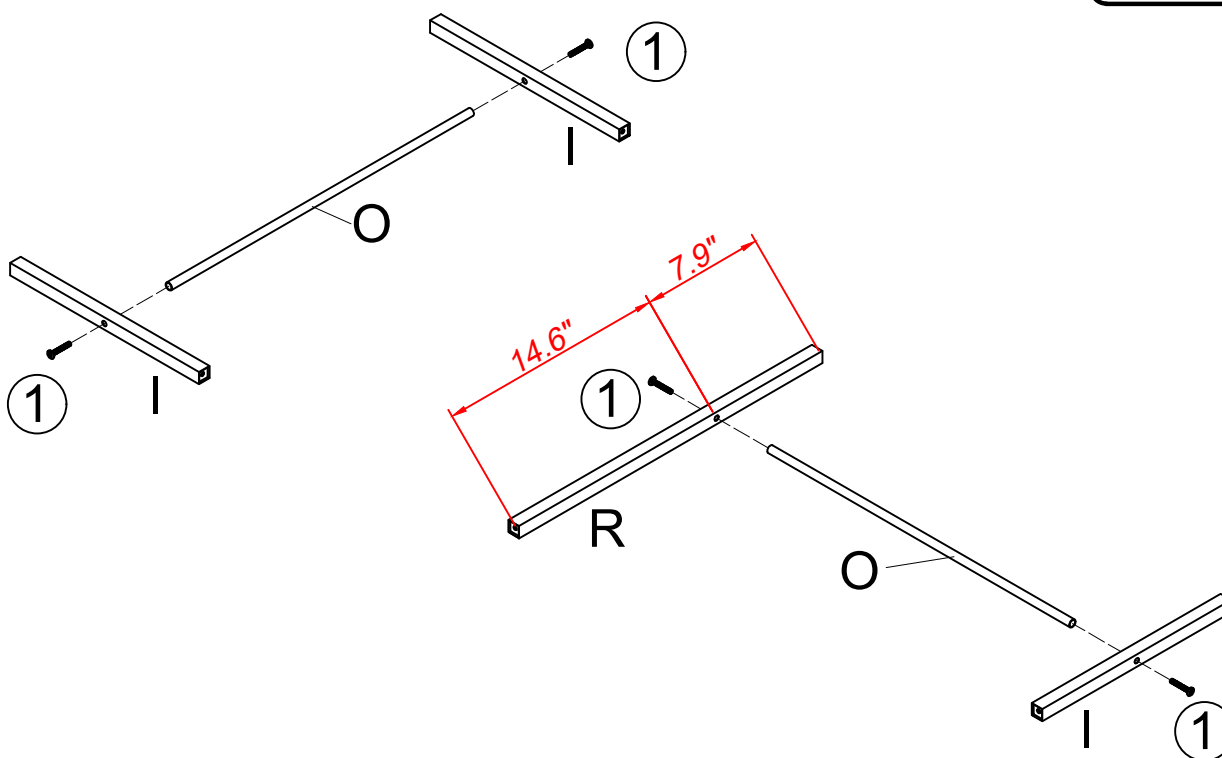


*The distances between the left and right holes are different (part A), if the holes are not aligned, please rotate the board.*




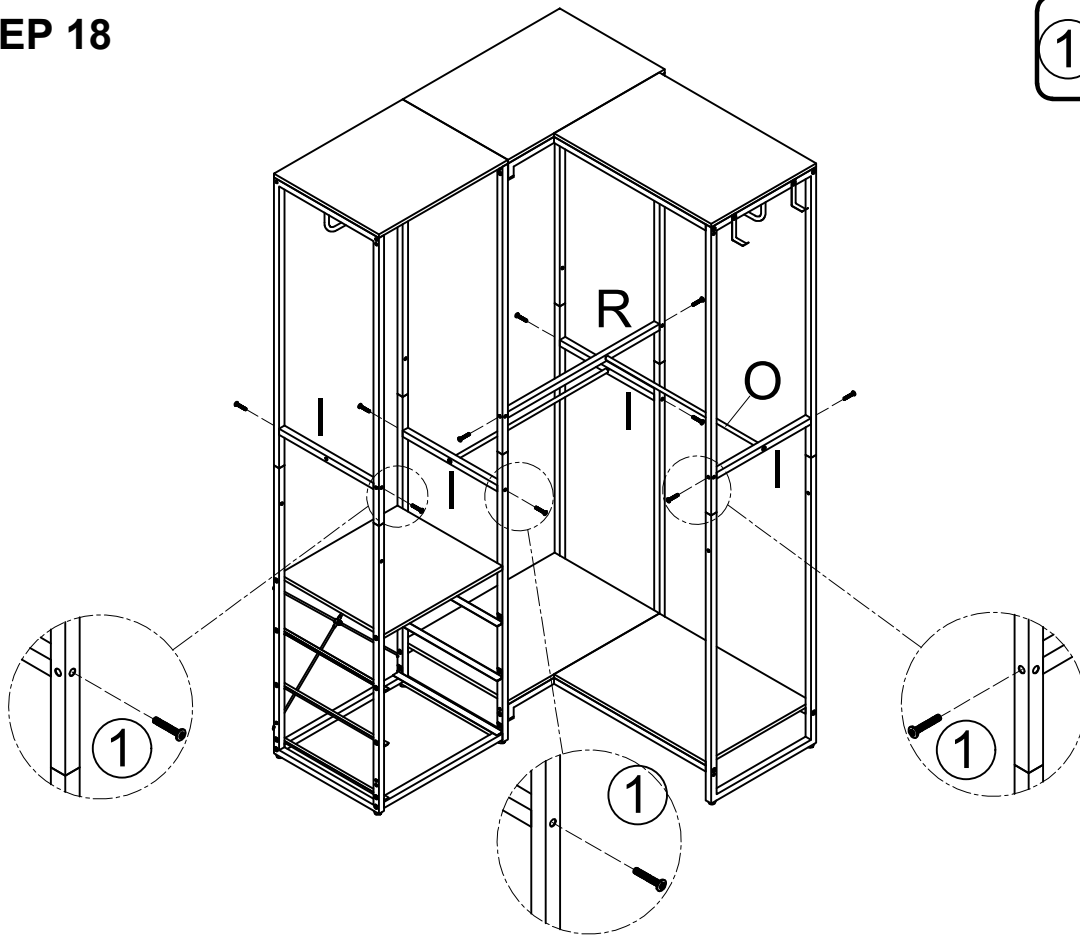
**STEP 17**

①  x4




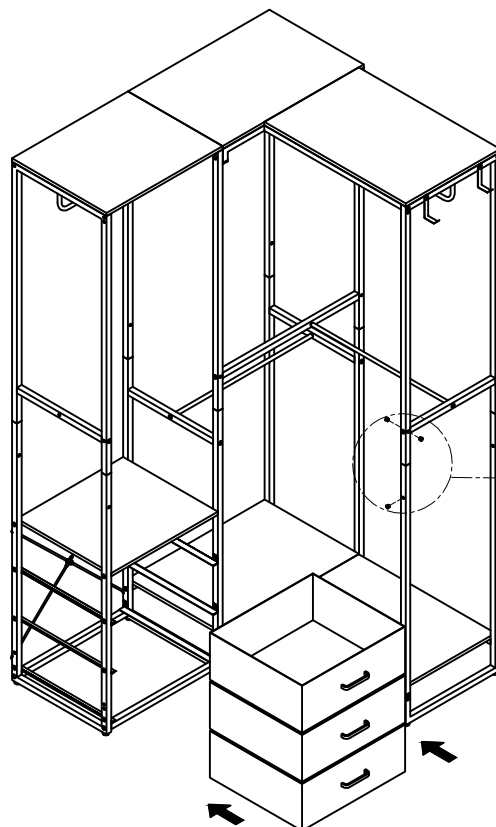
**STEP 18**

**1**  x10



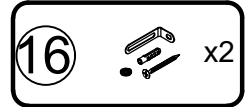
**STEP 19**

**15**  x20



*Plug Plastic Covers Part **15** to cover the spare holes for nice looking as you need.*

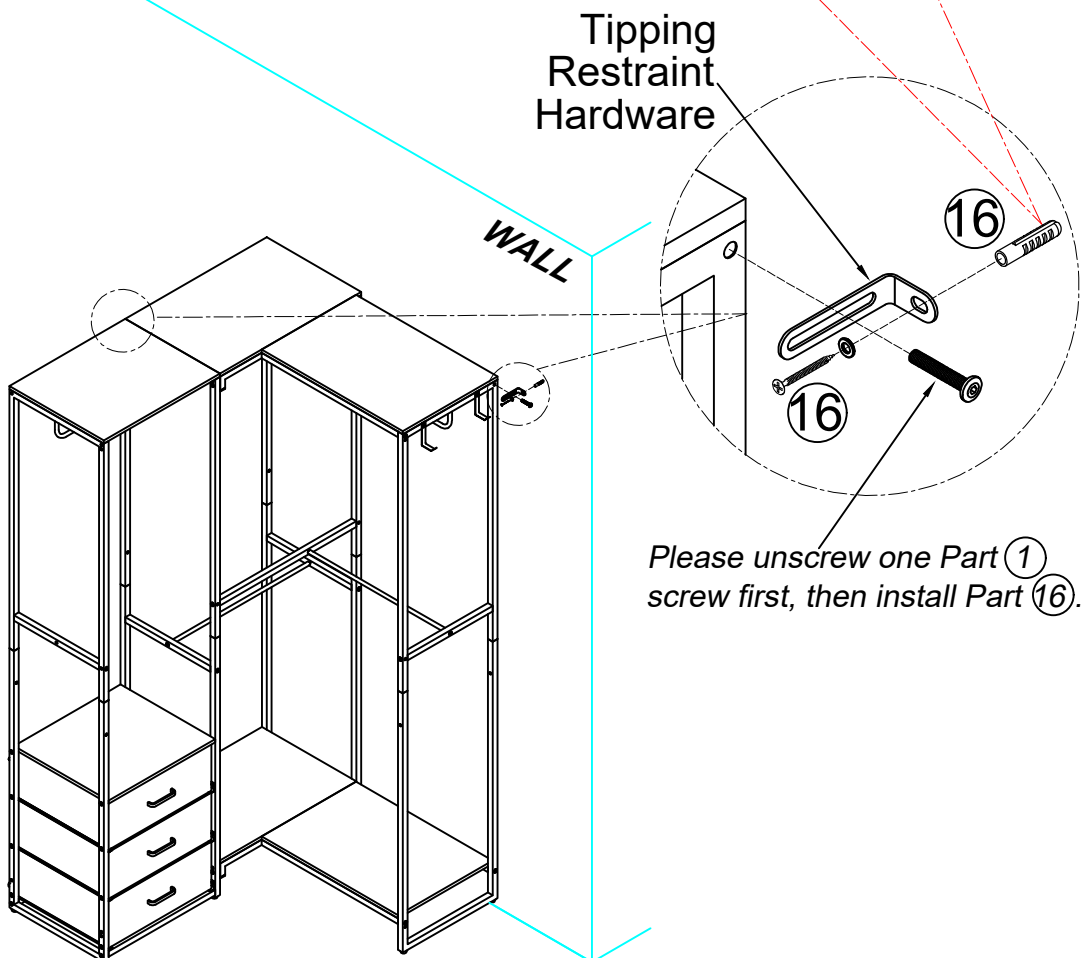
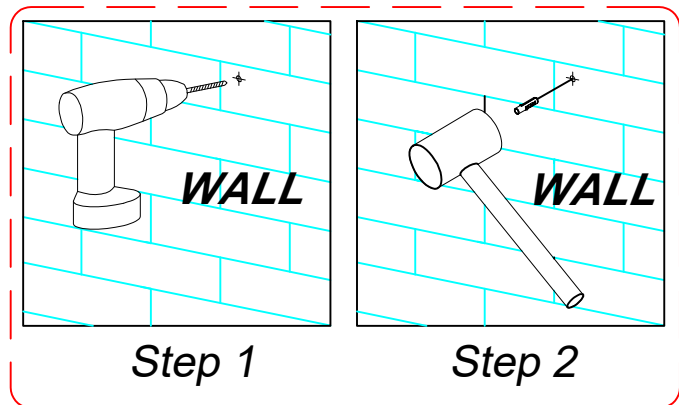
## STEP 20



### TIPPING RESTRAINT HARDWARE

**Note:** We have included two Tipping Restraint Hardware set for this Unit. When properly installed, this restraint can provide protection against the unexpected tipping of the Unit due to small tremors, bumps or climbing. We strongly recommend mounting this hardware to a wall stud and your Unit.

**Note:** You must install the Tipping Restraint Hardware with the unit in use to prevent any accidents or damage to the unit.

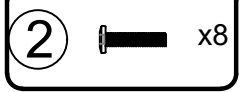


# Option C

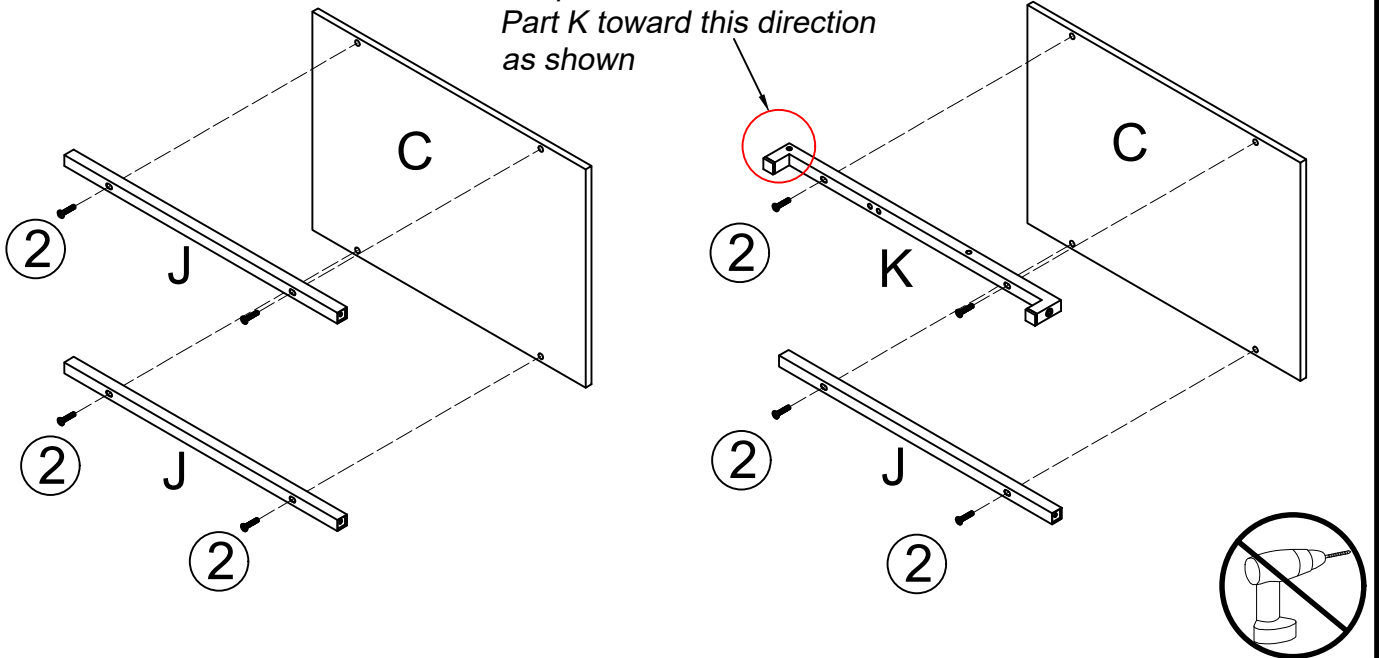


## STEP 11

Repeat step 1 through 10 as same as Option A create a Middle Frame Assembly, then continue to assemble the Option C from step 11.

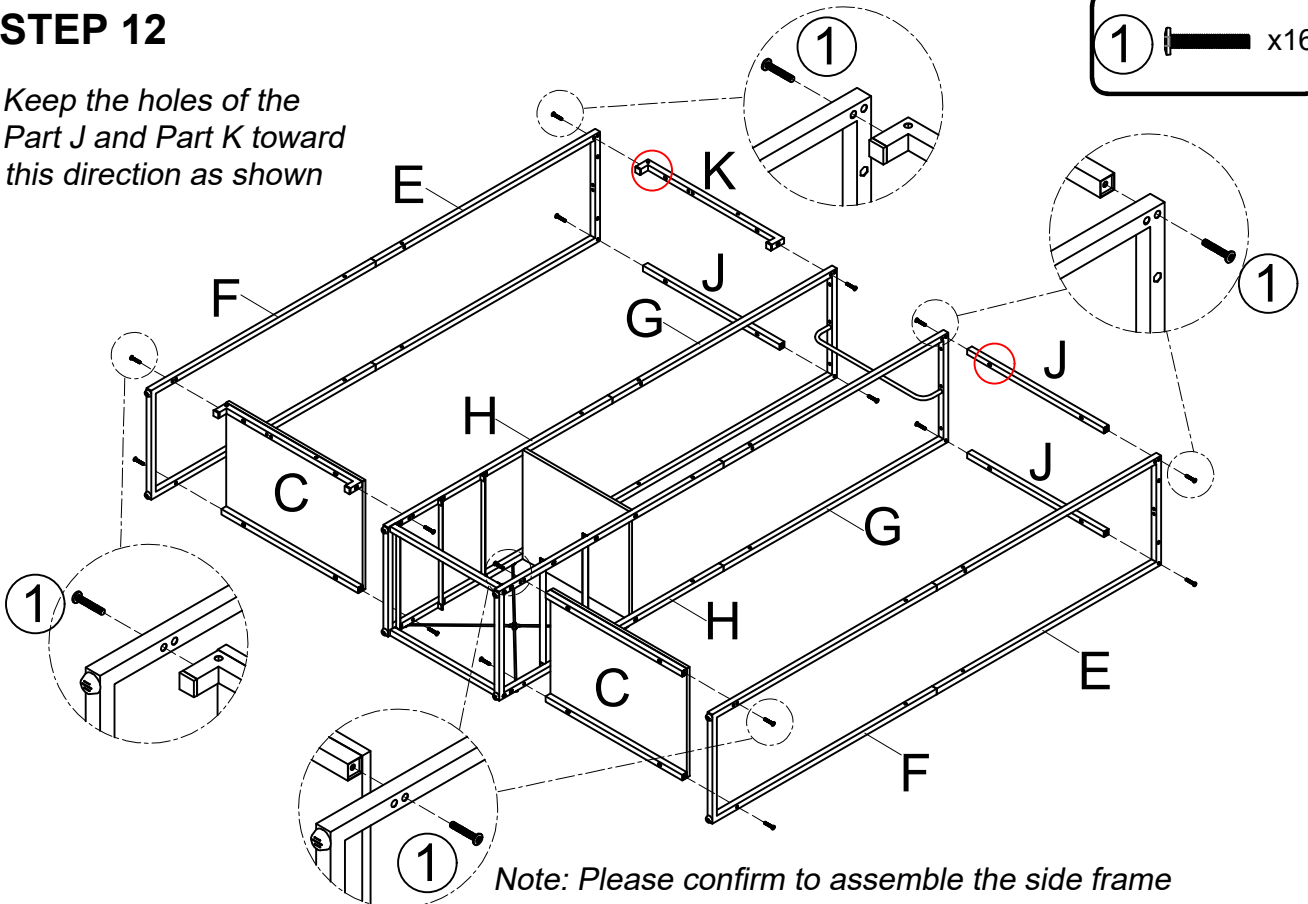
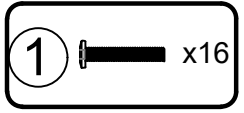


Keep the holes of the Part K toward this direction as shown



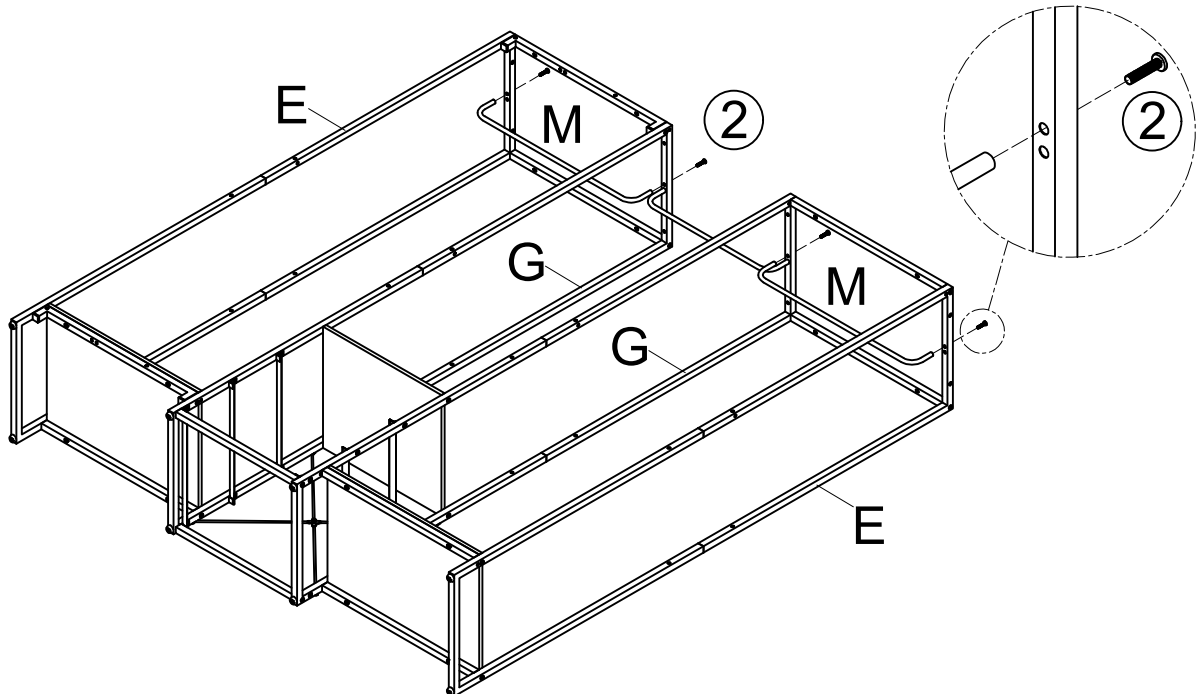
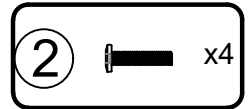
## STEP 12

Keep the holes of the Part J and Part K toward this direction as shown



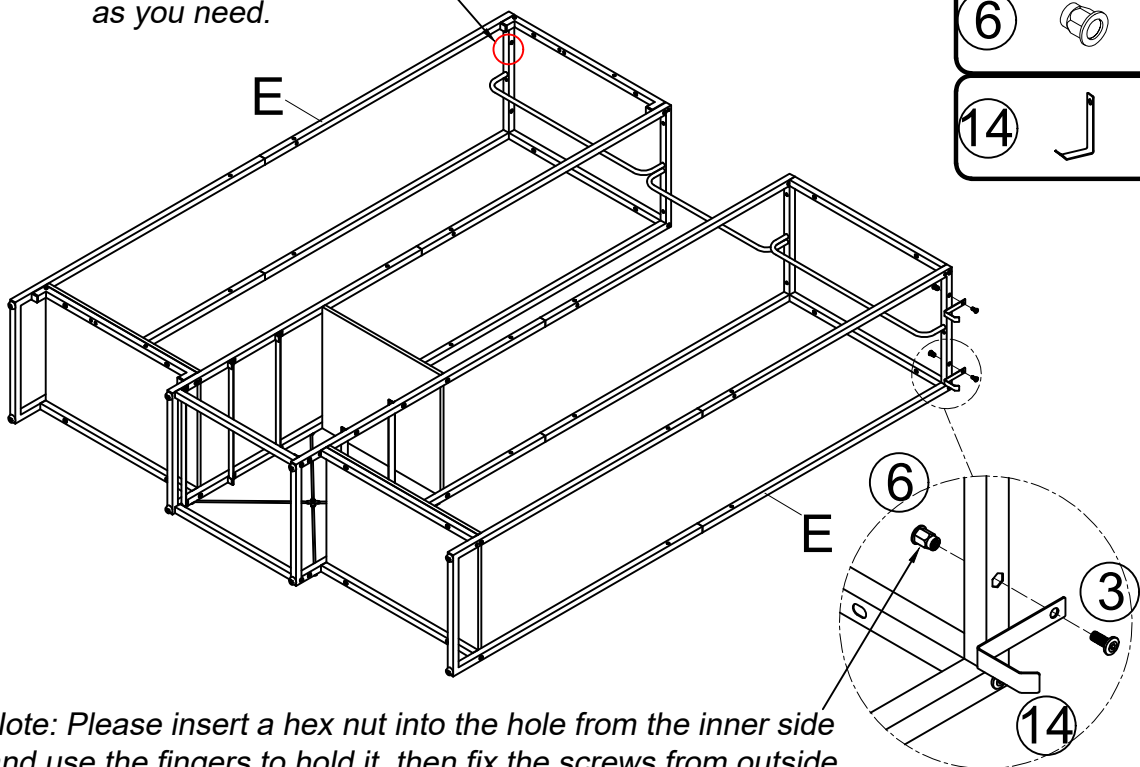
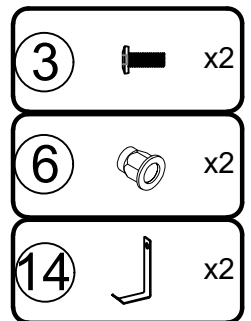
Note: Please confirm to assemble the side frame with right holes (special lower or upper hole) shown above.

### STEP 13




### STEP 14

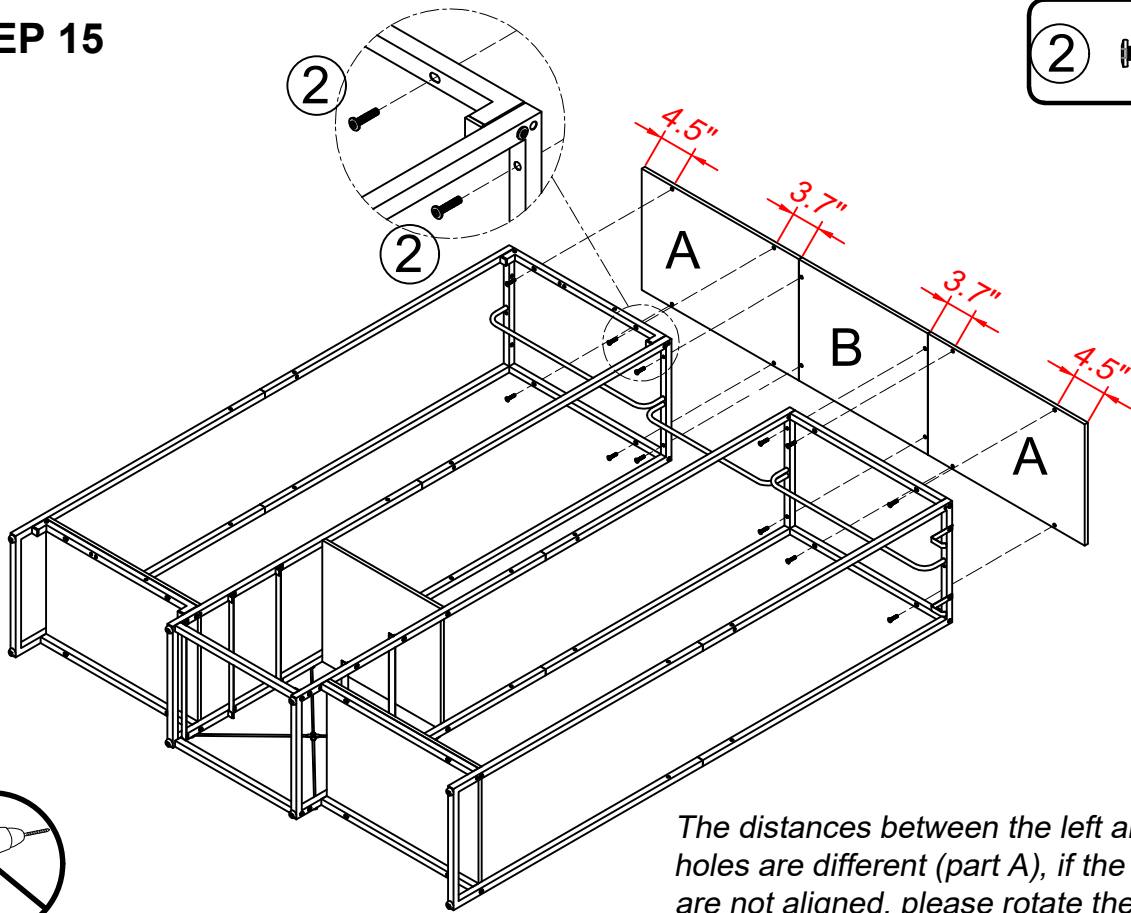
You can also install the hook to the other side as you need.



Note: Please insert a hex nut into the hole from the inner side and use the fingers to hold it, then fix the screws from outside.


### STEP 15

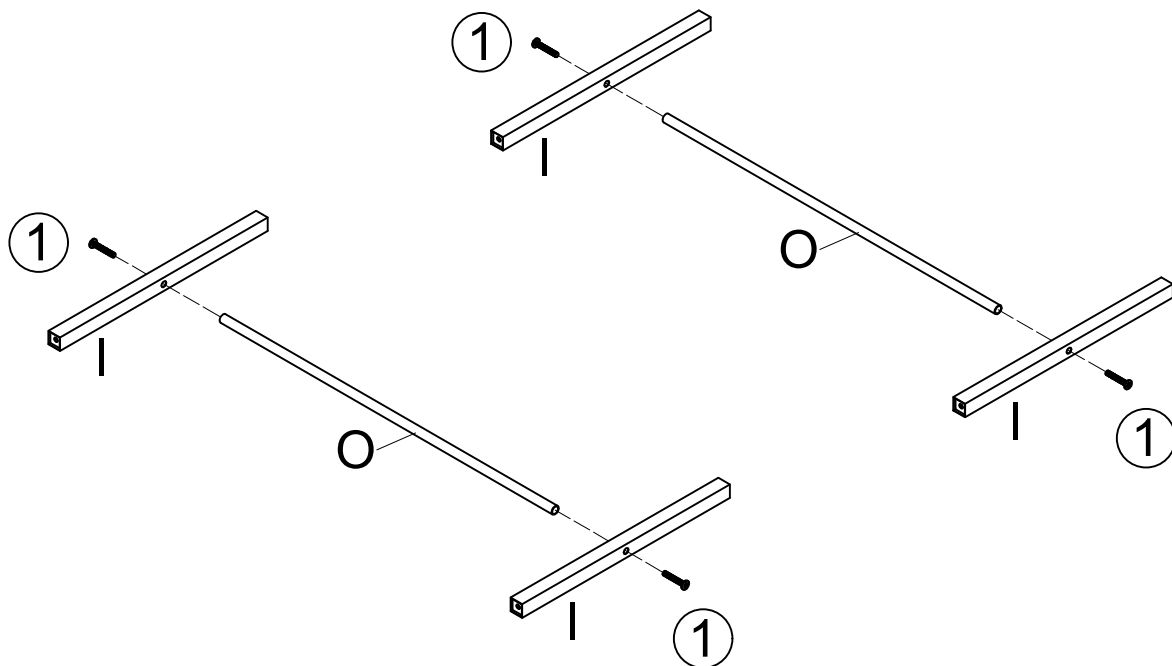
②  x12



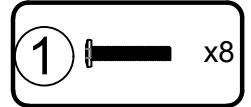
*The distances between the left and right holes are different (part A), if the holes are not aligned, please rotate the board.*

### STEP 16

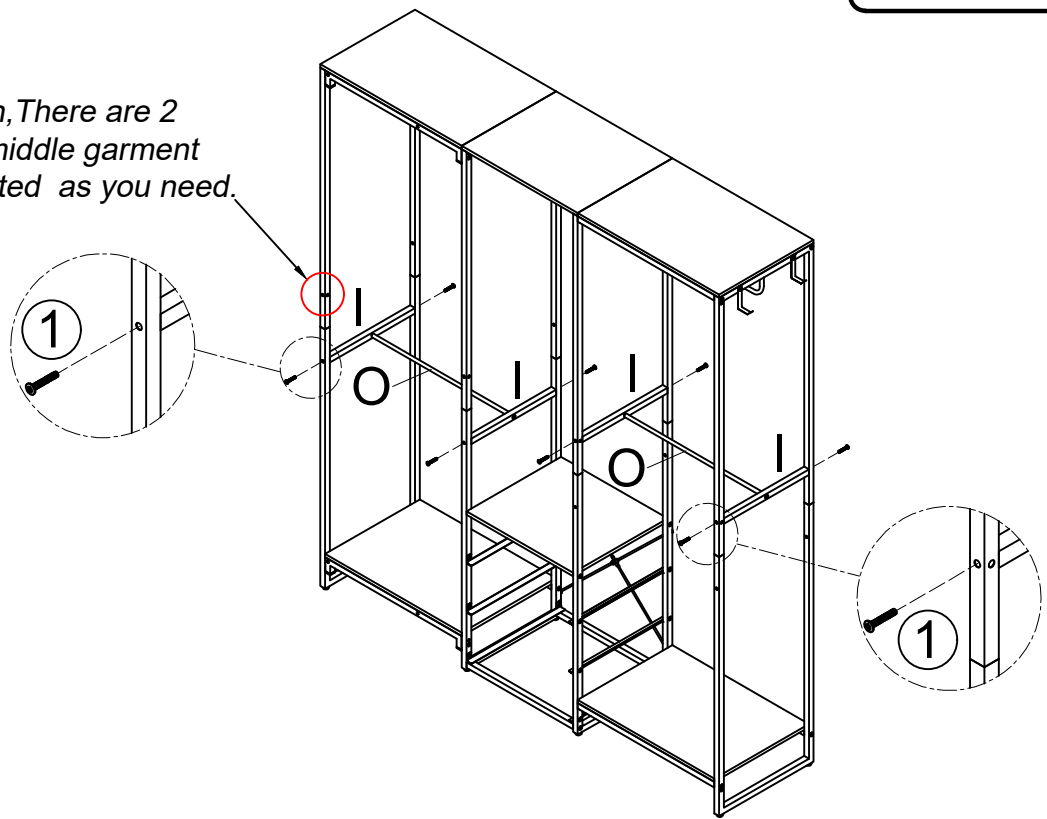
①  x4



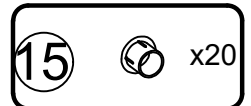
## STEP 17



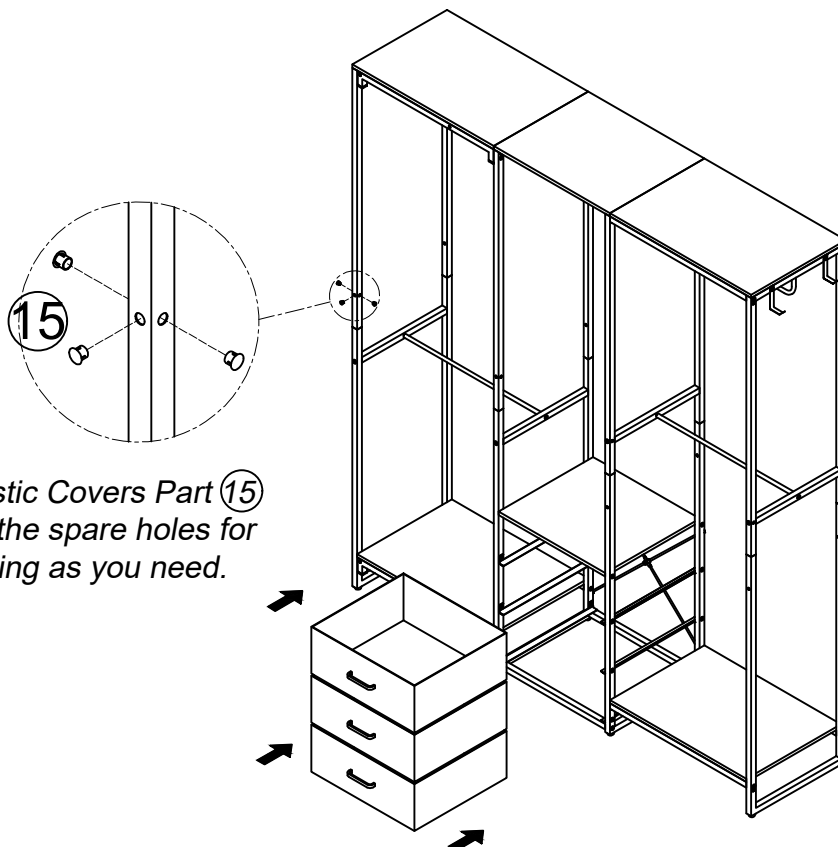
*In straight option, There are 2 heights for the middle garment pole to be adjusted as you need.*



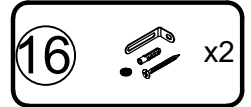
## STEP 18



*Plug Plastic Covers Part 15 to cover the spare holes for nice looking as you need.*



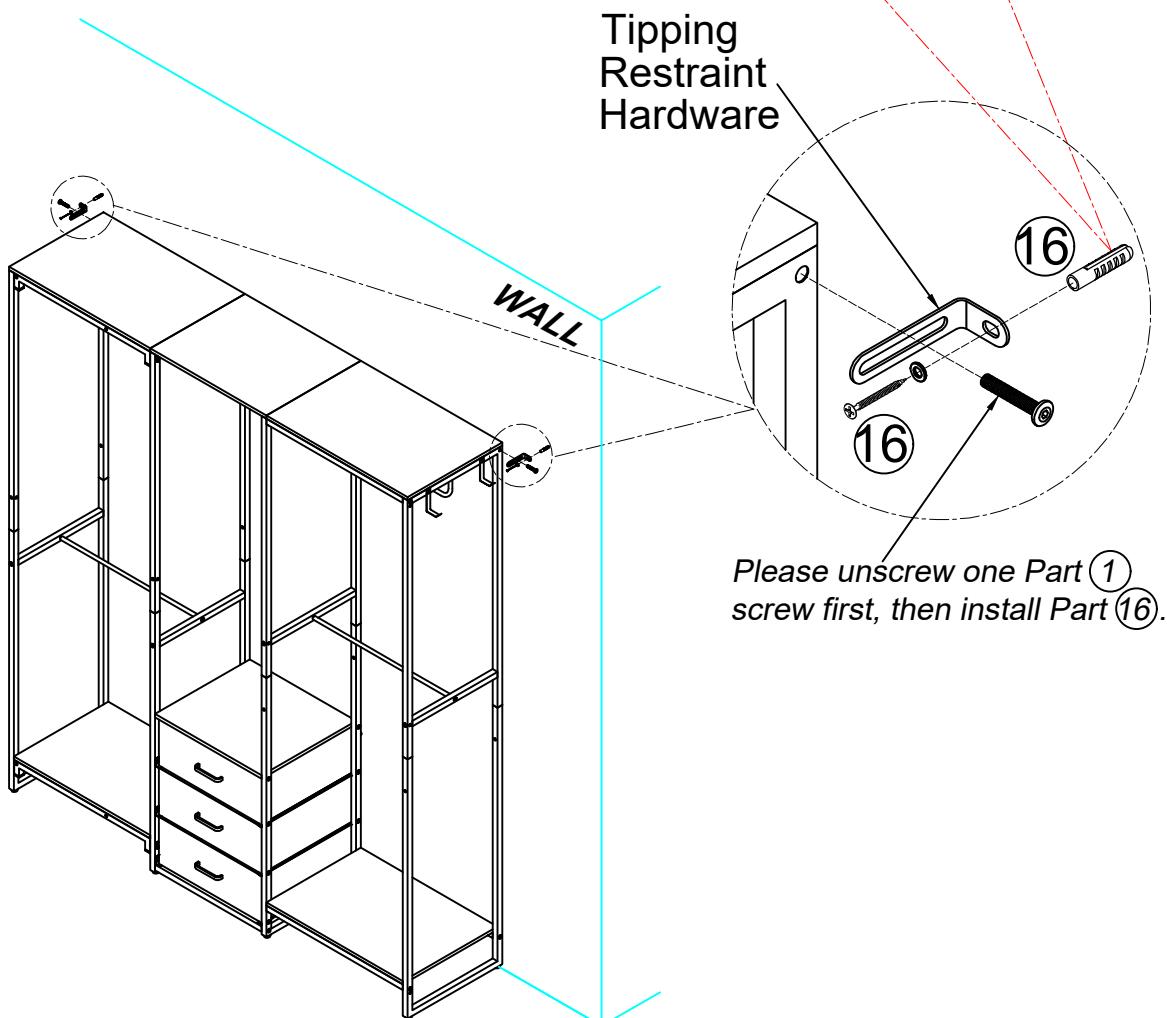
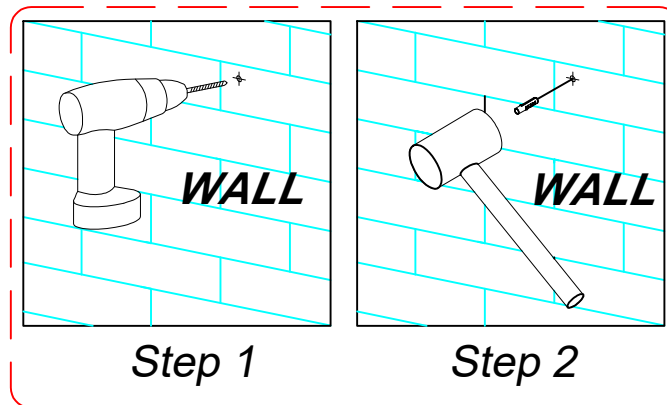
## STEP 19



### TIPPING RESTRAINT HARDWARE

**Note:** We have included two Tipping Restraint Hardware set for this Unit. When properly installed, this restraint can provide protection against the unexpected tipping of the Unit due to small tremors, bumps or climbing. We strongly recommend mounting this hardware to a wall stud and your Unit.

**Note:** You must install the Tipping Restraint Hardware with the unit in use to prevent any accidents or damage to the unit.



Please unscrew one Part ① screw first, then install Part ⑬.

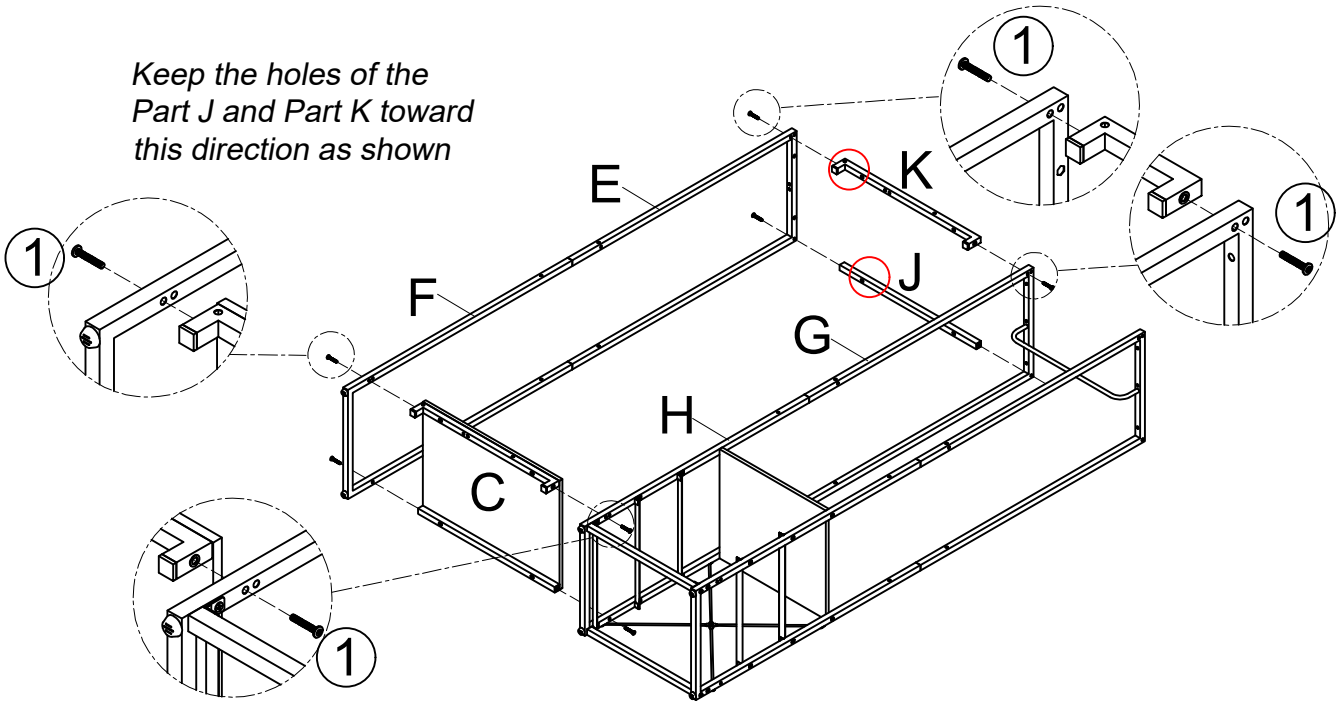
# Option D

## STEP 12

Repeat step 1 through 11 as same as Option C create a Middle Frame Assembly, then continue to assemble the Option D from step 12.



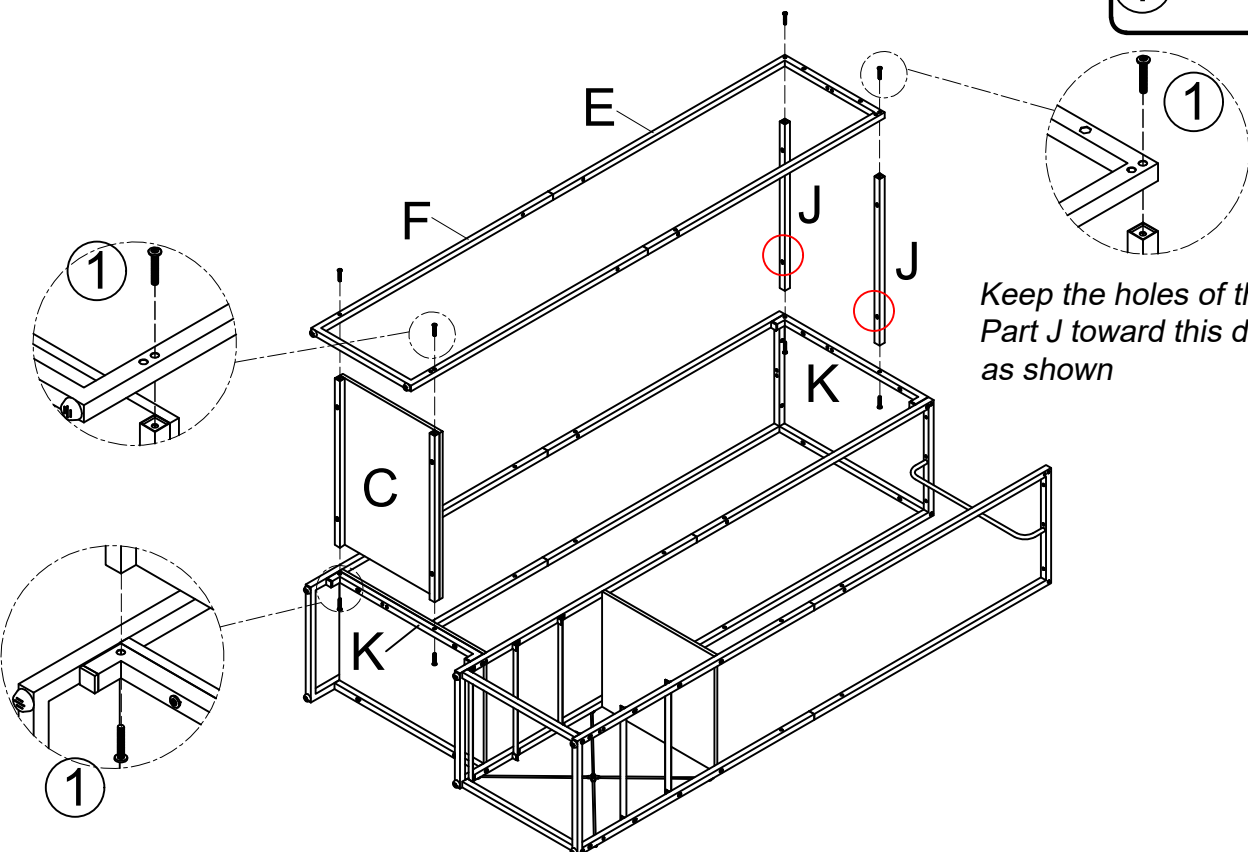
Keep the holes of the Part J and Part K toward this direction as shown



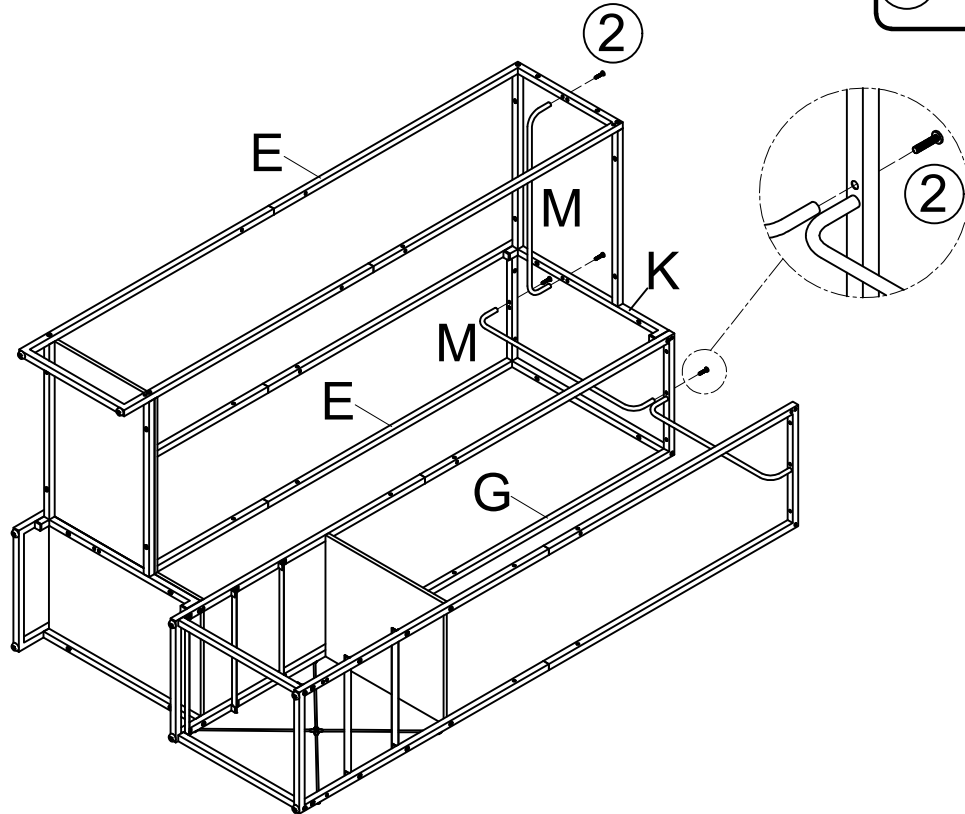
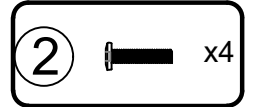
## STEP 13



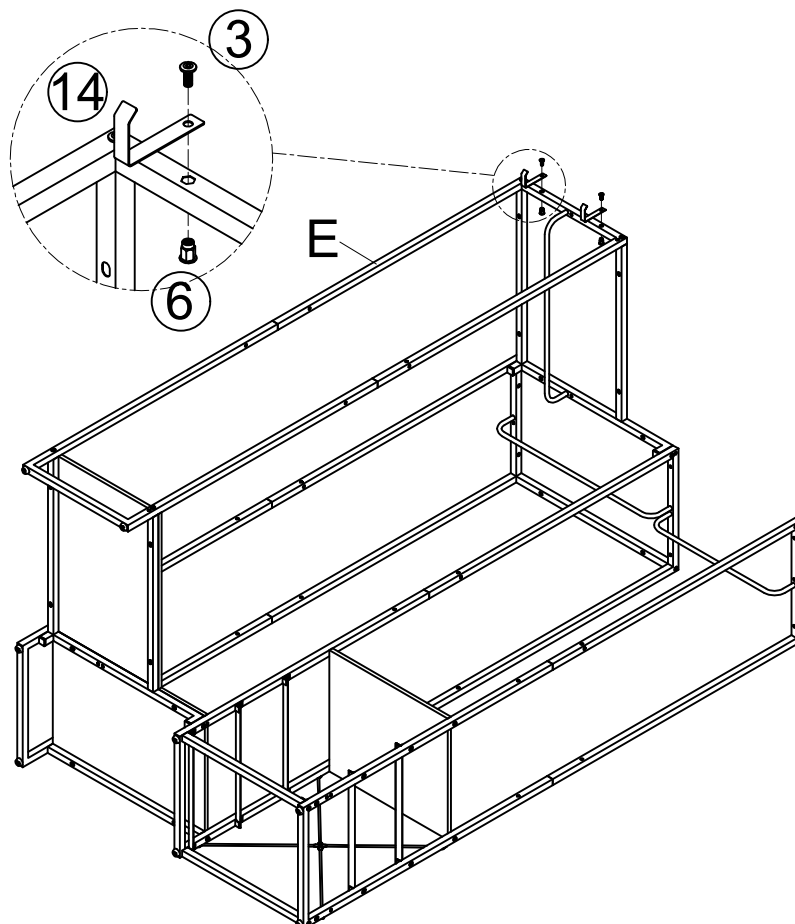
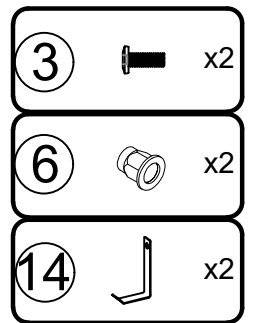
Keep the holes of the Part J toward this direction as shown




**STEP 14**

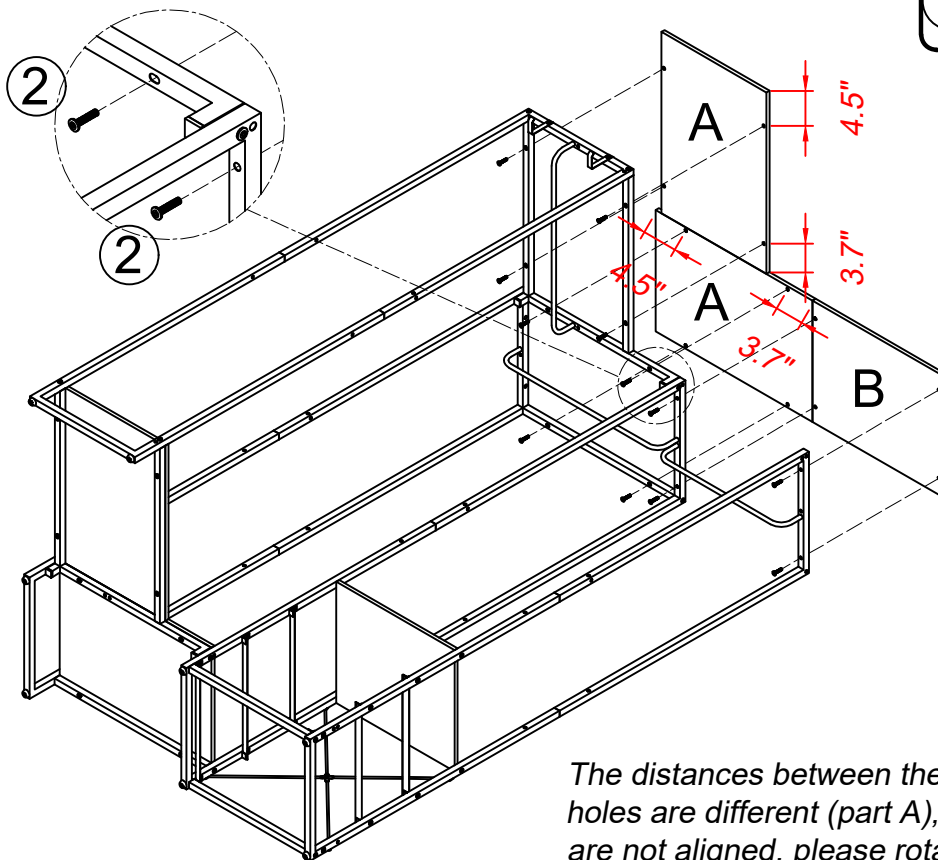


**STEP 15**




**STEP 16**

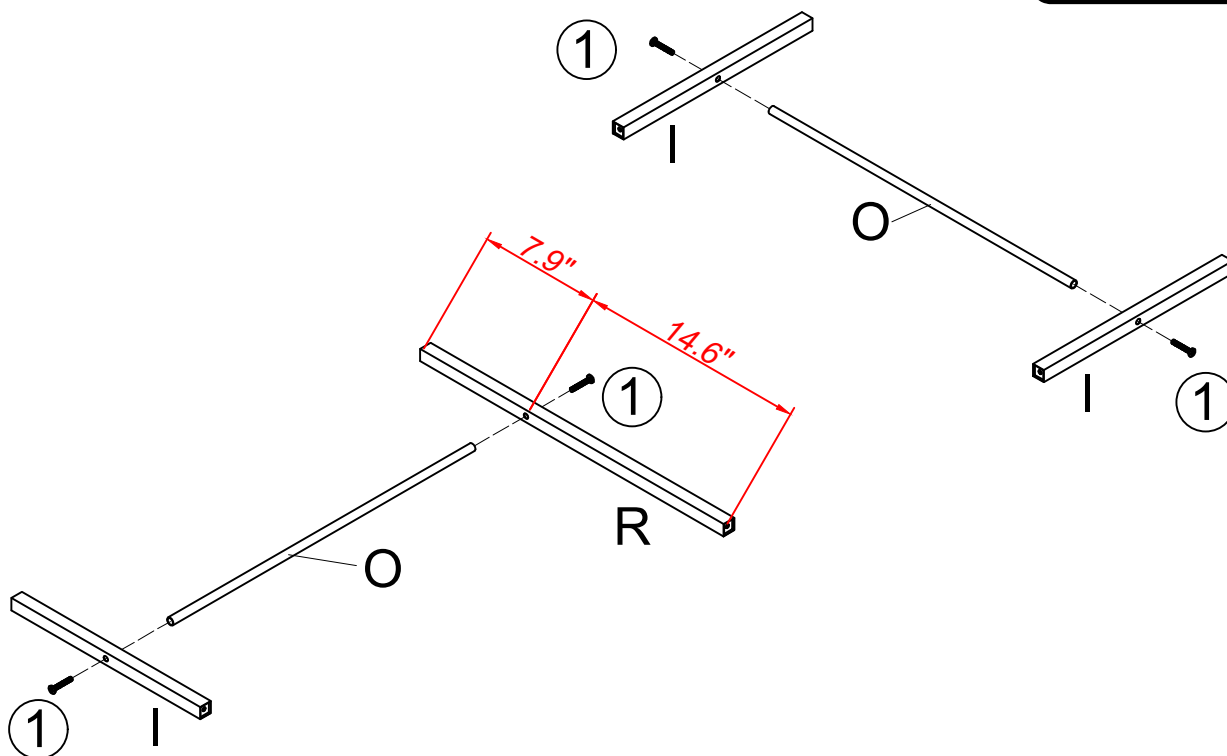
②  x12



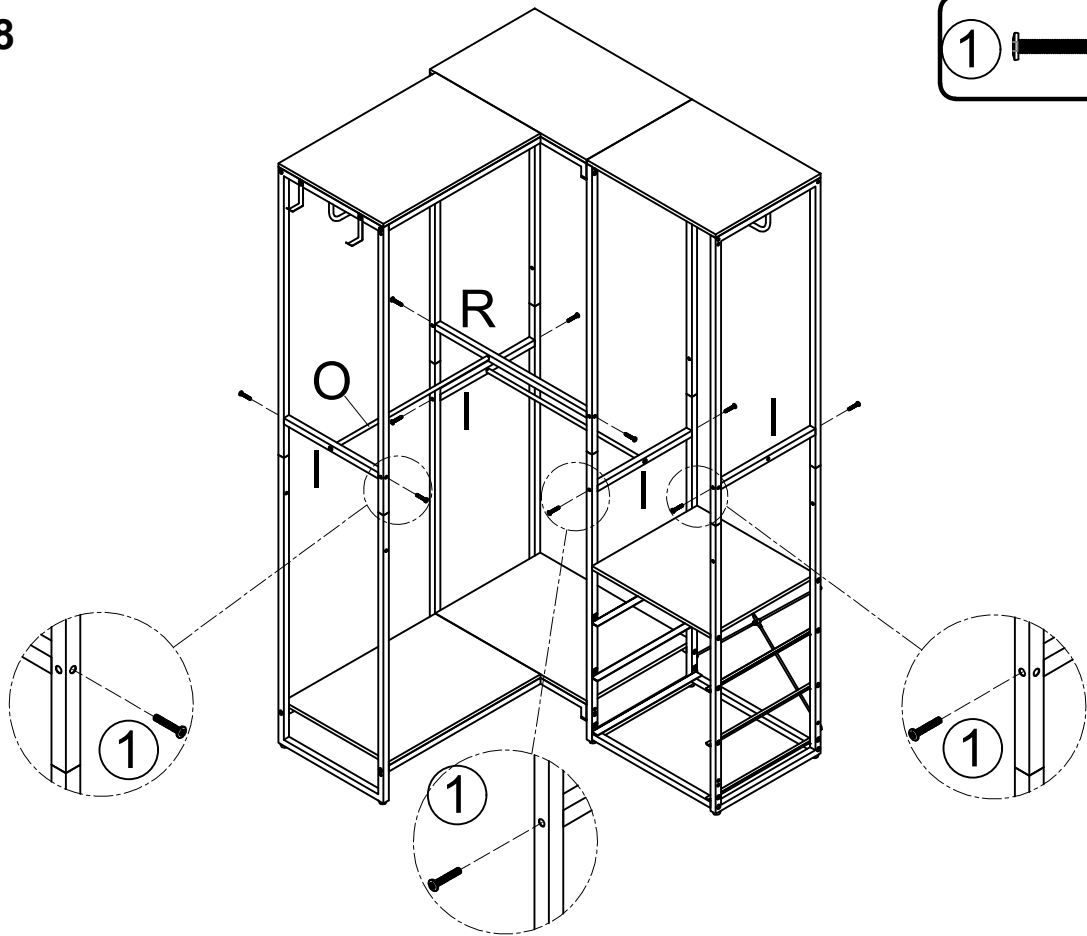
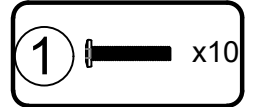
*The distances between the left and right holes are different (part A), if the holes are not aligned, please rotate the board.*

**STEP 17**

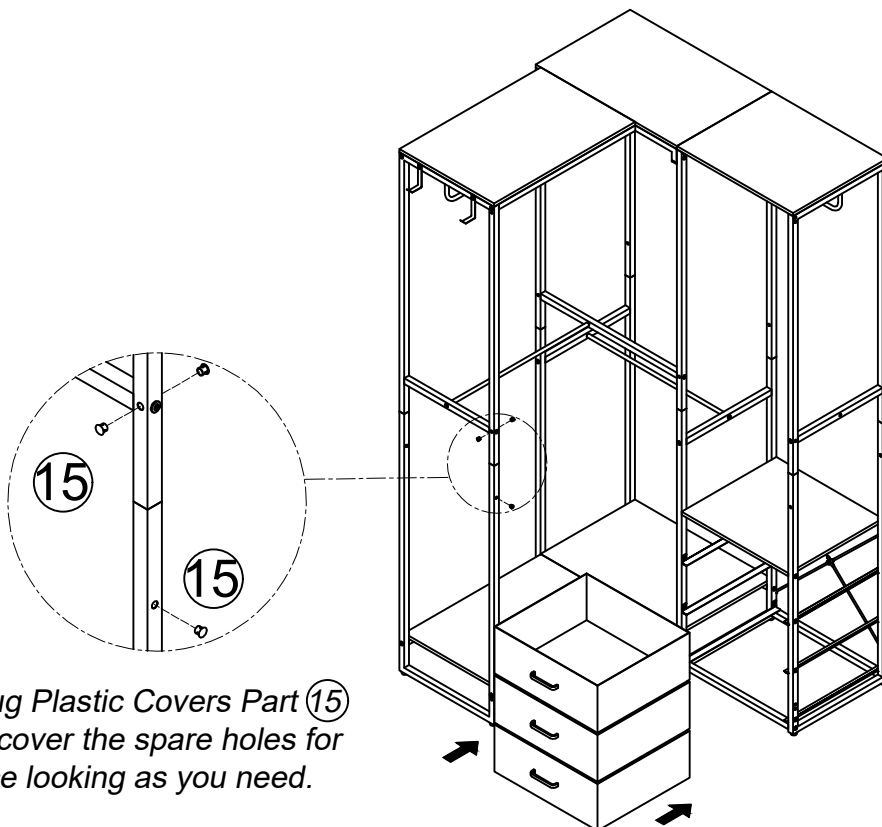
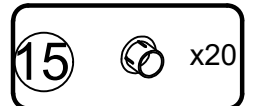
①  x4



**STEP 18**

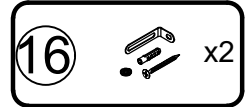


**STEP 19**



Plug Plastic Covers Part 15 to cover the spare holes for nice looking as you need.

## STEP 20



### TIPPING RESTRAINT HARDWARE

**Note:** We have included two Tipping Restraint Hardware set for this Unit. When properly installed, this restraint can provide protection against the unexpected tipping of the Unit due to small tremors, bumps or climbing. We strongly recommend mounting this hardware to a wall stud and your Unit.

**Note:** You must install the Tipping Restraint Hardware with the unit in use to prevent any accidents or damage to the unit.

