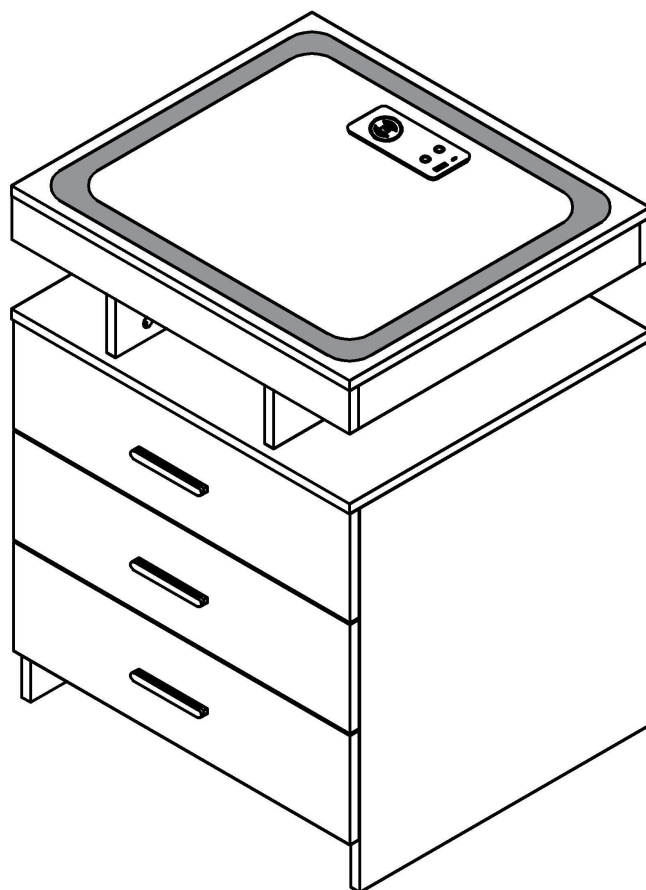
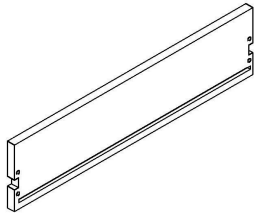
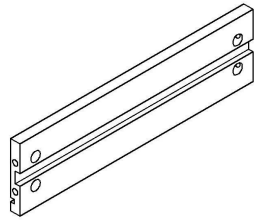


Product Installation Instructions

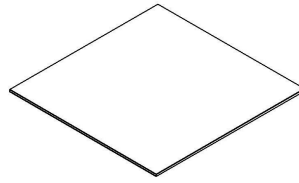




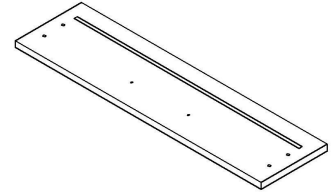
Ax3



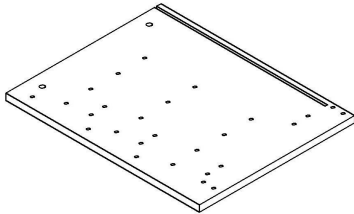
Bx6



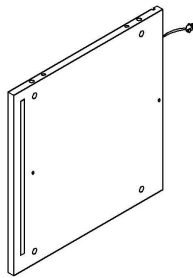
Cx3



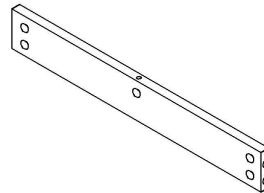
Dx3



Ex1



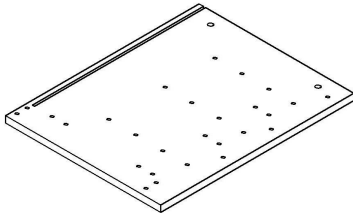
Fx1



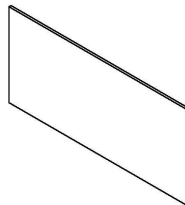
Gx2



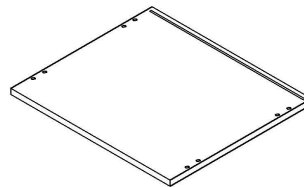
Hx2



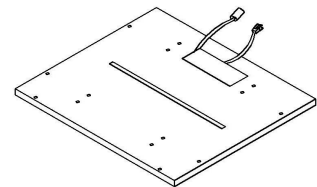
Ix1



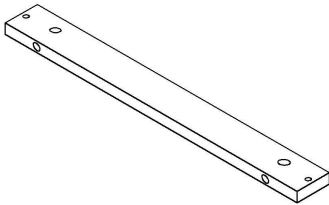
Jx2



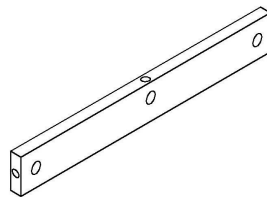
Kx1



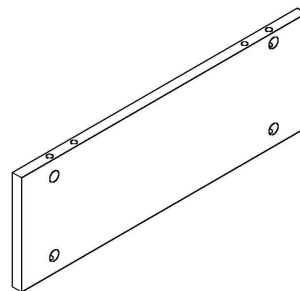
Lx1



Mx2



Nx2

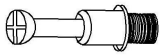


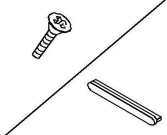
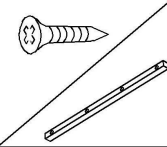


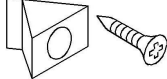
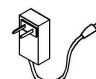


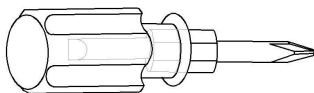
Ox2



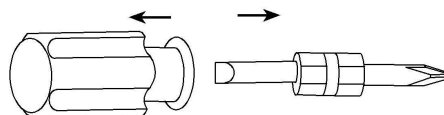
1

Accessories list

①		Two In One Screw (6x28mm)	68pcs +4pcs
②		Two In One Nut (10x12mm)	68pcs +4pcs
③		Wood Chipping (6x30mm)	16pcs +2pcs
④		Screw & Handle (4x16mm)	6pcs +2pcs 3pcs
⑤		Rubber strip guide & Screw (4x16mm)	24pcs +2pcs 6pcs
⑥		Non-slip pads	4pcs +2pcs
⑦		Iron bar	6pcs +1pcs
⑧		Back Plate Buckle & Screw (3x16mm)	4pcs +2pcs
		AC/DC Adapter (12V=3.0A)	1pcs

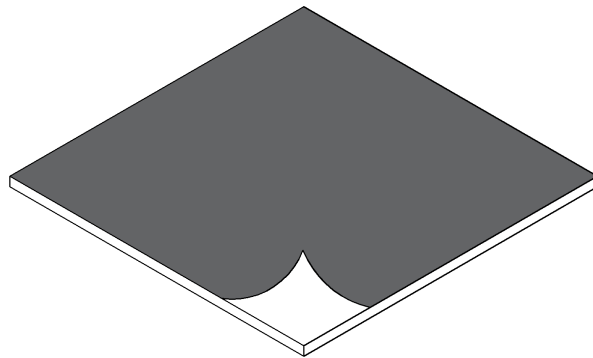


1pcs



Double-head screwdriver, use as required

2



The plates used in this product are bright plates,

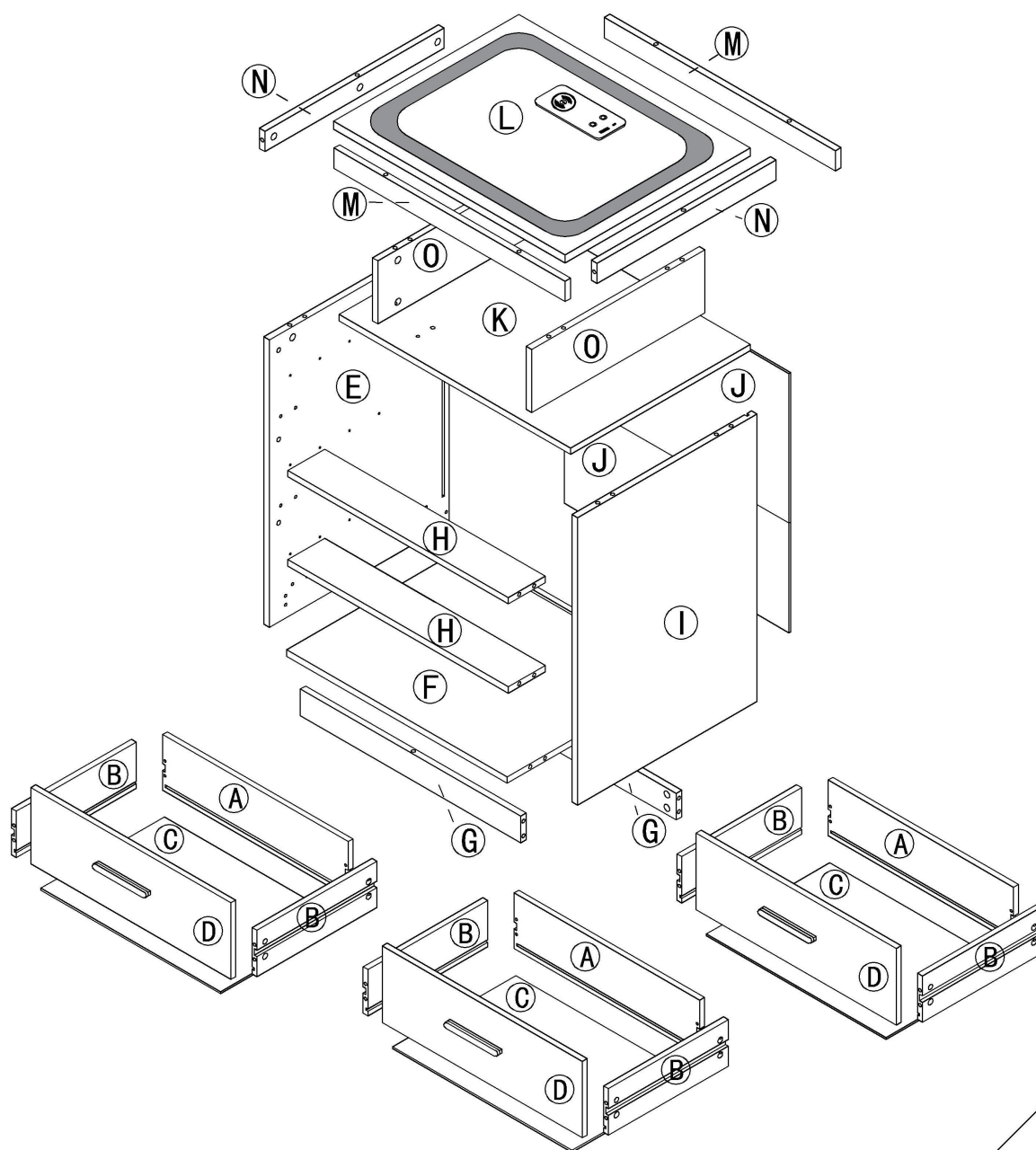
With a transparent protective film

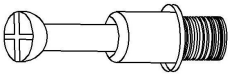



The function of the protective film is prevent the product from being scratched during transportation

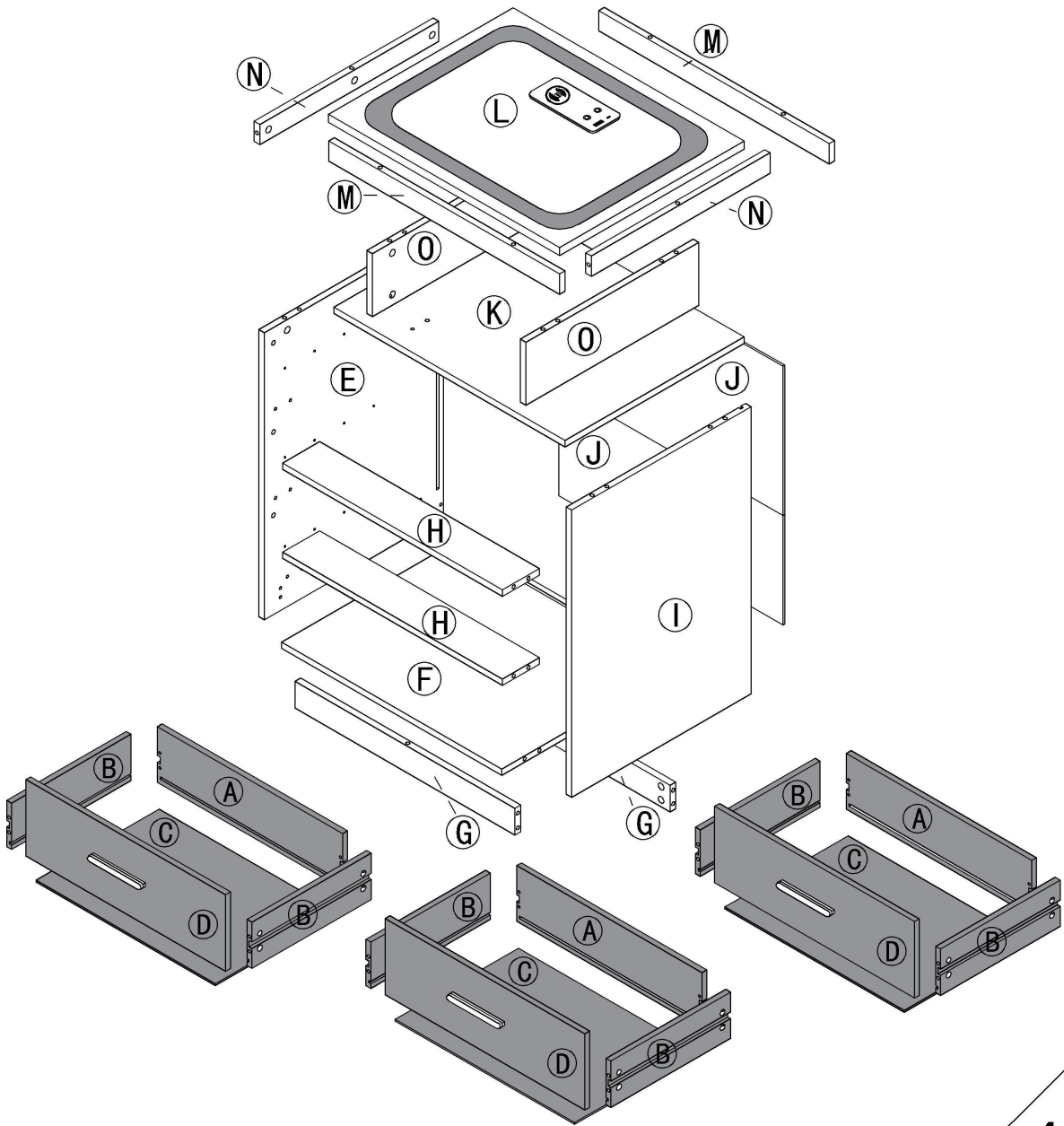
Please remove the protective film before installing the product,

Avoid difficult removal of the protective film after installation

Product structure decomposition

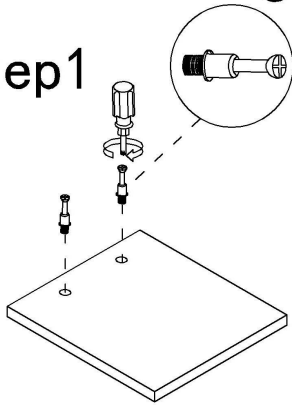


<p>1</p>		<p>24pcs</p>	<p>4</p>	 <p>6pcs</p>	 <p>3pcs</p>
<p>2</p>		<p>24pcs</p>			

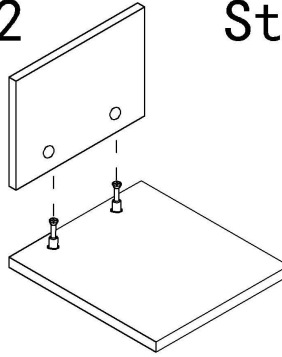


Use parts ① and ②

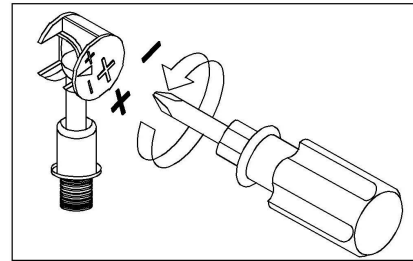
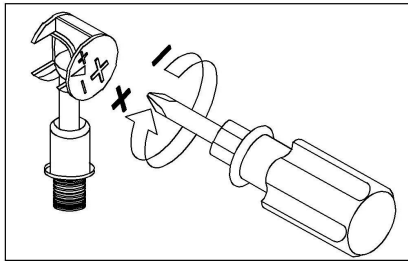
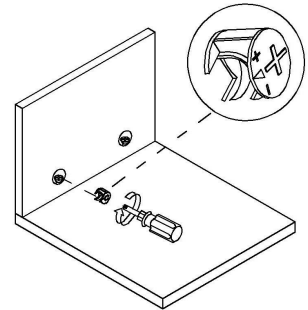
Step1



Step2



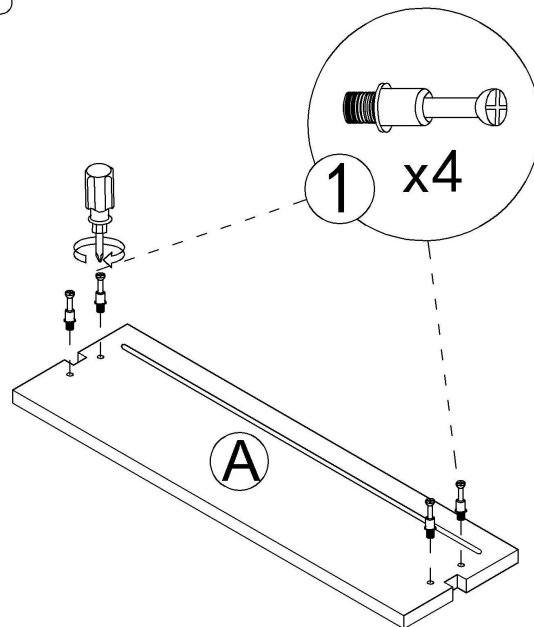
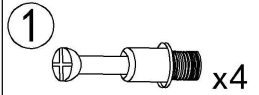
Step3



Use a screwdriver to lock in the direction of the "+" sign

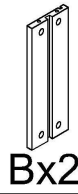
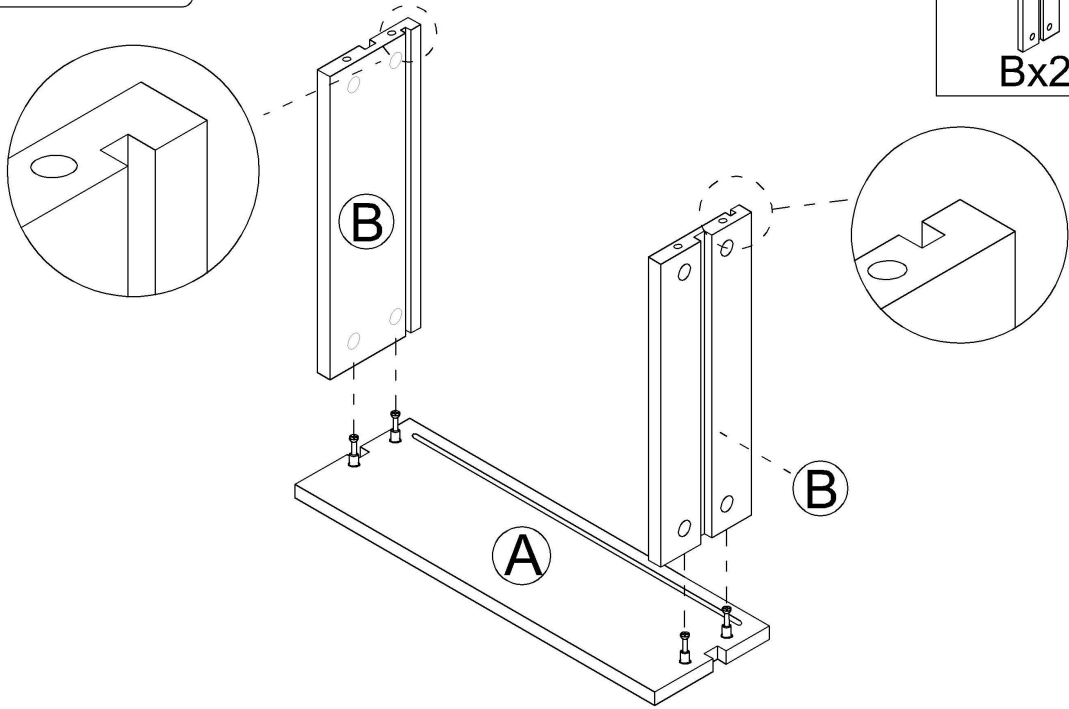
Disassemble along the direction of "-" sign

Step 1

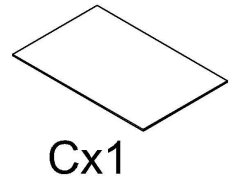
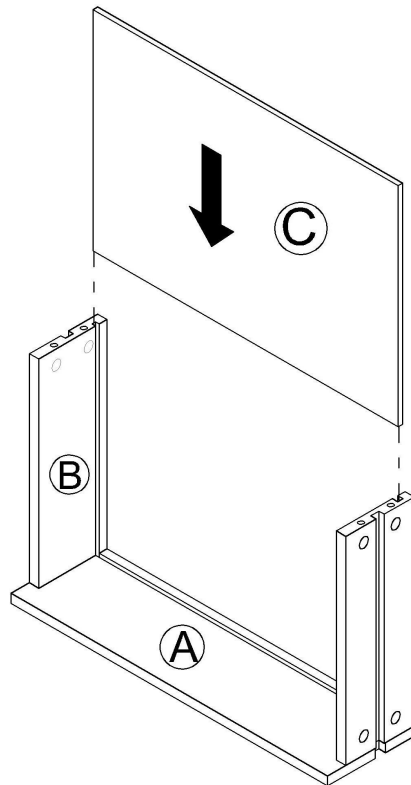


5

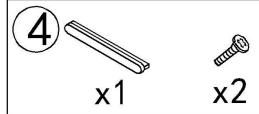
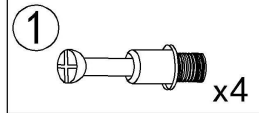
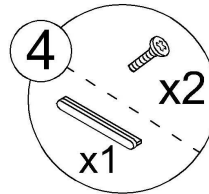
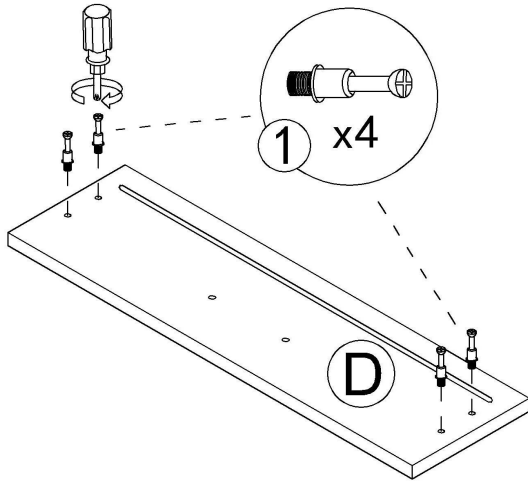
Step 2



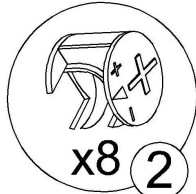
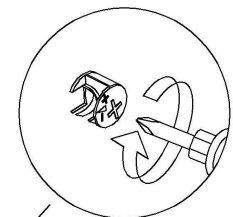
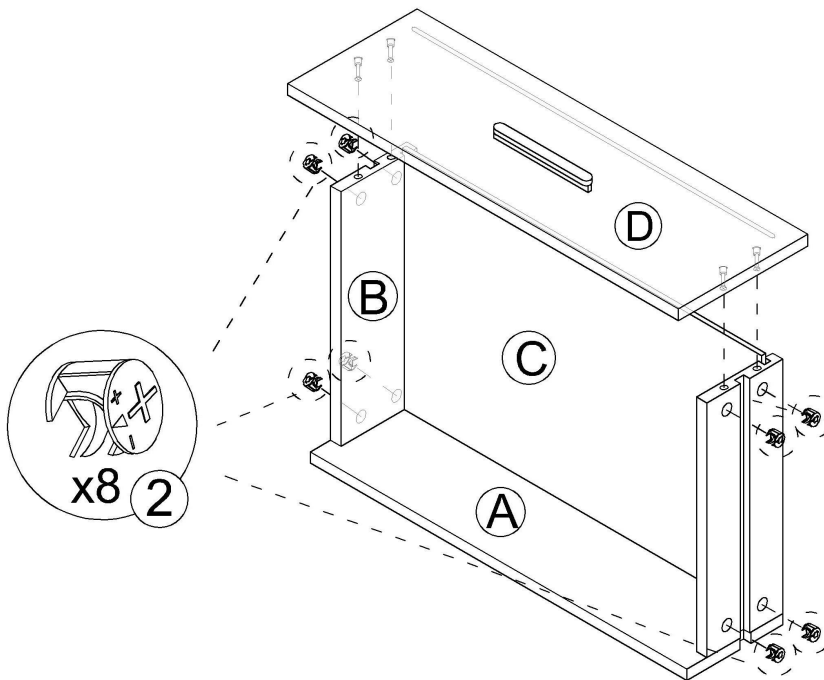
Step 3



Step 4

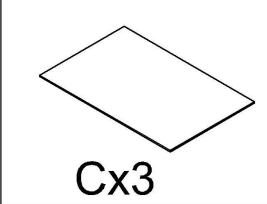
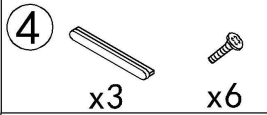
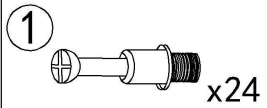
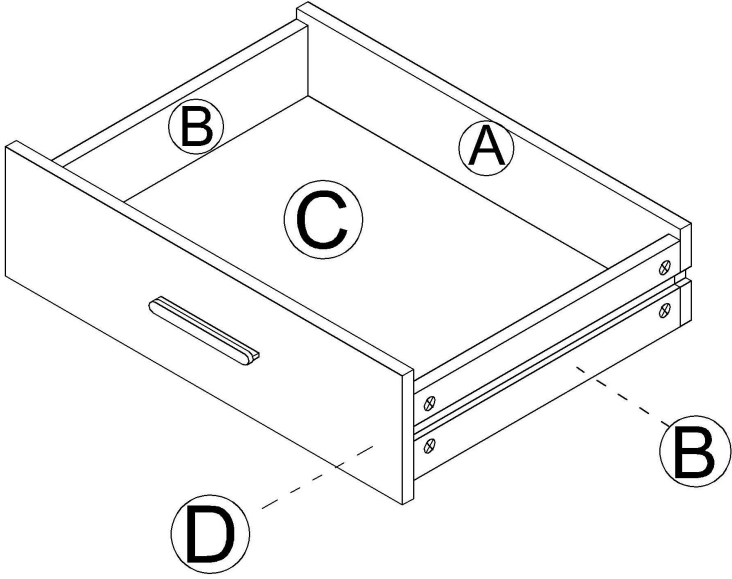


Step 5

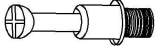



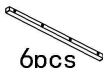


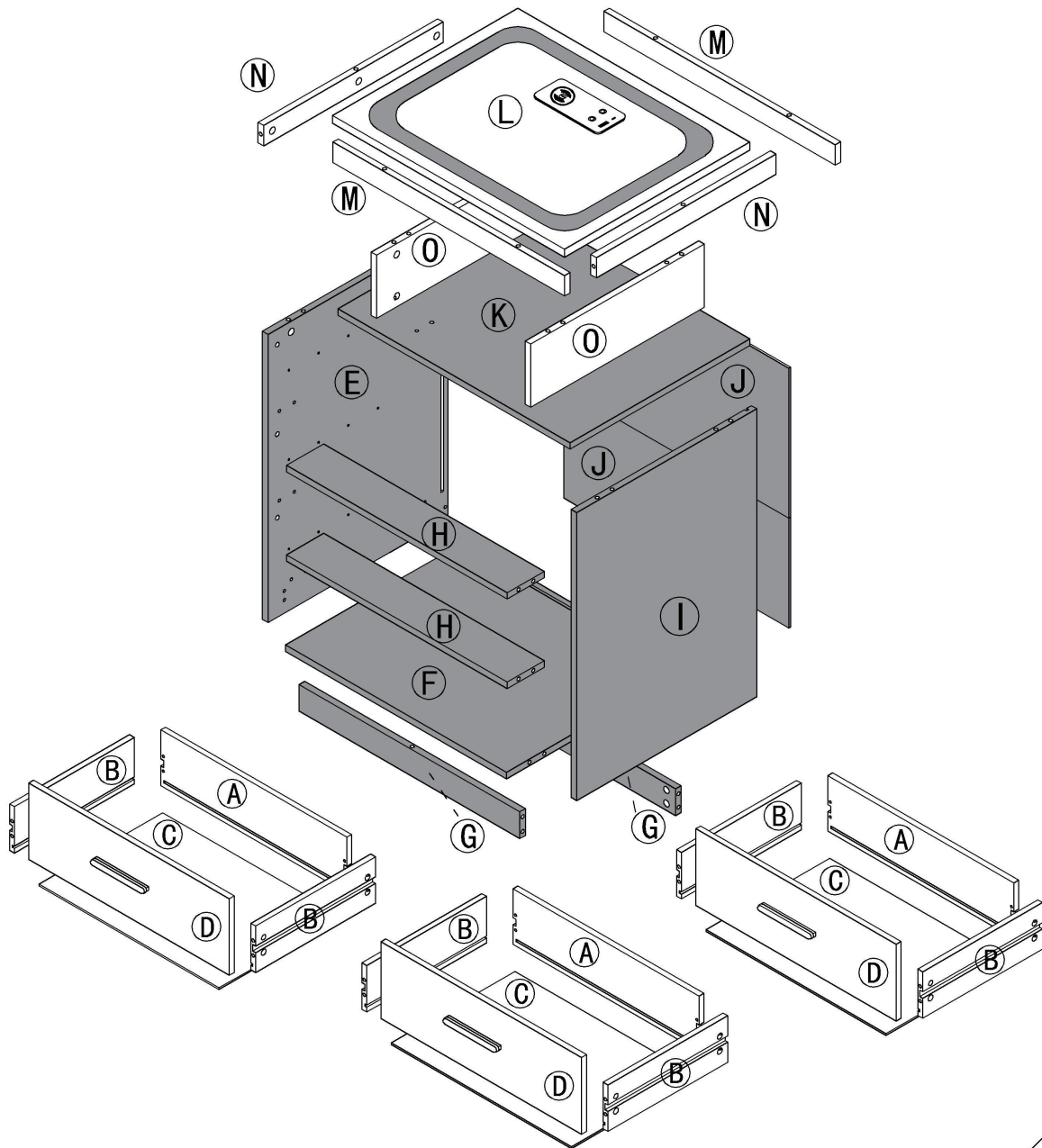
Step 6

x3

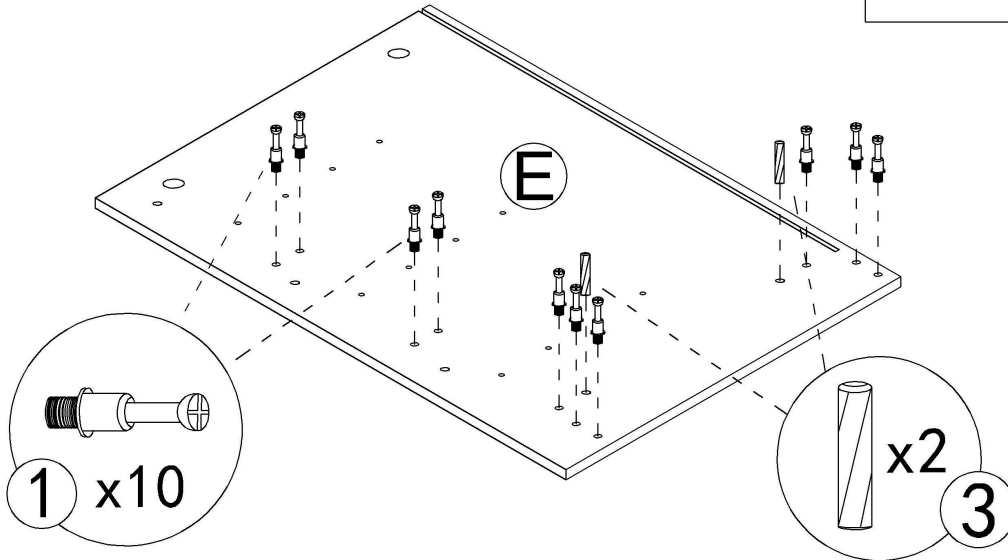
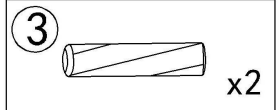
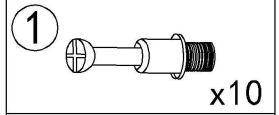


Repeat the drawer installation steps

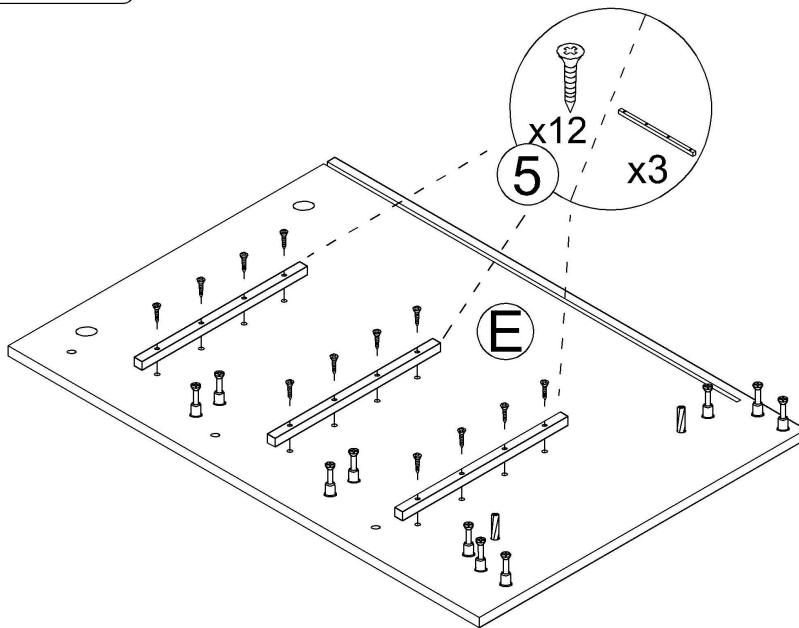
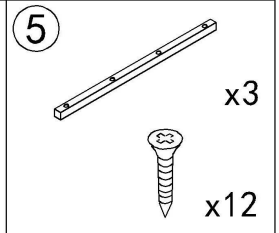
①		26pcs	③		8pcs	⑥		4pcs
②		26pcs	⑤		6pcs			



Step 7



Step 8

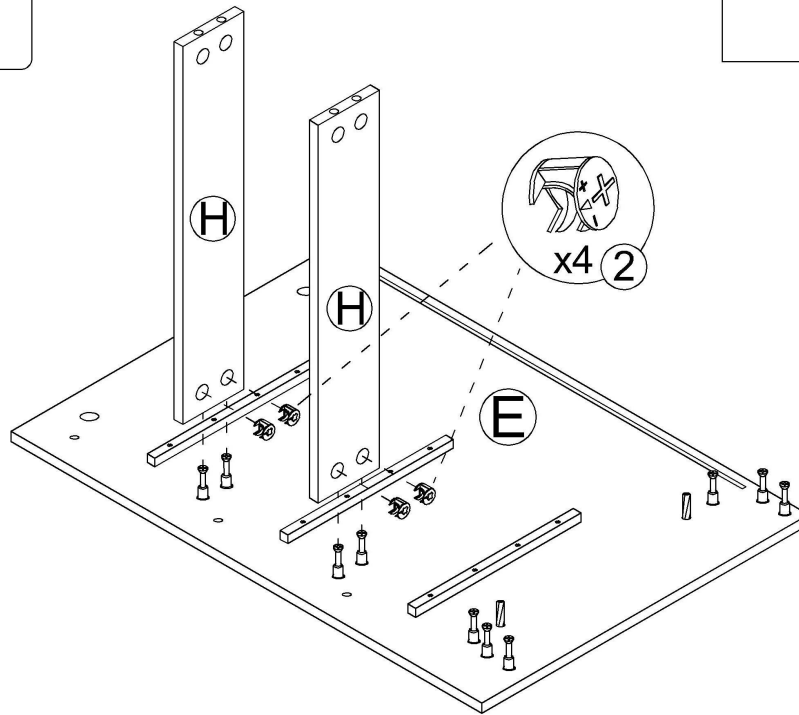


Step 9

2

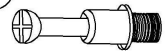


x4

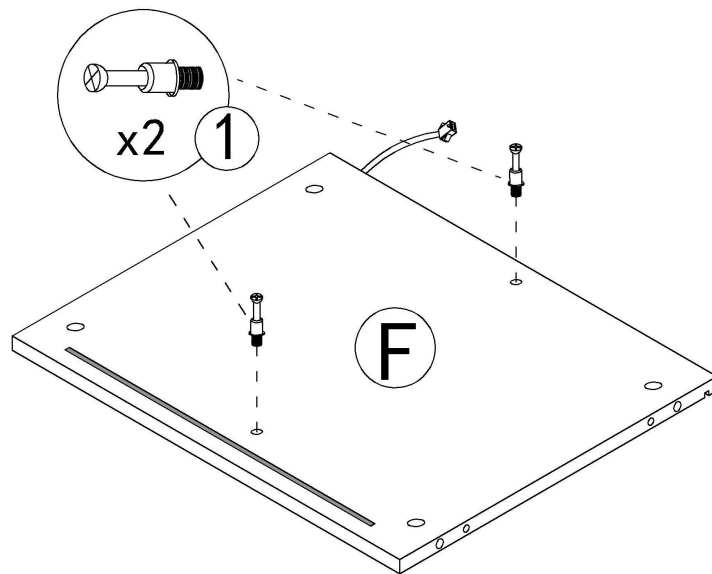


Step 10

1

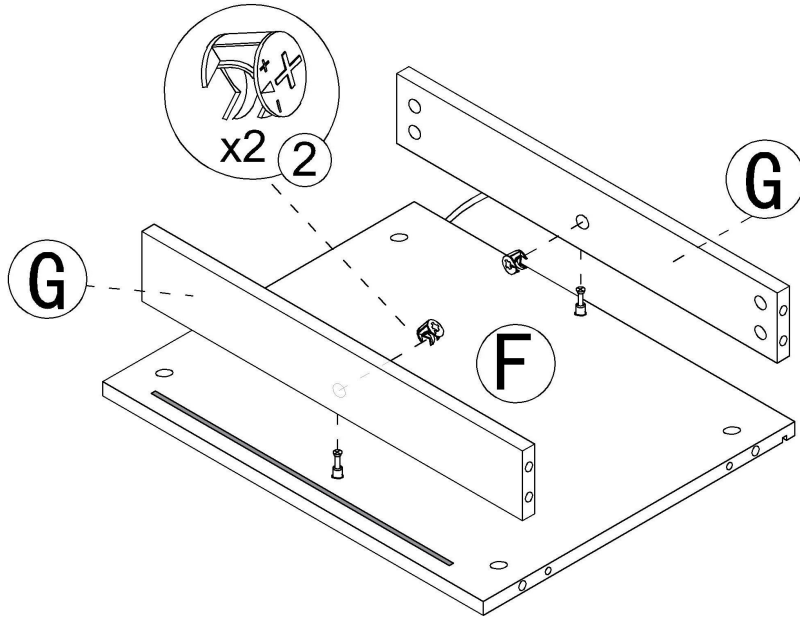


x2



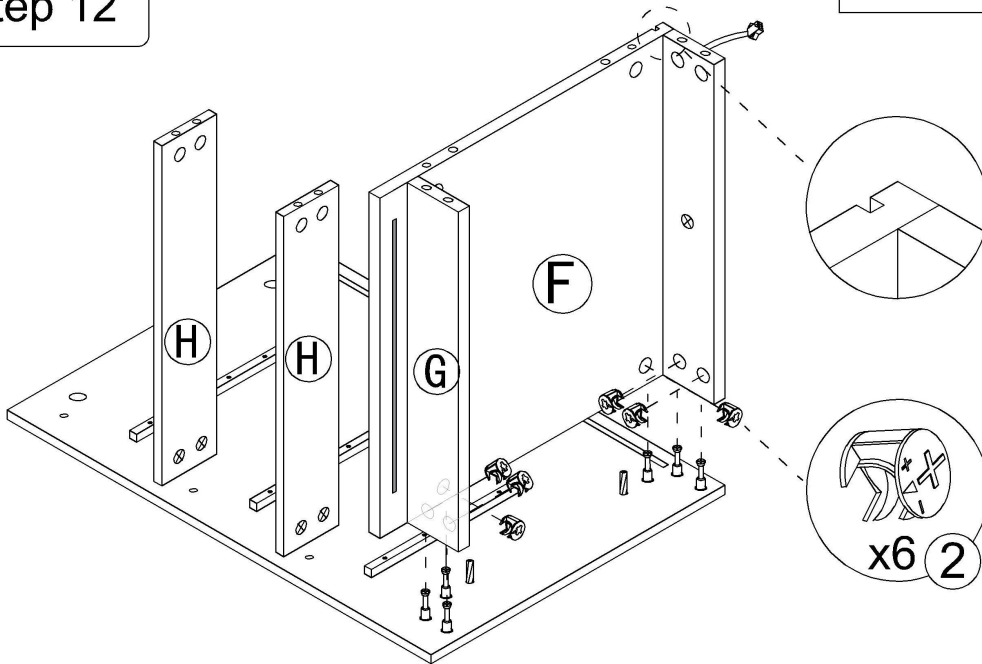
Step 11

2  x2



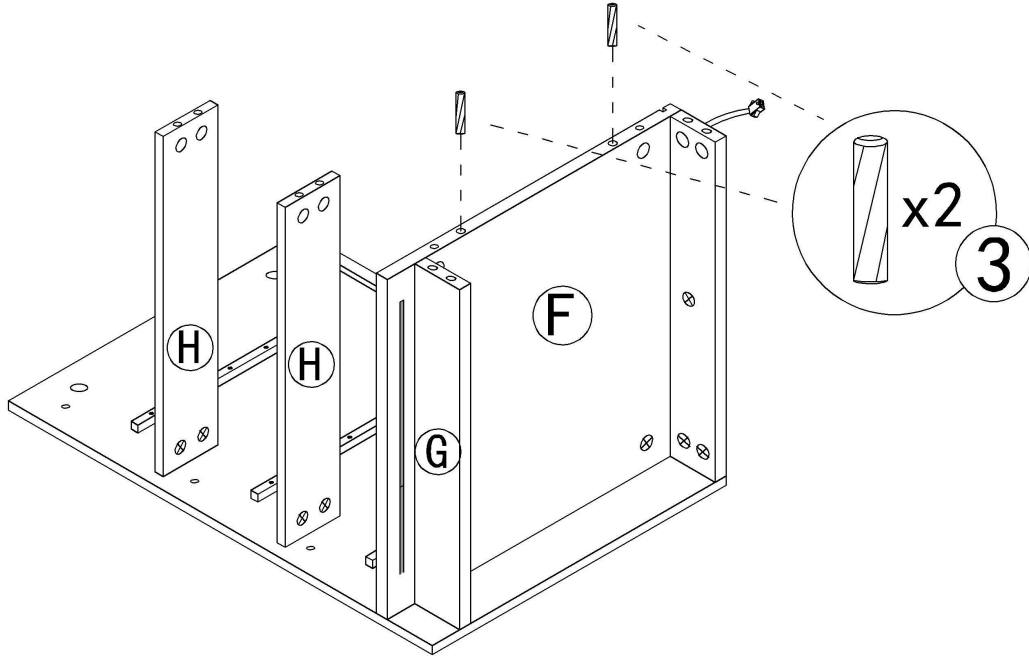
Step 12

2  x6



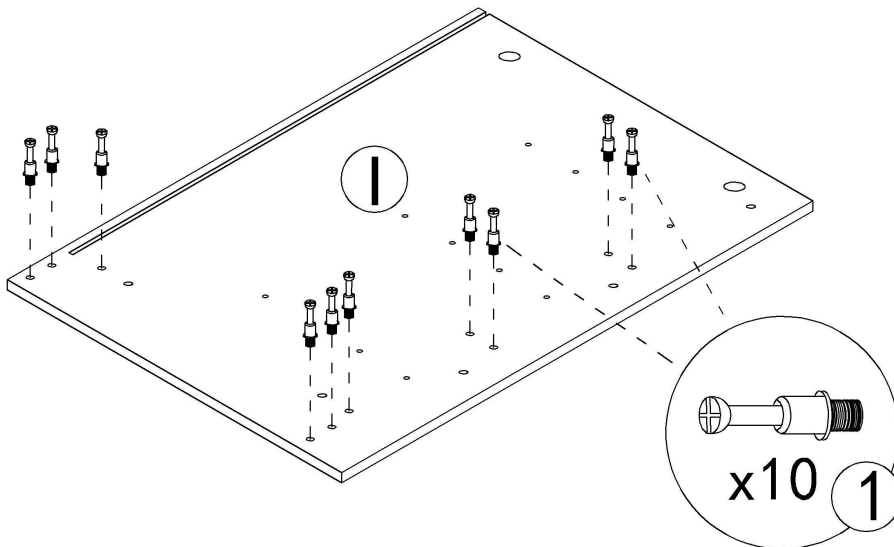
Step 13

3 x2

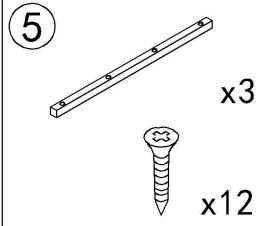
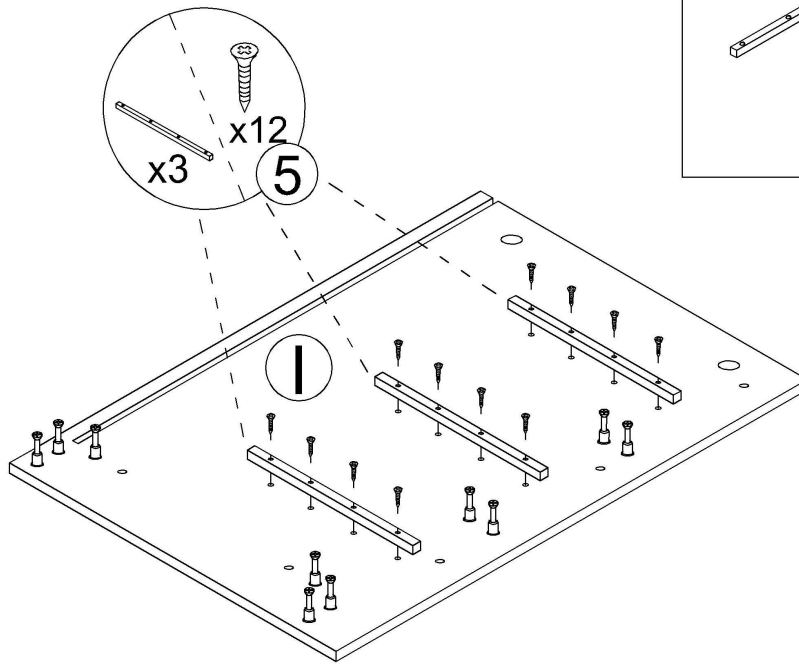


Step 14

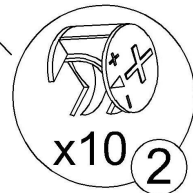
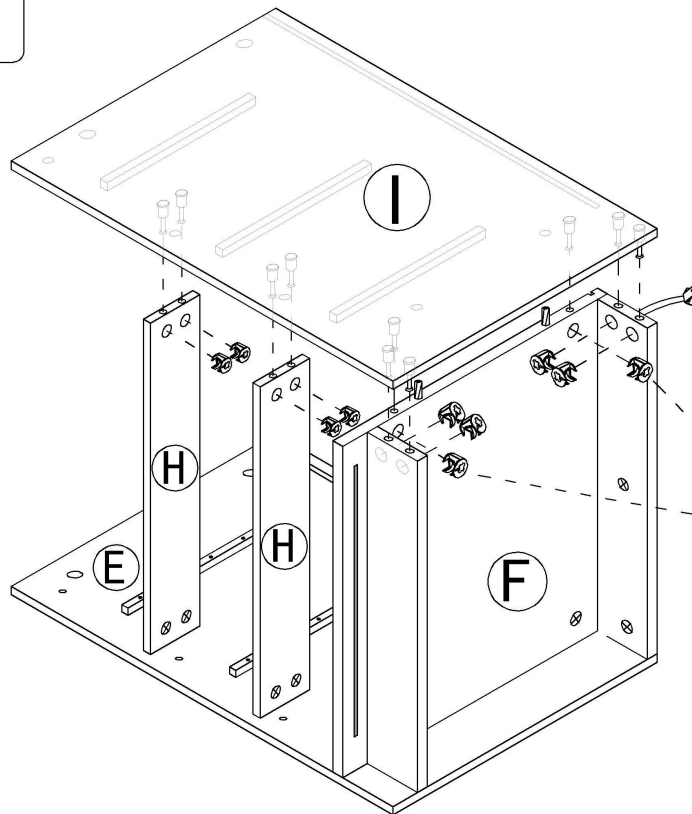
1 x10



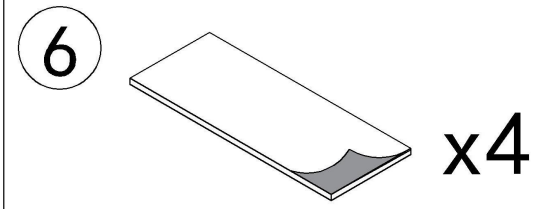
Step 15



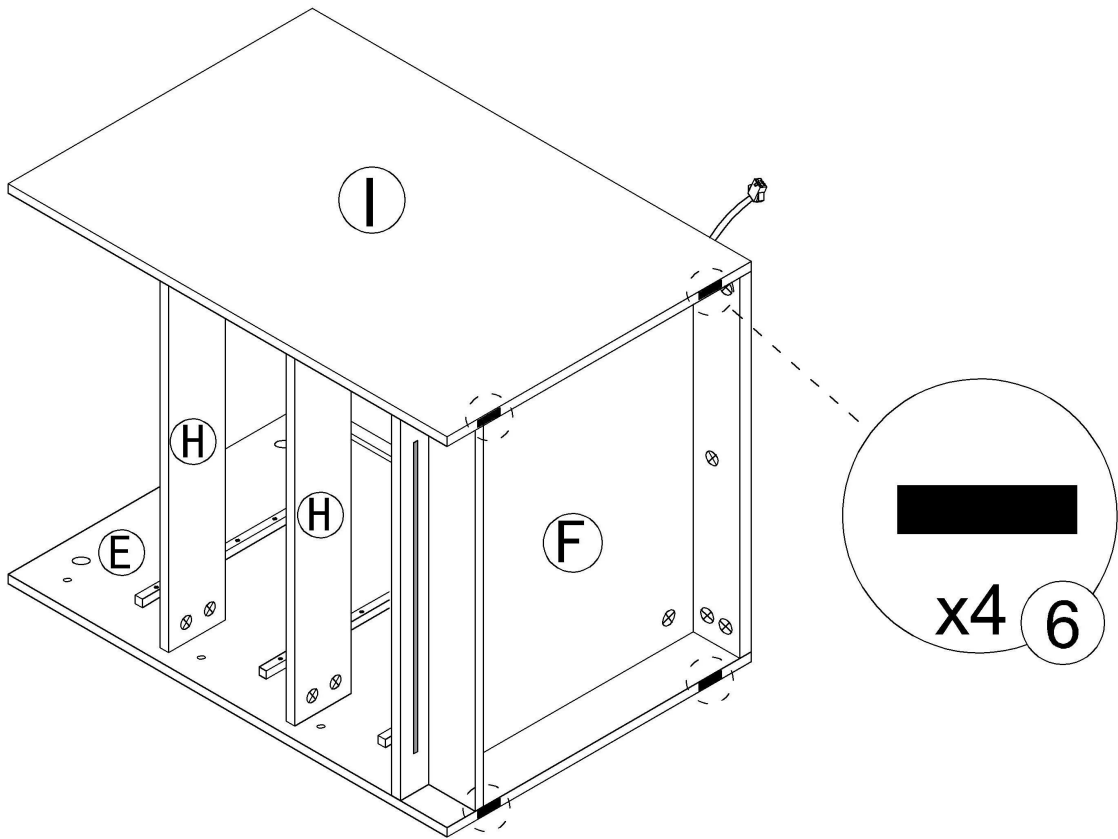
Step 16



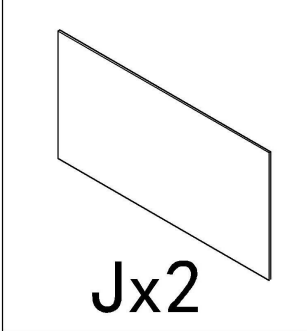
Step 17



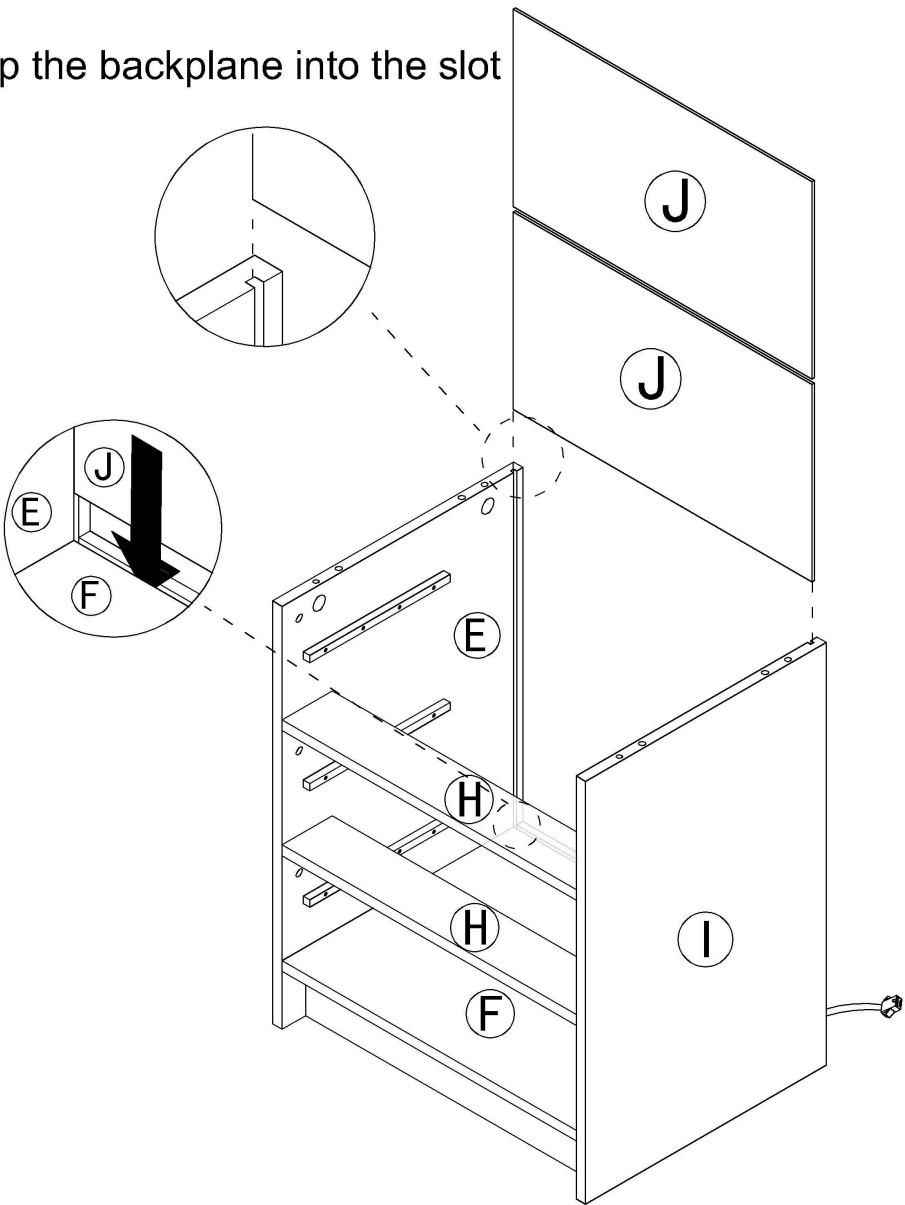
Tear off release paper and stick the black foot pad on the board



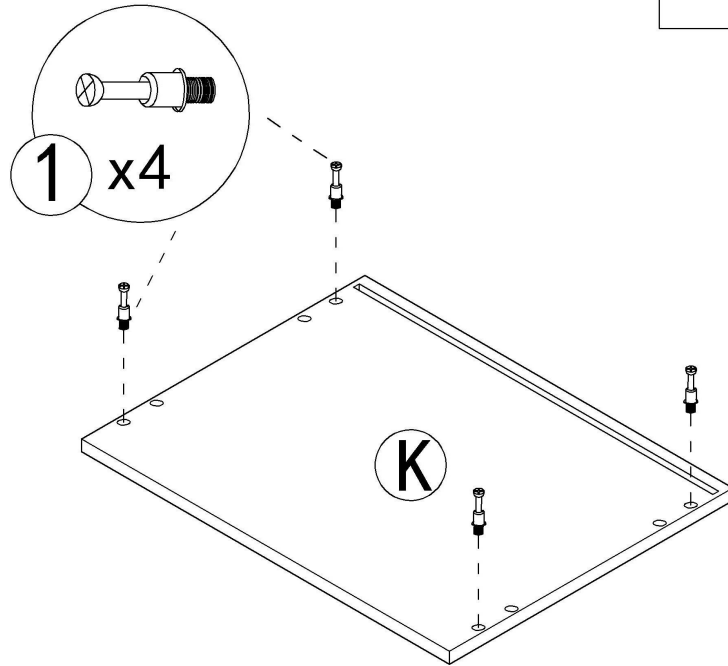
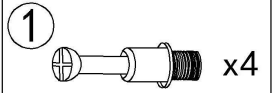
Step 18



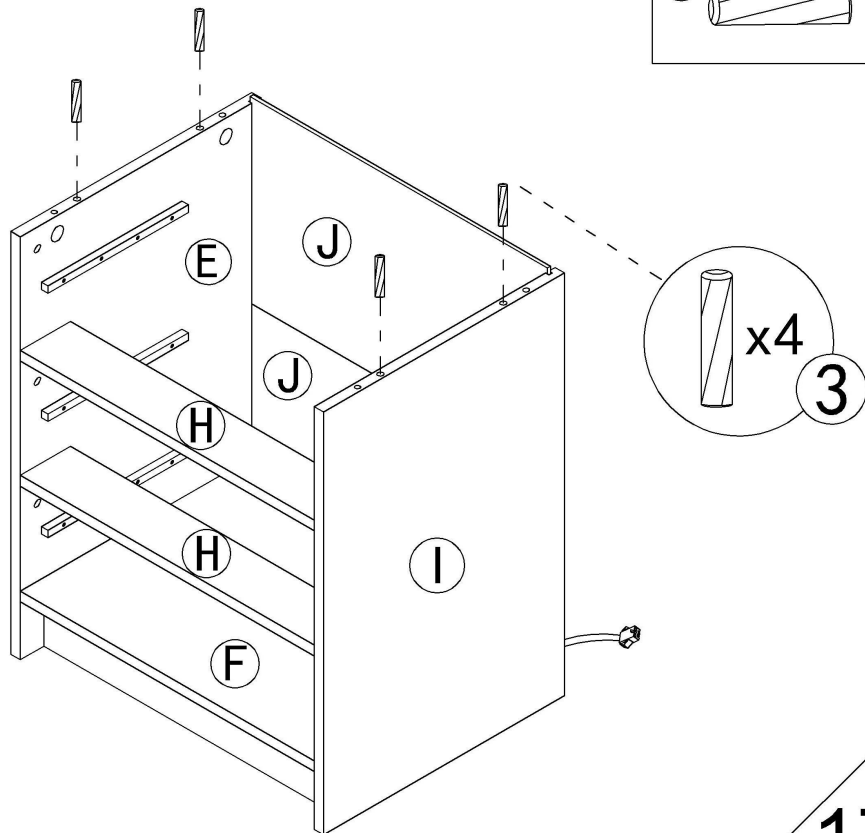
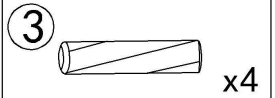
Snap the backplane into the slot



Step 19

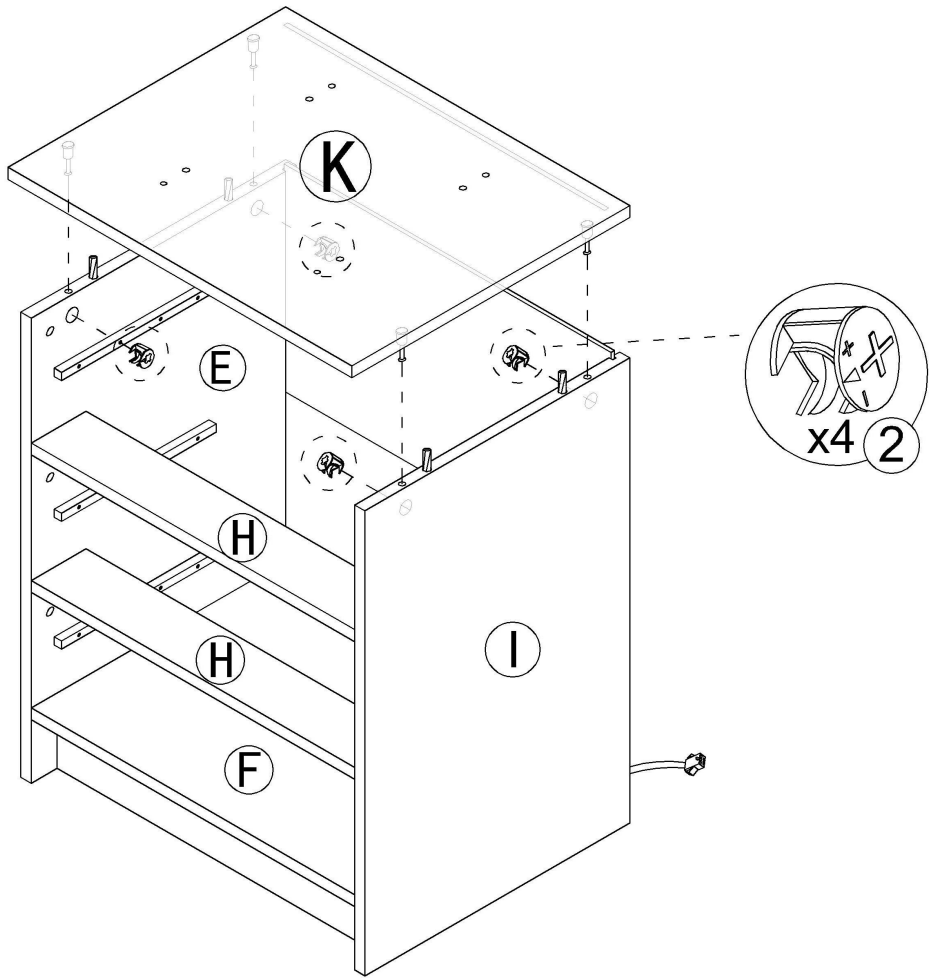


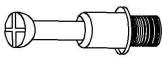

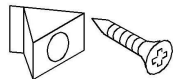

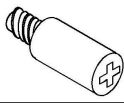
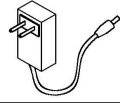
Step 20

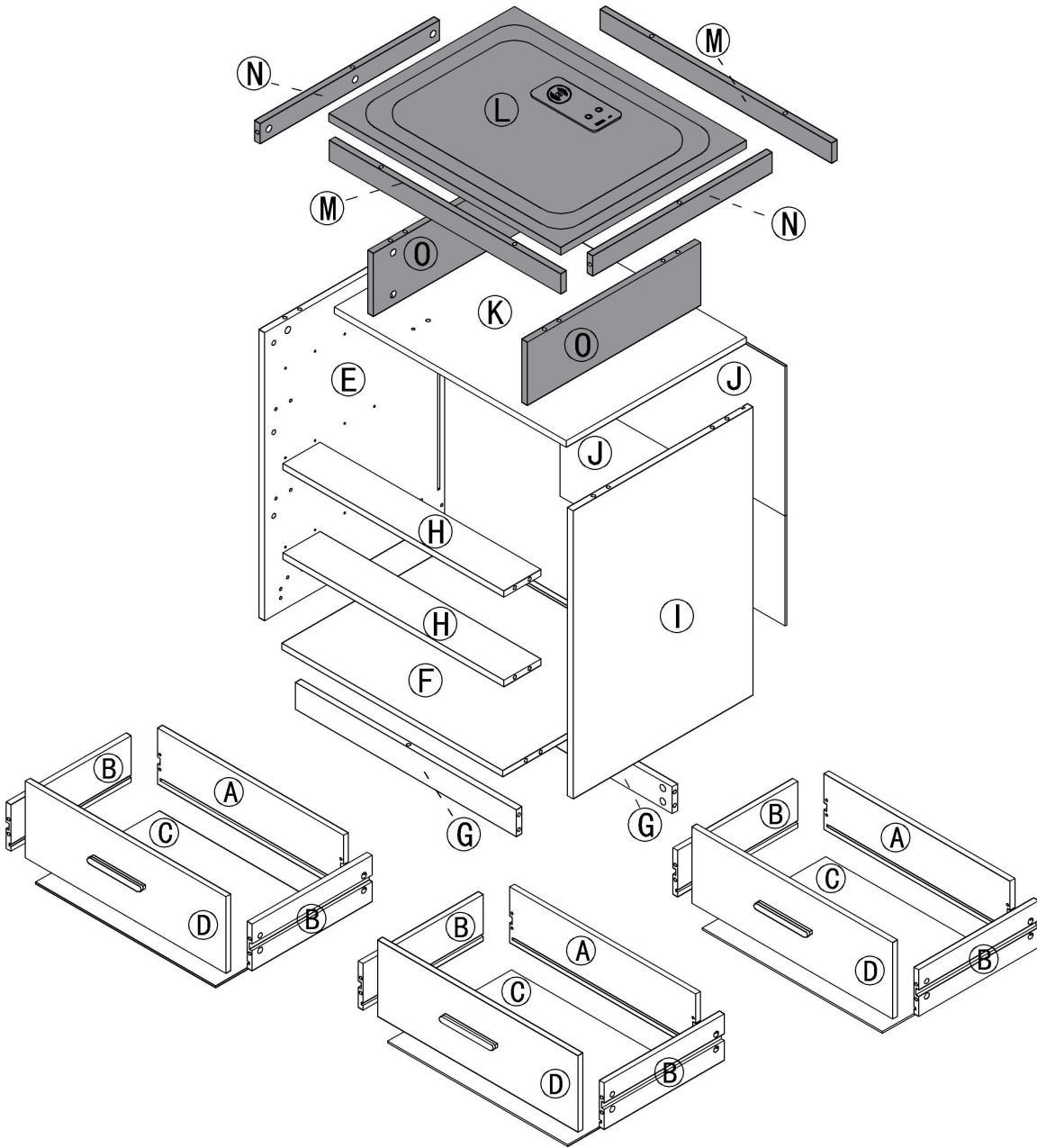


Step 21

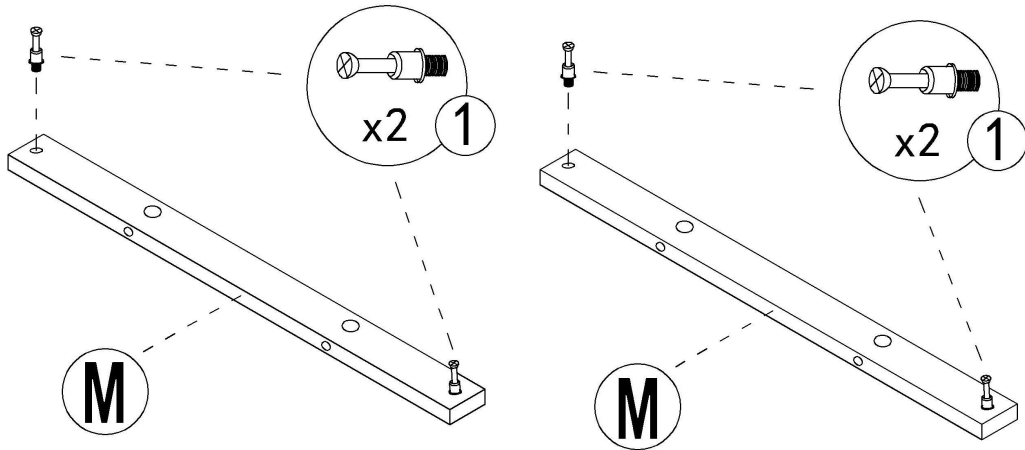
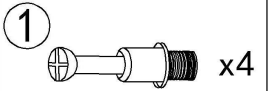
2  x4



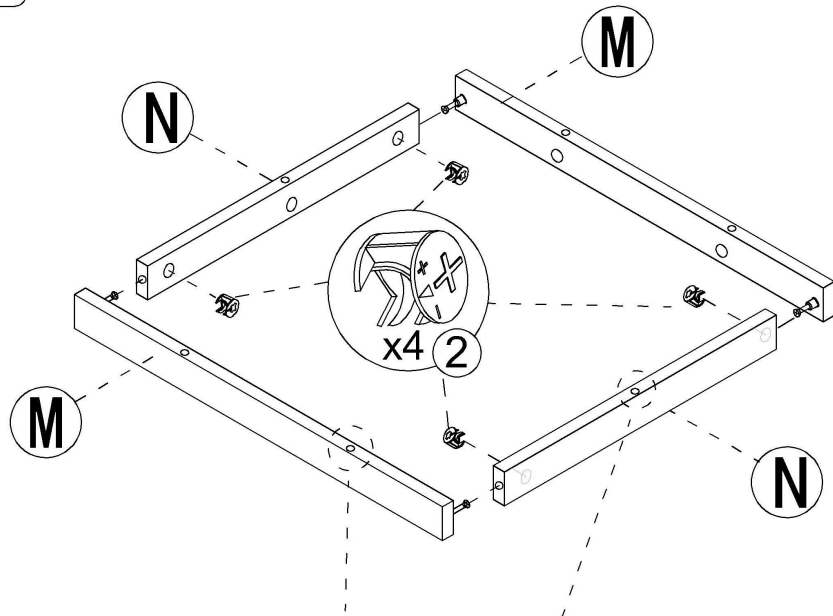
①		18pcs	③		8pcs	⑧		4pcs
②		18pcs	⑦		6pcs			1pcs



Step 22

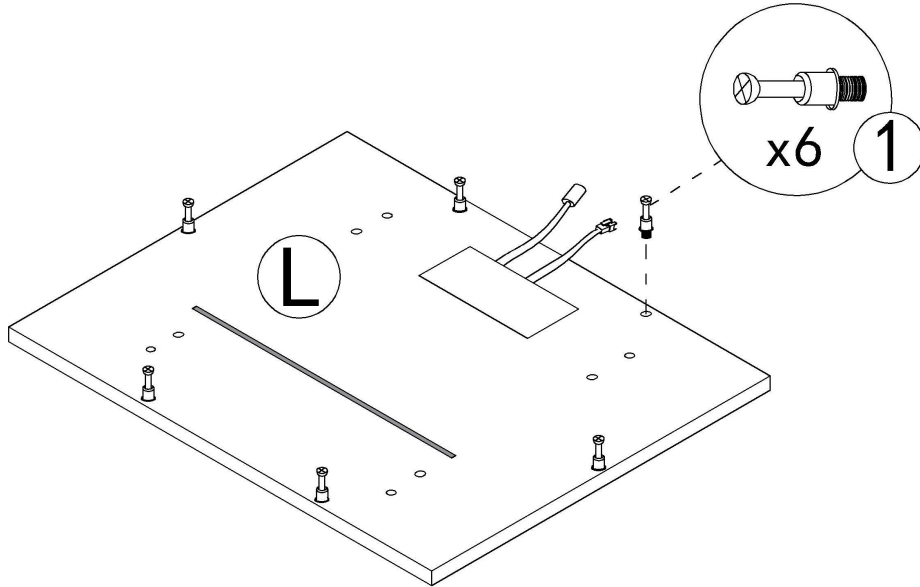
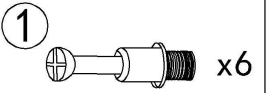


Step 23

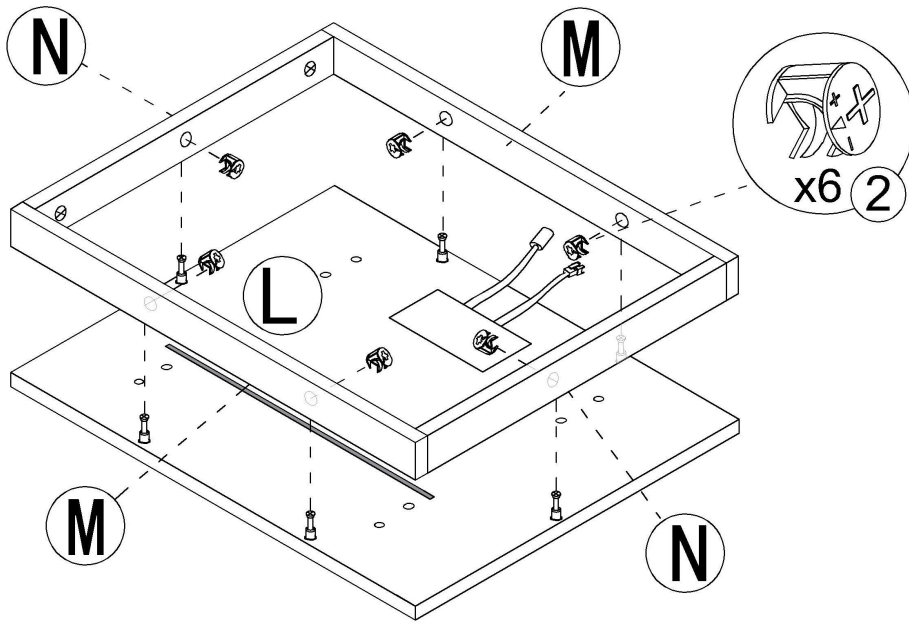


Pay attention to the hole position

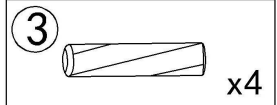
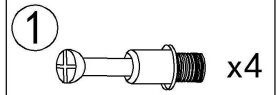
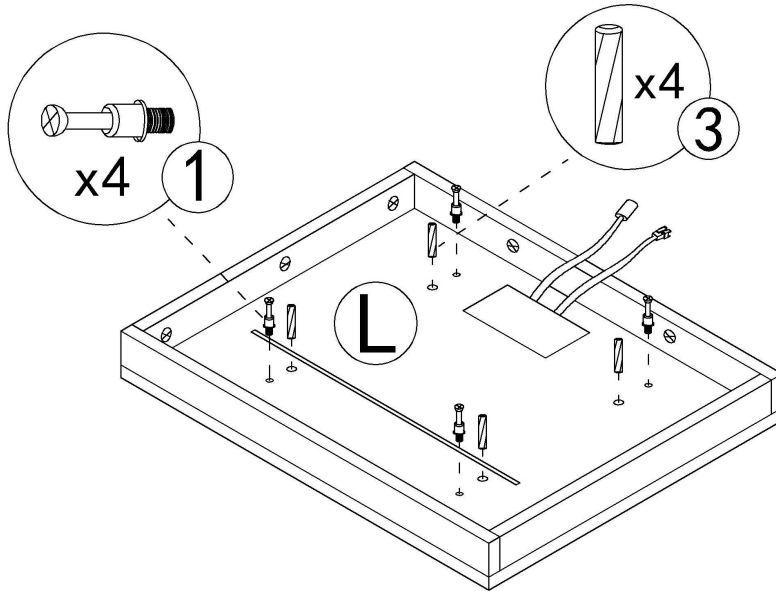
Step 24



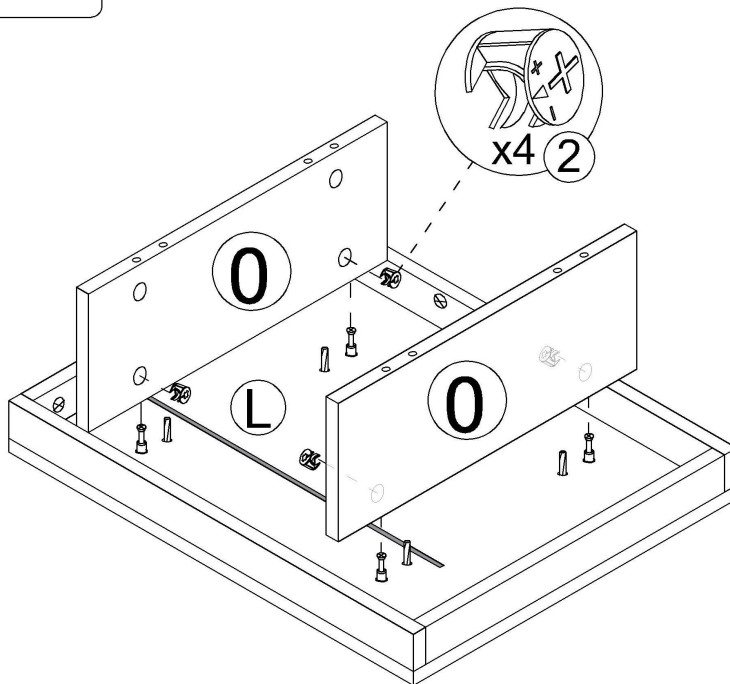
Step 25



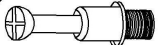
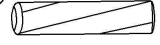
Step 26

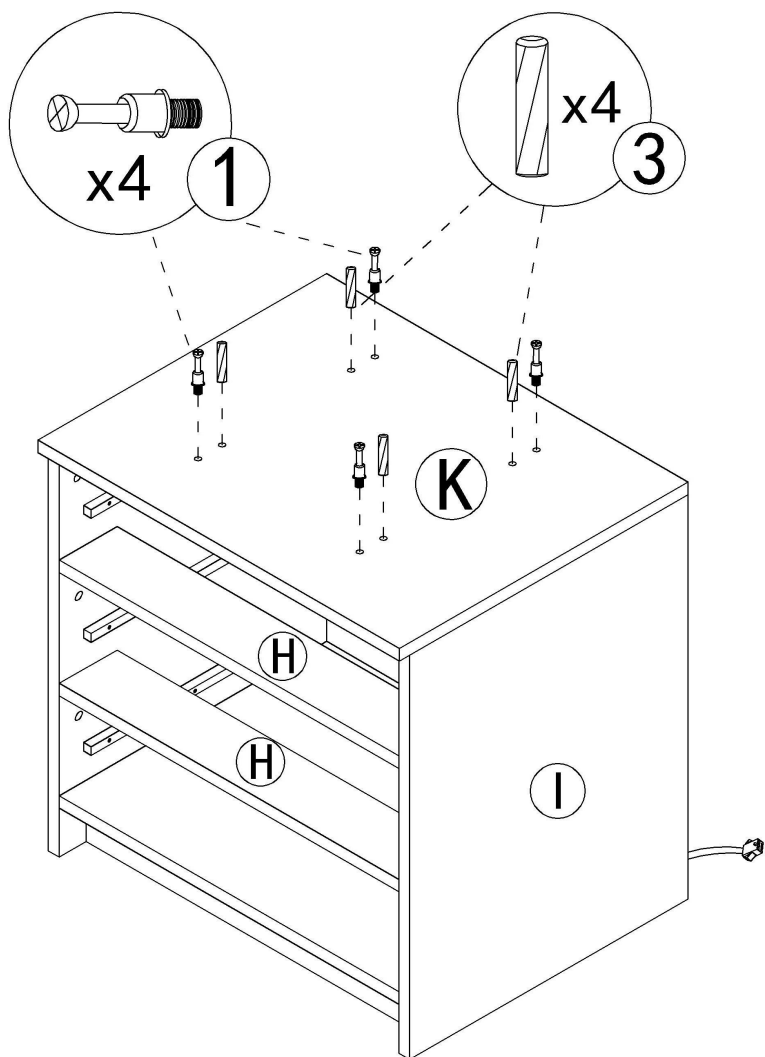


Step 27



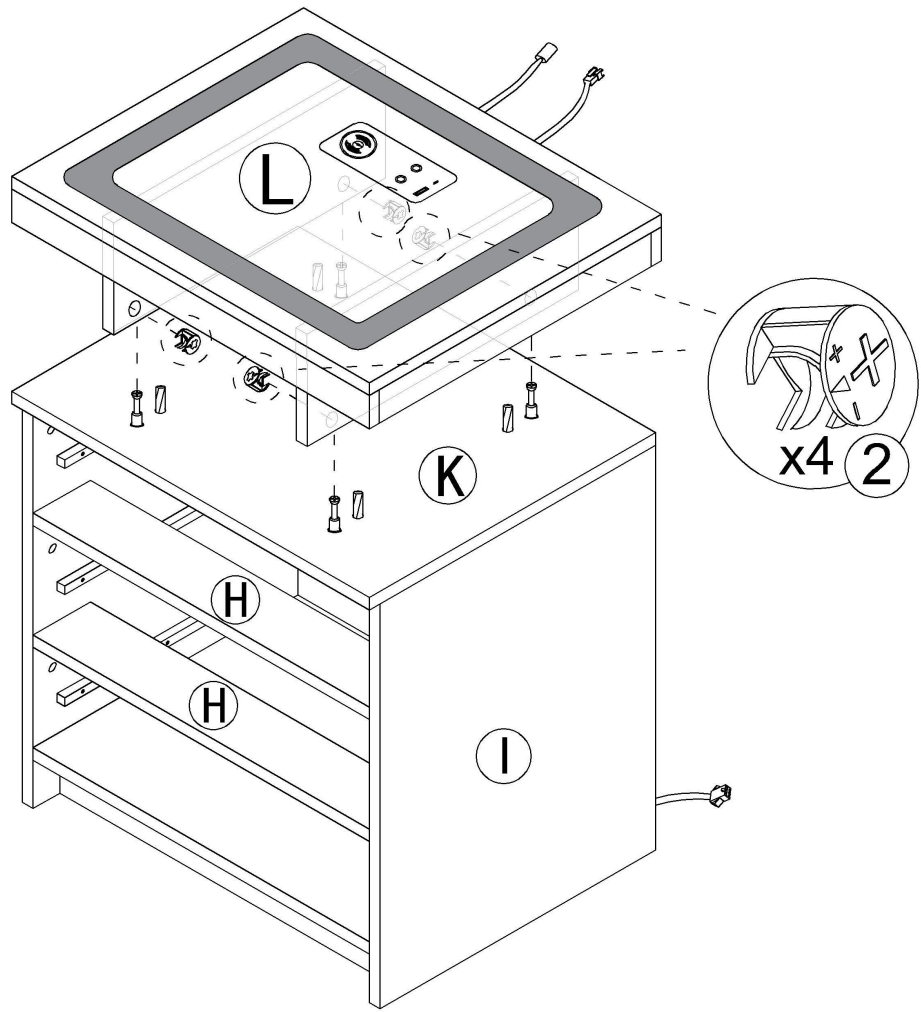
Step 28

- ①  x4
- ③  x4

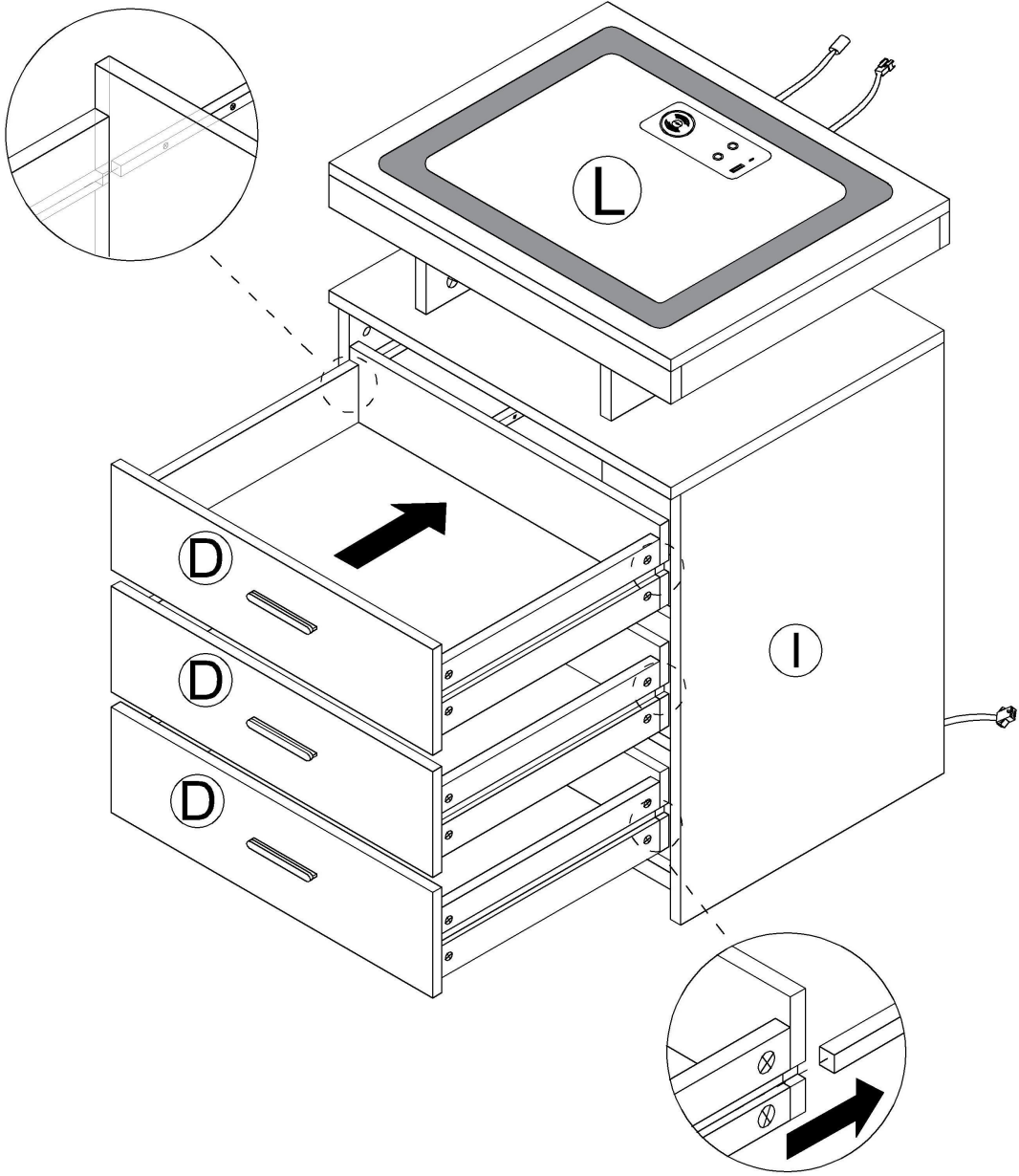


Step 29

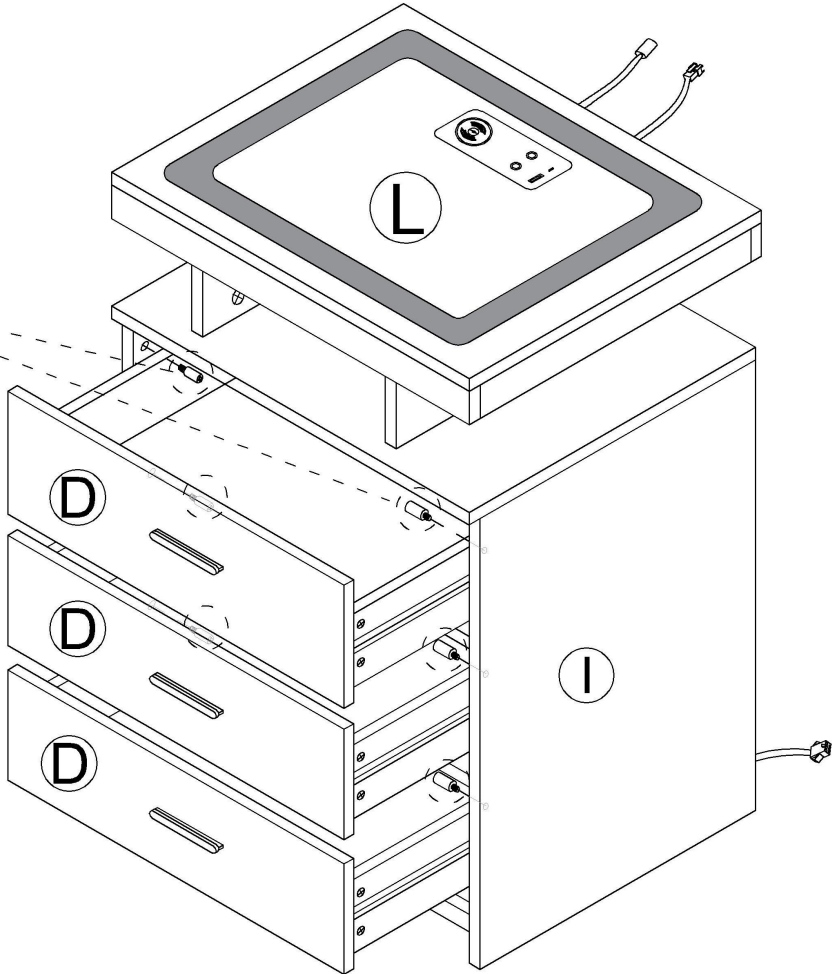
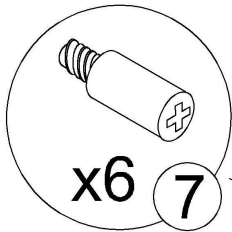
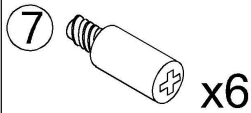
2  x4



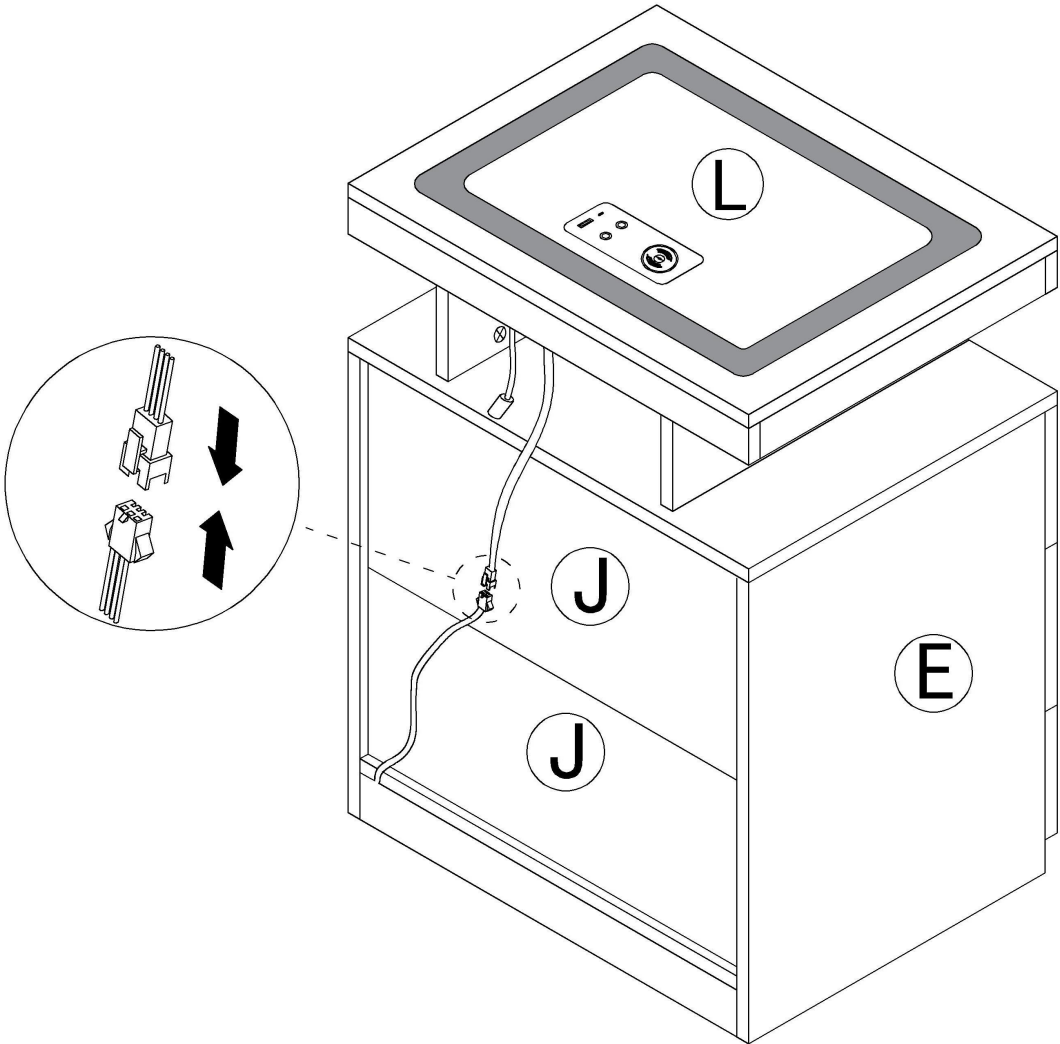
Step 30



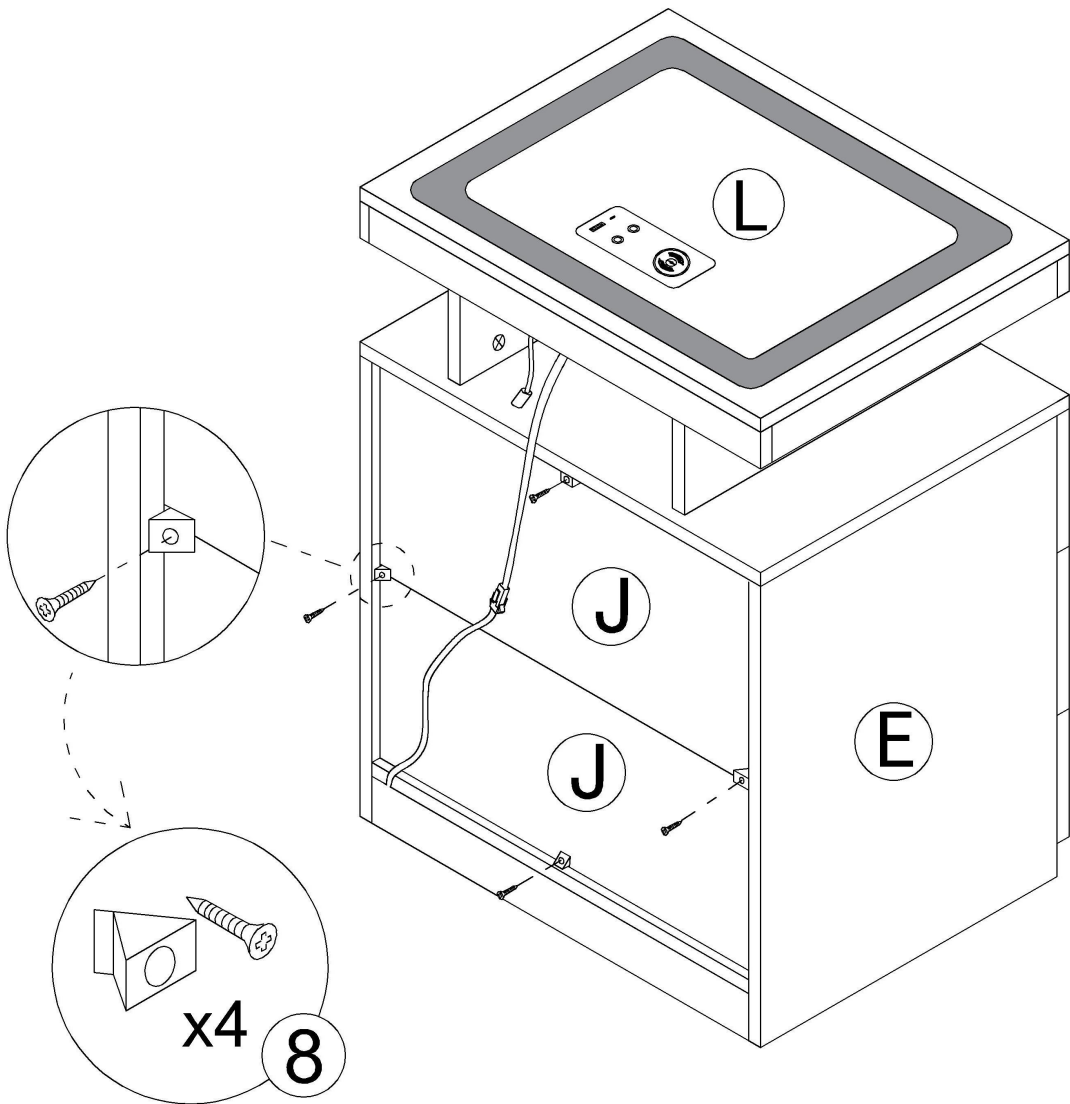
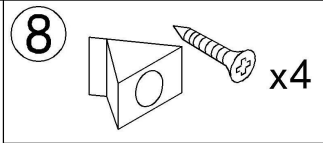
Step 31



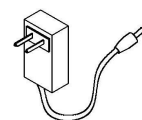
Step 32



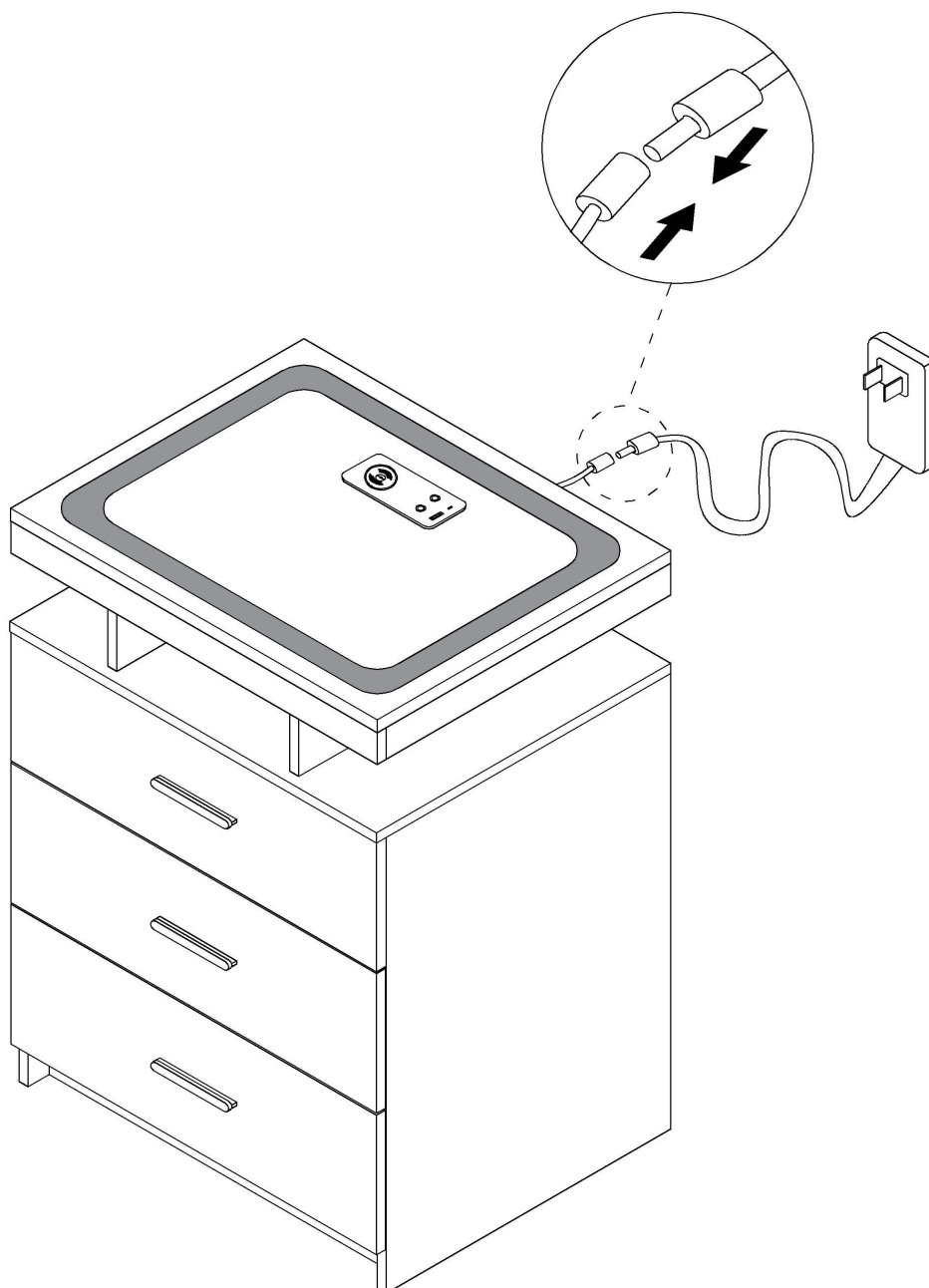
Step 33



Step 34



x1





User's Guide

Thank you for purchasing this product.

To use this product, please plug it into a 12V DC power supply.

Please use if the product works normally after connecting to power.

Introduction

The box is an intelligent controller. It has 1 USB port and 1 type-C port and can distribute the current output up to 5V DC-2A. With 2 touch buttons, it can turn ON/OFF the light, change light colors, and adjust the light luminance.

Operation



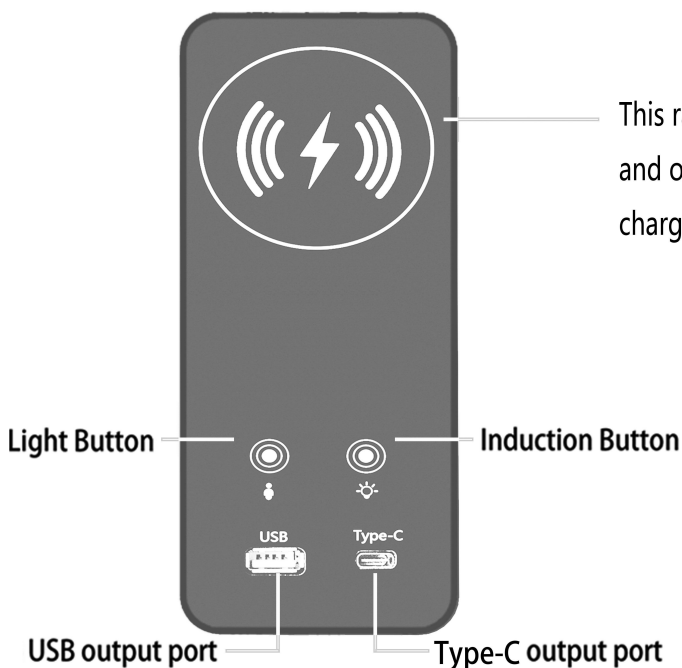
This touch button is used to turn on/off, change colors, and adjust brightness.

- A. Short touch -> lighting on -> short touch -> change light color -> short touch -> change light color -> short touch -> lighting off.
- B. Long touch -> adjust the luminance.



This touch button is used to turn on/off the induction function.

- A. Short touch to turn on the induction function. It can auto-turn on the light when people are close to the controller in 1 meters. It can auto power off the light when the body is far away from the controller after 30 seconds.
- B. Long touch to turn off the induction function.
- C. Note: When you touch the light button to change the light modes, the induction function will automatically turn off. It is best to turn on this function after selecting the light color and adjusting the brightness you want.



ATTENTION PLEASE

1. If there is no touch response suddenly, Re-plug the power to reset the touch static electricity.
2. If bubbles appear on the panel, remove the protective film.
3. If you have any questions when installing, please feel free to contact us. Thank you.