

ASSEMBLY INSTRUCTIONS COASTER FINE FURNITURE



Fine Furniture for every stage of life

ASSEMBLY INSTRUCTIONS

ASSEMBLY TIPS:

1. Remove hardware from box and sort by size.
2. Please check to see that all hardware and parts are present prior to start of assembly.
3. Please follow attached instructions in the same sequence as numbered to assure fast & easy assembly.



WARNING!

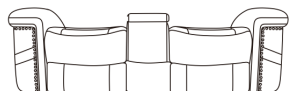
1. Don't attempt to repair or modify parts that are broken or defective. Please contact the store immediately.
2. This product is for home use only and not intended for commercial establishments.

ASSEMBLY TIME

5 MINUTES

PARTS IDENTIFICATION

A
BASE



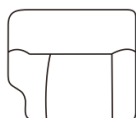
1PC

C
MIDDLE BACK



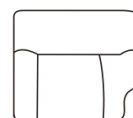
1PC

B
LEFT BACK



1PC

D
RIGHT BACK



1PC

E
LEFT EAR



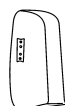
1PC

G
POWER CABLE



1PC

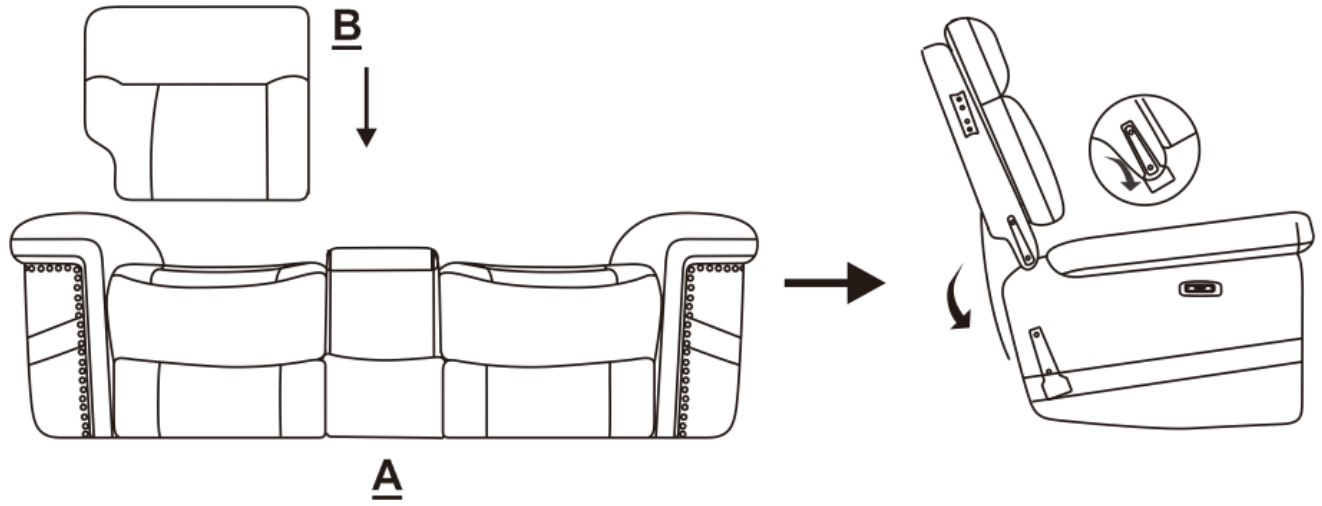
F
RIGHT EAR



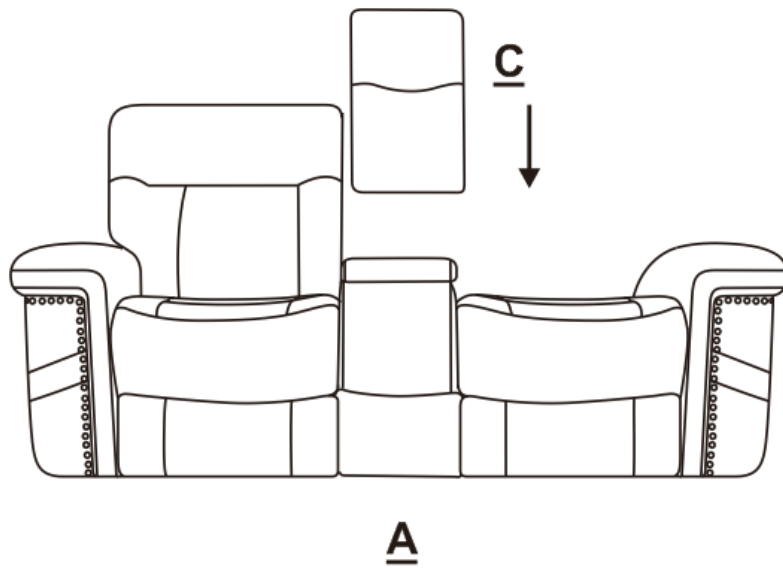
1PC

ASSEMBLY INSTRUCTIONS

STEP 1

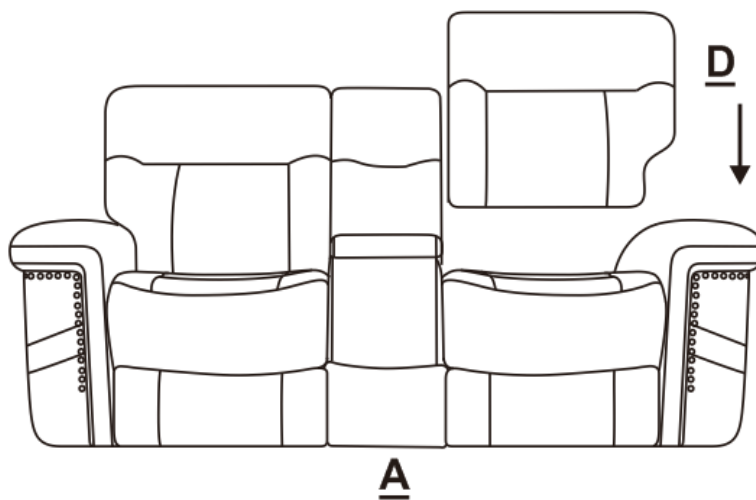


STEP 2

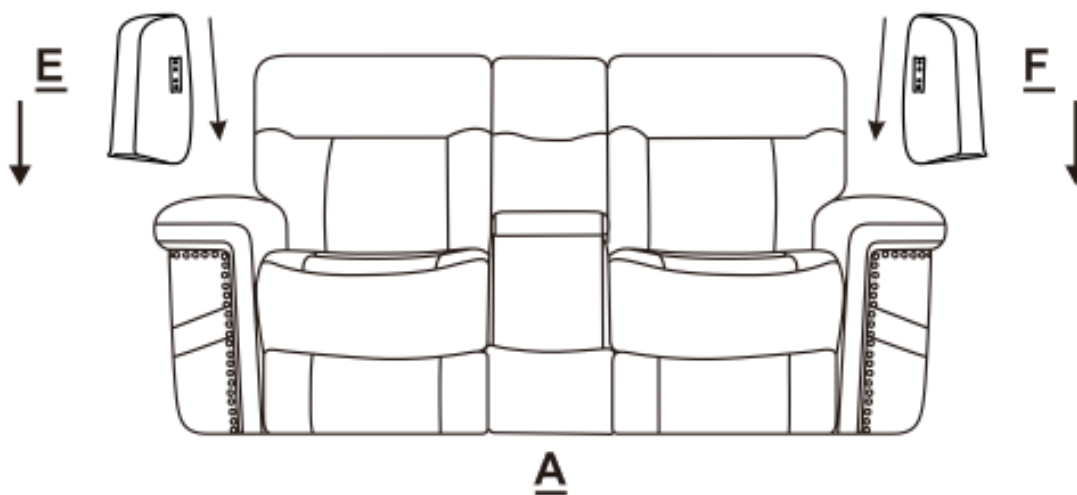


ASSEMBLY INSTRUCTIONS

STEP 3

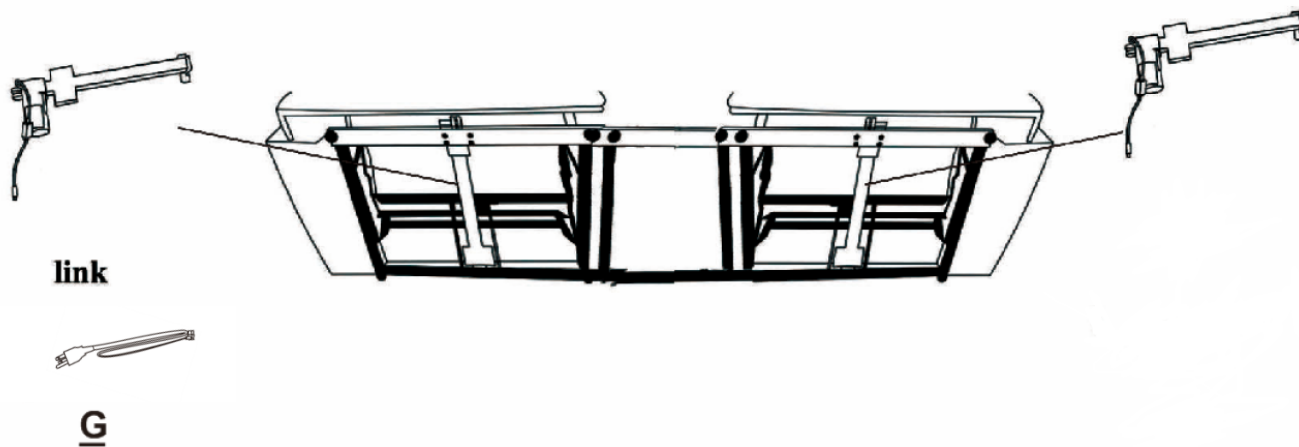


STEP 4

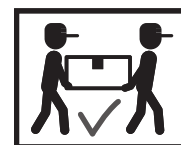
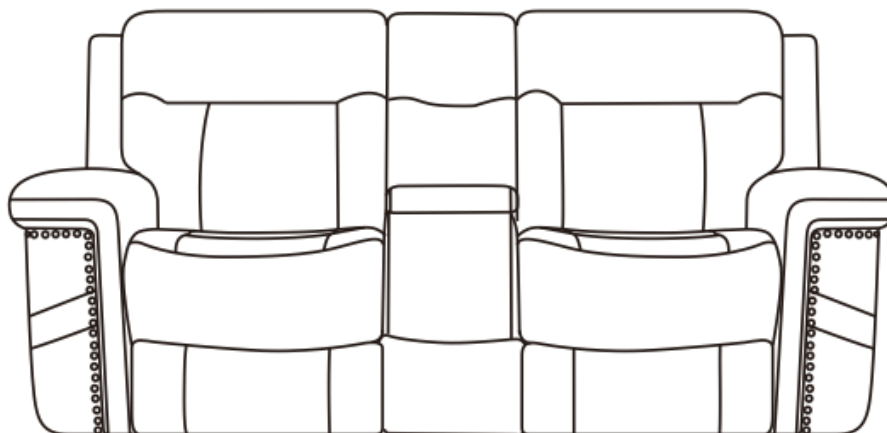


ASSEMBLY INSTRUCTIONS

STEP 5

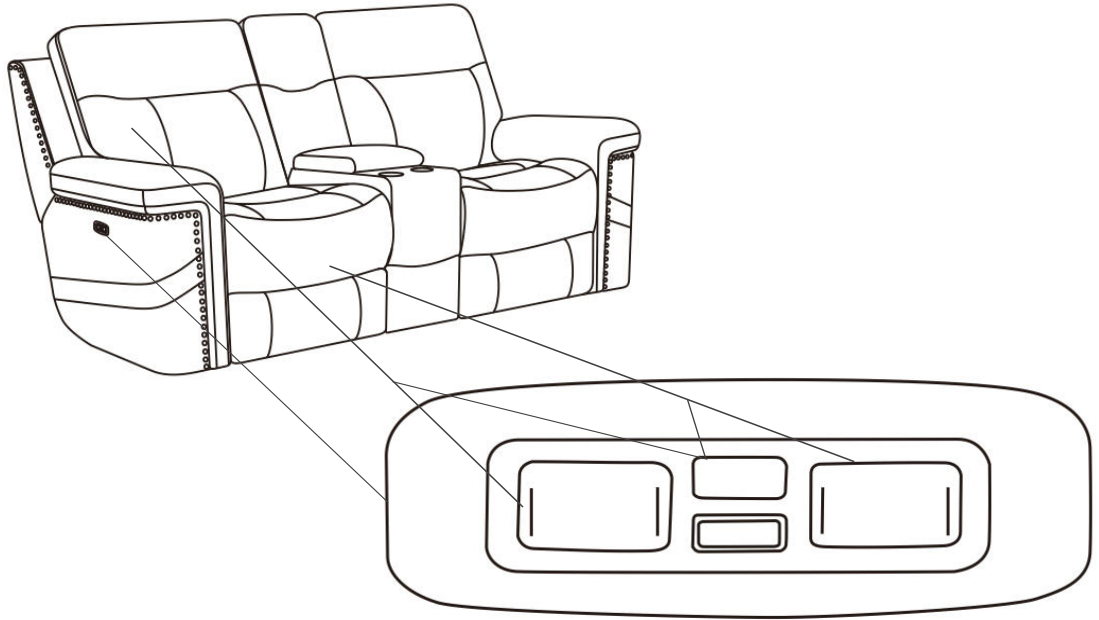


STEP 6



ASSEMBLY INSTRUCTIONS

STEP 7



CONTROLLER INSTRUCTIONS

