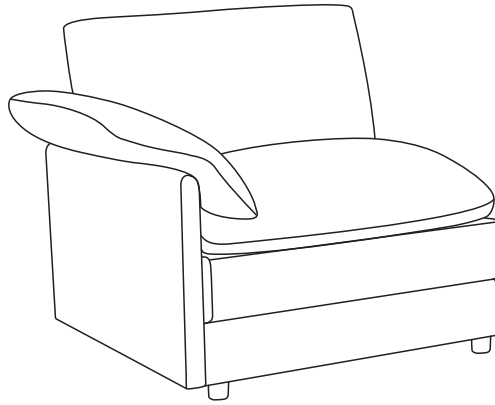
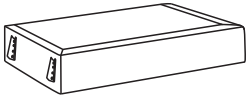
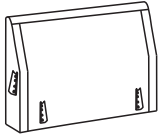
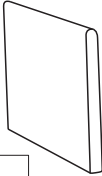
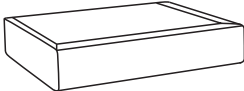


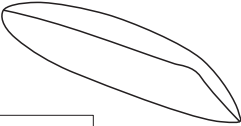


# ASSEMBLY INSTRUCTION

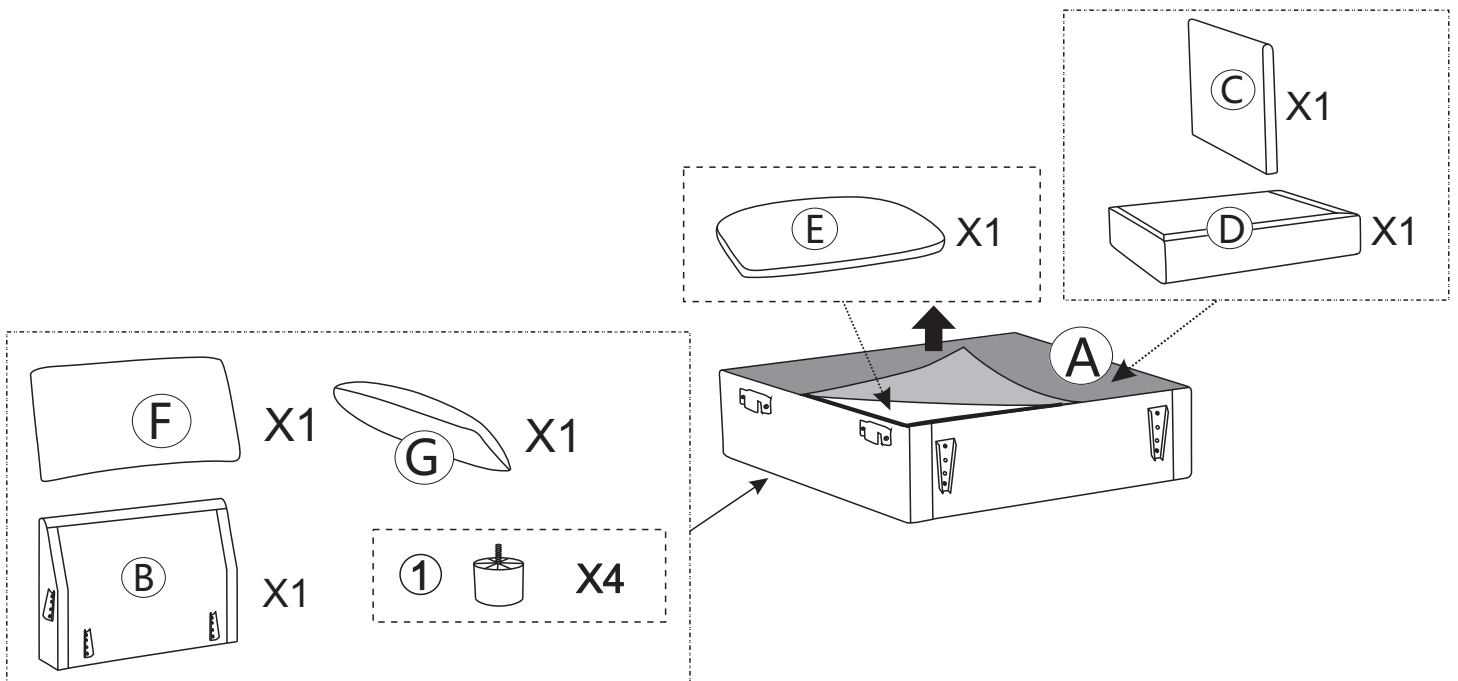


## PARTS LIST

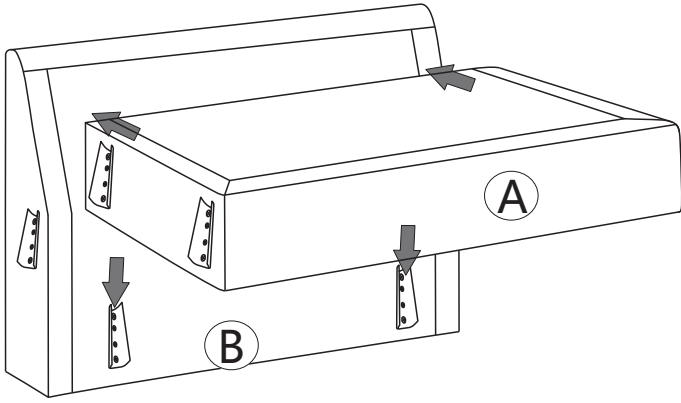
					
<b>A</b> X1	<b>B</b> X1	<b>C</b> X1	<b>D</b> X1	<b>E</b> X1	<b>F</b> X1
					
<b>G</b> X1					

## HARDWARE LIST

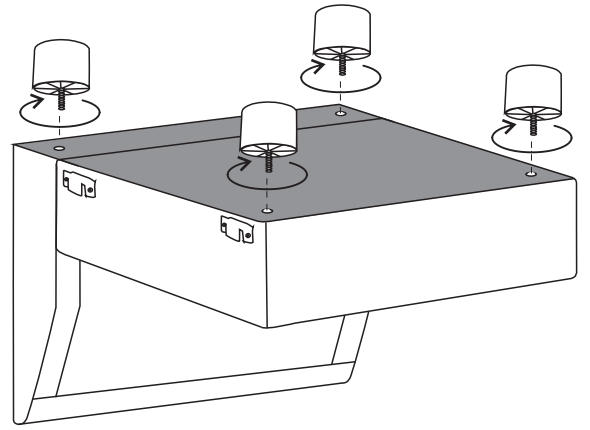
	
∅ 60X50mm	
<b>1</b> X4	



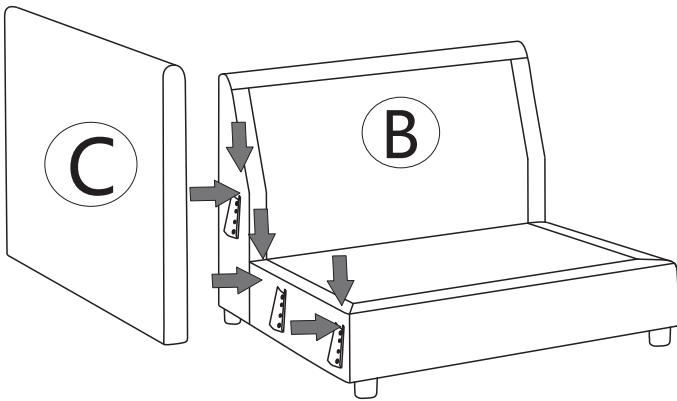
**Step1**



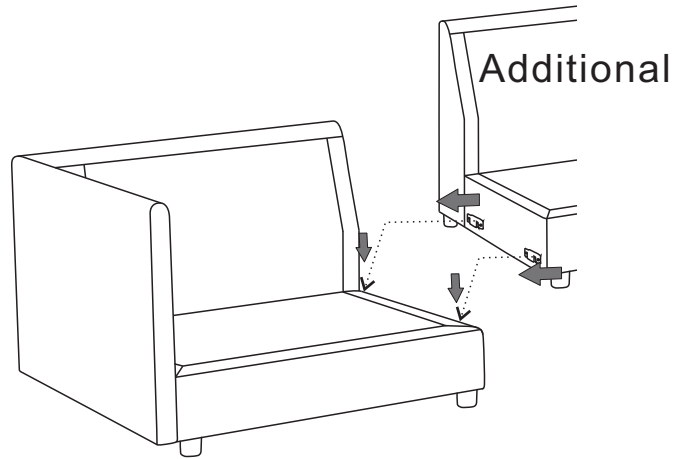
**Step2**



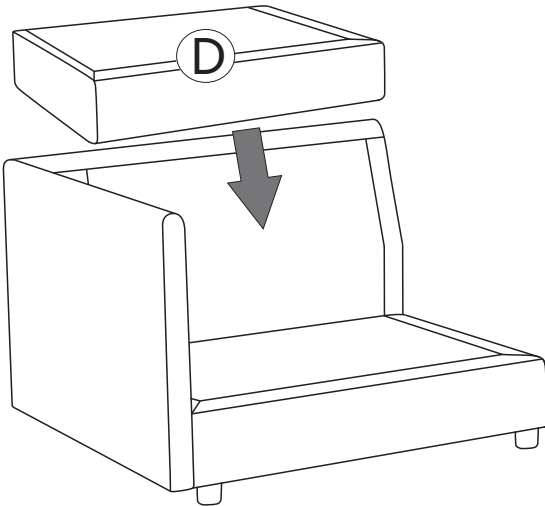
**Step3**



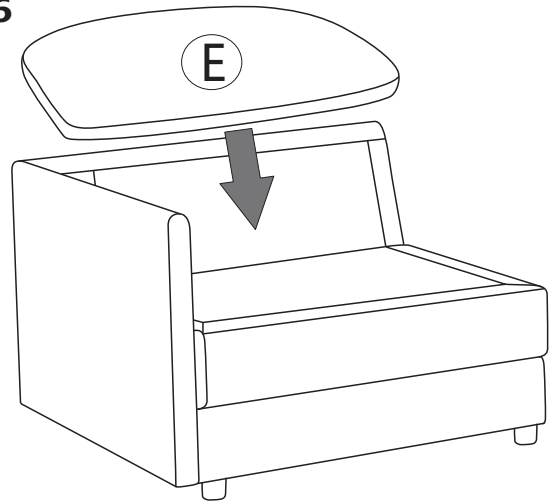
**Step4**



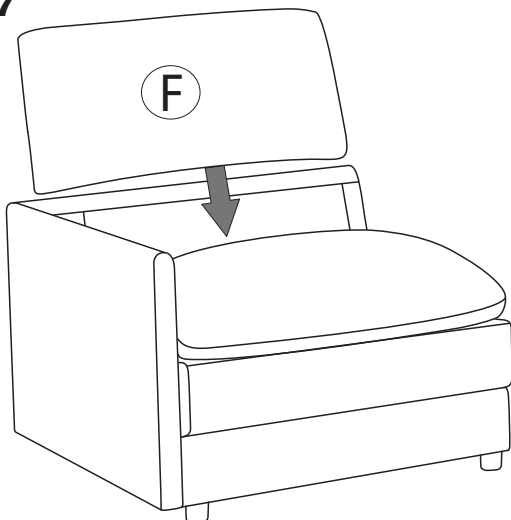
**Step5**



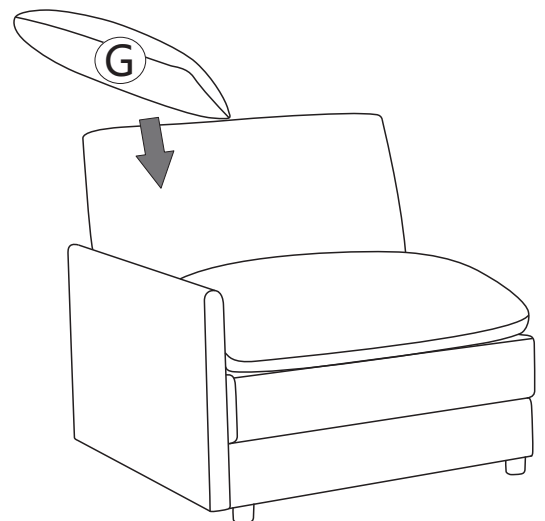
**Step6**



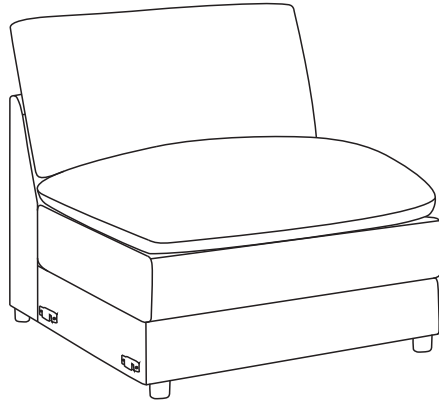
**Step7**



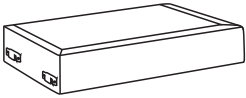
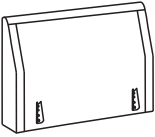



**Step8**



# ASSEMBLY INSTRUCTION



## PARTS LIST

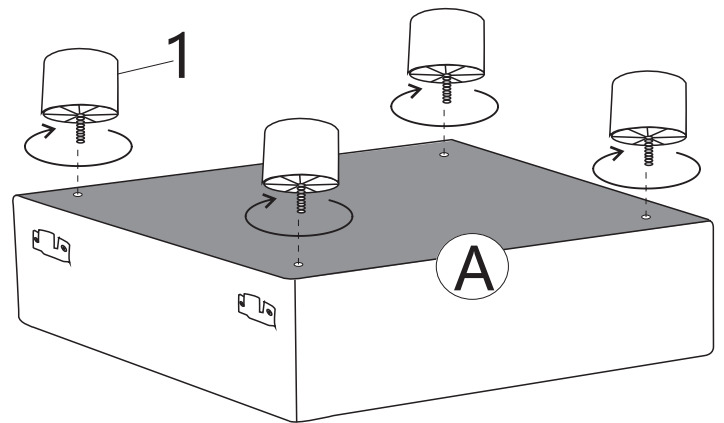
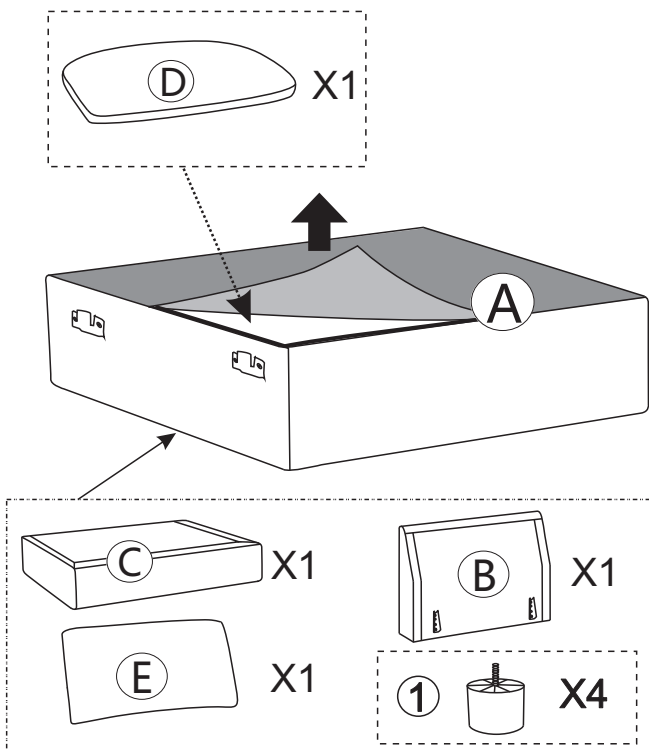
					
<b>A</b>	<b>B</b>	<b>C</b>	<b>D</b>	<b>E</b>	
X1	X1	X1	X1	X1	

## HARDWARE LIST

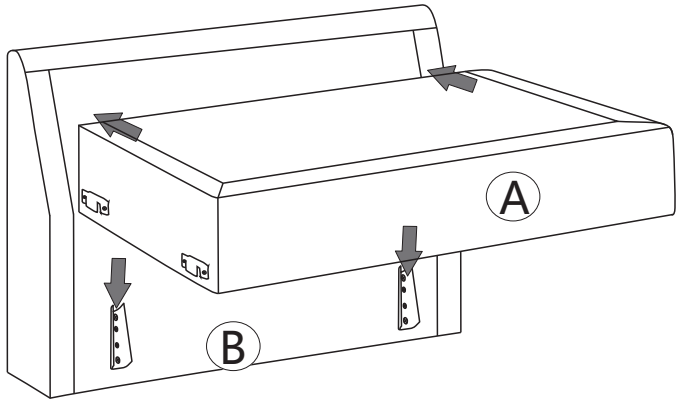


∅ 60X50mm

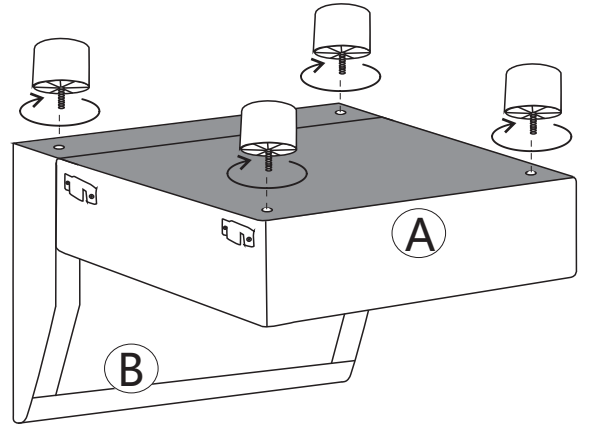
**1** X4



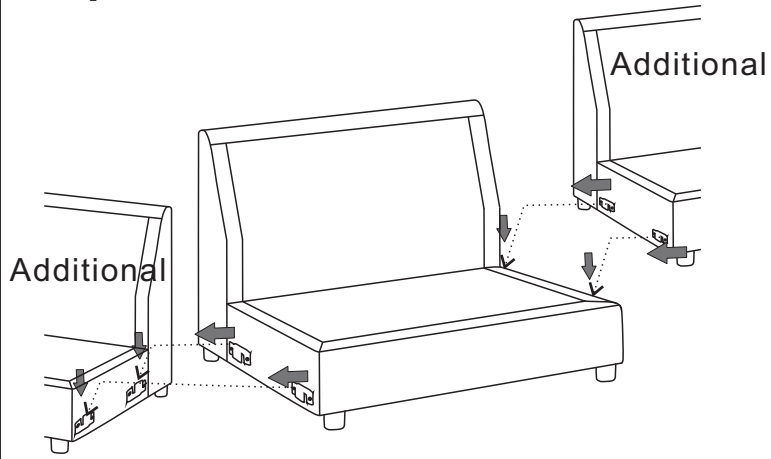
### Step1



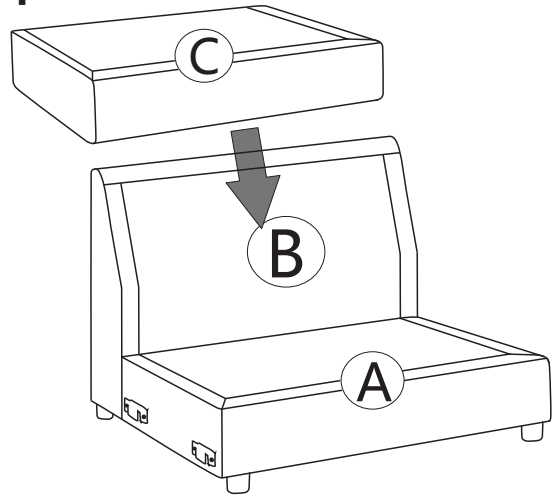
### Step2



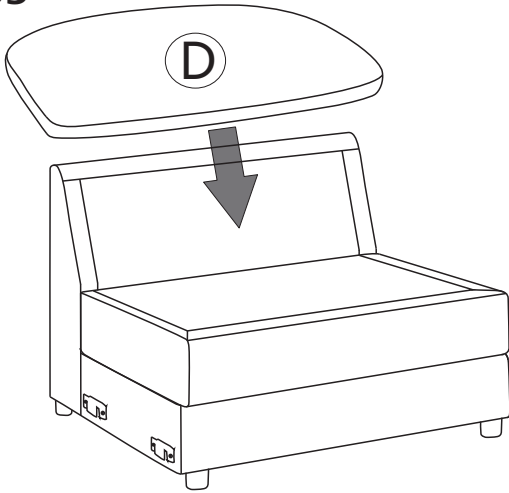
### Step3



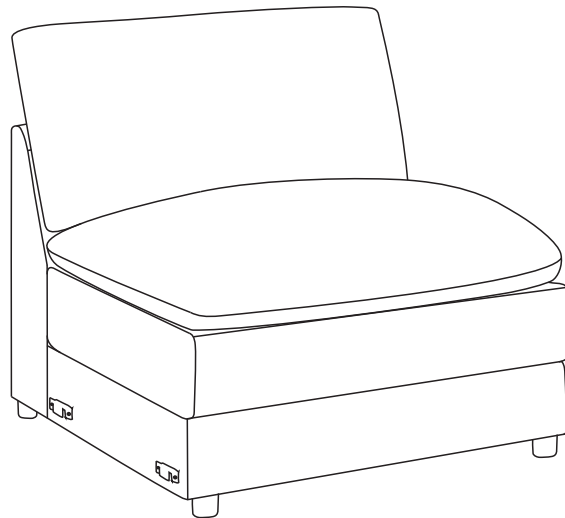
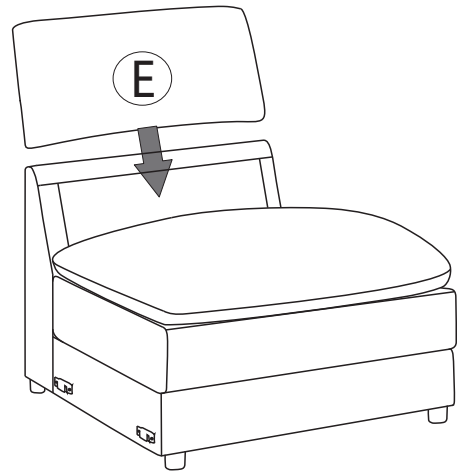
### Step4



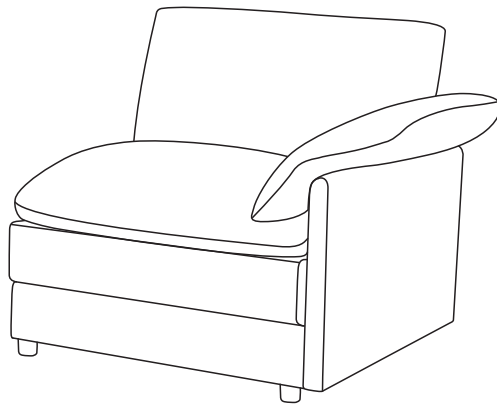
### Step5




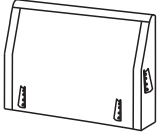
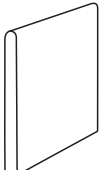



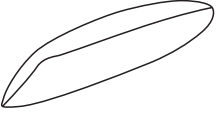
### Step6




# ASSEMBLY INSTRUCTION

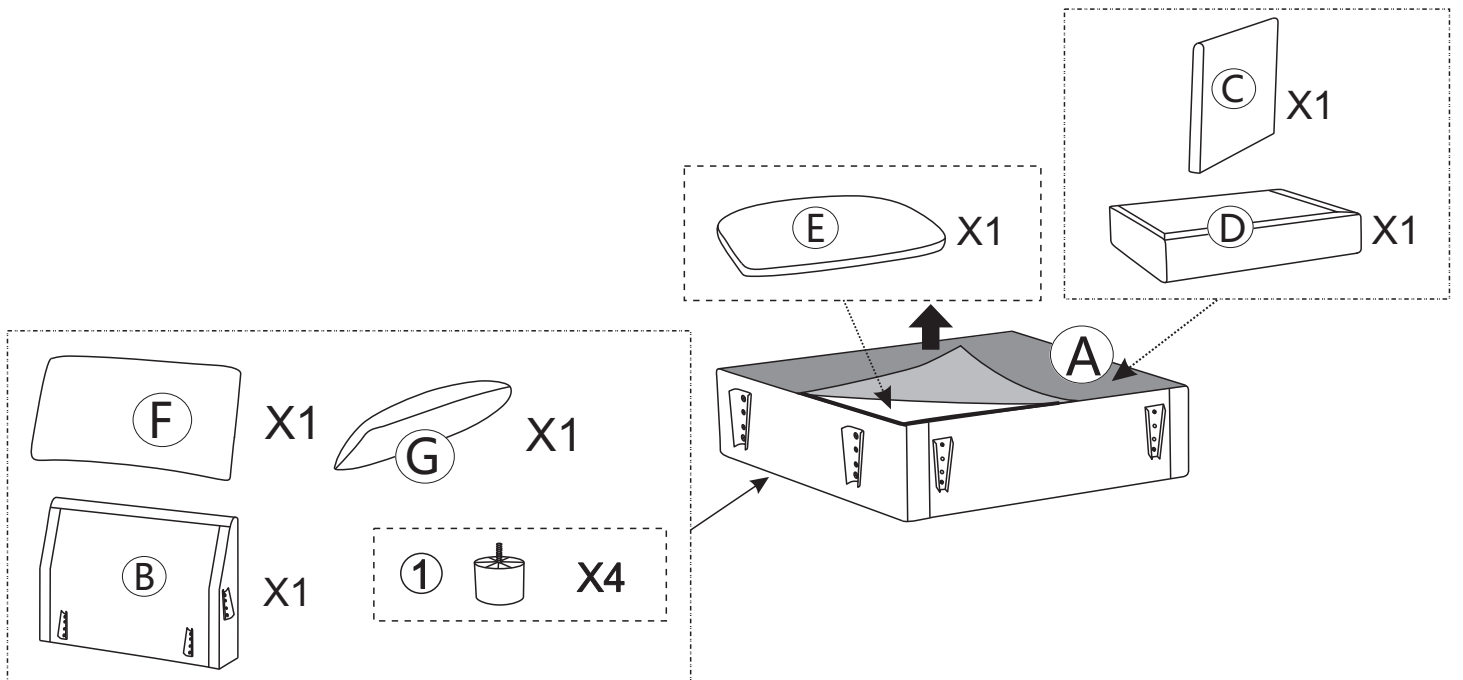


## PARTS LIST

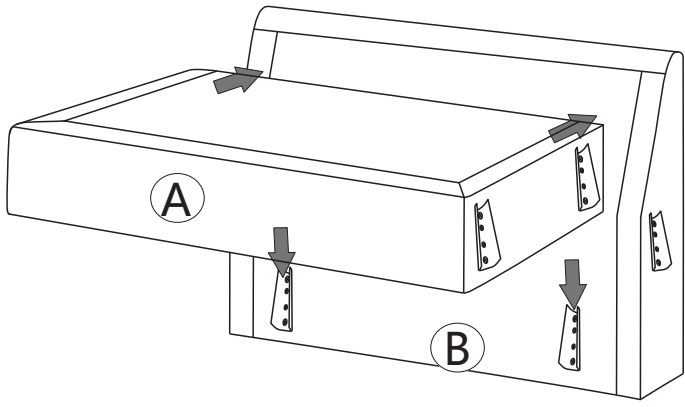
					
<b>A</b> X1	<b>B</b> X1	<b>C</b> X1	<b>D</b> X1	<b>E</b> X1	<b>F</b> X1
					
<b>G</b> X1					

## HARDWARE LIST

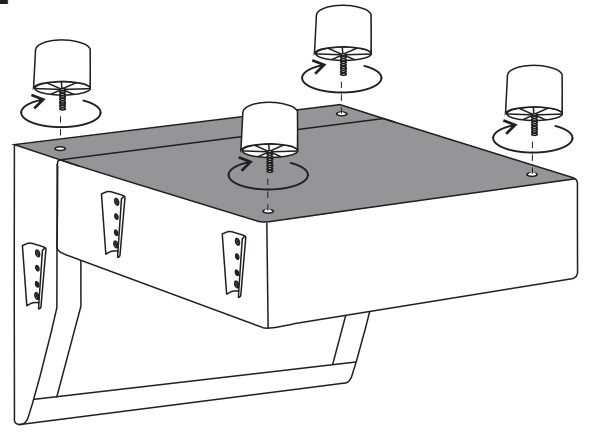
 ∅ 60X50mm	
<b>1</b> X4	



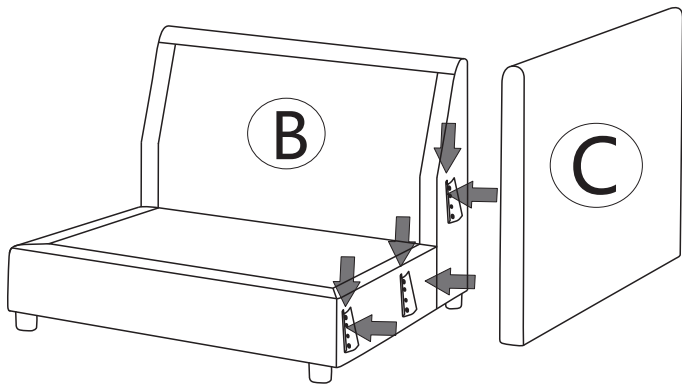
### Step1



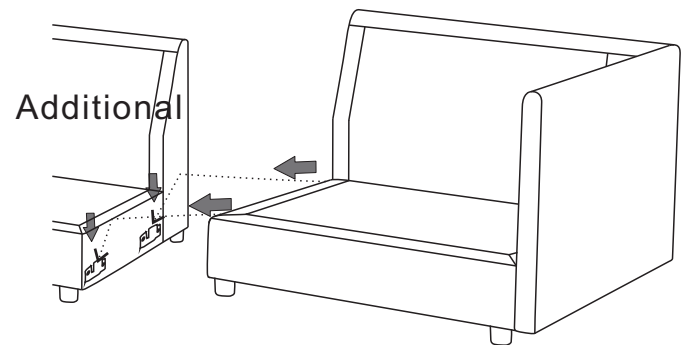
### Step2



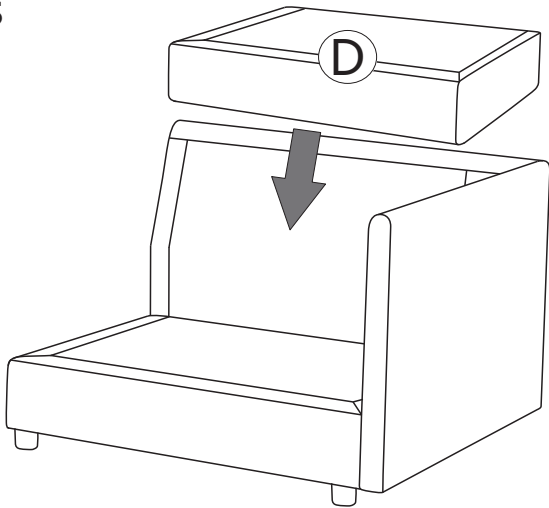
### Step3



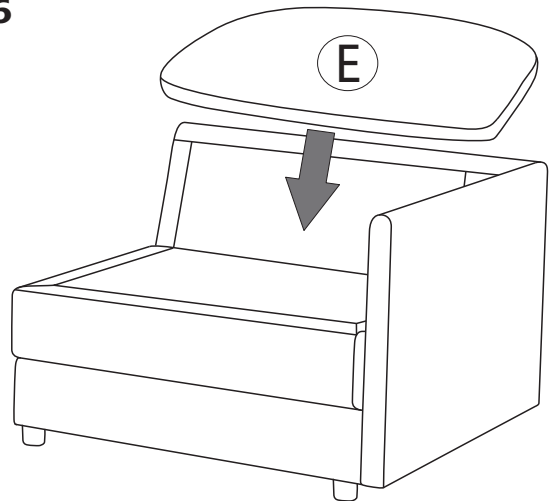
### Step4



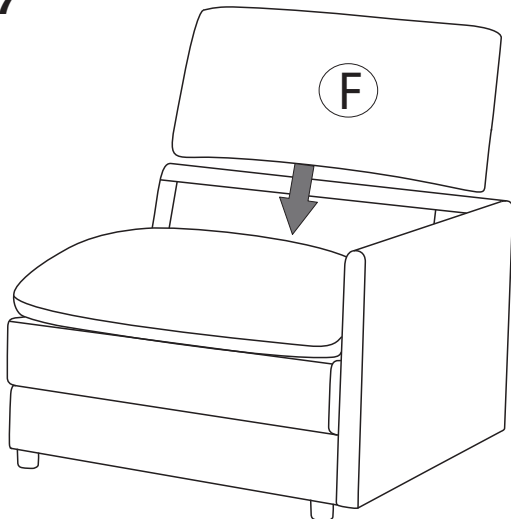
### Step5



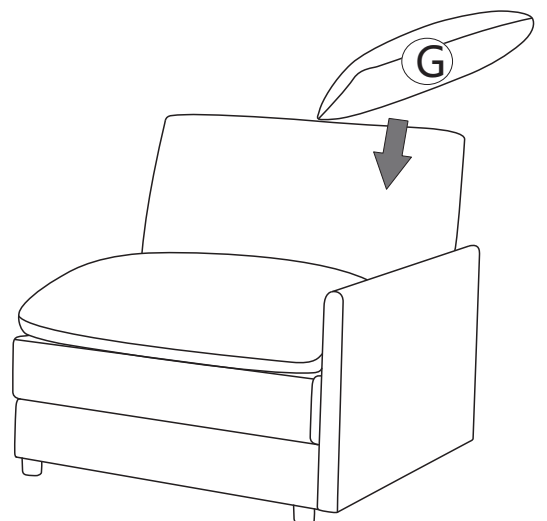
### Step6



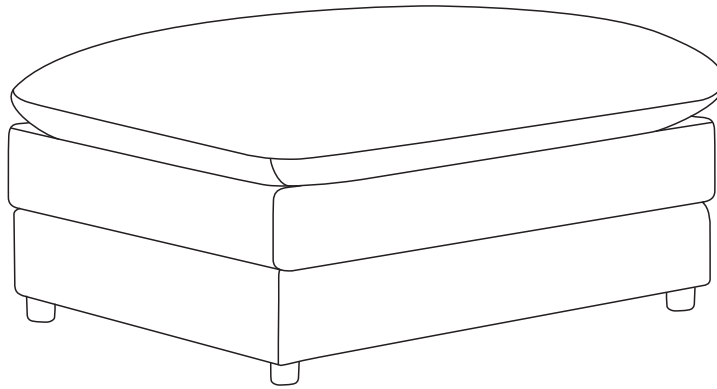
### Step7



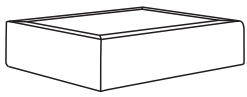
### Step8



# ASSEMBLY INSTRUCTION



## PARTS LIST



**A**

X1



**B**

X1



**C**

X1

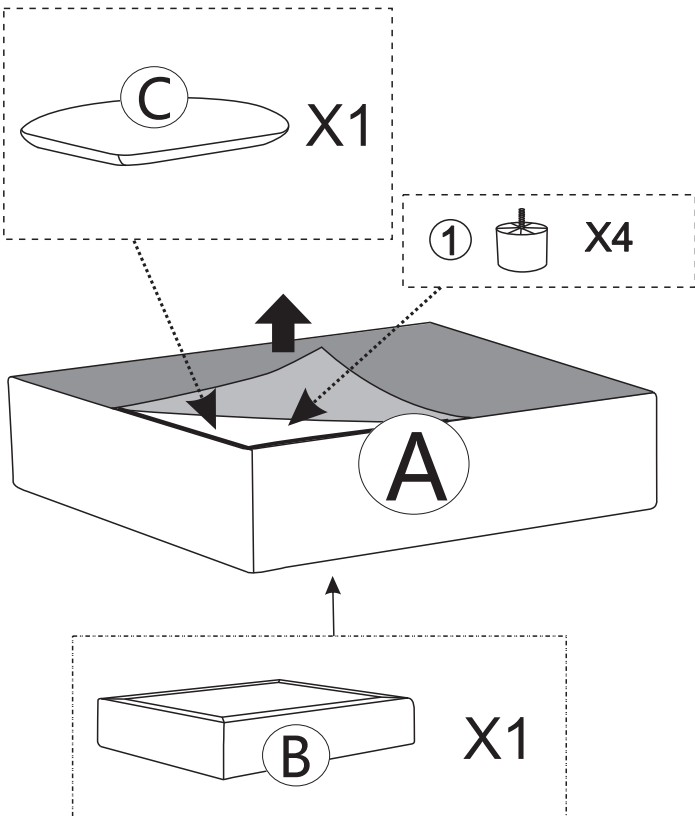
## HARDWARE LIST



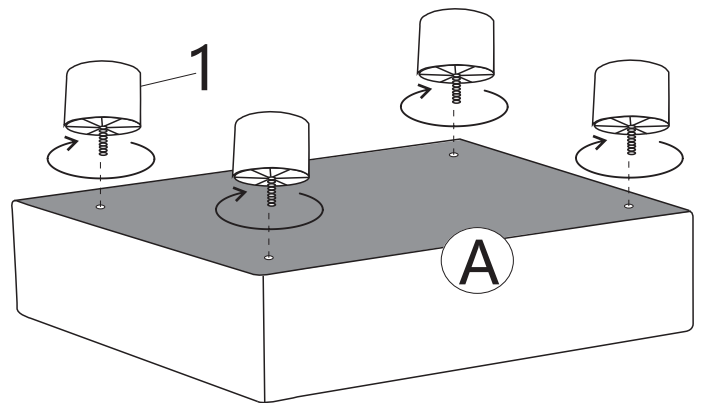
∅ 60X50mm

**1**

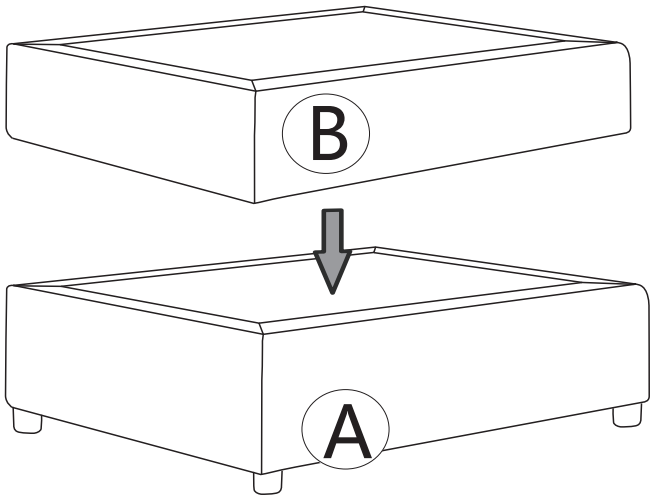
X4



## Step 1



**Step2**



**Step3**

