

83" x 30" Table Top

SKU:DESK-TOP84-30B/W

Instruction Manual

Assembly Video & Product Info
www.vivo-us.com/products/desk-top84-30b



! CAUTION! !

If you do not understand these directions, or if you have any doubts about the safety of the installation, please contact our product support team at 309-278-5303 or help@vivo-us.com for further assistance. Check carefully to make sure there are no missing or defective parts. Improper installation may cause damage or serious injury. Do not use this product for any purpose that is not explicitly specified in this manual. Do not exceed weight capacity. We cannot be liable for damage or injury caused by improper mounting, incorrect assembly or inappropriate use.



WARNING: CHOKING HAZARD

SMALL PARTS - NOT FOR CHILDREN UNDER 3 YEARS. ADULT SUPERVISION IS REQUIRED.



DO NOT EXCEED WEIGHT CAPACITY

FAILURE TO DO SO MAY RESULT IN SERIOUS INJURY.

We're Here for You

Open **Monday - Friday 7:00am - 7:00pm** CST, our dedicated support team can offer immediate assistance with rapid response times. If any parts are received damaged or defective, please contact us. We are happy to replace parts to ensure you have a fully functioning product.



Give us a Call:
309-278-5303

AVG. RESOLUTION TIME (*within office hrs*): **5M 4S**



Chat Us:
www.vivo-us.com

AVG. RESOLUTION TIME (*within office hrs*): **< 15 M**

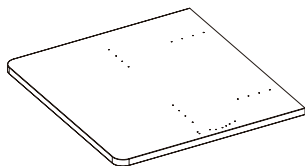


Email Us:
help@vivo-us.com

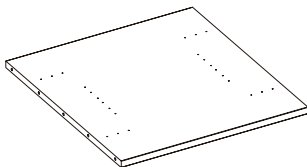
AVG. RESPONSE TIME (*within office hrs*): **1HR 8M**

- 23% within < 15m
- 38% within < 30m
- 61% within < 1hr
- 83% within < 2hr
- 92% within < 3hr

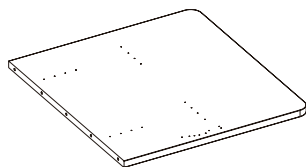
Package Contents



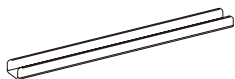
A (x1)
Right Panel



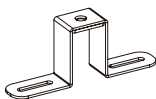
B (x1)
Middle Panel



C (x1)
Left Panel



D (x4)
Connecting
Bracket

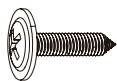


E (x2)
Support Bracket



F (x10)
Wooden Dowel

Included Hardware & Tools



S-A (x32)
ST4.2x20mm Screw



S-B (x2)
M8x20mm Screw



T-A (x1)
5mm Allen Wrench

Tools Needed:

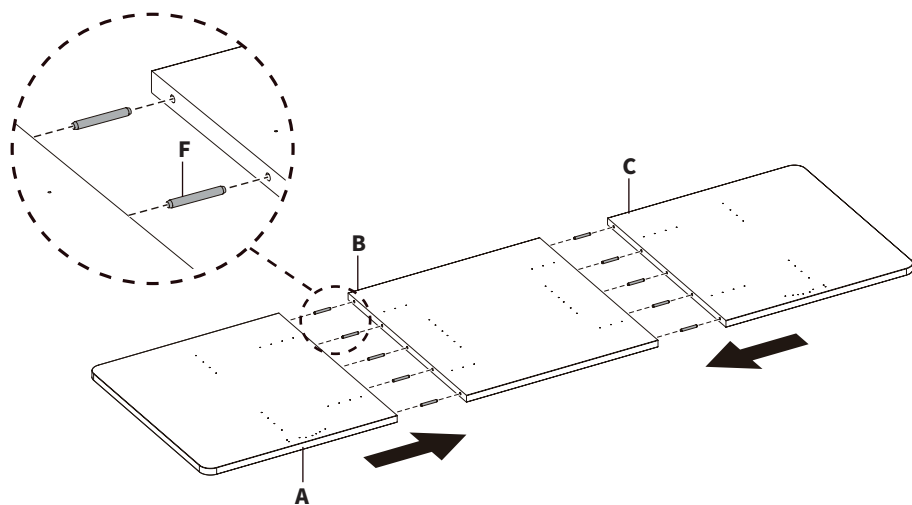


**Phillips
Screwdriver**

ASSEMBLY STEPS

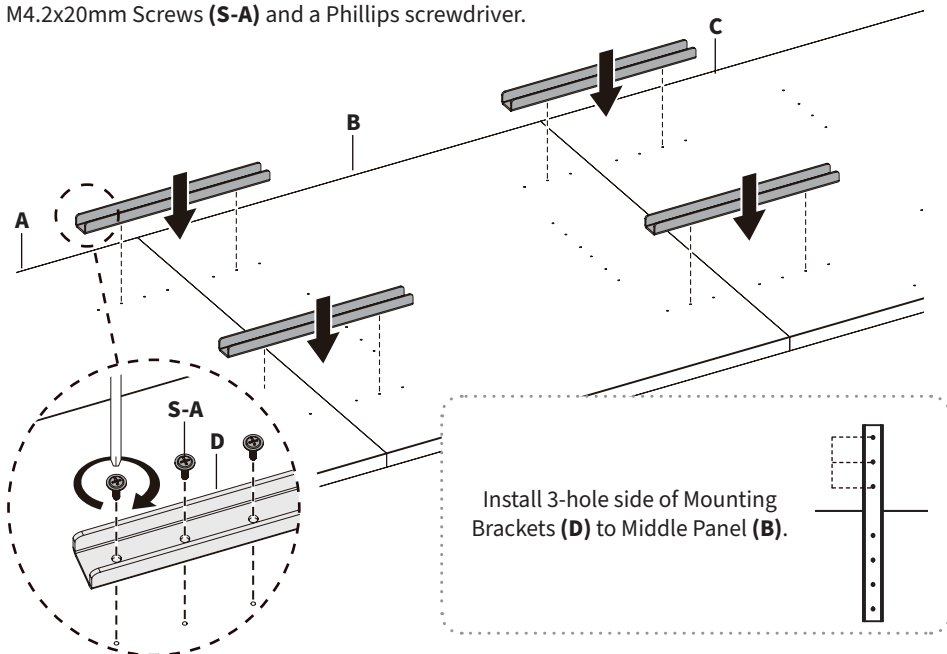
STEP 1

Place desktop pieces upside down on a soft surface. Insert Wooden Dowels (**F**) into the holes on the sides of Middle Panel (**B**). Once inserted, slide the Left and Right Panels (**A,C**) over the Wooden Dowels.



STEP 2

Align Connecting Brackets (**D**) with holes on Panels (**A,B,C**), then secure using M4.2x20mm Screws (**S-A**) and a Phillips screwdriver.



STEP 3

Set your desk frame (not included) upside down and place it onto the desktop assembly. Adjust the frame width to match the holes on the desktop. Once aligned, secure the frame using the included hardware in your frame kit.

Pre-Drilled Holes



VIVO Frames

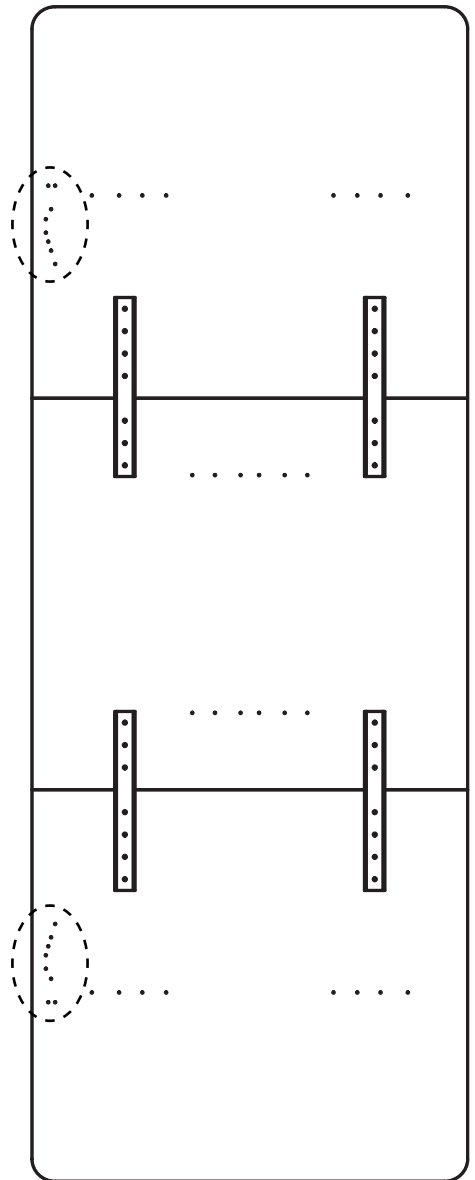
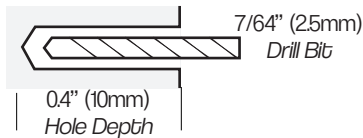
Most control panels will fit pre-drilled holes.



= Pre-Drilled Holes

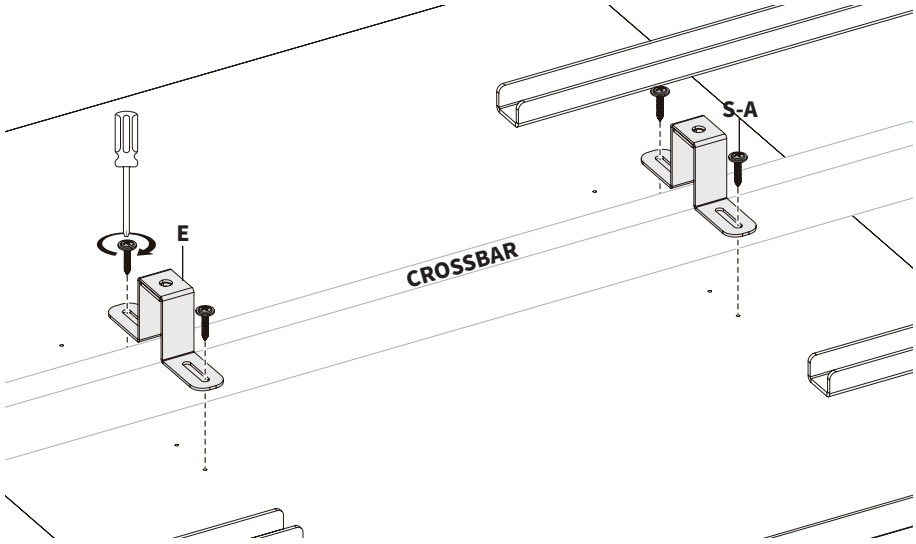
Off-Brand Frame

Drill mounting holes using illustration below.



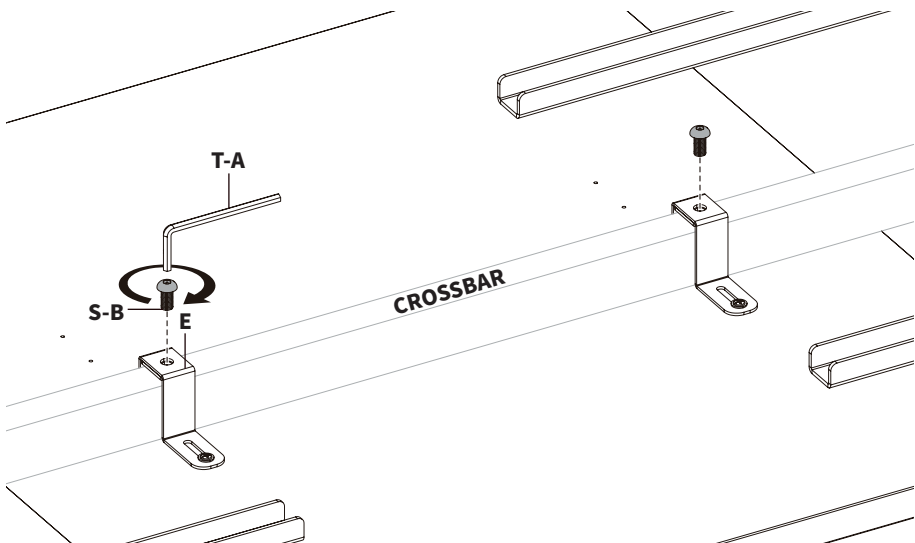
STEP 4

Place Support Brackets (**E**) over the **crossbar** on your desk frame (not included). Align with pilot holes on desktop and secure them with ST4.2x20mm Screws (**S-A**) and a Phillips screwdriver.



STEP 5

Secure the Support Brackets (**E**) to the **crossbar** using M8x20mm Screws (**S-B**) and 5mm Allen Wrench (**T-A**).



[THIS PAGE INTENTIONALLY LEFT BLANK]



Need Help? Get In Touch

Monday-Friday from 7:00am-7:00pm CST



help@vivo-us.com



www.vivo-us.com

Chat live with an agent!



309-278-5303



VIVO-us @vivo_us

FOR MORE GREAT VIVO PRODUCTS,
CHECK OUT OUR WEBSITE AT: WWW.VIVO-US.COM