

# **SMART TOILET**

***Installation and User Manual***

**READ ALL INSTRUCTIONS BEFORE UNPACKING THE PRODUCT**

INSTRUCTIONS THAT, IF IGNORED COULD RESULT IN DEATH OR SERIOUS INJURY CAUSED BY INCORRECT HANDLING OR INSTALLATION OF THE PRODUCT. THESE INSTRUCTIONS MUST BE OBSERVED FOR SAFE INSTALLATION.

**CAUTION!****TWO PERSON  
LIFT REQUIRED****2 PEOPLE ARE REQUIRED TO LIFT AND DURING  
ENTIRE INSTALLATION OF THIS PRODUCT****INSTALLATION OF THIS PRODUCTS BY AN  
INEXPERIENCED INSTALLER MAY RESULT  
PERSONAL INJURY OR DEATH!**

We reserves the right to change, update, modify, alter, redesign this manual/product or its policies without prior notice!

We shall not be liable for any injuries or property damages in connection with this product during installation or use of this product!

This products must be installed by a fully insured and licensed plumber only. installation of any our product by anyone other than fully insured and licensed plumber shall void limited warranty. We recommend that such licensed plumber have experience in the installation of products.

Limited warranty is void on any commercial installation

We are not responsible for local code compliance for this product. Building and plumbing codes may vary from state-to-state in accordance to your location. We are not responsible for providing any compliance certifications .

Under no circumstances we are shall not be liable for any and all incidental damages sustained in connection with this product

Neither manufacturer, nor distributor, nor retailer is responsible for water damage or flood caused due to use of this product.

Under no circumstances, we shall be liable for any and all fees, cost of installation/reinstallation/removal, subsequent damage or transportation in case of the product defect.

1 Caution .....	1
2 Technical specifications .....	3
3 Product dimension .....	5
4 Installation preparation .....	6
5 Installation of ceramic toilet .....	7
6 Installation of remote control .....	10
7 Functional inspection .....	11
8 Parts identification .....	12
9 Remote control introduction .....	13
10 Knob and foot control .....	15
11 Daily maintenance .....	16
12 Troubleshooting guide .....	17
13 Product limited warranty .....	20

## IMPORTANT SAFEGUARDS

When using electrical products, especially when children are present, basic safety precautions should always be followed, including the following:

- 1.The appliance is not to be used by persons (including children) with reduced physical, sensory or mental capabilities, or lack of experience and knowledge, unless they have been given supervision or instruction.
- 2.Children being supervised not to play with the appliance.
- 3.This appliance can be used by children aged from 8 years and above and persons with reduced physical, sensory or mental capabilities or lack of experience and knowledge if they have been given supervision or instruction concerning use of the appliance in a safe way and understand the hazards involved.
- 4.Children shall not play with the appliance.
- 5.Cleaning and user maintenance shall not be made by children without supervision.

## READ ALL INSTRUCTIONS BEFORE USING




### **DANGER** -To reduce the risk of electrocution:

1. Do not use while bathing.
2. Do not place or store product where it can fall or be pulled into a tub or sink.
3. Do not place in or drop into water or other liquid.
4. Do not reach for a product that has fallen into water. Unplug immediately.
5. Do not wash the main unit or electrical plug with water or detergent.
6. Do not handle the electrical plug with wet hands.
7. Do not put a hand or other staff over the outlet of air dryer or block the outlet of air dryer.
8. Never disassemble,repair or modify this product.
9. During installation, disassembly, reparaire and maintenance of the product,the power plug must be switched off and water supply be shut off.



### **WARNING**-To reduce the risk of burns, electrocution, fire, or injury to persons.

1. Close supervision is necessary when this product is used by, on, or near children or invalids.
2. Use this product only for its intended use as described in this manual. Do not use attachments not recommended by the manufacturer.
3. Never operate this product if it has a damaged cord or plug, if it is not working properly, if it has been dropped or damaged, or dropped into water. Return the product to a service center for examination and repair.
4. Keep the cord away from heated surfaces.
5. Never use while sleeping or drowsy.
6. Never drop or insert any object into any opening or hose.
7. Do not use outdoors or operate where aerosol (spray) products are being used or where oxygen is being administered.
8. Connect this product to a properly grounded outlet only. See Grounding Instructions.
9. Do not throw cigarettes and other burning stuff into toilet, otherwise it might cause fire.
- 10.This product is electric appliance, so it must be placed far away from water. Please don't drench urine and other liquid to it.
- 11.Do not lay on side or upside the product during the electrical circuit inspection.
- 12.It is prohibited to use other electric appliances in the same socket.
- 13.It is forbidden to use the power extension or unstable loose outlet.
- 14.The old aging water supply hose can not be used, otherwise it might cause leakage, fire or electrical shock.Installation of the bidet seat should include specified components and new water supply hose.

 **CAUTION** - Indicates that failure to follow the instruction may cause body injury or property damage.

1. Do not install or use the product in wet places as steam room etc. This product must be connected to properly grounded power outlet socket.
2. It is recommended to use water-proof electrical outlet which should be installed in the place where is not easily got wet.
3. This product should be used with AC 110V-120V, 50/60Hz electrical current only, load current is at least 15A. Power plug must be equipped with ground fault circuit interrupter or ground fault electrical leakage protector or similar high sensitive, rapid type leakage switch (Rated sensitive current under 6mA).
4. When it thunders, it is strongly recommended to pull out the power plug.
5. Do not stand on ceramic toilet.
6. Ceramic toilet must install floor fixing bolt.
7. Do not stand on product unit, seat and cover.
8. Do not lean against the seat cover when using the product, to avoid damage.
9. This product is equipped with soft-closing seat cover. Heavy pressing or pushing may damage the soft-closing damper.
10. Do not use lacquer thinner, petrol, liquid medicine, detergent, insecticide, toilet cleanser and scrubbing brush to clean the product.
11. Exposure to direct sunlight is prohibited.
12. Only use tap water or bottle water; otherwise it may cause chafing.
13. Do not connect water supply to heater outlet. Make sure inlet water temperature at 3~35°C.
14. When the room temperature is under zero degree, please dry up the water tank, to avoid freezing.
15. Raise rest room temperature to prevent the toilet from damage due to freezing.
16. When move the product from cold or wet environment into normal room temperature, wait for 2 hours until the condensation water is fully volatilized. Doing so can prevent the product from electric short-circuit.
17. When not using the product over three(3) days, drain the water out of the container and pull the electrical plug from the wall outlet.
18. Stop using the product and shut off the power when product malfunctions, please contact the service people for professional service.

## **GROUNDING INSTRUCTIONS**

This product should be grounded. In the event of an electrical short circuit, grounding reduces the risk of electric shock by providing an escape wire for the electric current. This product is equipped with a cord having a grounding wire with a grounding plug. The plug must be plugged into an outlet that is properly installed and grounded.

 **DANGER** - Improper use of the grounding plug can result in a risk of electric shock.

If repair or replacement of the cord or plug is necessary, do not connect the grounding wire to either flat blade terminal. The wire with insulation having an outer surface that is green with or without yellow stripes is the grounding wire.

This product is factory equipped with a specific electric cord and plug to permit connection to a proper electric circuit. Make sure that the product is connected to an outlet having the same configuration as the plug. No adapter should be used with this product. Do not modify the plug provided – if it will not fit the outlet, have the proper outlet installed by a qualified electrician. If the product must be reconnected for use on a different type of electric circuit, the reconnection should be made by qualified service personnel.

**SAVE THESE INSTRUCTIONS**

Wash	Rear Wash	●
	Female Wash	●
	Movely Wash	●
	Adjustable Water Temperature	●
	Adjustable Flow Rate	●
	Adjustable Nozzle Position	●
	Auto Clean Nozzle	●
	Instant heating	●
	Tankless	●
Heated Seat	Heated Seat	●
	Adjustable Seat Temperature	●
Warm Dryer	Warm Dryer	●
	Adjustable Dryer Temperature	●
	Night Light	●
	Ambient Light	●
	Body Knob	●
	Remote Control	●
	Seat Sensor	●
	Digital Display	●
	Auto Open the cover	●
	Open the cover by foot Controller	●
	Open the cover by Remote Controller	●
	Open the Seat by Foot Controller	●
	Open the Seat by Remote Controller	●
	Auto Flush When Stand up from the seat	●
	Flush by Remote control	●
	Flush by Body Knob	●
	Emergency Flush With Batteries	●
	Pre-wetting	●
	PP Filter for Wash	●

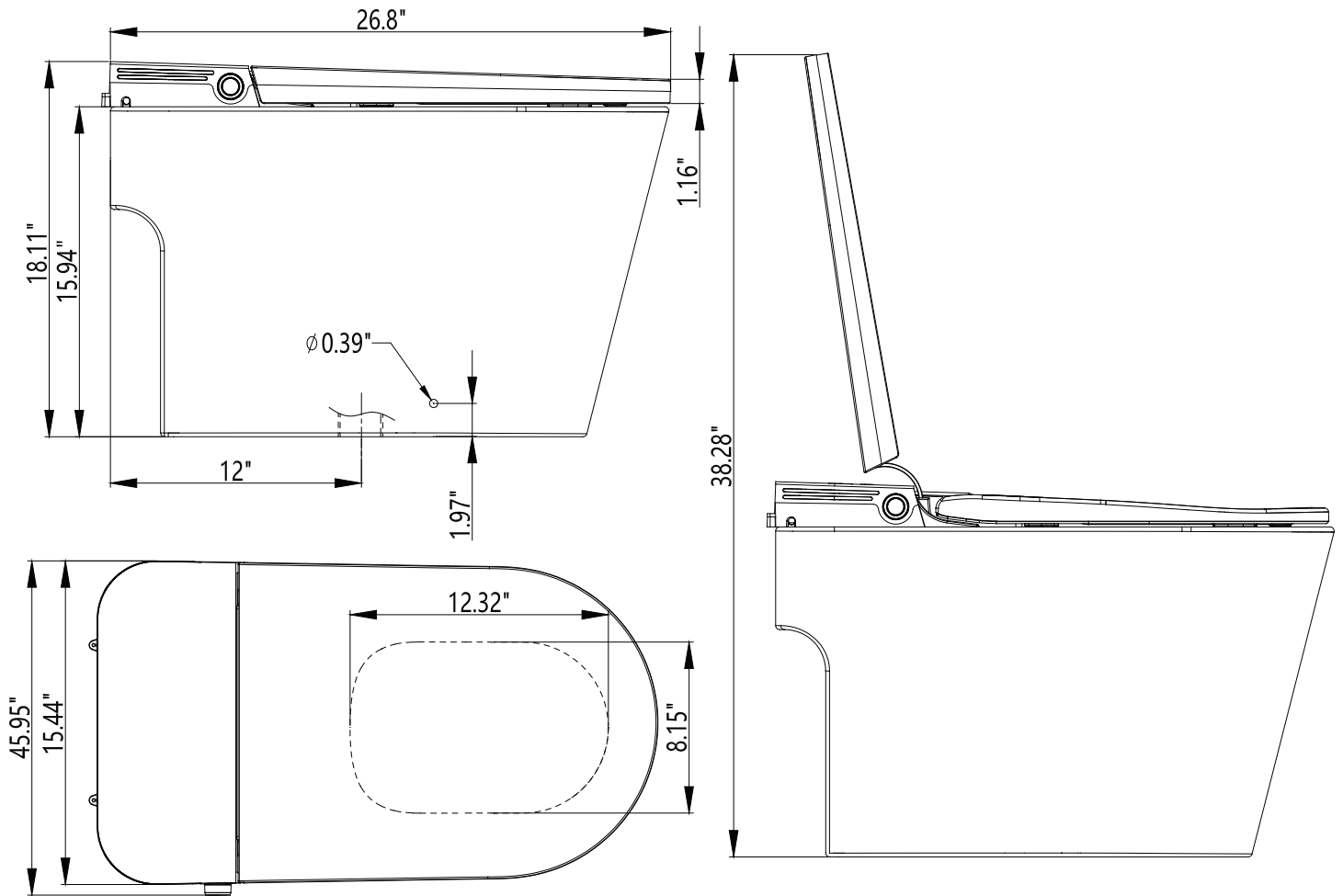
NOTE: ● with this function - without this function

## 2 Technical specifications

	Rated Voltage	AC110-120V , 50/60Hz
	Power	1200W
	Length Of Power Cord	1.2m
	Water Supply Pressure	0.07~0.75MPa(0.7~7.5Bar)
	Water Supply Temperature	4~35°C(39.2~95°F)
	Ambient Temperature	4~40°C(39.2~104°F)
	Protection Degree	IPX4
Wash Device	Flow Rate	350~750mL/min
	Water Temperature	31~40°C(87.8~104°F), 3 Steps
	Wash Cycle Time	90 Seconds
	Heating Mode	Immediate heat
	Maximum Heater Power	1400W
	Safety Device	Temperature sensor\Flowmeter\Thermostat
Dryer Device	Maximum Speed Of Air	4m/S
	Maximum Dryer Power	280W
	Dry Cycle Time	90 Seconds
	Warm Air Temperature	35~55°C(84.5~131°F), 3 Steps
	Safety Device	Thermal Cutoff Fuses\Thermostat
Warm Seat	Maximum Heating Power	50W
	Seat Temperature	31~40°C(87.8~104°F), 3 Steps
Remote Control	Type of batteries	1.5V LR03 AAA
	Number of batteries	Two pieces
Backup Battery (for flushing)	Type of batteries	1.5V LR6 AA
	Number of batteries	Ten pieces
	Installation distance of sewage	305mm(12")
	Nominal water consumption	5 L
	Other Safety Device	Residual Current Devices
	Net Weight	46Kg
	Dimension	680*390*465 mm(26.8"*15.4"*18.1")

### NOTE:

Please purchase batteries in advance. Two pieces of AAA and ten pieces of AA.



---

### IMPORTANT INFORMATION

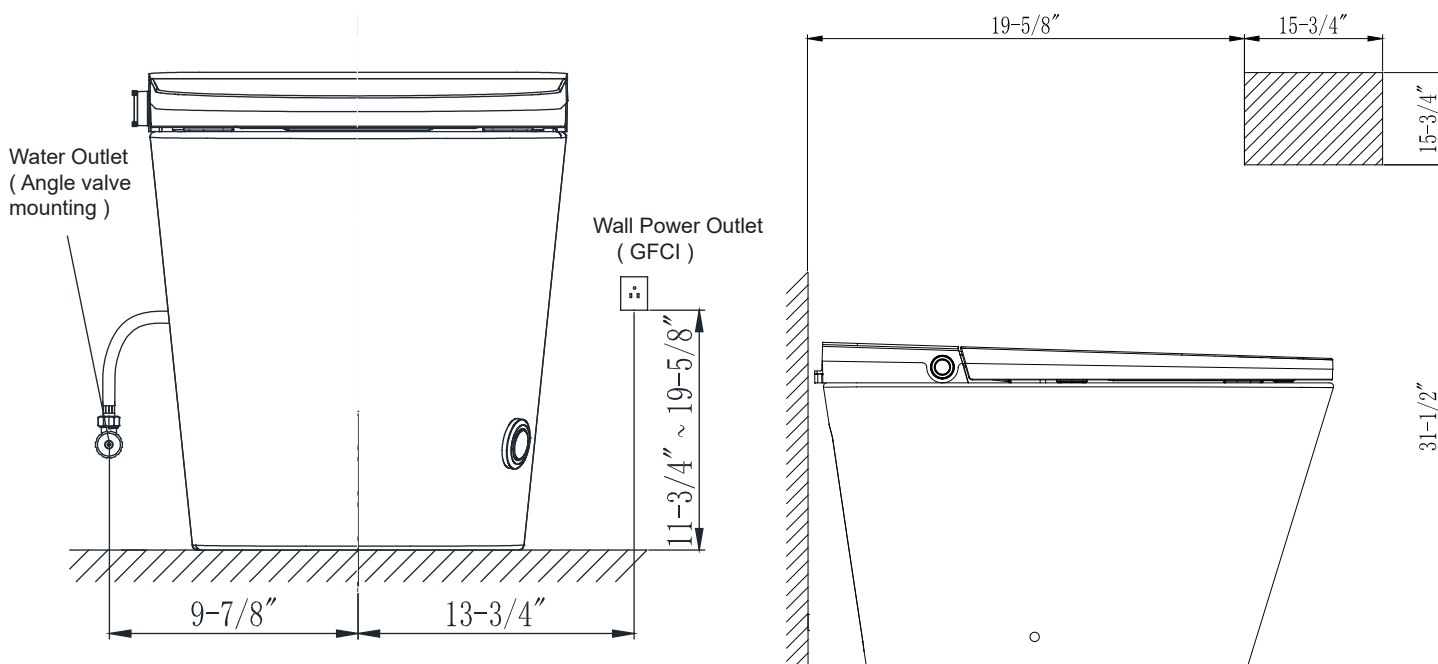
- Please measure the dimension of 12" before installation .
- Please measure the distance of the sewage pipe from wall .
- The above two dimensions must match each other .
- The pictures in the installation manual are schematic diagrams .

## 4 Installation preparation

### Installation Option

Before installation, make sure the water and power supply equipped in the toilet installation area

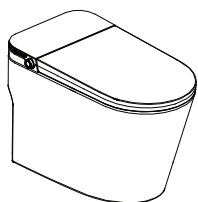
Remote installation area



**Need to purchase 10 pieces of AA batteries for backup battery box and 2 pieces of AAA batteries for the remote control.**

### TOILET COMPONENTS

During unpacking the product and prior to installation inspect your new product for any damages or missing parts. Do not attempt to install or operate the product if the product is damaged.



Main Unit



Sealing Flange



Remote controller components



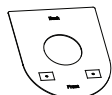
L-Bracket components (two pieces)



Valve



Hose



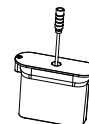
Installing templates



Fliter



PE pipe



backup battery box (without batteries)

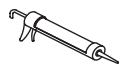
### TOOLS REQUIRED FOR INSTALLATION



Soft Cloth or Blanket



Silicone



Silicone/Caulk Gun



Tape Measure



Pencil/Marker



Safety Glass



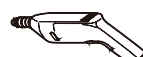
Knife



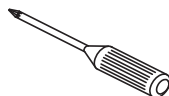
Adjustable Wrench



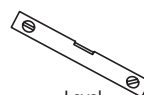
Channel Lock Pliers



Drill



Phillips Screwdriver



Level



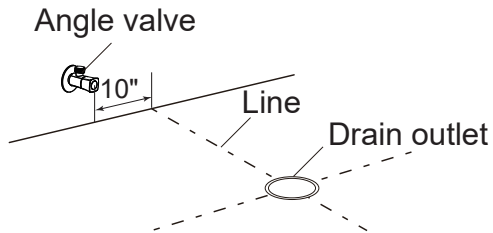
Putty Knife

OTHER TOOLS MAY BE REQUIRED

# Installation of ceramic toilet

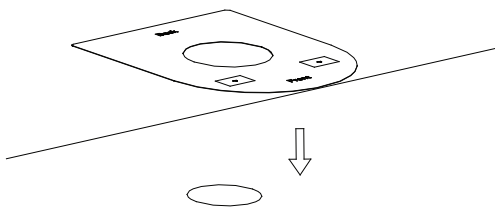
## 1. Water supply angle valve installation

- Draw drain outlet centerline on the floor, install angle valve at proper position on wall according to dimension of toilet. 10" off center is preferred.

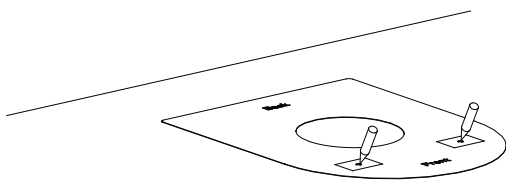


## 2. Drill the set screw hole

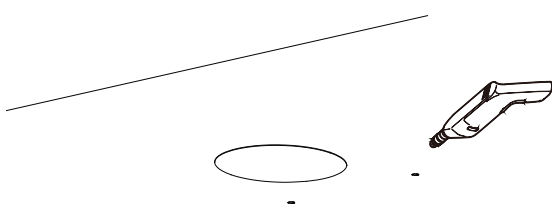
- Put down the installing template .



- Mark the set screw hole .

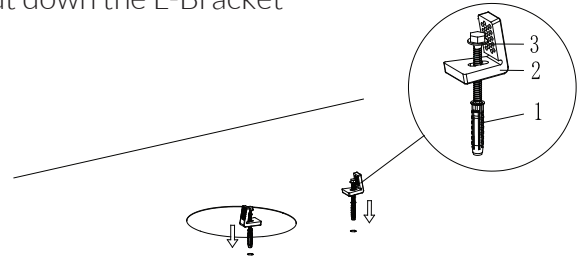


- Remove the template
- Drill the set screw holes (diameter 10 mm)

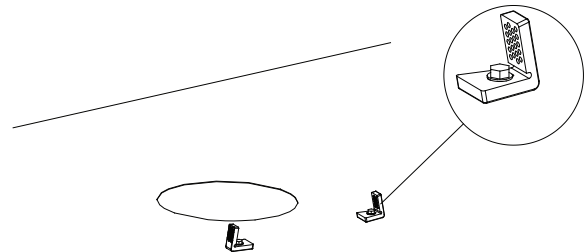


## 3. The L-Bracket installation

- Insert two expansions into the hole
- Put down the L-Bracket

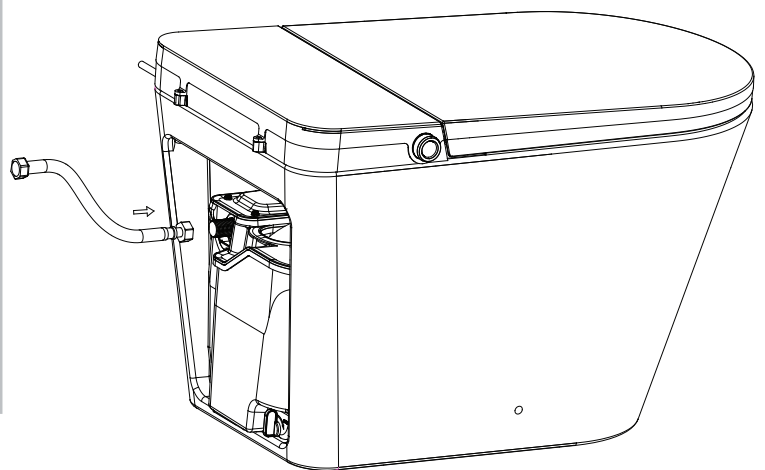


- Tighten the screws



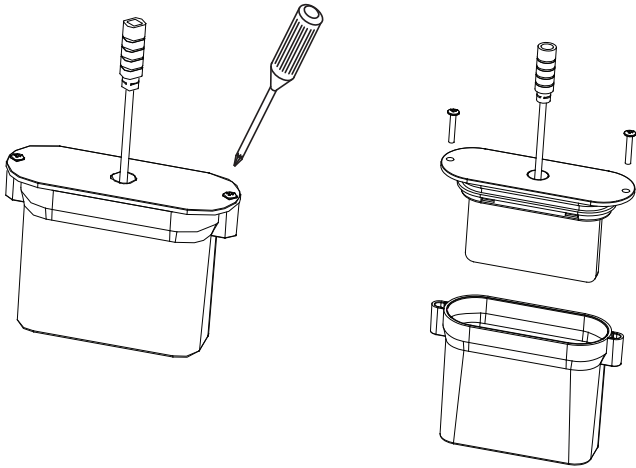
## 4. Installation of hose

- Connect water inlet and angle valve with new hose.

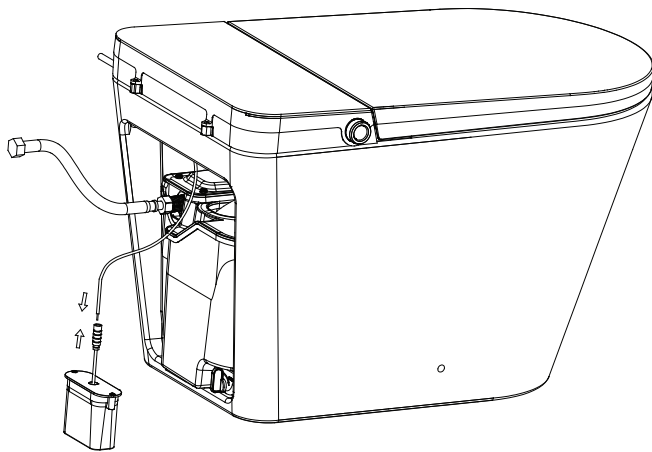


### 5. Installation of Backup battery

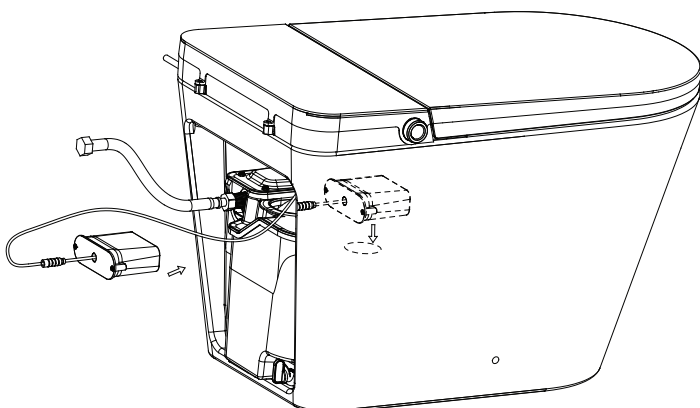
- Remove the screw with a Phillips screwdriver



- Correctly install 10 pieces of AA batteries.  
**Be careful not to install the positive and negative poles of the battery upside down.**
- Tighten the screws .
- Connect the backup battery box to the main unit.

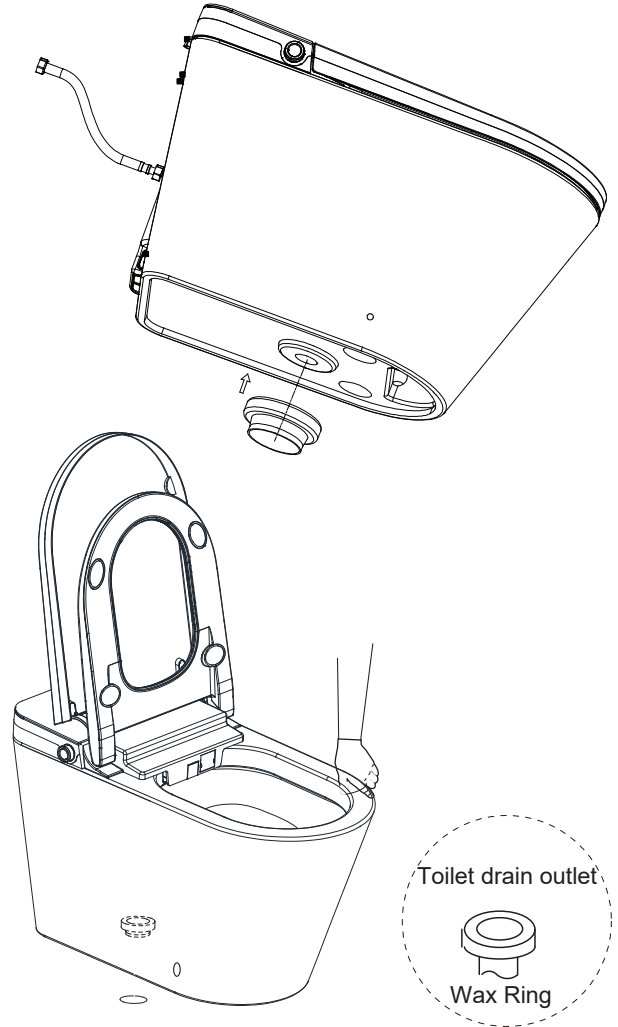


- Place the backup battery inside the ceramic and make the Velcro sticks together.



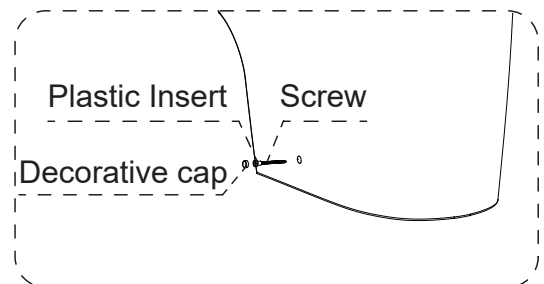
### 6. Ceramic toilet installation

- Install wax ring onto drain outlet of toilet.
- Carefully lower toilet into place directly according to the outline position.



Attention:

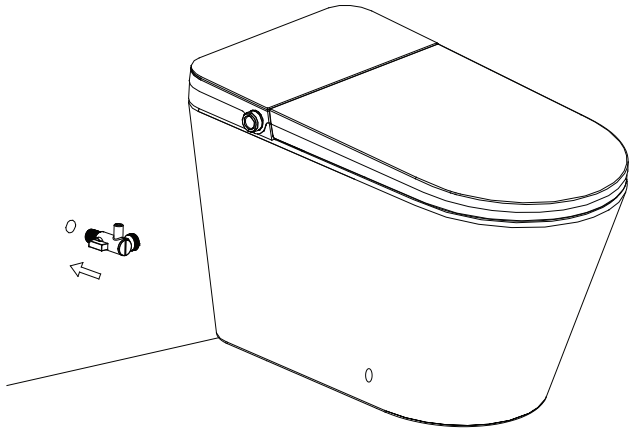
This toilet is team-lift recommend, also seat should be in open position to aid in installation.



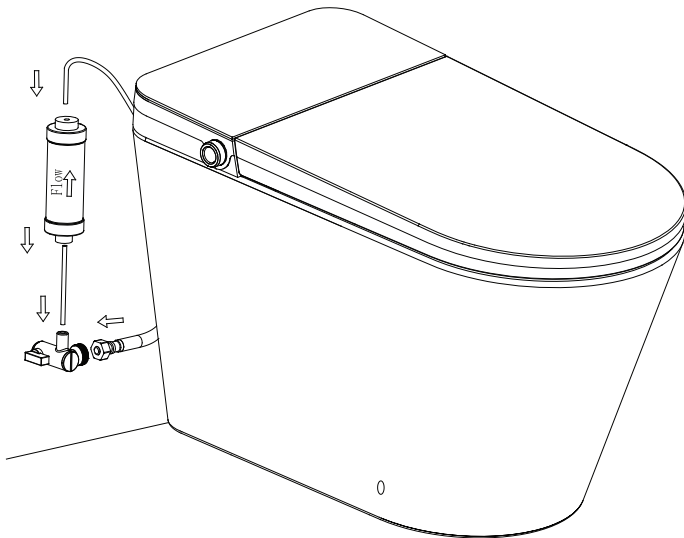
- Install Screw through Plastic Insert and into the opening on the side of the toilet. Tighten Screw into L-Bracket being careful not to over tighten.

### 7. Waterway installation

- Install the valve.



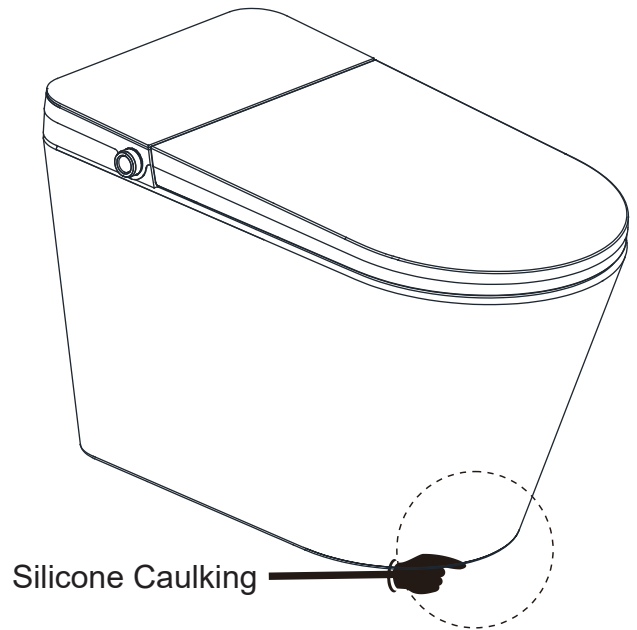
- Insert the PE pipe into the valve and tighten it.
- Insert the PE pipe into the filter.  
**The direction of water flow must be consistent with the marking on the filter.**
- Insert the PE pipe of the main unit into the filter.



- At last install the hose of the main unit.

### 8. Silicone caulking application

- Apply Silicone caulking to the edge of toilet base, wipe away any excess.



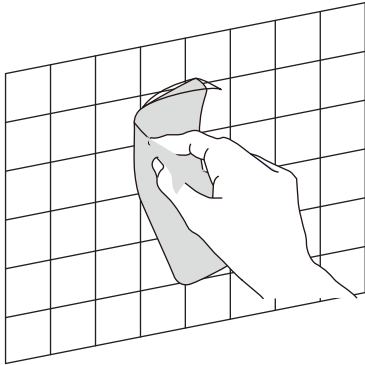
Silicone Caulking

Note:

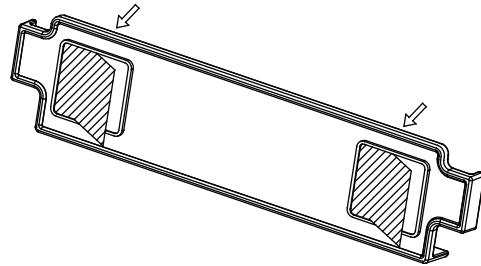
Please clean the drain outlet;  
Please make sure ceramic toilet outlet sits perfectly on drain outlet.

## Installation of remote control

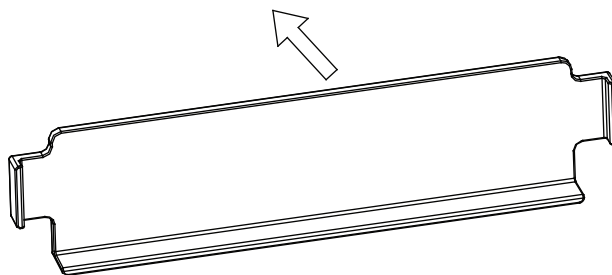
1.Clean the wall



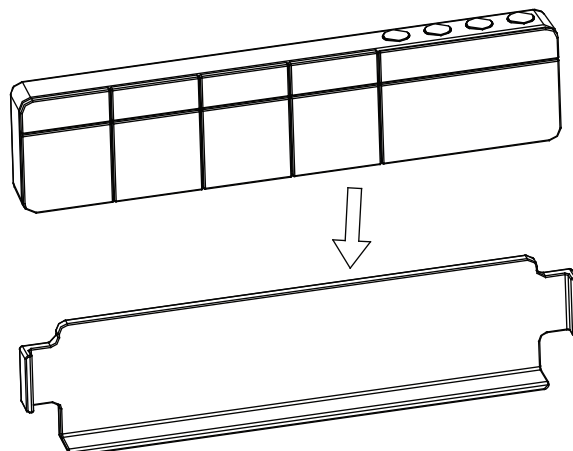
2.Remove the sticker



3.Press the fixed frame to the wall .



4.Put into the remote control .



Thank you for choosing our product.Please read the instructions carefully before installation and keep it available for future maintenance or reference.

# Functional inspection

## 1. Turn on the angle valve

Check thread connection, make sure no leakage is found.

## 2. Power Connection

- Insert power line leakage protection plug into the power socket, press the reset switch, plug indicator lights on indicating that the power is on.

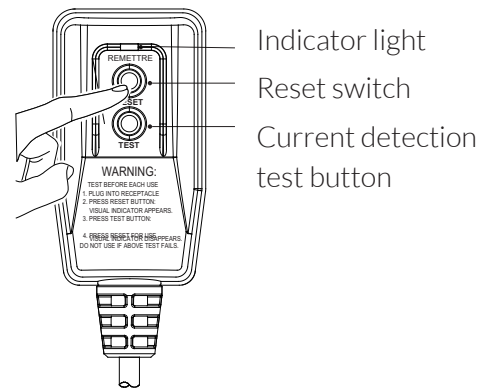
### Tips:

Press electric leakage test button prior to usage, the reset switch pops up indicating that the leakage protection function is normal.

Press the TEST button (then RESET button) every month to assure proper operation.

\*Suitable for the product with leakage protection plug.

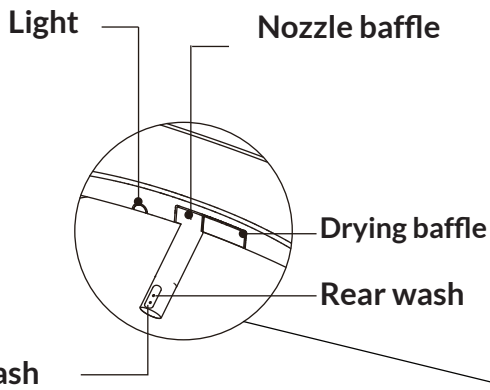
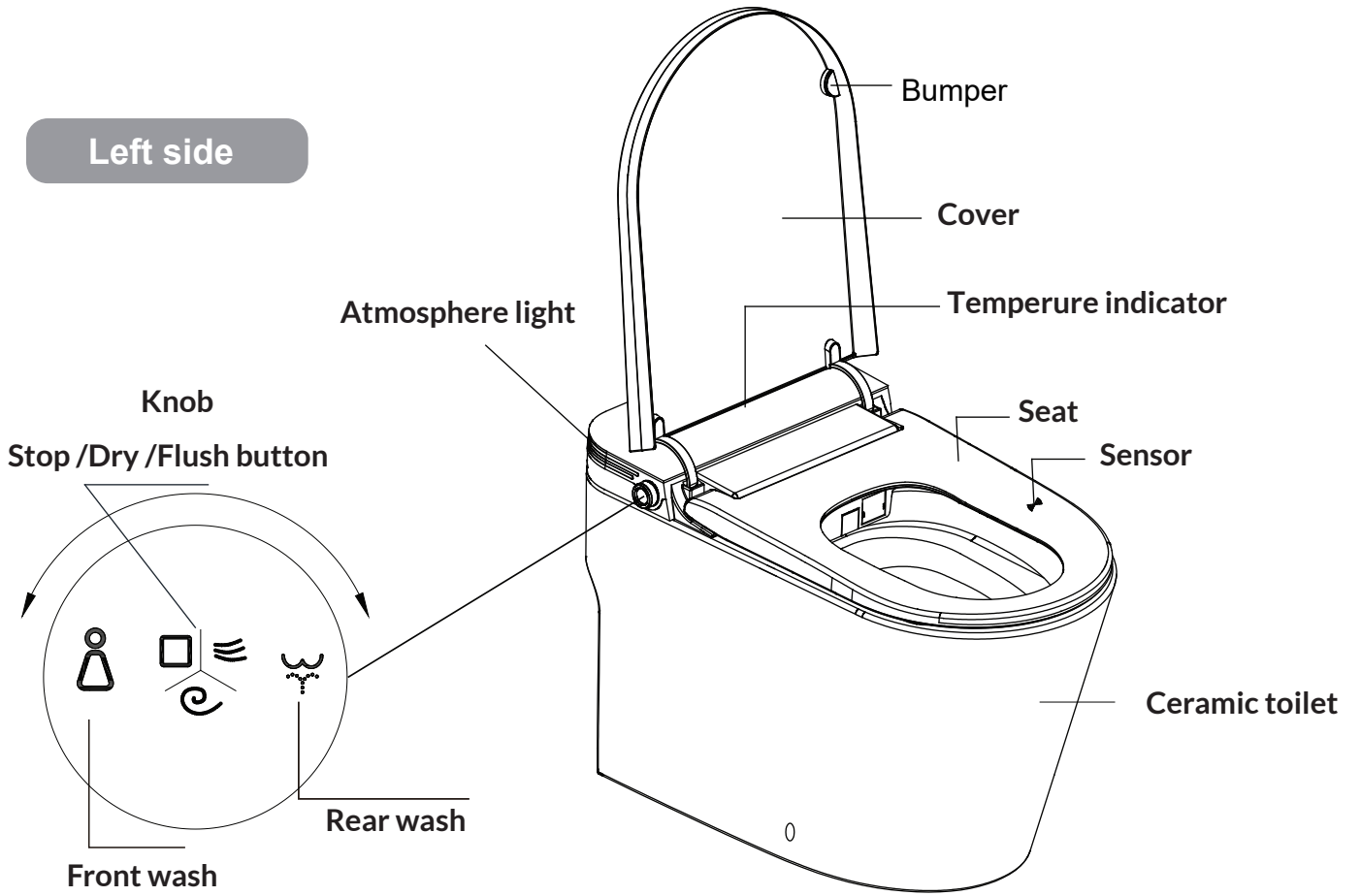
\*Please refer to the actual product.



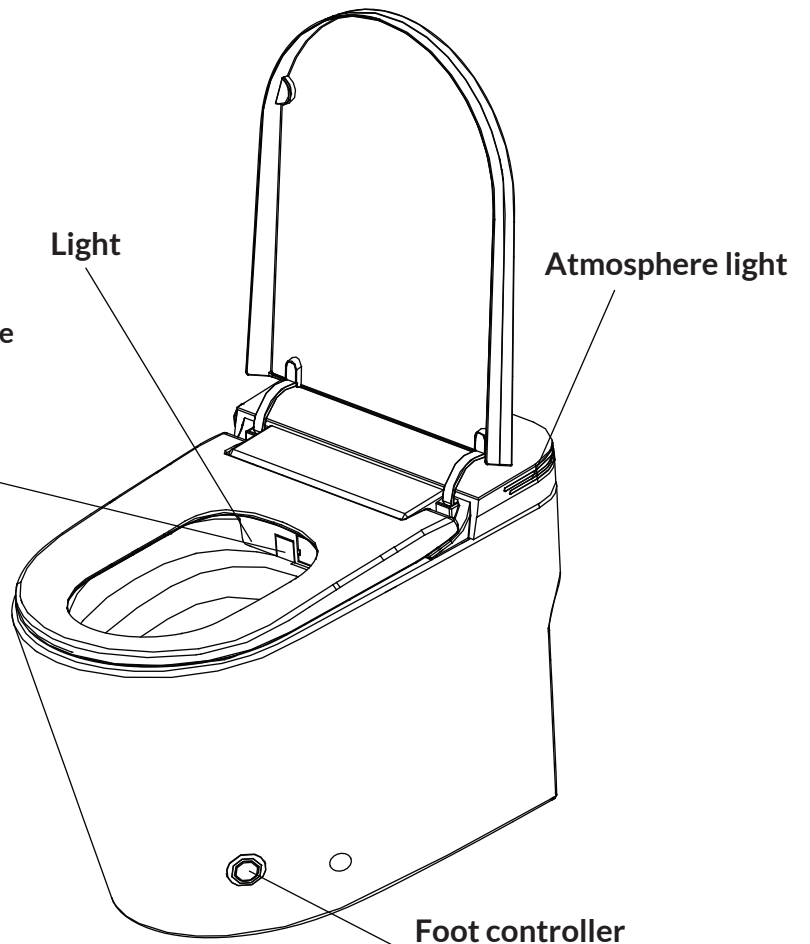
## 3. Self-inspection

1. The main unit buzzer rings first "click", power indicator (POWER) and Energy-conservation indicator (ENERGY SAVER) flash. Power indicator lights on and Energy-conservation indicator gets off to start self-inspection.
2. The main unit buzzer rings second "click" to indicate finish of self-inspection, power indicator lights on, and Energy-conservation indicator keeps off.
3. Start function mode for normal usage.

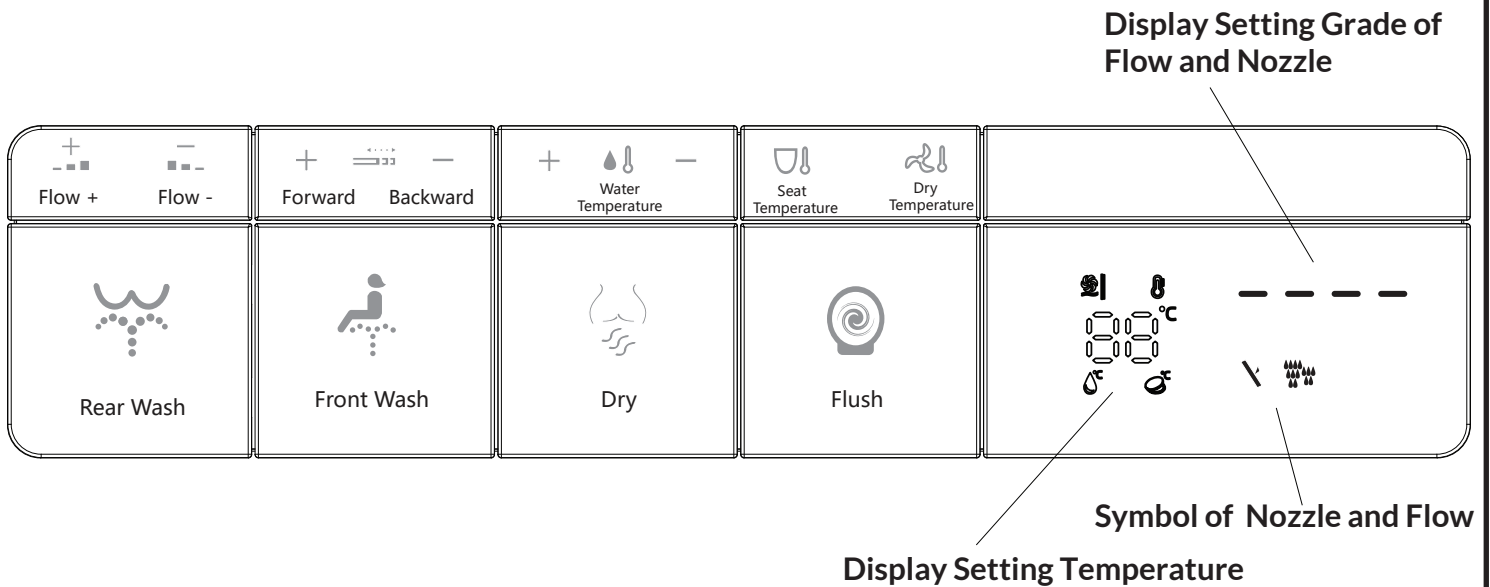
Left side



Right side



## Remote Control Introduction



**Rear Wash**

**Be seated.**

Press this button then the water comes out of wand to clean the rear/front portion of body. It automatically stops after a cycle of cleaning.



**Front Wash**



**Drying**

**Be seated.**

Press this button then it will begin to dry. It automatically stops after a cycle of drying.



**Flush**

Press this button then it will begin to flush.



**Flow +/-**

During washing press this button then the water flow will be Increase or decrease



**Forward  
Backward**

During washing press this button then the nozzle will extend forward / backward



**Water  
Temperature**

Press this button then the seat temperature will be changed. There are four grades.



**Seat  
Temperature**

Press this button then the seat temperature will be changed. There are four grades.



**Dry  
Temperature**

Press this button then the air temperature will be changed. There are four grades.

# Remote Control Introduction



**Open / close cover**

**Not be seated.**

Press this button then the cover will open.  
Press this button again the cover will close.  
Not be seated it automatically closes after about 150 seconds.



**Open / close Seat**

**Not be seated.**

Press this button then the seat will open.  
Press this button again the seat will close and flush.



**Light**

Press this button to turn on or off the light and atmosphere light



**Stop**

Press this button then it will stop working.  
Keep pressing this button then the power will be off .  
Keep pressing this button again then the power will be on .

## Pre-wetting ceramic setting

- By default, when seated it will pre-wet the ceramics .
- If the function of pre-weting needs to be turned off, please proceed as follows.

1. Keep pressing the **“Stop”** button for 5 seconds . It will enter setup mode. The display screen is off.
2. Then release this button and immediately press the **“Rear Wash”** button .  
Hearing a beep indicates shutdown this function.  
If press the **“Rear Wash”** button again , then hear tow beep indicates turn on this function.

**Pressing this button must be completed within 5 seconds .**

3. Keep pressing the **“Stop”** button for 5 seconds again. It will quit setup mode. The display screen is on.



Press



## Temperature unit setting

- If needed to change the temperature unit as centigrade and fahrenheit, please proceed as follows.

1. Keep pressing the **“Stop”** button for 5 seconds . It will enter setup mode. The display screen is off.
2. Then release this button and immediately press the **“Seat temperature”** button .  
Hearing a beep it will be in fahrenheit degrees.

If press the **“Seat temperature”** button again . Hearing tow beep it will be in centigrade degrees.

**Pressing this button must be completed within 5 seconds .**

3. Keep pressing the **“Stop”** button for 5 seconds again. It will quit setup mode. The display screen is on.



Press

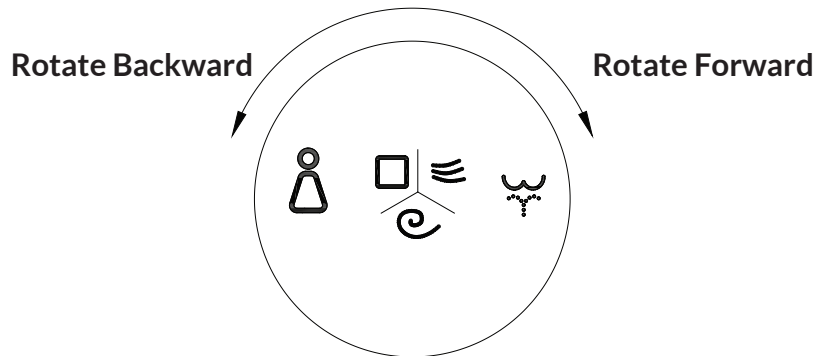


## NOTE:

The host display screen can display only two digits.

When the set temperature is greater than 99 Fahrenheit degrees, only display 99 .

## The introduction of main unit keys



**Rear wash**

Be seated then rotate the knob in the clockwise direction



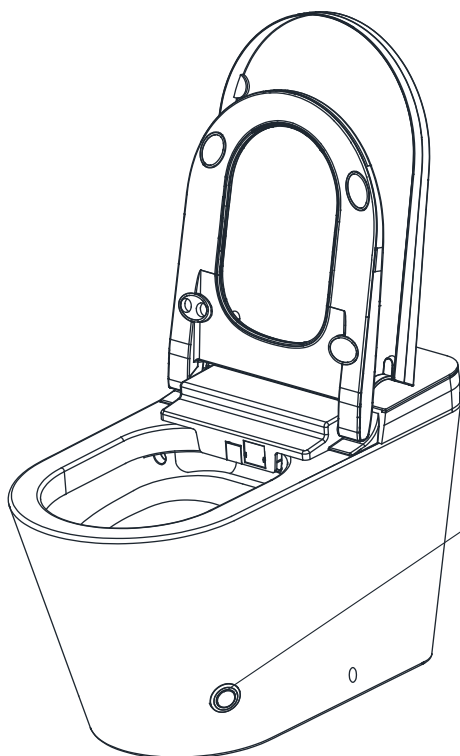
**Front wash**

Be seated then rotate the knob in the anticlockwise direction



**Stop /Dry/ Flush**

Press it to stop washing or drying.  
 Not be washing or drying , press it to flush the toilet.  
 Not be seated keep presing the knob ,it will be power off.  
 Then the remote control will not be able to be used.  
 Keep pressing again ,it will be power on again .



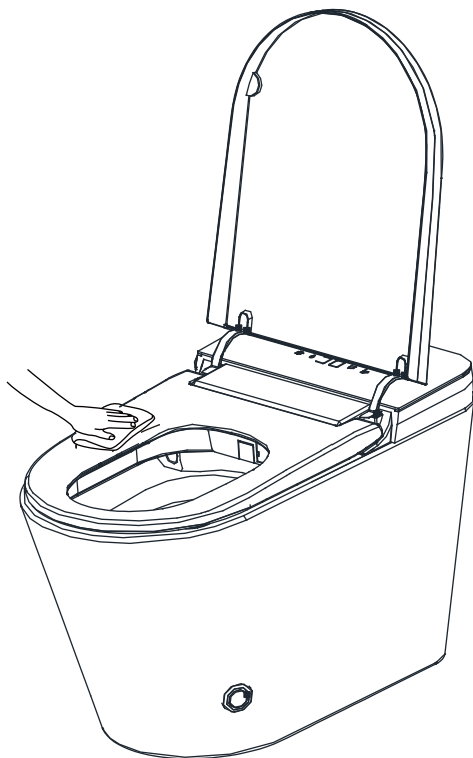
**Foot controller**

When the foot is close to it , the cover will be opened .  
 When close to it again , the seat will be opened.  
 When close to it the third time , the cover and seat will be closed and flush

# Daily maintenance

## Main unit care and maintenance

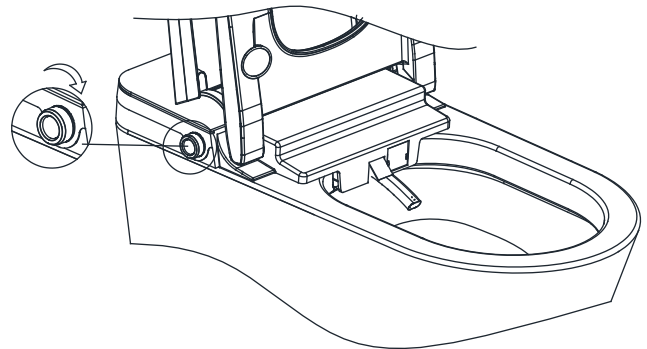
1. Shut off power supply at maintenance.
  
2. Turn the seat upward open,  
Use soft cloth or soft brush to clean



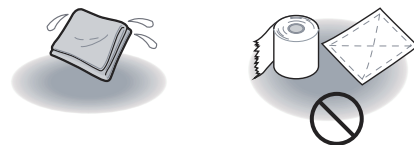
3. After cleaning, re-connect the toilet with the power supply.

## Spray nozzle maintenance and care

1. Nozzle self-cleaning  
The nozzle will be cleaning automatically before washing and after washing
  
2. Nozzle manual-cleaning  
Open the cover and seat, then rotate the knob in the clockwise direction.  
The nozzle will extend forward.



3. Use soft cloth or soft brush to clean  
Do not pull or push the nozzle, to avoid damage.



4. Stop cleaning  
Press the knob then the nozzle will go back.

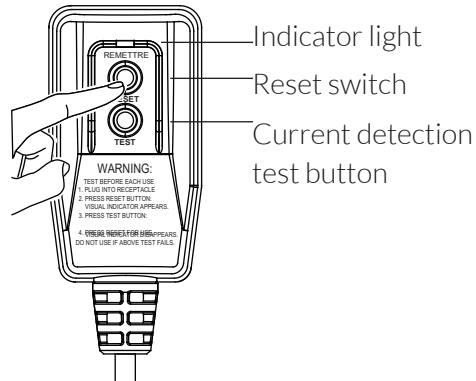
## Troubleshooting Guide

Problem	Cause	Solution
Product does not work	1. Power does not turn on?	Please turn on the power
	2. Water is not turned on?	Please open the water inlet valve, or confirm whether the tap water is stopped
	3. Not be seated	Please sit on the seat and adjust your posture
Nozzle suddenly retract	1. The wash cycle is about 90 seconds, after which the water spray will automatically stop and the nozzle will return	This is normal, if you need to wash again, please press the wash button again
	2. Abnormal water intake	Please confirm whether the tap water is out of water
	3. Leaving seat detected	Please adjust your posture
low wash pressure	1. Whether the water pressure is set to low?	Please increase the water pressure
	2. Inlet water pressure is low	Please confirm that the tap water inlet pressure cannot be lower than 0.07Mpa
Washing water temperature is low	Whether the water temperature in remote is set low?	Please reset the appropriate water temperature
drying temperature is low	Is the air temperature setting of the remote control low?	Please reset the appropriate heater temperature
the seat temperature is low	1. Whether the seat temperature of the remote control is set to a low level?	Please reset the appropriate seat temperature
	2. Product is in power saving mode	Please be seated and start wash, exit power saving mode
night light off	Night light function is set to off?	The night light will not turn on when the mode is off. Please adjust the night light mode
night light stays on	Night light function is set to always on?	In the always-on mode, the night light will always be on. Please adjust the night light mode
Improper flushing function	The water supply has stopped or the tank is being refilled	Wait for the water supply to be restored, and the water tank can be flushed again after the water supply is completed
Remote control doesn't work	1. Is the battery power low?	Replace with new batteries
	2. The remote control receiving window is covered by metal?	Please remove the metal shield

# Emergency Troubleshooting

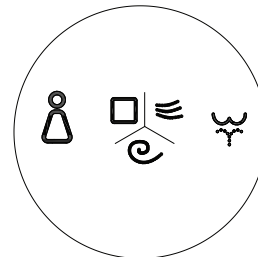
## 1. Power failure of product

- Press the reset switch



If there is power failure in the home ,all other functions except for the flushing cannot be used. If the flushing cannot be used at this time, please replace the backup batteries. Please see next page.

If the light of knob is on and the remote control is fail . Maybe entering standby mode. Please keep pressing the knob to quit standby mode . Then the display restore normal display temperature and the remote control is normal.



Keep pressing knob to quit standby mode

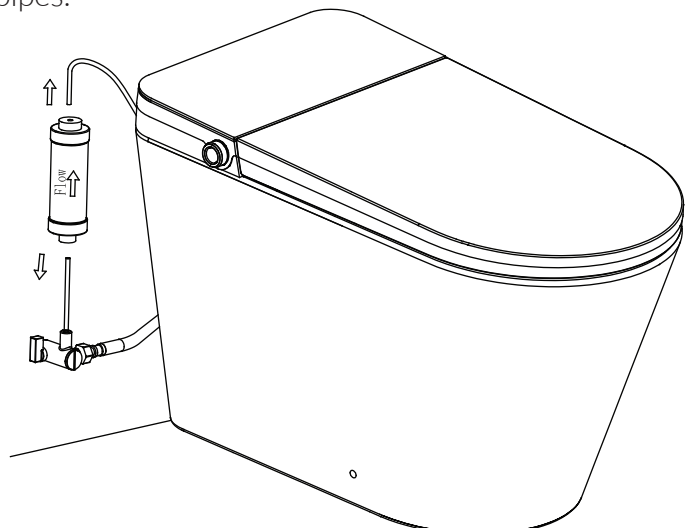
## 2. Water failure

- Be sure the valve is open.
- Put around 8L water into a barrel and flush the bowl of ceramic.
- All other functions are normal except for rear wash and front wash .  
Maybe the filter has been clogged due to prolonged use. Must be replaced with a new filter.

1. Close the valve .
2. Press and hold the filter head ,then pull out the PE pipes.
3. Insert the PE pipes into the new filter.

**The direction of water flow must be consistent with the marking on the filter.**

4. Open the valve .

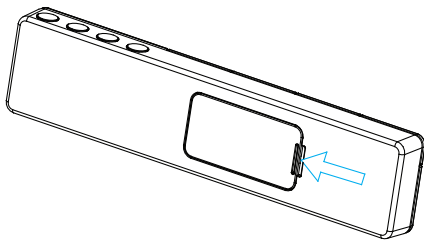


### Failure of remote control

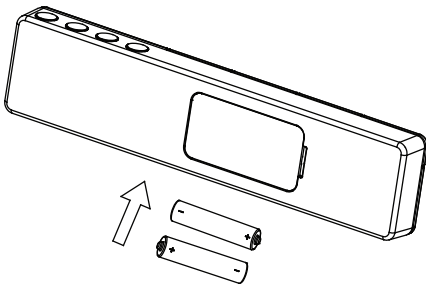
1. Operate the knob on bidet seat to perform.

### 2. Battery replacement

- Remove the cover of the remote control



- Put into two pieces of new AAA batteries, then reinstall the cover



### 3. ONE-ON-ONE Setting

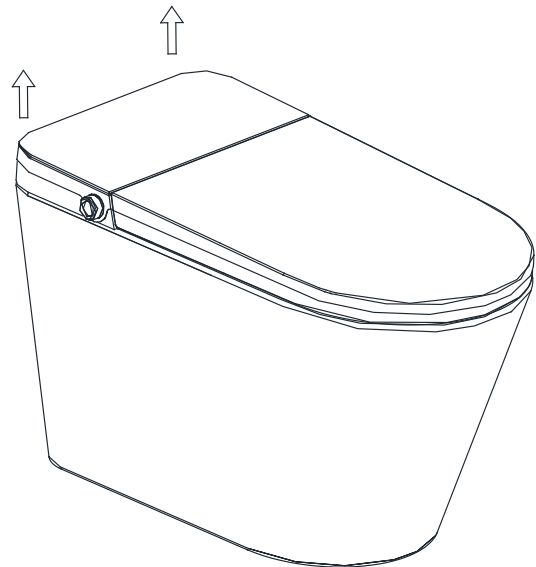
If it still doesn't work after replacing the batteries, please proceed as follows.

1. Unplug the power plug. Plug the power plug again after about 1 minute.
2. Immediately keep pressing the "Front Wash" button on the remote control. There is a "beep" when the remote control connect to the smart toilet.

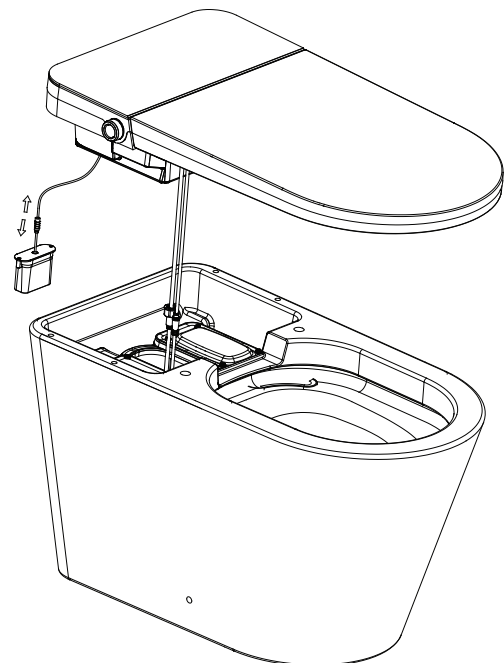
### Failure of flushing at the power failure

### Replace the backup battery

- Put up the electronic bidet from hind side



- Take out the battery box



- Replace 10 pieces of new batteries into the box  
Please see page 8th "Installation of Backup battery"

## Product Limited Warranty

Model No.		Customer Name	
Seller:		Purchasing Date:	
Invoice No.		Customer contact:	
Distributer Stamp		Distributer Phone	

Thank you for choosing our product. This product is warranted for one(1)year since the purchasing date for free repair of problems arising out of defects in workmanship while using in accordance with installation manual and usage cautions for intended purposes.

If the product does not work properly with warranty period, please contact your nearest service center or seller. This certificate must be presented to obtain free service under this warranty.

Our company reserves the rights to replace the product by other similar models. We can serve to fix or repair the product at a reasonable service charge, after expiration of warranty period.

Service charges shall be paid even during the warranty period, if breakage or damage is caused by any of the following events(including but without limitation)

1. The user's negligence or mistake in operation, unreasonable repair or alteration.
2. Product are damaged by negligence or mistake during installation
3. The movement of installation location of the product.
4. Using the product outside of intended use in residential housing or commercial hotels
5. The use of non specified powersupply(voltage, rating pressure)
6. The dirt, sand and impurities that causing invalid operation.
7. Damages due to force majeure(including but not limitation to natural disaster) or other incidents.
8. The user fails to use in compliance with the warning or caution described in the installation manual .

### Remark

Please fill in date, seller correctly. If there are some mistakes, the warranty will get invalid. This one year warranty for free of charge of repair service is only for the items listed in the warranty.

The purchasing date is subject to the purchasing invoice or receipt.

Please keep this warranty and invoice/receipt available for repair or maintenance.