
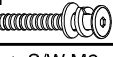
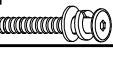


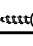



# ASSEMBLY INSTRUCTIONS

## MODEL : LOUNGE CHAIR

- IMPORTANT NOTE :**
- \* PLACE ALL WOODEN PARTS ON A CLEAN AND SMOOTH SURFACE SUCH AS A RUG OR CARPET TO AVOID THE PARTS FROM BEING SCRATCHED.
  - \* BEFORE YOU BEGIN, KINDLY FOLLOW THE ASSEMBLY INSTRUCTIONS STEP BY STEP.
  - \* DO NOT TIGHTEN ALL SCREWS UNTIL THE CHAIR IS FULLY SET-UP.

HARDWARE LIST		PART LIST	
A	JCBC M6 x 30mm + S/W M6 + F/W M6 x 13mm 	4PCS	1 RIGHT SIDE FRAME 1PC 2 LEFT SIDE FRAME 1PC
B	JCBC M6 x 50mm + S/W M6 + F/W M6 x 13mm 	2PCS	3 FRONT STRETCHER 1PC 4 BACK STRETCHER 1PC
C	JCBC M6 x 55mm + S/W M6 + F/W M6 x 13mm 	2PCS	5 TOP REST 1PC 6 CUSHION SEAT 1PC
D	ALLEN KEY M4 	1PC	
E	L BRACKET 	4PCS	
F	PH SCREW M4 x 12mm 	8PCS	
G	WOOD DOWEL M8 x 25mm 	2PCS	

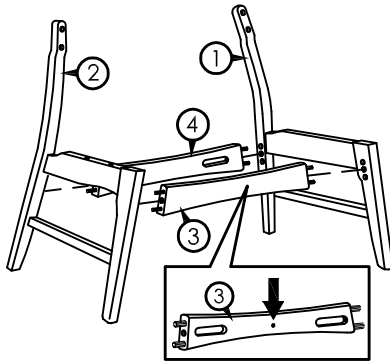
### CAUTIONS :

(1) **DO NOT FULLY-TIGHTEN THE NUT OR NUT BOLTS INITIALLY UNTIL ALL NUTS OR BOLT IS READY ASSEMBLED.**

(TO AVOID CAUSING DAMAGES TO THE THREAD, DO NOT OVER-TIGHTEN THE NUTS OR BOLTS.)

(2) **KEEP ALL HARDWARE PART OUT OF REACH OF CHILDREN.**

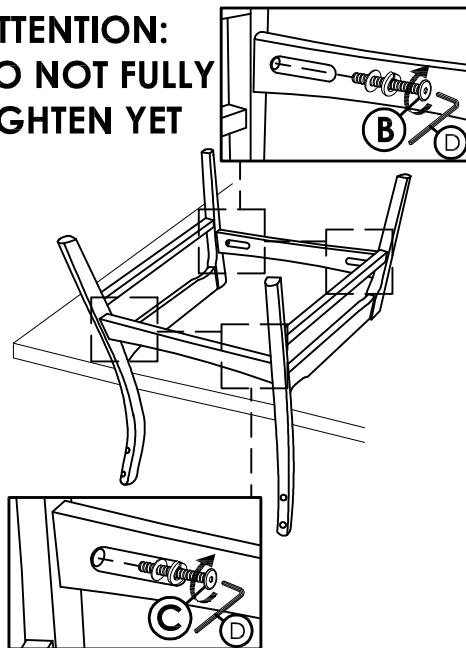
### STEP 1



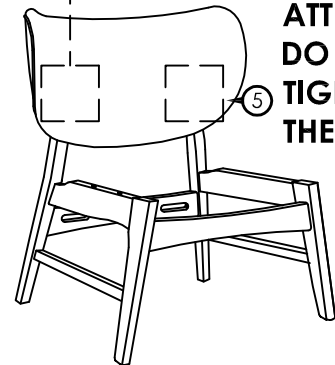
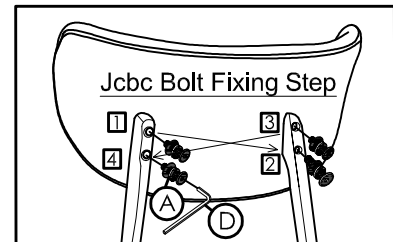
Front Stretcher has a small hole for identification.

### STEP 2

**ATTENTION: DO NOT FULLY TIGHTEN YET**



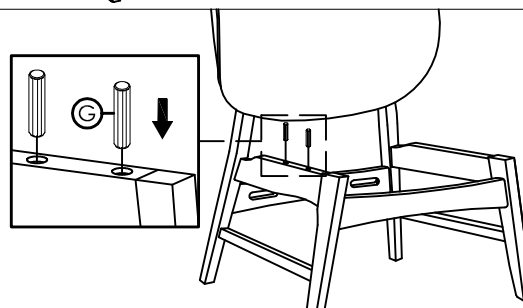
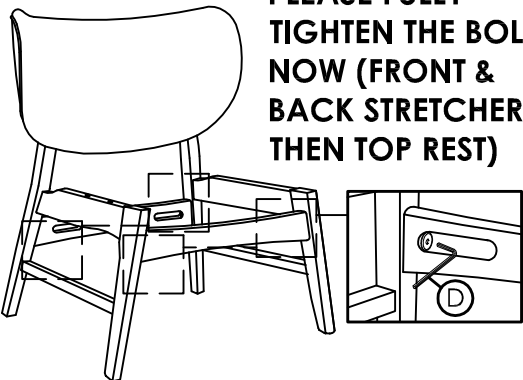
### STEP 3



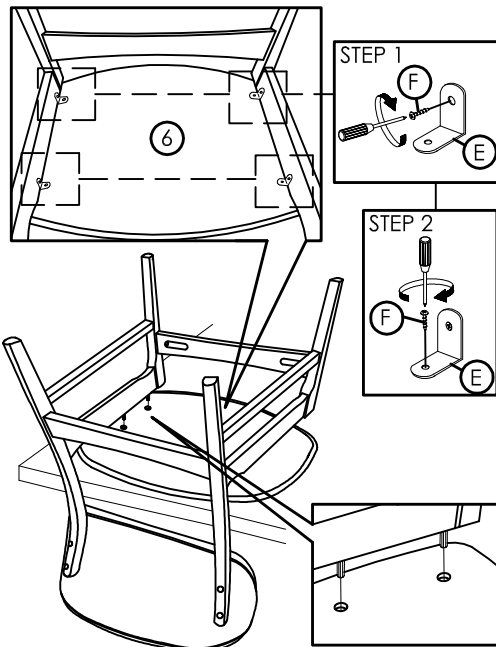
**ATTENTION: DO NOT FULLY TIGHTEN THE BOLT**

### STEP 4

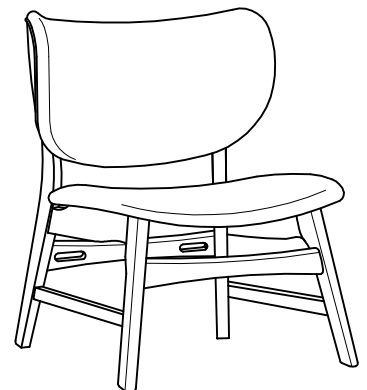
**ATTENTION: PLEASE FULLY TIGHTEN THE BOLT NOW (FRONT & BACK STRETCHER THEN TOP REST)**



### STEP 5



### STEP 6



COMPLETED LONG CHAIR ASSEMBLY.