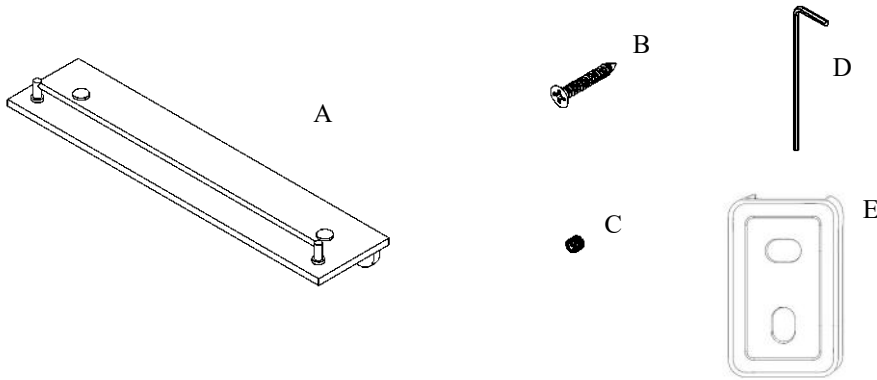


# Glass Shelf Installation Guide



| Parts Included  | QTY |
|-----------------|-----|
| A - Glass Shelf | 1   |
| B - Screw       | 4   |
| C - Set Screw   | 2   |
| D - Allen Key   | 1   |
| E - Bracket     | 2   |

| Description | Finish         | Weight (lb) | WxHxD (mm)     | WxHxD (Inches)   | Metal Type |
|-------------|----------------|-------------|----------------|------------------|------------|
| Glass Shelf | Chrome         | 3.30        | 520 x 97 x 133 | 20.4 x 3.8 x 5.2 | Brass      |
| Glass Shelf | Brushed Nickel | 3.30        | 520 x 97 x 133 | 20.4 x 3.8 x 5.2 | Brass      |
| Glass Shelf | Matte Black    | 3.30        | 520 x 97 x 133 | 20.4 x 3.8 x 5.2 | Brass      |

**Warranty:** 2 Years

**Care & Maintenance:** A periodic wash using warm water and a soft cloth will retain the high quality finish of your product for many years to come. ON NO ACCOUNT should any household bleaches, detergents, abrasive polishes, steel wool or other cleaning agents be used on this item.

