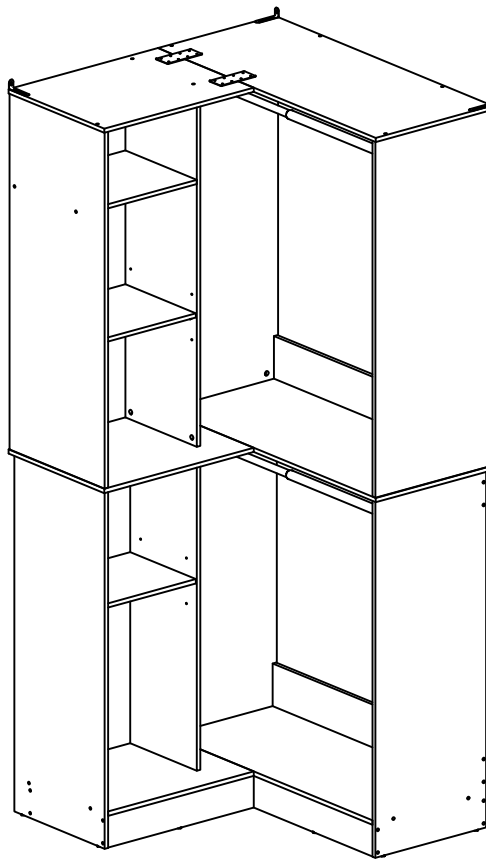


Corner Closet System with Shelves

Assembly Instructions

BO-YGCBCS_V1.0



Attention: Please ensure you have all parts before commencing assembly.
Please read all the instructions before commencing.

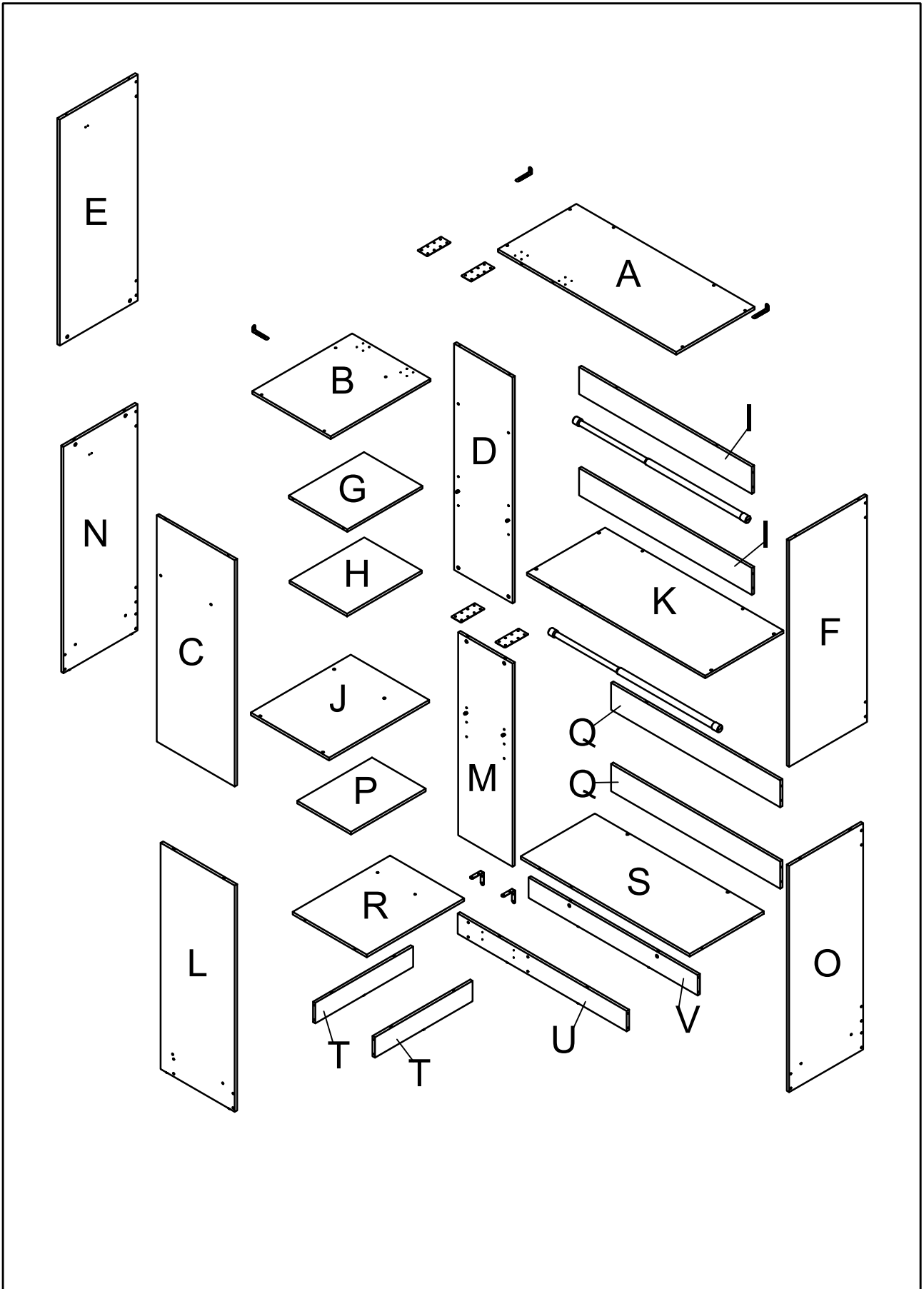
Have problems when installing or missing parts?

How to find us?

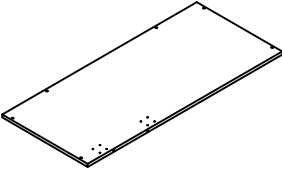
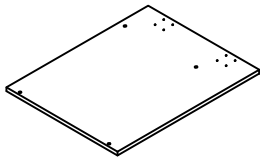
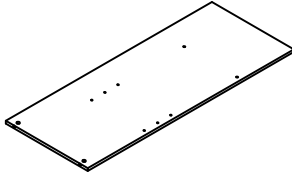
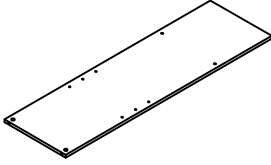
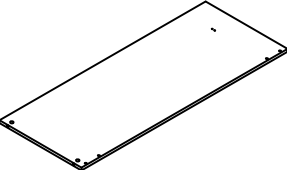
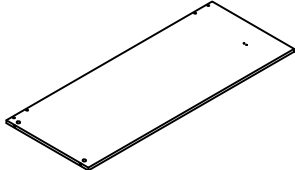
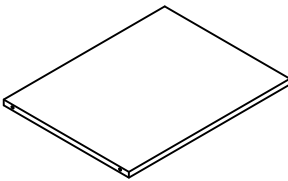
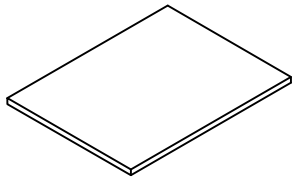
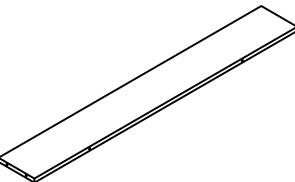
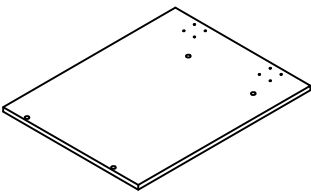
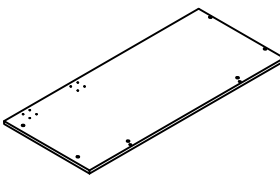
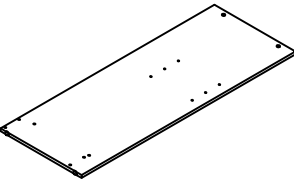
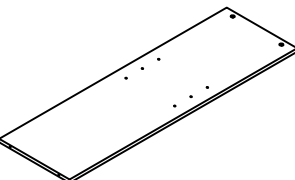
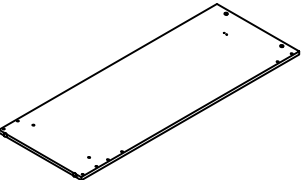
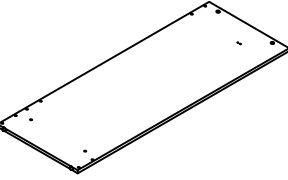
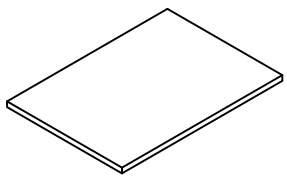
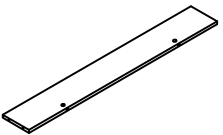
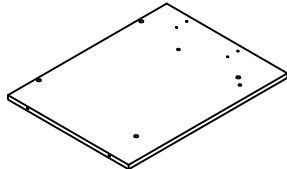
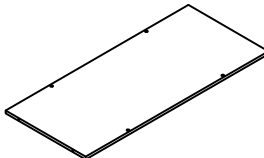
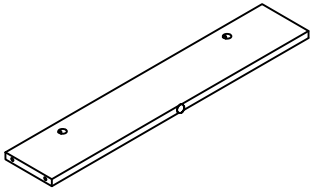
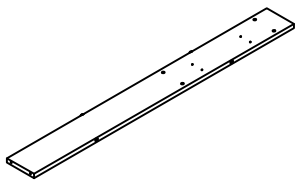
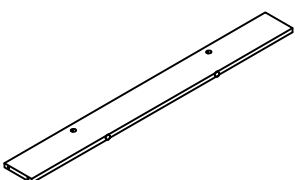


bettersp@hotmail.com

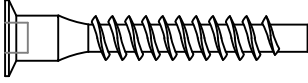
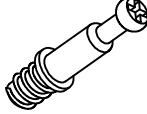

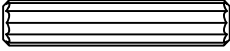
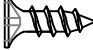

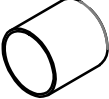

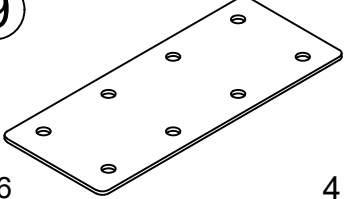
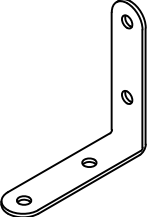

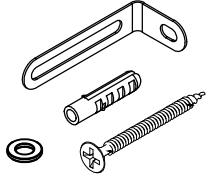
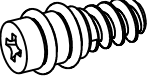
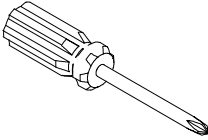
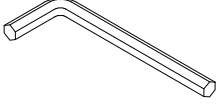
PART LIST



PART LIST

<p>A x 1pc</p> 	<p>B x 1pc</p> 	<p>C x 1pc</p> 	<p>D x 1pc</p> 
<p>E x 1pc</p> 	<p>F x 1pc</p> 	<p>G x 1pc</p> 	<p>H x 1pc</p> 
<p>I x 2pcs</p> 	<p>J x 1pc</p> 	<p>K x 1pc</p> 	<p>L x 1pc</p> 
<p>M x 1pc</p> 	<p>N x 1pc</p> 	<p>O x 1pc</p> 	<p>P x 1pc</p> 
<p>Q x 2pcs</p> 	<p>R x 1pc</p> 	<p>S x 1pc</p> 	<p>T x 2pcs</p> 
<p>U x 1pc</p> 	<p>V x 1pc</p> 		

HARDWARE LIST

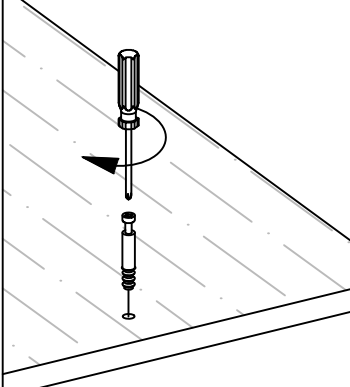
<p>①</p>  <p>M6x40</p> <p style="text-align: right;">56 pcs</p>	<p>②</p>  <p>M6x28</p> <p style="text-align: right;">28 pcs</p>	<p>③</p>  <p>Ø12</p> <p style="text-align: right;">28 pcs</p>
<p>④</p>  <p>M6x30</p> <p style="text-align: right;">6 pcs</p>	<p>⑤</p>  <p>M4x12</p> <p style="text-align: right;">8 pcs</p>	<p>⑥</p>  <p>56-101cm</p> <p style="text-align: right;">2 pcs</p>
<p>⑦</p>  <p style="text-align: right;">2 pcs</p>	<p>⑧</p>  <p style="text-align: right;">2 pcs</p>	<p>⑨</p>  <p>M6</p> <p style="text-align: right;">4 pcs</p>
<p>⑩</p>  <p>M6</p> <p style="text-align: right;">2 pcs</p>	<p>⑪</p>  <p>M3.5x12</p> <p style="text-align: right;">40 pcs</p>	<p>⑫</p>  <p>M4x40</p> <p style="text-align: right;">3 pcs</p>
<p>⑬</p>  <p>Ø7x19</p> <p style="text-align: right;">8 pcs</p>	<p>⑭</p>  <p style="text-align: right;">1 pc</p>	<p>⑮</p>  <p>M4</p> <p style="text-align: right;">1 pc</p>

Please count and verify all parts before assembly .

How to install Camlocks

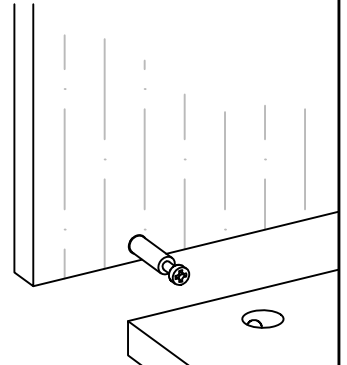
Connect the male camlock as directed in the assembly instructions with a screwdriver.

1 DO NOT OVER TIGHTEN



Put the male camlock into the entry hole.

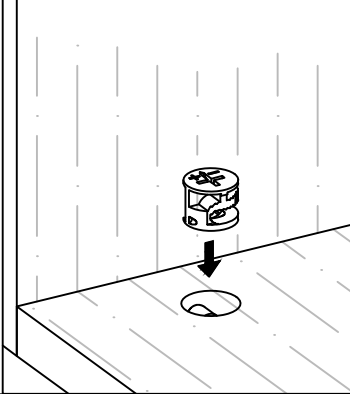
2



Insert the female camlock as shown in the instruction.

Note: ensure that the arrow on the top of the camlock points toward the entry hole for the male camlock.

3

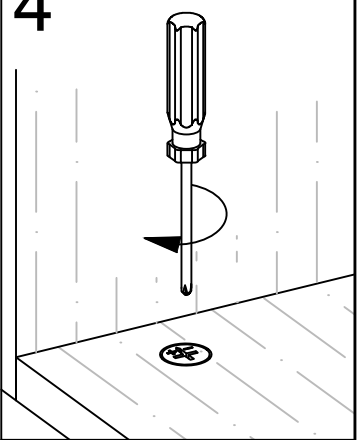


Screw the female camlock clockwise with a screwdriver.

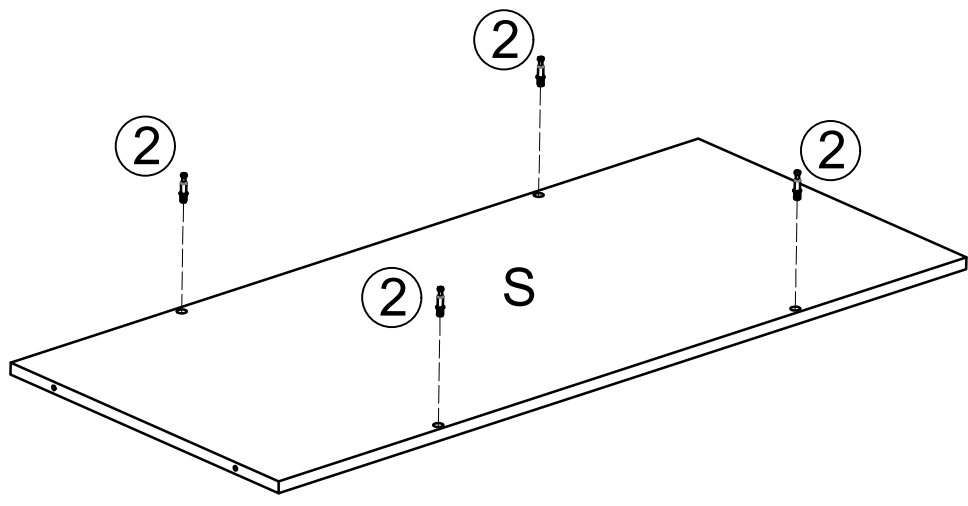
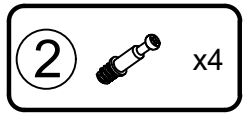
You will feel a click when the camlock is locked in place.

The camlock is now completed.

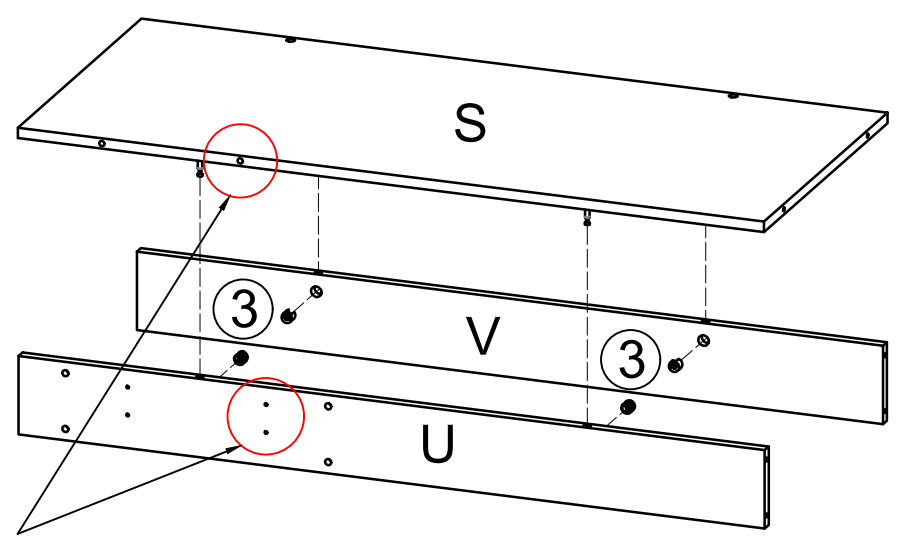
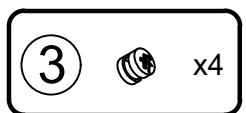
4



STEP 1

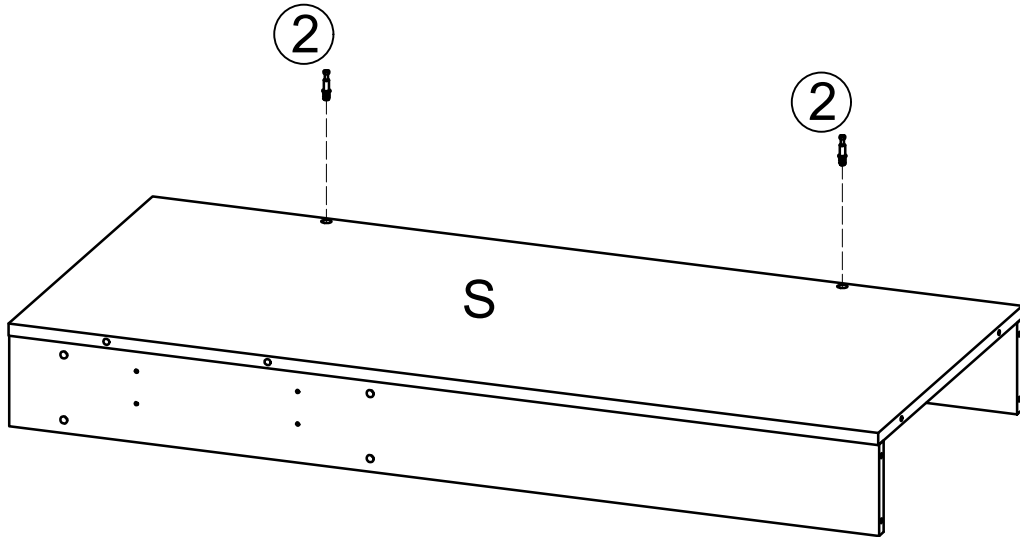
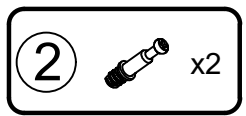


STEP 2

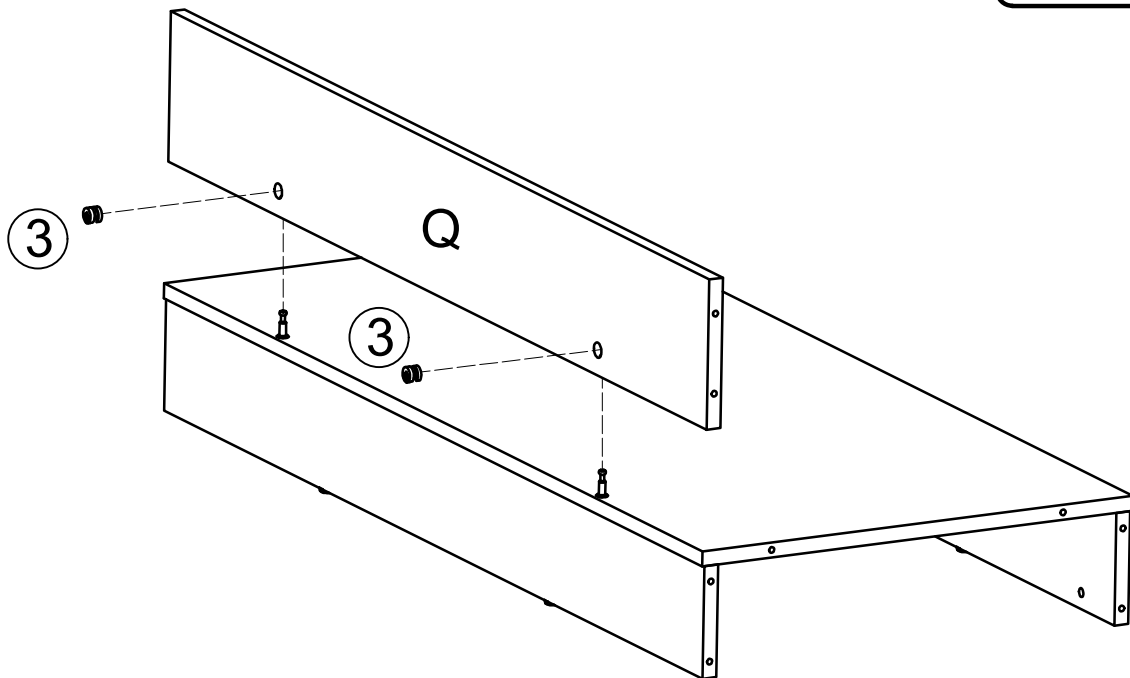
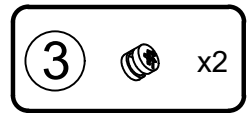


Keep the holes of the Part S and Part U toward this direction as shown

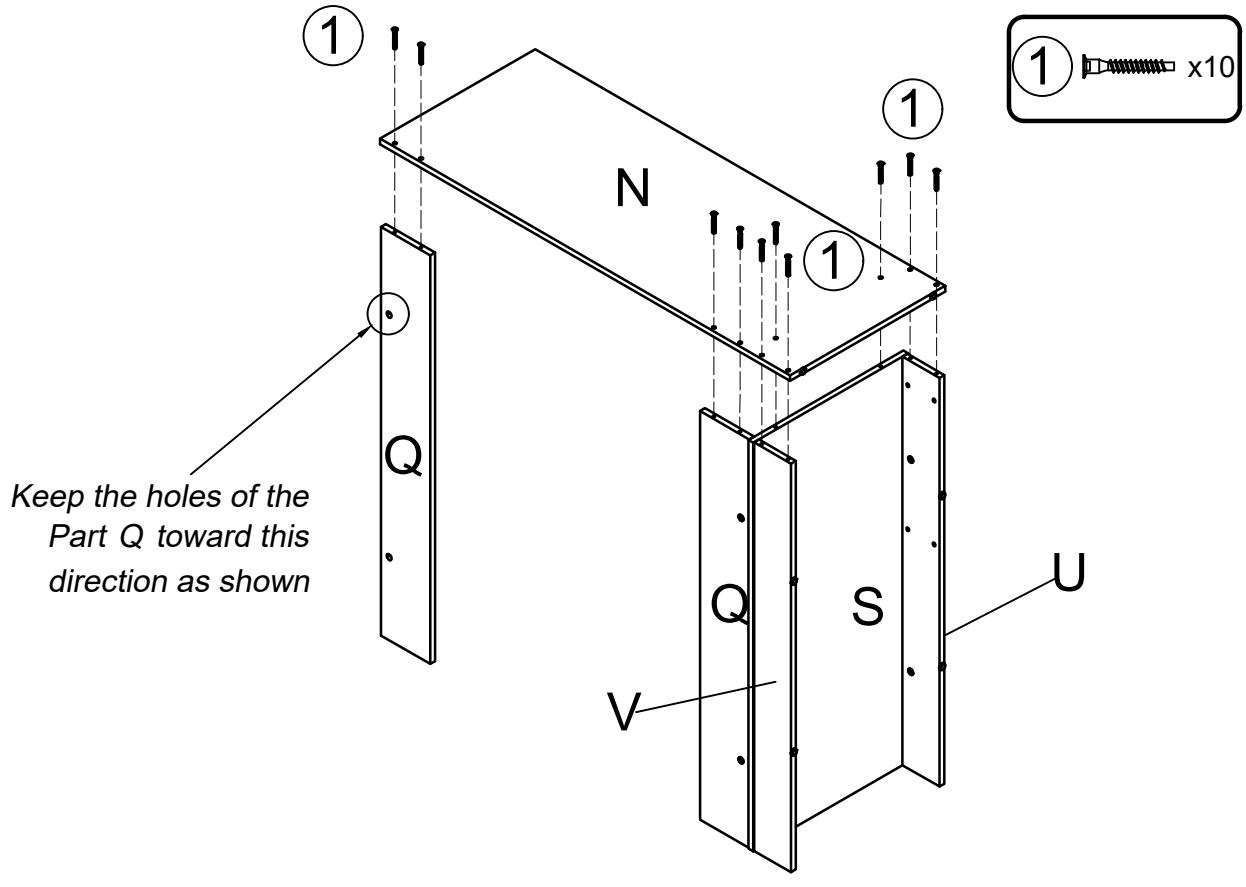
STEP 3



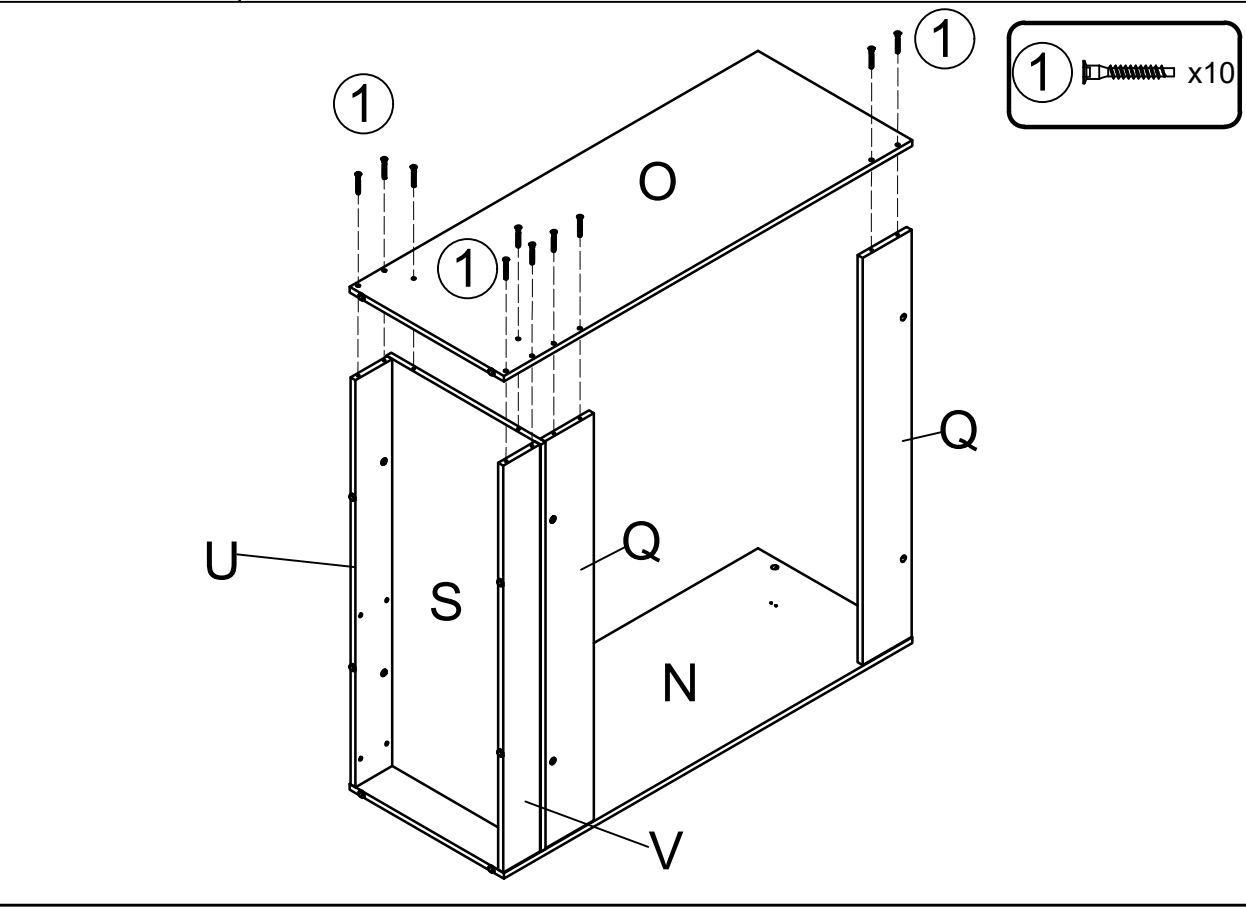
STEP 4



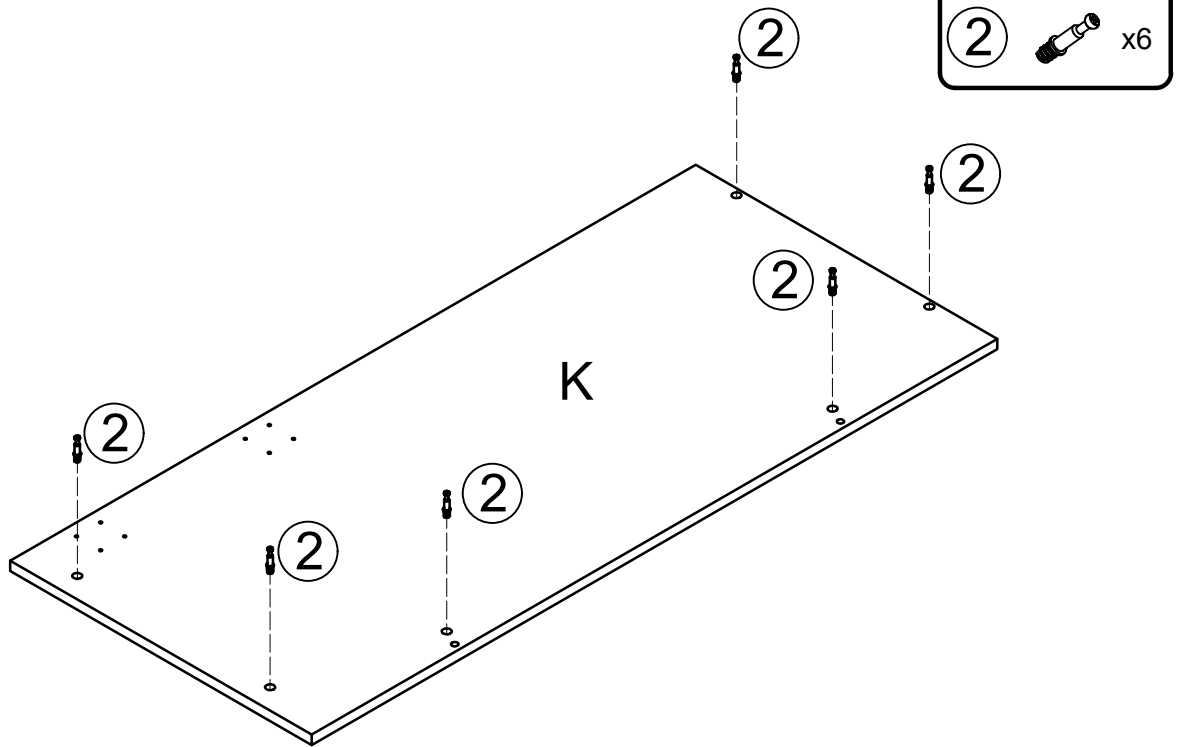
STEP 5



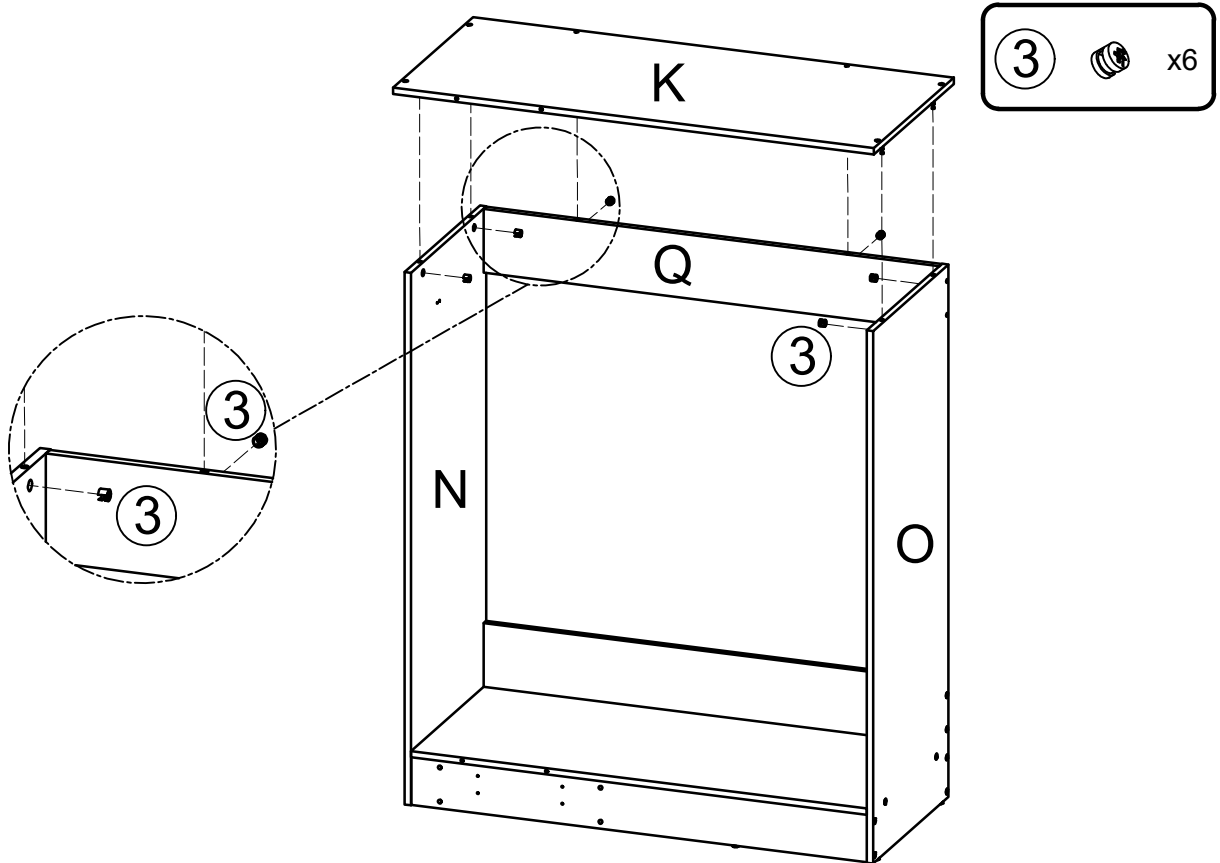
STEP 6



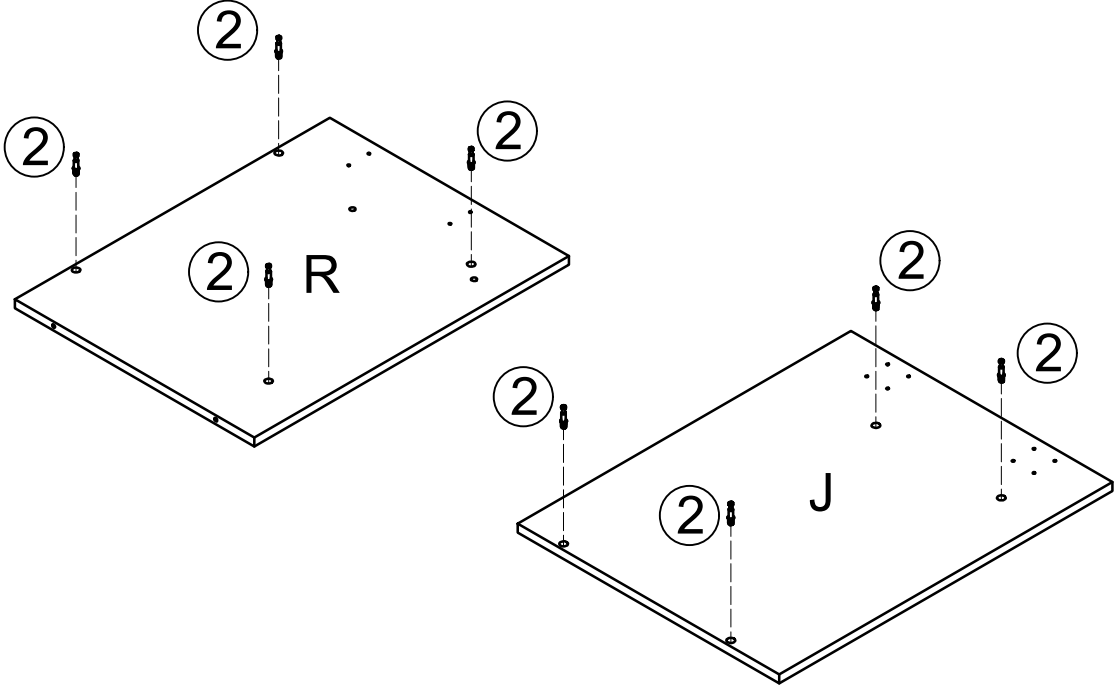
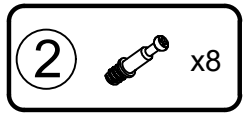
STEP 7



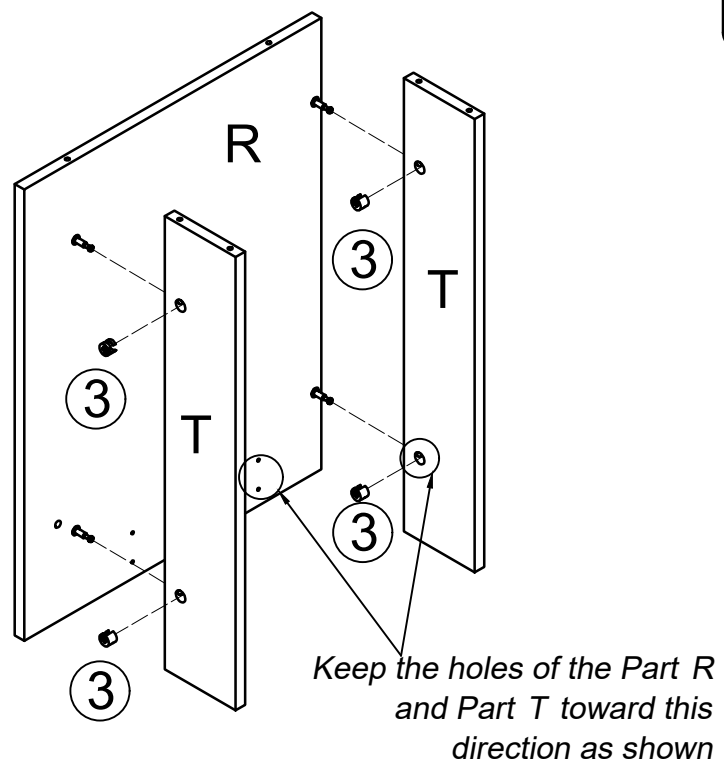
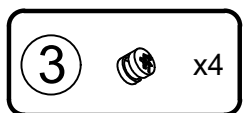
STEP 8



STEP 9

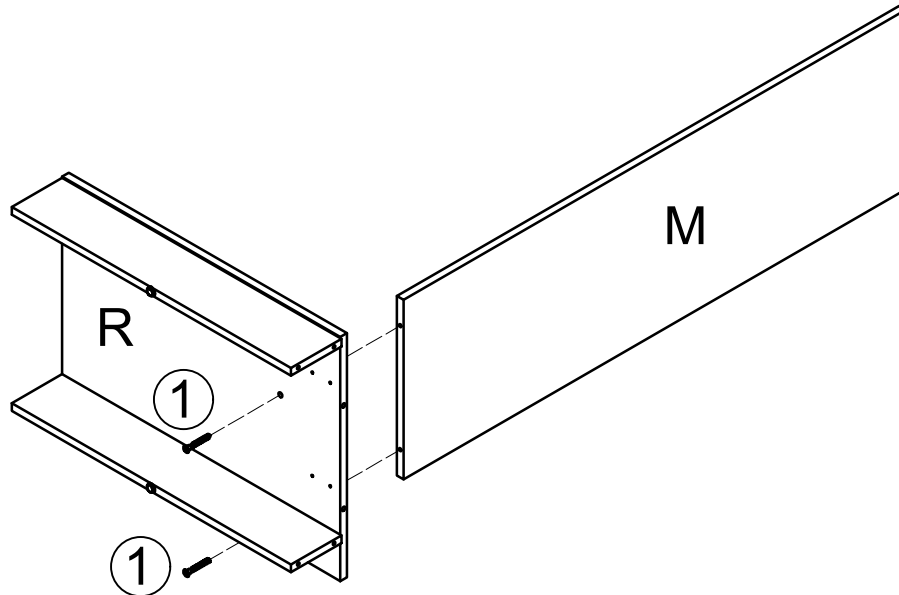


STEP 10



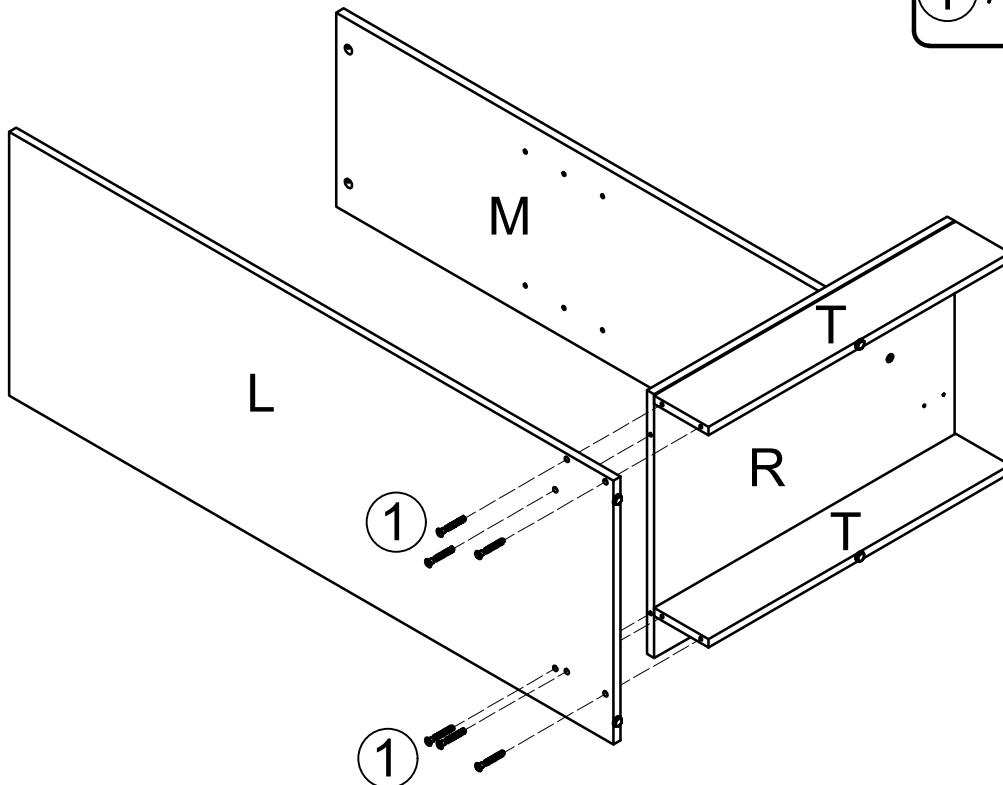
STEP 11

1  x2

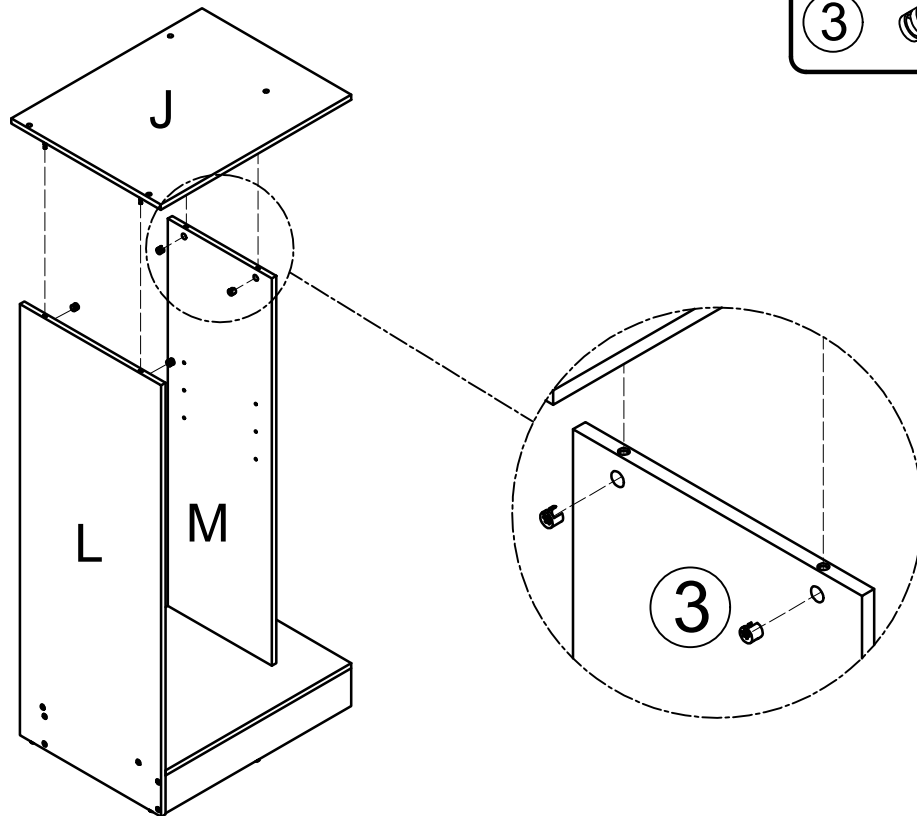
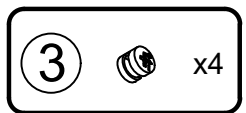


STEP 12

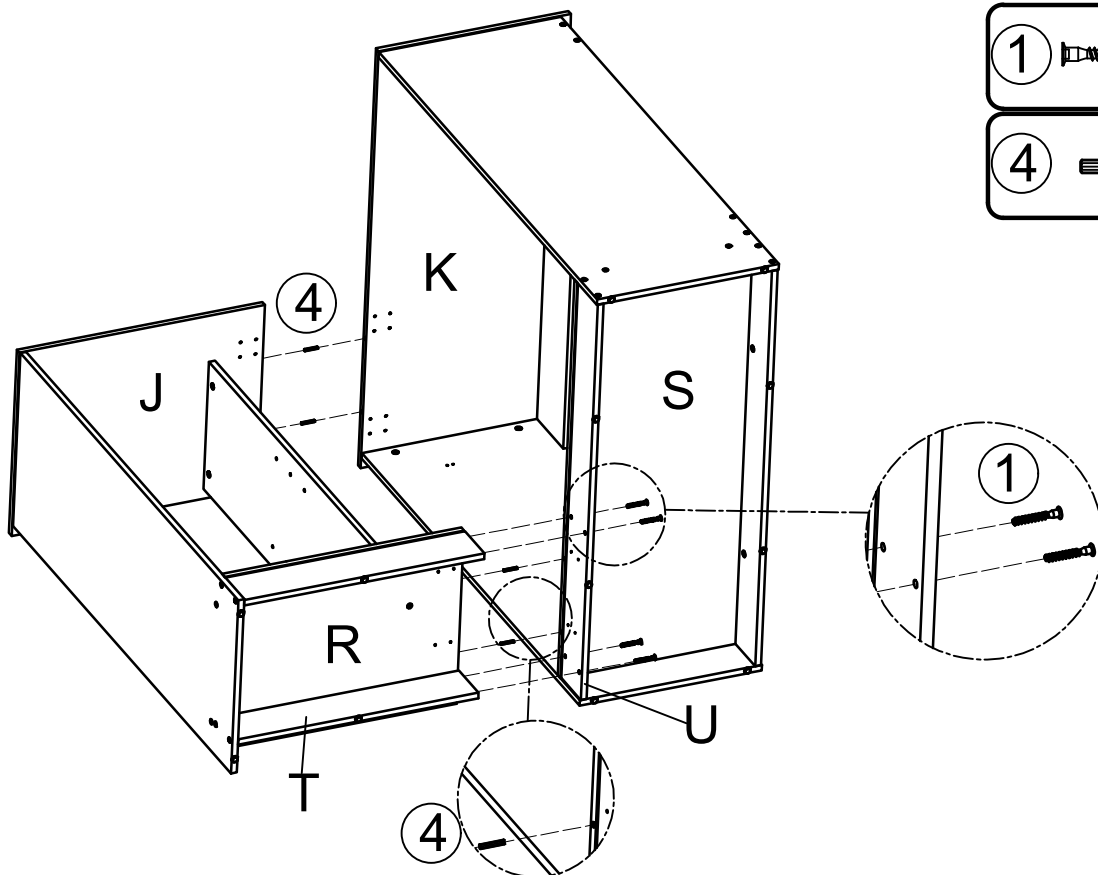
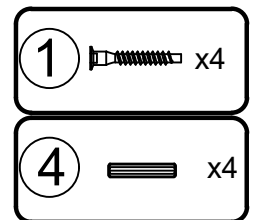
1  x6



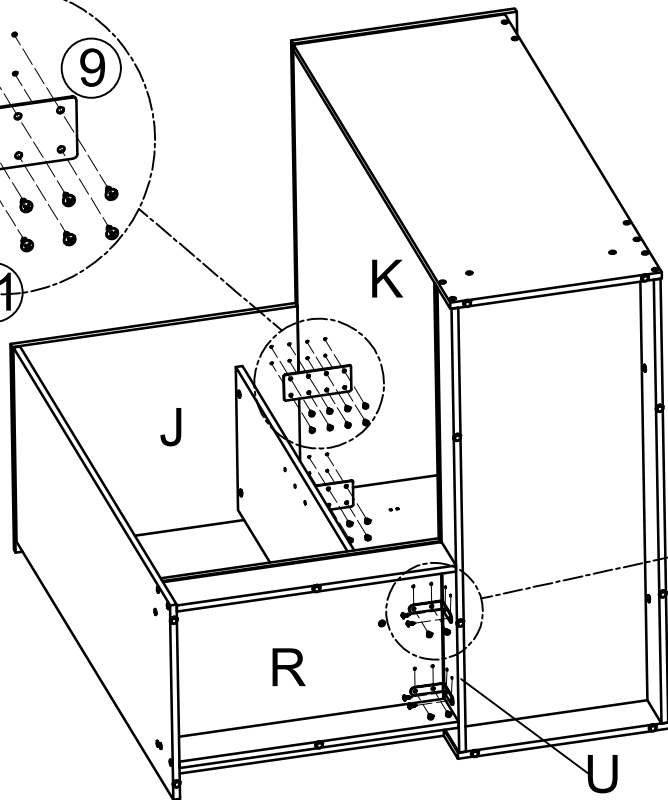
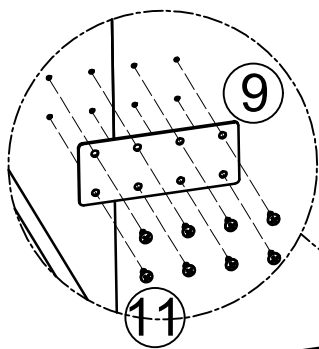
STEP 13






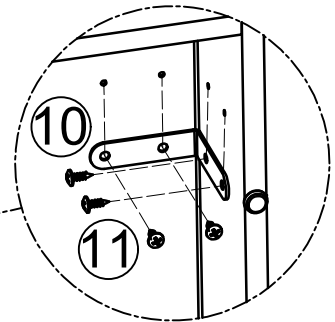
STEP 14



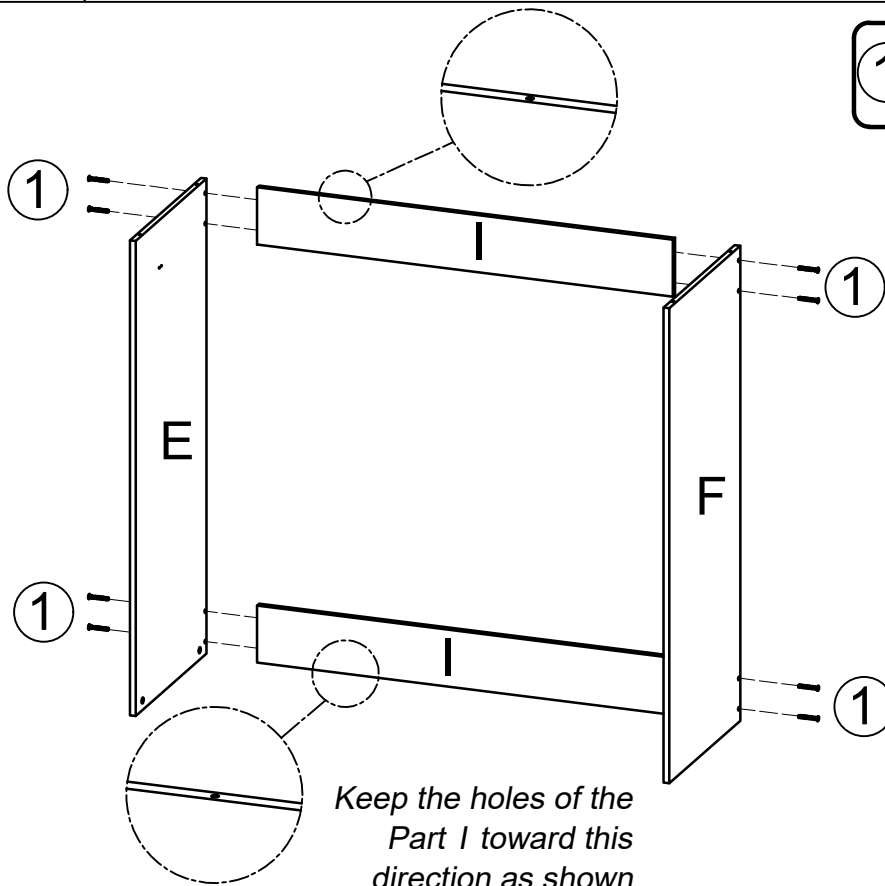
STEP 15




- 9  x2
- 10  x2
- 11  x24



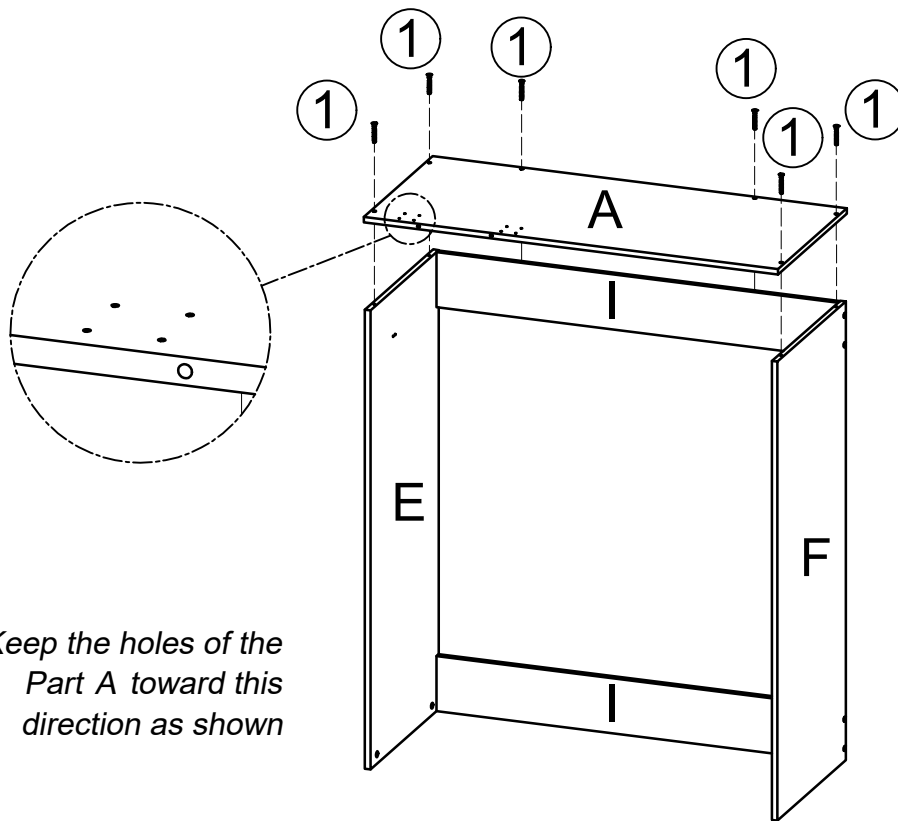
STEP 16



- 1  x8

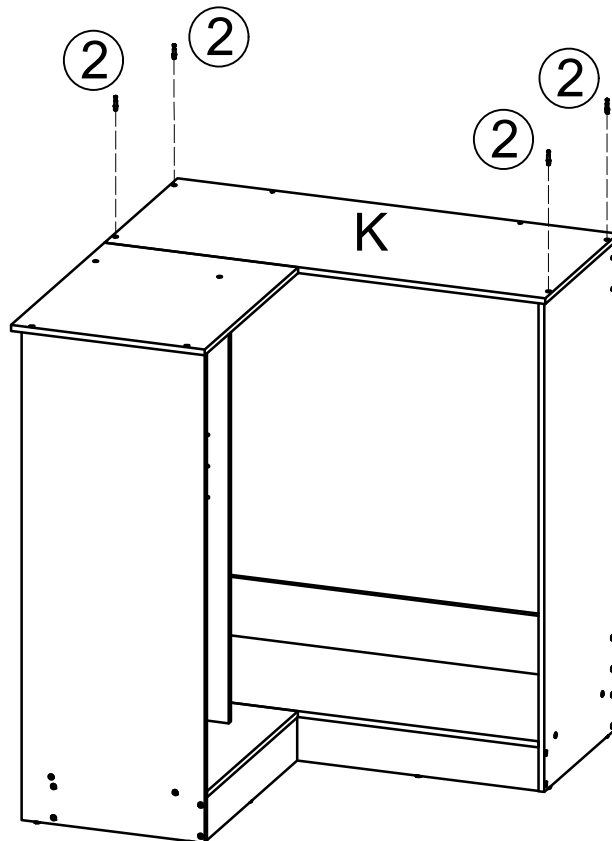
Keep the holes of the Part I toward this direction as shown

STEP 17

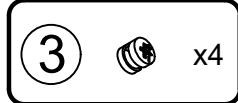
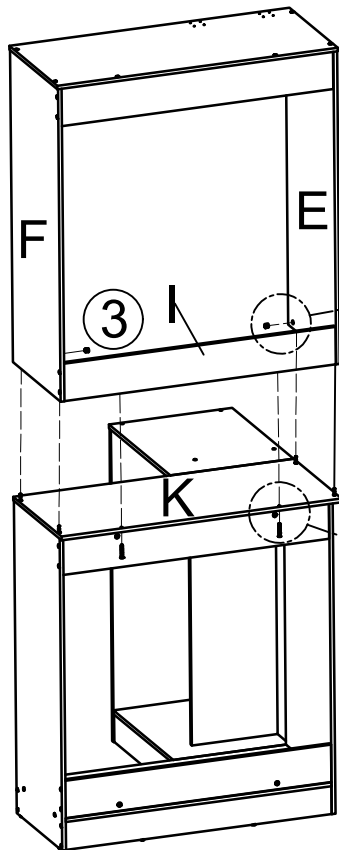


Keep the holes of the Part A toward this direction as shown

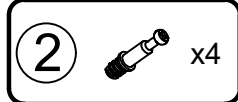
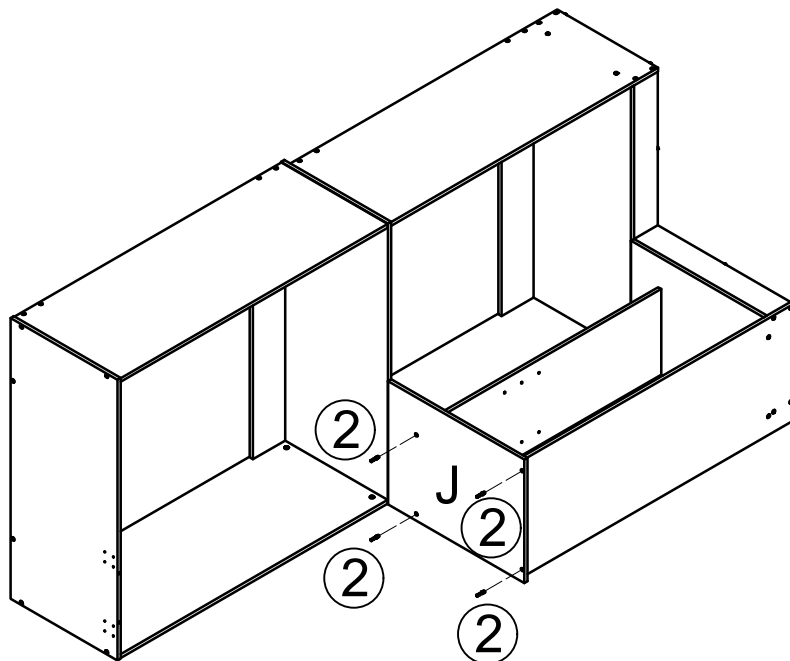
STEP 18



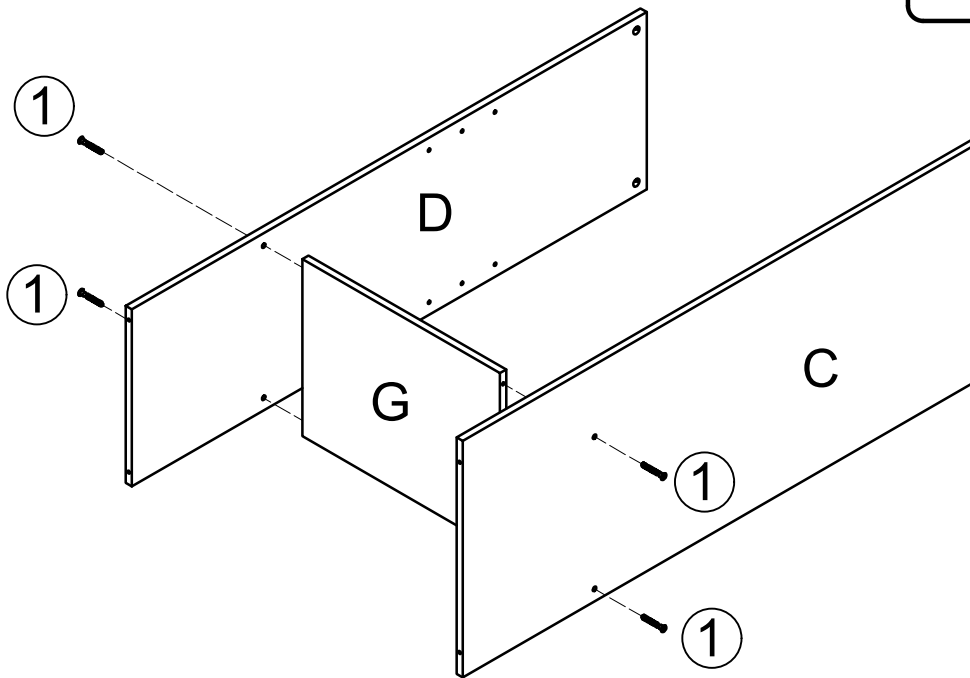
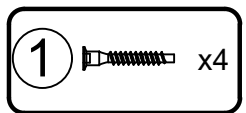
STEP 19



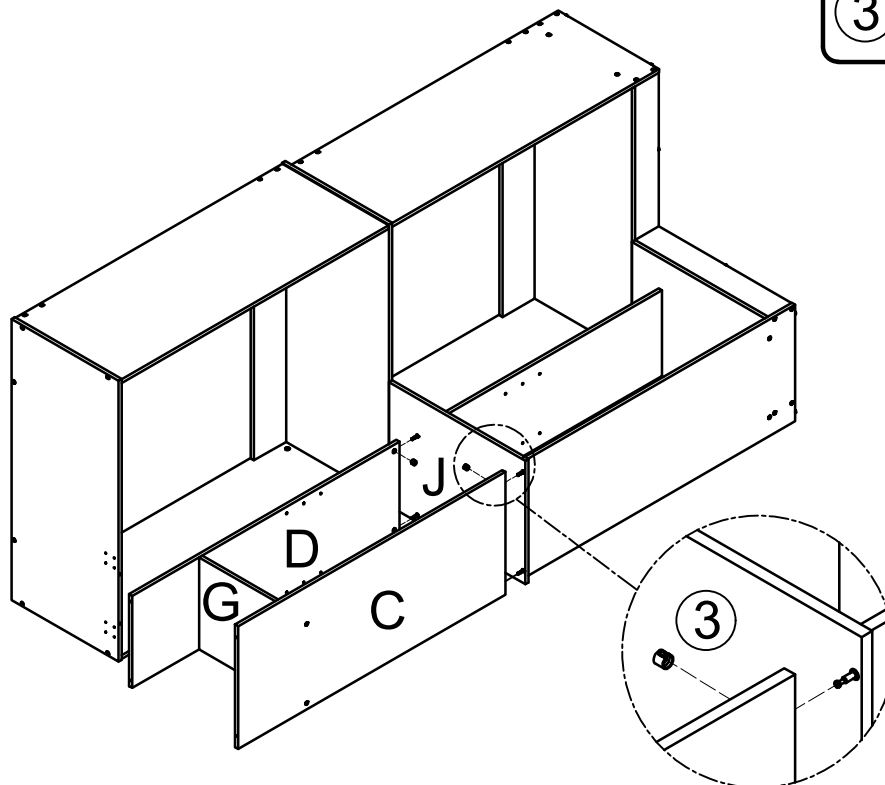
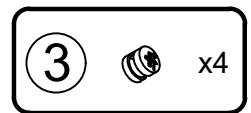
STEP 20



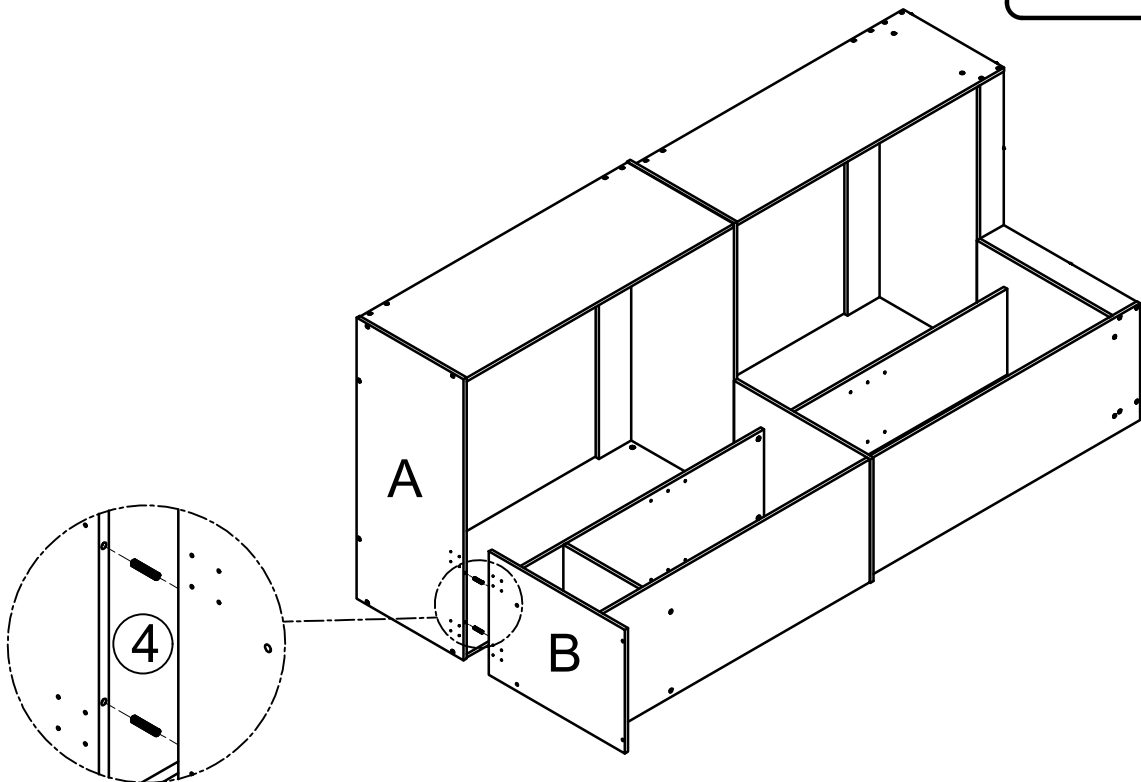
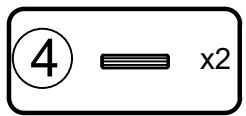
STEP 21



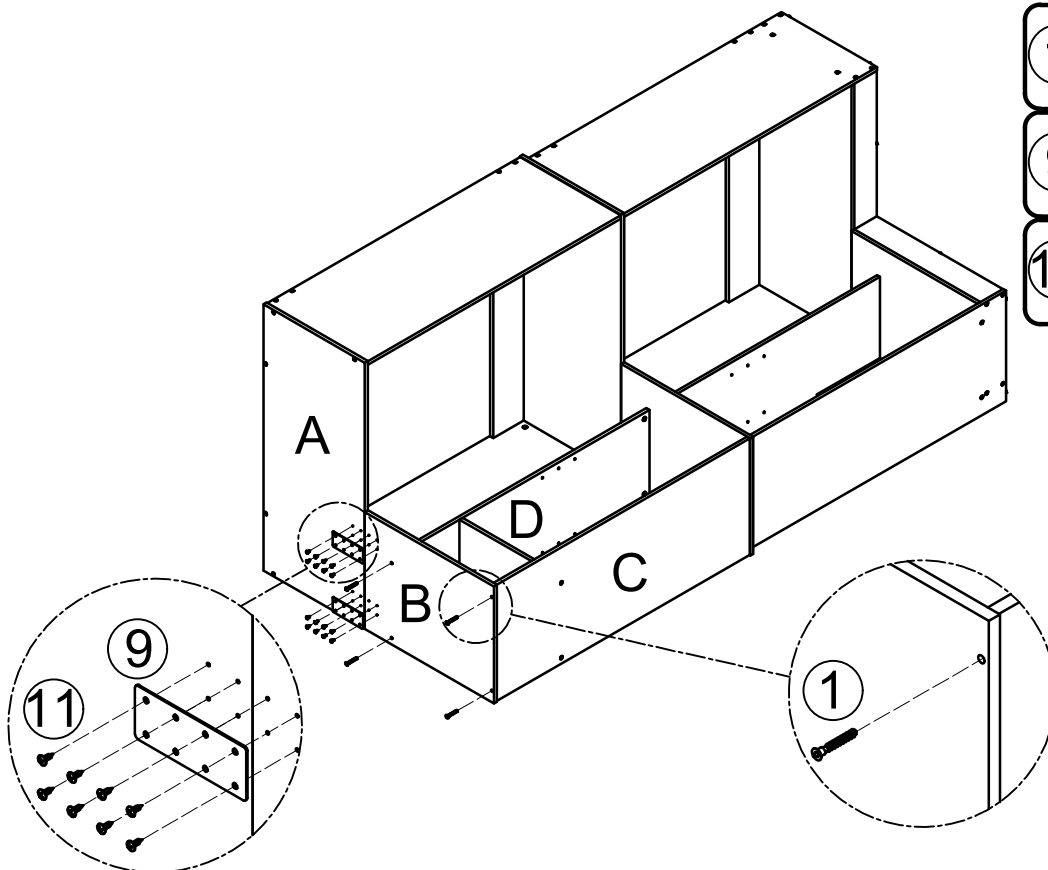
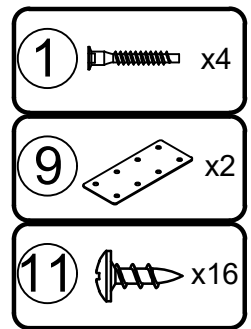
STEP 22



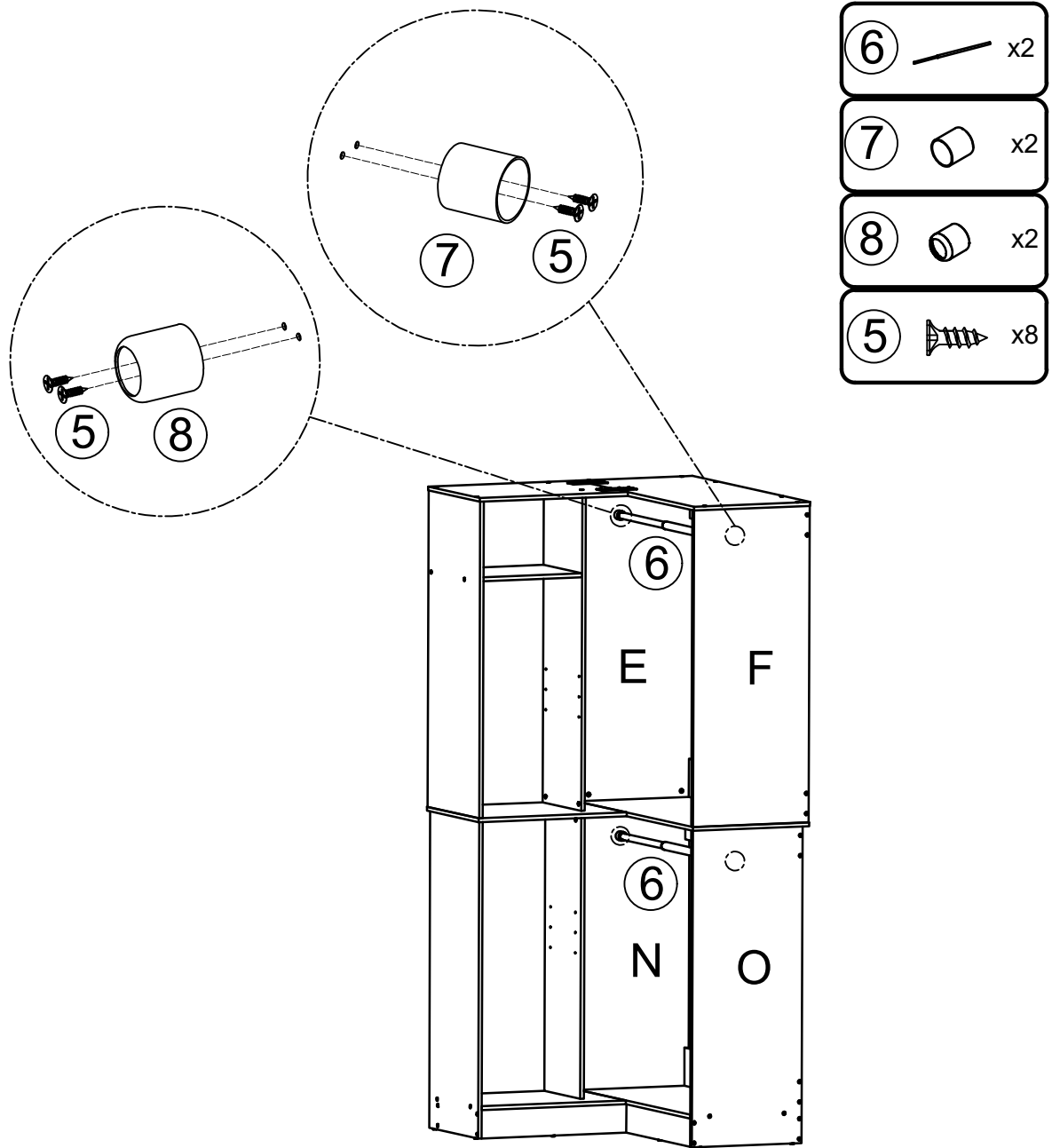
STEP 23



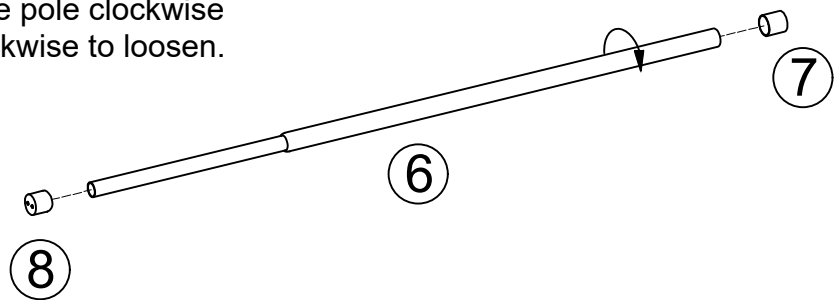
STEP 24



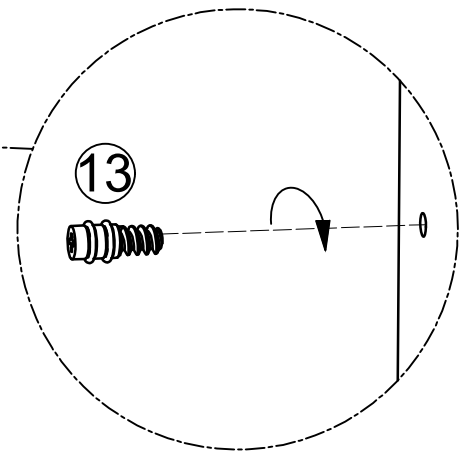
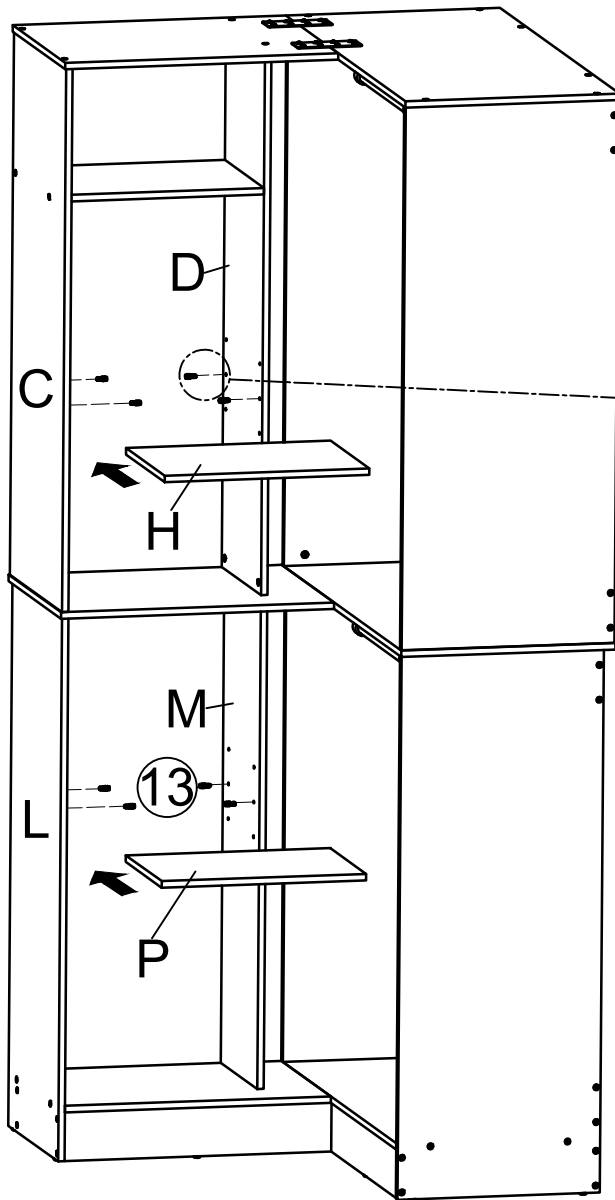
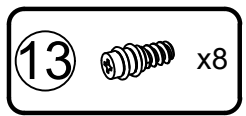
STEP 25



Note: Twist the expandable pole clockwise to tighten. anticlockwise to loosen.



STEP 26



There are 3 heights for the 2 shelves (Part H and Part P) to be adjusted as you need.

STEP 27

TIPPING RESTRAINT HARDWARE



Note: We have included three Tipping Restraint Hardware set for this Unit. When properly installed, this restraint can provide protection against the unexpected tipping of the Unit due to small tremors, bumps or climbing. We strongly recommend mounting this hardware to a wall stud and your Unit.

Note: You must install the Tipping Restraint Hardware with the unit in use to prevent any accidents or damage to the unit.

