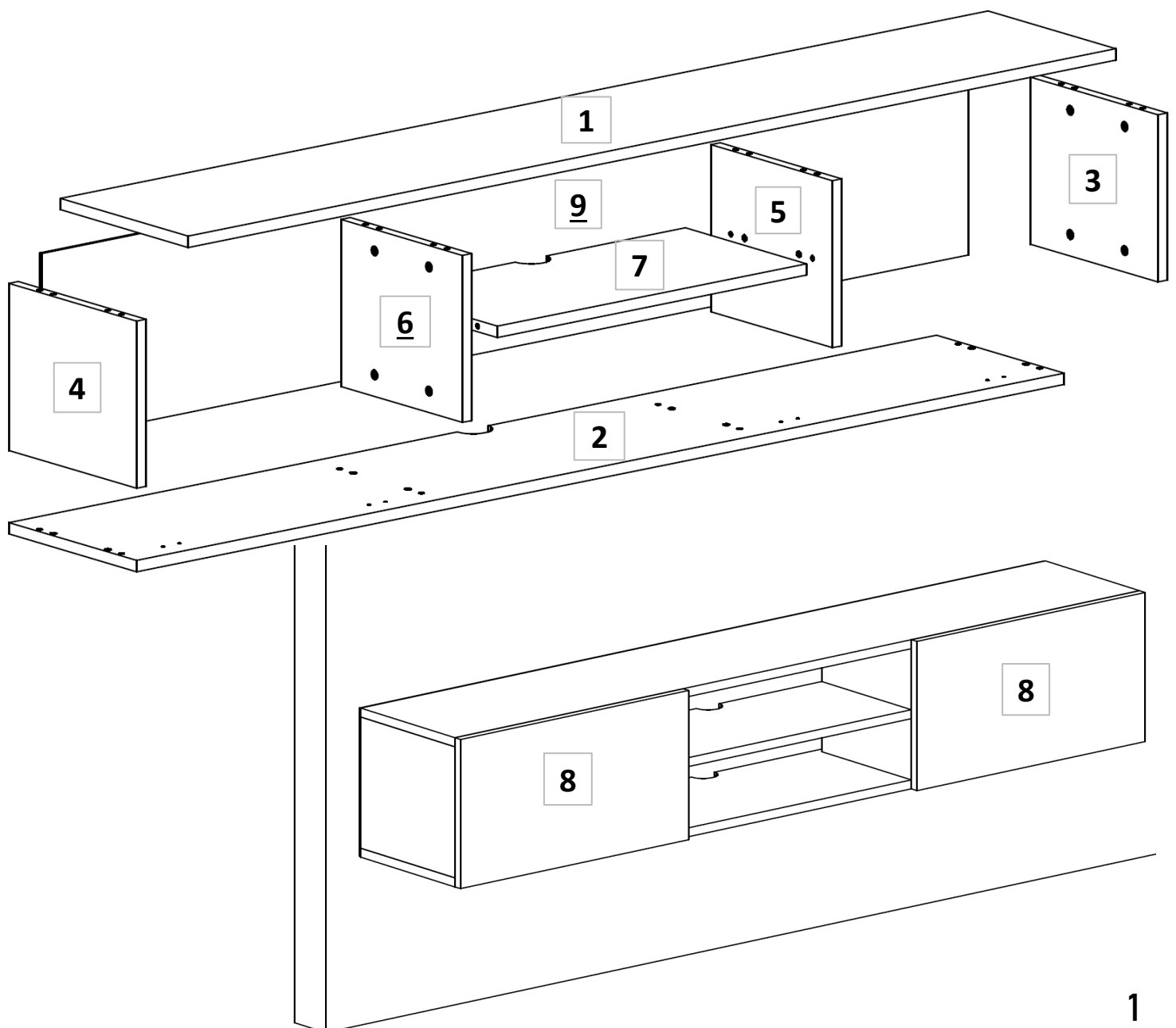


PRODUCT CODE : 153.1120

We're here to help - Do not return this product !

Call, email or find us online first !

- If you need help with assembly
- If you received a damaged or defective part
- If you are missing hardware



Read these assembly instructions carefully before beginning. Verify that you have in hands all the wood parts and hardware. Keep this document for future reference.



Two people are required to assemble and move this unit.



Safety First! Do not allow children to climb on or play with furniture.

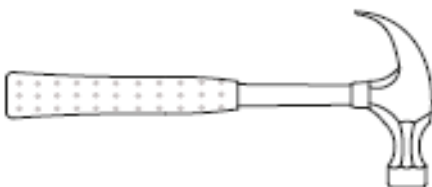
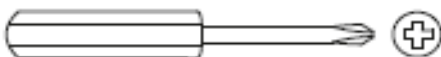
www.Jows
Windows



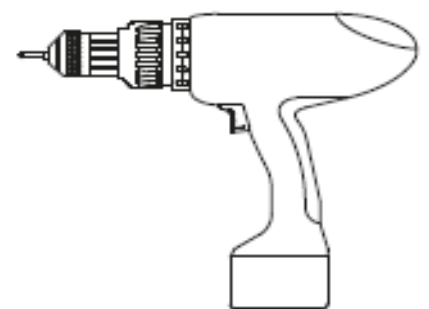
Never leave liquids or damp clothes on your furniture. Never use chemical product to clean your furniture. Do not place your furniture in direct sunlight.

To clean your furniture, dampen a soft cloth with a mild solution of dishwashing liquid. Squeeze excess water. Clean unit and wipe it dry.


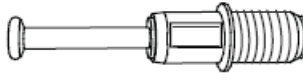

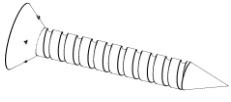
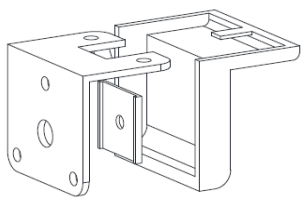
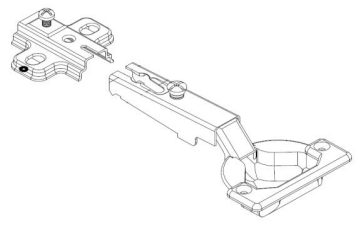
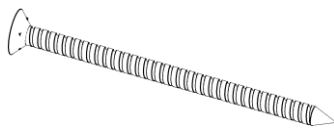
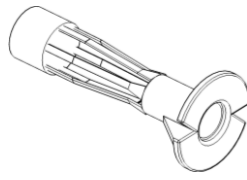
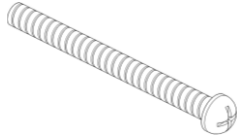

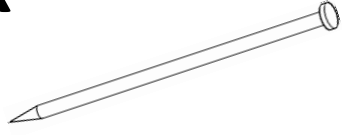

Tools required

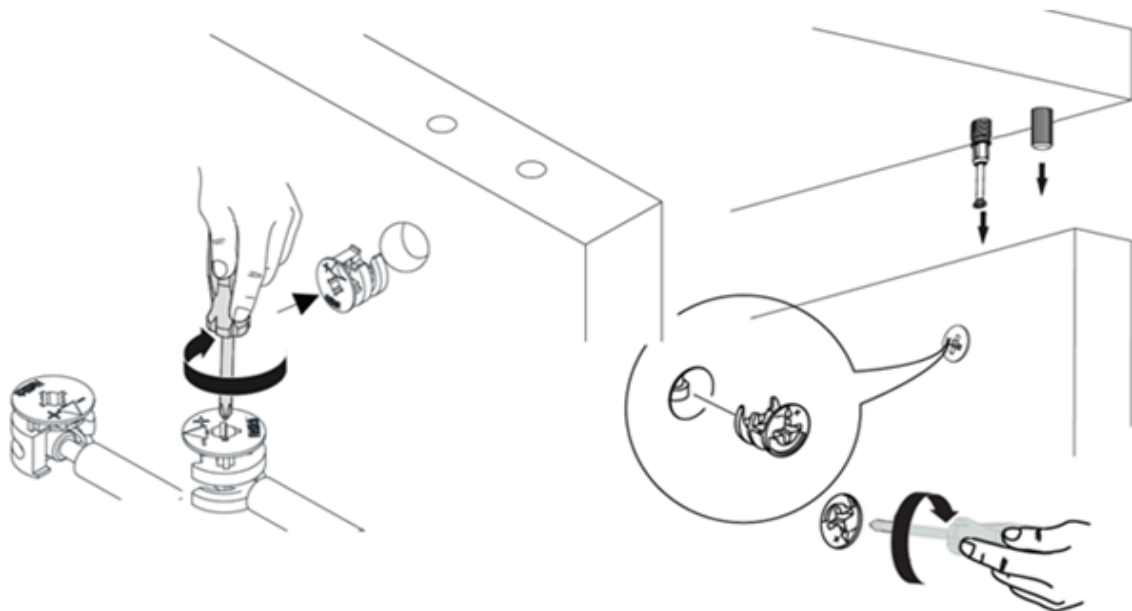
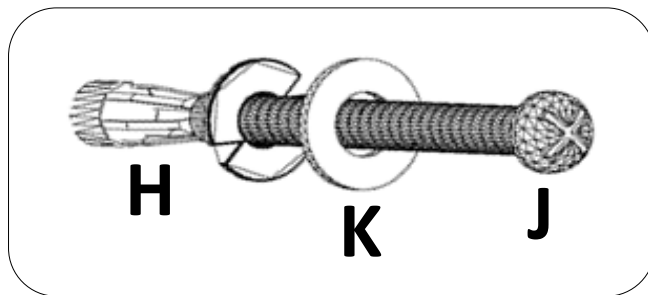


stud sensor

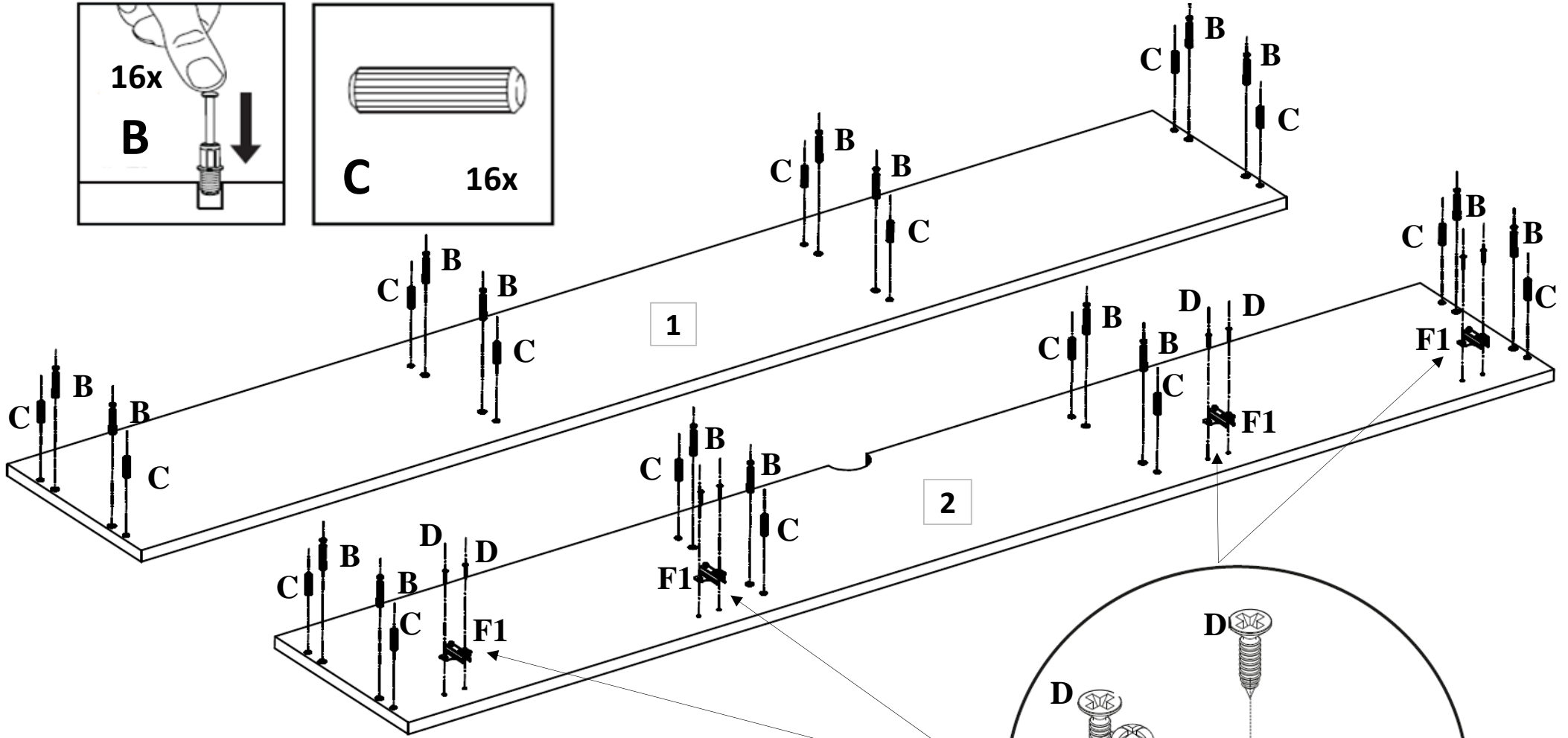
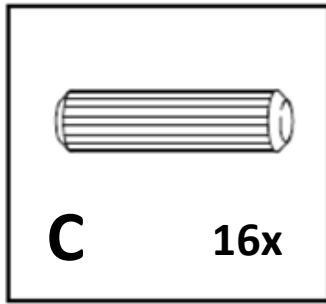
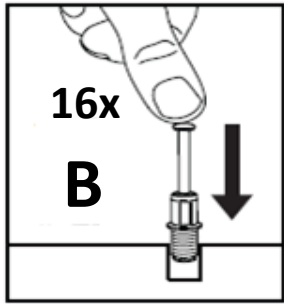


Hardware List

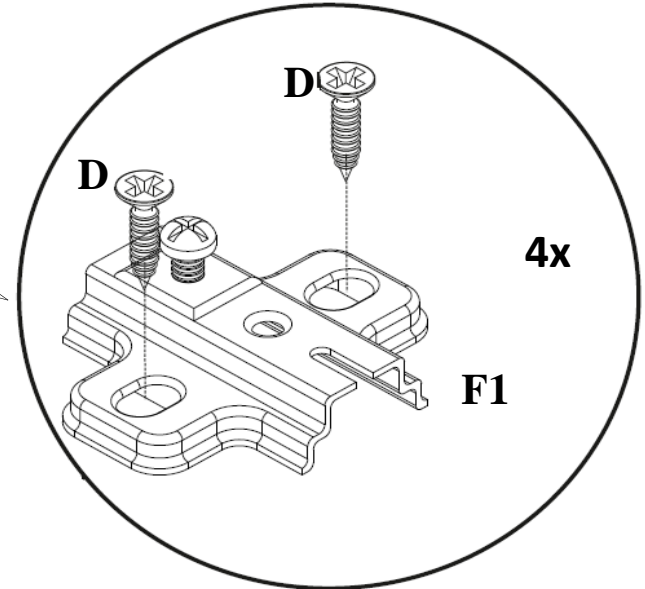
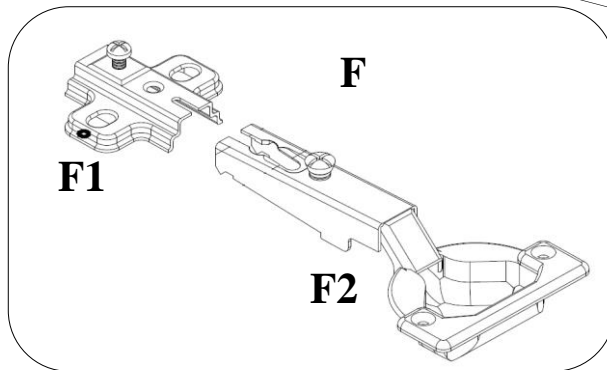
<p>20x A</p> 	<p>20x B</p> 	<p>20x C</p> 
<p>32x D</p> 	<p>8x E</p> 	<p>4x F</p> 
<p>4x G</p> 	<p>4x H</p> 	<p>4x J</p> 
<p>4x K</p> 	<p>16x L</p> 	<p>20x M</p> 



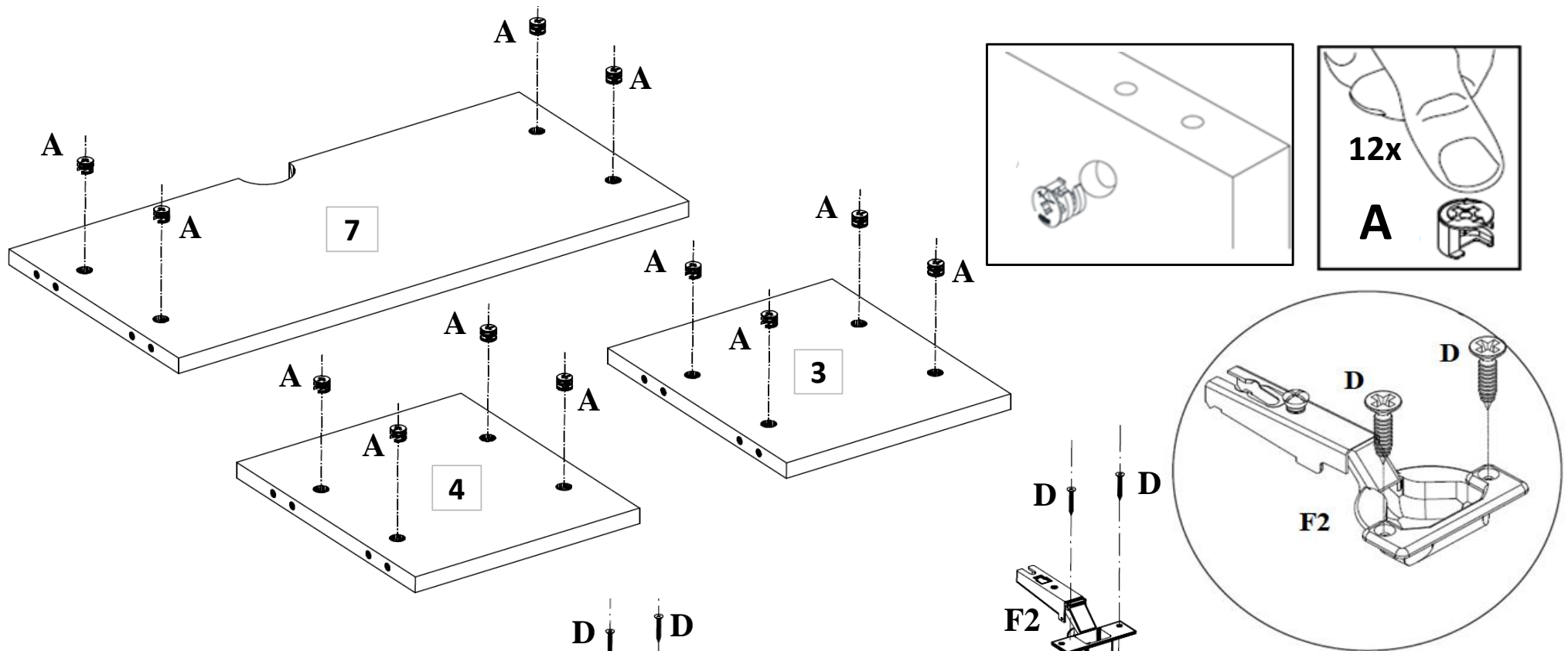
1 Install the 16 push bolts and 16 dowels into the panels 1 and 2



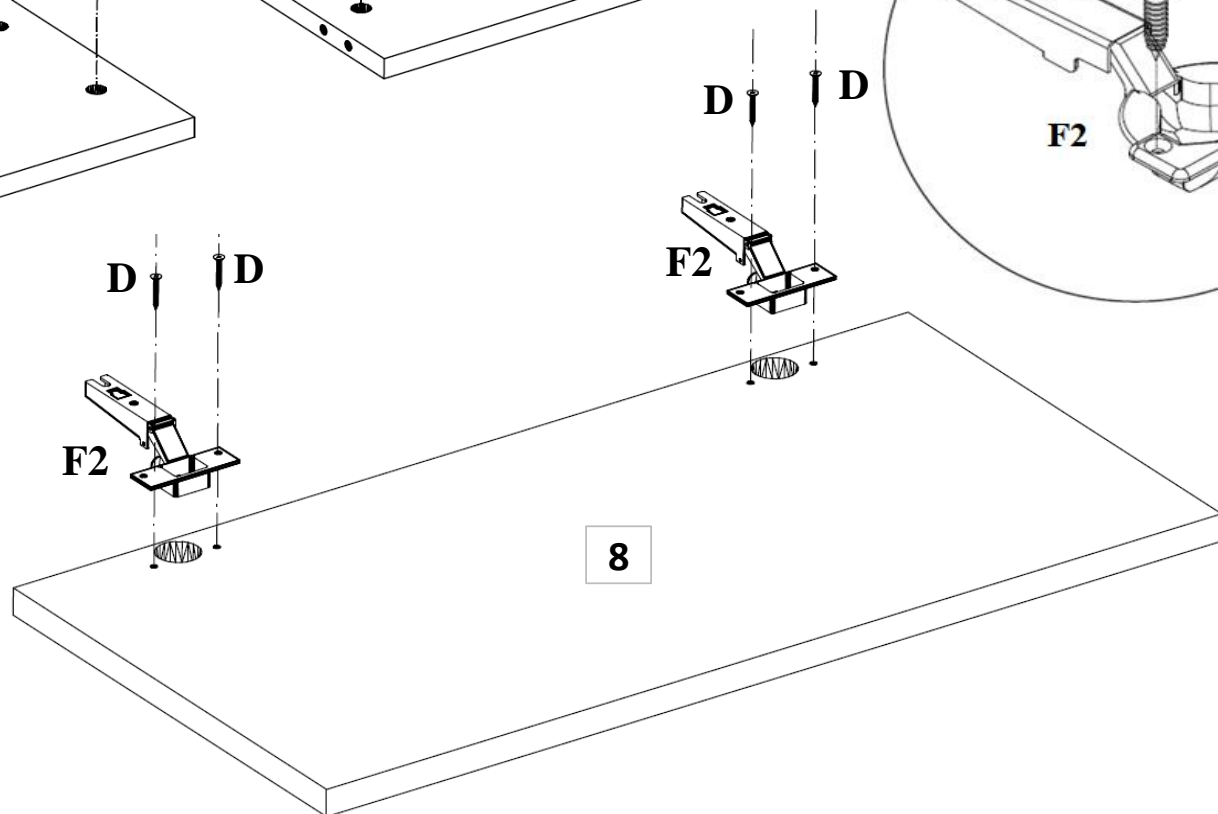
2 Fasten the 4 hinges (F1) to the panel 2



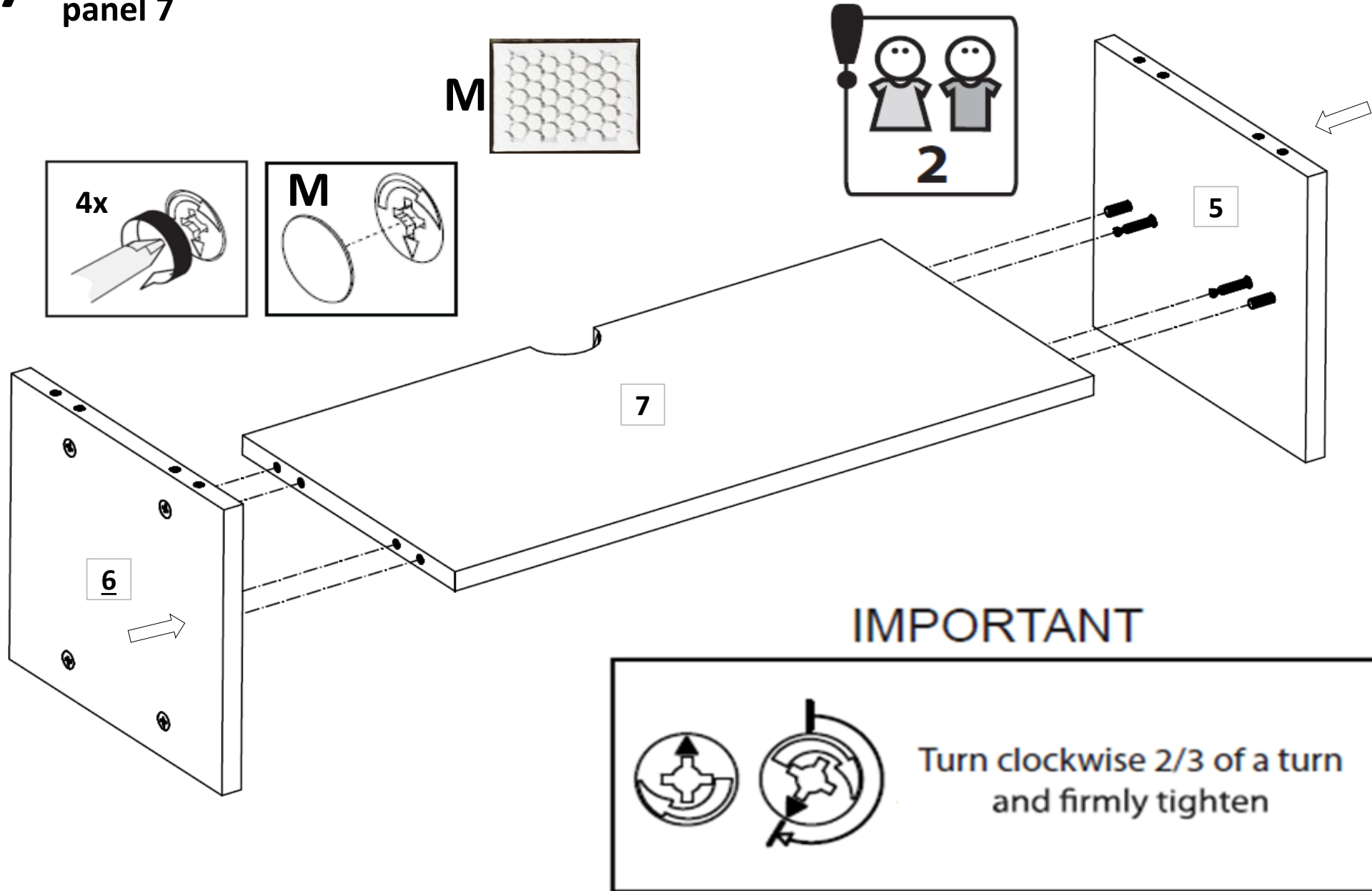
3 Insert the 12 cam locks into the panels 7,3 and 4



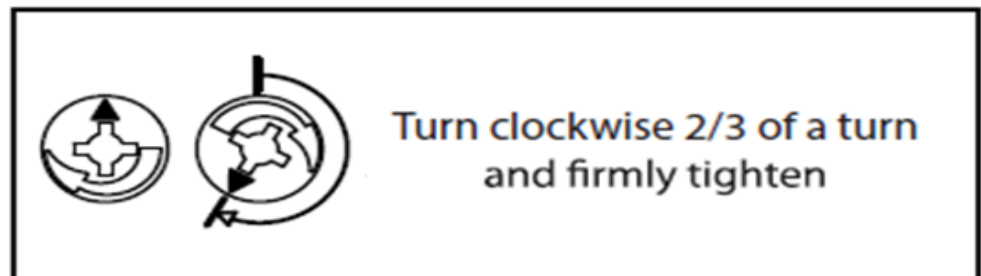
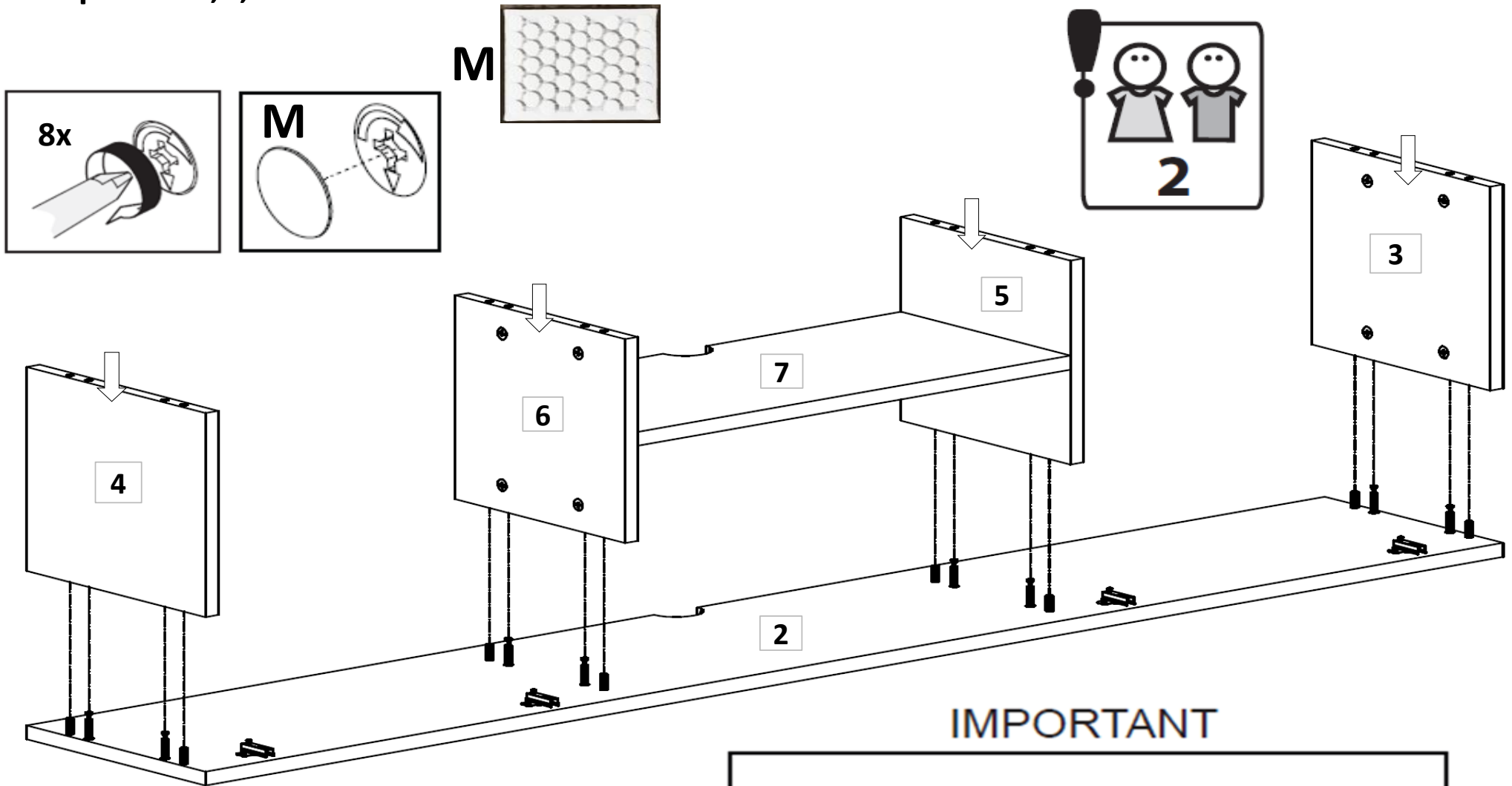
4 Fasten the 4 hinges (F2) to a pair of 2 doors 8



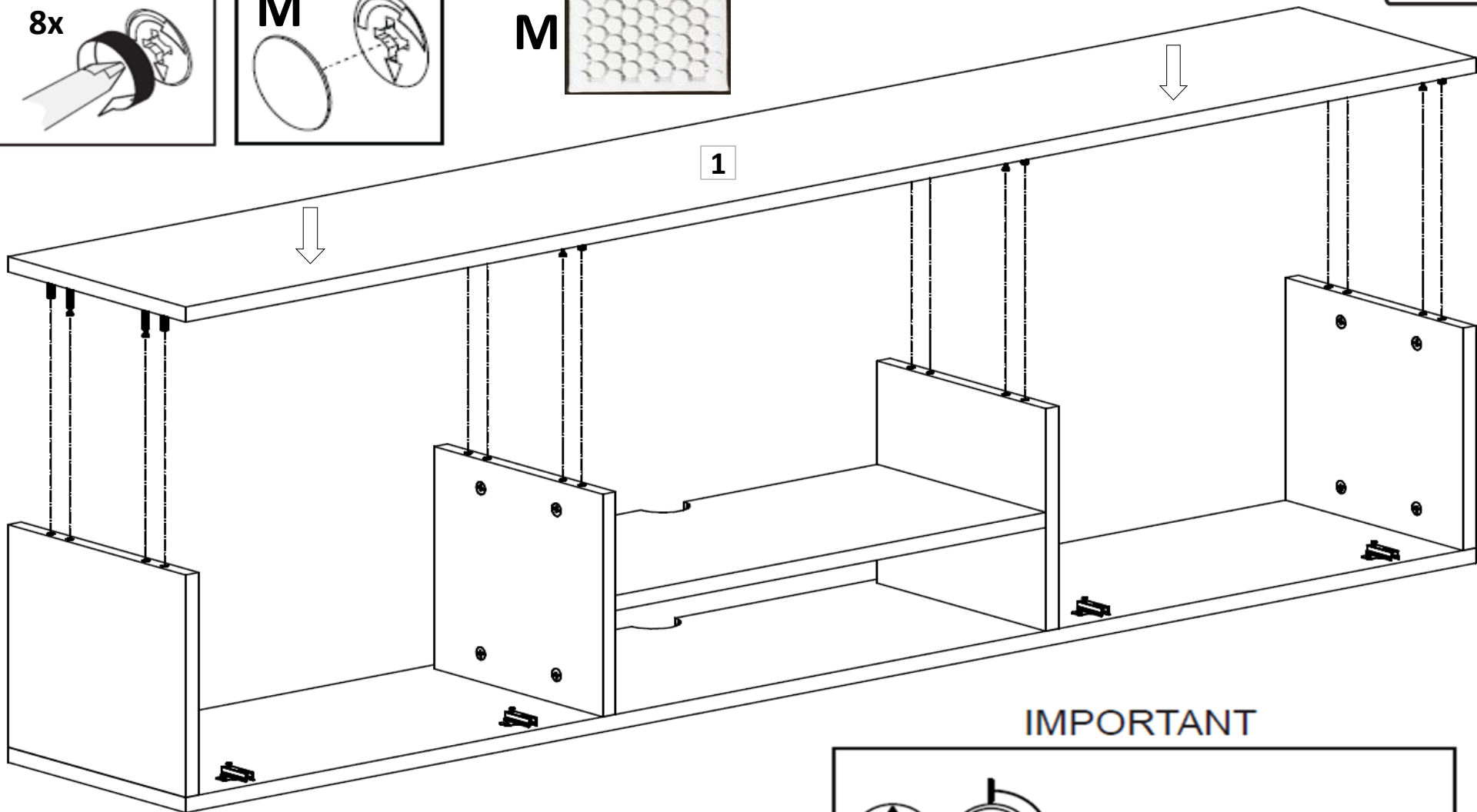
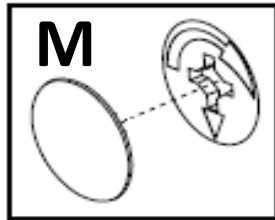
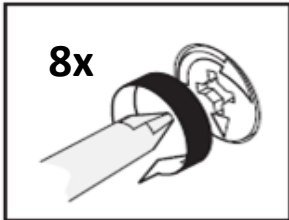
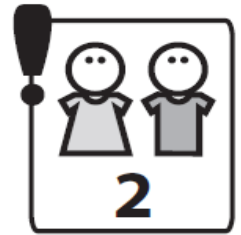
7 Fasten the panels 5 and 6 to the panel 7. Then tighten the 4 cam locks located on panel 7



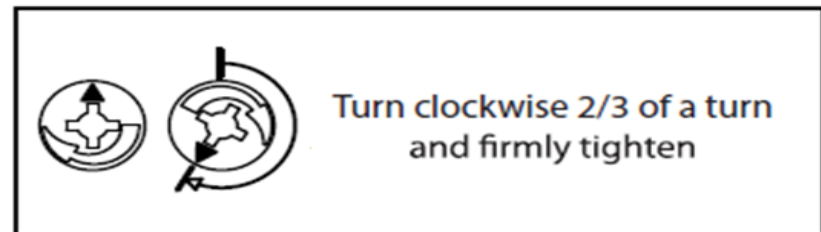
8 Fasten the panels 3,4,5 and 6 to the panel 2. Then tighten the 8 cam locks located on panels 3,4,5 and 6.



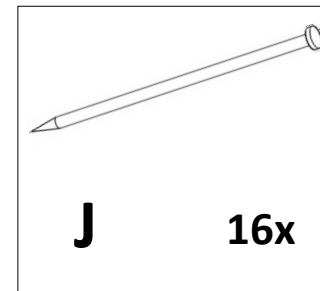
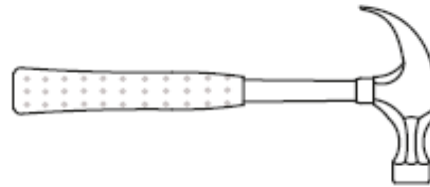
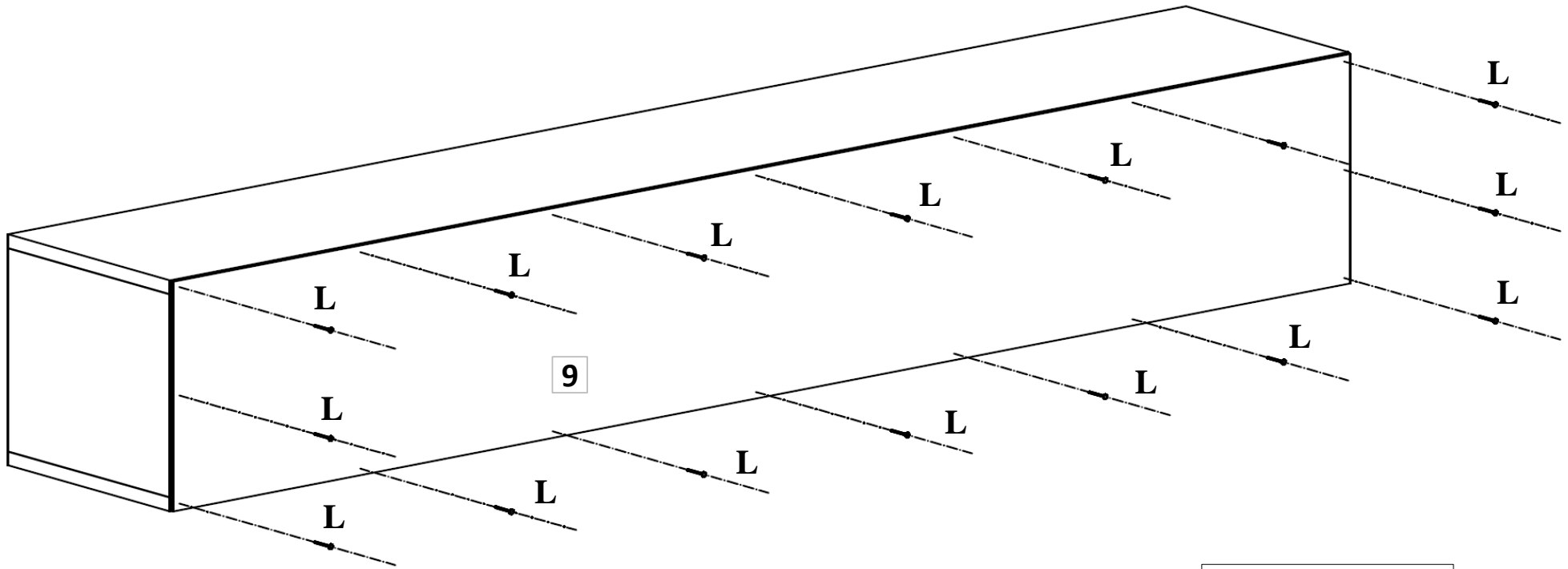
9 Fasten the panel 1 to panels 3,4,5 and 6. Then tighten the 8 cam locks located on panels 3,4,5 and 6.



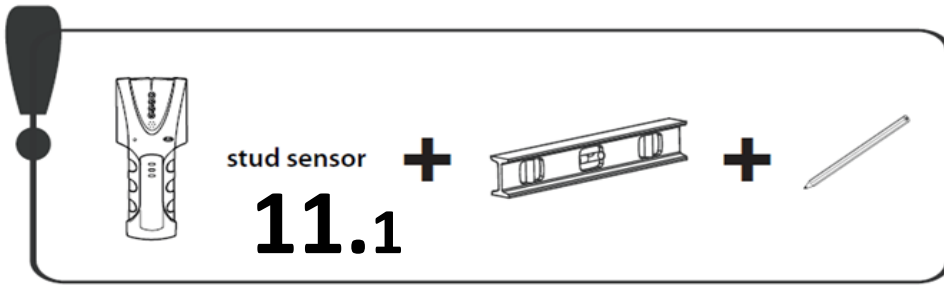
IMPORTANT



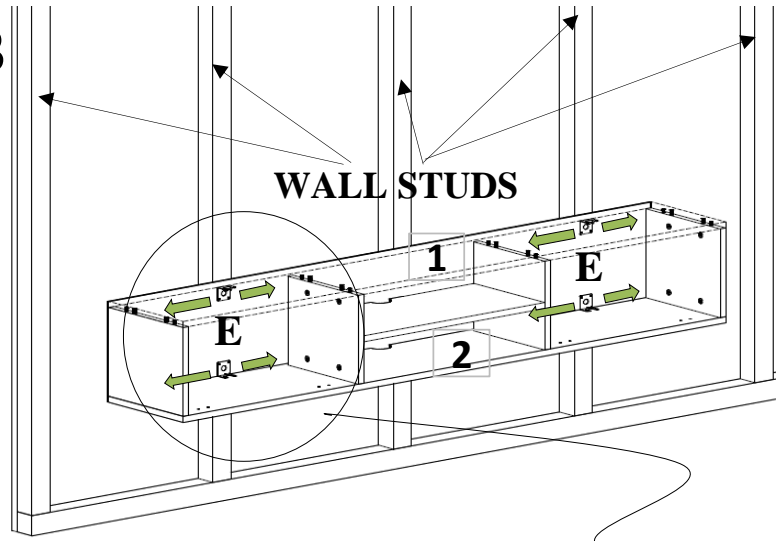
10 Use the nails to fasten the back panel to the unit.



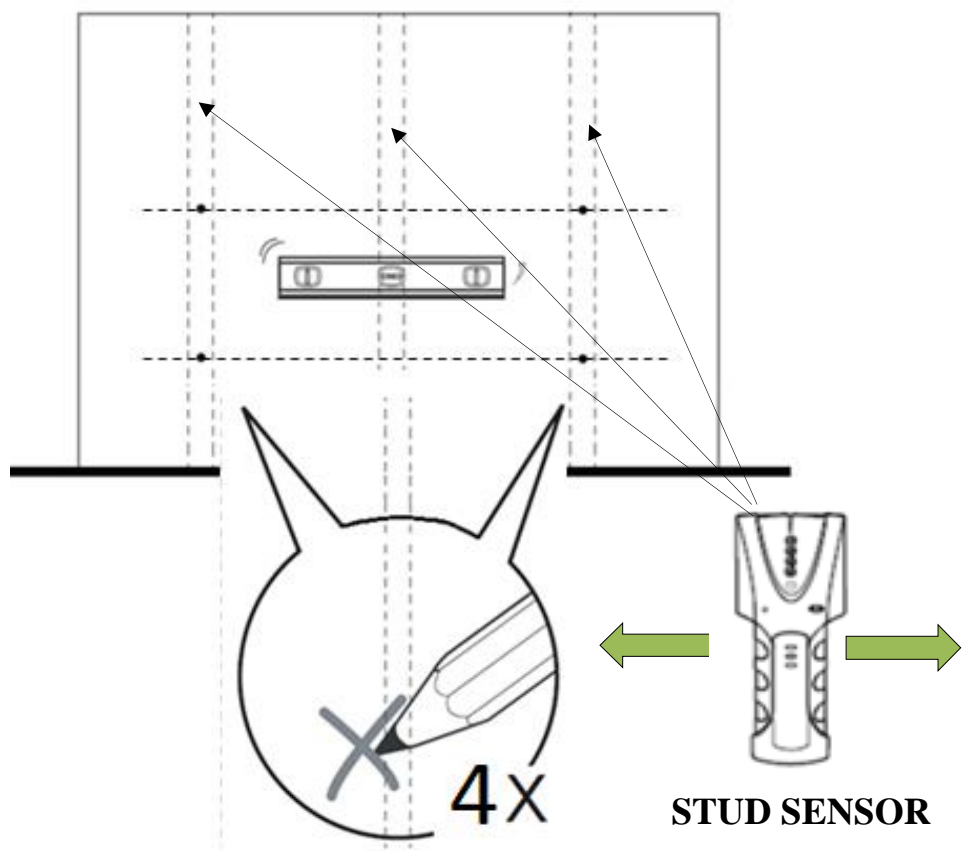
11 Use a stud sensor to locate the structural studs of the wall.



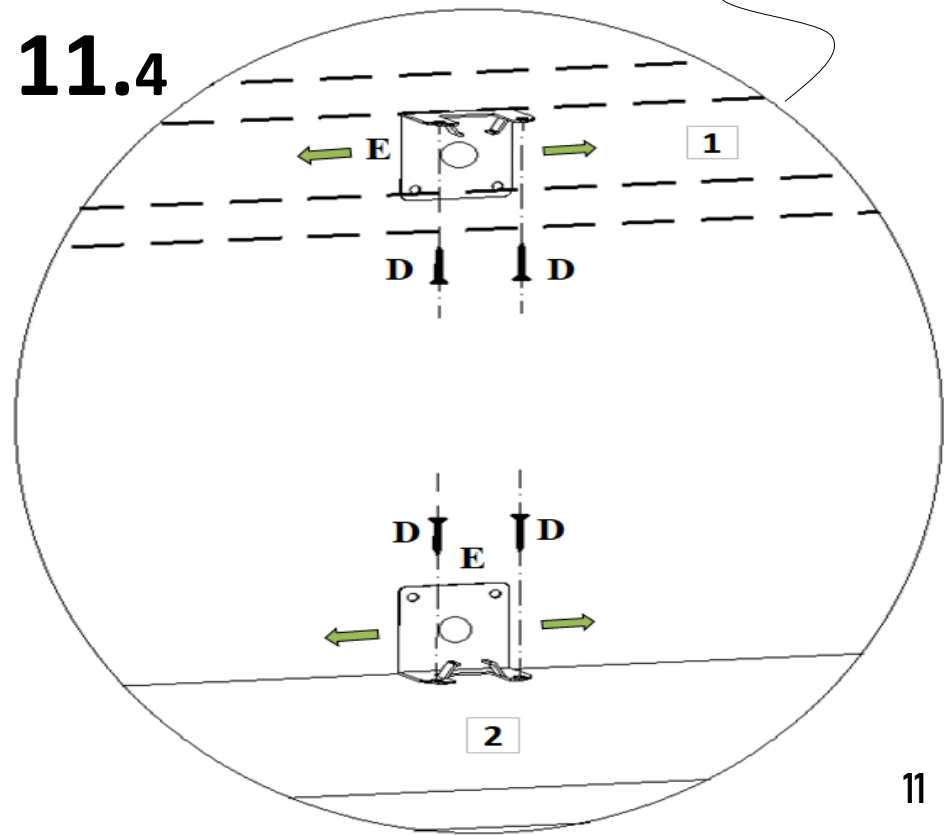
11.3



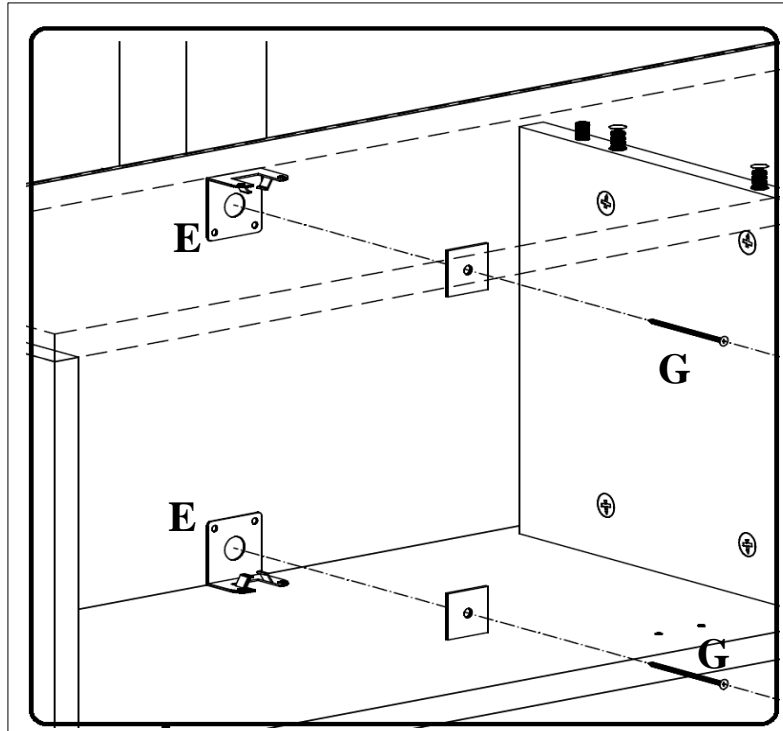
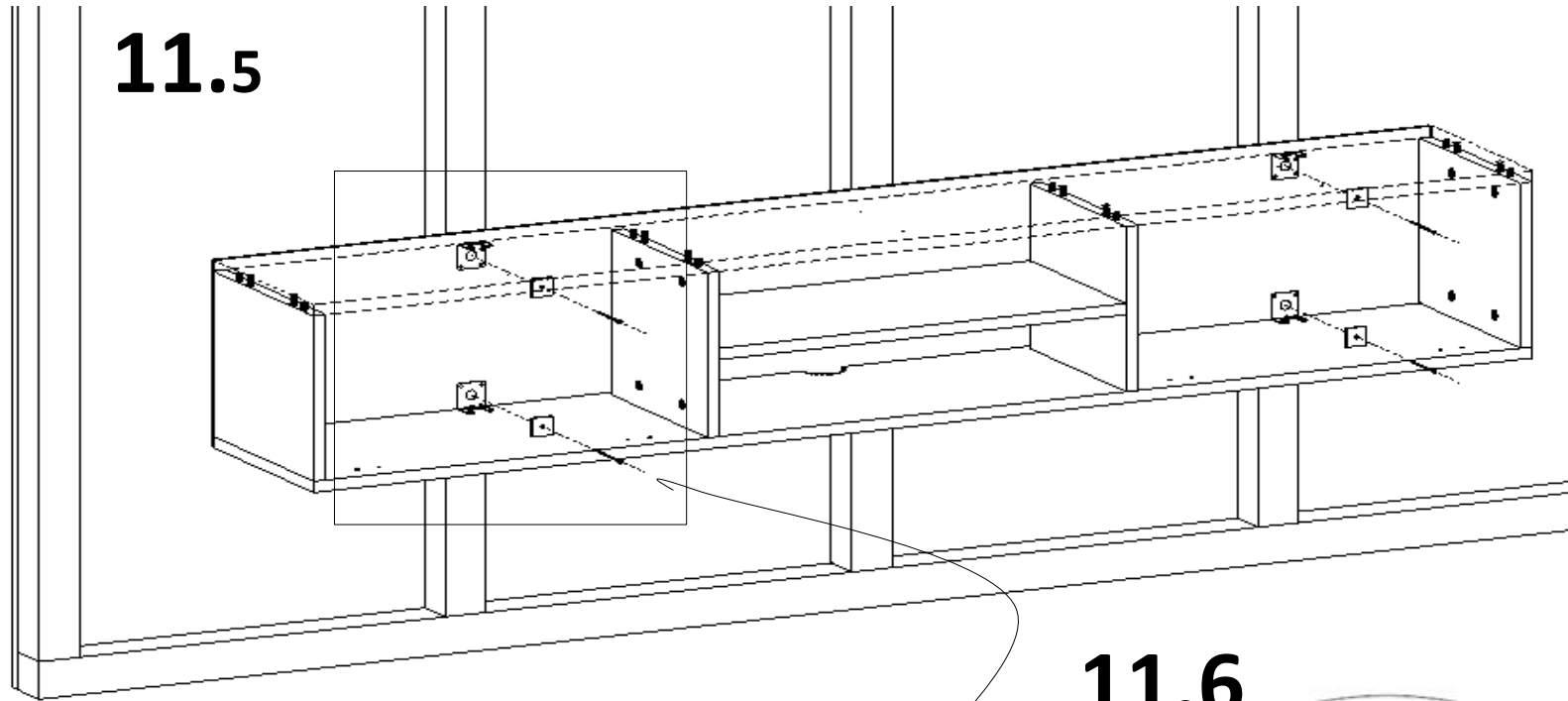
11.2



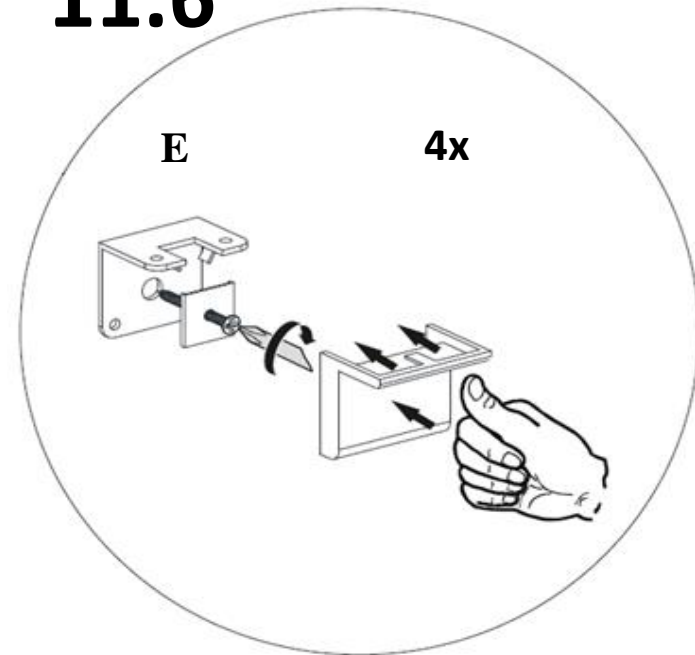
11.4



11.5

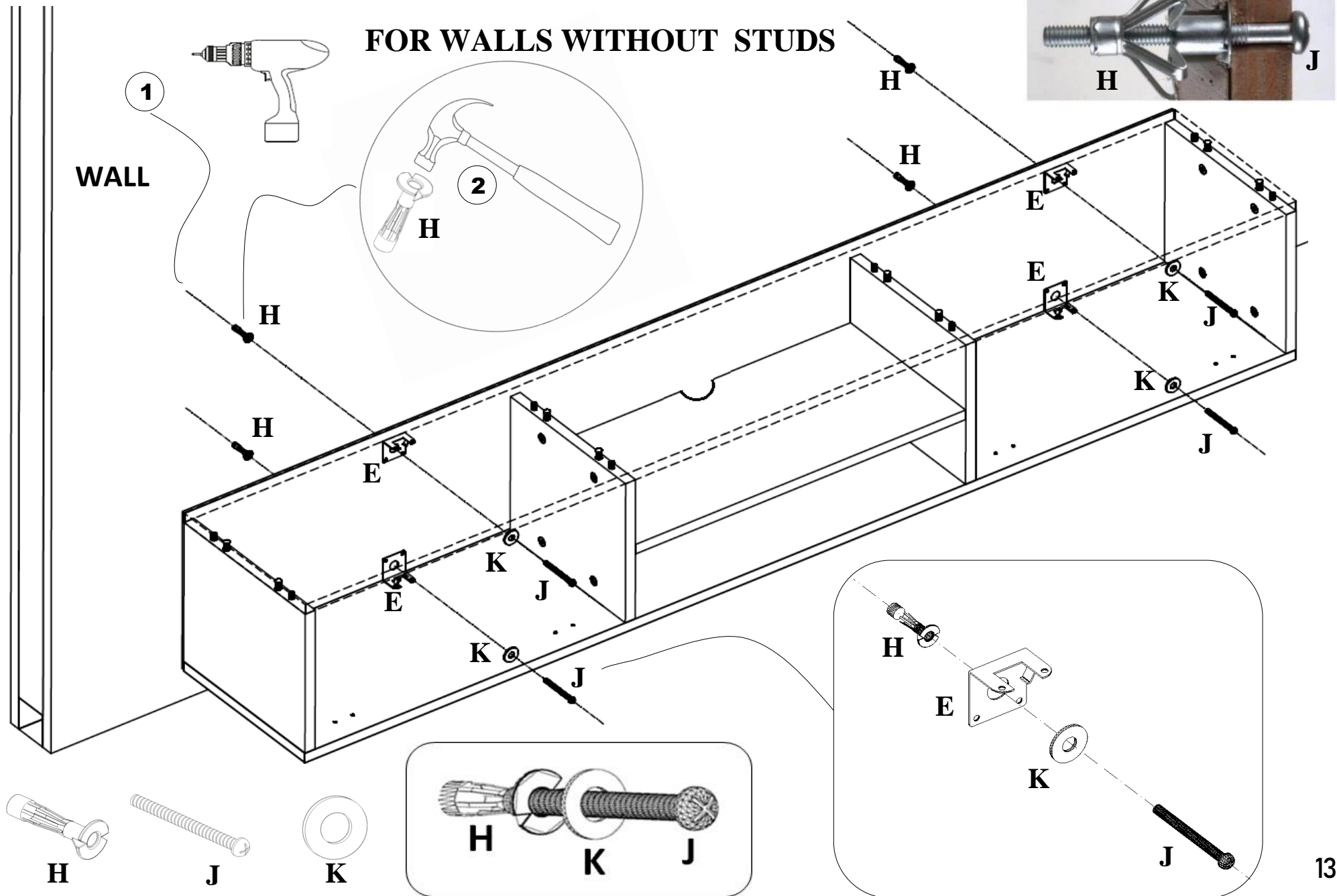


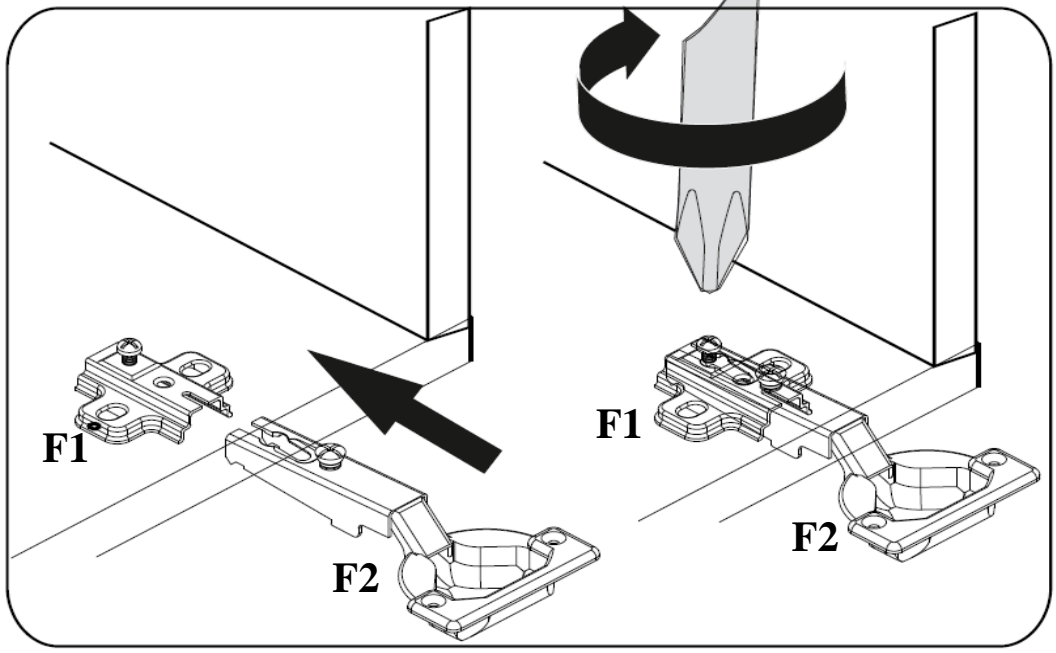
11.6



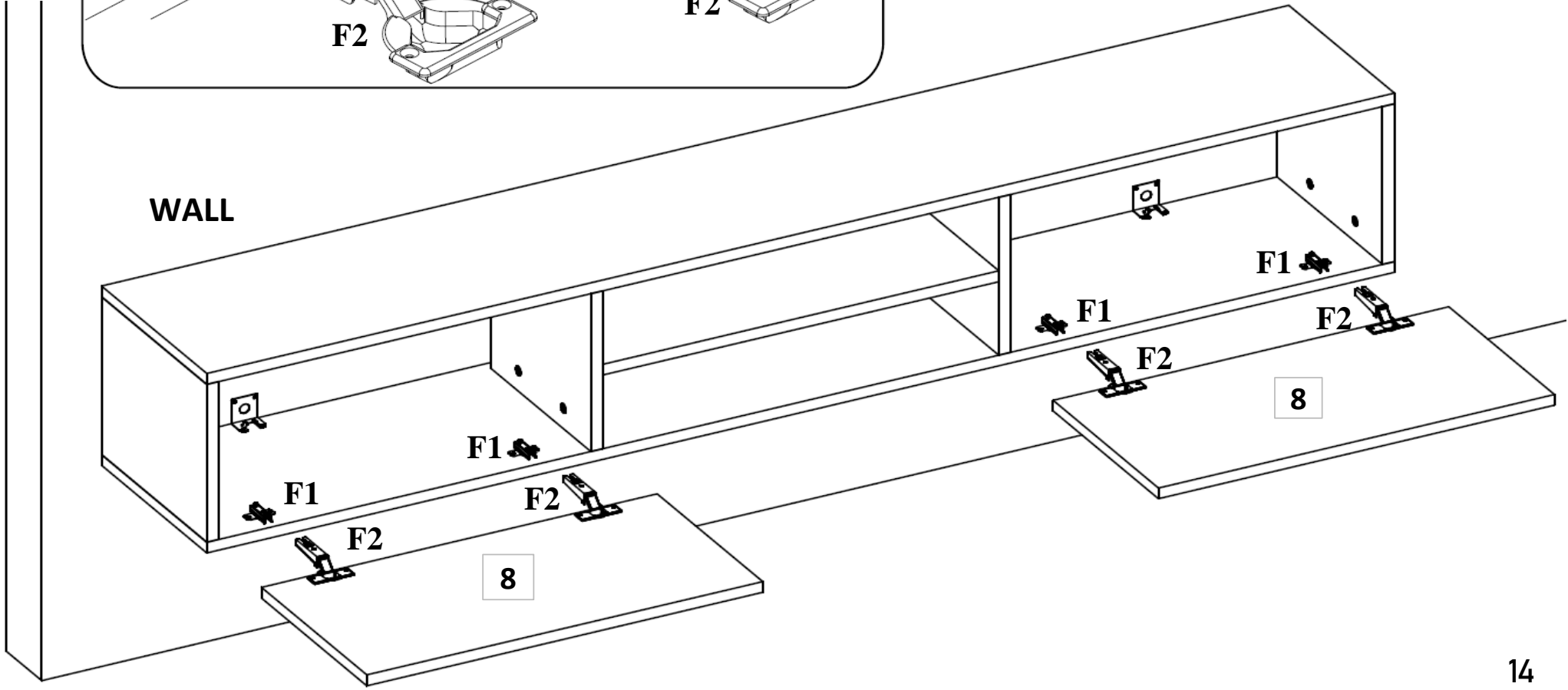
12

Open a hole in the wall for the H. Then install the H in to the hole. Install the TV unit by using K and J screws.



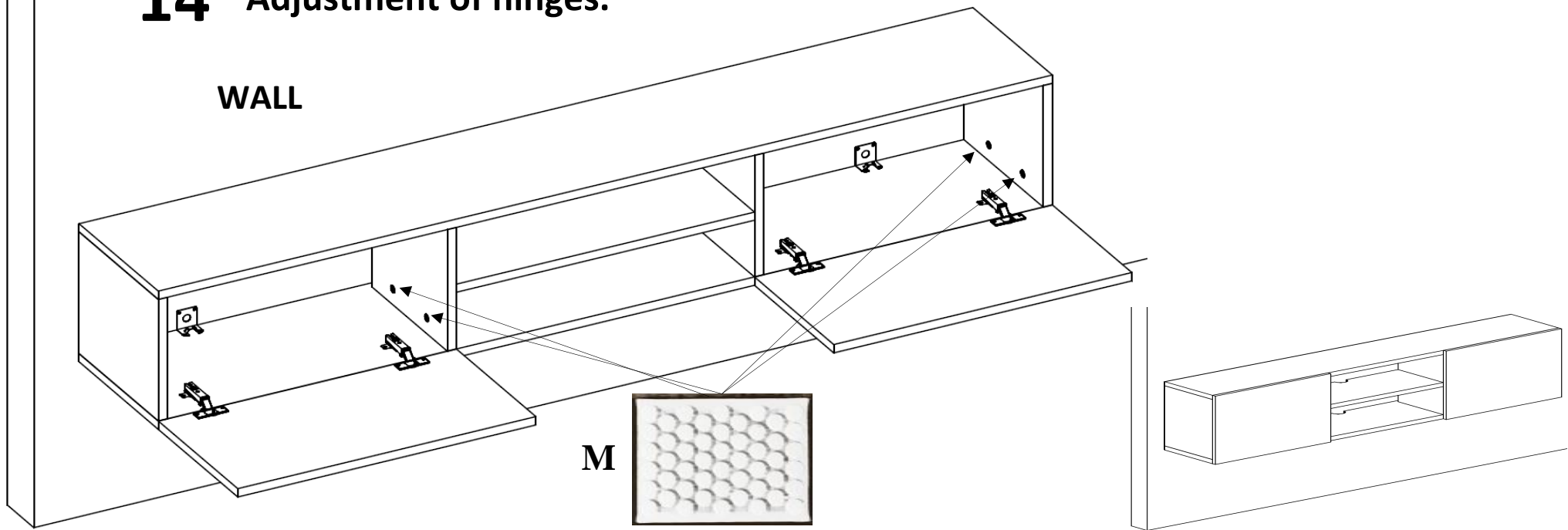


13 Fasten the hinges F2 to the hinges F1 on the panel 2.

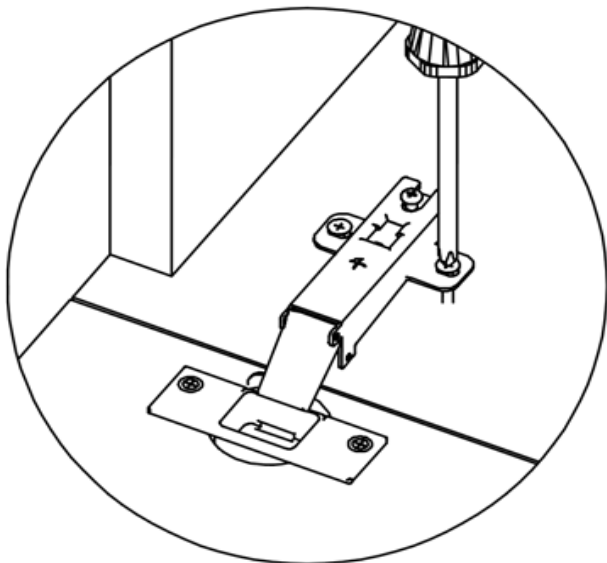


14 Adjustment of hinges.

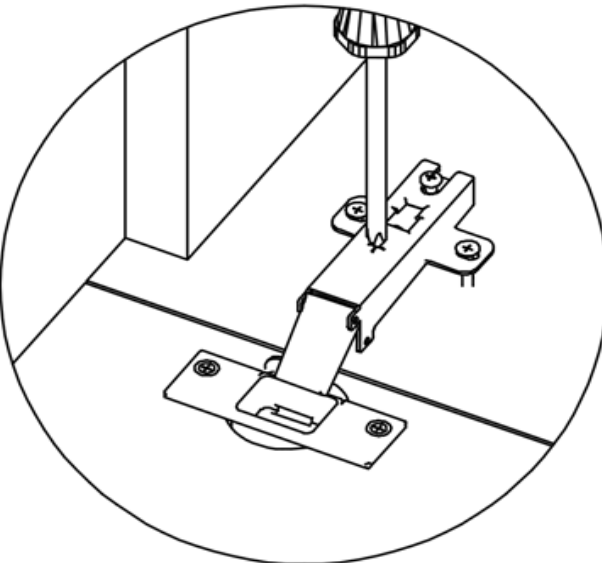
WALL



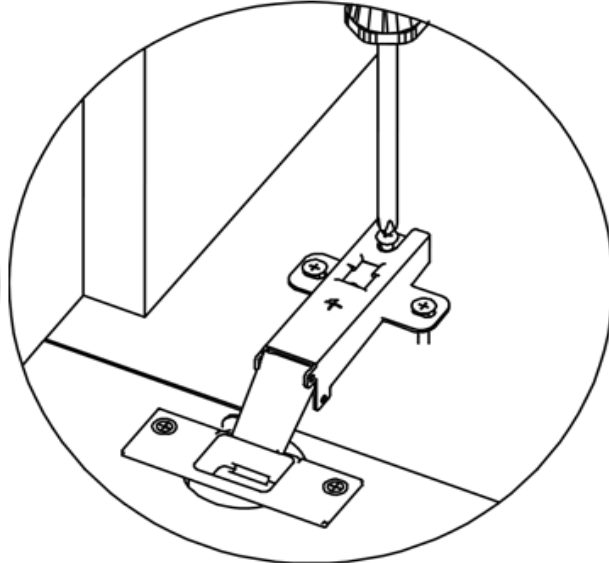
COVER ADJUSTMENTS



RIGHT - LEFT ADJUSTMENT



UP - DOWN ADJUSTMENT



FORWARD - BACK