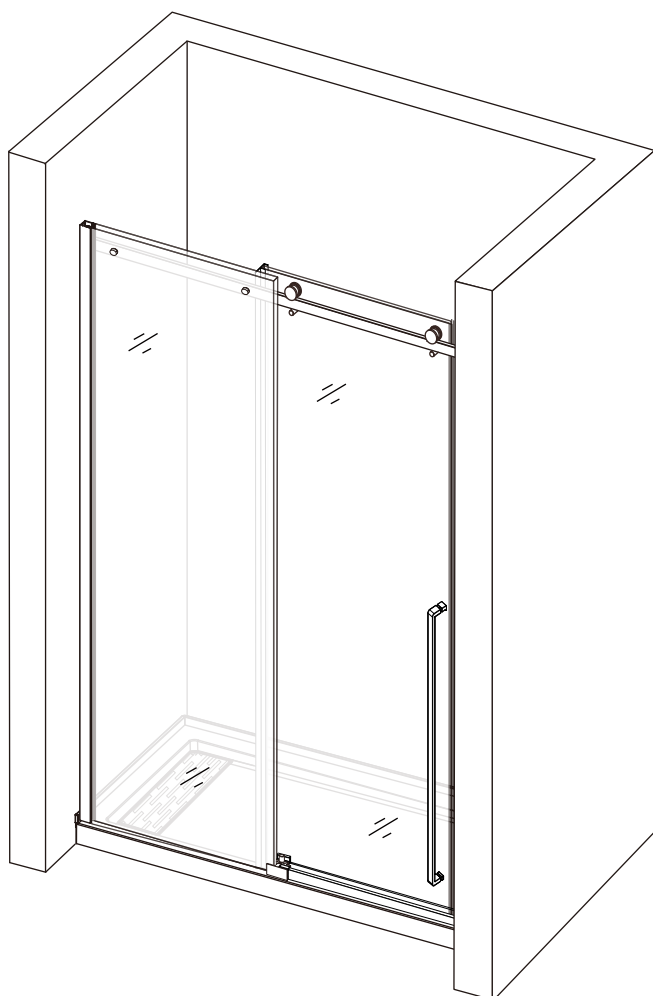


INSTALLATION MANUAL

- ⚠ Before starting installation, please take a few minutes to READ THIS MANUAL CAREFULLY.
- ⚠ Please check the product CAREFULLY for any visible damage.

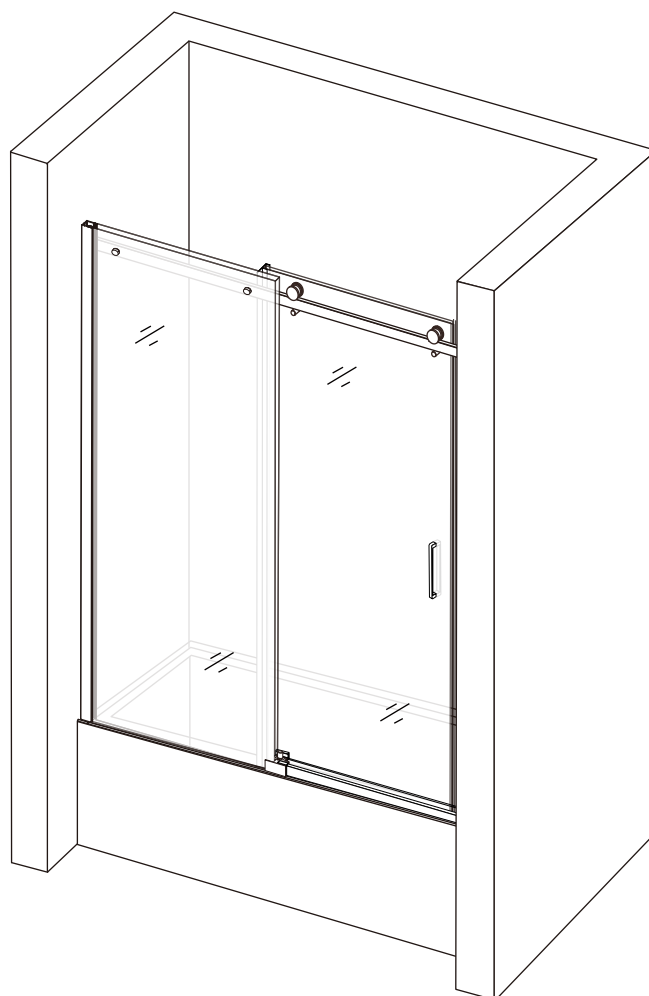
BORGIO

SHOWER DOORS : MVNSD1001BN
MVNSD1001MB



BORGIO

TUB DOORS : MVNBD1001BN
MVNBD1001MB



Important

To install your shower door unit, you must: (1) thoroughly read all instructions, warnings, cautions, and care and maintenance information; and (2) purchase the correct water supply components.

Inappropriate handling, incorrect installation of hardware and glass, or improper use of the product may result in breakage or personal injury, and may void the warranty.

Always wear safety equipment during installation, including goggles, work gloves, and shoes with closed toes.

Table Of Contents

Important	2
Table Of Contents	2
Warning	3
Care And Cleaning	3
Tools	4
Parts And Components	5
Parts List	6
Model Specific Preparation	7
Reversible	8
Left-hand Door Installation	9-27
Right-hand Door Installation	28-46
Troubleshooting	47

Warning

- ⚠ Tempered safety glass is designed to shatter into thousands of microscopic pieces when broken, significantly reducing the likelihood of severe bodily injury.
- ⚠ Prior to installation, inspect the glass and hardware thoroughly for any damage. Do not install glass that is broken. Do not install glass panels that have been dropped on, or bumped into any surface harder than itself.
- ⚠ Inappropriate handling may result in breakage. While incredibly resistant to direct impact, corners and edges are the most susceptible to damage and disintegration. These edges must be protected and handled with care, never coming into contact with materials harder than itself, including tile, stone, metal, or even other glass. Glass can be shattered by concentrated point of impact of contact with such material. Vibration and normal use may cause the discharge of tempered glass all at once or in stages, hours or even days later.
- ⚠ Failure may result from improper installation of hardware, roller, stoppers, or glass.
- ⚠ Never attempt to cut tempered glass.

NOTE:

- Walls must be within 3/5" of plumb (vertical). Dimensions at top and bottom of shower should be within 3/5" of each other.
- Cover tub or shower drain with rag or tape to avoid loss of small parts.
- Follow the silicone manufacturer's instructions for application and curing time.

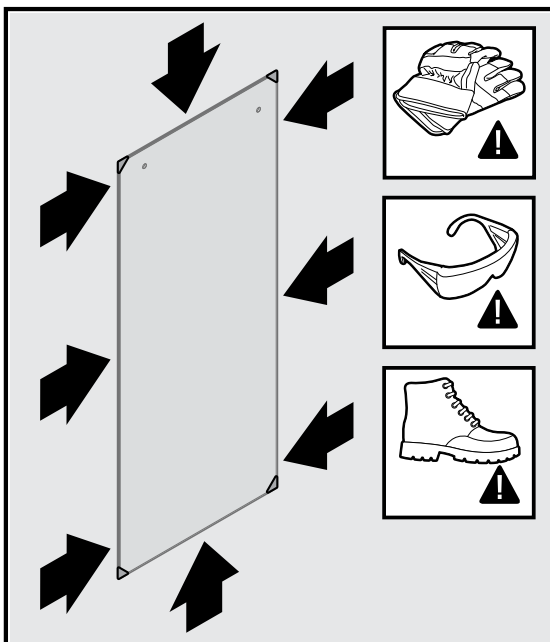
Care And Cleaning

For regular cleaning use **ONLY** mild detergents or warm, soapy water. Use **ONLY** non-abrasive cloth or sponge. **ALWAYS** rinse surfaces after cleaning. Before cleaning this product with cleaning products, test a small, inconspicuous area.

CAUTION: Manufacturer does not recommend the use of cleaning products that contain any of the following chemicals. Use of products containing these chemicals can cause the products to discolor and will void the warranty.

- Naphtha
- Hydrogen Peroxide Solution (common household peroxide)
- Toluene
- Ethyl Acetate
- Lye (common in drain cleaner)
- Acetone

For optimal maintenance it is recommended that the glass panels be squeegeed on a regular basis after the shower is used. For further inquiries, contact customer service at support@morvano.com. Professional installation service can be provided.



BEFORE BEGINNING YOUR INSTALLATION, fully inspect the edges and corners of your glass panels for any nicks, chips or scratches which might have occurred during the transportation of your glass panels. If you see any wear or damage to your glass panels contact:support@morvano.com.

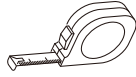
⚠ CAUTION

Installing glass panels with any nicks, chips or scratches may result in personal injury, property damage, or product failure.

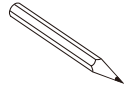
Tools



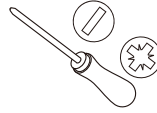
Level



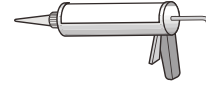
Tape Measure



Pencil



Phillips Screwdriver



Silicone



Power Drill



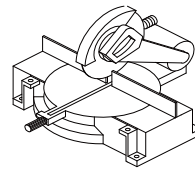
**Drill Bit
Ø1/4"
(6mm)**



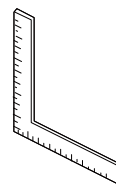
**Drill Bit
Ø5/16"
(8mm)**



Soft Head Hammer



Miter saw



Square



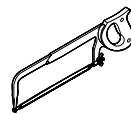
Soft Cloth or Blanket



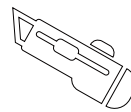
Safety Glasses



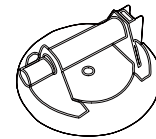
Work Gloves



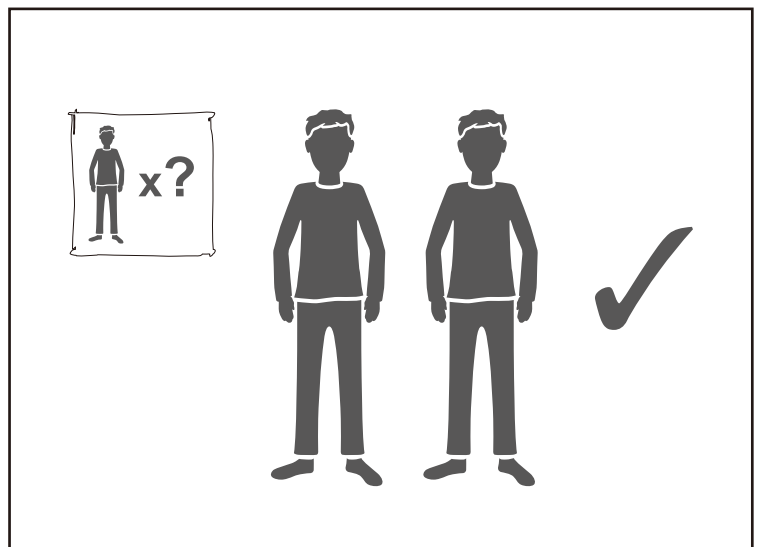
Hacksaw



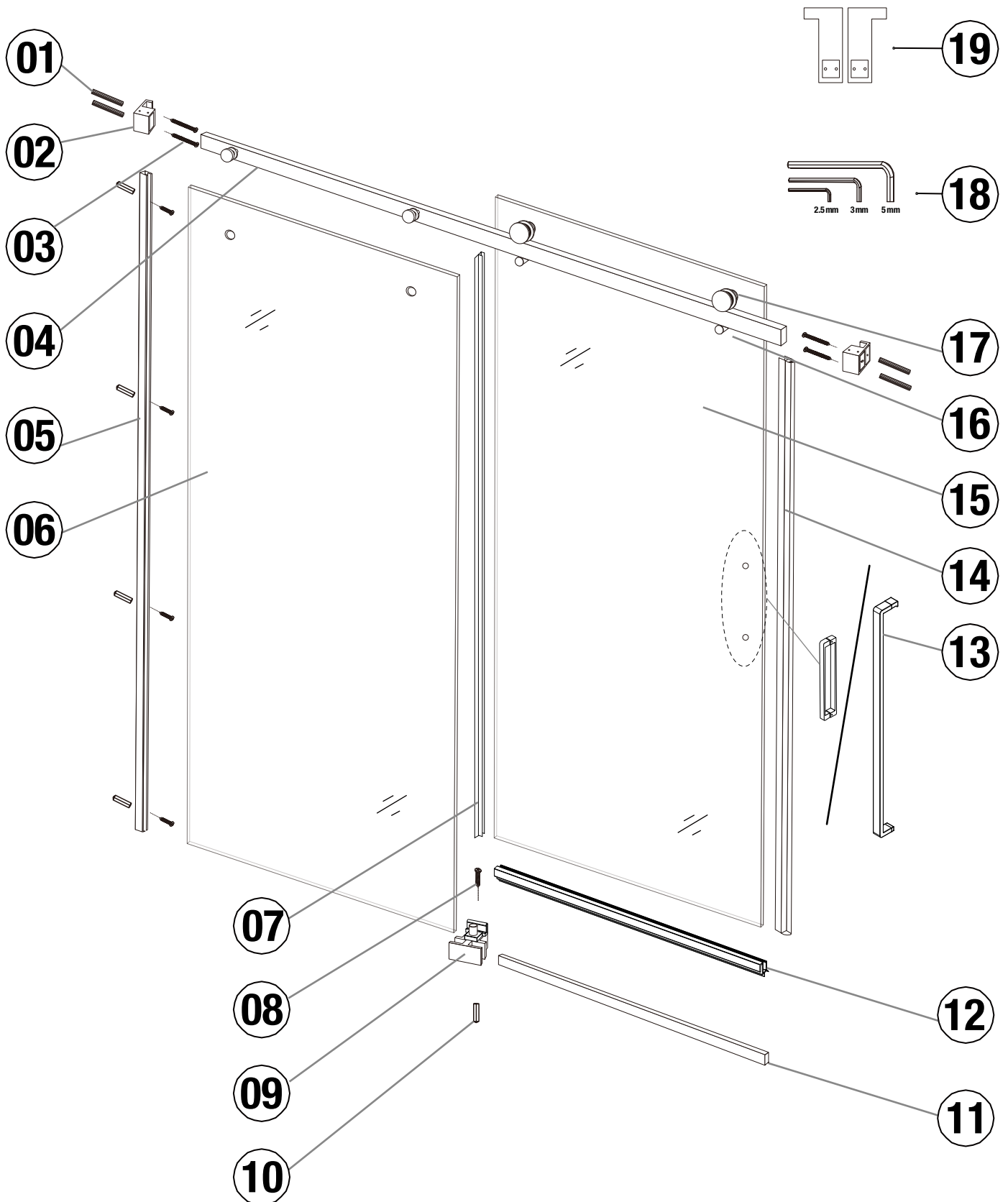
Razor Knife



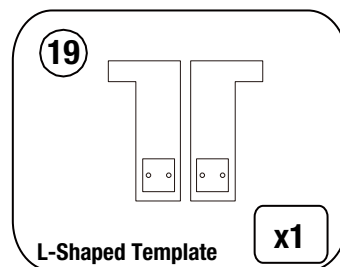
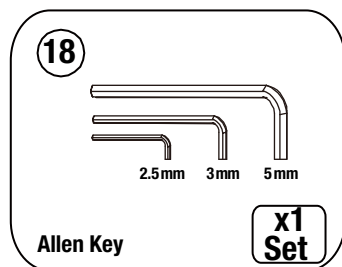
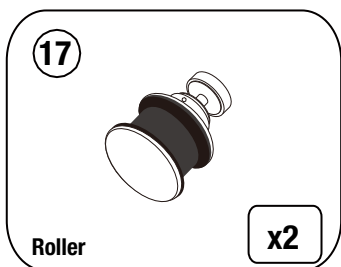
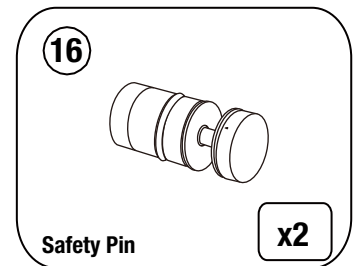
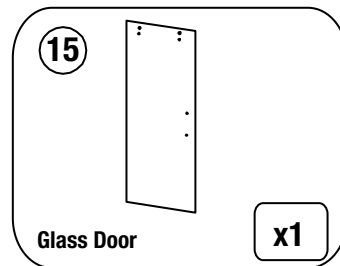
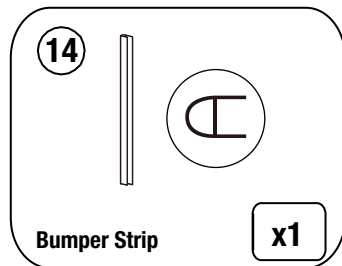
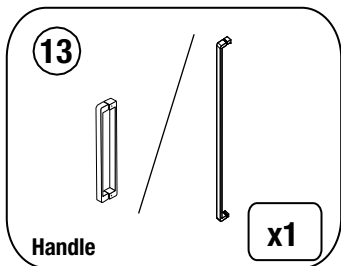
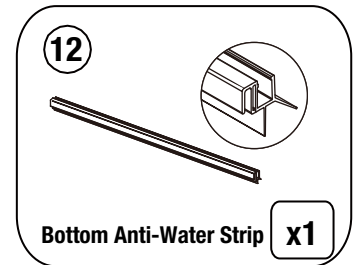
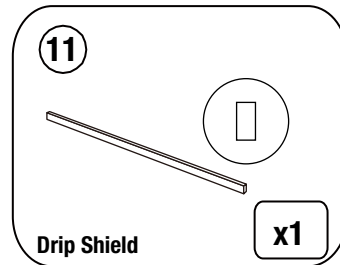
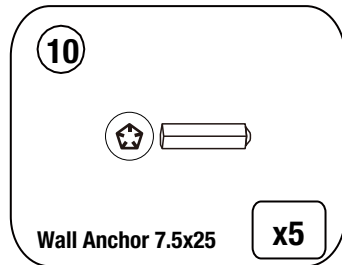
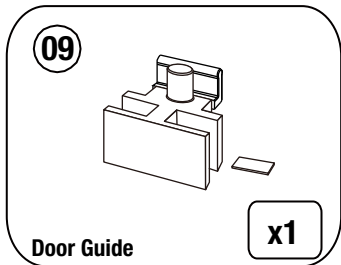
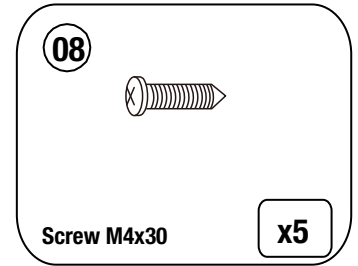
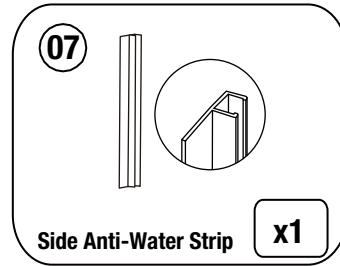
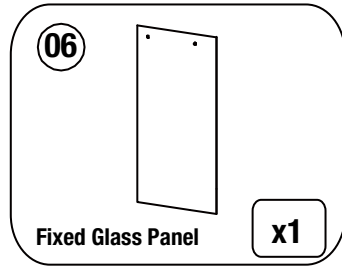
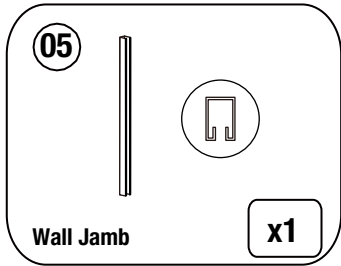
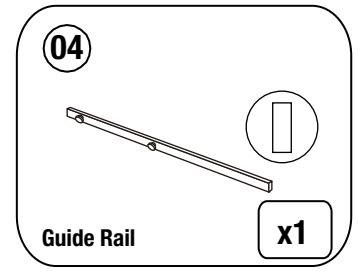
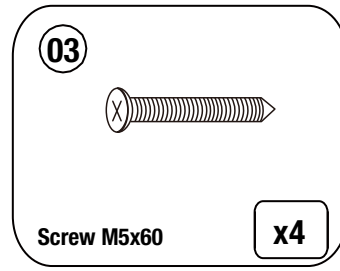
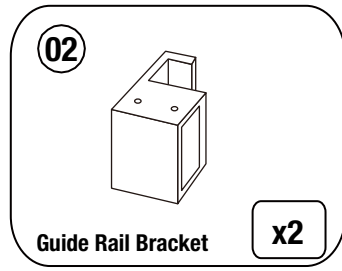
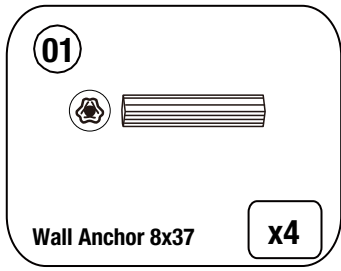
**Professional-grade
Glass suction cup**



Parts And Components



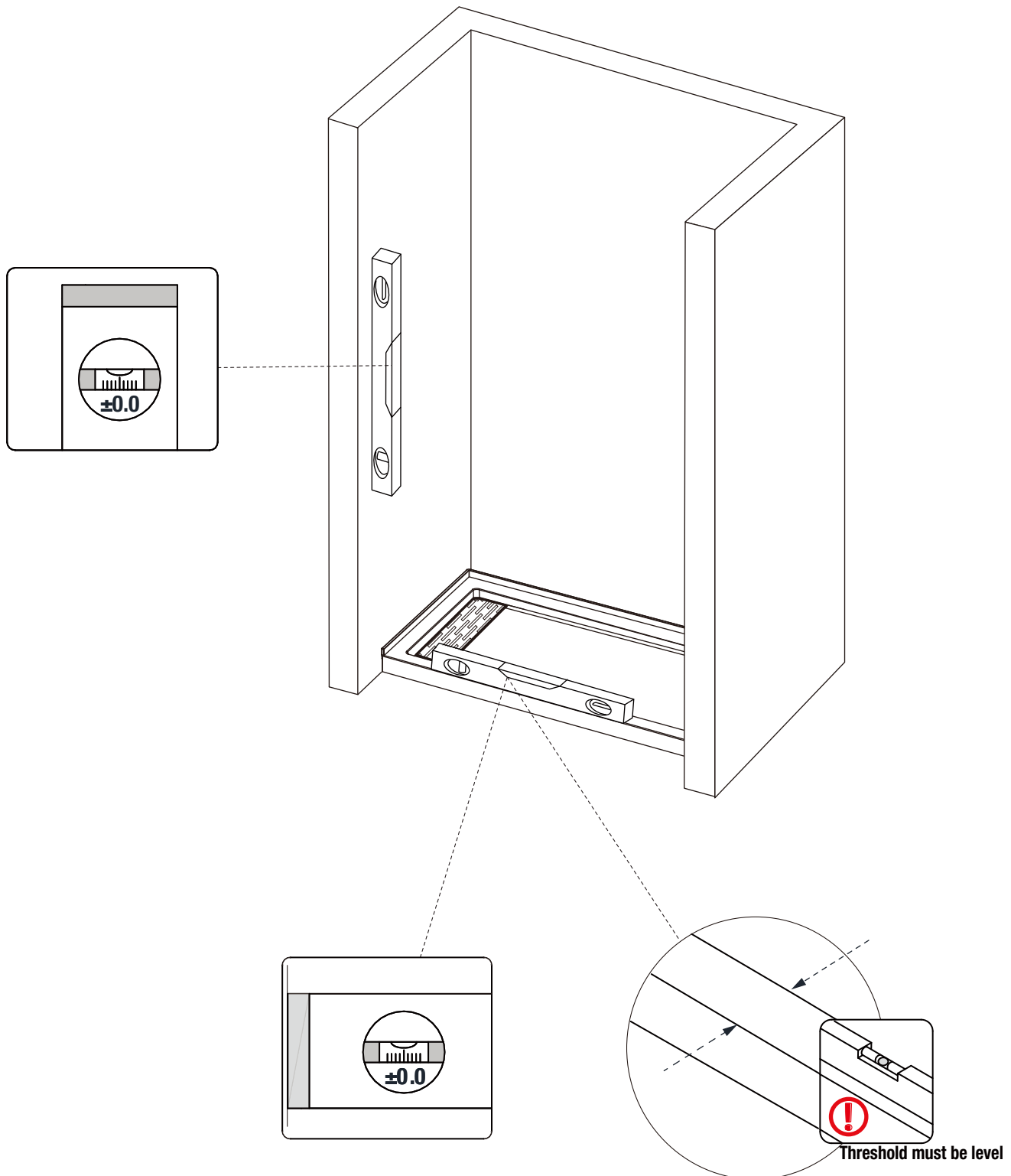
Parts List



Model Specific Preparation

Verify the threshold and walls with a level.

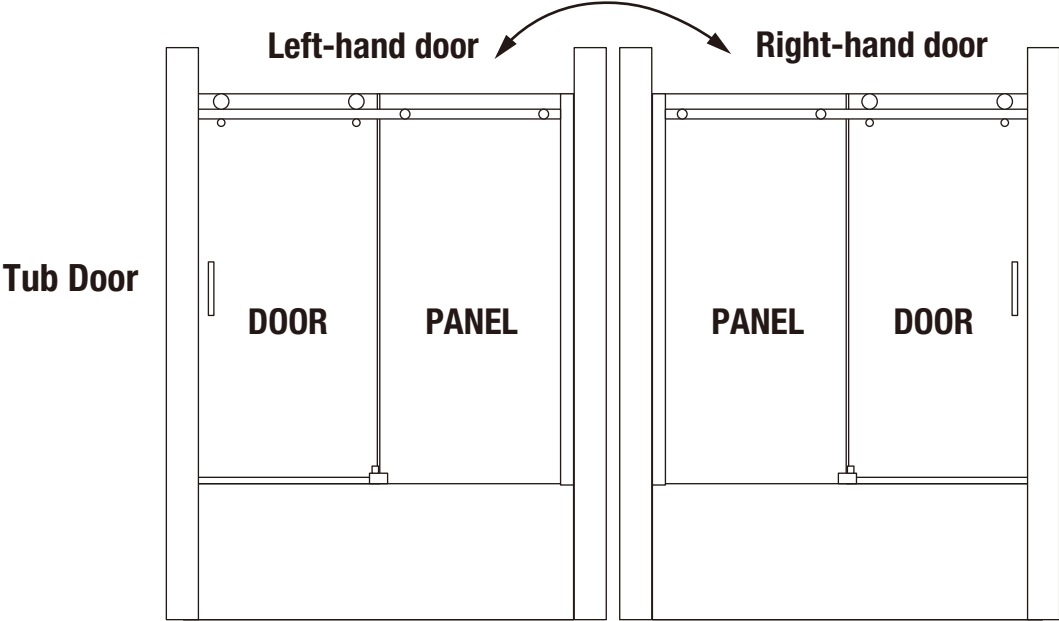
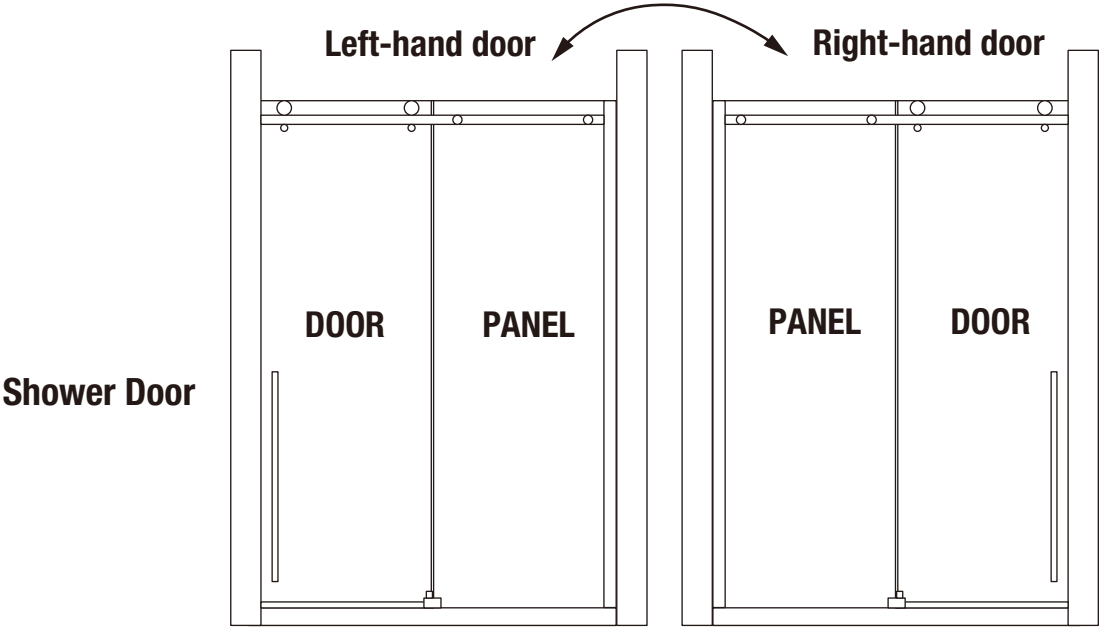
If the walls are uneven, the products can accommodate up to 3/5" door side for out-of-plumb installation.



Reversible

NOTE

This model is reversible for right or left-hand door installation. For left-hand door installation, please refer to P9-P27, for right-hand door installation, please refer to P28-P46.



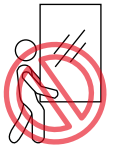
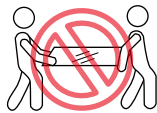
P9 - P27

P28 - P46

CAUTION!



TWO PERSON LIFT REQUIRED

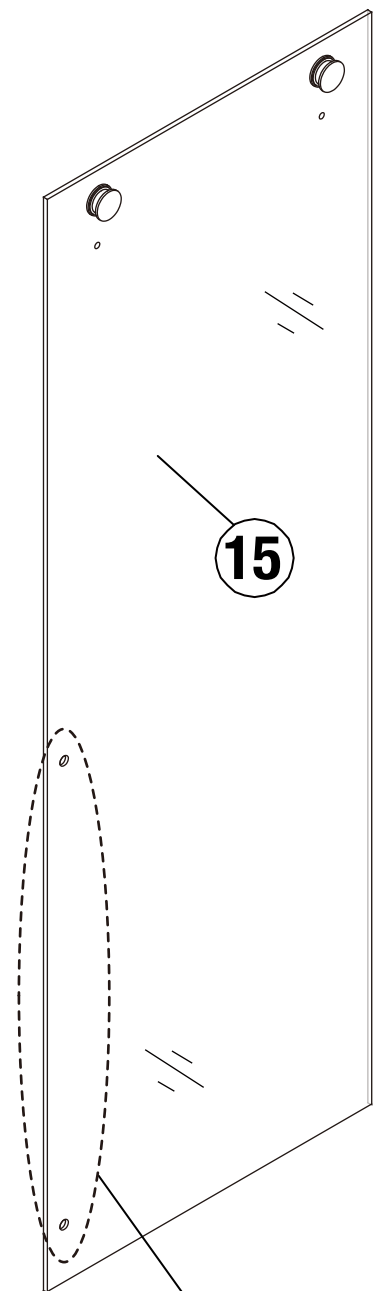
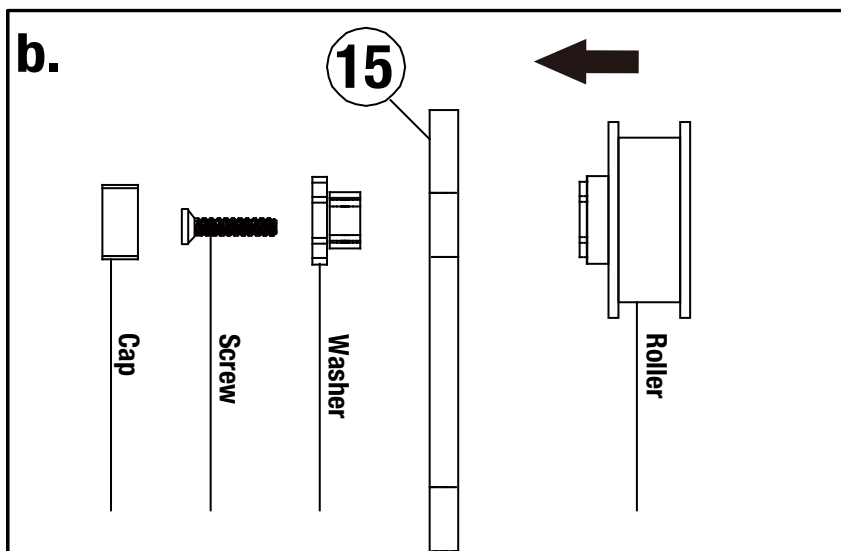
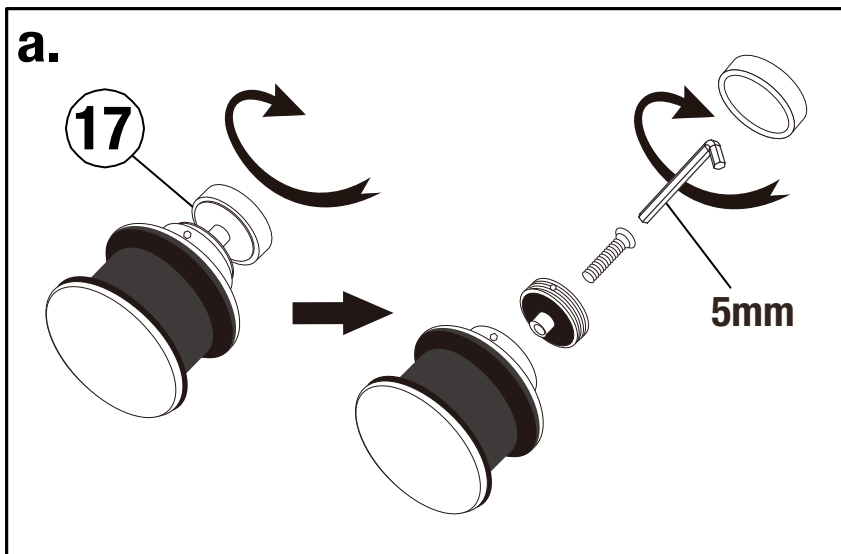


Roller Installation

NOTE

Left-hand door installation shown. For right-hand door installation, please refer to P28-P46.

Loose the rollers (17), apply them on the top of the glass door (15), make sure the handle holes are on the left-hand side.



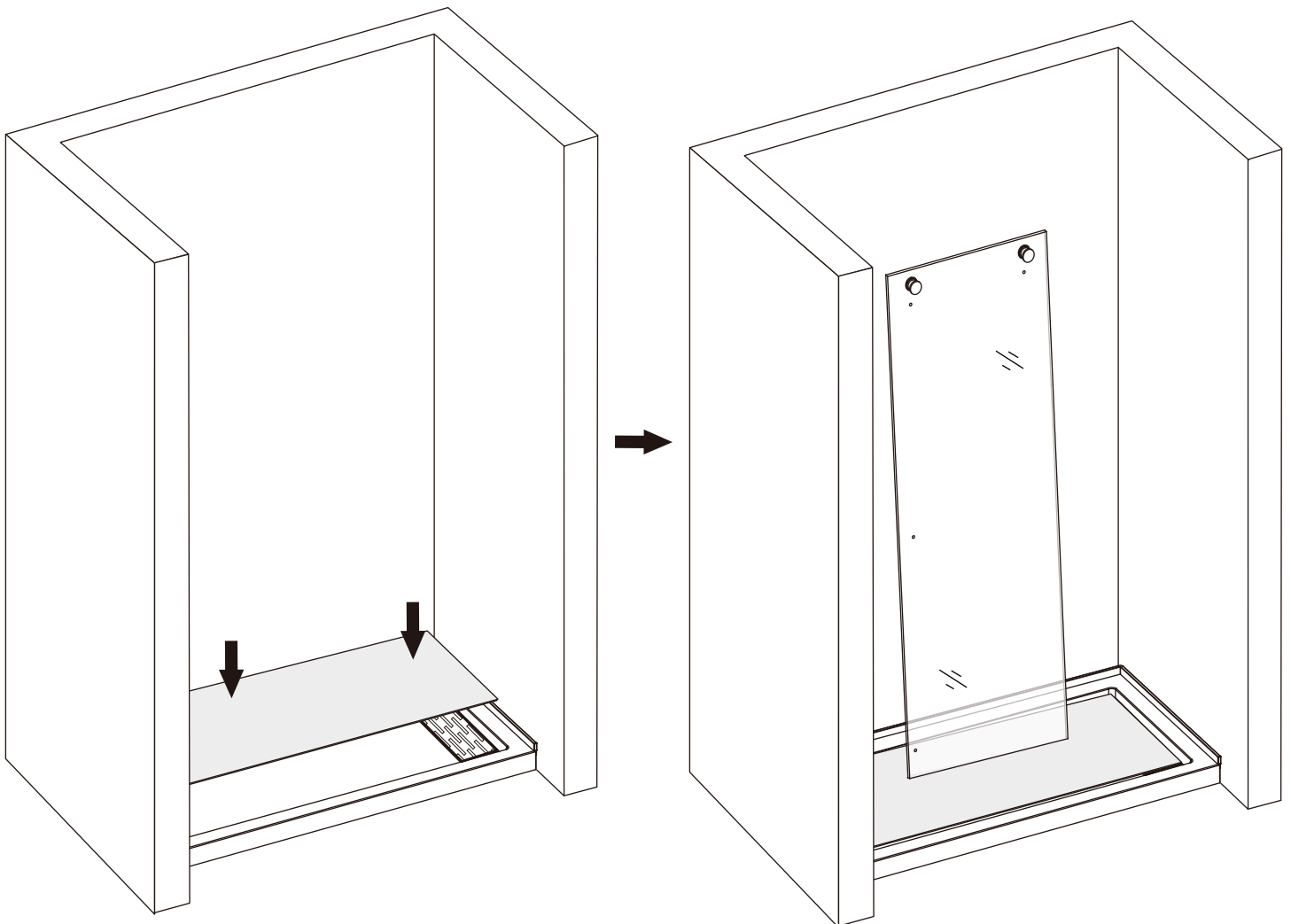
Handle holes
on the left-hand

Glass Door Installation

Cover the shower base with a soft cloth/blanket. Carefully handle the glass door (15) to avoid scratching the shower base.

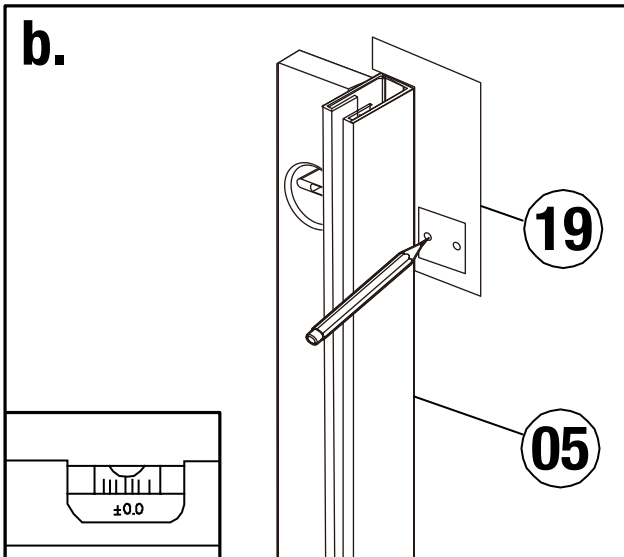
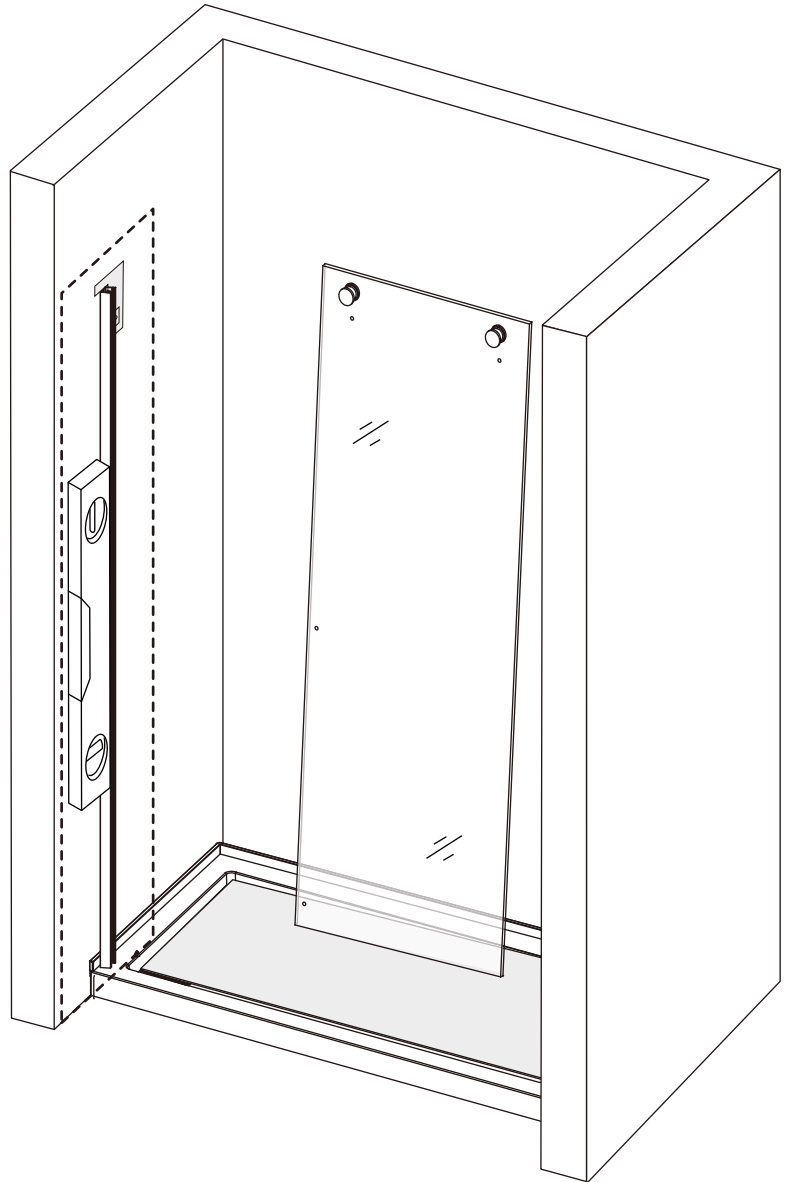
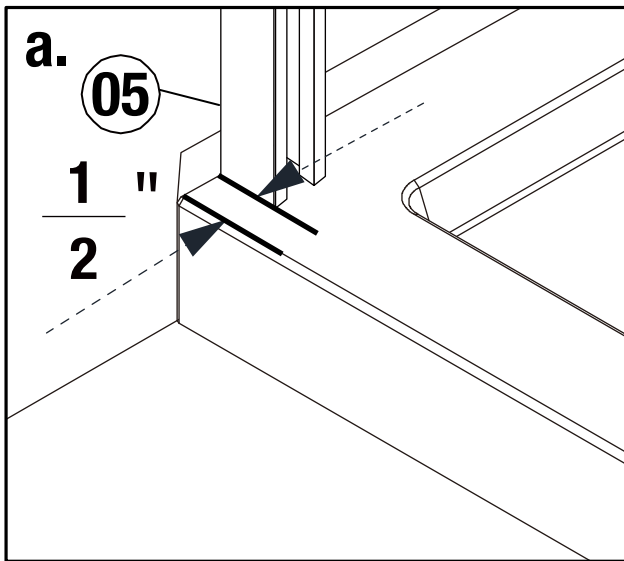


DO NOT attach the handle to the Door Glass until instructed.
DO NOT attempt to lift the Glass Door with the handle as this may result in damage to the glass and/or serious personal injury. Use a professional grade glass suction cup and an assistant.



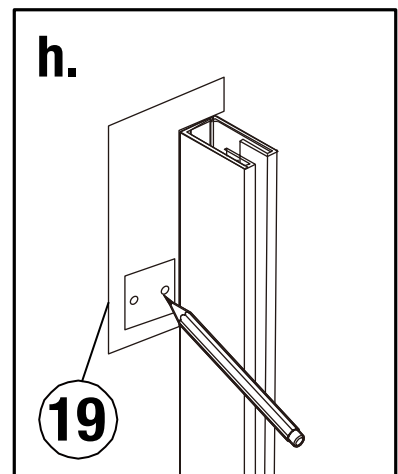
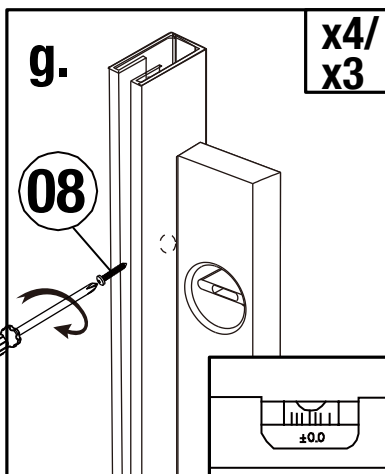
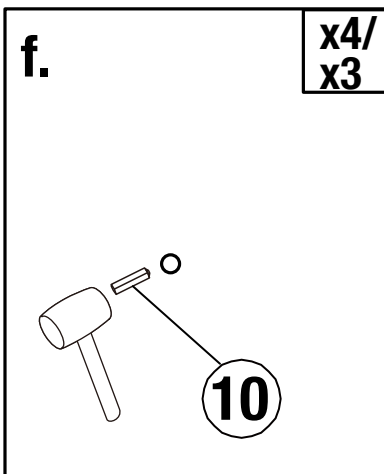
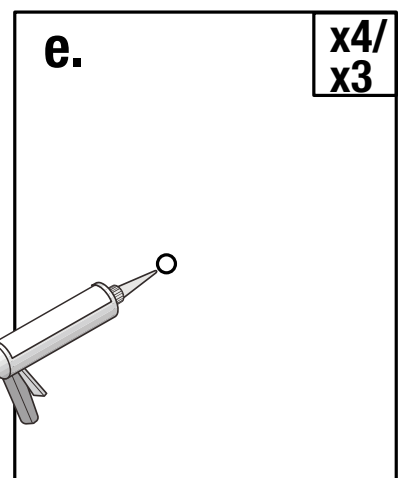
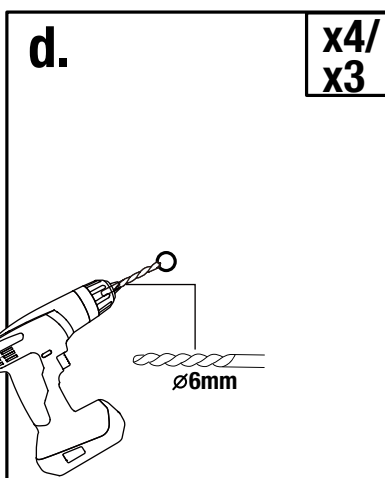
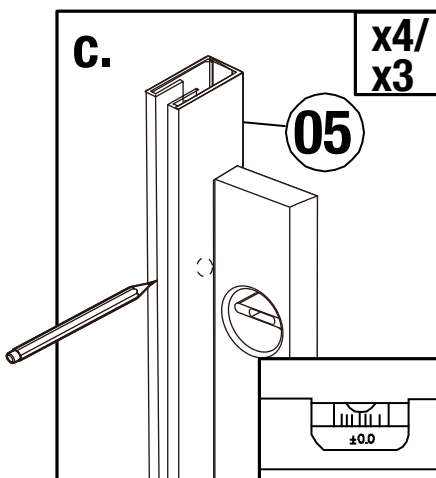
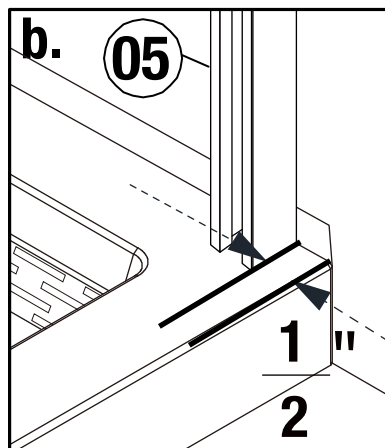
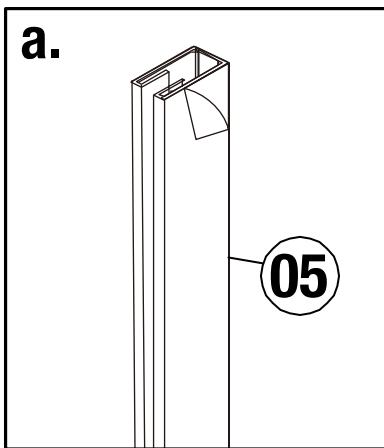
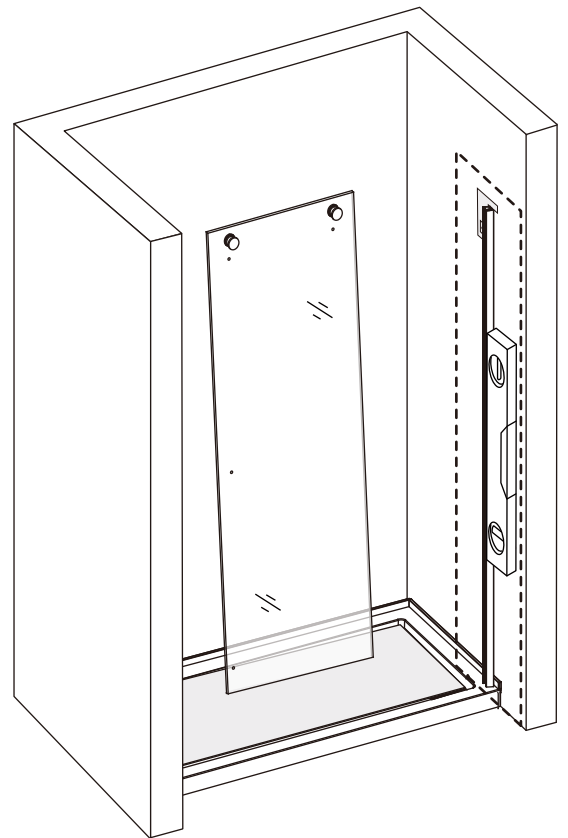
Guide Rail Installation

Mark down the predrilled position of the Guide Rail Bracket (02) using the L-shaped Template (19) and Wall Jamb (05) on the left wall.



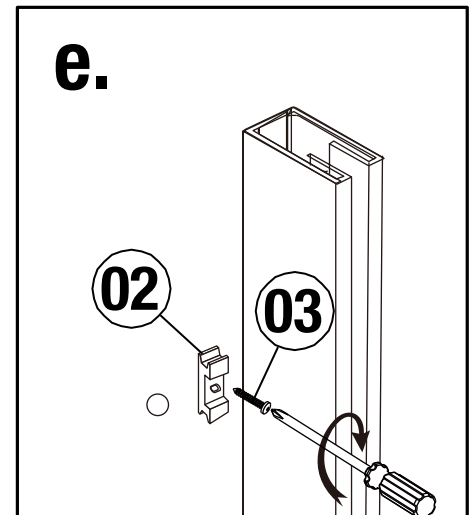
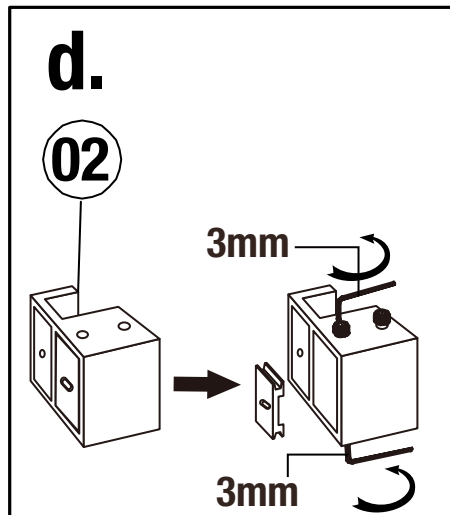
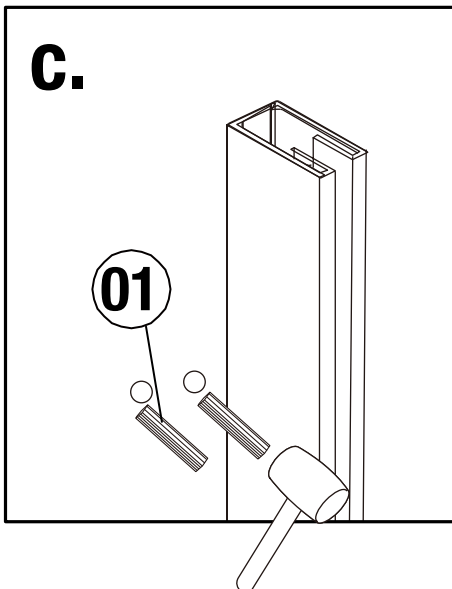
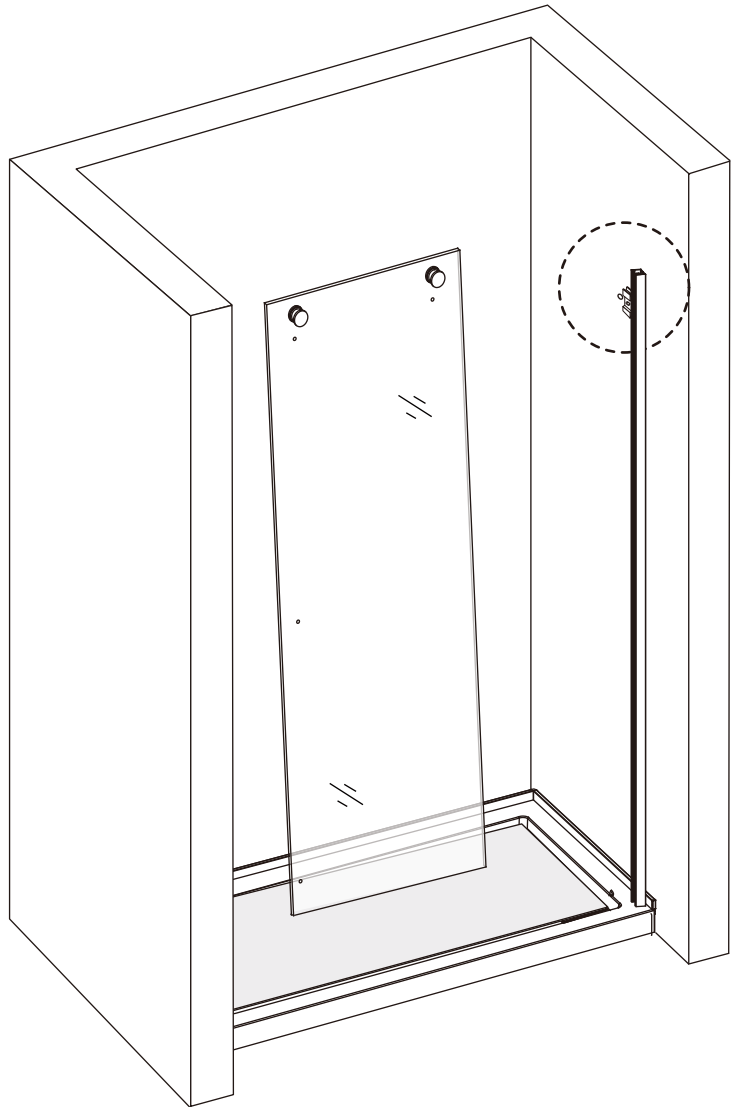
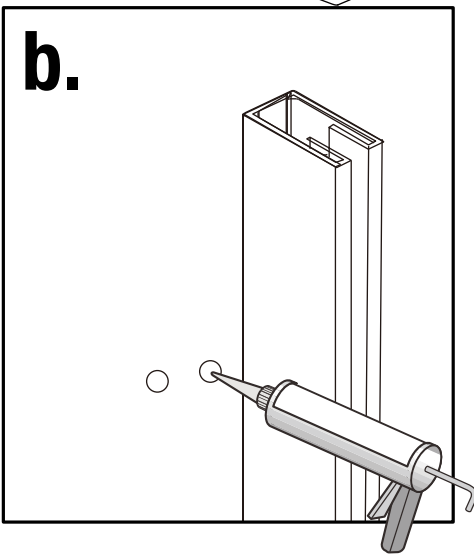
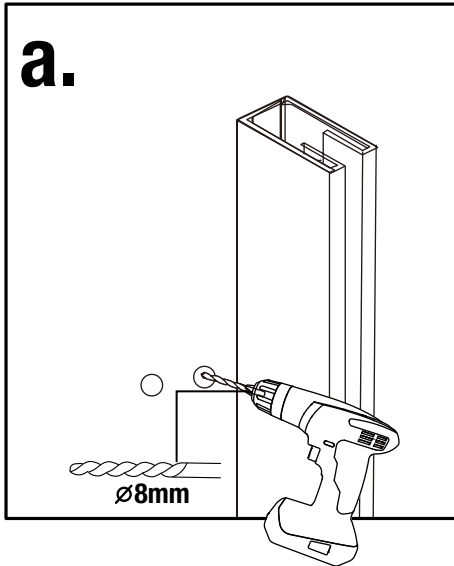
Wall Jamb Installation

Place the Wall Jamb (05) on the right side, mark down the predrilled position of the Wall Jamb (05) (4 holes for shower door or 3 holes for tub door). Drill the hole with 6mm drill bit, put silicone to the hole and then put anchor into the hole. Secure the Wall Jamb with M4*30 Screws (08).



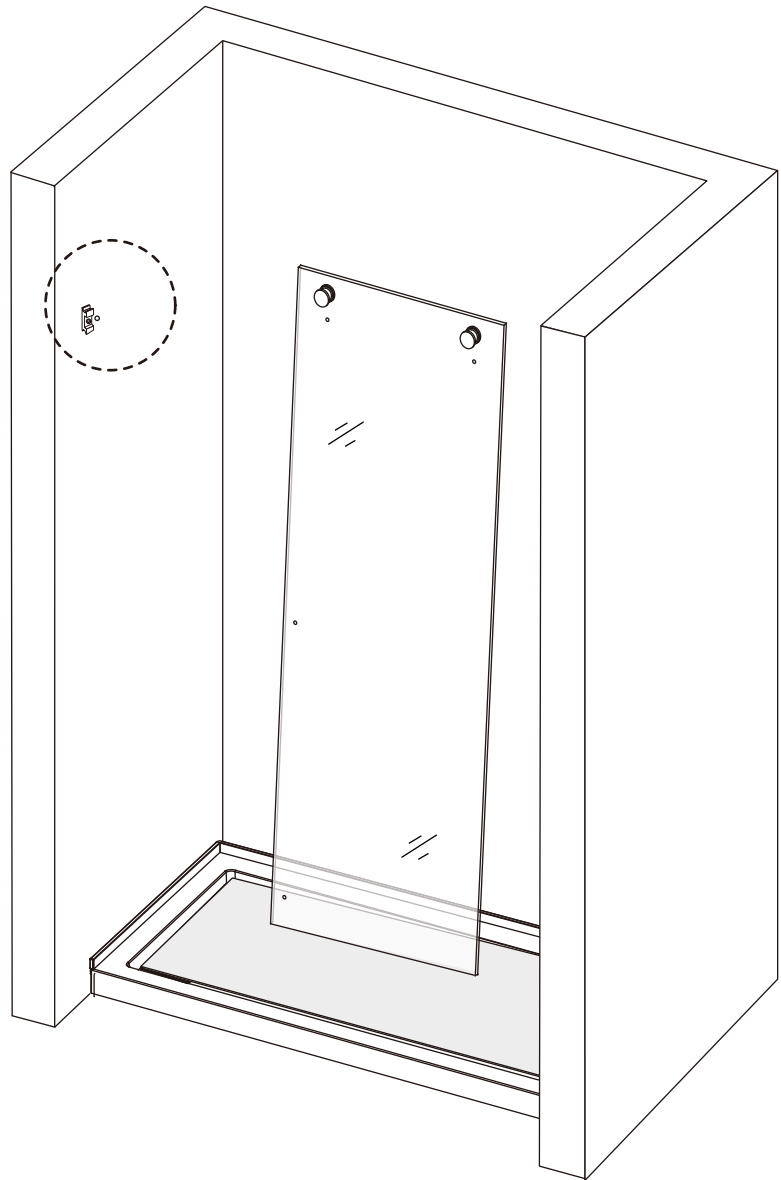
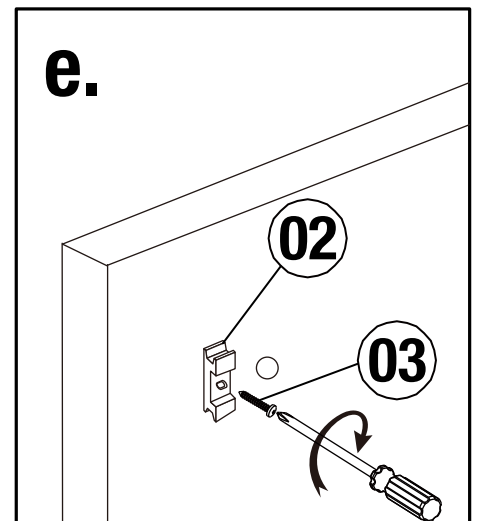
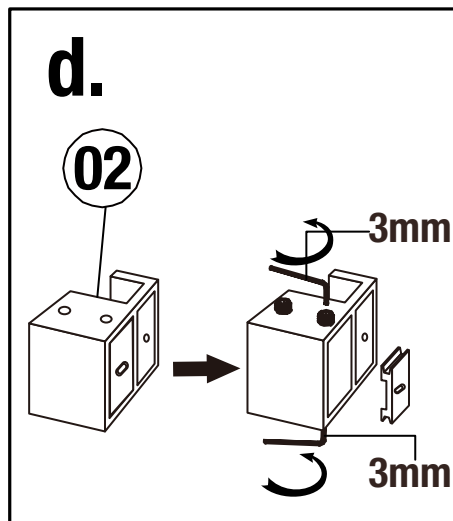
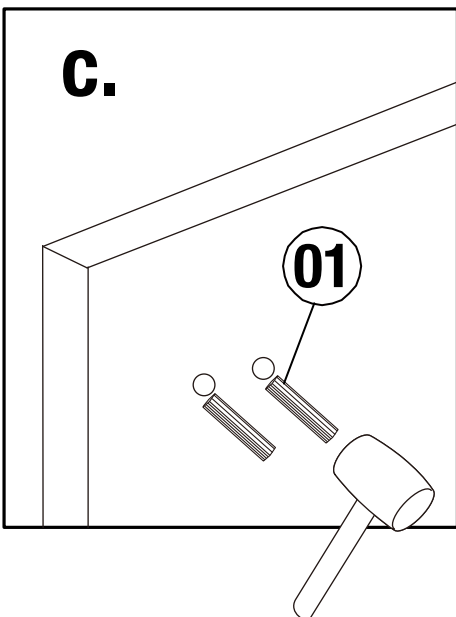
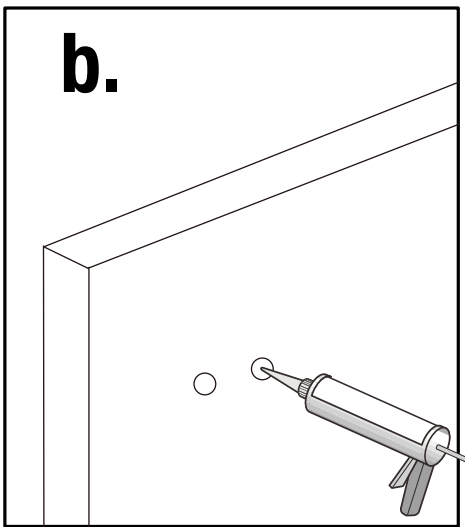
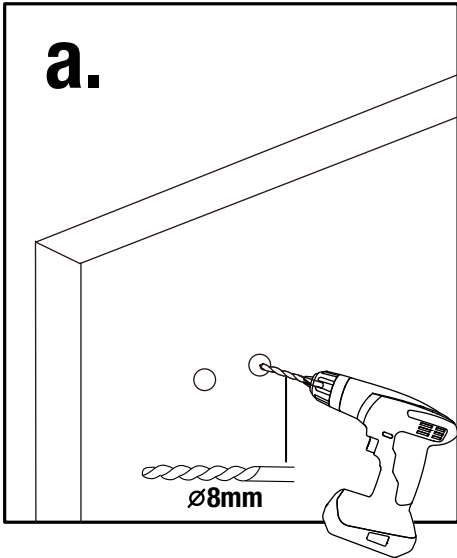
Guide Rail Bracket Installation

Mark down the predrilled position of the Guide Rail Bracket (02) . Drill the holes using 8mm drill bit and apply silicone into the holes, insert the Wall Anchors (01). Remove the Wall Bracket from the Guide Rail Bracket (02) and mount to the wall using the Screws M5*60 (03).



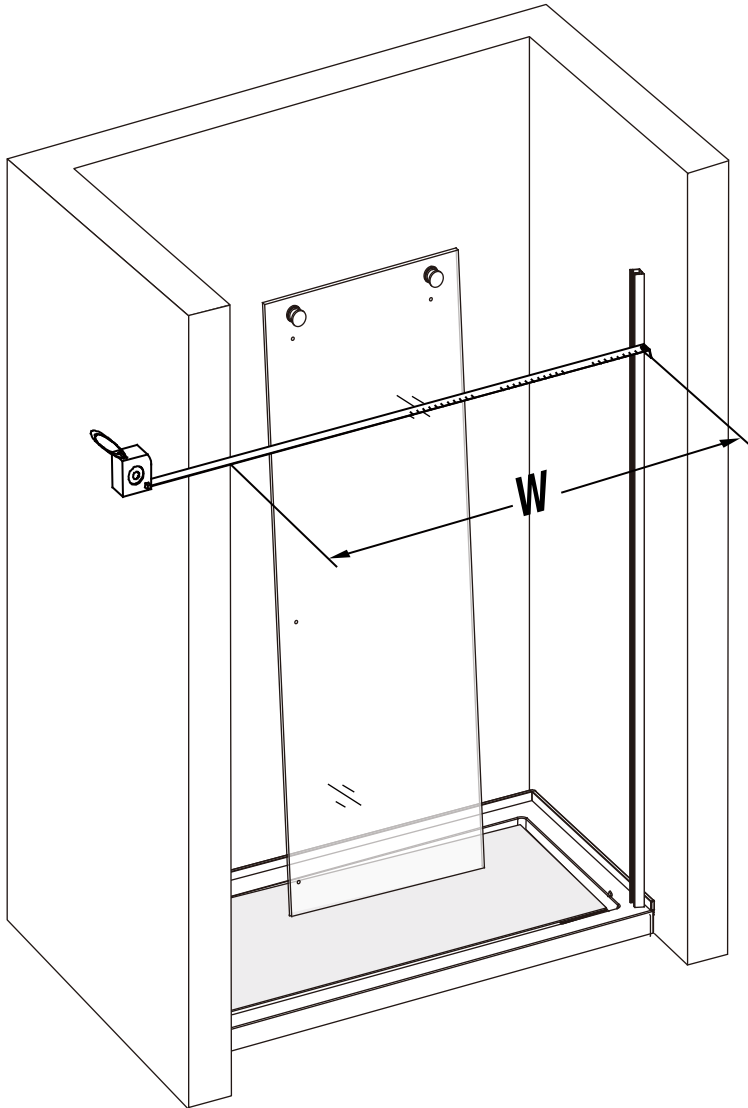
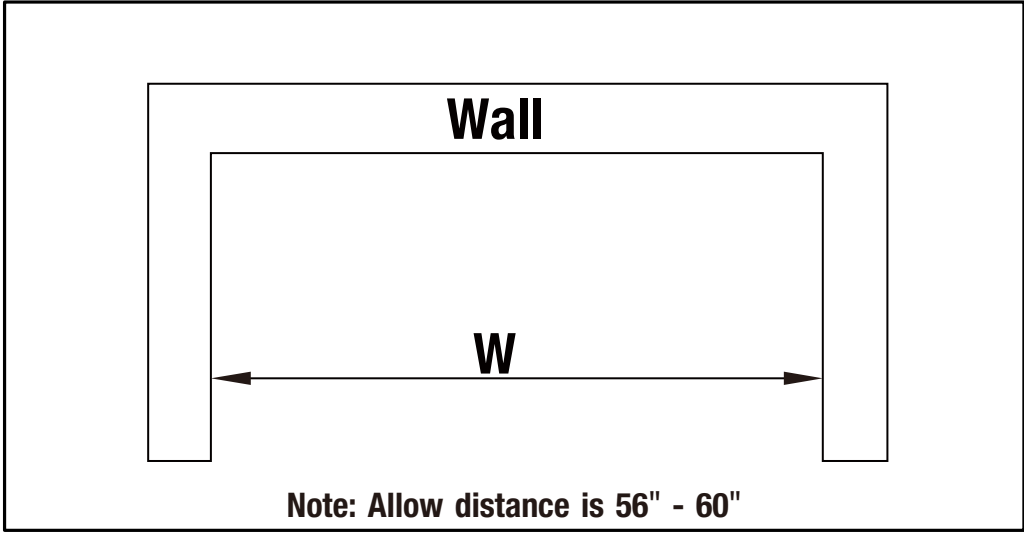
Guide Rail Bracket Installation

The other side is installed in the same way.



Measure The Width

Measure the distance between two finished walls. This distance is marked as W.

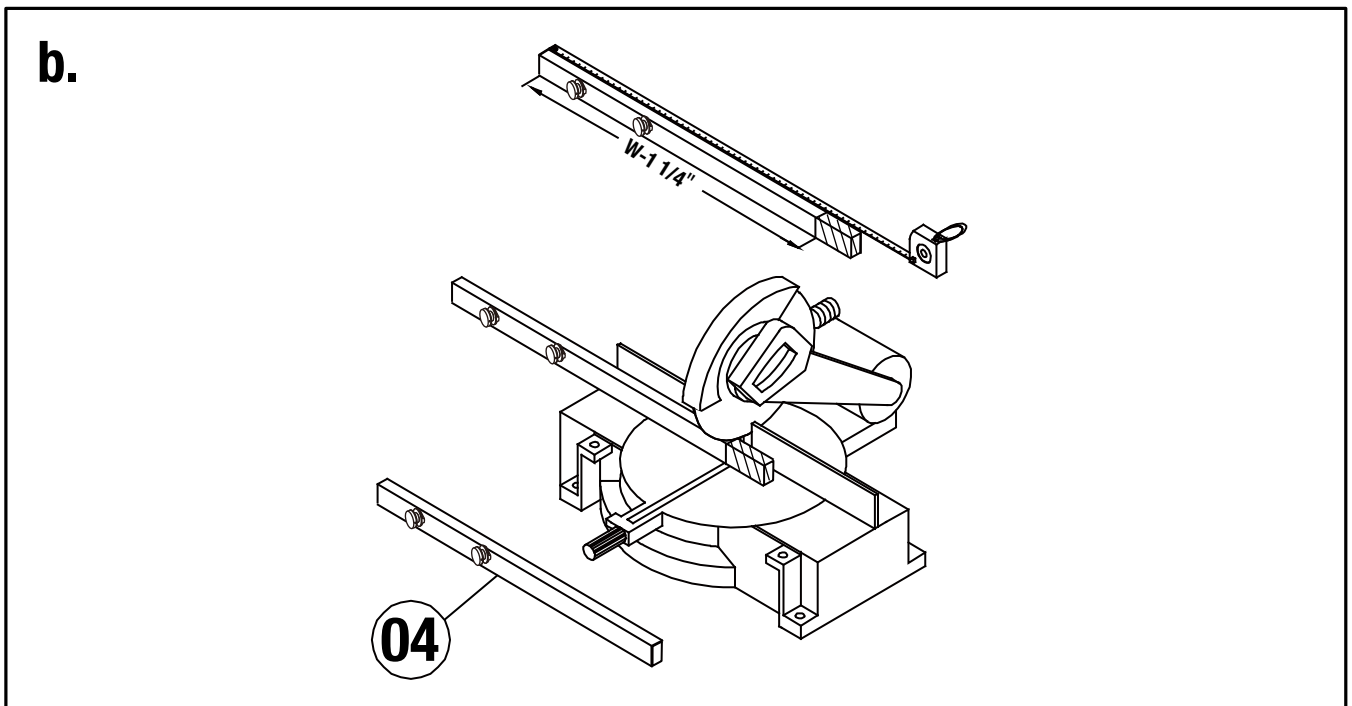
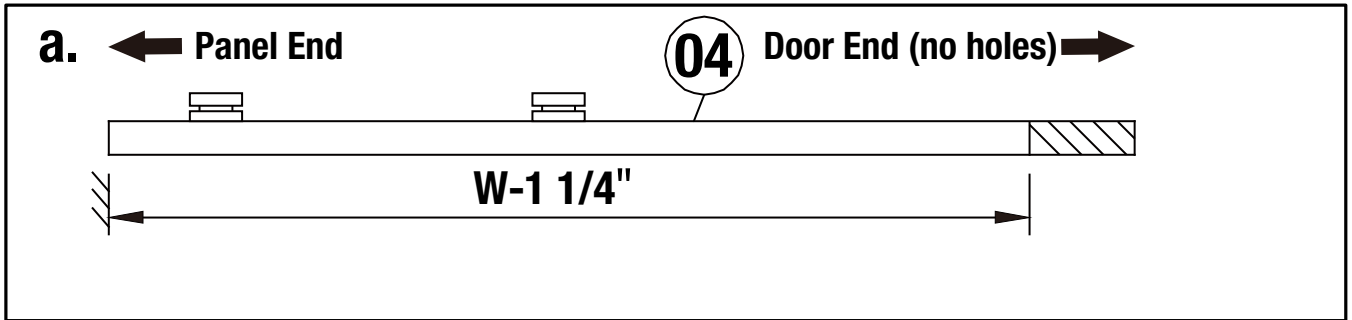


Guide Rail Installation

W = Width of the wall

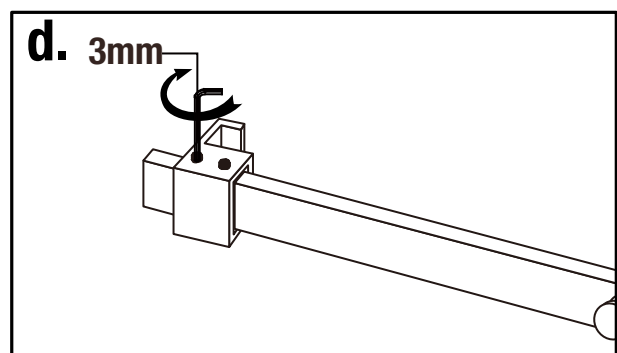
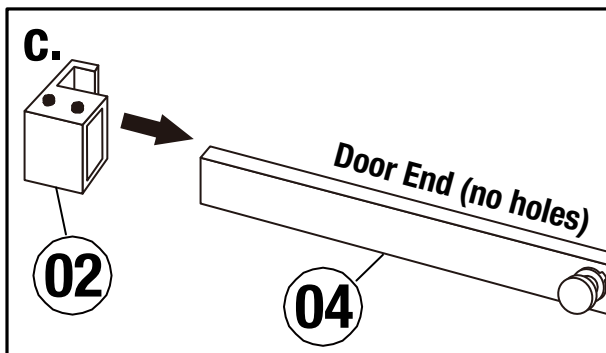
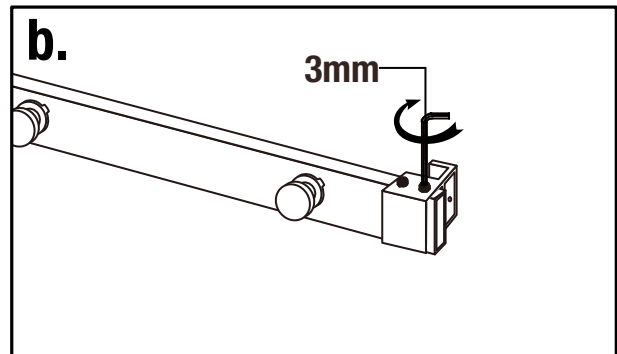
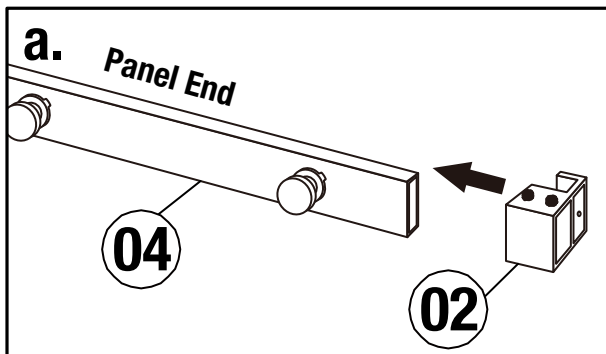
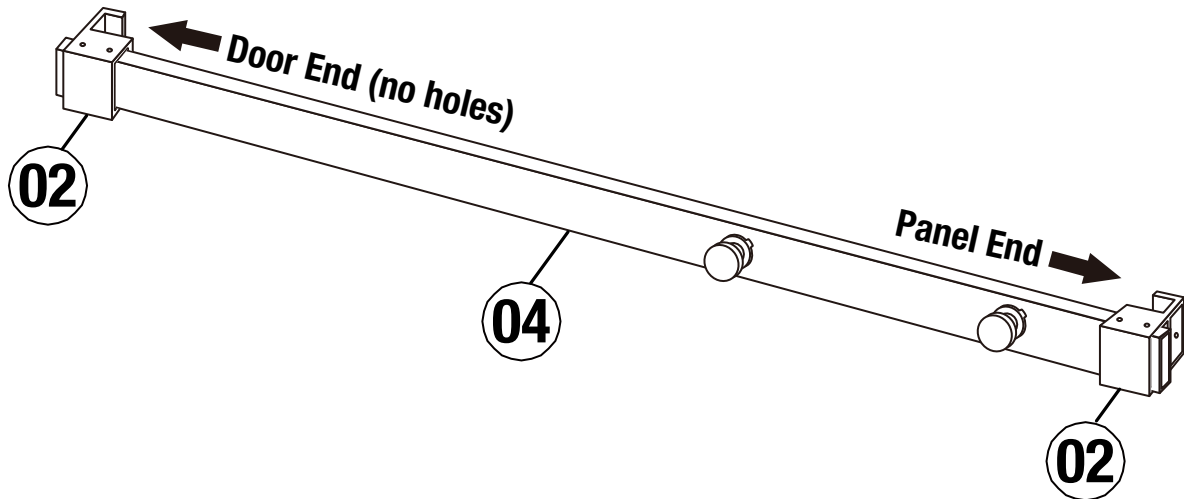
If $W = 60''$, it is **UNNECESSARY** to cut the Guide Rail (04).

If $W < 60''$, measure $W - 1 \frac{1}{4}''$ from the panel end and cut the Guide Rail (04) accordingly.



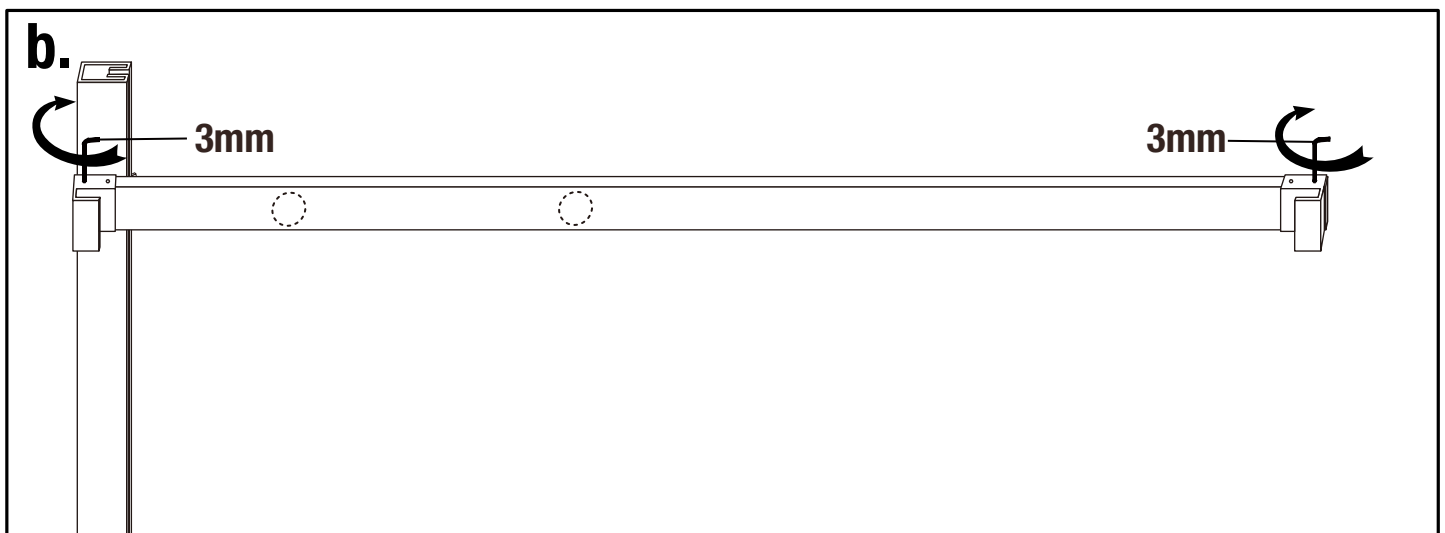
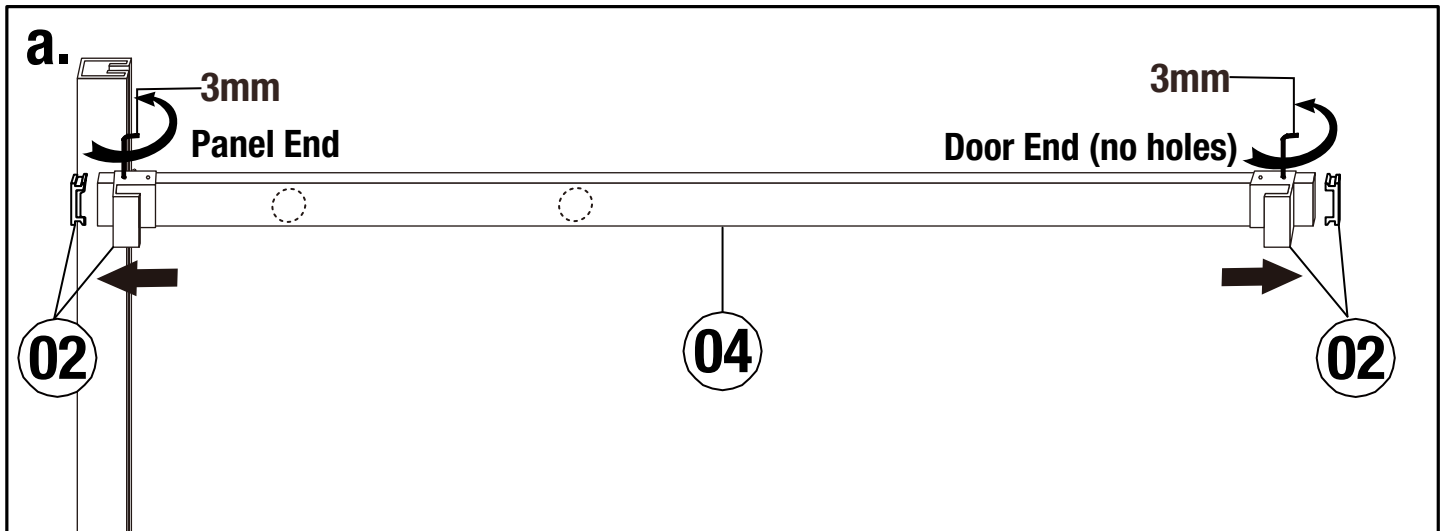
Guide Rail Installation

Use the allen key (3mm) to loose the screw on the Guide Rail Brackets (02). Slide the Guide Rail Bracket (02) onto the Guide Rail (04) and use the allen key (3mm) to temporarily tighten (slightly) the part to the Guide Rail (04).



Guide Rail Installation

Use the allen key (3mm) to loose the outer Guide Rail Bracket (02) screws. Slide onto the installed wall bracket and use the allen key (3mm) to attach the Guide Rail (04) to the wall by tighten the outer screws of the Guide Rail Brackets (02).

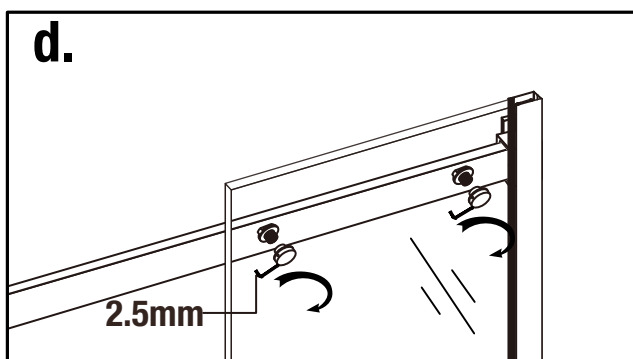
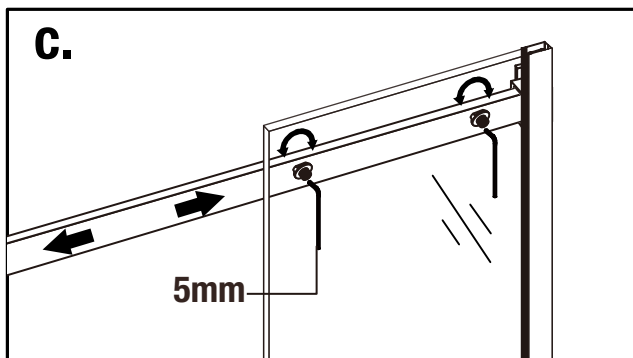
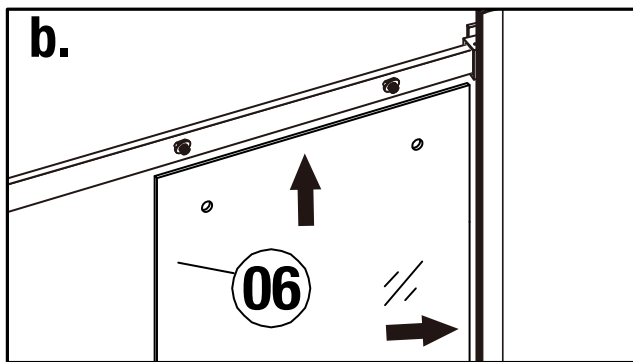
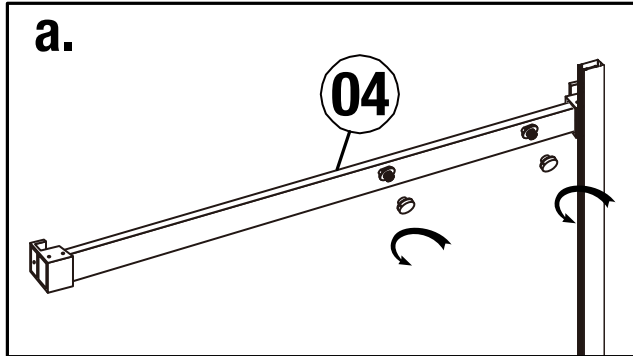


Fixed Glass Panel Installation

NOTE

The outer Glass-to-Rail Bracket disk has an eccentric bushing for adjustment. Be sure to install both Glass-to-Rail Bracket disks with the high spot of the bushing pointed towards the door end of the guide rail.

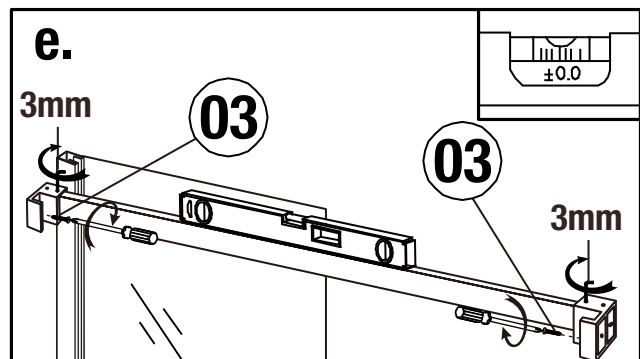
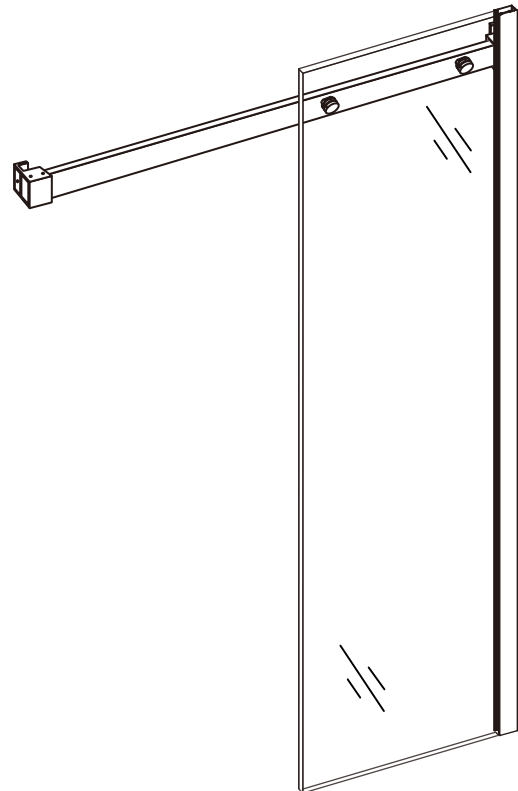
Loose the glass bracket on the Guide Rail (04), slide the Fixed Glass Panel (06) into the Wall Jamb (05) and align the glass bracket to the holes on the Fixed Glass Panel (06), make sure the Fixed Glass Panel (06) is leveled and secure the glass bracket. Tighten the two remaining screws on the Guide Rail Bracket (02).



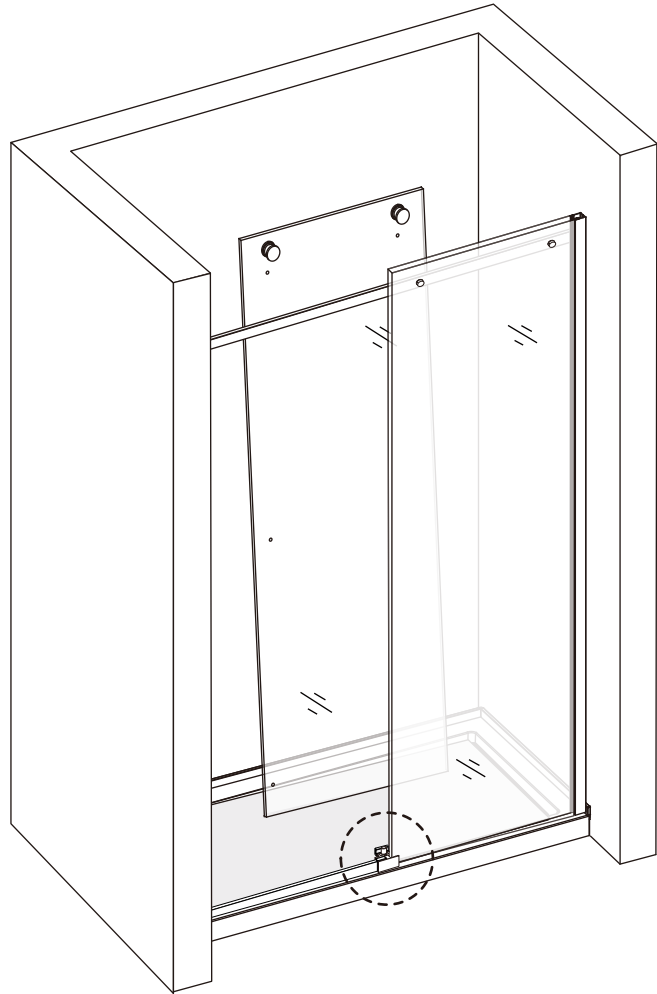
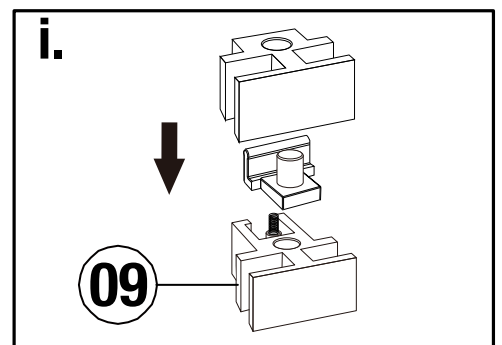
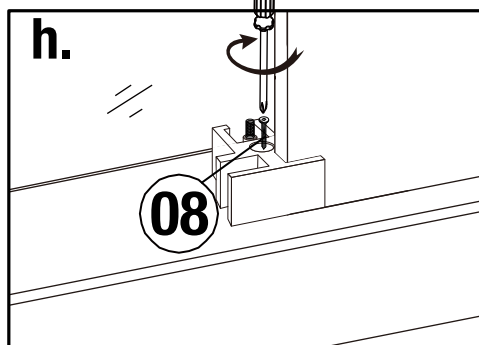
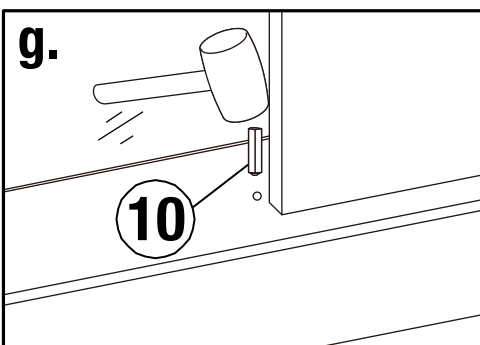
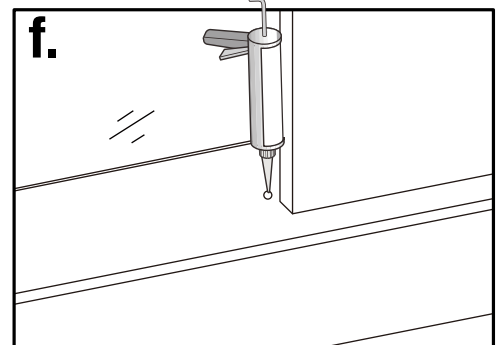
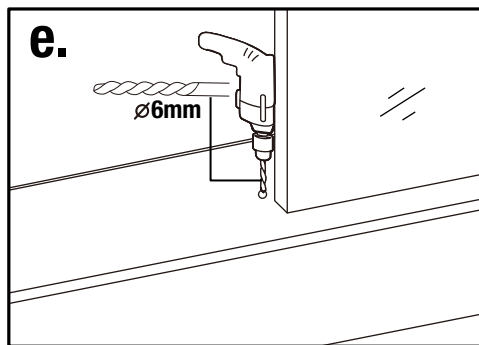
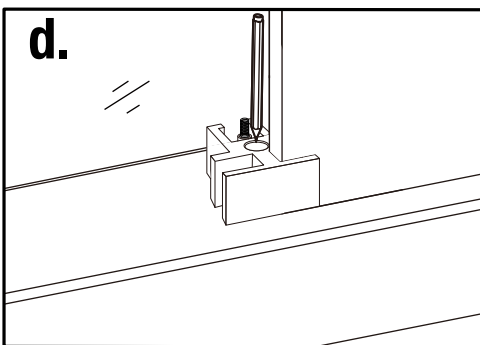
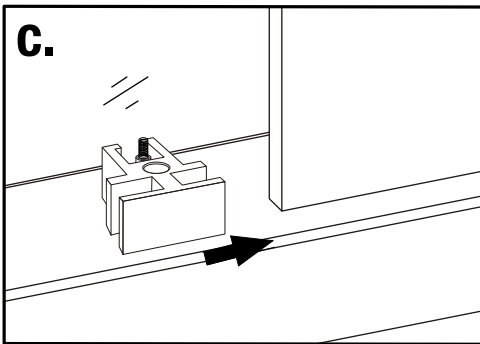
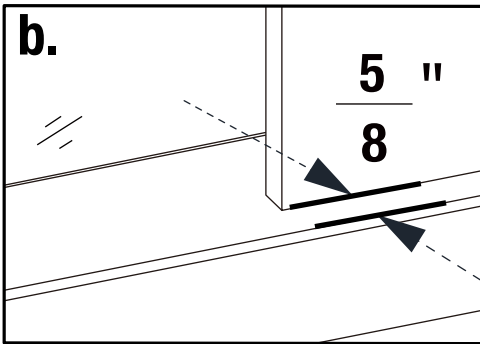
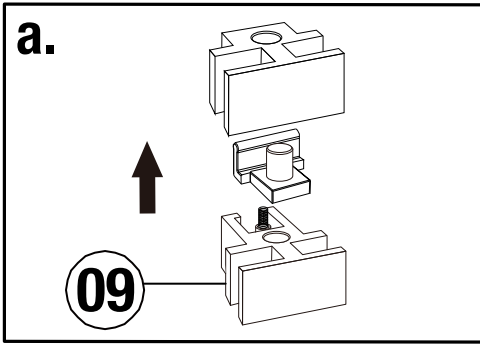
NOTE



Easy-to-clean sticker face to the wall.

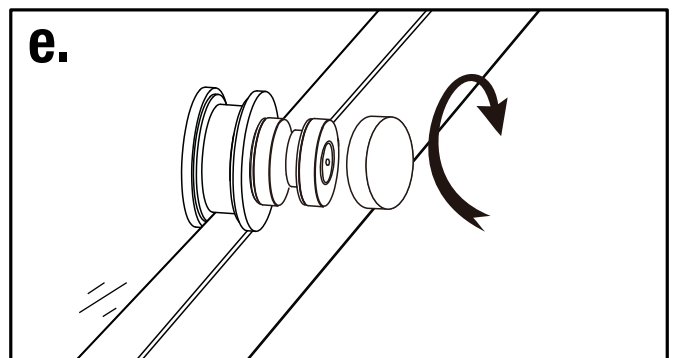
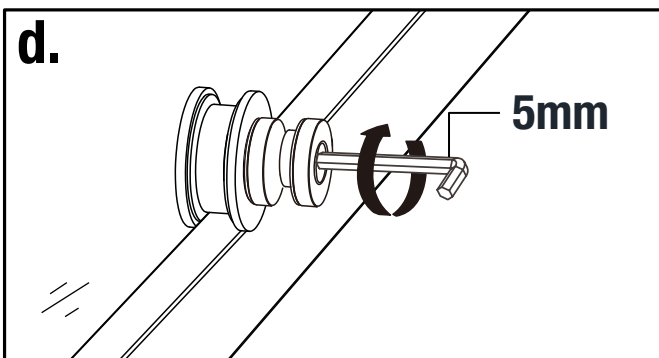
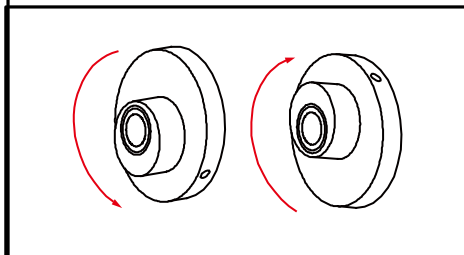
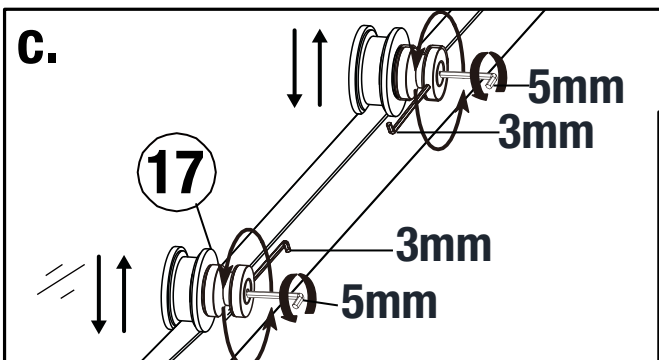
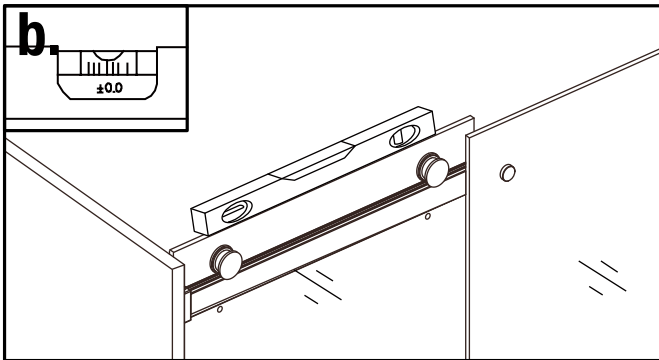
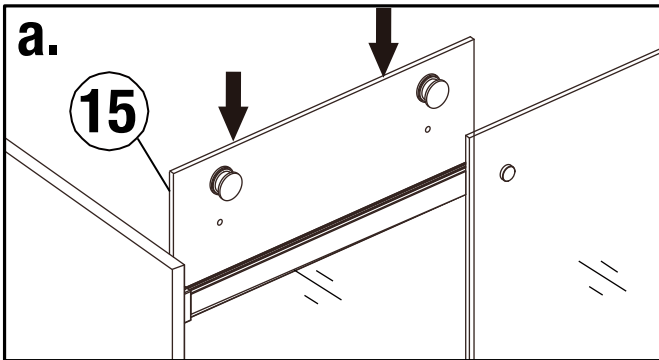
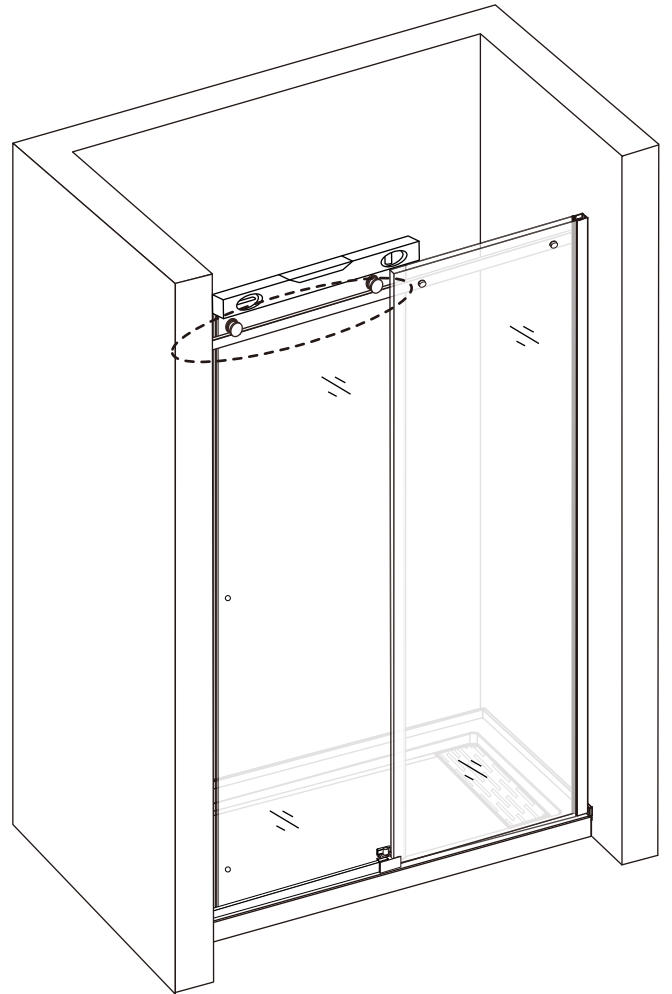


Door Guide Installation



Glass Door Installation

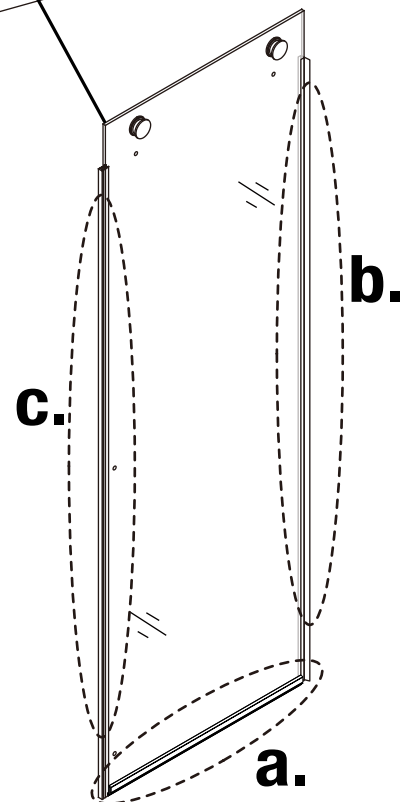
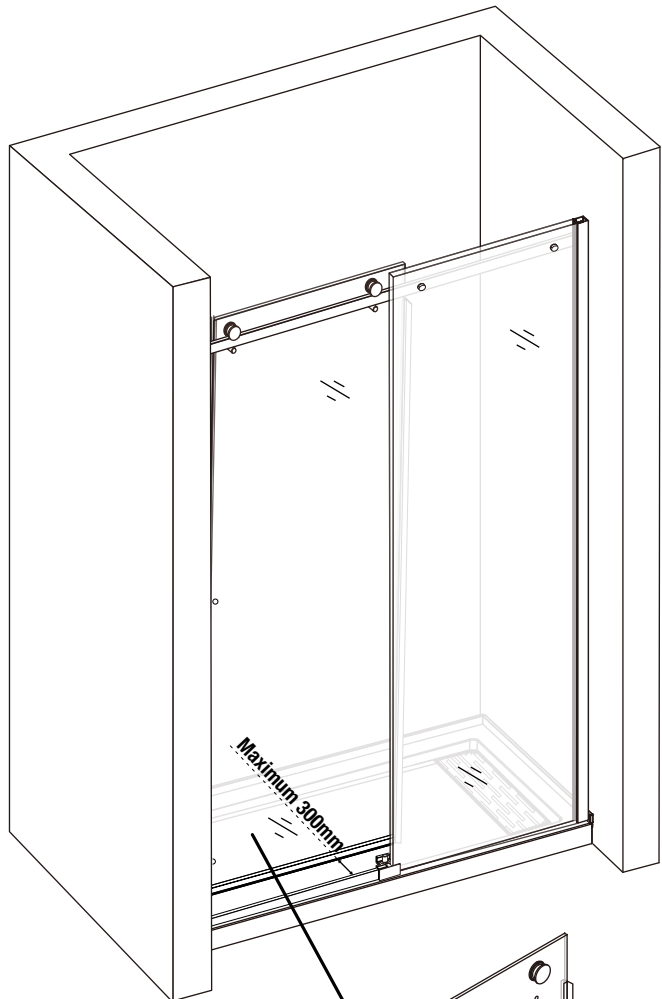
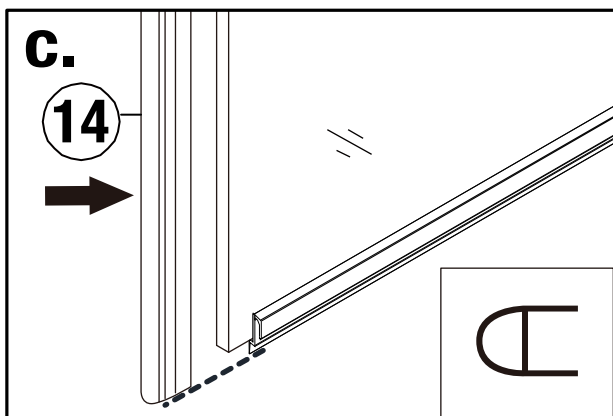
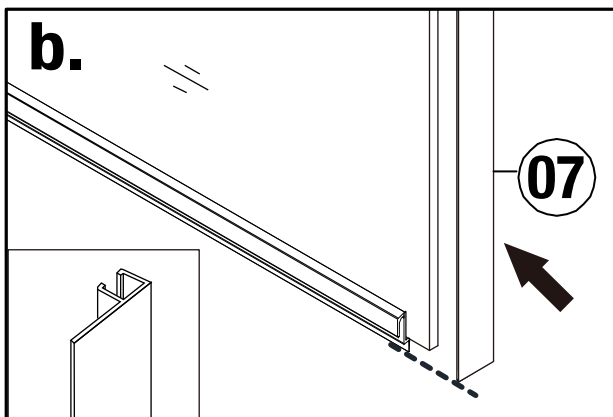
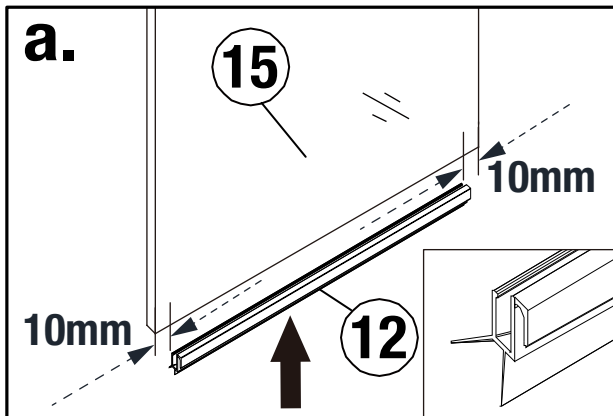
Hang the Glass Door (15) to the Guide Rail (04) and perform steps c and d to make sure they are leveled, then secure the Roller (17) and close the lid.



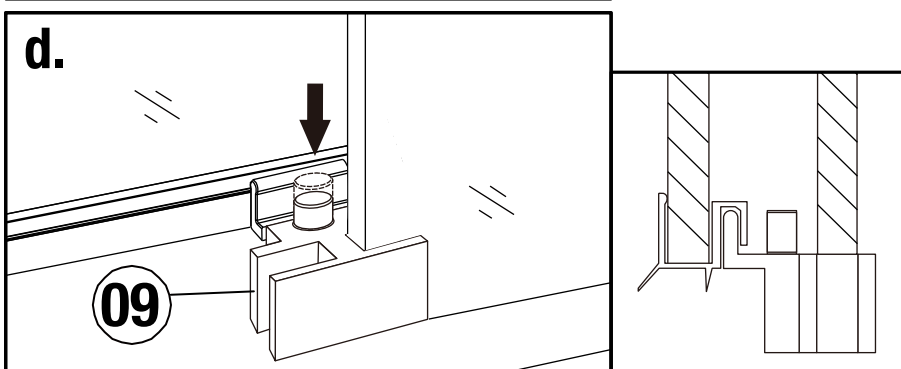
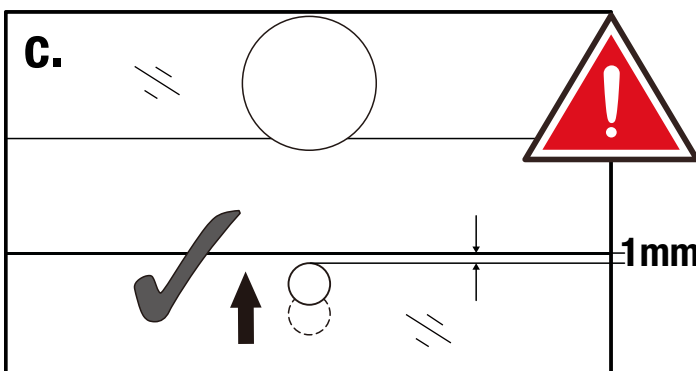
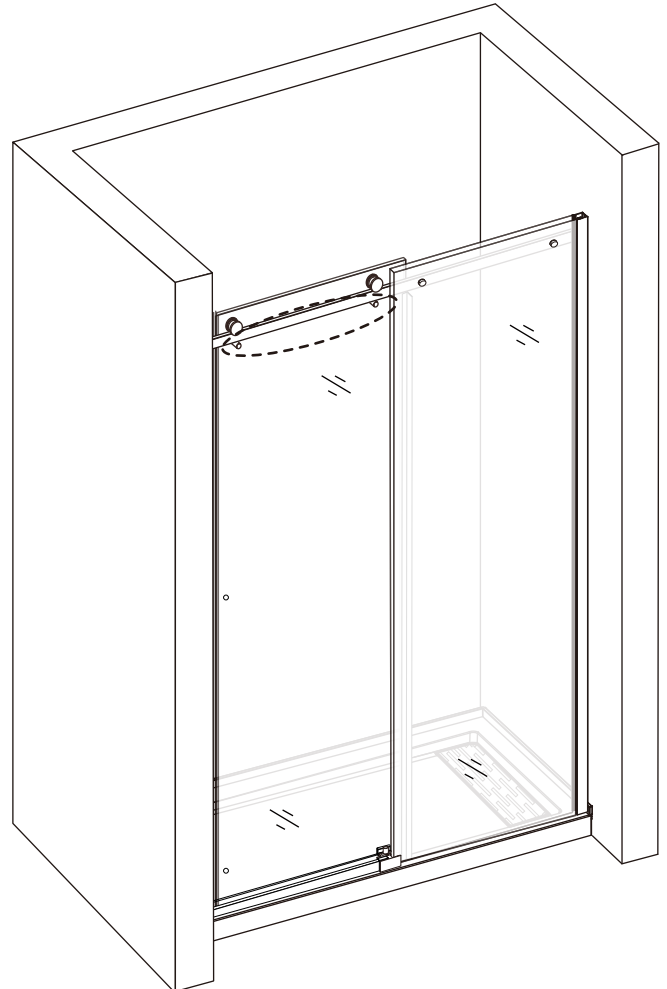
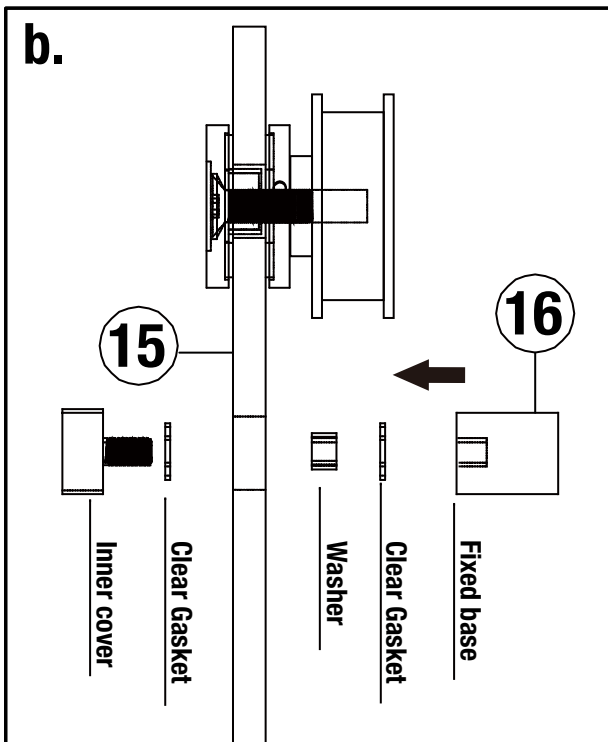
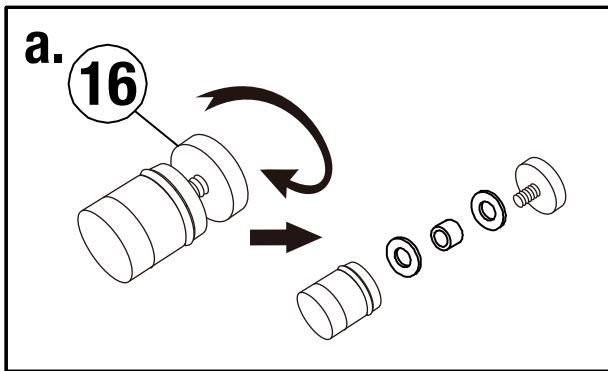
Anti-water Strip Installation

NOTE

When installing the Bottom Anti-Water Strip (12) at the bottom of the Glass Door (15), the Glass Door (15) must not be bent inward by more than 300 mm.



Safety Pin Installation

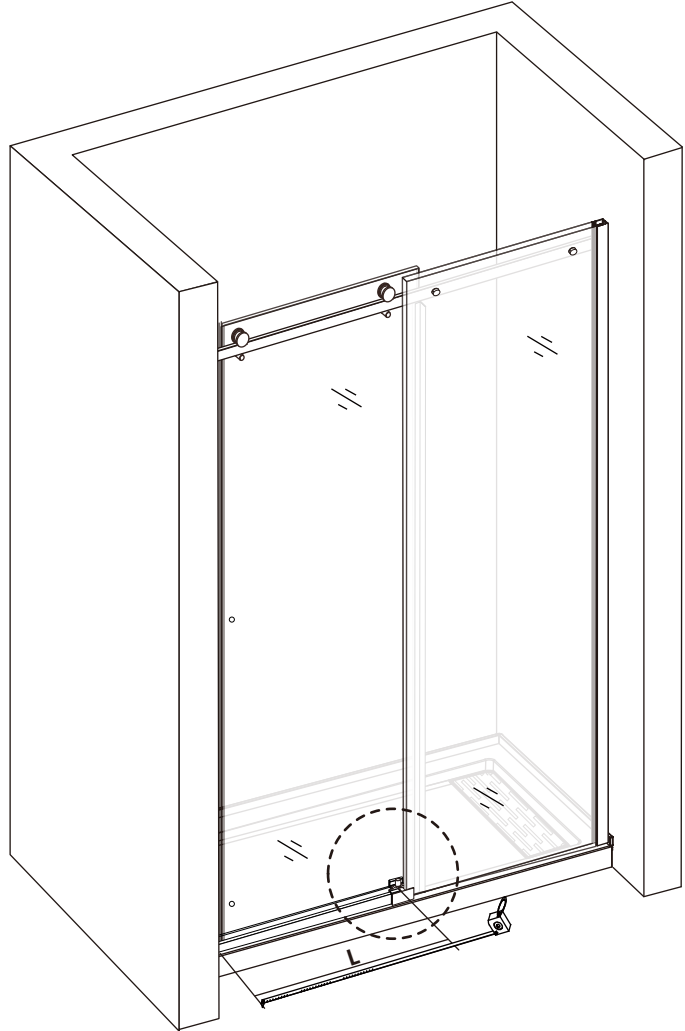
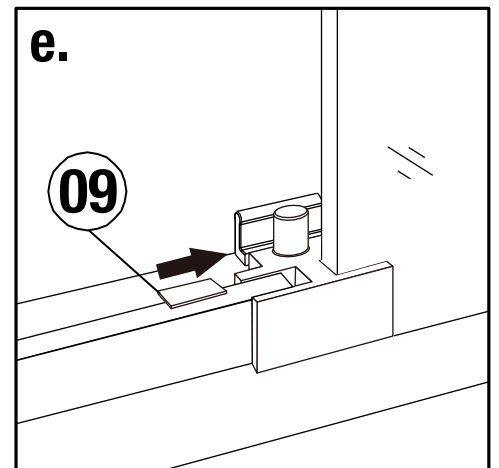
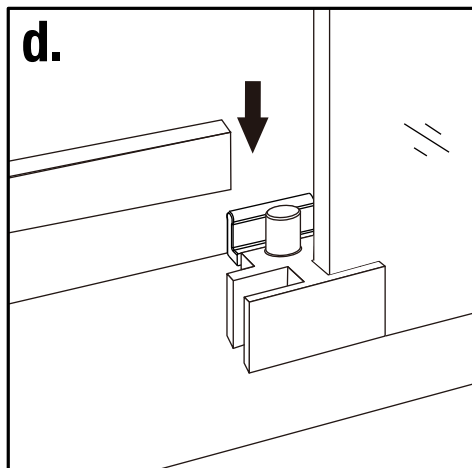
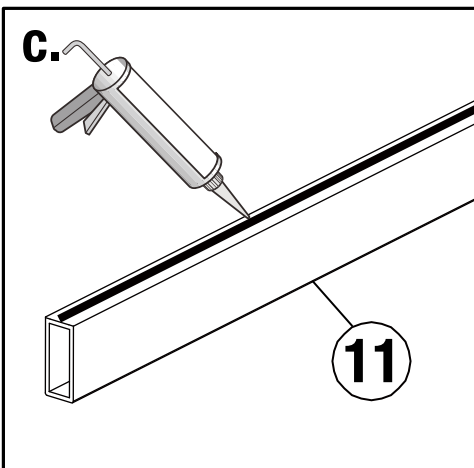
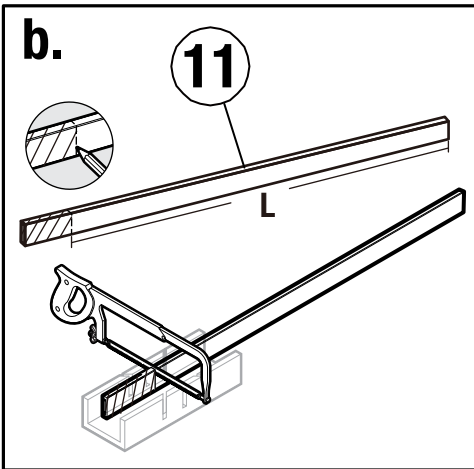
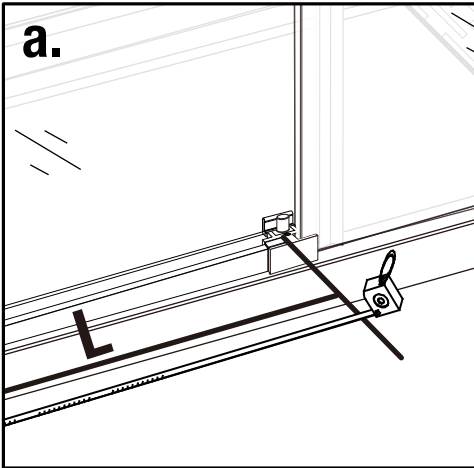


NOTE

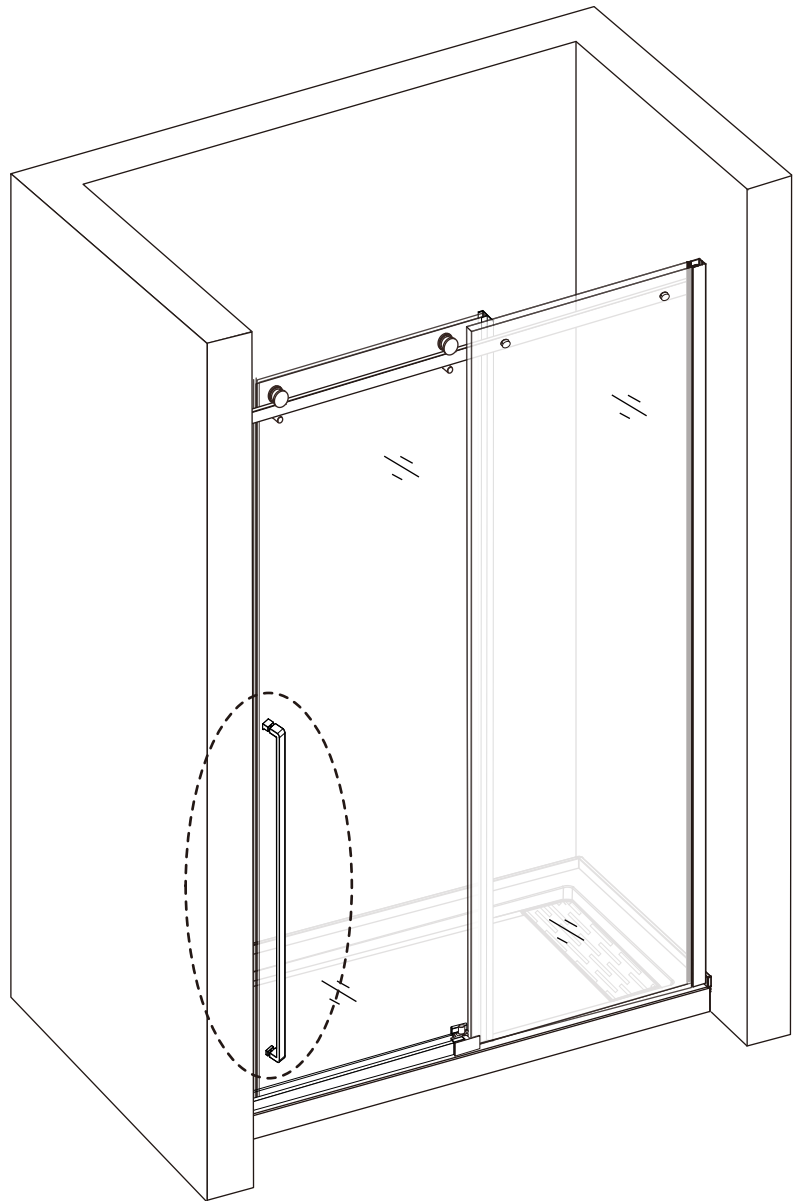
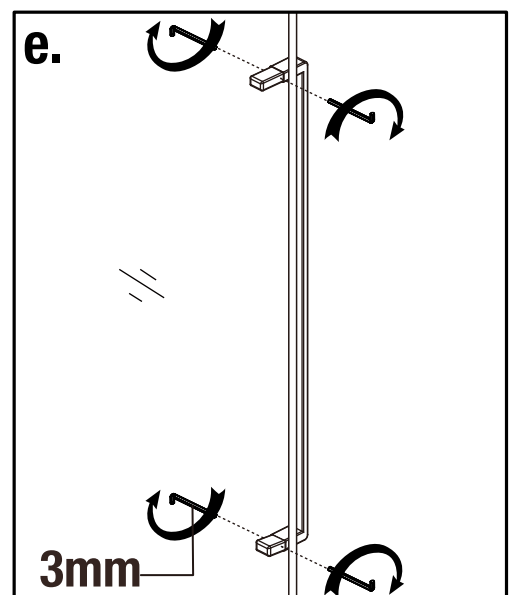
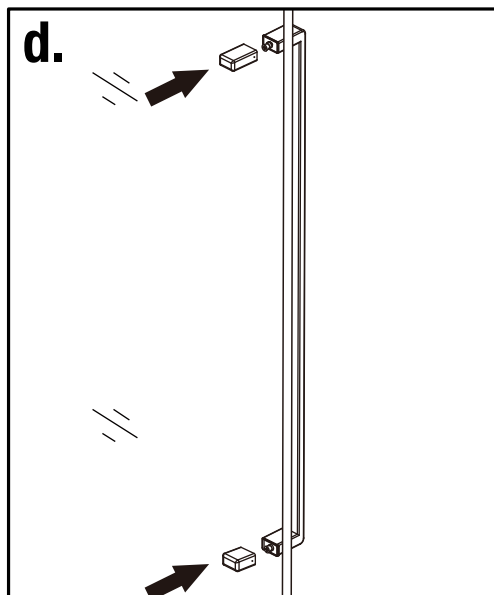
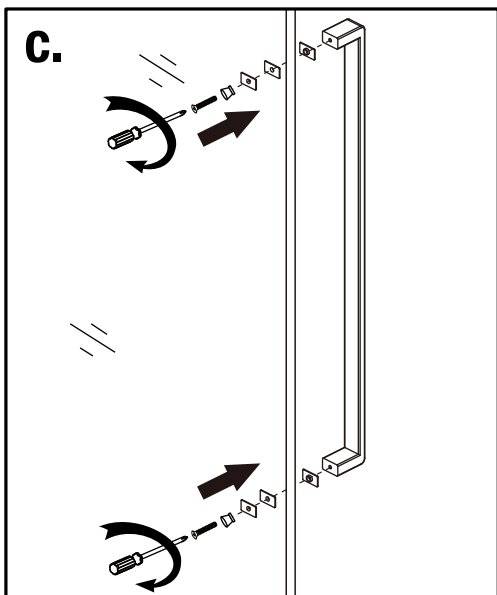
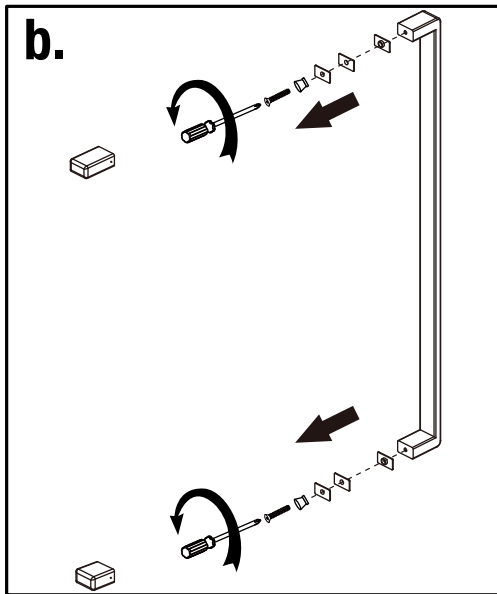
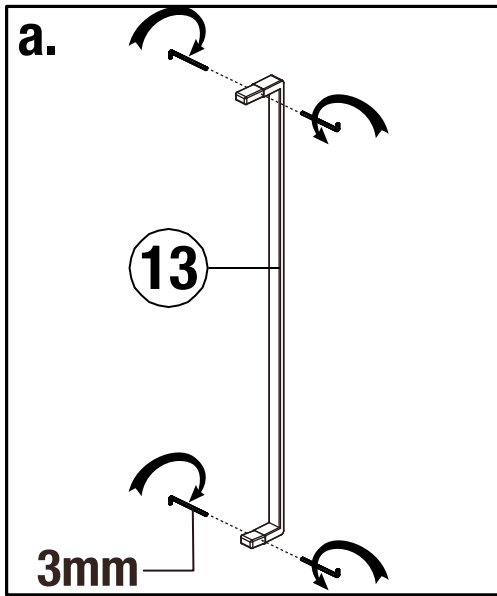
Press down the Door Guide (09) so that it hooks into the slot of the Bottom Anti-Water Strip (12) installed under the Glass Door (15).

Drip Shield Installation

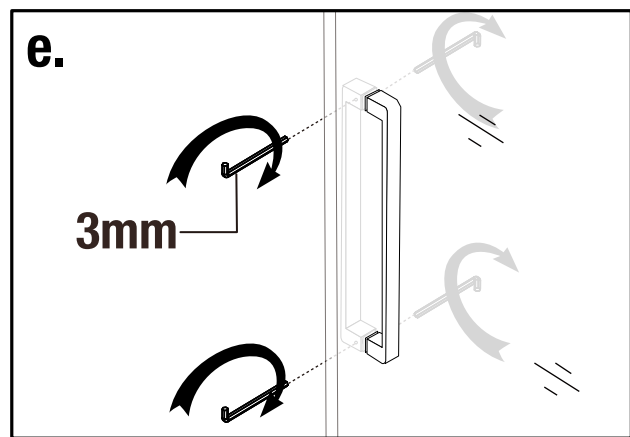
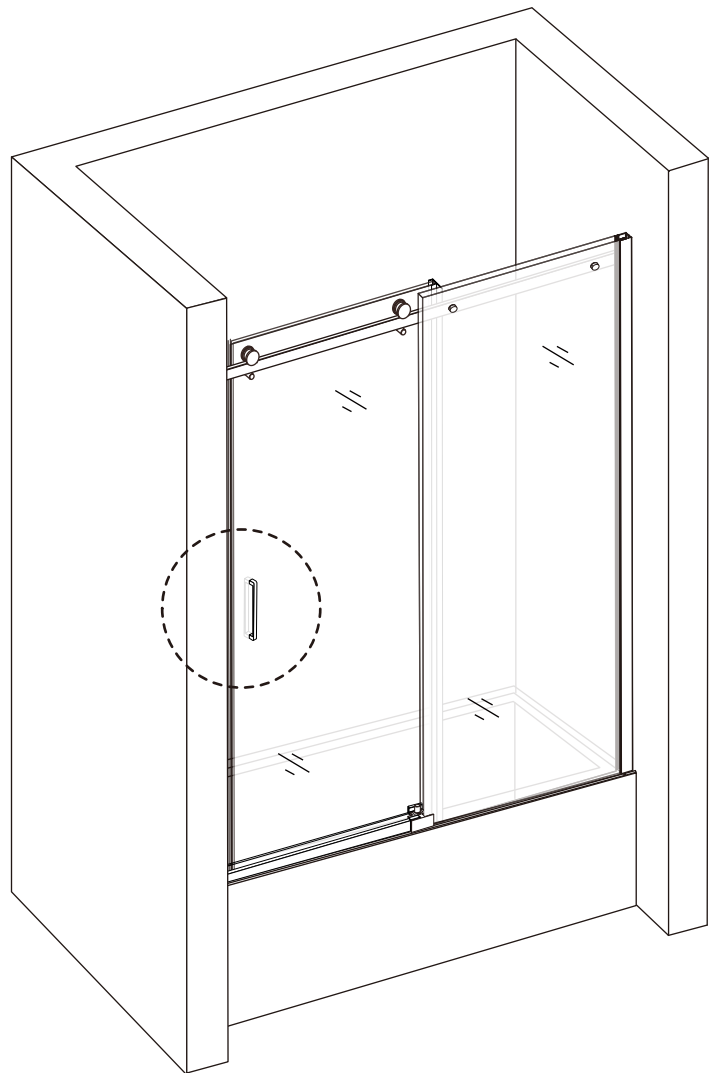
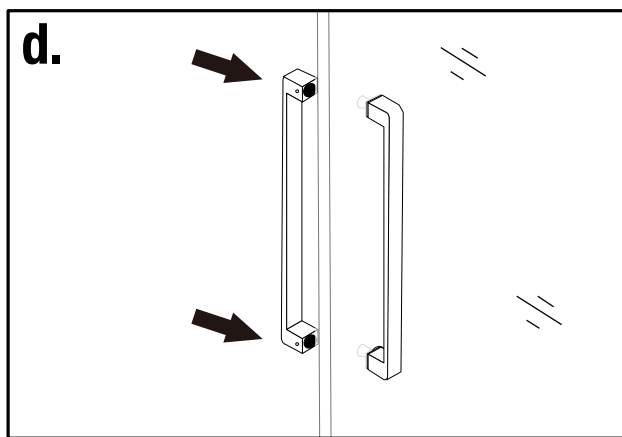
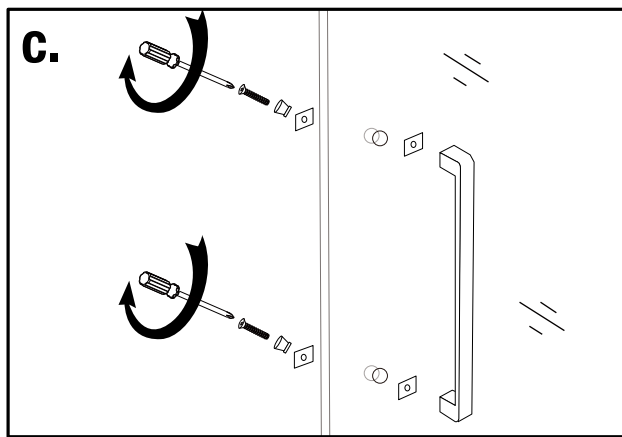
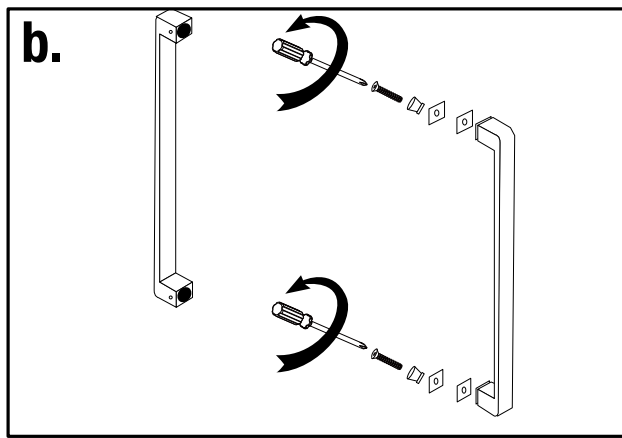
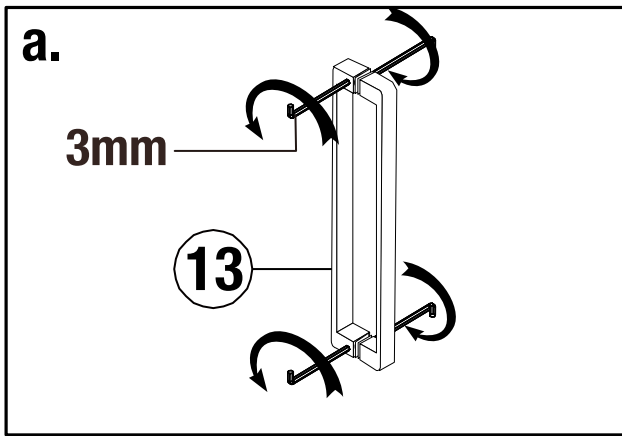
Measure the distance "L" from the Fixed Glass Panel to the wall. Cut the Drip Shield (11) to the length of "L" if necessary.



Shower Door Handle Installation



Tub Door Handle Installation

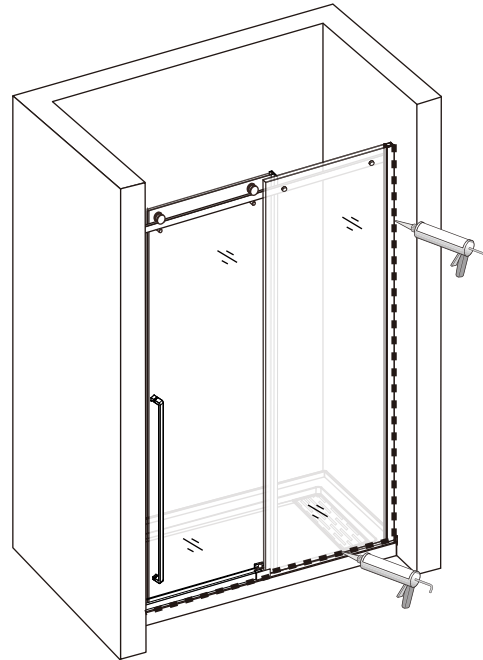
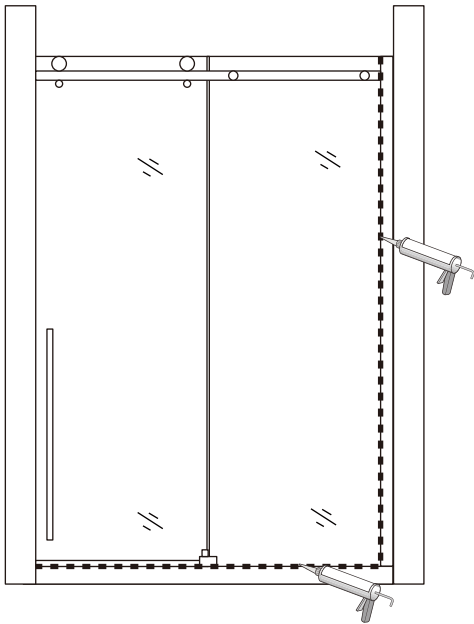


Silicone Seal

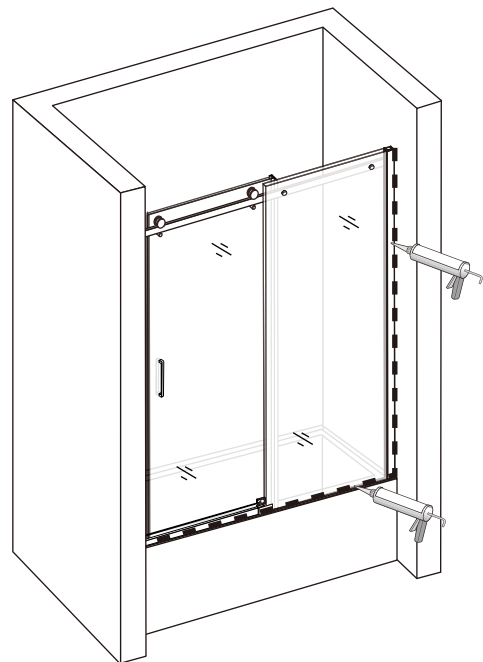
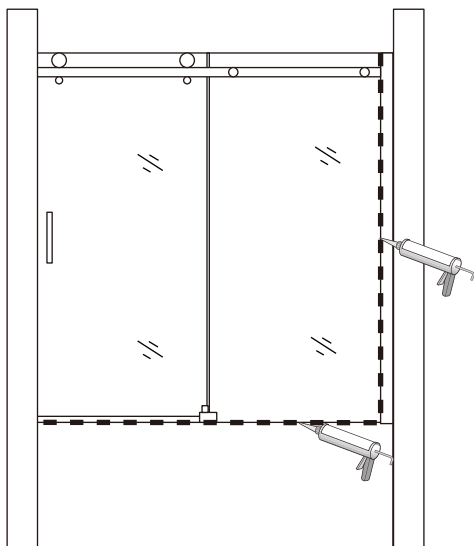
Apply silicone sealant on the seams between the Fixed Glass Panel and the shower base/ bathtub, and between the wall and the Fixed Glass Panel.



MUST ALLOW SILICONE TO DRY FOR 24 HOURS BEFORE STARTING USING THE SHOWER ENCLOSURE.



TUB DOORS INSTALLATION THE SAME AS SHOWER DOORS



Thank you for choosing Morvano products!

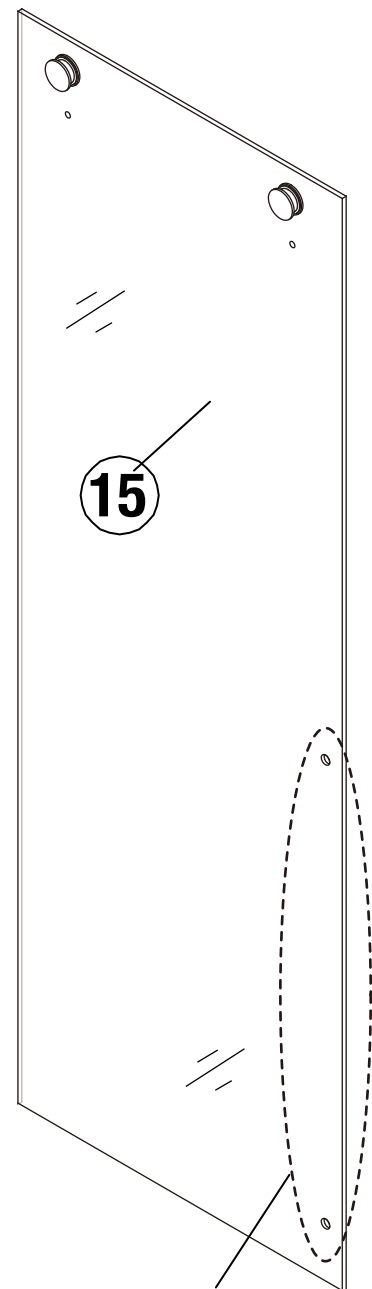
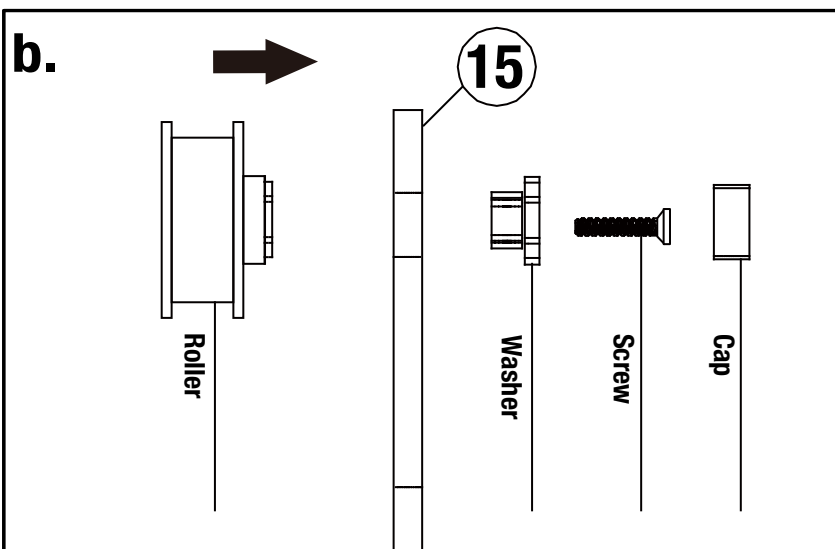
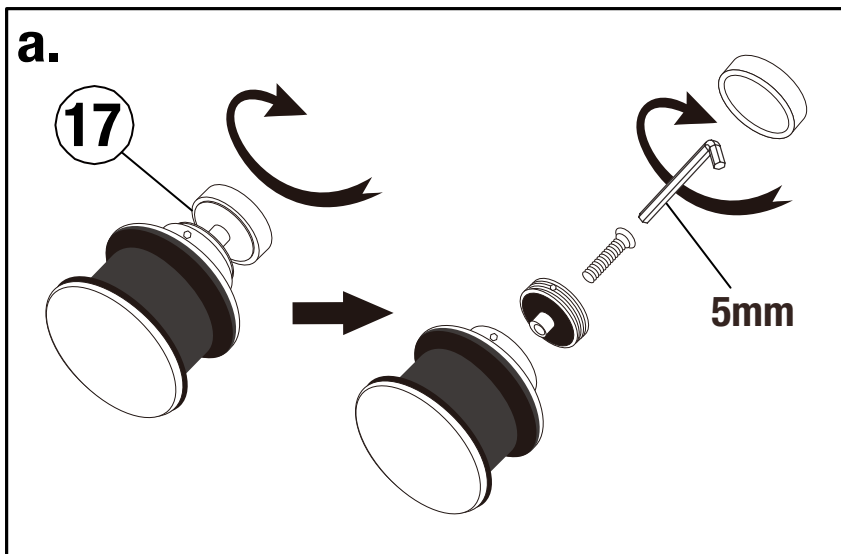
Please do not hesitate to contact us if you have any questions or concerns.

Roller Installation

NOTE

Right-hand door installation shown. For left-hand door installation, please refer to P9-P27.

Loose the rollers (17), apply them on the top of the glass door (15), make sure the handle holes are on the right-hand side.



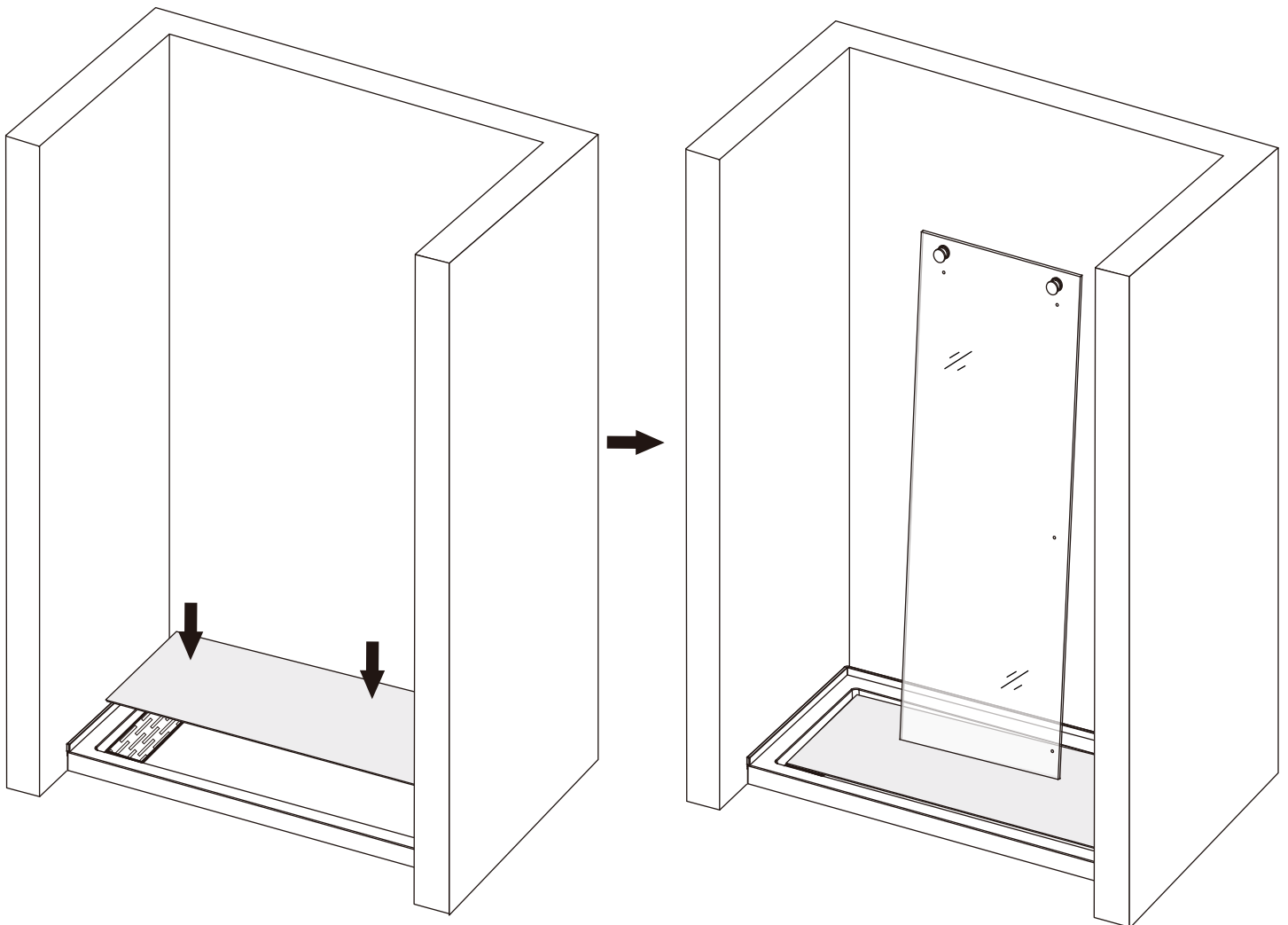
Handle holes
on the right-hand

Glass Door Installation

Cover the shower base with a soft cloth/blanket. Carefully handle the glass door (15) to avoid scratching the shower base.

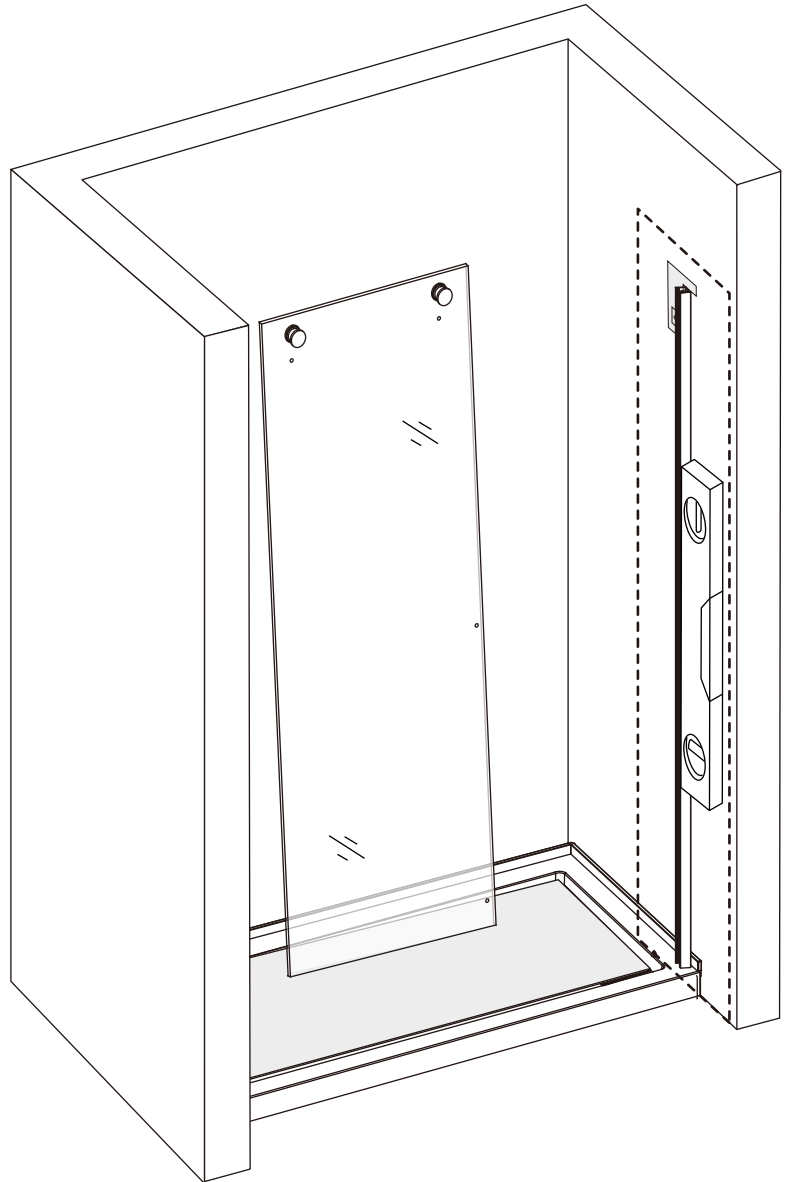
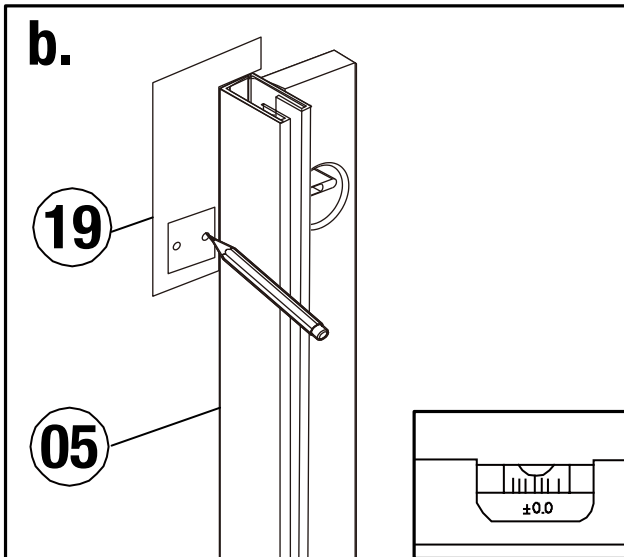
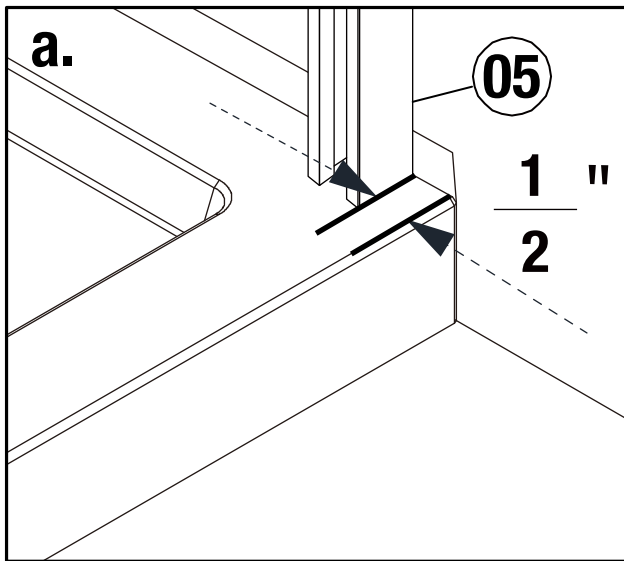


DO NOT attach the handle to the Door Glass until instructed.
DO NOT attempt to lift the Glass Door with the handle as this may result in damage to the glass and/or serious personal injury. Use a professional grade glass suction cup and an assistant.



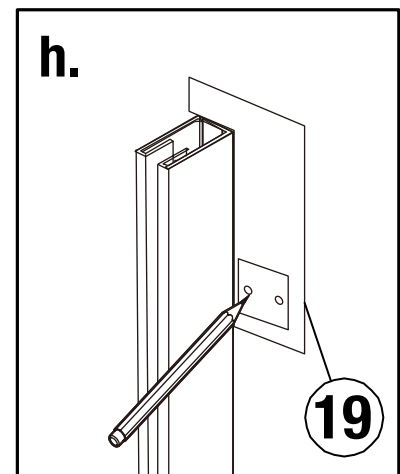
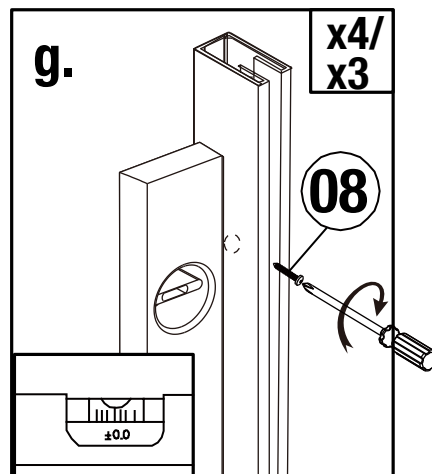
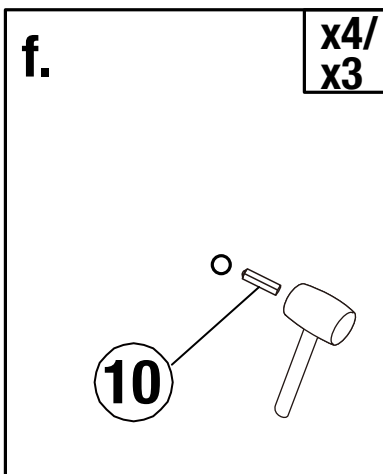
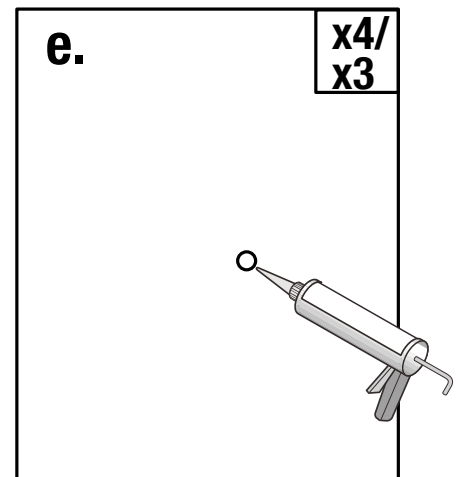
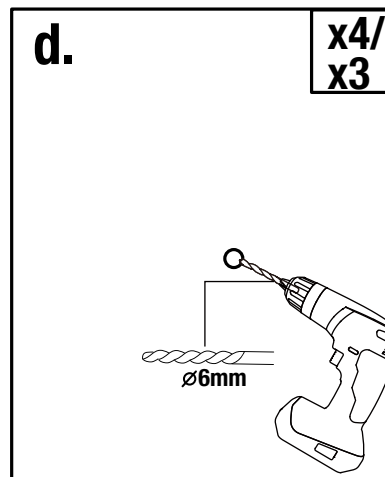
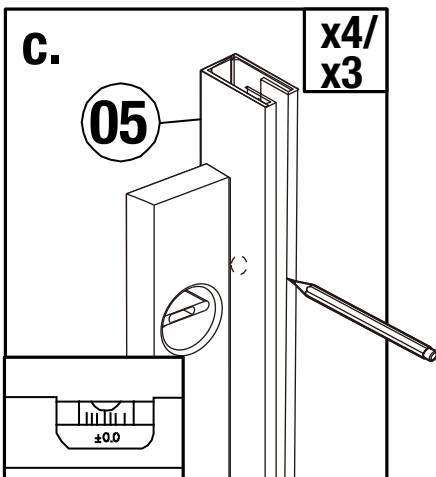
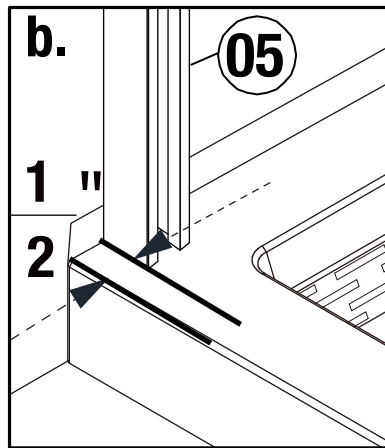
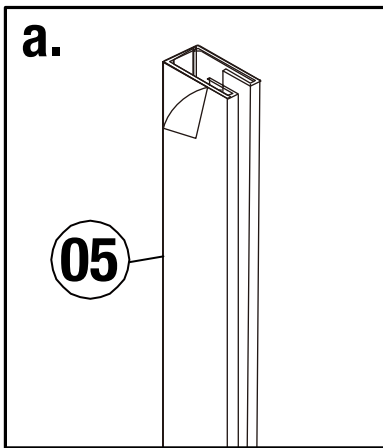
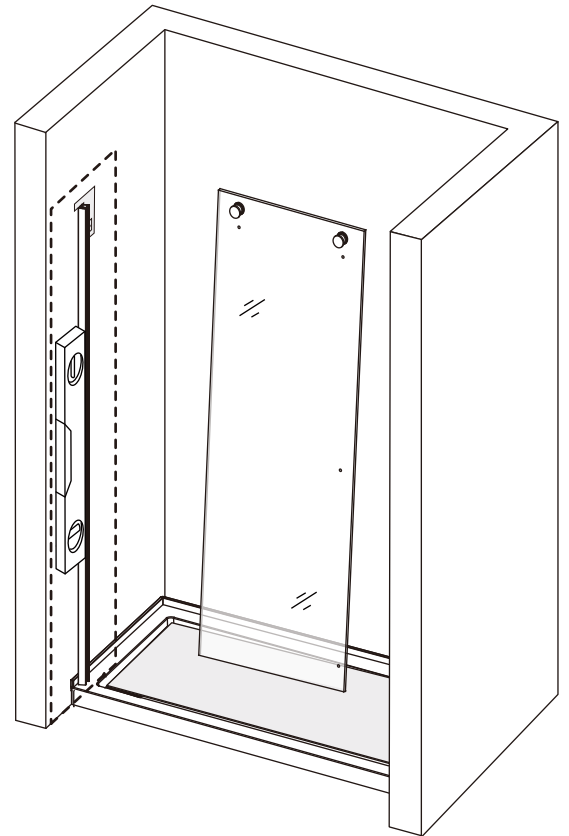
Guide Rail Installation

Mark down the predrilled position of the Guide Rail Bracket (02) using the L-shaped Template (19) and Wall Jamb (05) on the right wall.



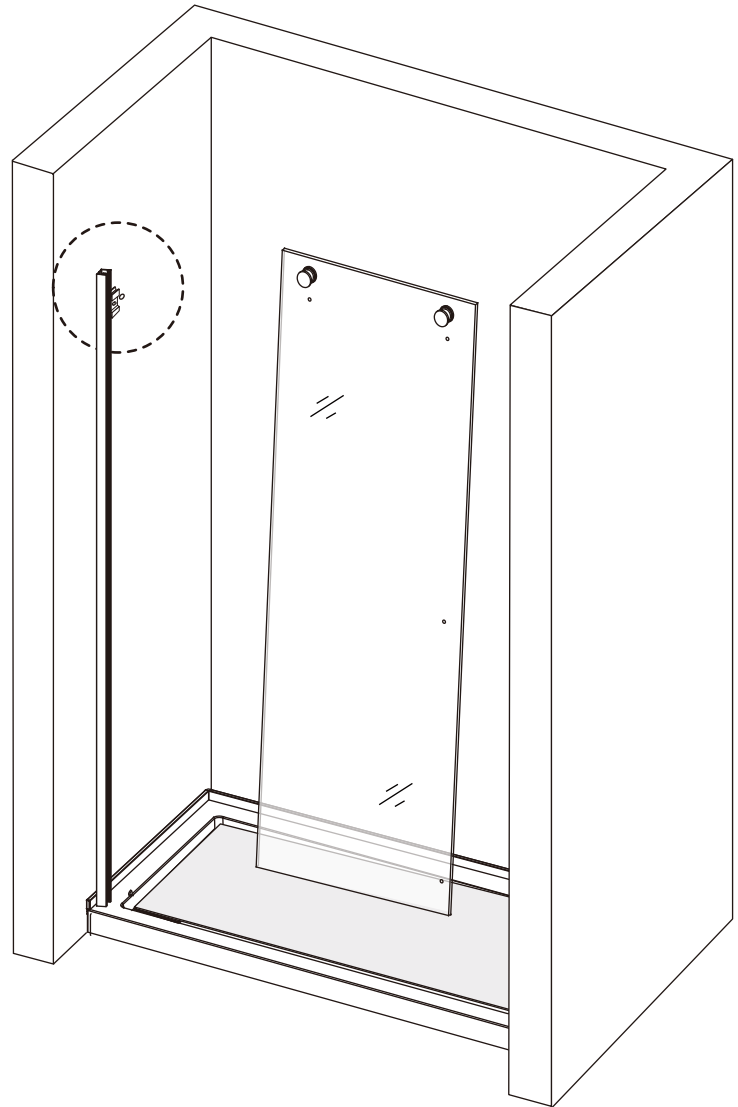
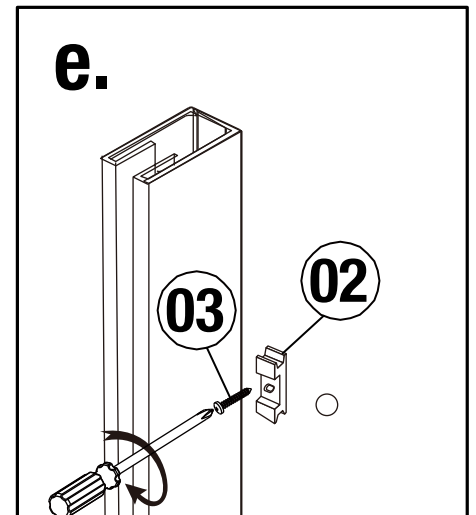
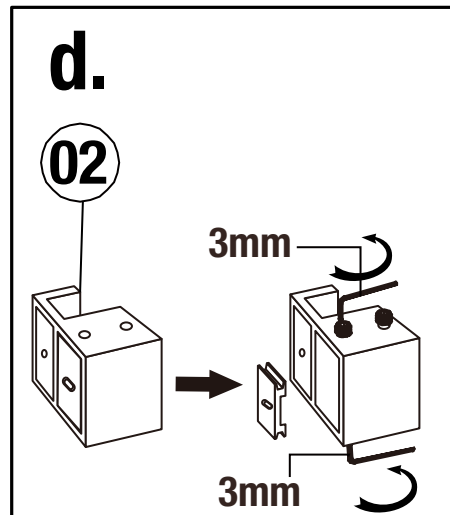
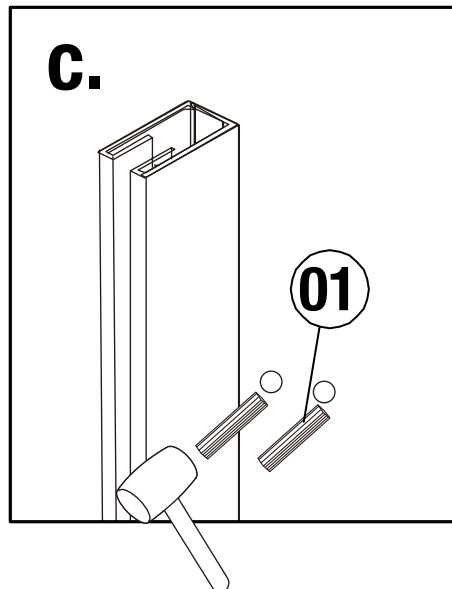
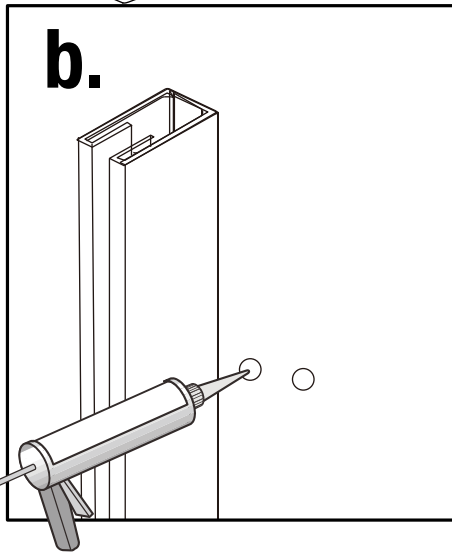
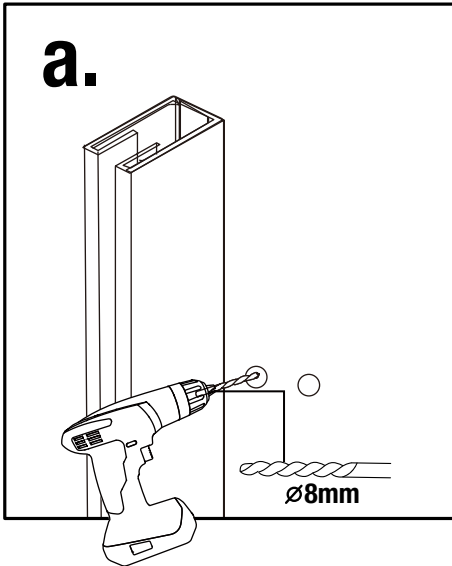
Wall Jamb Installation

Place the Wall Jamb (05) on the left side, mark down the predrilled position of the Wall Jamb (05) (4 holes for shower door or 3 holes for tub door). Drill the hole with 6mm drill bit, put silicone to the hole and then put anchor into the hole. Secure the Wall Jamb with M4*30 Screws (08).



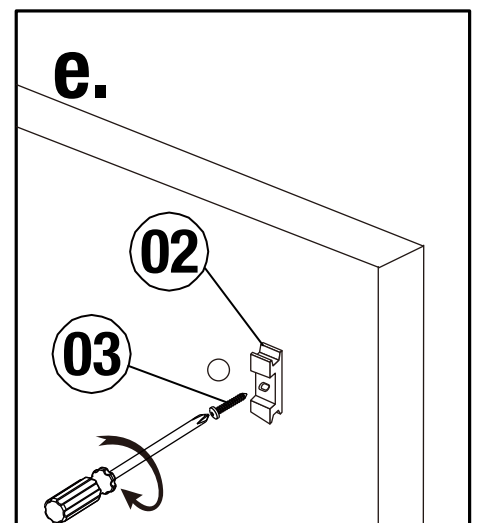
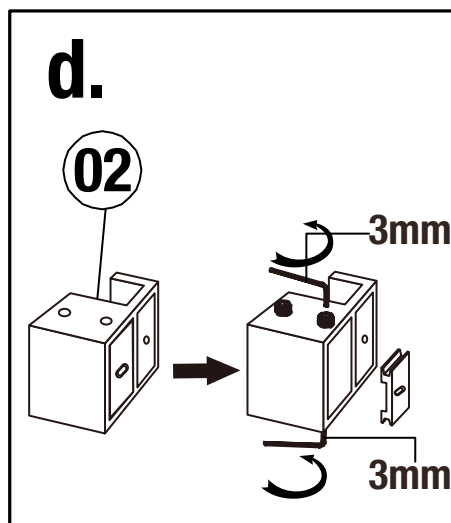
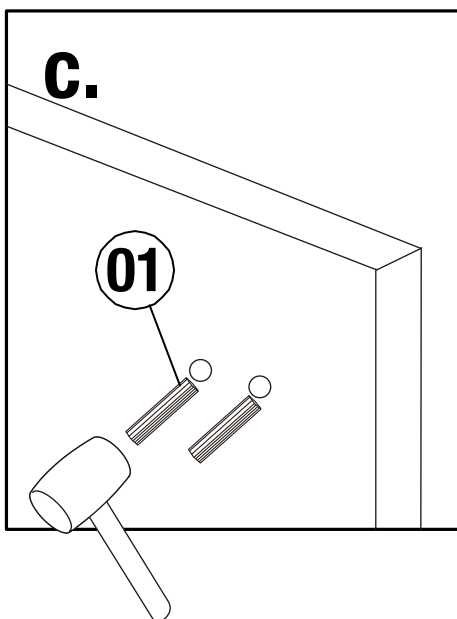
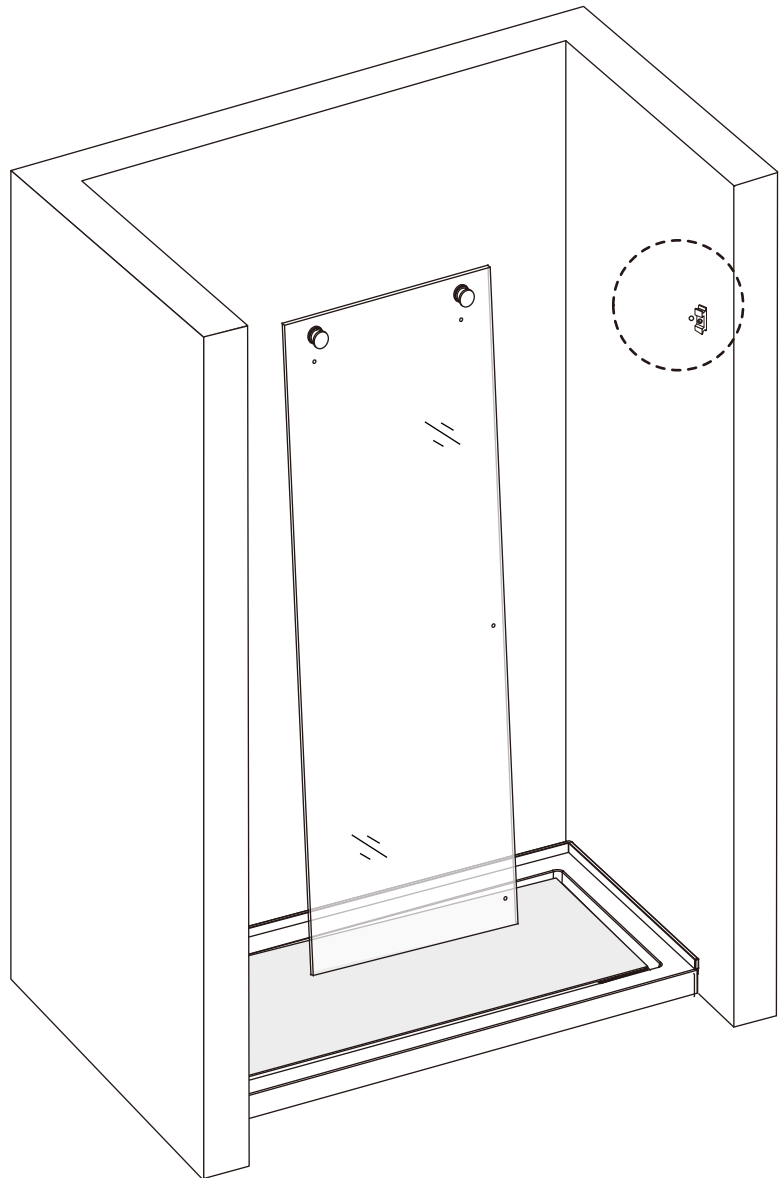
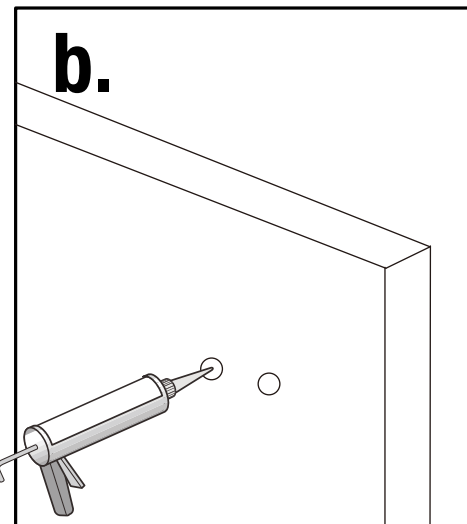
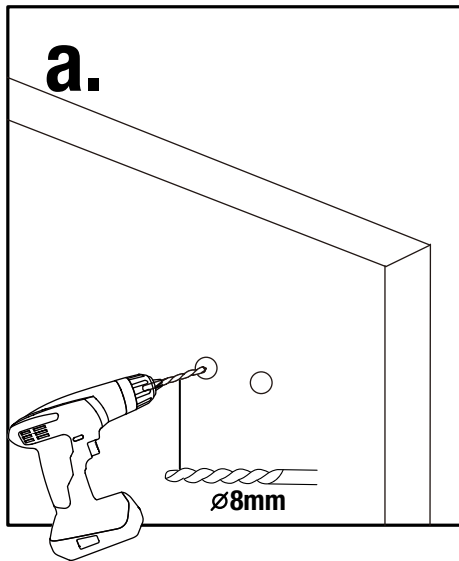
Guide Rail Bracket Installation

Mark down the predrilled position of the Guide Rail Bracket (02) . Drill the holes using 8mm drill bit and apply silicone into the holes, insert the Wall Anchors (01). Remove the Wall Bracket from the Guide Rail Bracket (02) and mount to the wall using the Screws M5*60 (03).



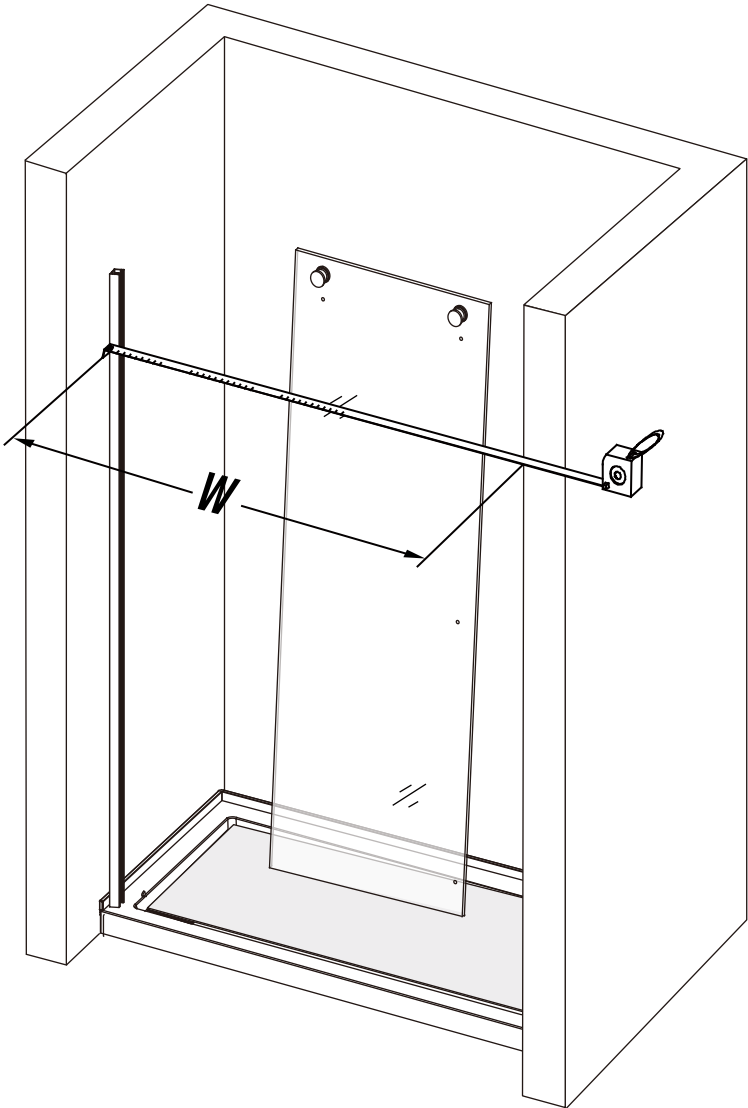
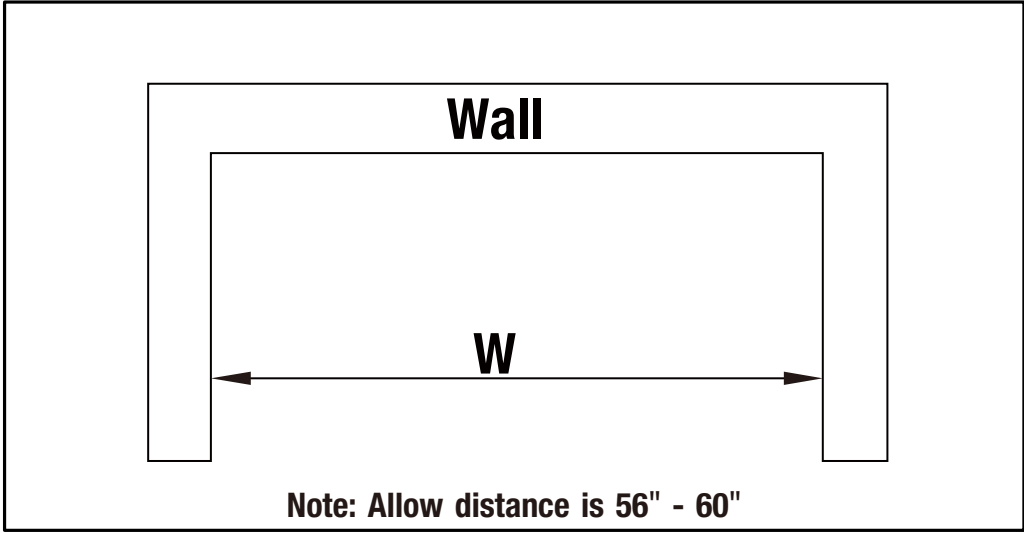
Guide Rail Bracket Installation

The other side is installed in the same way.



Measure The Width

Measure the distance between two finished walls. This distance is marked as *W*.

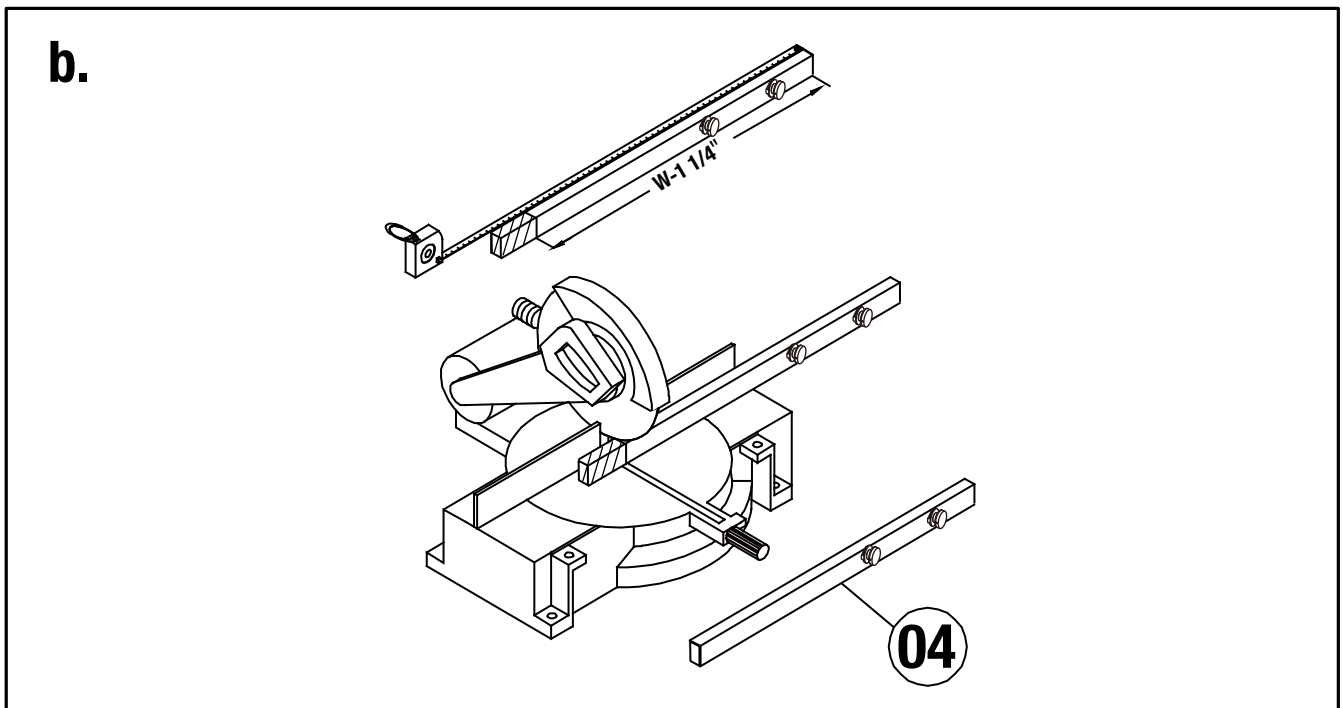
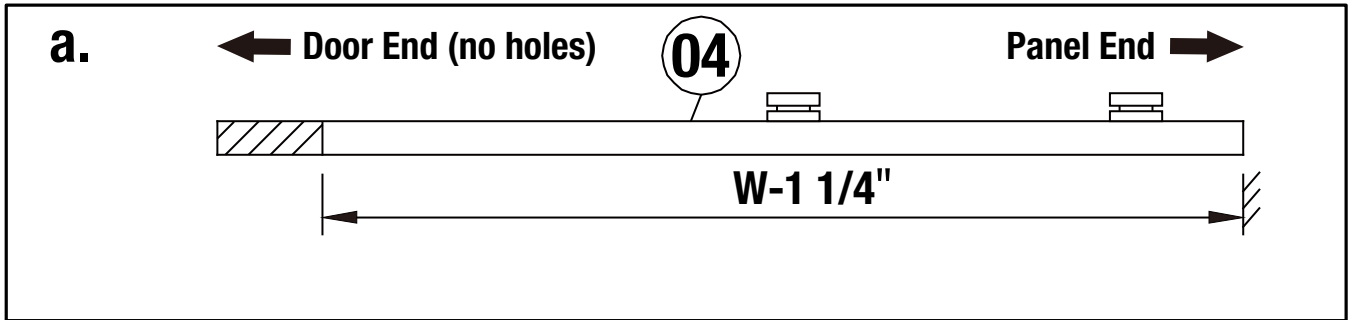


Guide Rail Installation

W = Width of the wall

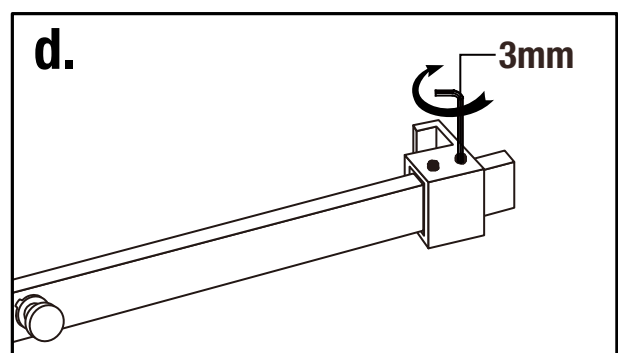
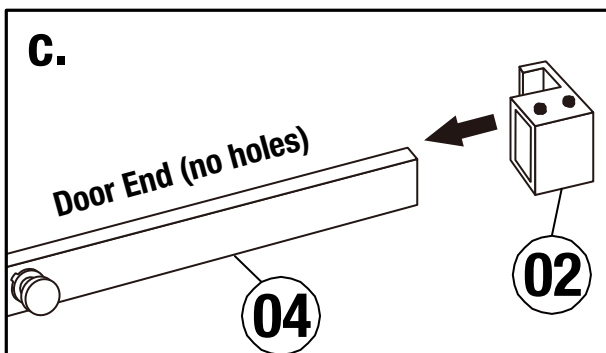
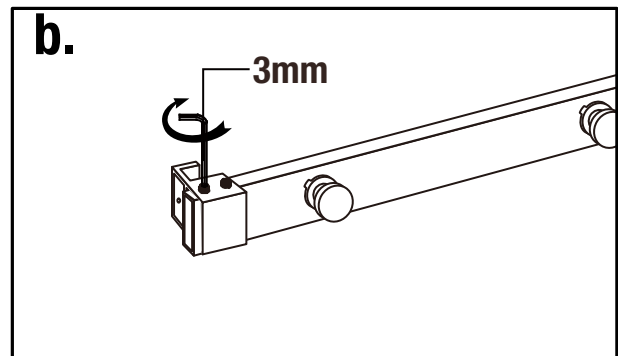
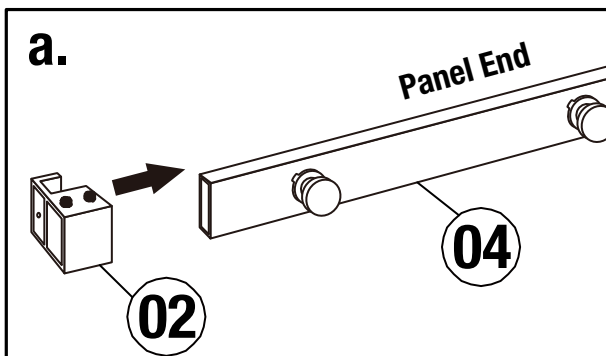
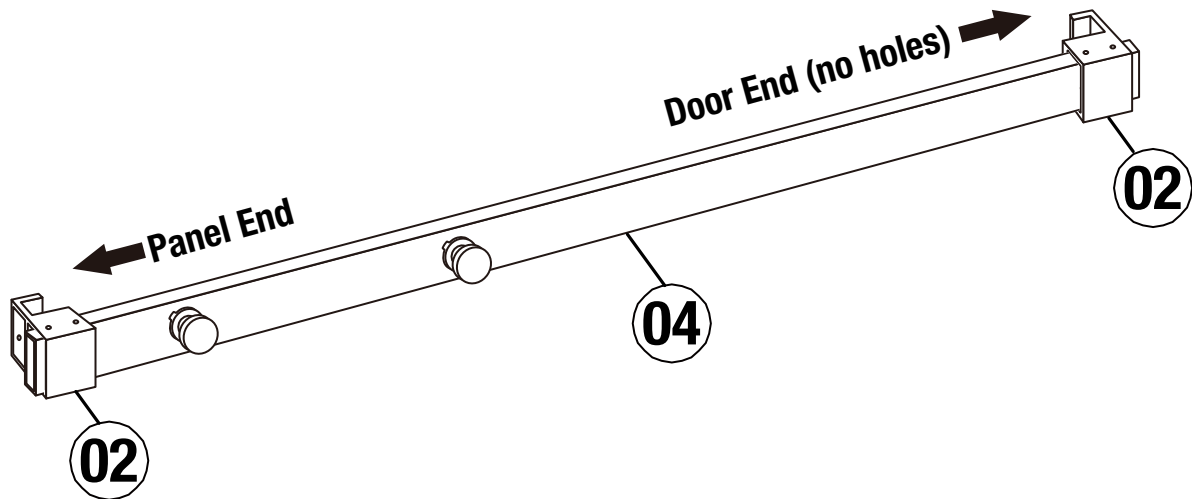
If $W = 60''$, it is **UNNECESSARY** to cut the Guide Rail (04).

If $W < 60''$, measure $W - 1\ 1/4''$ from the panel end and cut the Guide Rail (04) accordingly.



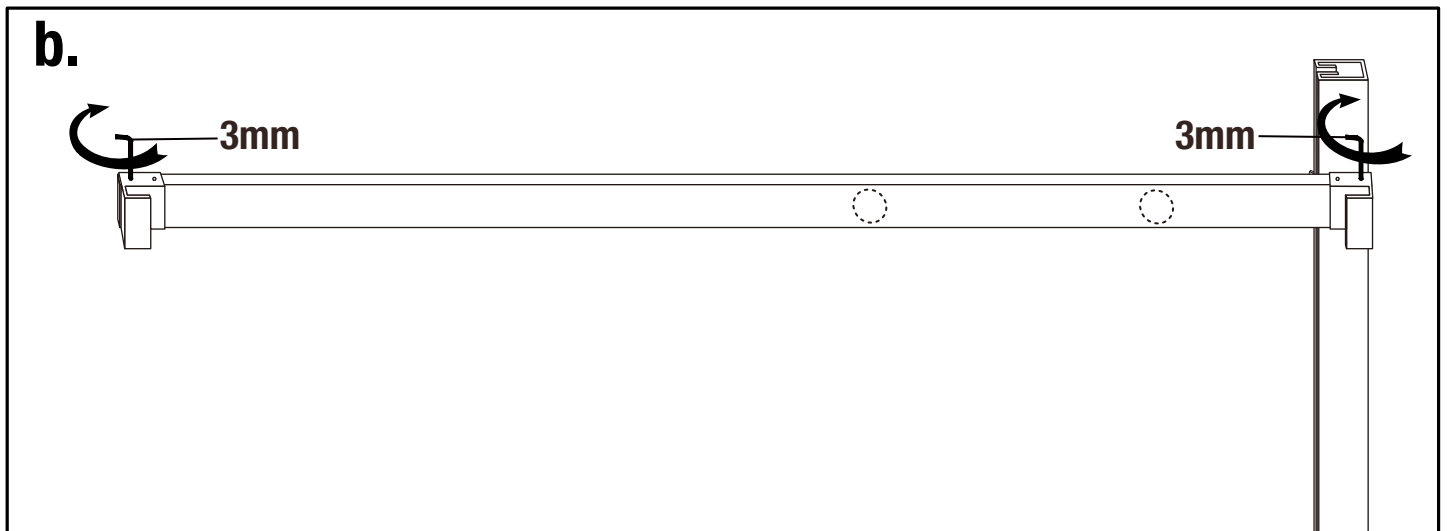
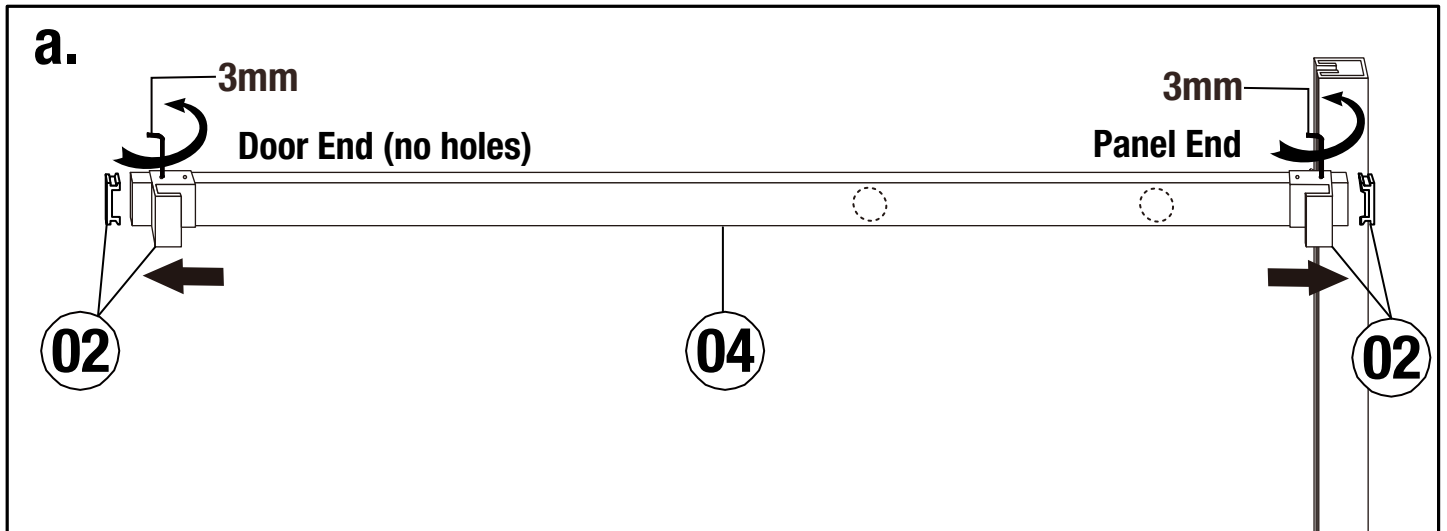
Guide Rail Installation

Use the allen key (3mm) to loose the screw on the Guide Rail Brackets (02). Slide the Guide Rail Bracket (02) onto the Guide Rail (04) and use the allen key (3mm) to temporarily tighten (slightly) the part to the Guide Rail (04).



Guide Rail Installation

Use the allen key (3mm) to loose the outer Guide Rail Bracket (02) screws. Slide onto the installed wall bracket and use the allen key (3mm) to attach the Guide Rail (04) to the wall by tighten the outer screws of the Guide Rail Brackets (02).

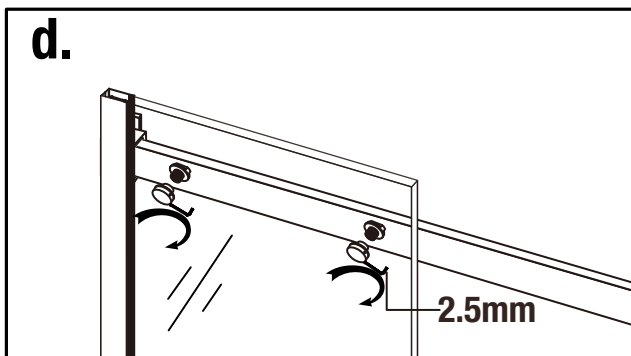
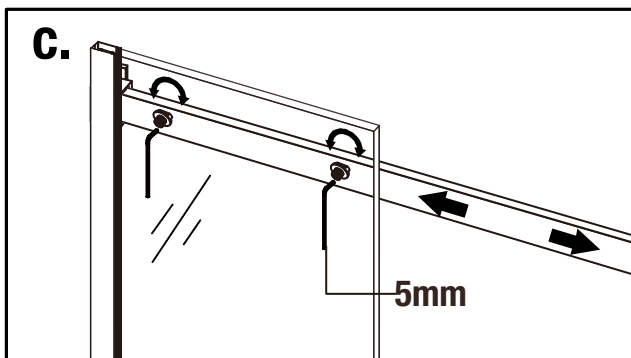
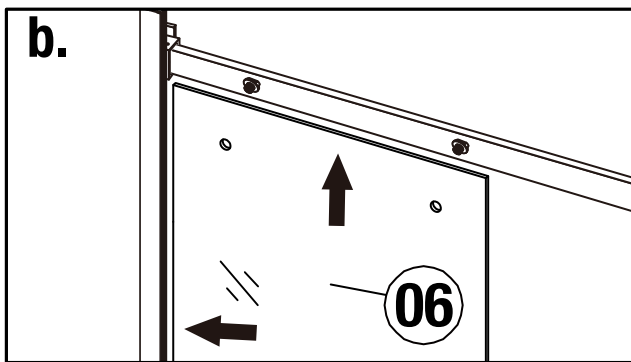
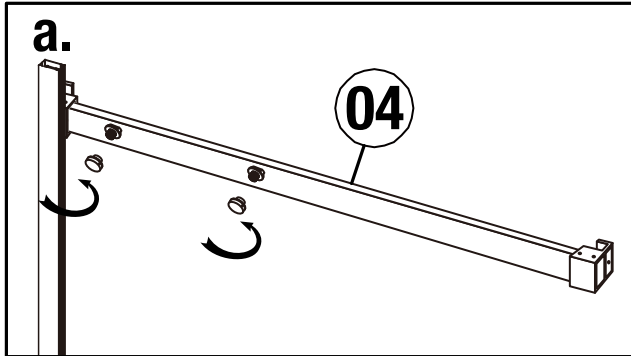


Fixed Glass Panel Installation

NOTE

The outer Glass-to-Rail Bracket disk has an eccentric bushing for adjustment. Be sure to install both Glass-to-Rail Bracket disks with the high spot of the bushing pointed towards the door end of the guide rail.

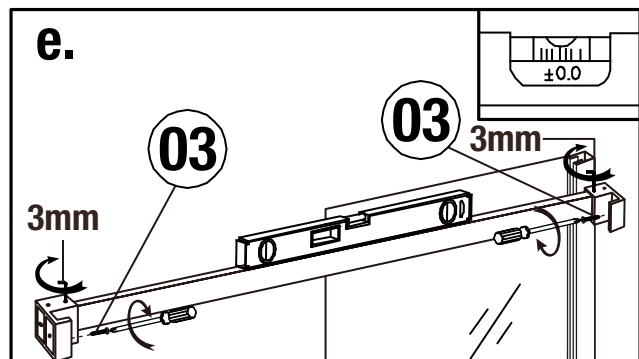
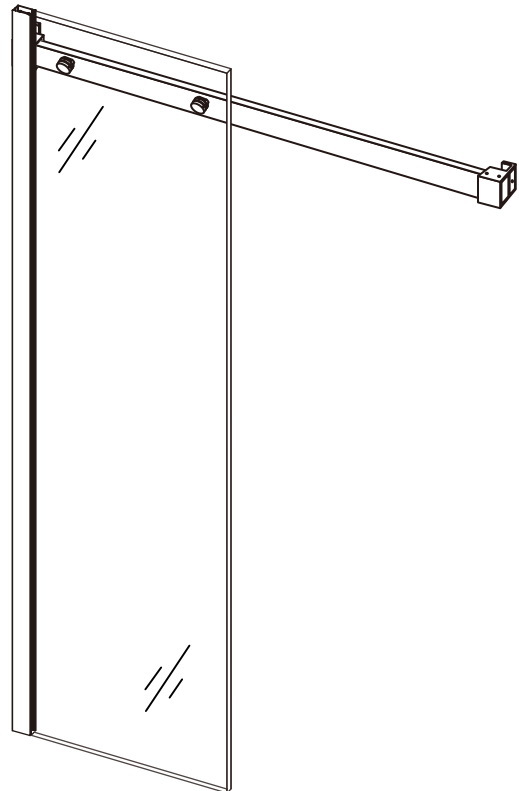
Loose the glass bracket on the Guide Rail (04), slide the Fixed Glass Panel (06) into the Wall Jamb (05) and align the glass bracket to the holes on the Fixed Glass Panel (06), make sure the Fixed Glass Panel (06) is leveled and secure the glass bracket. Tighten the two remaining screws on the Guide Rail Bracket (02).



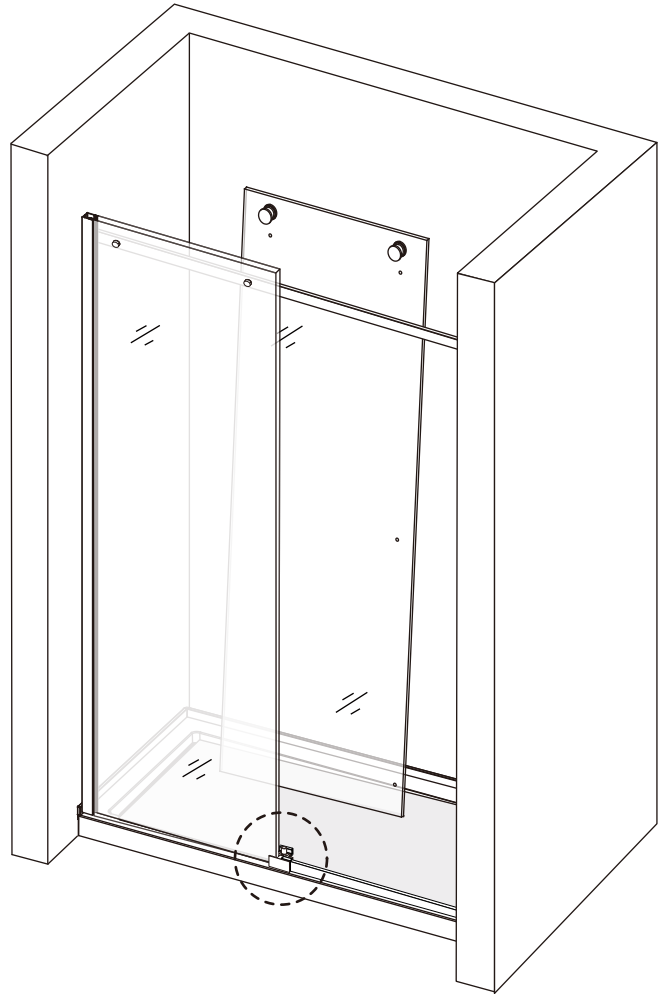
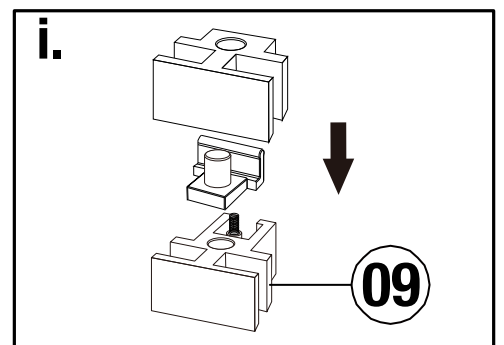
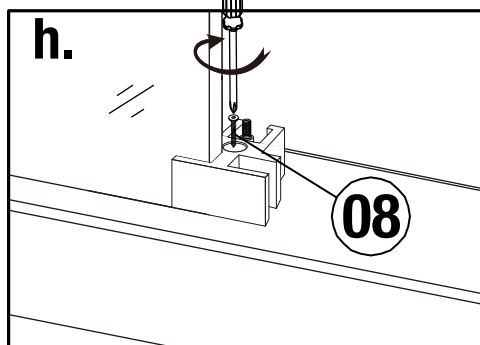
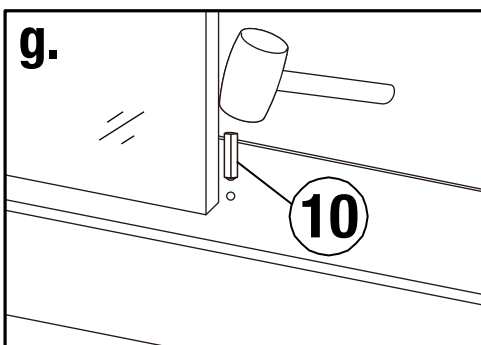
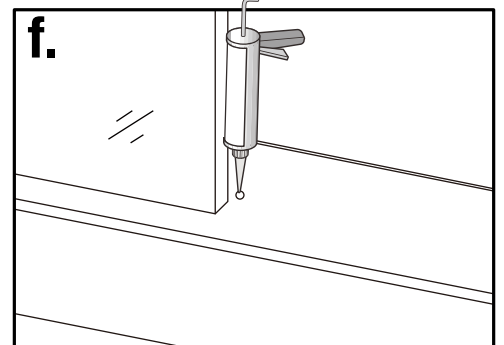
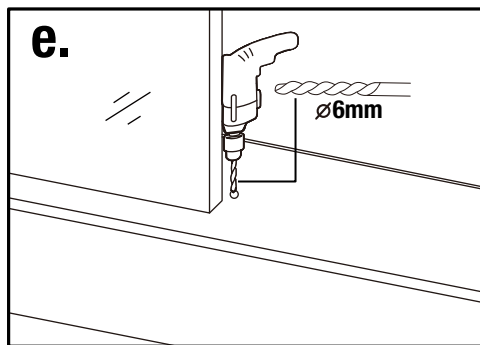
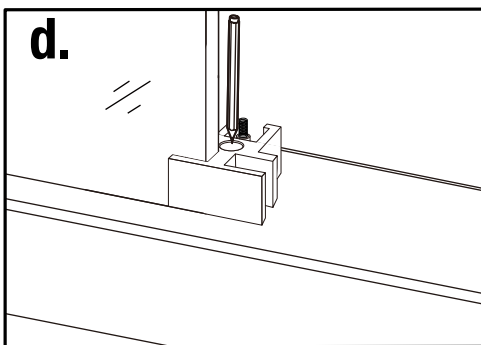
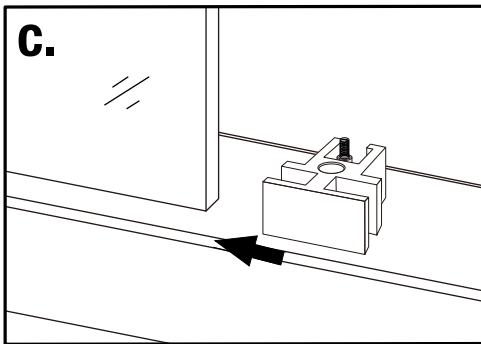
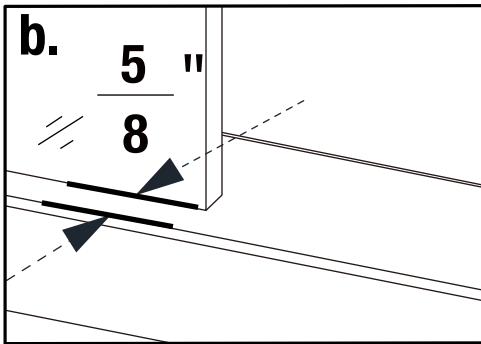
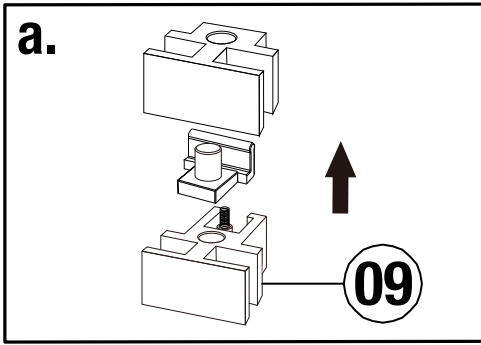
NOTE



Easy-to-clean sticker face to the wall.

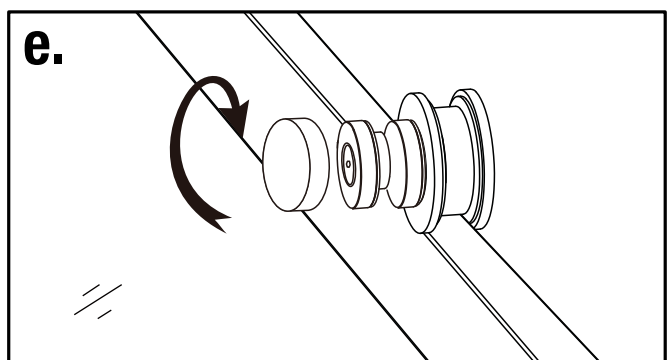
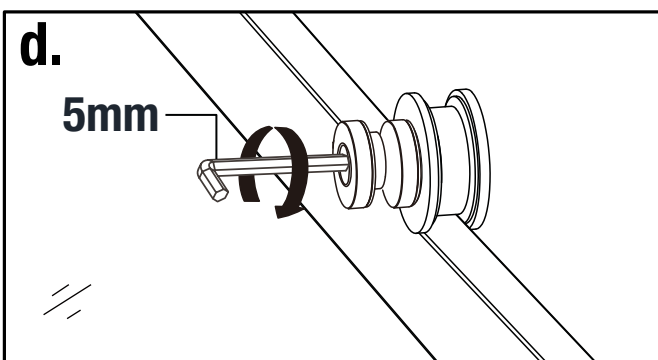
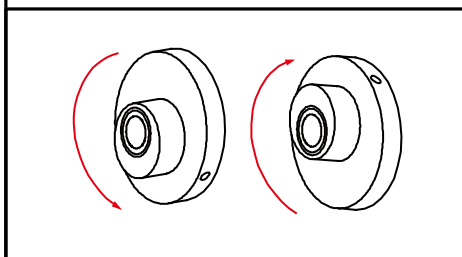
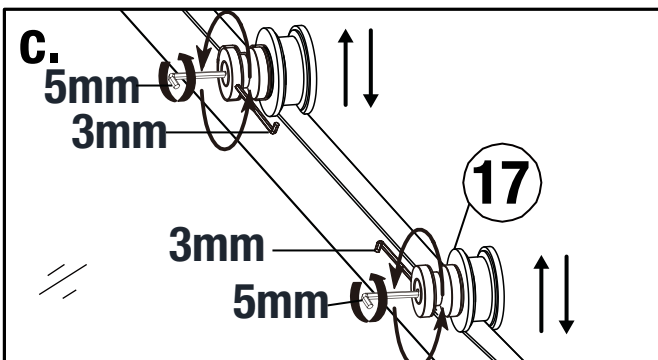
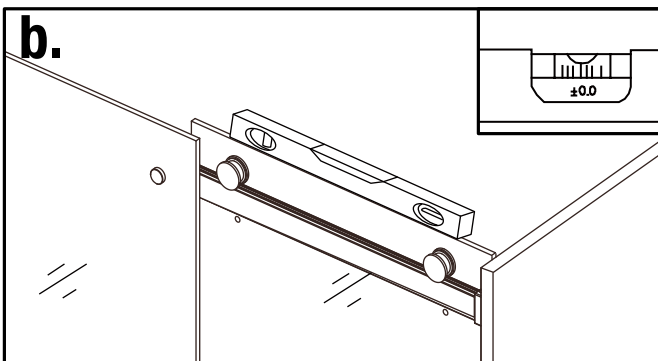
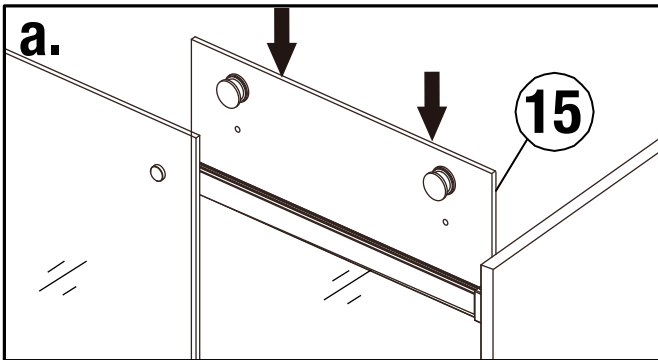
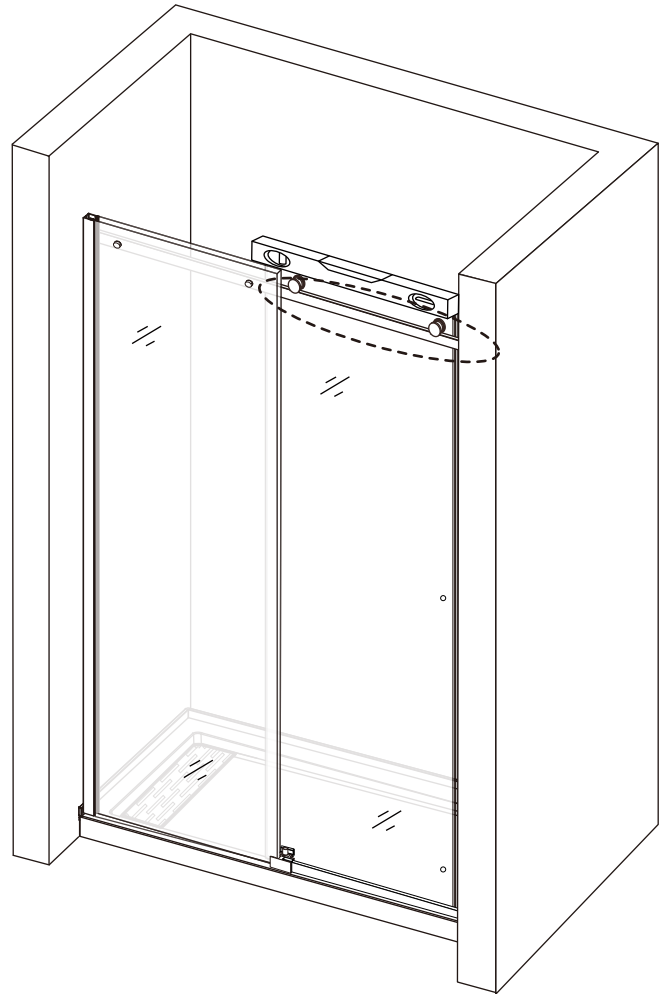


Door Guide Installation



Glass Door Installation

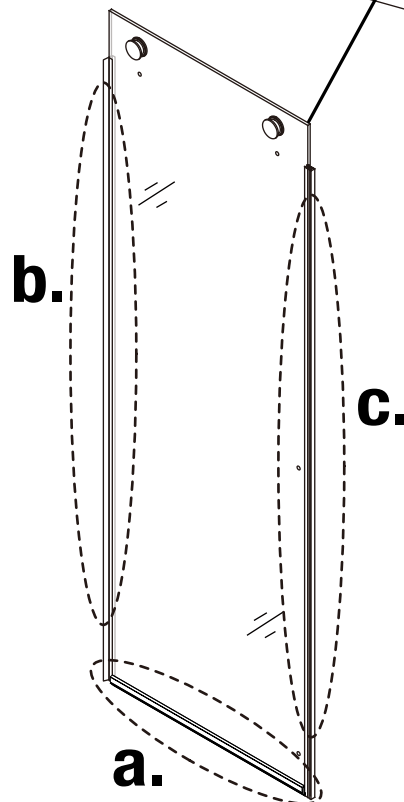
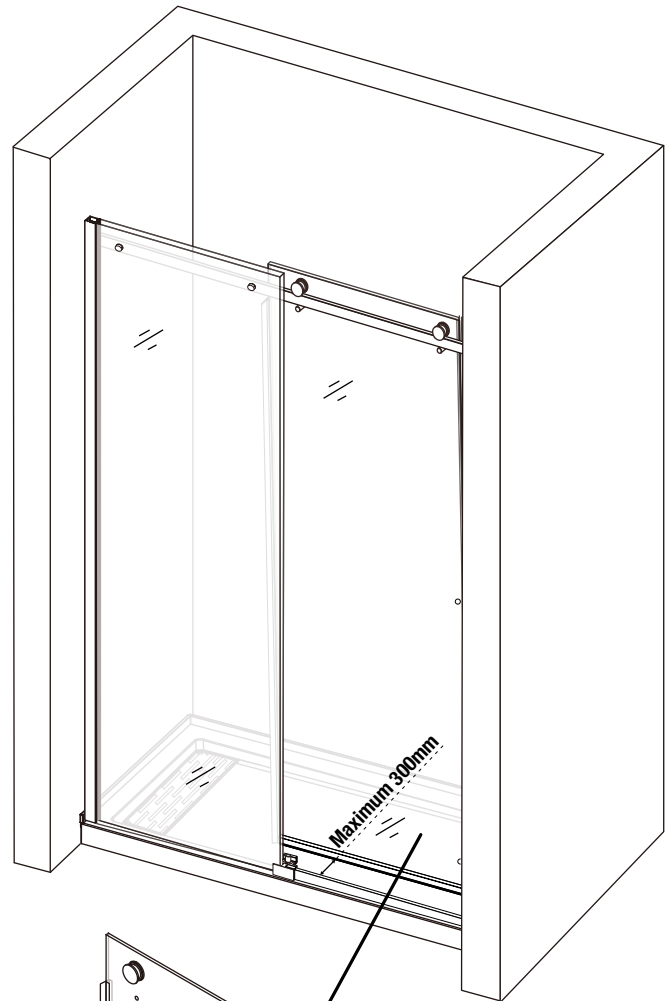
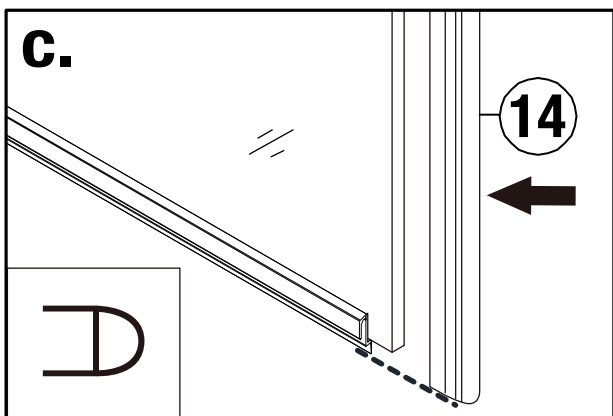
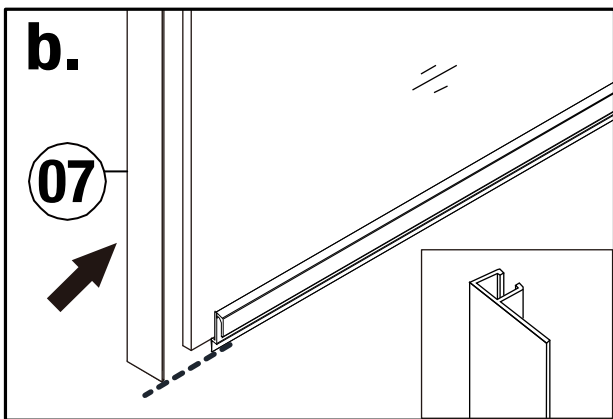
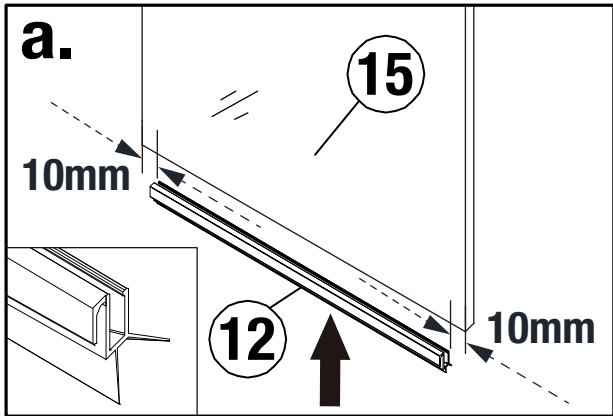
Hang the Glass Door (15) to the Guide Rail (04) and perform steps c and d to make sure they are leveled, then secure the Roller (17) and close the lid.



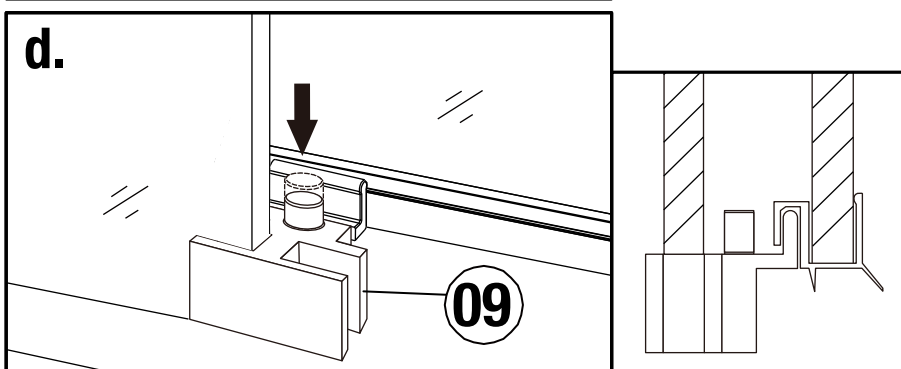
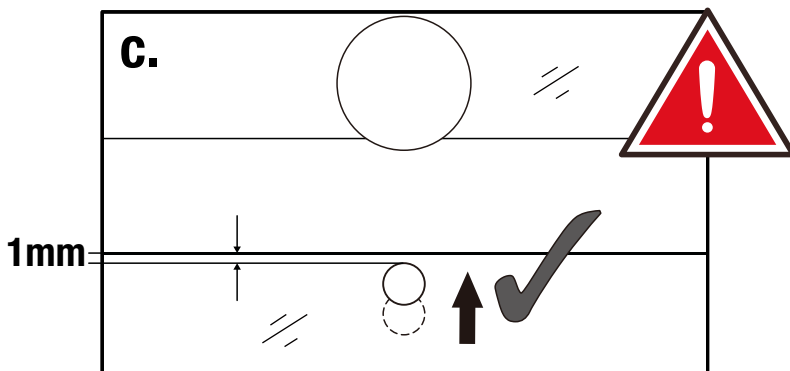
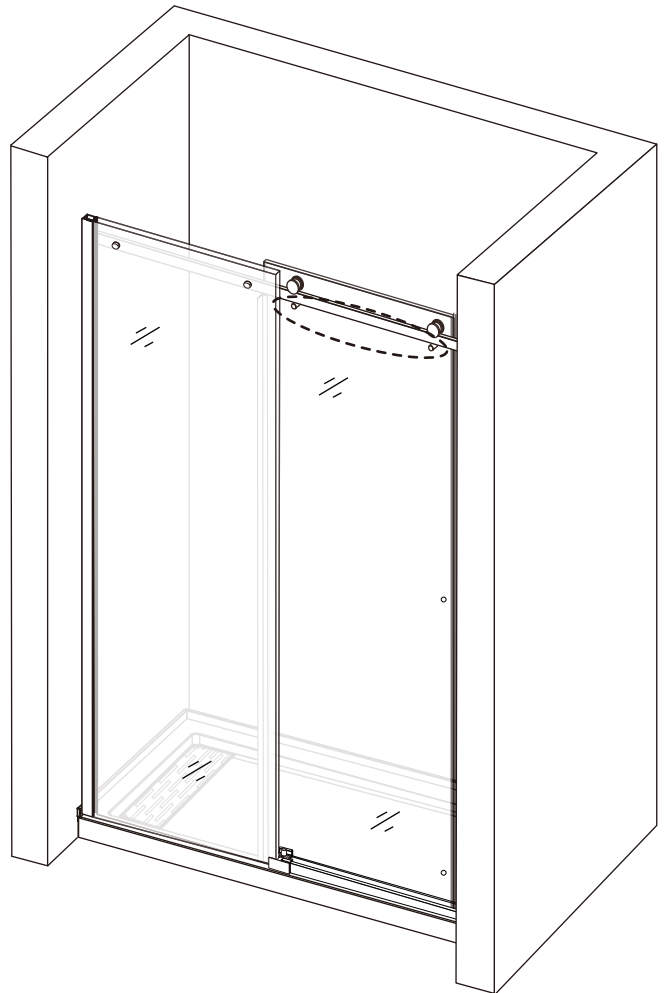
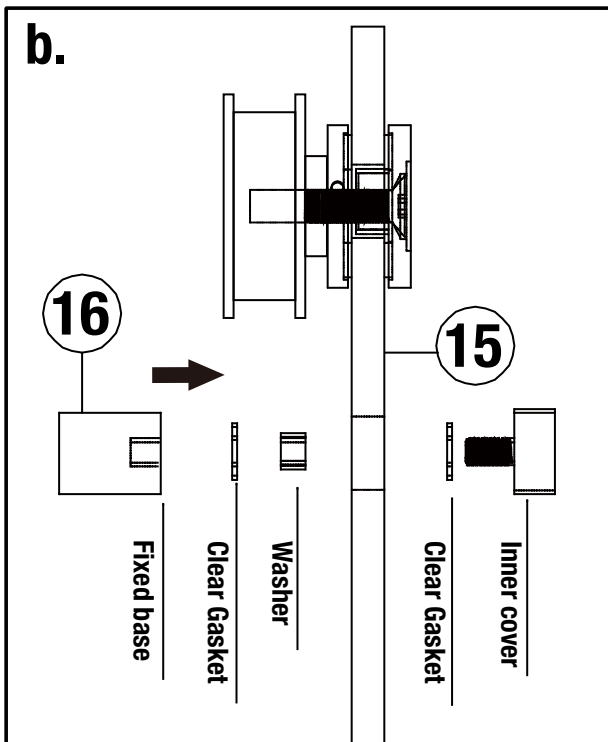
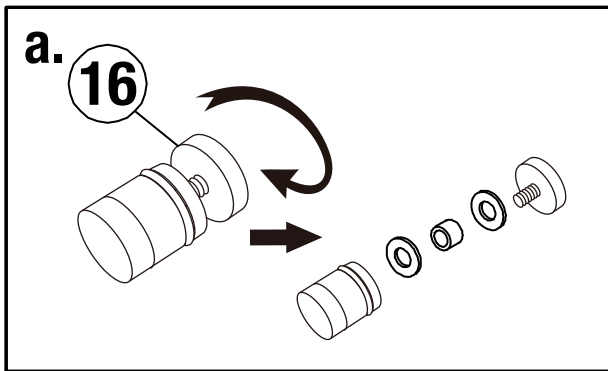
Anti-water Strip Installation

NOTE

When installing the Bottom Anti-Water Strip (12) at the bottom of the Glass Door (15), the Glass Door (15) must not be bent inward by more than 300 mm.



Safety Pin Installation

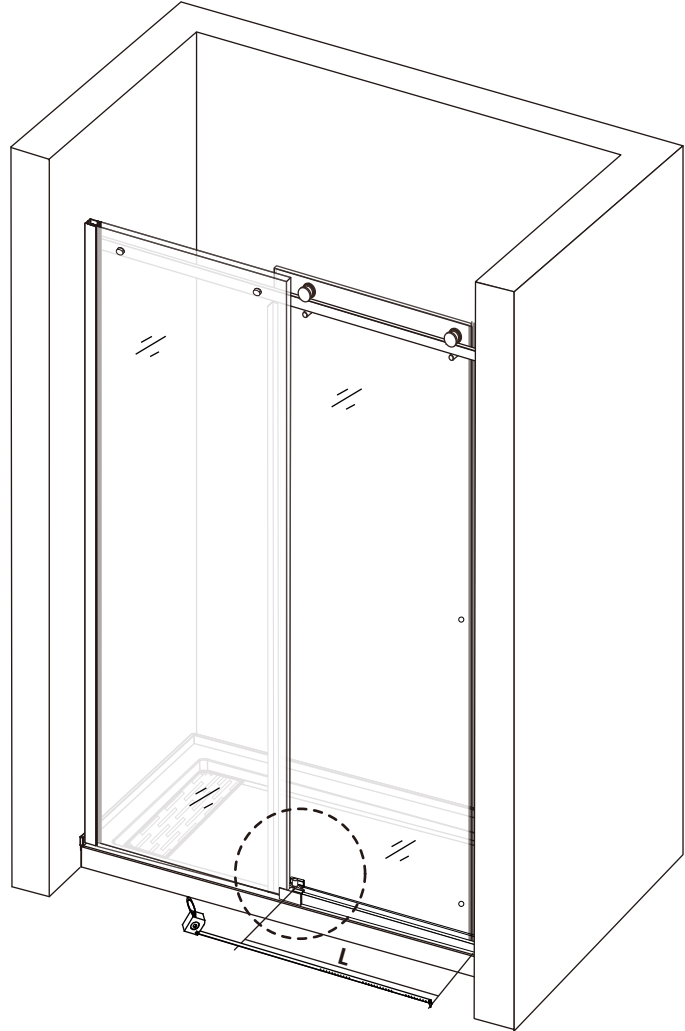
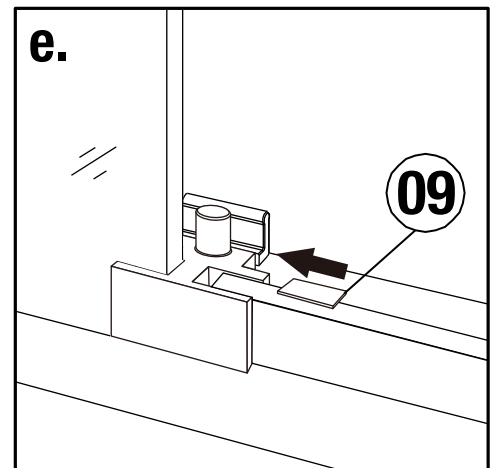
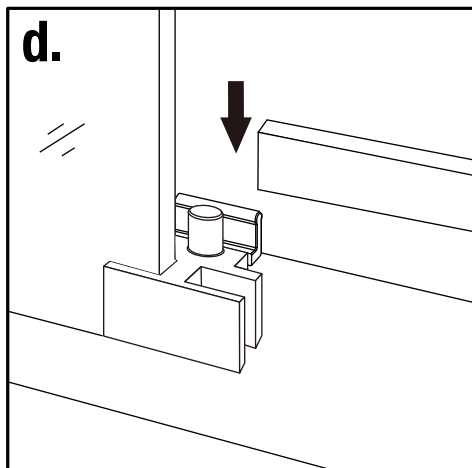
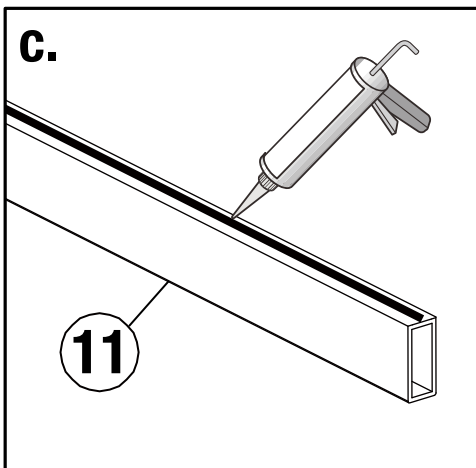
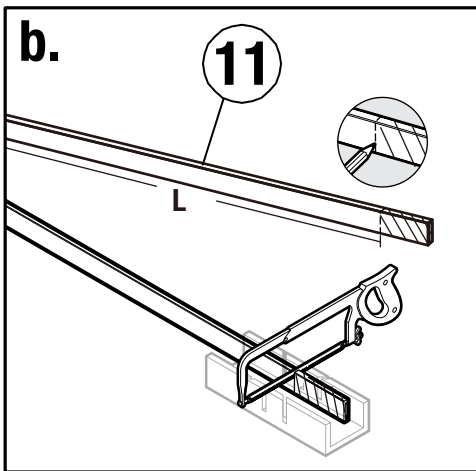
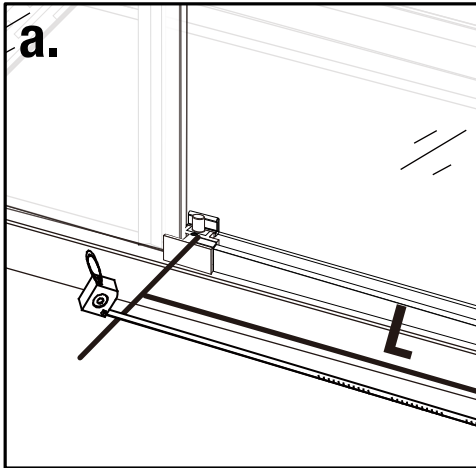


NOTE

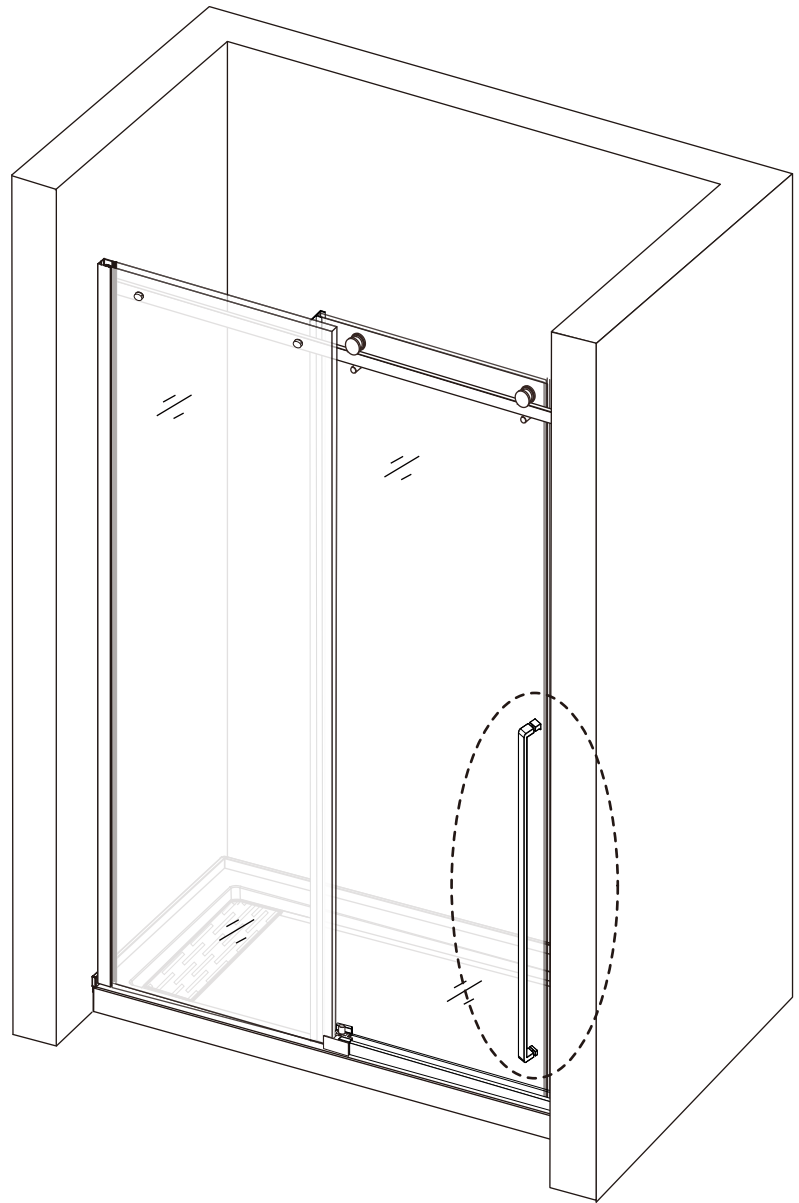
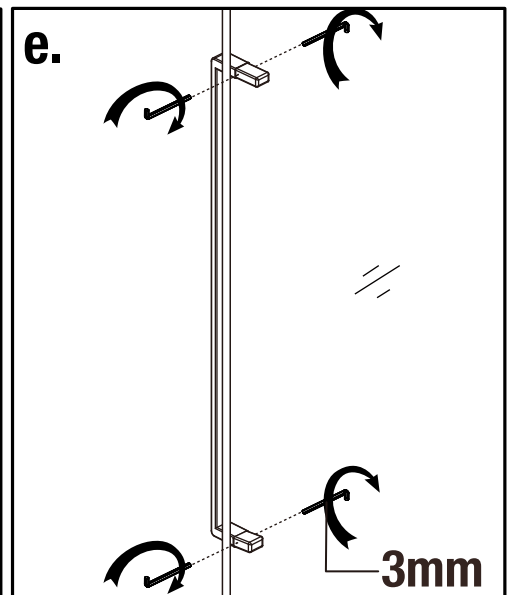
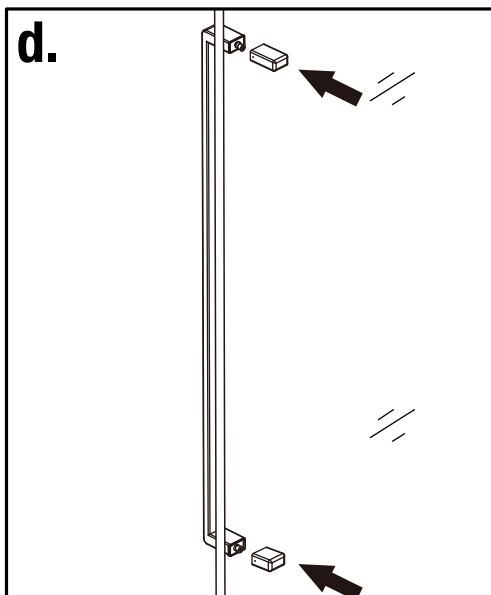
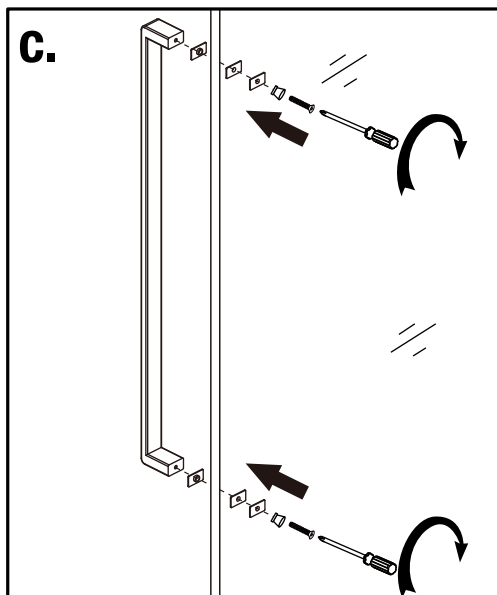
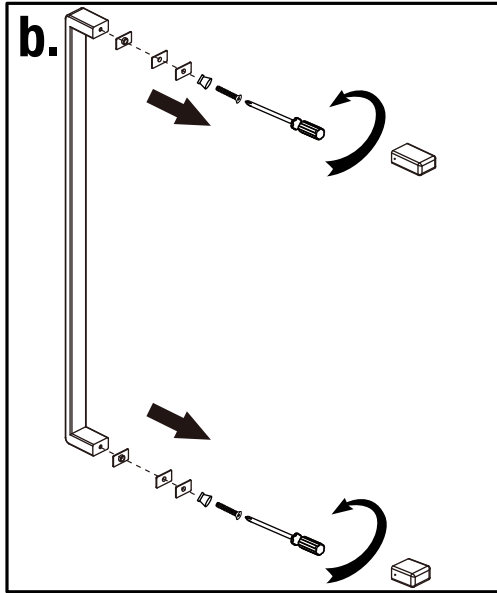
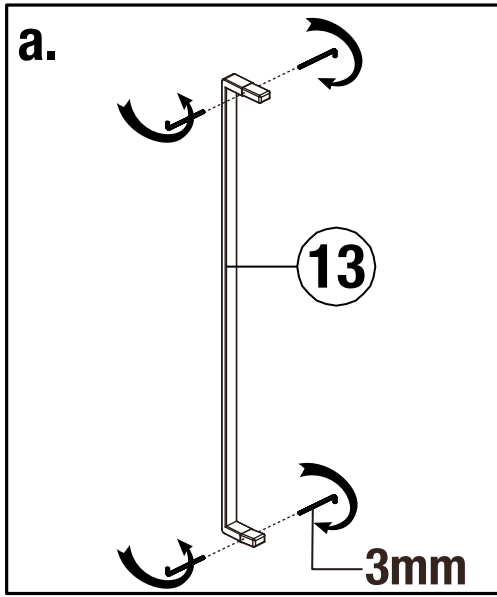
Press down the Door Guide (09) so that it hooks into the slot of the Bottom Anti-Water Strip (12) installed under the Glass Door (15).

Drip Shield Installation

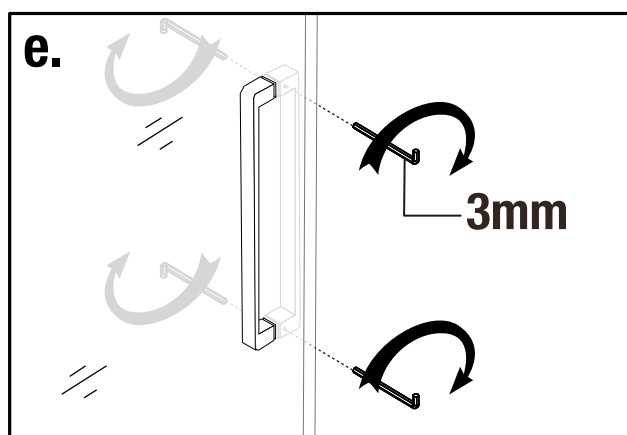
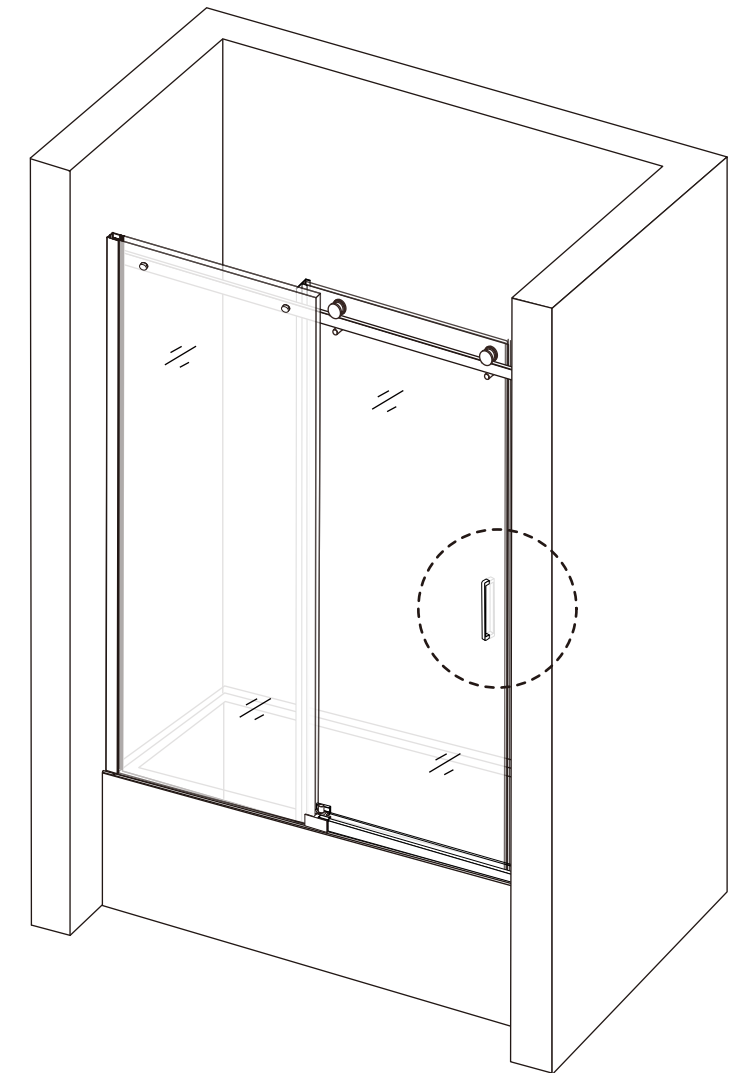
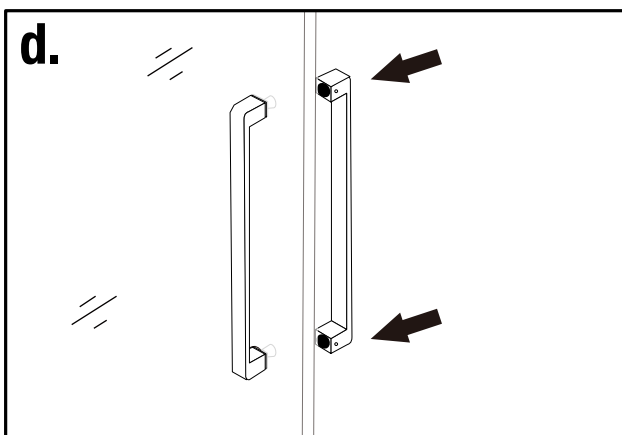
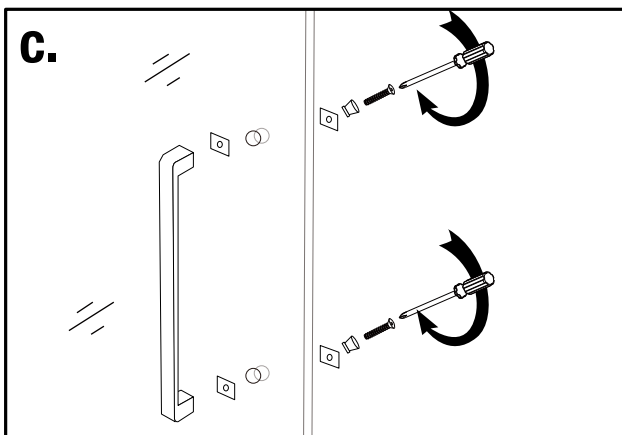
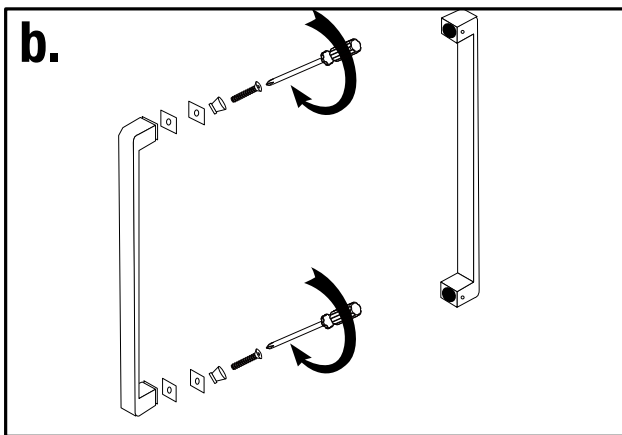
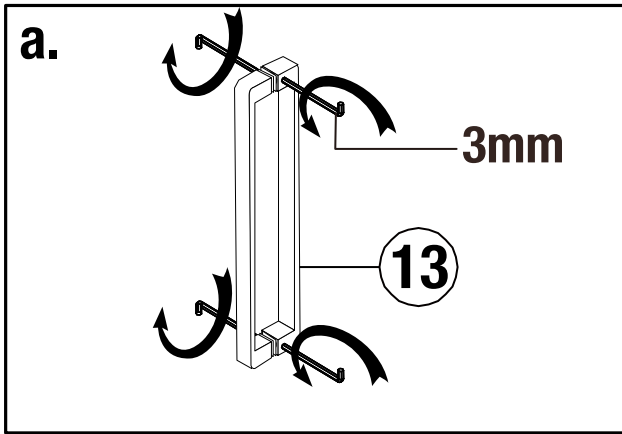
Measure the distance "L" from the Fixed Glass Panel to the wall. Cut the Drip Shield (11) to the length of "L" if necessary.



Shower Door Handle Installation



Tub Door Handle Installation

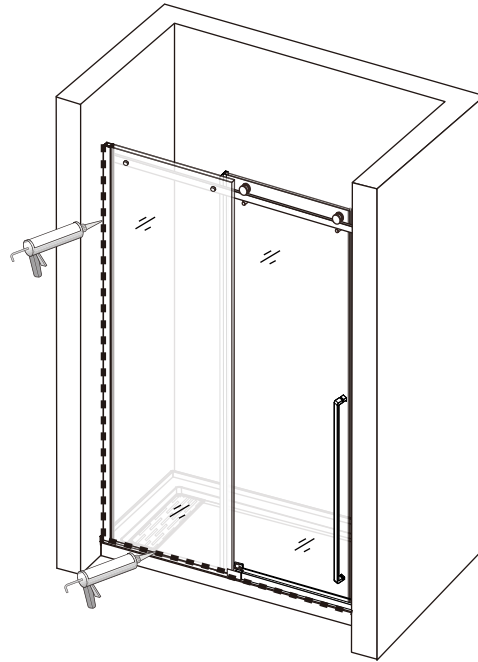
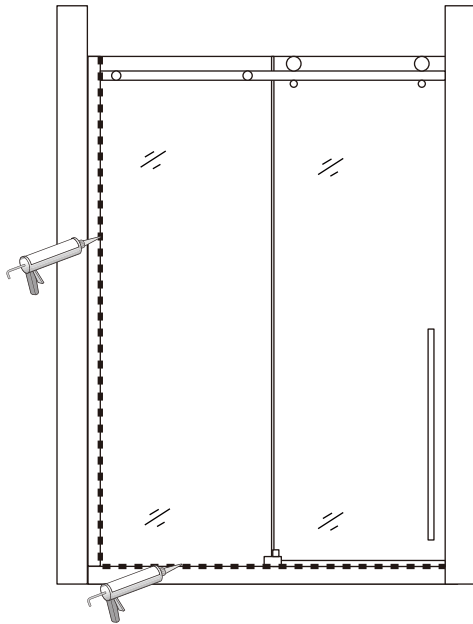


Silicone Seal

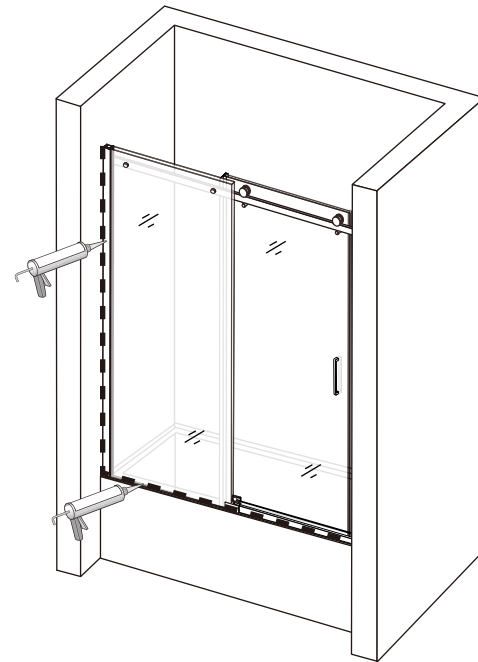
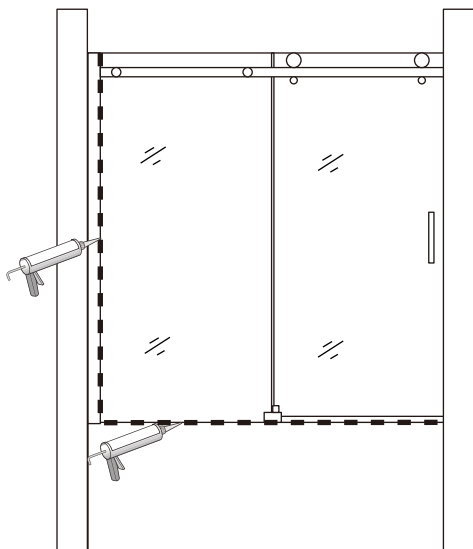
Apply silicone sealant on the seams between the Fixed Glass Panel and the shower base/ bathtub, and between the wall and the Fixed Glass Panel.



MUST ALLOW SILICONE TO DRY FOR 24 HOURS BEFORE STARTING USING THE SHOWER ENCLOSURE.



TUB DOORS INSTALLATION THE SAME AS SHOWER DOORS



Thank you for choosing Morvano products!

Please do not hesitate to contact us if you have any questions or concerns.

Troubleshooting

Problem: Alignment	Recommended Actions
1. Bumper Strip not fully aligned - A gap between the Bumper Strip and the wall.	<p>A. Open the door and ensure that it closes without difficulty. Also ensure that the gap between the bottom and top is the same size. If not, slightly loosen one of the Roller and Safety Pins and adjust the door until the top and bottom gaps are equal.</p> <p>B. With the sliding door closed, press the door's Bumper Strip against the wall frame using a thin plastic spacer. Where there is still a crevice between the interior and exterior of the shower, repeat the process.</p>

Problem: Water Leakage	Recommended Actions
1. Leakage under Fix Glass Panel.	<p>A. Ensure Fix Glass Panel is properly secured to the floor.</p> <p>B. Reapply silicone sealant evenly along all bottom surfaces to the exterior of the shower environment. Be sure to seal the edges.</p>
2. Leakage between Glass Door and Fix Glass Panel.	<p>For optimal water retention, the shower assembly should be installed with the Fix Glass Panel on the same side as the showerhead. If this is not achievable, please take the following into account:</p> <p>A. Verify that the Side Anti-Water Strip is installed in the proper position and orientation (refer to P 22).</p>
3. Leakage under Glass Door.	<p>A. Ensure that the Bottom Anti-Water Strip is attached below the Glass Door with its appendages facing the interior.</p> <p>B. Ensure that all joints are sealed by evenly applying silicone sealant to the outer Drip Shield and floor edges of the shower.</p>

WARNING: Do not move the door panel with excessive force, as this may result in damage and injury risk. If the procedures below do not alleviate your symptoms or if you have any concerns, please email support@morvano.com.

 **CAUTION:** Do Not force the door panel to move as doing so may result in breakage and risk of injury.

Problem: Operation	Recommended Actions
1. Glass Door is difficult to move.	<p>A. Please ensure the door panel's Bumper Strip and Side Anti-Water Strip are not touching the bottom.</p> <p>B. Check and make sure the Safety Pin is not touching the Guide Rail. If contact is found, see P23 for adjustment.</p> <p>C. Check to ensure the Bottom Anti-Water Strip is properly seated in the Door guide.</p>
2. Fix Glass Panel can not be installed on the Guide Rail.	<p>A. Using a level, determine whether the level of the Wall Jamb is within the adjustable range.</p> <p>B. Measure the level of the Guide Rail; if it is not level, the Guide Rail Bracket must be reinstalled with an adjustment.</p> <p>C. If both the Wall Jamb and the Guide Rail are level, loosen the screws of the Guide Rail Bracket, align the holes of the Guide Rail with the holes of the Fix Glass Panel, install the Guide Rail Bracket, and then tighten the screws. Refer to P19 for adjustment instructions.</p>
3. Excessive noise or vibration.	<p>NOTE: If the glass panel needs to be removed at any time, wear appropriate safety glasses and non-slip gloves. Ensure that the glass panel is not in contact with any hard surface.</p> <p>A. Carefully inspect all screws and components of the Fix Glass Panel and rail.</p> <p>B. Ensure that all screws, set screws and nuts are properly installed and hand-tightened until fully secured. Make sure all washers and gaskets are installed correctly. For components replacement, please contact support@morvano.com.</p>
Problem: Metal Finishes	Recommended Actions
1. Metal changes colour over time.	Please carefully review and follow our care and cleaning instructions.

