

ASSEMBLY INSTRUCTIONS

FULL LOFT BED WITH SHELF



SAFETY WARNINGS AND GENERAL NOTES:

Follow the information on the warnings on the bunk bed end structure and on the carton. Do not remove the warning label from the bed. Always use the recommended size mattress on mattress support, or both, to help prevent the likelihood of entrapment or falls.

The top surface of the mattress must be at least 5*inch (127mm) below the upper edge of the guardrail.

Do not allow children under 6 years of age to use the upper bunk.

Periodically check and ensure the guardrail, ladder and other components are in their proper position, free from damage, and all connectors are tight.

Do not allow horseplay on or under beds.

Always prohibit jumping on the bed.

Prohibit more than one person on upper bunk.

Always use the ladder for entering and leaving the upper bunk.

Do not use substitute parts. Contact the manufacturer or dealer for replacement parts.

Use of a night-tight may provide added safety precaution for a child using the upper bunk.

Always use guardrails on both long sides of the upper bunk.

If the bunk bed will be placed next to a wall, the guardrail that runs the full length of the bed should be placed against the wall to prevent entrapment between the bed and the wall.

The use of water or sleep flotation mattresses is prohibited.

STRANGULATION HAZARD-Never attach or hang items to any part of the bunk bed that are not designed for use with the bed.

Keep these instructions for future reference.

We recommend assembling your bunk bed on the shipping carton to protect your floor or carpet.

Be certain all staples are out of the box before beginning assembly on the shipping carton.

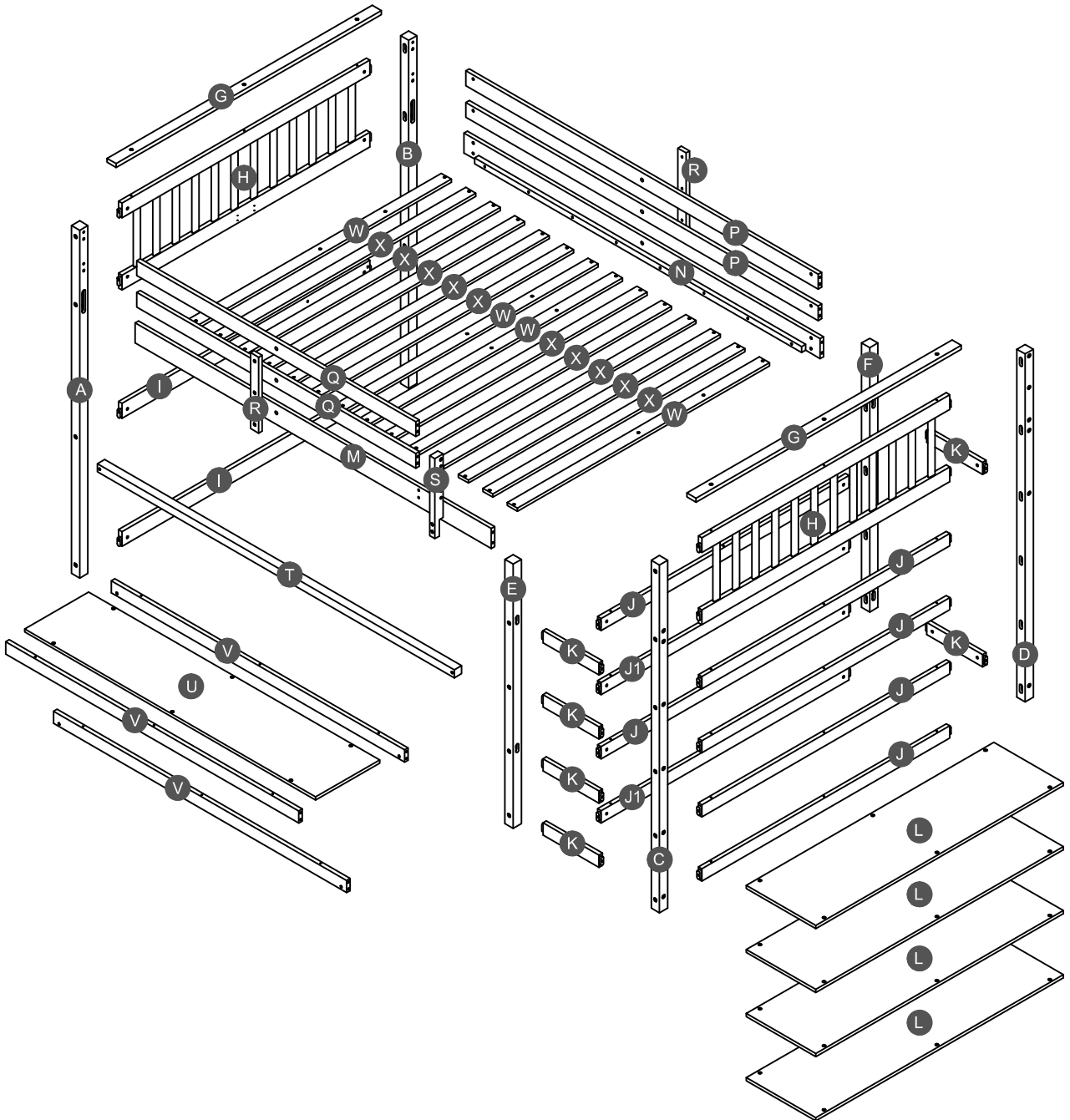
THIS BED IS DESIGNED TO USE A FULL MATTRESSES 54" WIDE X 74"-75" LONG WITH THE TOTAL THICKNESS NOT EXCEEDING 6" FOR UPPER BUNK, FOR THE LOWER FULL-SIZE SHOULD BE 54" WIDE X 74"-75" LONG, WIDE WITH 8" THICKNESS.

SURFACE OF MATTRESS MUST BE AT LEAST 5" (127MM) BELOW THE UPPER EDGE OF GUARDRAILS.

Replacement Parts:

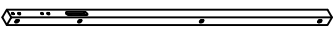
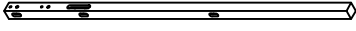
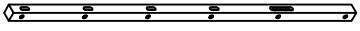

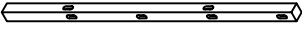
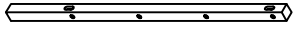
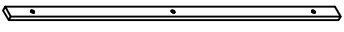
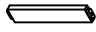
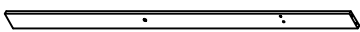



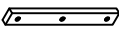
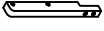
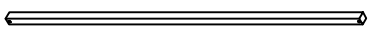
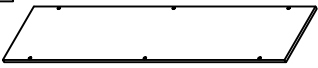

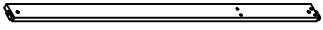
Replacement Parts, including additional guardrails, may be obtained from any of our dealers

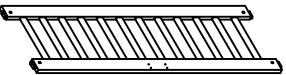
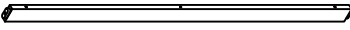
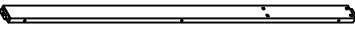



Detail View





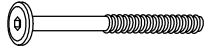






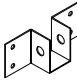


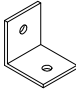

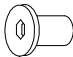
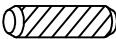
Part List

Hardware List

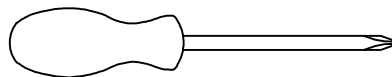
| | | |
|---|--|--|
| <p>A</p>  <p>Leg (Left front) - 1pc</p> | <p>B</p>  <p>Leg (Left back) - 1pc</p> | <p>C</p>  <p>Leg (Right front) - 1pc</p> |
| <p>D</p>  <p>Leg (Right back) - 1pc</p> | <p>E</p>  <p>Leg short (Front) - 1pc</p> | <p>F</p>  <p>Leg short (Back) - 1pc</p> |
| <p>G</p>  <p>Cap for upper HB-FB - 2pcs</p> | <p>K</p>  <p>Step ladder - 6pcs</p> | <p>M</p>  <p>Side rail (front) -1pc</p> |
| <p>N</p>  <p>Side rail (back) -1pc</p> | <p>P</p>  <p>Long guard rail (back) - 2pcs</p> | <p>Q</p>  <p>Short guard rail (front) - 2pcs</p> |
| <p>R</p>  <p>Vertical guard rail - 2pcs</p> | <p>S</p>  <p>Support guard rail (Right) -1pc</p> | <p>T</p>  <p>Lower support slat - 1pc</p> |
| <p>U</p>  <p>Top panel - 1pc</p> | <p>V</p>  <p>Horizontal bar - 3pcs</p> | <p>I</p>  <p>Horizontal bar HB - 2pcs</p> |

| | | |
|---|---|--|
| <p>H</p>  <p>Frame HB - FB - 2pcs</p> | <p>J</p>  <p>Horizontal bar FB - 6pcs</p> | <p>J1</p>  <p>Horizontal bar FB - 2pcs</p> |
| <p>L</p>  <p>Shelf - 4pcs</p> | <p>W</p>  <p>Slat - 4pcs</p> | <p>X</p>  <p>Slat - 10pcs</p> |

Hardware List

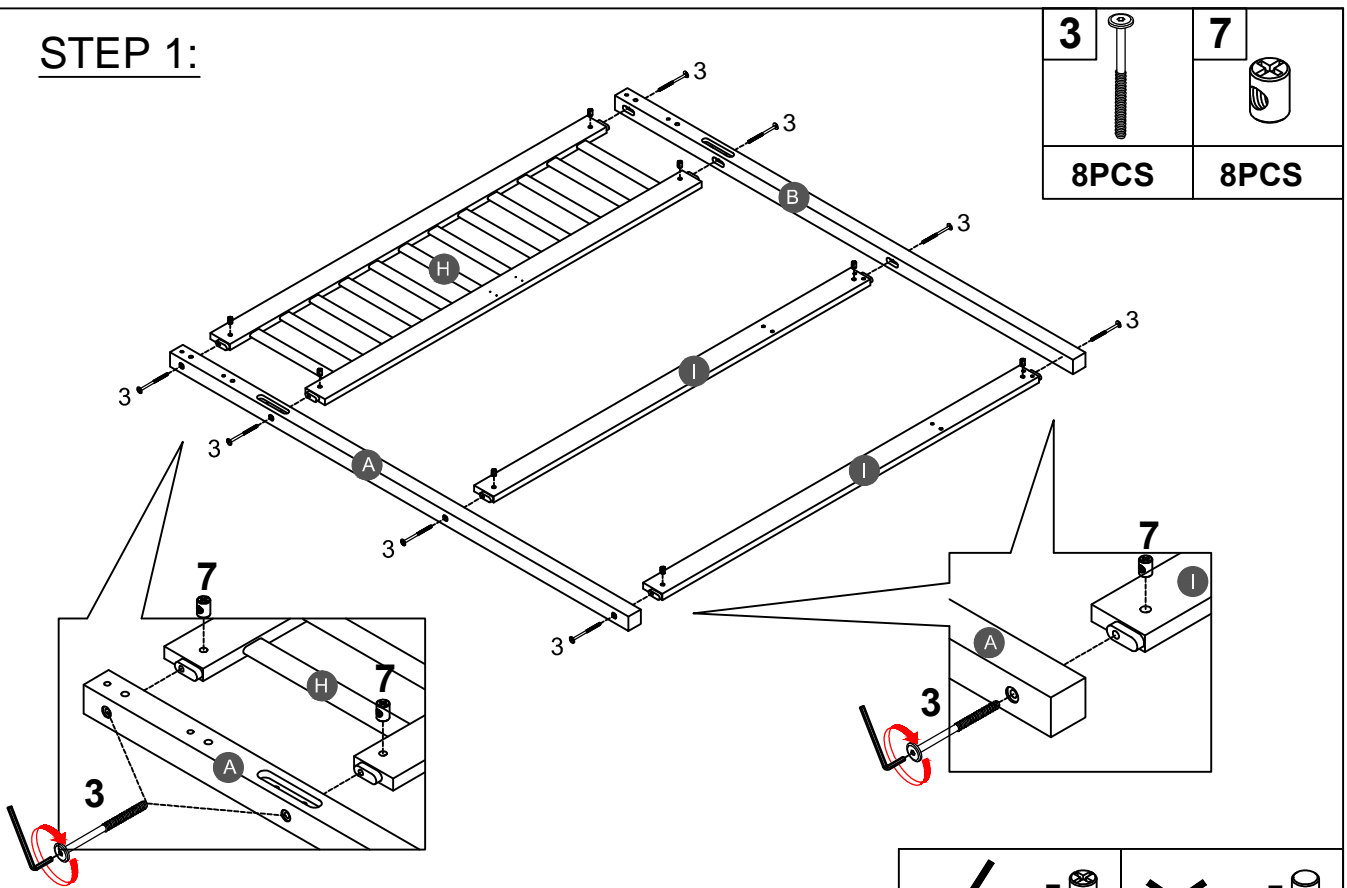
| | | |
|---|---|---|
| 1  Ø8*30mm Wood dowel (6pcs) | 2  (Ø15)1/4"*100mm Hex-Head bolts (14pcs) | 3  (Ø15)1/4"*80mm Hex-Head bolts (42pcs) |
| 4  (Ø12)1/4"*60mm Hex-Head bolts (6pcs) | 5  (Ø12)1/4"*35mm Hex-Head bolts (2pcs) | 6  (Ø12)1/4"*30mm Hex-Head bolts (6pcs) |
| 7  1/4"*15 (9.5mm) Horizontal-Hole bolts (62pcs) | 8  (Ø12)1/4"*40mm Hex-Head bolts (36pcs) | 9  (1/4")4.5*58mm Allen key (2pcs) |
| 10  116*40*27mm Metal bracket (2pcs) | 11  Ø3.5*15mm Wood screws (12pcs) | 12  Ø4*30mm Wood screws (32pcs) |
| 13  24*28*28*2mm Metal bracket (2pcs) | 14  (Ø12)1/4"*40mm Hex-Head bolts (2pcs) | 15  (Ø13)1/4"*14mm Connect bolt (2pcs) |
| 16  Ø10*40mm Wood dowel (8pcs) | | |

ASSEMBLY TOOLS REQUIRED (NOT INCLUDED)



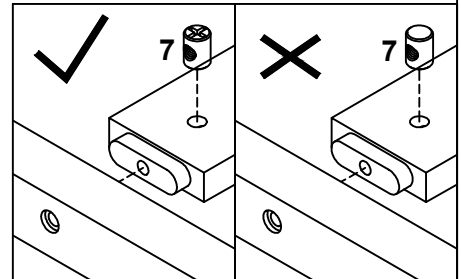
PLEASE BE CAREFUL DO NOT DAMAGE THE HOLE POSITION WHEN YOU USE POWER TOOLS !

STEP 1:

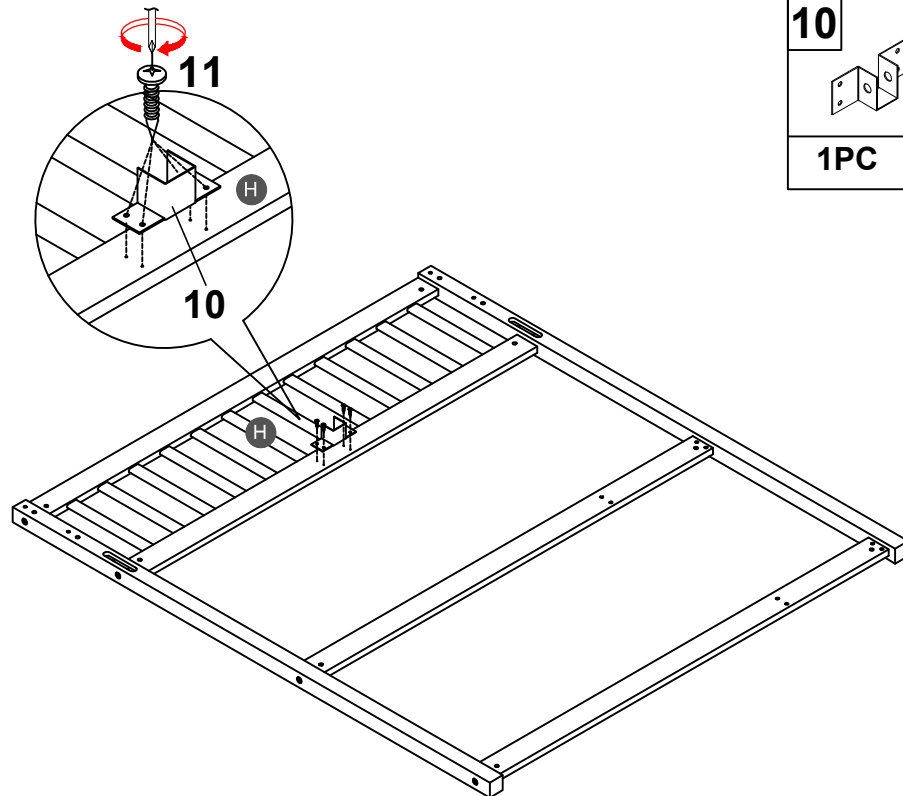


| | | | |
|-------------|--|-------------|--|
| 3 | | 7 | |
| 8PCS | | 8PCS | |

Note: Part 7 will face up with the "x" mark on it, otherwise it cannot be tightened



STEP 2:



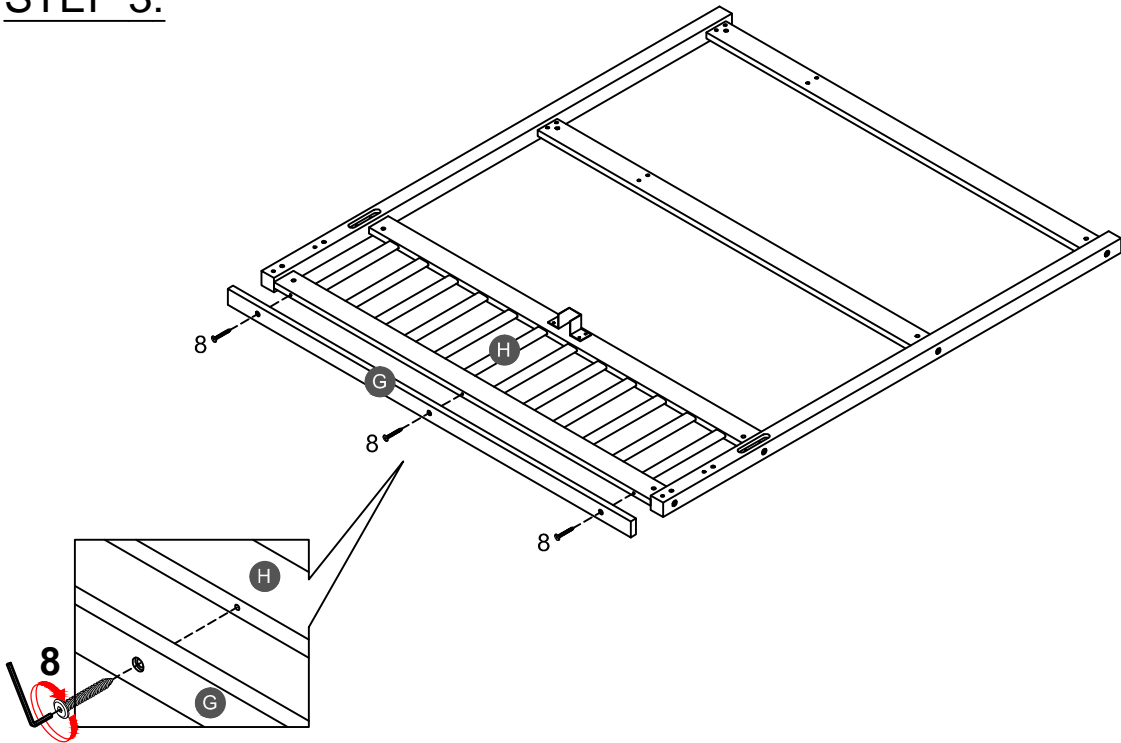
| | | | |
|------------|--|-------------|--|
| 10 | | 11 | |
| 1PC | | 4PCS | |

STEP 3:

8



3PCS



STEP 4:

3

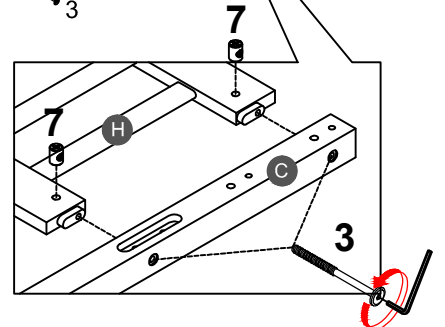
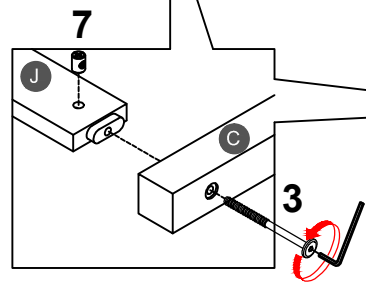
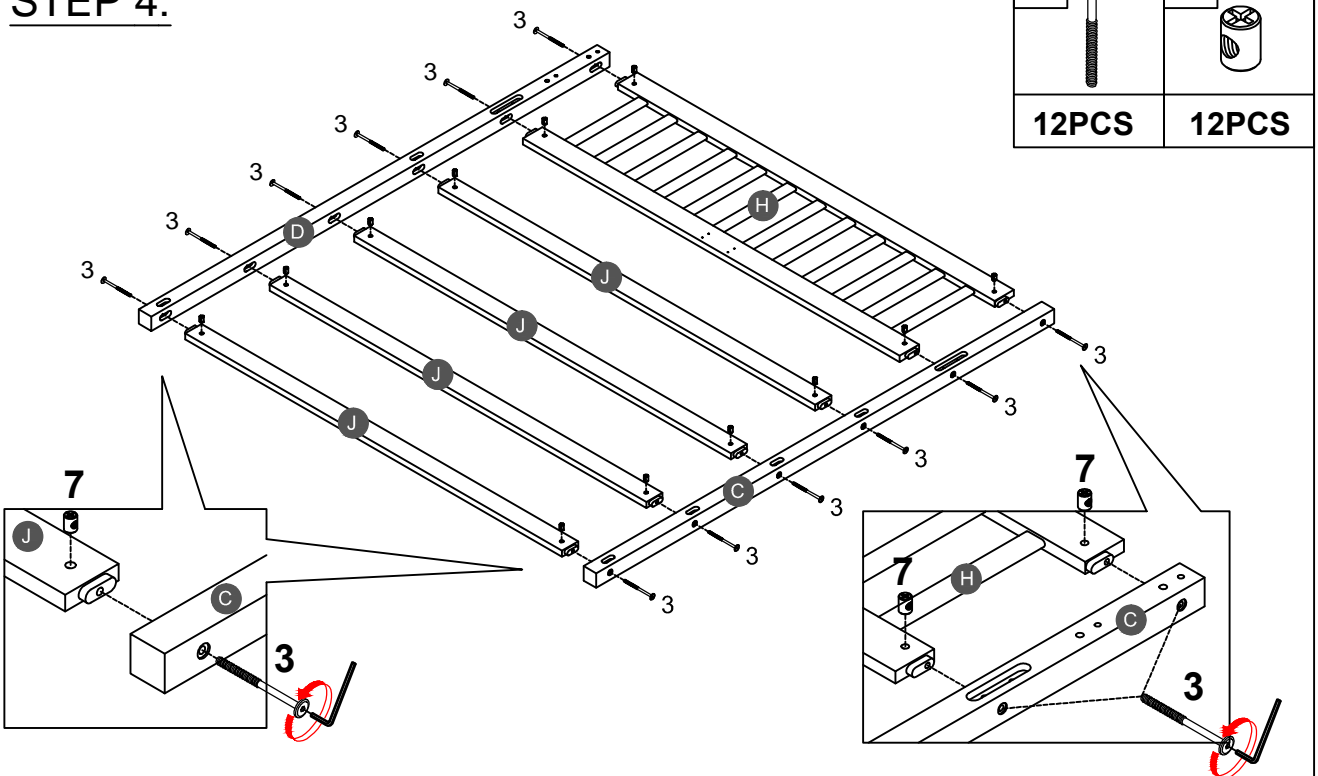


12PCS

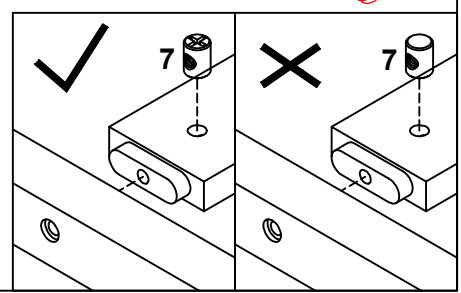
7



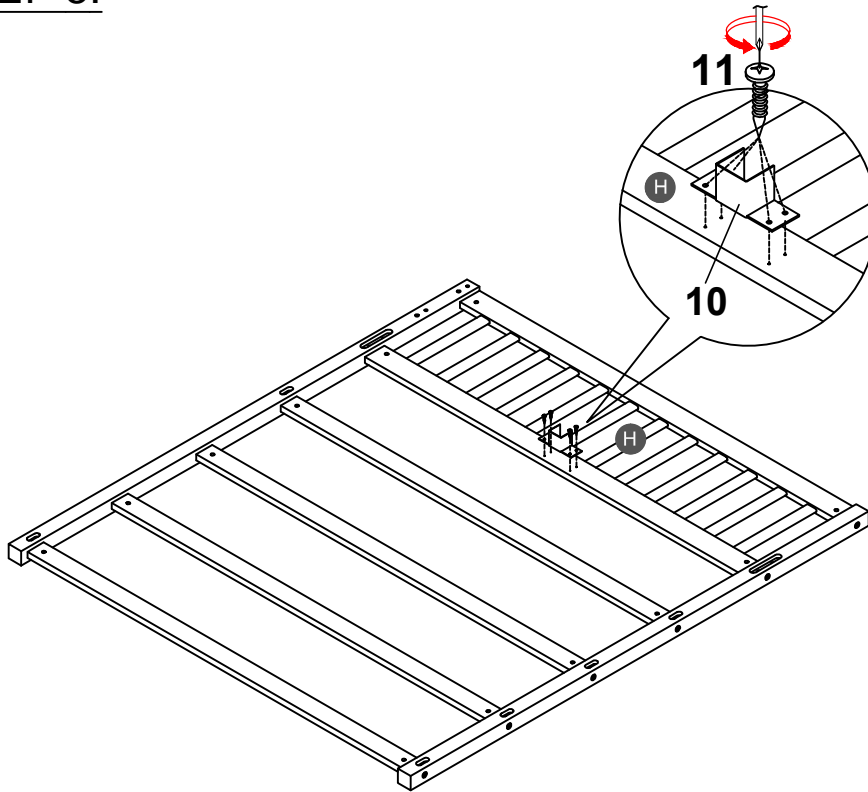
12PCS

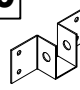



Note: Part 7 will face up with the "x" mark on it, otherwise it cannot be tightened

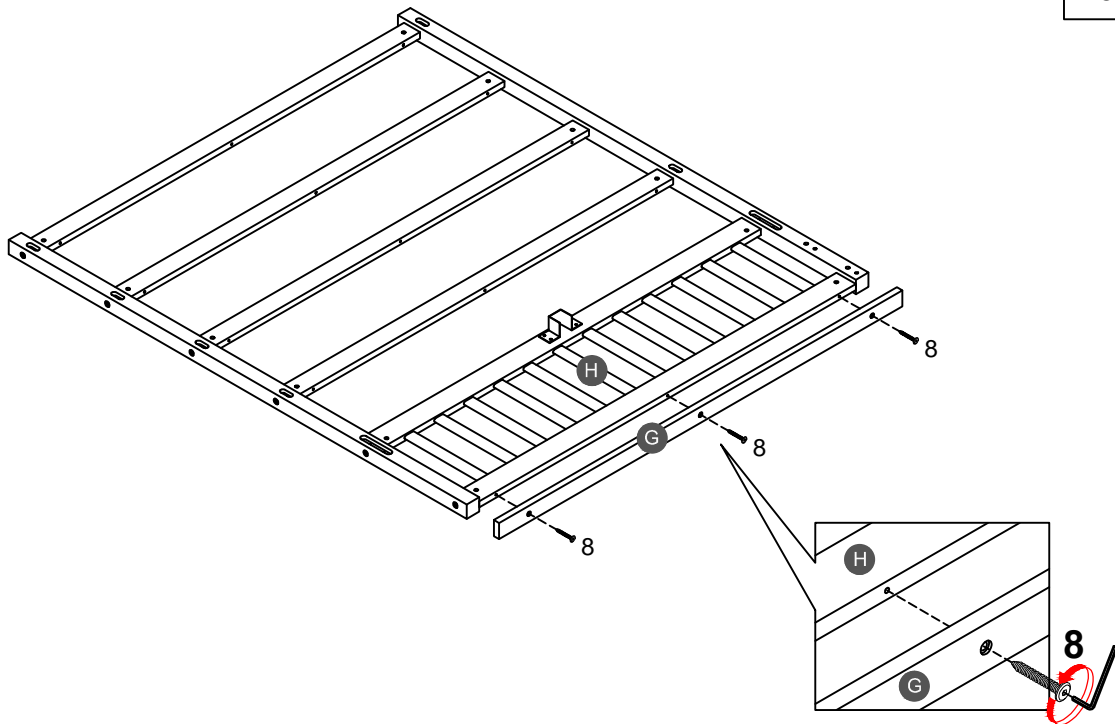



STEP 5:



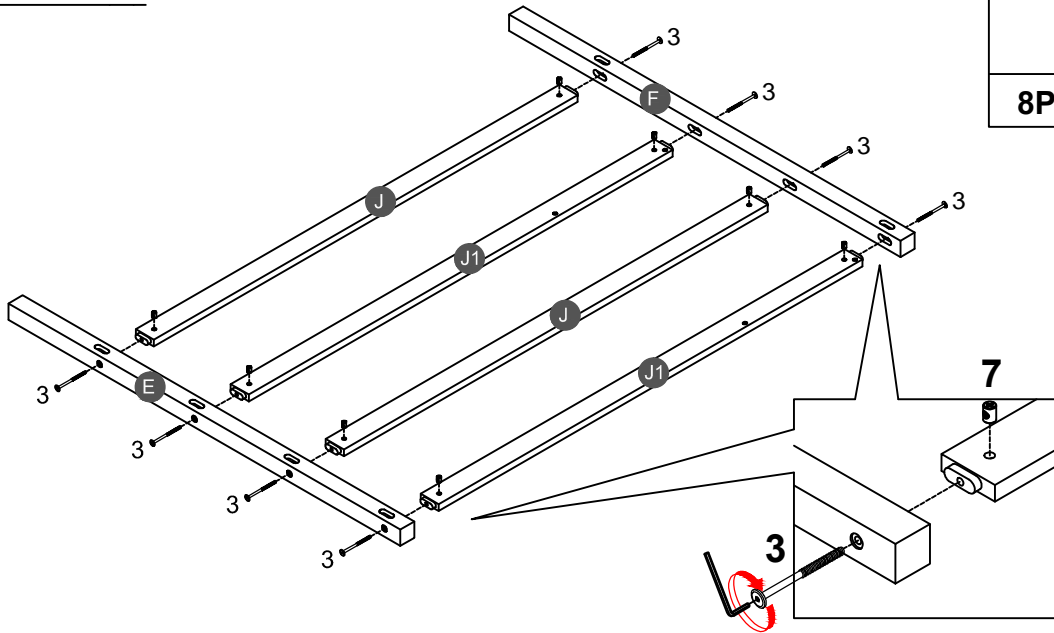
| | |
|--|--|
| 10  | 11  |
| 1PC | 4PCS |

STEP 6:



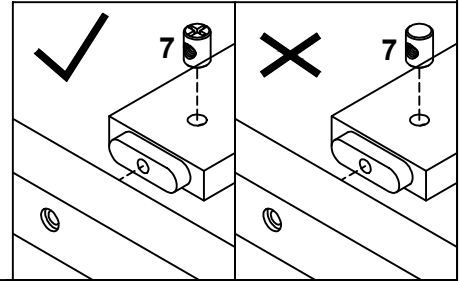
| |
|---|
| 8  |
| 3PCS |

STEP 7:

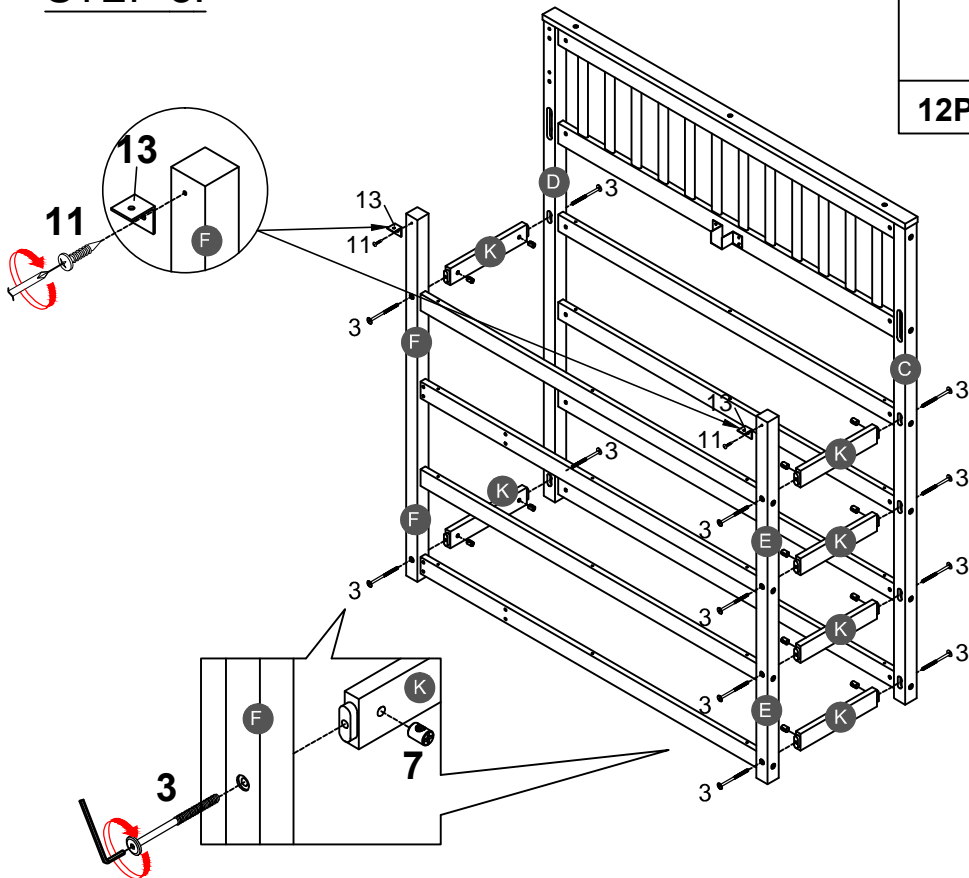


| | | | |
|-------------|--|-------------|--|
| 3 | | 7 | |
| 8PCS | | 8PCS | |

Note: Part 7 will face up with the "x" mark on it, otherwise it cannot be tightened







STEP 8:




| | | | | | |
|--------------|--|--------------|--|-------------|--|
| 3 | | 7 | | 13 | |
| 12PCS | | 12PCS | | 2PCS | |

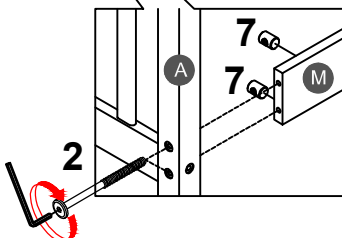
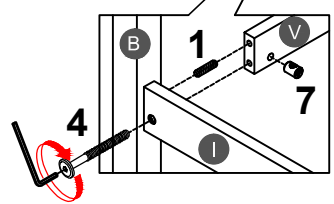
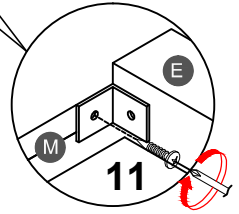
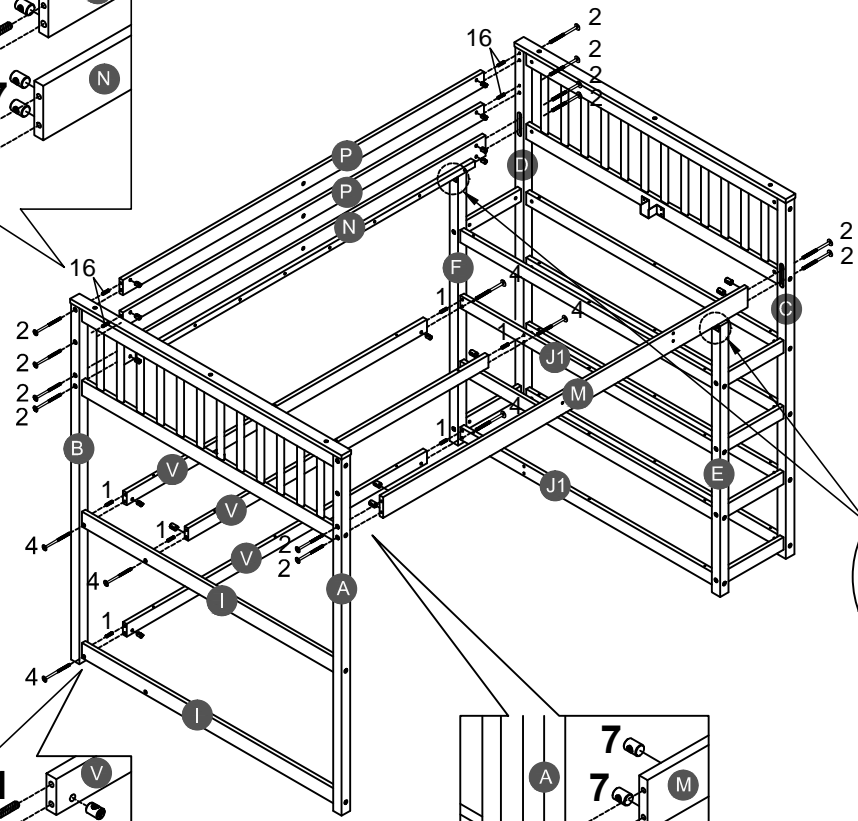
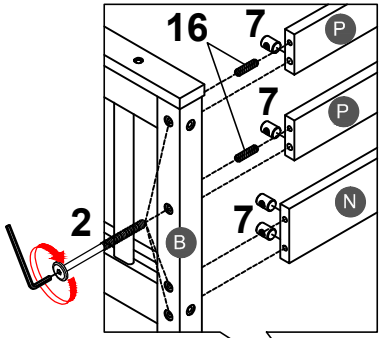
| | |
|-------------|--|
| 11 | |
| 2PCS | |

STEP 9:


| | | | | | | | |
|-------------|---|--------------|---|-------------|---|--------------|---|
| 1 |  | 2 |  | 4 |  | 7 |  |
| 6PCS | | 12PCS | | 6PCS | | 18PCS | |

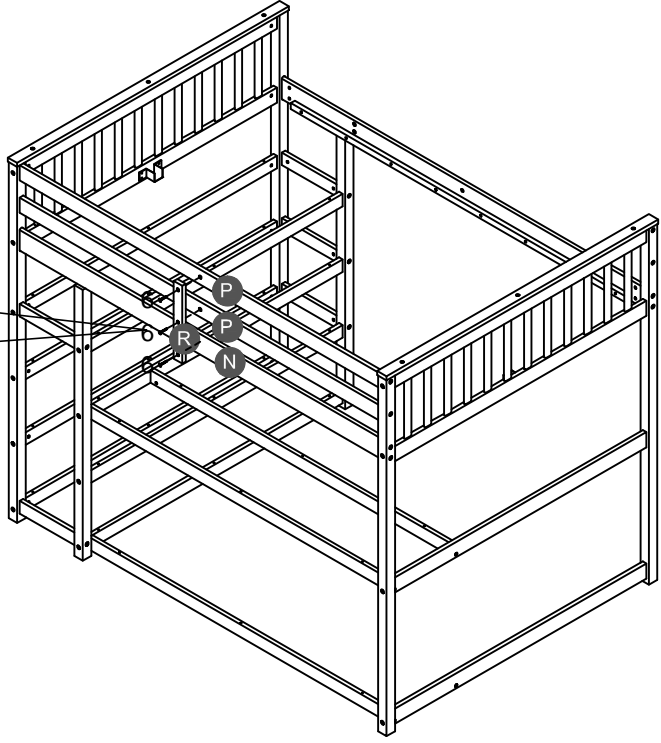
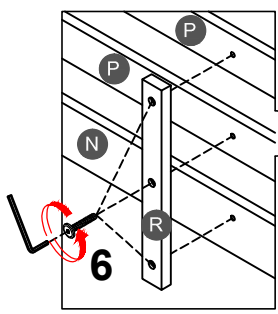
| | |
|-------------|---|
| 11 |  |
| 2PCS | |

| | |
|-------------|---|
| 16 |  |
| 4PCS | |

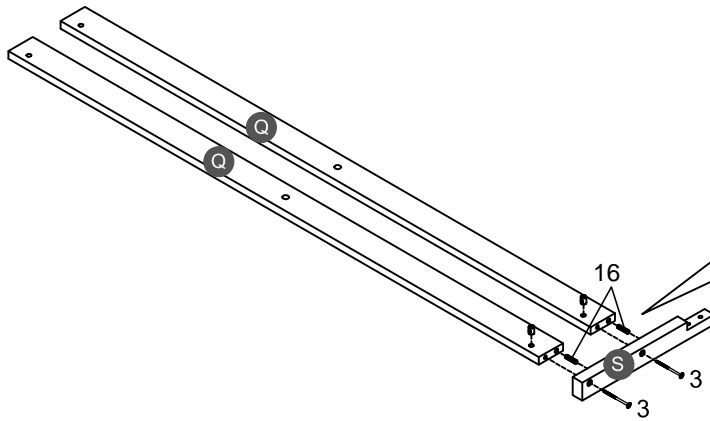


STEP 10:

| | |
|-------------|---|
| 6 |  |
| 3PCS | |

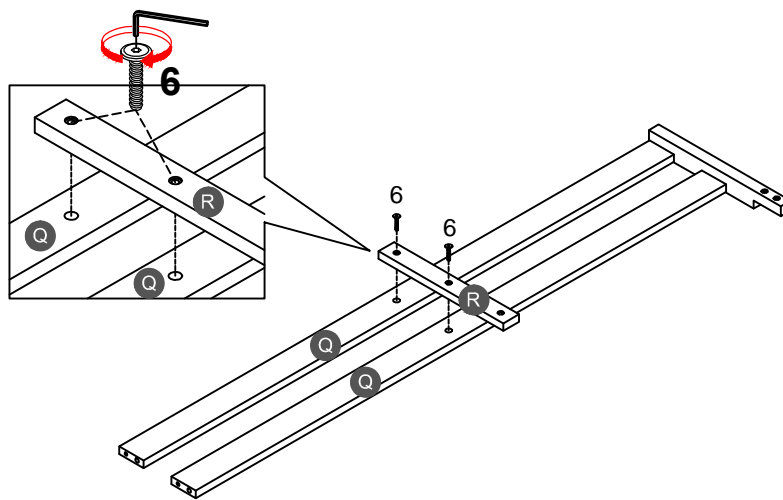


STEP 11:



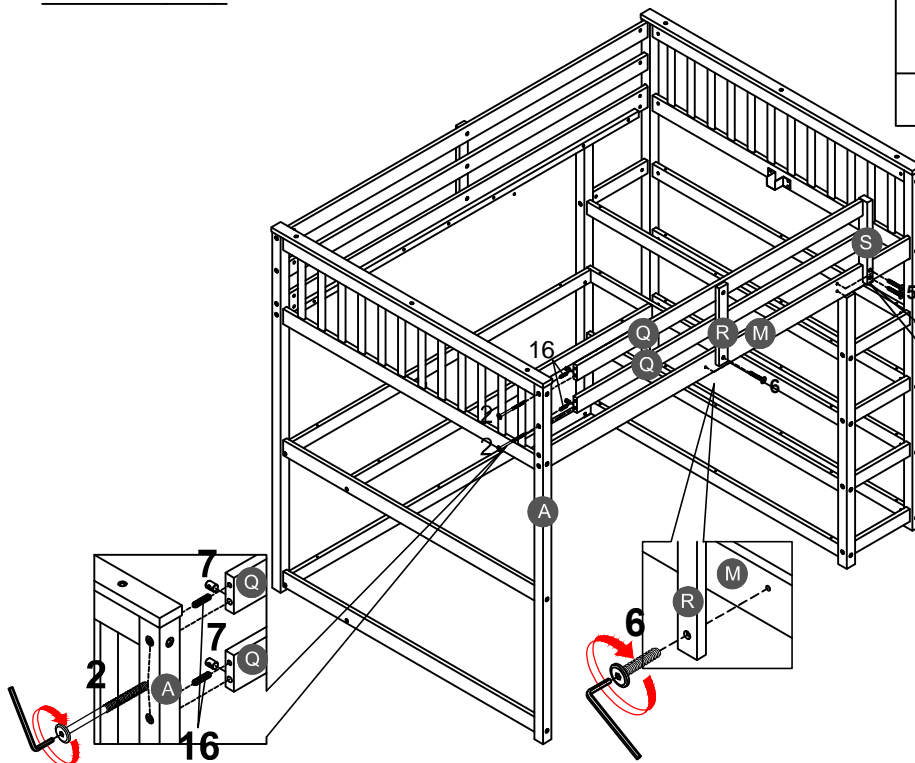
| | | | | | |
|-------------|--|-------------|--|-------------|--|
| 16 | | 3 | | 7 | |
| 2PCS | | 2PCS | | 2PCS | |

STEP 12:



| | |
|-------------|--|
| 6 | |
| 2PCS | |

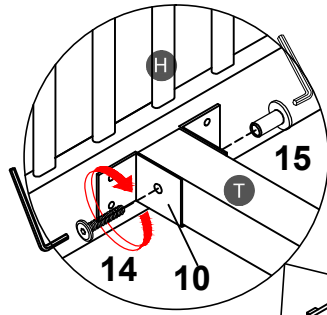
STEP 13:

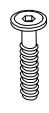
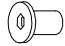


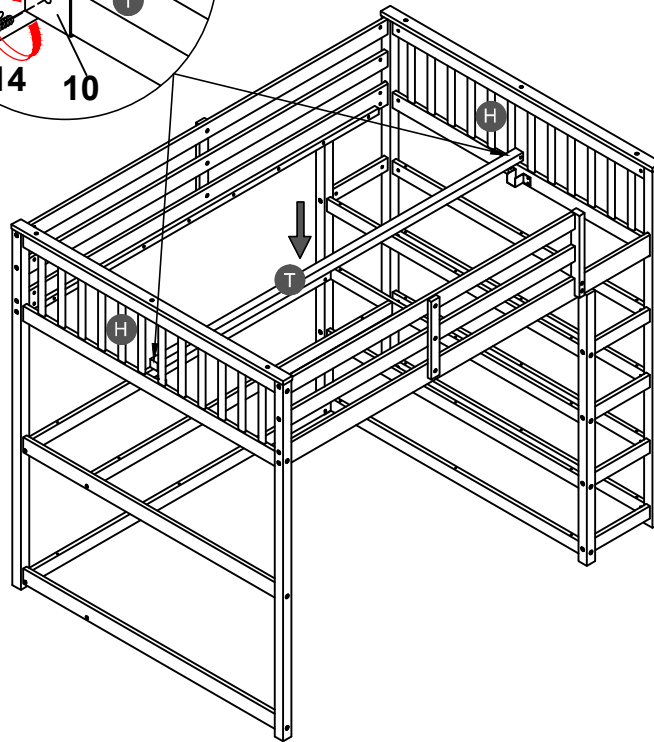
| | | | | | |
|-------------|--|-------------|--|------------|--|
| 2 | | 5 | | 6 | |
| 2PCS | | 2PCS | | 1PC | |

| | |
|-------------|--|
| 7 | |
| 2PCS | |
| 16 | |
| 2PCS | |

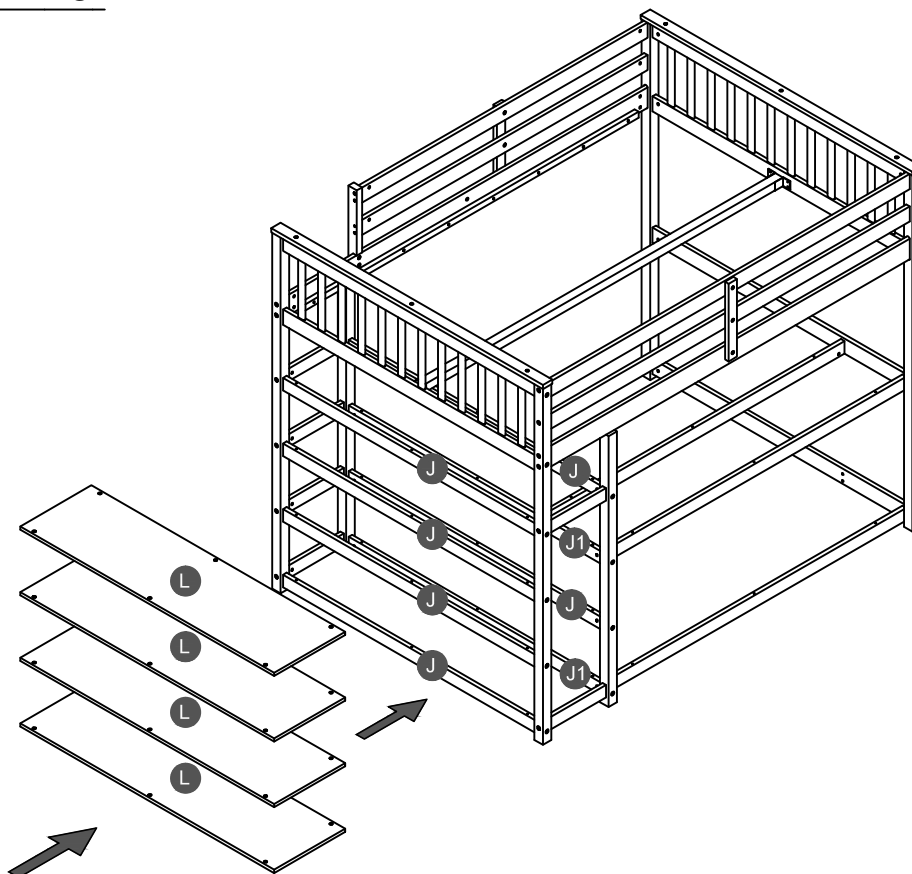
STEP 14:



| | | | |
|-------------|---|-------------|---|
| 14 |  | 15 |  |
| 2PCS | | 2PCS | |



STEP 15:

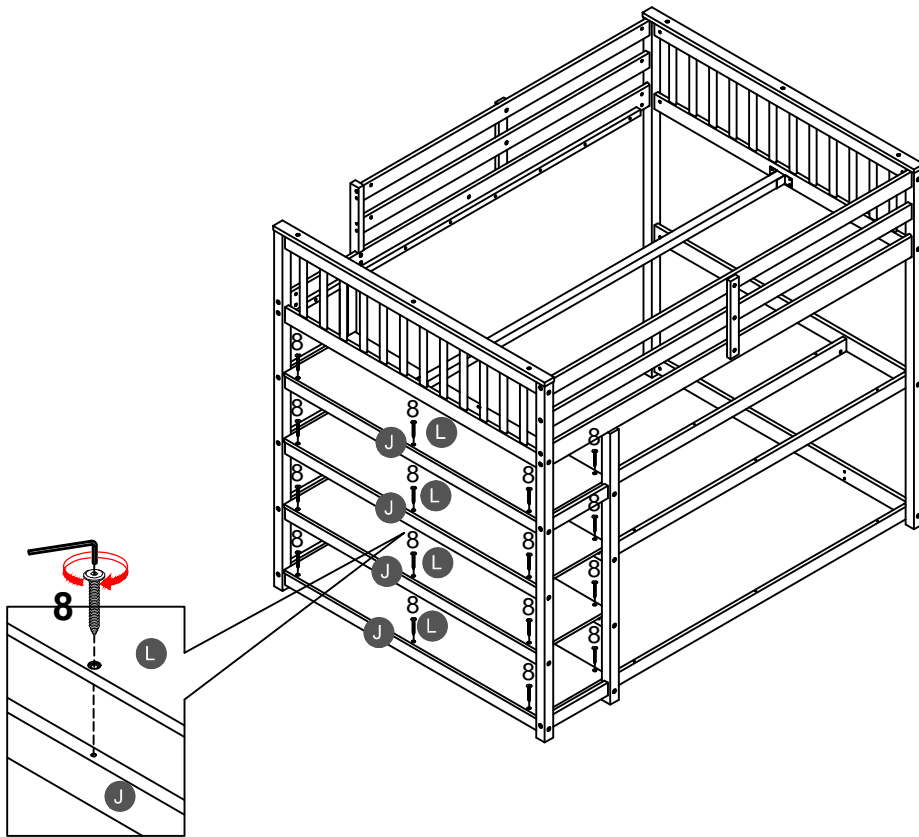


STEP 16:

8



24PCS

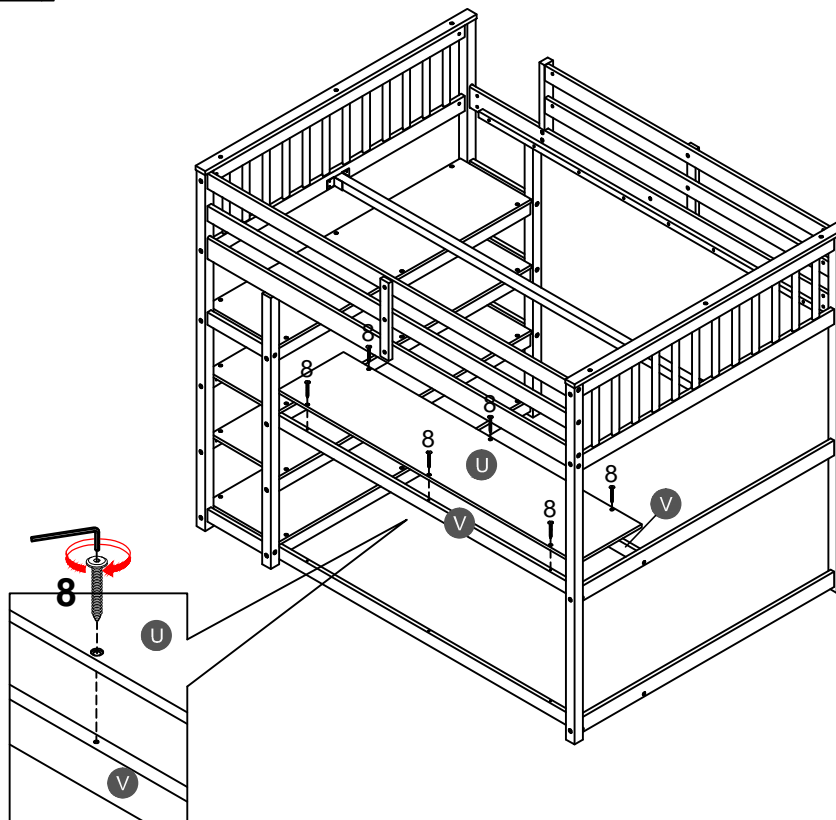


STEP 17:

8



6PCS

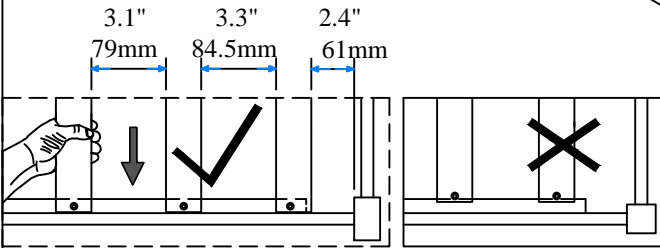
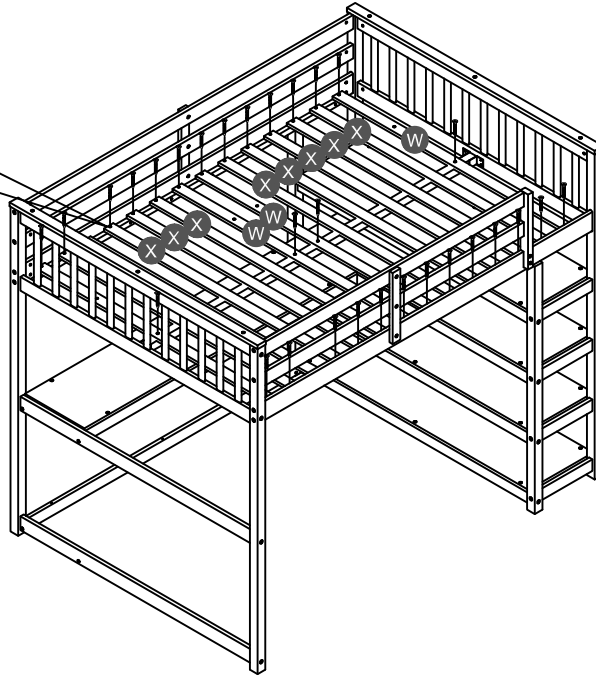
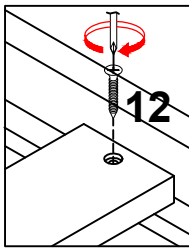


STEP 18:

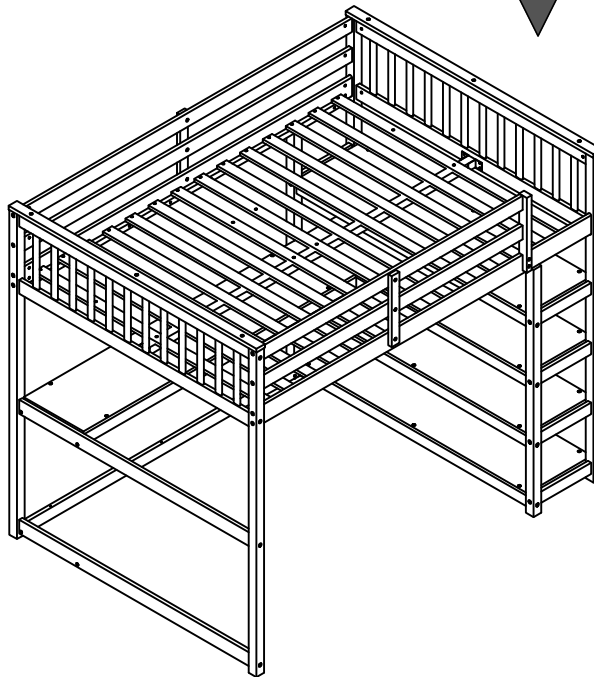
12



32PCS



Note: Do not lock the screws of the bed slats to the outermost edge of the bed slats, you need to leave a certain space at the edges, otherwise it will cause the board to break. Do not lock the bed slats on the edge of the wood, please hold firmly before screwing, hold it in place with one hand, then lock the screw.



Make sure to tighten all the screws of the bed.