

# RVB3056

## BATHROOM VESSEL SINK

**RUVATI**<sup>®</sup>  
SPECIFICATION SHEET

### MATERIAL

- **GLASS:**  
Thick solid construction for extreme durability.

### FEATURES

- **SMOOTH, GLAZED SURFACE:**  
Non-porous and resistant to scratching, chipping, or crazing.
- **SEASHELL SHAPE:**  
Ensures perfect water drainage and makes it easy to clean.



### COLOR

Seafoam Green

#### NOMINAL DIMENSIONS

Exterior: 18-1/2" (wide) x 13-1/2" (front-to-back)

Interior Bowl: 18" (wide) x 13" (front-to-back)

Bowl Depth: 6"

Drain Hole Size: 1 3/4"

Installation Type:

Vessel

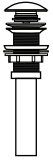
Drain Location:

Center

**RUVATI USA**  
www.ruvati.com

Phone: 1.855.478.8284  
Email: support@ruvati.com

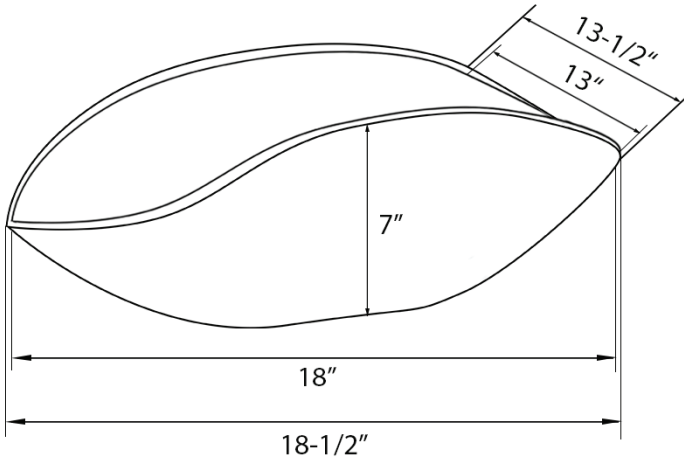
**SOLD SEPARATELY**



Popup Drain  
[RVA5102WH/CH]

---

**DIMENSIONS**



**SCAN TO REGISTER YOUR WARRANTY**

or visit  
[www.ruvati.com/register](http://www.ruvati.com/register)

**RUVATI USA**  
[www.ruvati.com](http://www.ruvati.com)

Phone: 1.855.478.8284  
Email: [support@ruvati.com](mailto:support@ruvati.com)