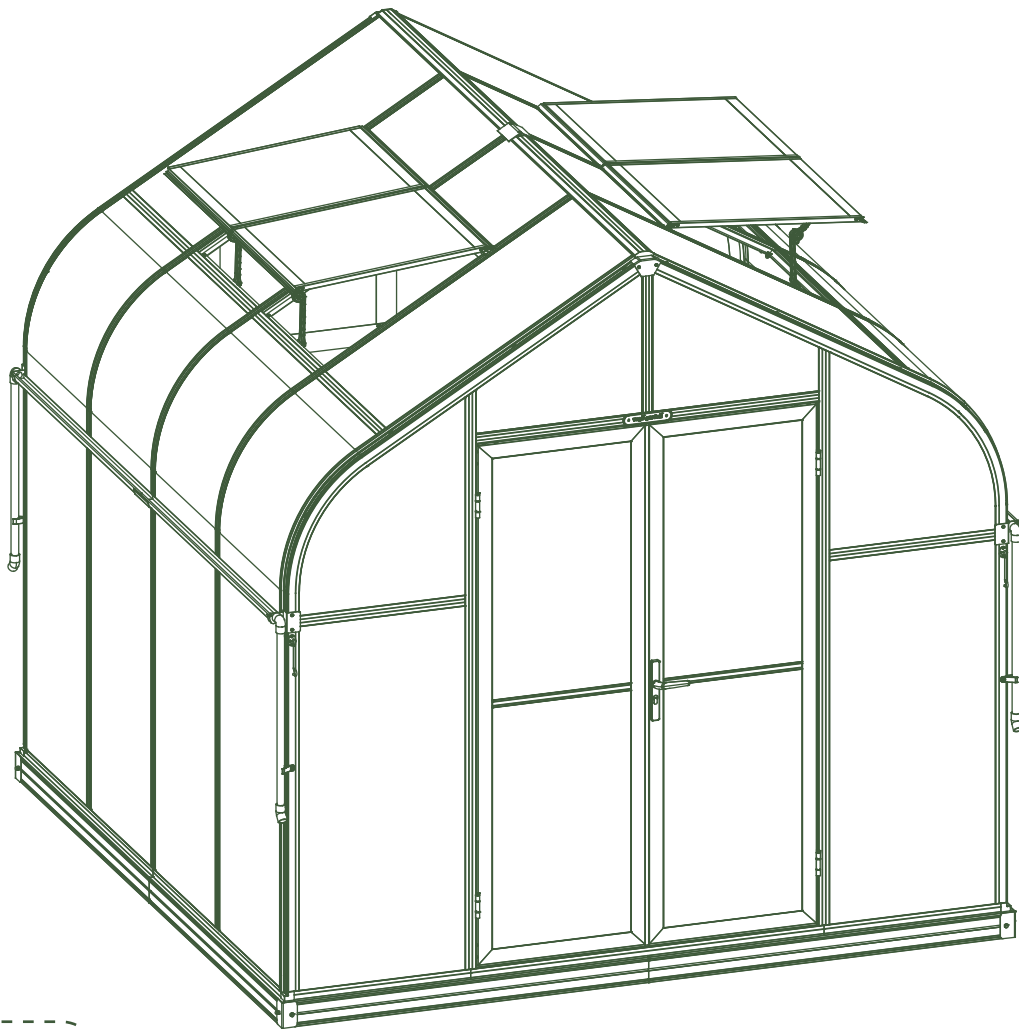




# Manual for Vego Pacific Greenhouse 8.5 X 8.5 ft.

Copyright © 2026 Vego



**Model:**  
VGH0808PCBK

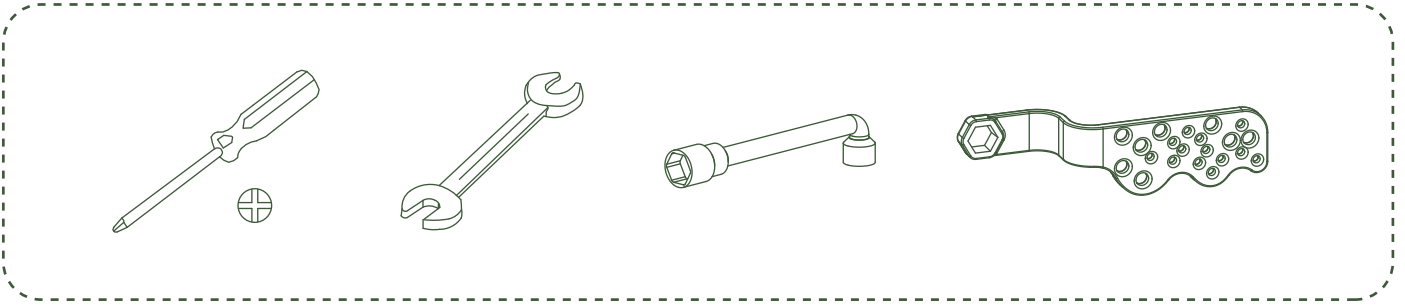
**Dimensions:**  
8.5' X 8.5' X 8.5' (H)

# STARTING POINTS

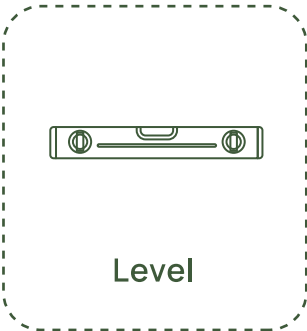
Tools & Packing Information	03
Safety Advice	05
Assembly & Maintenance	05
Foundation Assembly	07
Base Assembly	14
Wall Assembly	19
Roof Assembly	36
Vent Assembly	49
Door Assembly	57

# Tools & Packing Information

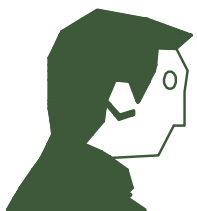
## ● Tools Provided



## ● Tools Required (Not Provided)



## ● 2+ Person Assembly



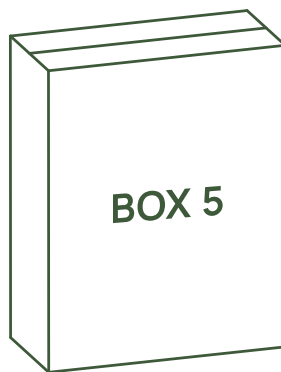
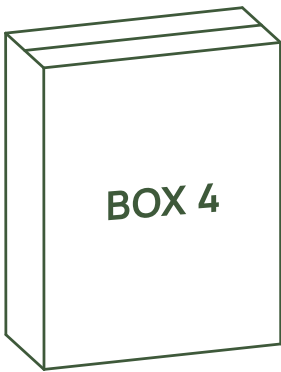
2+

## ● Packing Information

Aluminum Frame & Hardware:



Polycarbonate Panels:



Foundation Frame & Hardware:



Packing List:

Please refer to documents provided in the boxes.



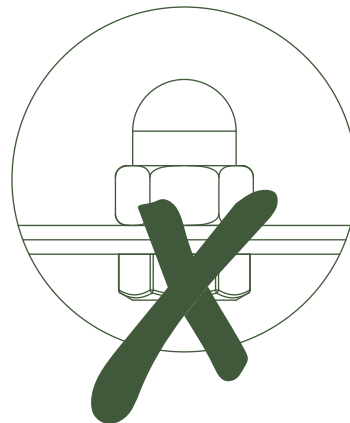
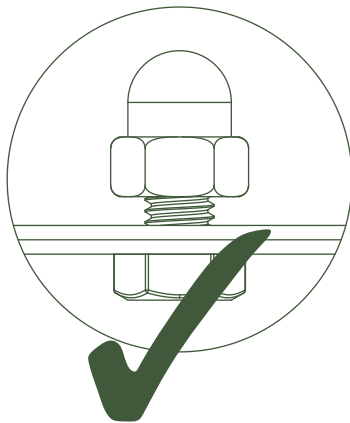
## Safety Advice

1. This product is designed to be used as a greenhouse.
2. It is important to assemble the product according to this manual, do not skip or modify any steps.
3. Wear gloves, shoes and safety glasses during assembling to avoid injury.
4. Do not climb or stand on the roof.
5. Keep children away from the assembly area.
6. Do not assemble the product in windy, wet or bad weather conditions.
7. Do not assemble the product under the influence of medication, alcohol or drugs.



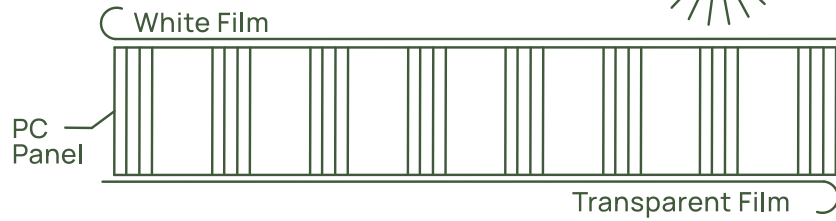
## Assembly & Maintenance

1. Place the parts on a soft surface to avoid scratches and damage.
2. Loosely tighten bolts as you assemble. After the greenhouse is built, and still loosely connected, tighten all bolts completely.

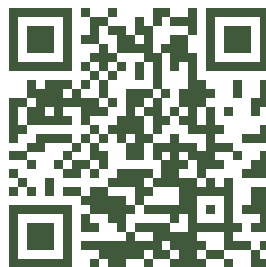
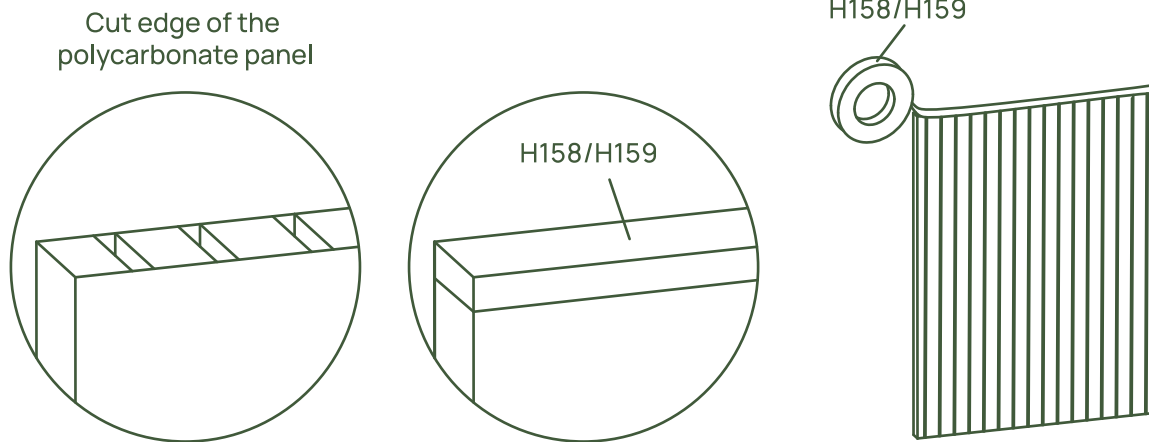


3. Keep the roof and gutters clear of snow, dirt and leaves in order to avoid damage to the product.
4. Clean the product with a mild soap and rinse with cold, clean water.
5. Do not use acetone, abrasive cleaners, or other special detergents to clean the product.
6. Remove the clear film prior to assembly. The white film indicates the UV-Protected side of the panels. Peel back the white film to expose only the edges (until the panels are in place) to ensure that the UV-Protected side is facing outwards in final assembly.

# POLYCARBONATE PANEL



7. Cover the two cut edges of the PC panels with the provided H158/159 tape before installation to seal the channels & prevent moisture from getting trapped inside.



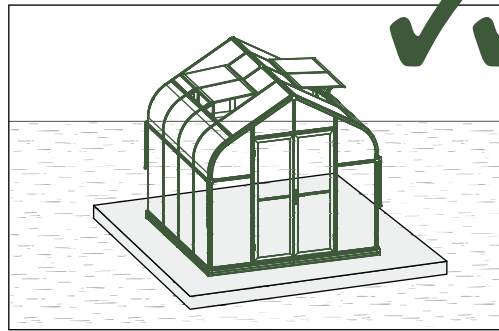
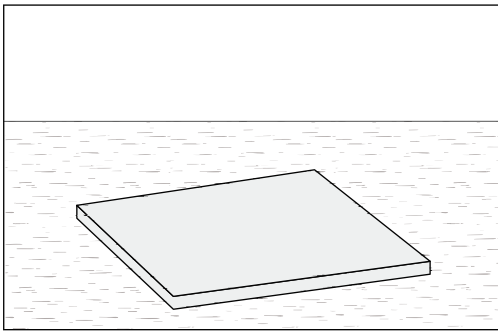
Scan the QR code above  
or visit [vegogarden.com](https://vegogarden.com) to learn more  
about your Vego Greenhouse Kit.

# Foundation Assembly

## STEP 01

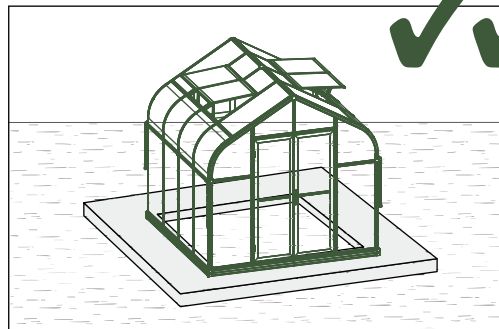
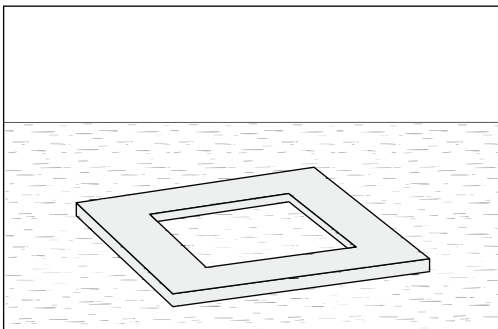
Choose a hard, level surface. Clean and position the greenhouse using a level to ensure it is flat. If the selected area is not level, clear and level the installation site first.

### ● Option 1: Solid foundation



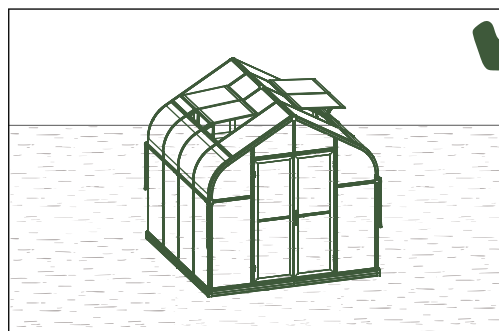
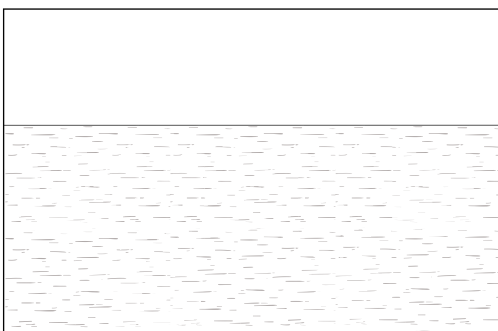
Preferred

### ● Option 2: Solid frame



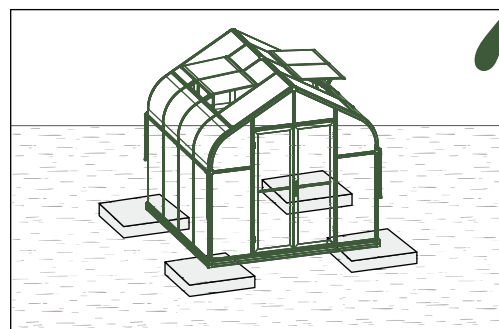
Preferred

### ● Option 3: Firm ground / grass



Possible







The size of the greenhouse displayed is for illustrative purposes only and may not reflect the size of your greenhouse.

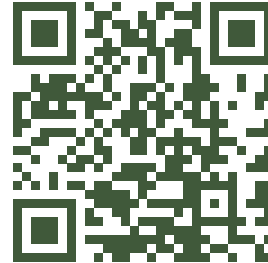


Not possible

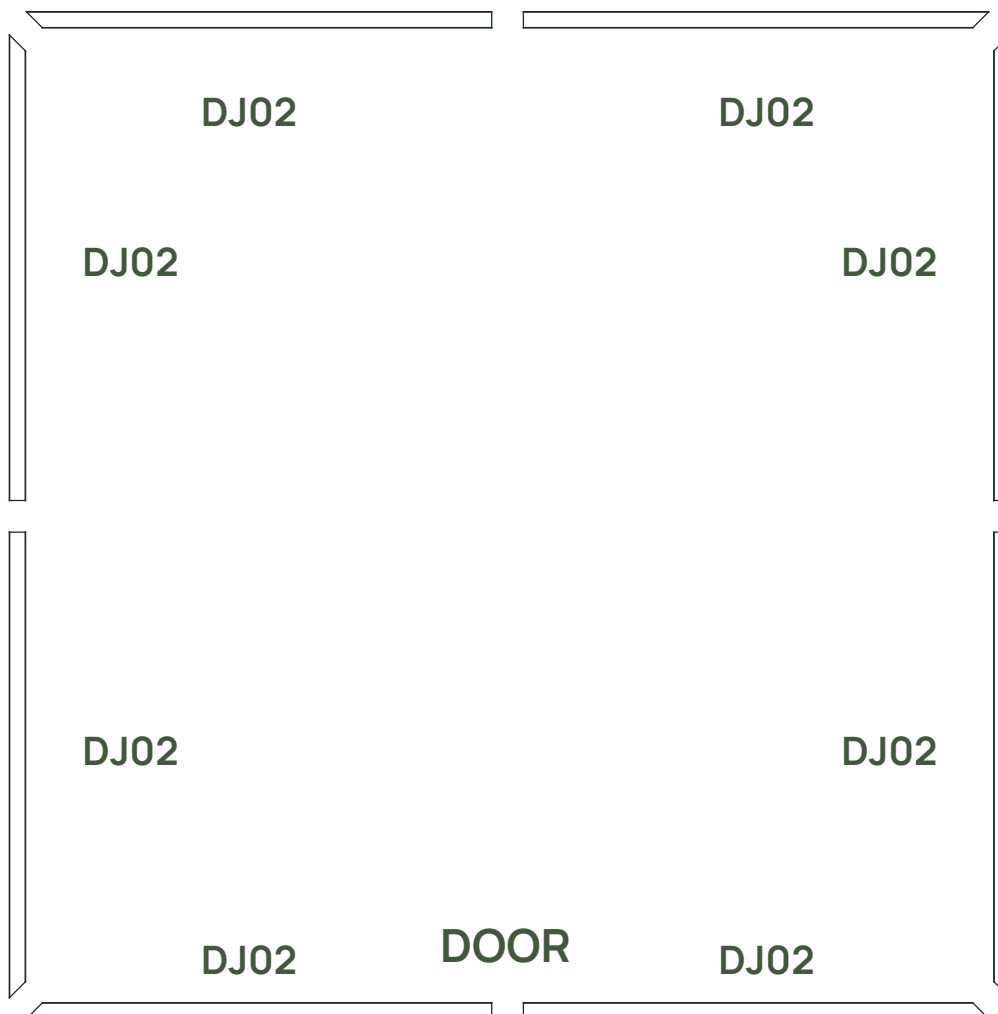
STEP  
**02**

Lay out the foundation pieces as diagrammed, using the door location as a reference.

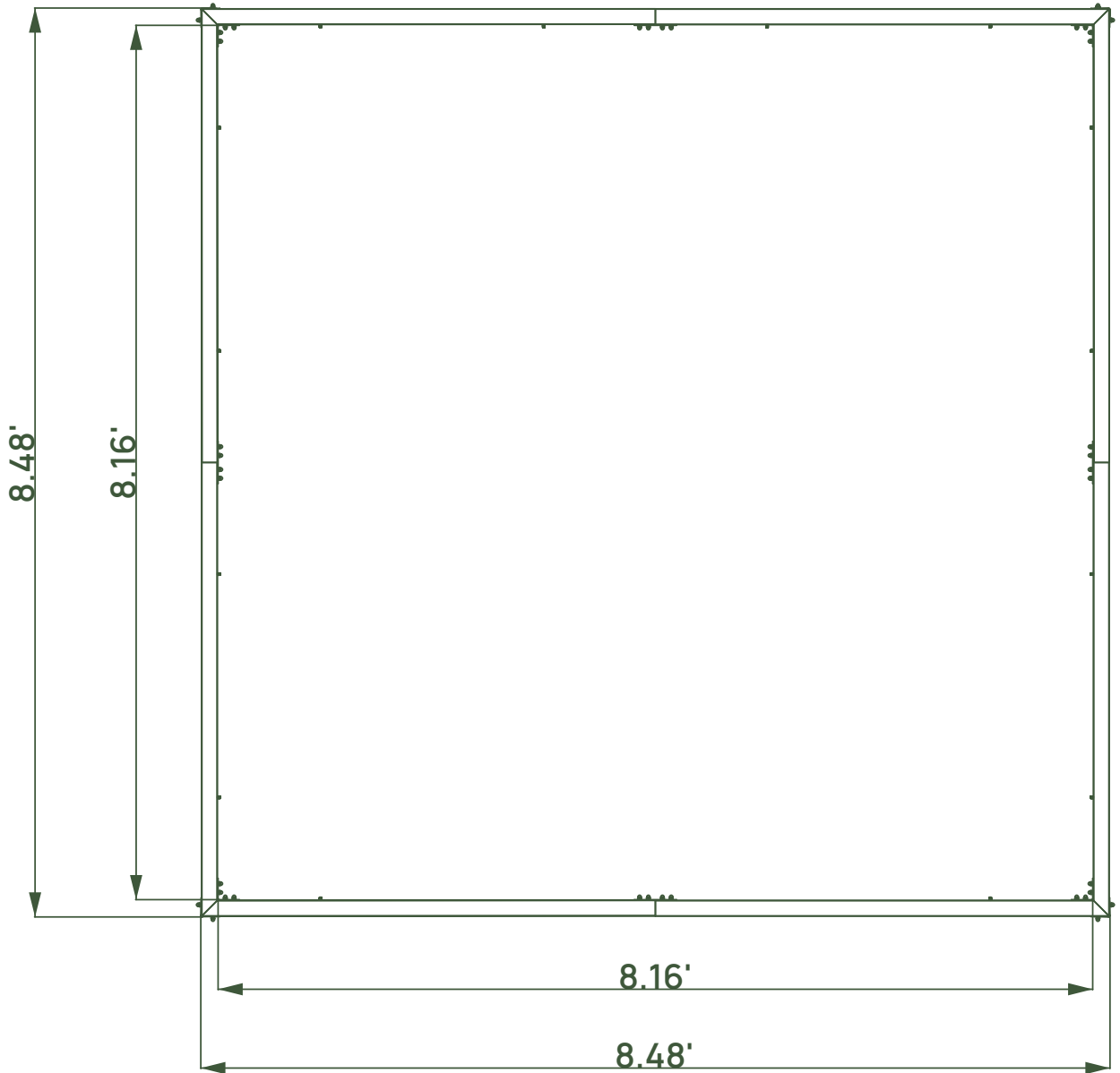
BOX	PART	NO.	QTY.
BOX 6	 1290mm	DJ02	8
BOX 6		D73	4
BOX 6		D74	4
BOX 6		D366	4
		S03A M6X10	58
		M24 M6	
		M24 M6	58



Scan the QR code above  
or visit [vegogarden.com](http://vegogarden.com) to learn more  
about your Vego Greenhouse Kit.

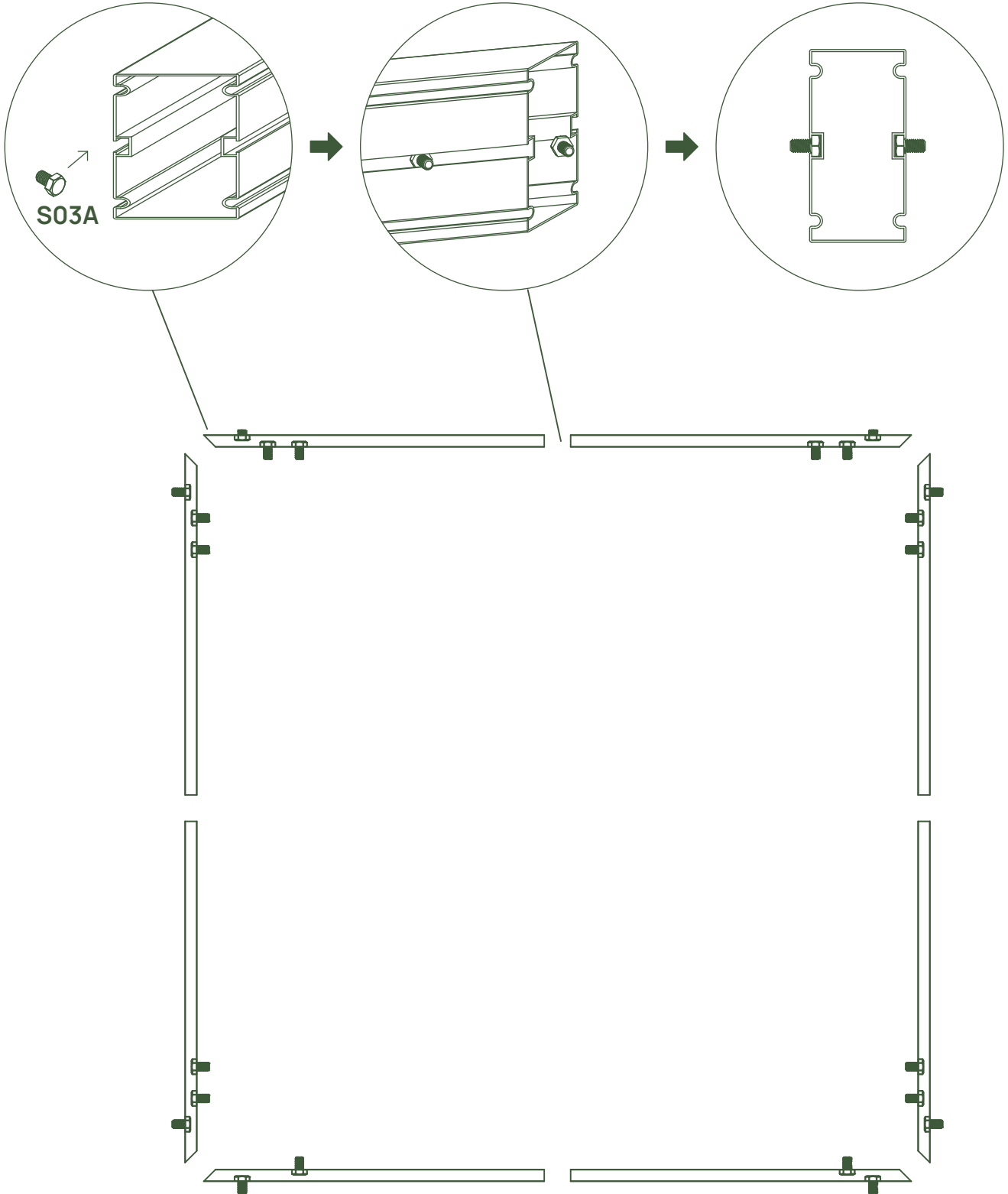


# Foundation Dimension



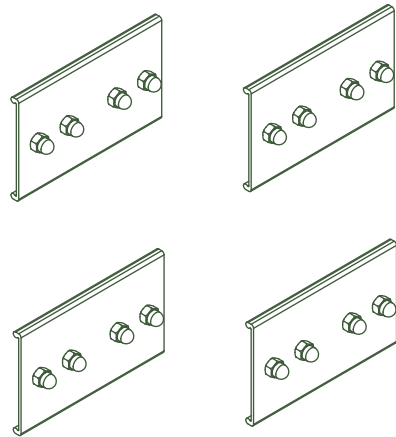
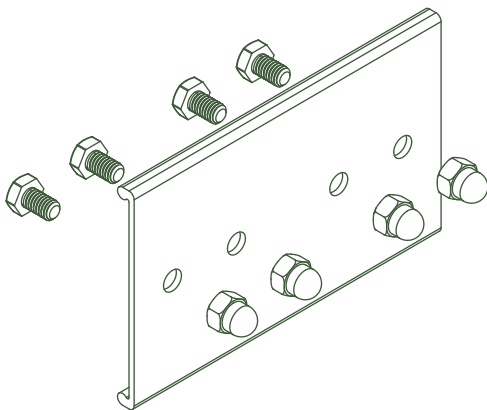
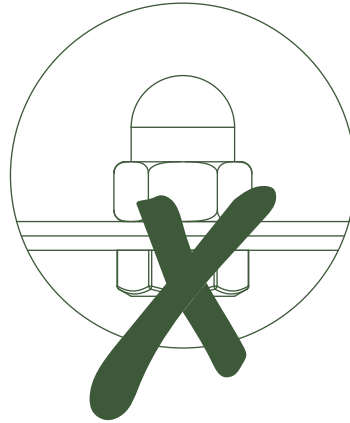
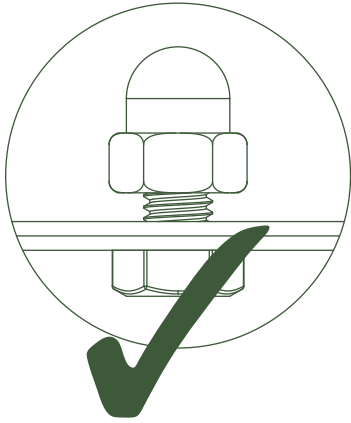
STEP  
**03**

Slide the heads of 22 S03A bolts in the grooves of the frame, on the inside and outside, as shown below. These will hold the outside connectors and anchor brackets.

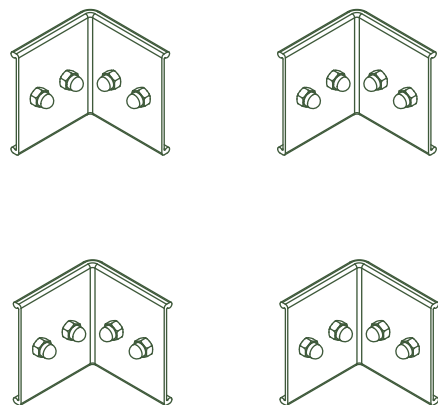
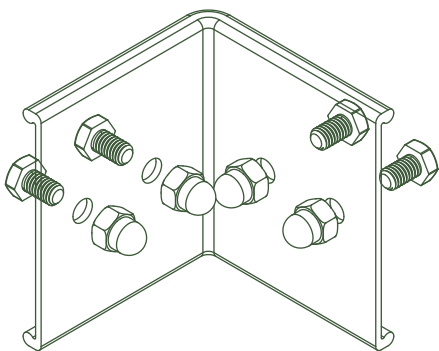


STEP  
**04**

Assemble 4 sets of Z1 and Z2 connection plates by loosely installing the bolts and cap nuts.



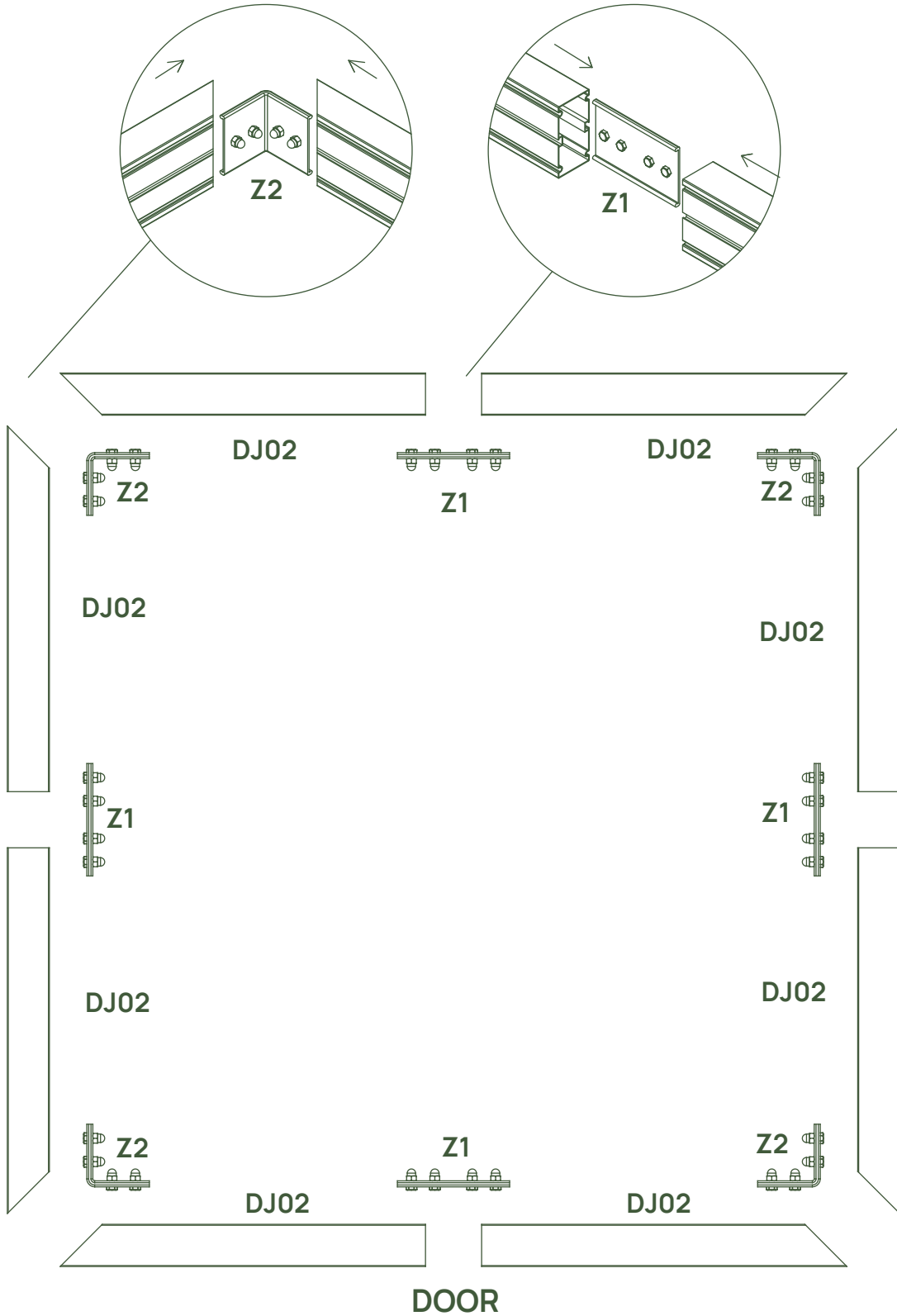
**Z1 X 4**



**Z2 X 4**

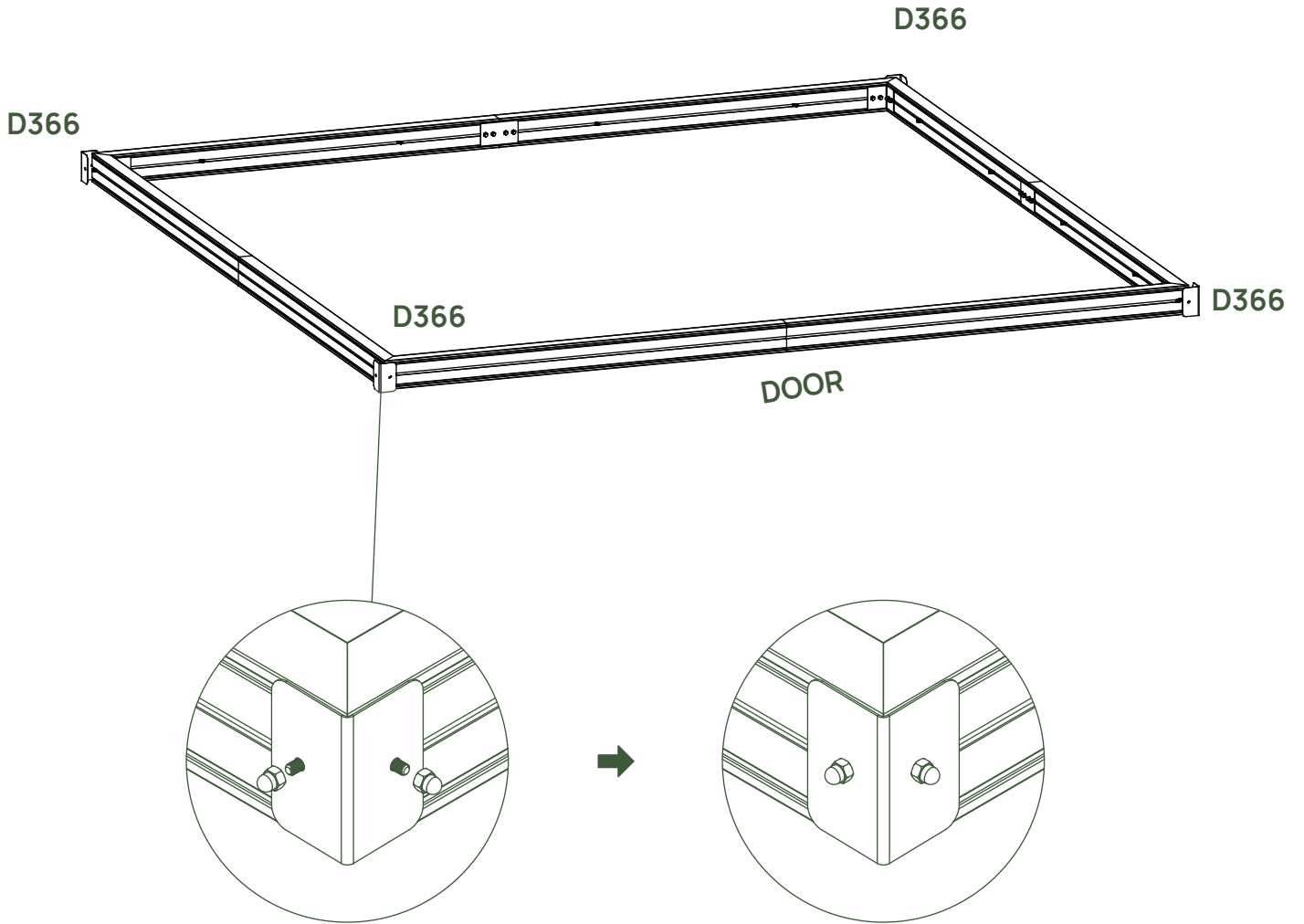
STEP  
**05**

Slide Z1 & Z2 in the grooves of foundation pieces to connect each section and tighten the bolts until the frame is flush and square.



STEP  
**06**

Connect the 4 corners with D366 L brackets using the pre-slid bolts and nuts.
















**Foundation Assembly completed.**

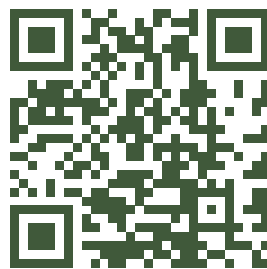


# Base Assembly

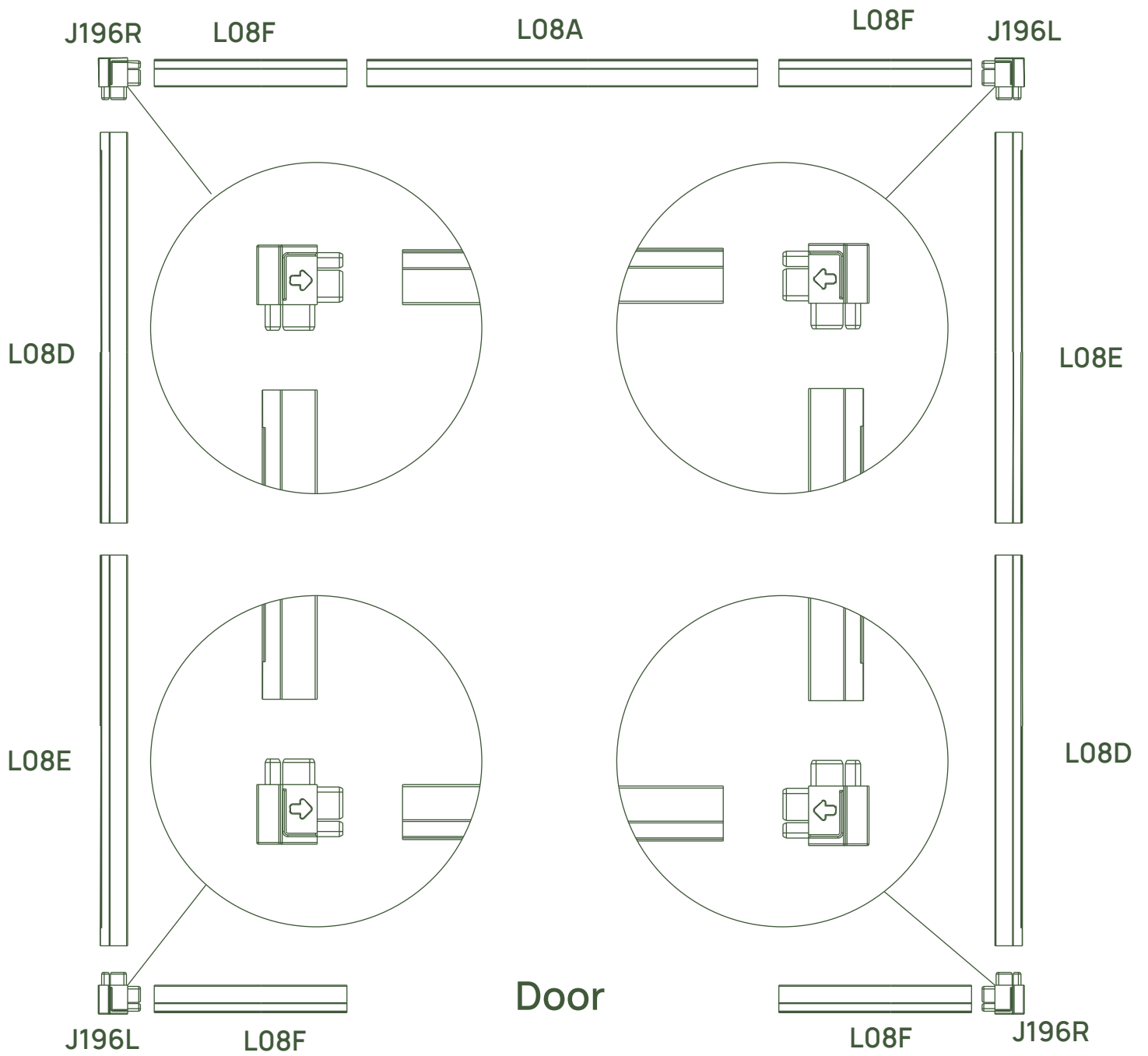
## STEP 01

Lay out the base frame pieces as shown in the diagram, **noting that there are two types of corner pieces.**

BOX	PART	NO	QTY
BOX 2		L08A	1
BOX 2		L08D	2
BOX 2		L08E	2
BOX 2		L08F	4
BOX 2		J196R	2
BOX 2		J196L	2
BOX 2		D75	14
BOX 2		D76	14
BOX 2		D22	14
		Z13A Ø5X40	14
		M24 M6	14
		S08 M8X60	14
		H79 Ø6.5X16X1.2	14

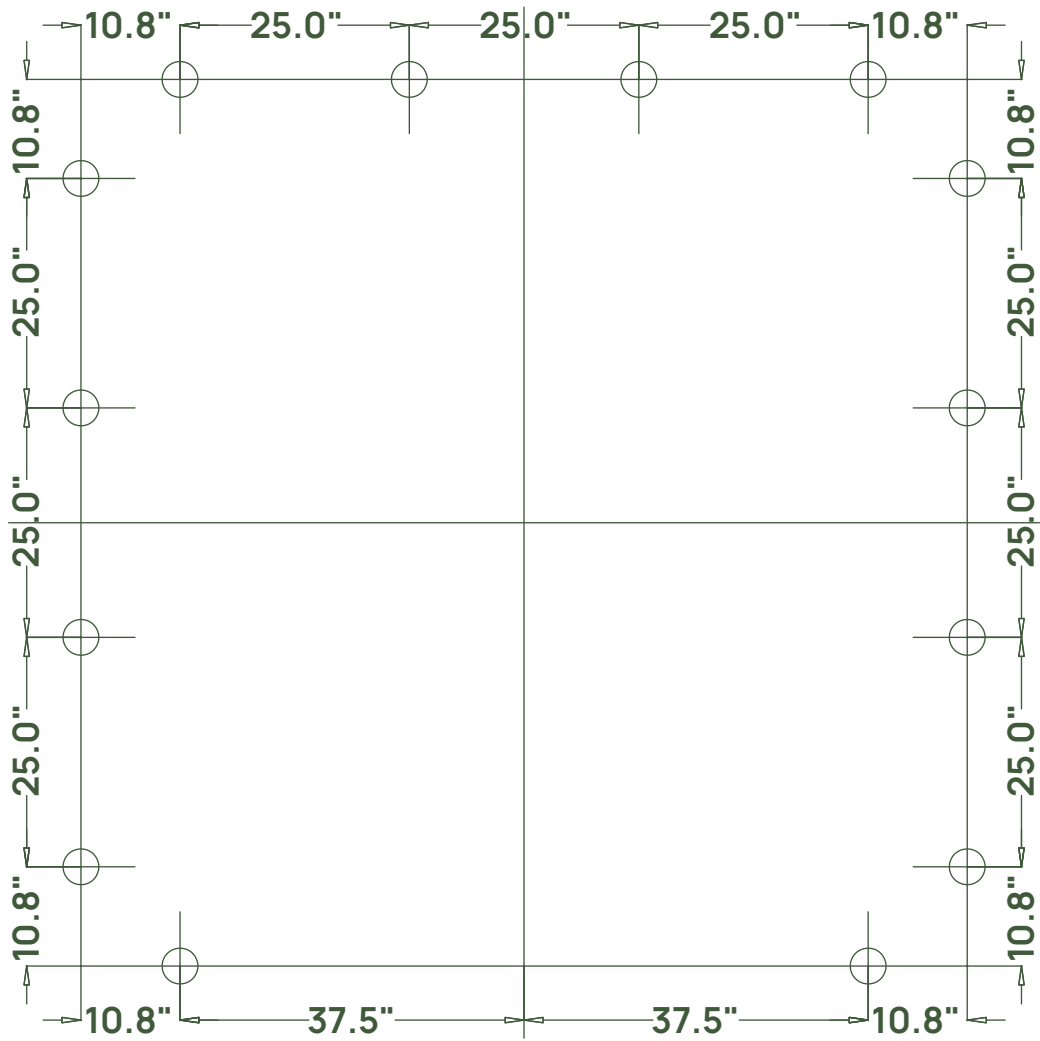


Scan the QR code above  
or visit [vegogarden.com](http://vegogarden.com) to learn more  
about your Vego Greenhouse Kit.



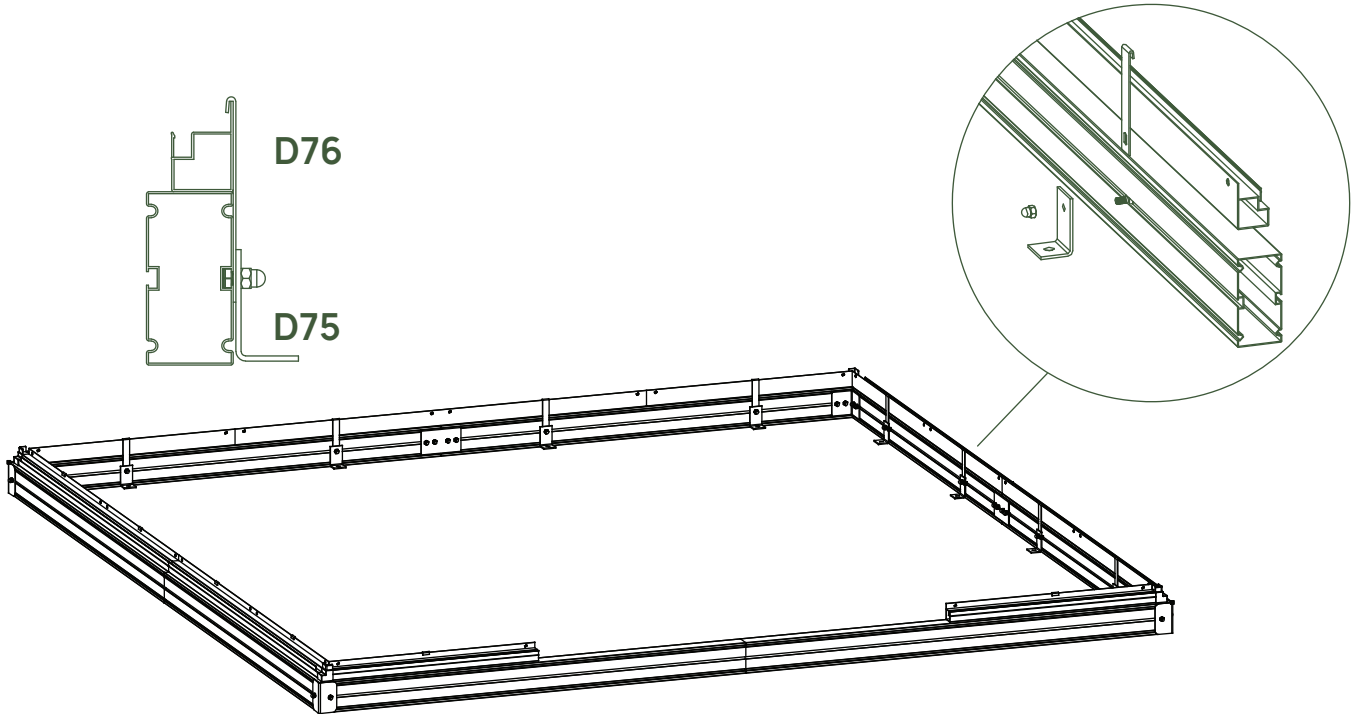
STEP  
**02**

Mark 14 anchor holes on ground per the template below.

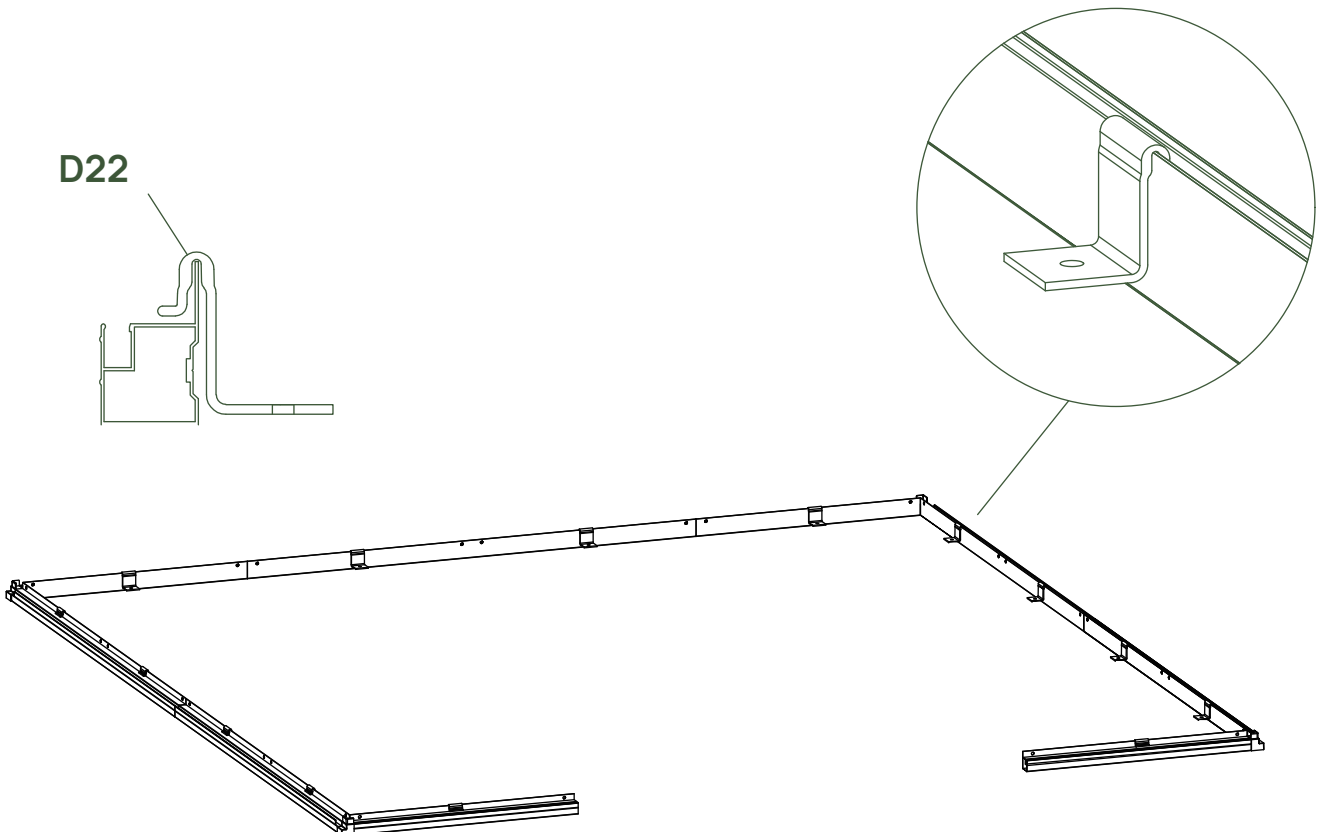


STEP  
**03**

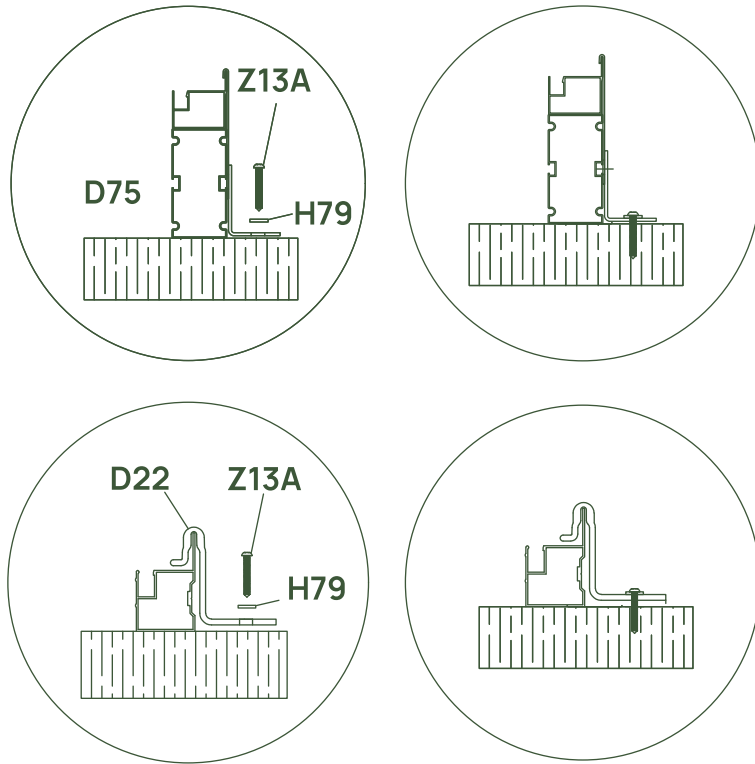
When connecting the base frame to the Vego Foundation Frame Kit, connect D75 and D76 brackets to the pre-slide S03A bolts, attach M24 nuts and slide the bracket assembly over the marked anchor holes.



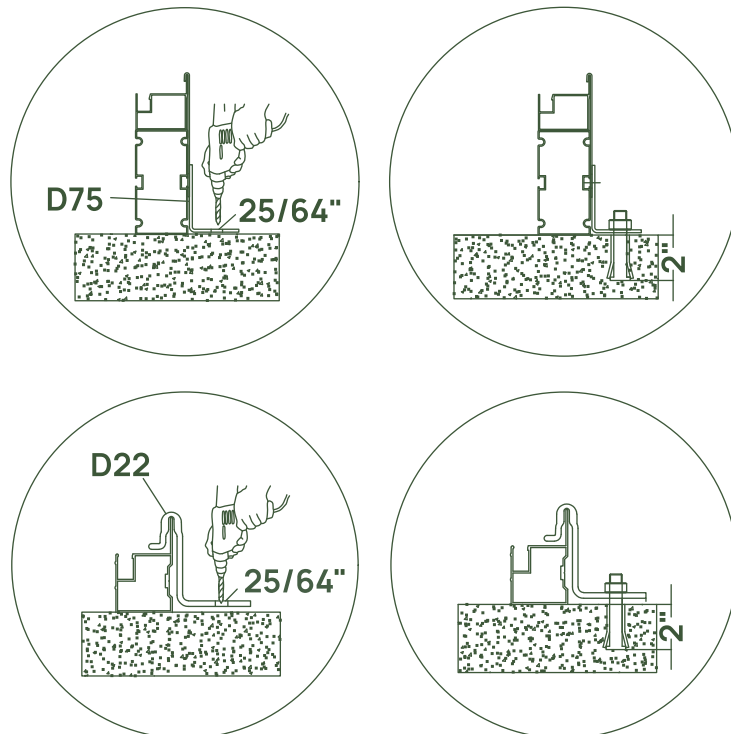
When connecting the base frame to your own foundation, use D22 bracket to affix it instead.



a. For wood surfaces, use Z13A wood screws and H79 washers to affix the base through the D75 or D22 bracket.



b. For cement surfaces, drill 16 holes at a 2" depth with a hammer drill and 25/64" drill bit. Insert S08 anchors into the holes, and attach D75 or D22 brackets using the included nuts.













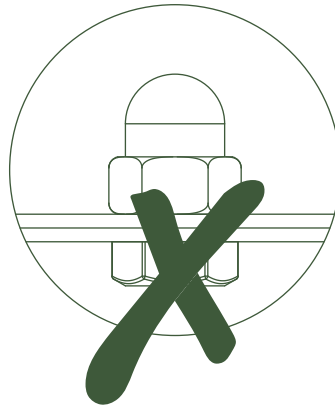
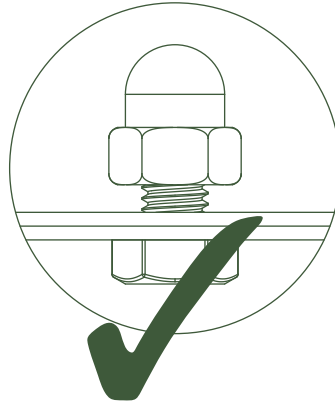
c. For firm ground installation, purchase heavy duty landscape stakes, at least 12", to drive through the anchors into the soil.

# Wall Assembly

## STEP 01

Starting to the left of the door position, begin the vertical frame assembly. Loosely attach all bolts and nuts, tightening after wall frame assembly is complete.

BOX	PART	NO	QTY
BOX 3		L01A	1
BOX 3		L01B	1
BOX 3		L01E	1
BOX 3		L01F	1
BOX 3		L02A	8
BOX 1		L03C	1
BOX 1		L03D	1
BOX 3		L03G	1
		S03A M6X10	26
		M24 M6	26

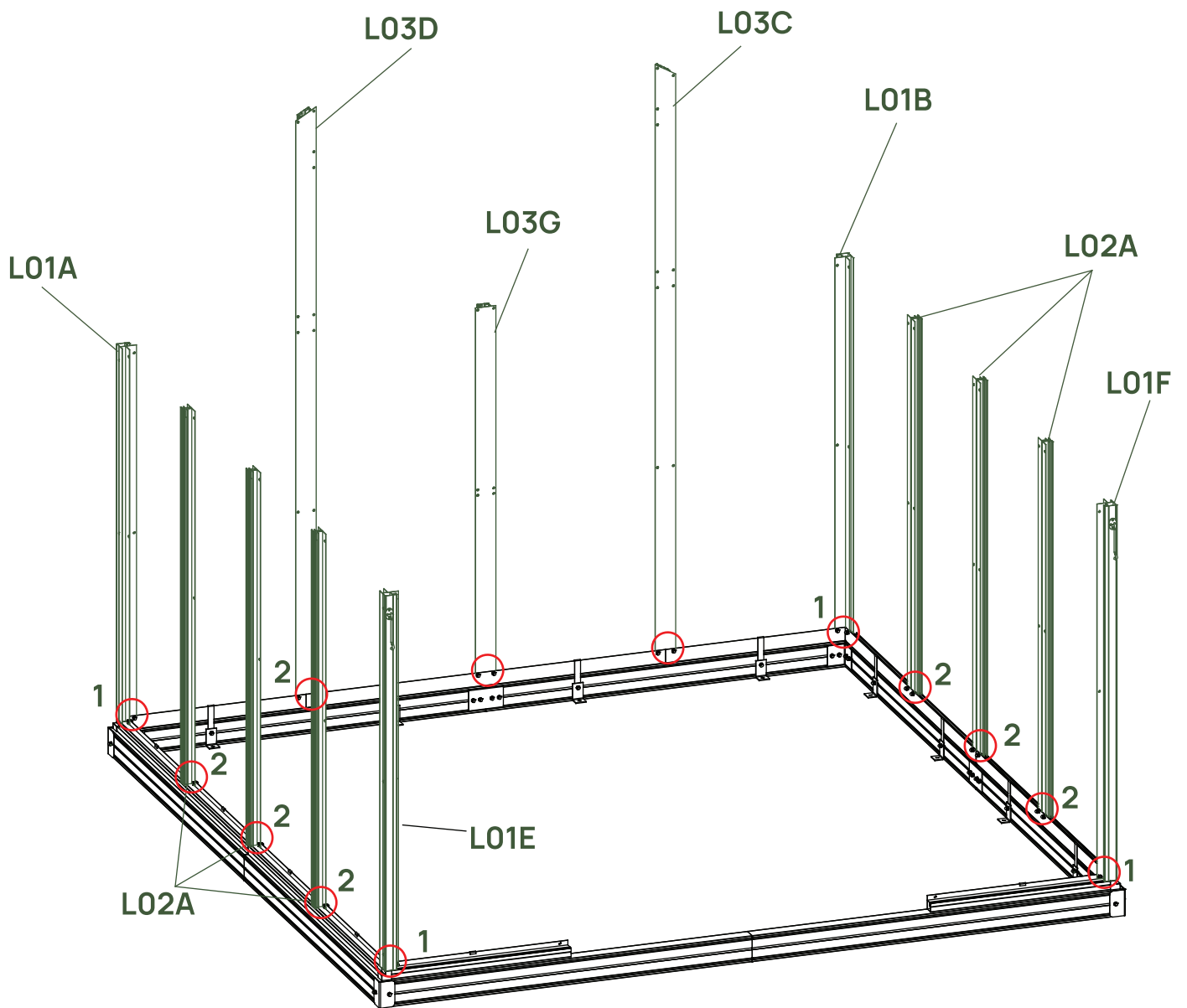


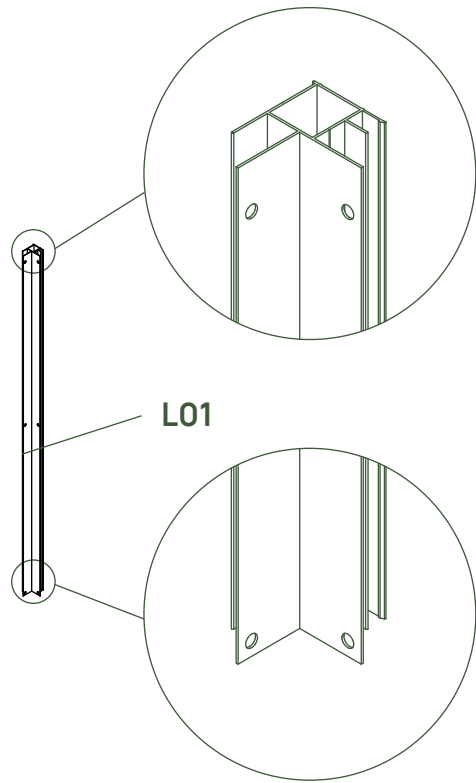
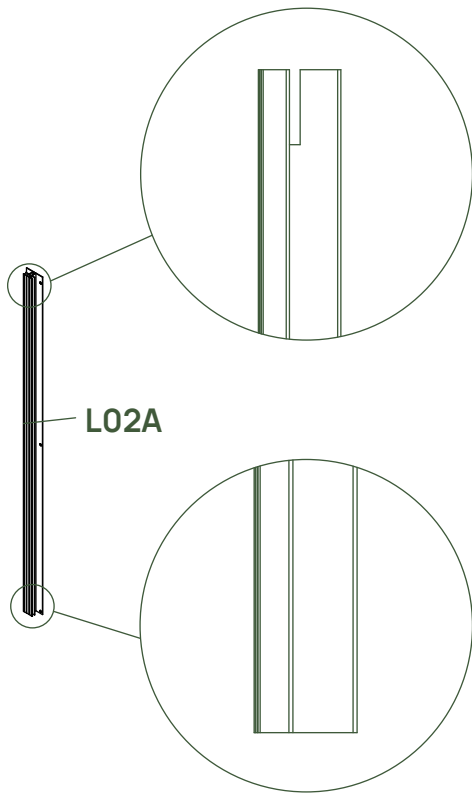
Scan the QR code above  
or visit [vegogarden.com](http://vegogarden.com) to learn more  
about your Vego Greenhouse Kit.

**Note:**

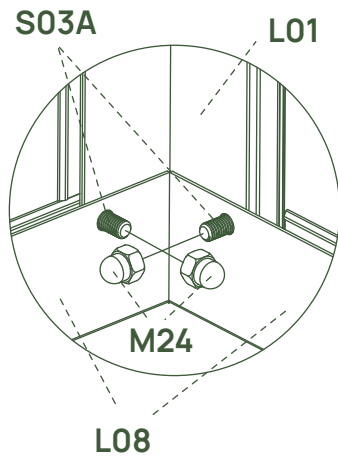
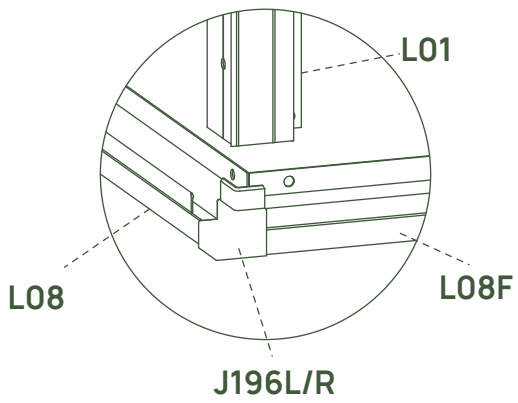
**For L02A frame:** the cut ends face upward.

**For L01A,B,E,F frames:** the ends with holes drilled further from the edge face upward.



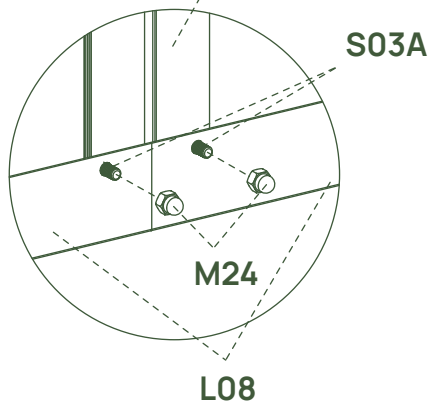


1






2

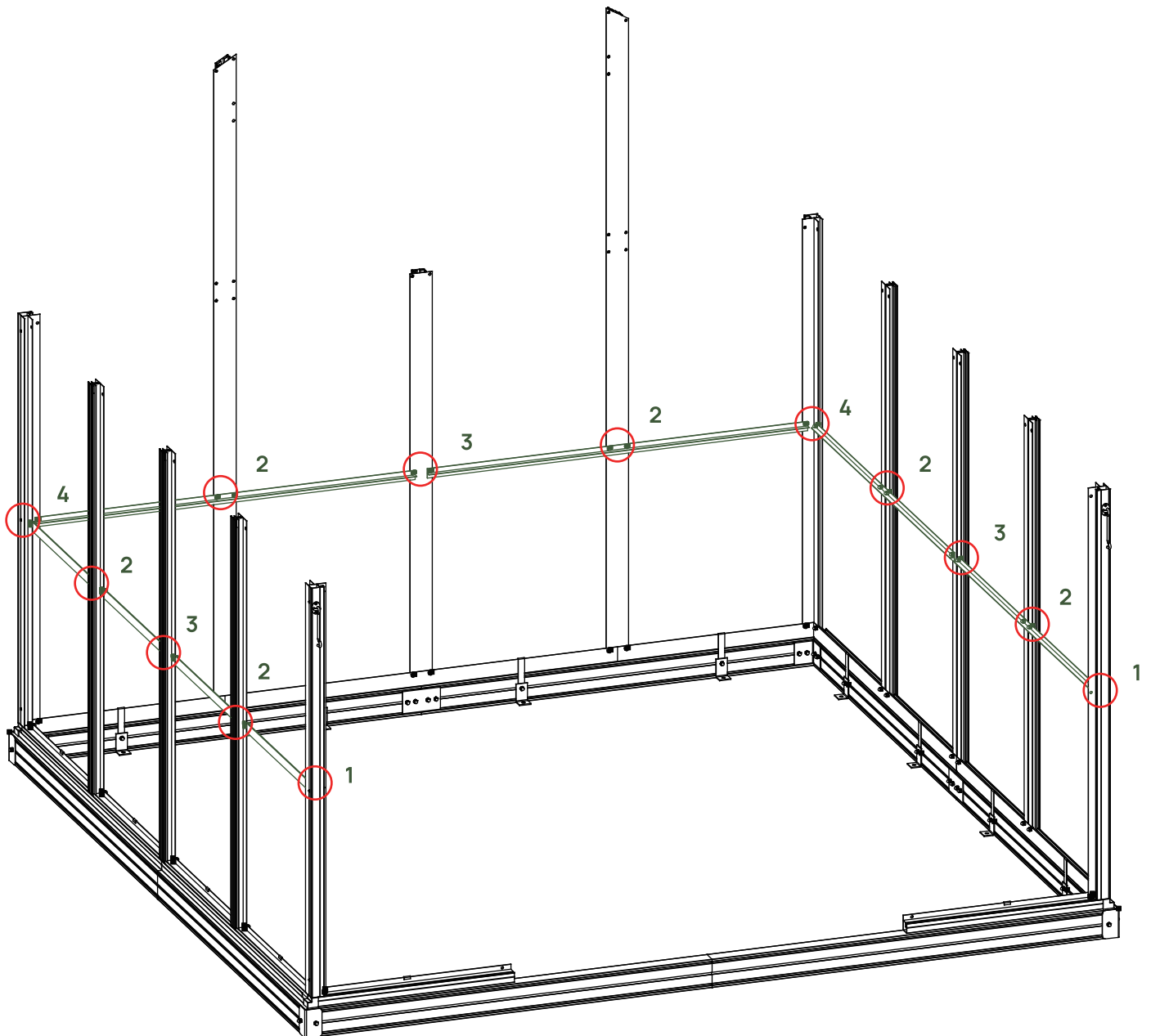
L02A/L03C/L03D/L03G



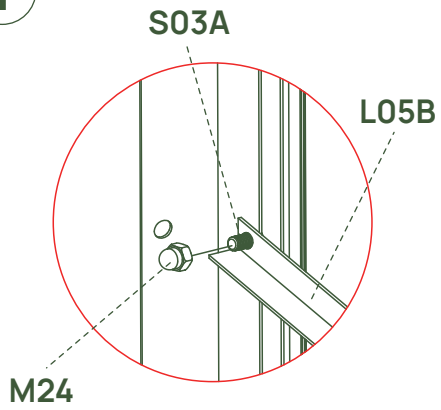
STEP  
**02**

Attach a vertical frame piece, followed by a horizontal piece, moving around the greenhouse clockwise. It is important for structural stability during assembly to attach horizontal braces after each vertical component. Cap nuts always face inside.

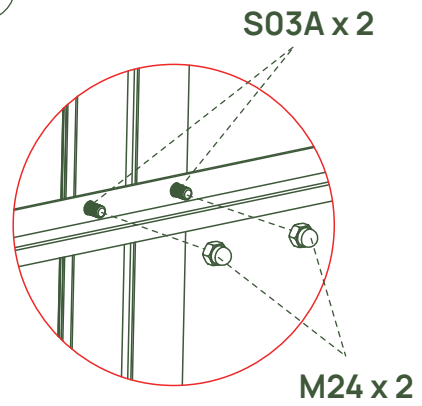
BOX	PART	NO	QTY
BOX 1		L05A	6
		S03A M6X10	16
		M24 M6	16



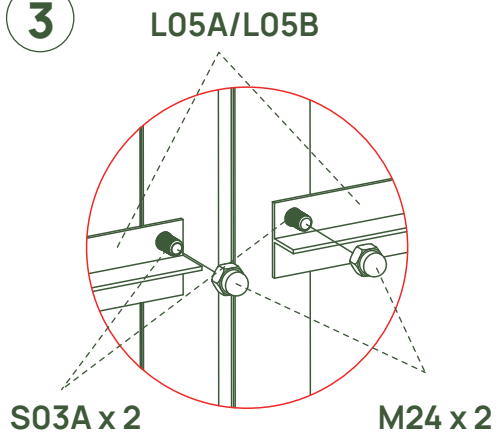
1



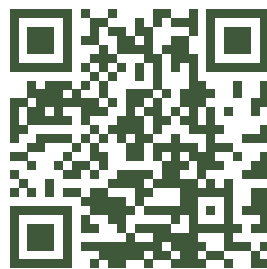
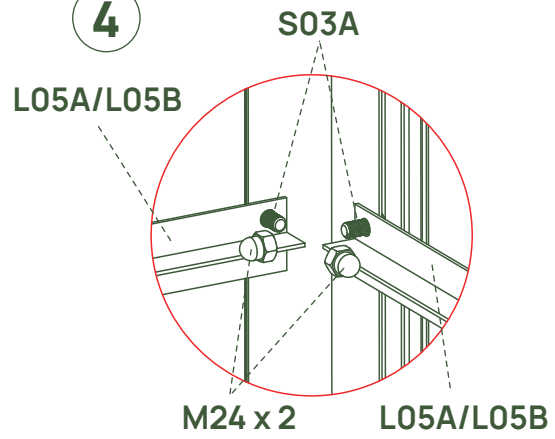
2



3



4



Scan the QR code above  
or visit [vegogarden.com](http://vegogarden.com) to learn more  
about your Vego Greenhouse Kit.










# 03 Door Frame Assembly

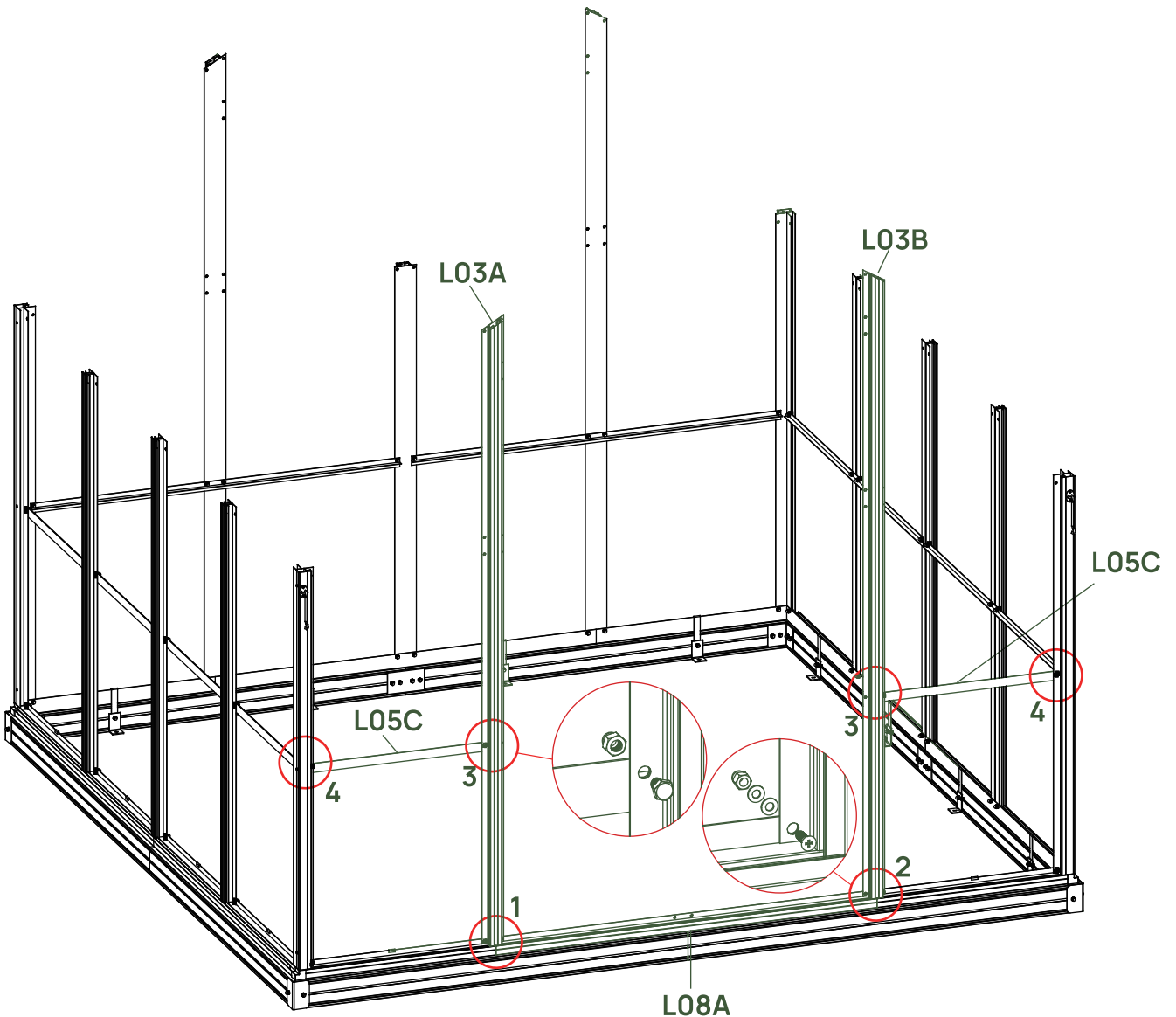
**Note:** Specific bolts and nuts are required to complete the installation, as shown in the diagram.

For L08A, S27A flat head bolts and M31 nuts are used to secure the interior side of the door frame.

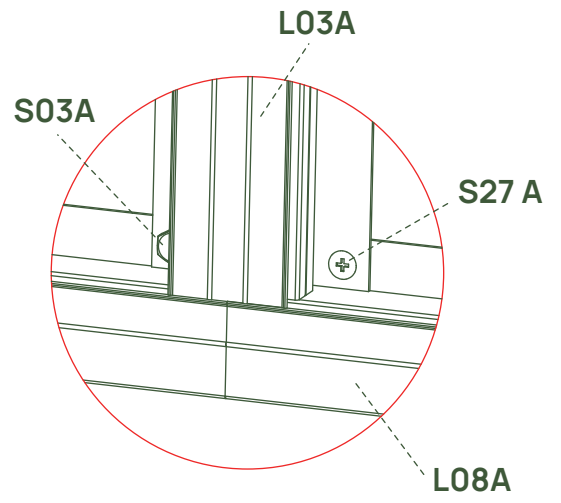
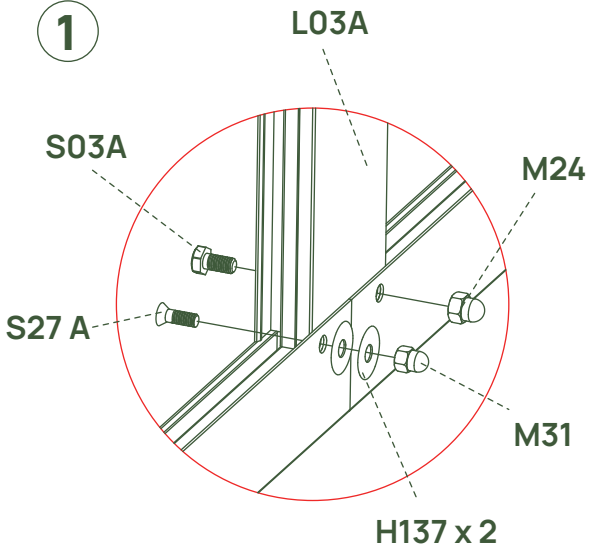
S03A hex head bolts and M24 nuts are used for the external side of the door frame.

For L03A/B, use S03A hex head bolts and M24 nuts to secure in place.

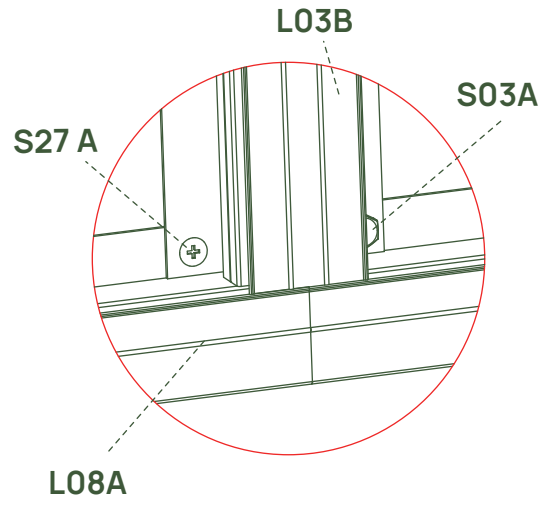
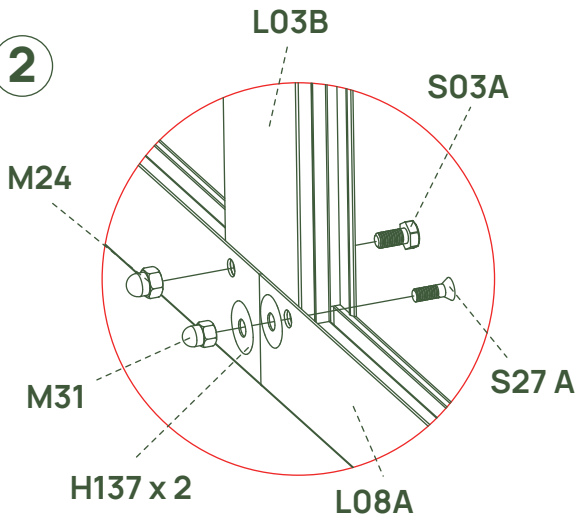
BOX	PART	NO	QTY
BOX 1		L03A	1
BOX 1		L03B	1
BOX 2		L05C	2
BOX 2		L08A	1
		S03A M6X10	24
		M24 M6	24
		S27A M5X12	2
		M31 M5	2
		H137	4



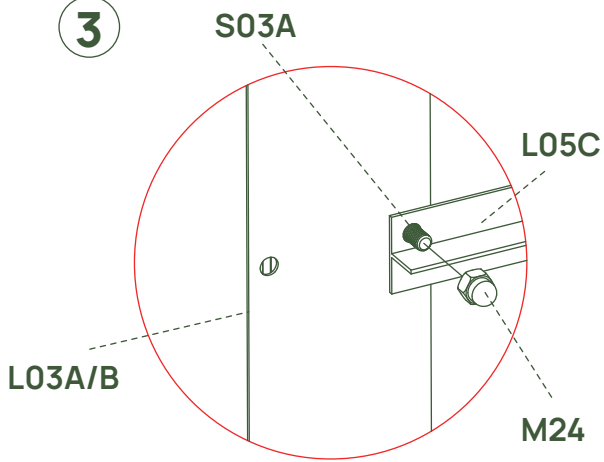
1



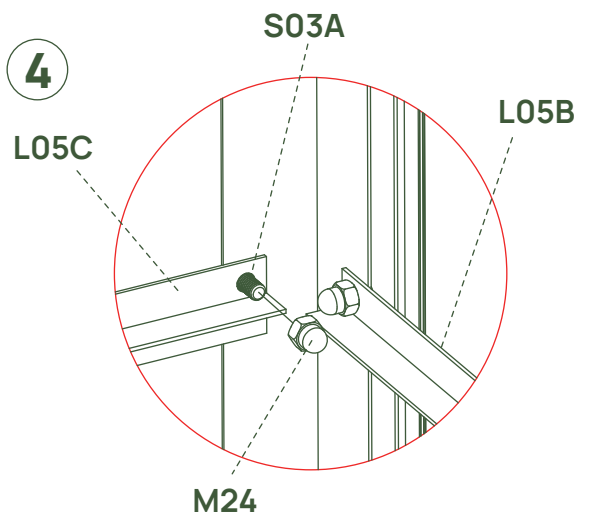
2



3








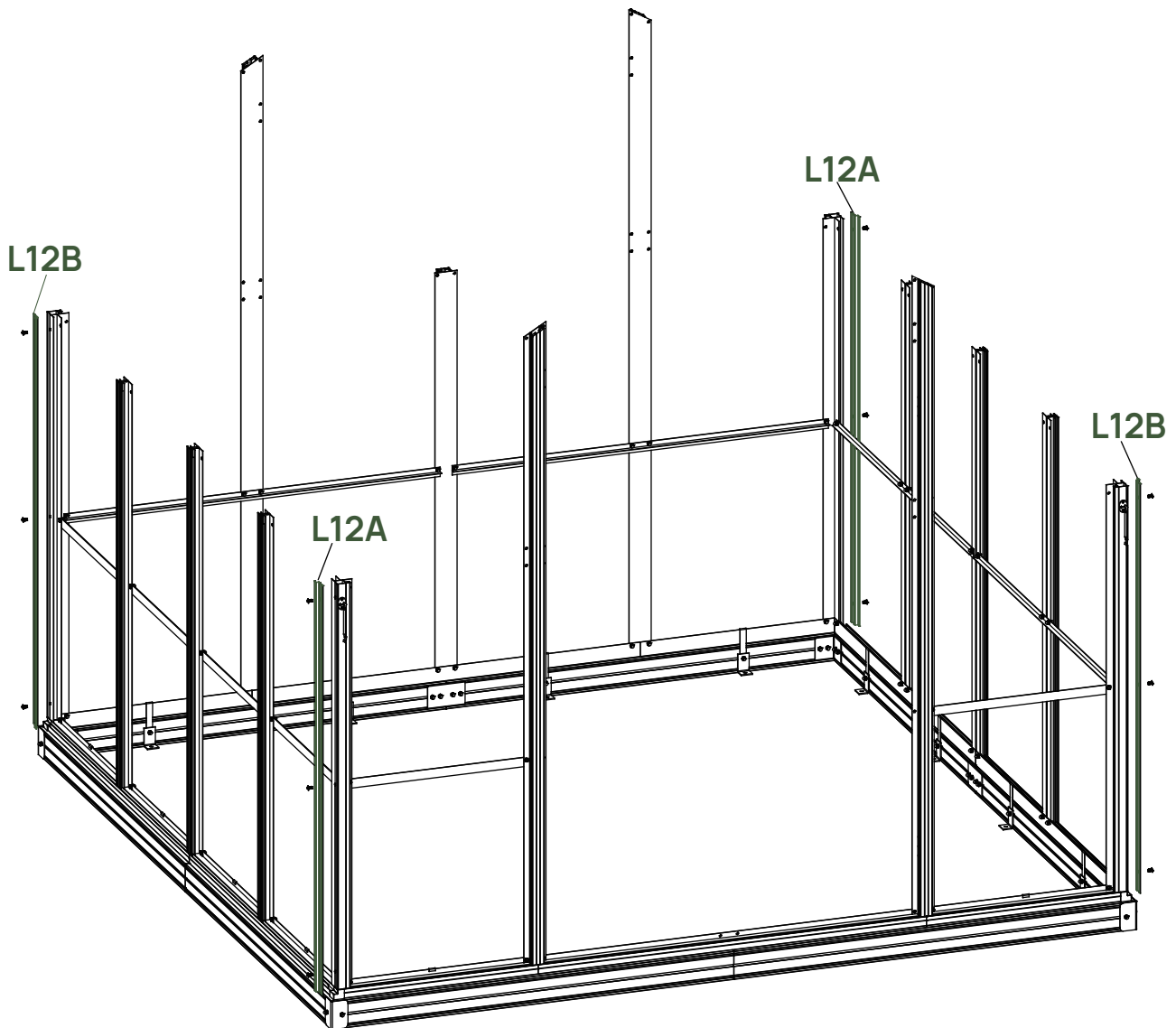
4

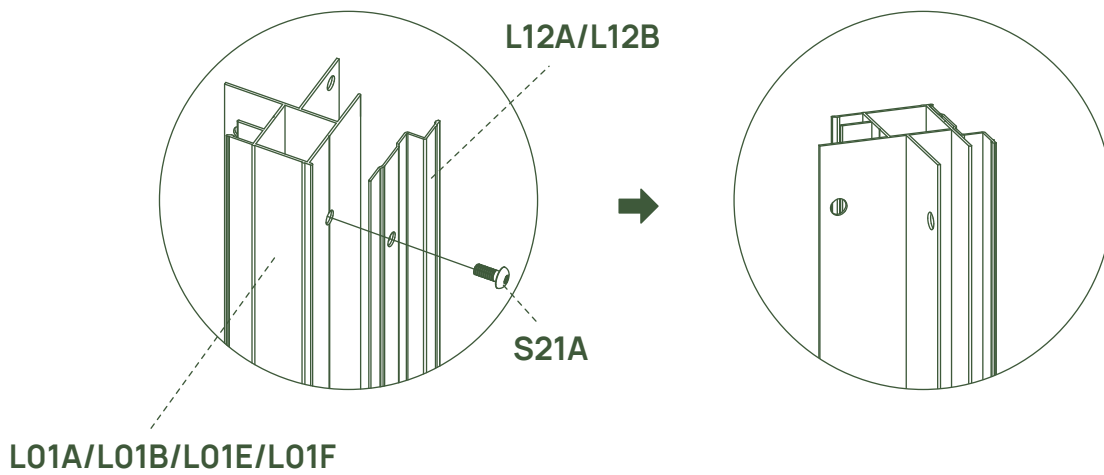
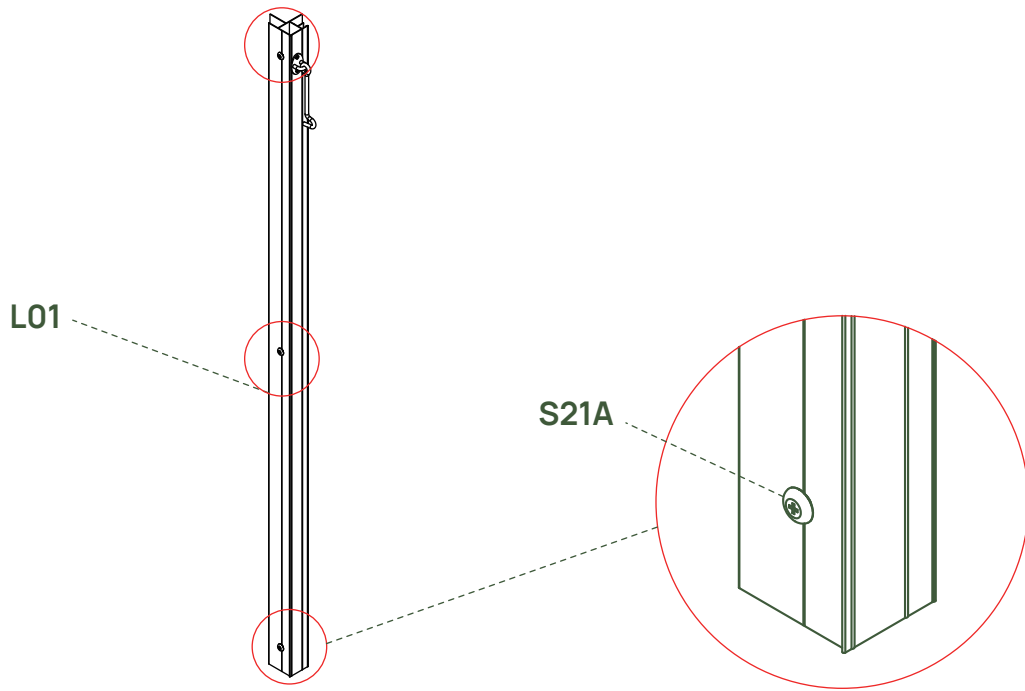


STEP  
**04** Outer Corner Frame Attachment

Attach the L12A/B pieces to the corners as shown below, using the pre-installed S21A bolts, to create channels that will hold the PC panels in place. Remove the S21A bolts prior to attachment.

BOX	PART	NO	QTY
		S21A M5X12	12
BOX 3		L12A	2
BOX 3		L12B	2
BOX 4		Y5	14
		H158 20M	1



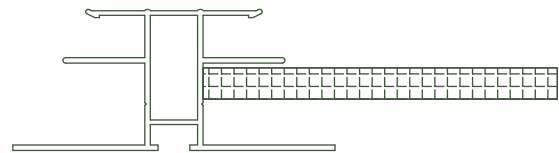
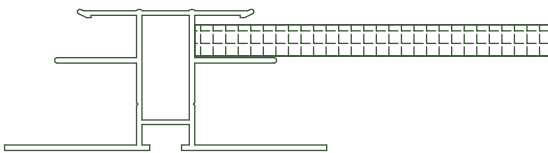
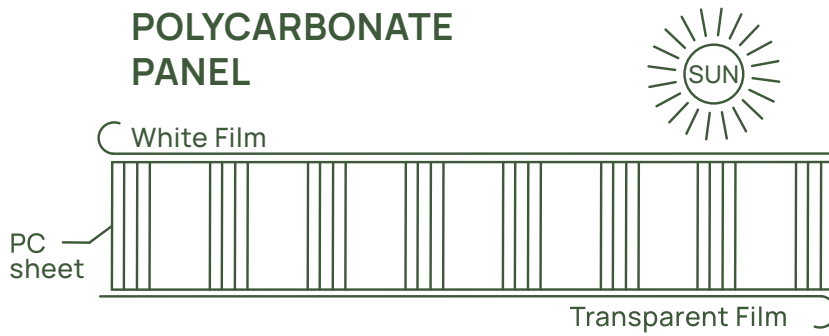


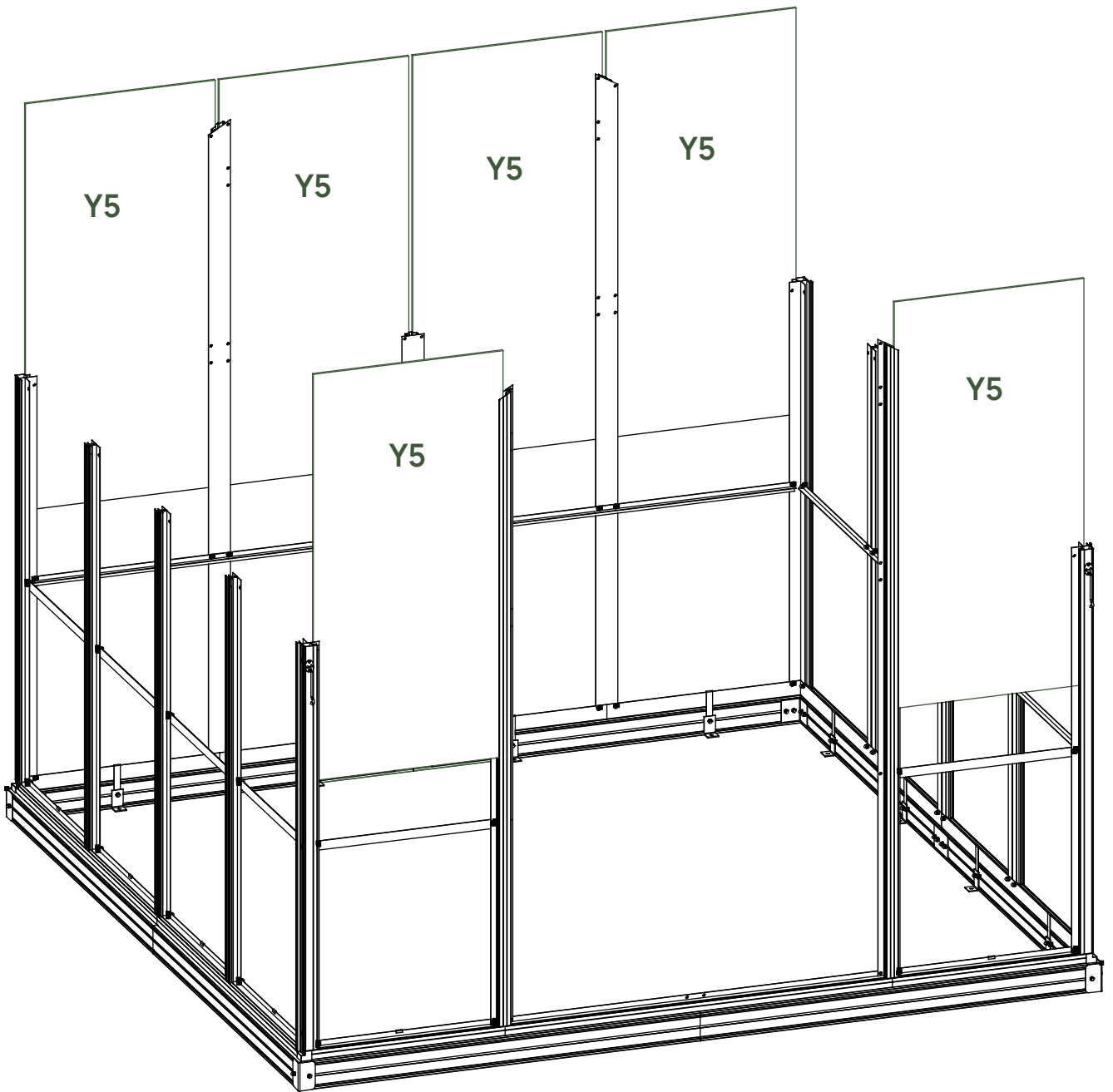
Scan the QR code above  
or visit [vegogarden.com](http://vegogarden.com) to learn more  
about your Vego Greenhouse Kit.

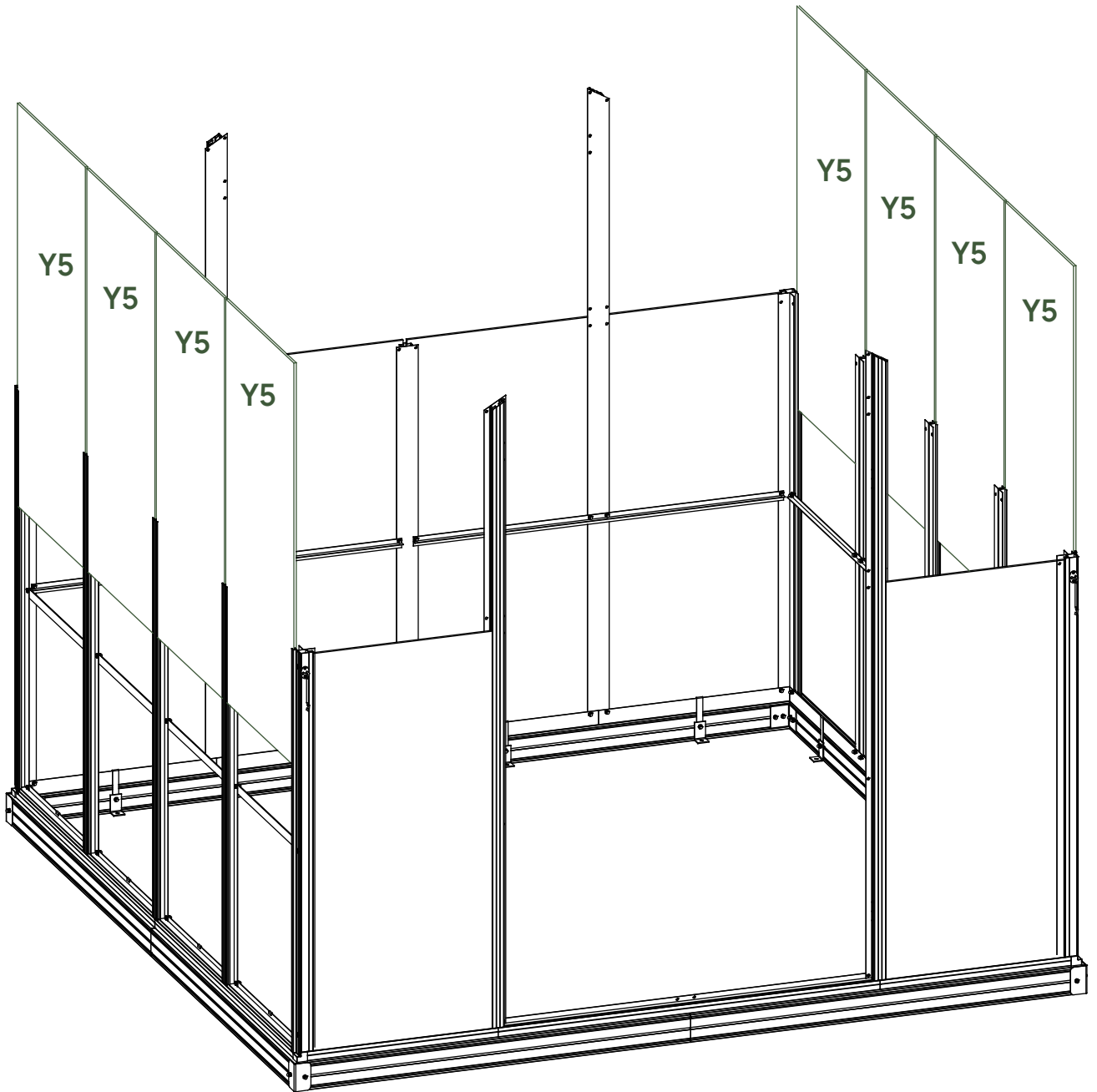
STEP  
**05** PC Wall Panel Assembly

**Note:** The white film indicates the UV-protected side of the panels. We recommend waiting to remove the white film until you have placed the panels in the frame, to ensure that the UV side is facing outwards.

Insert panels in the grooves as shown in the diagram below, ensuring the UV side of the panels are facing outwards.





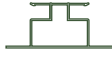









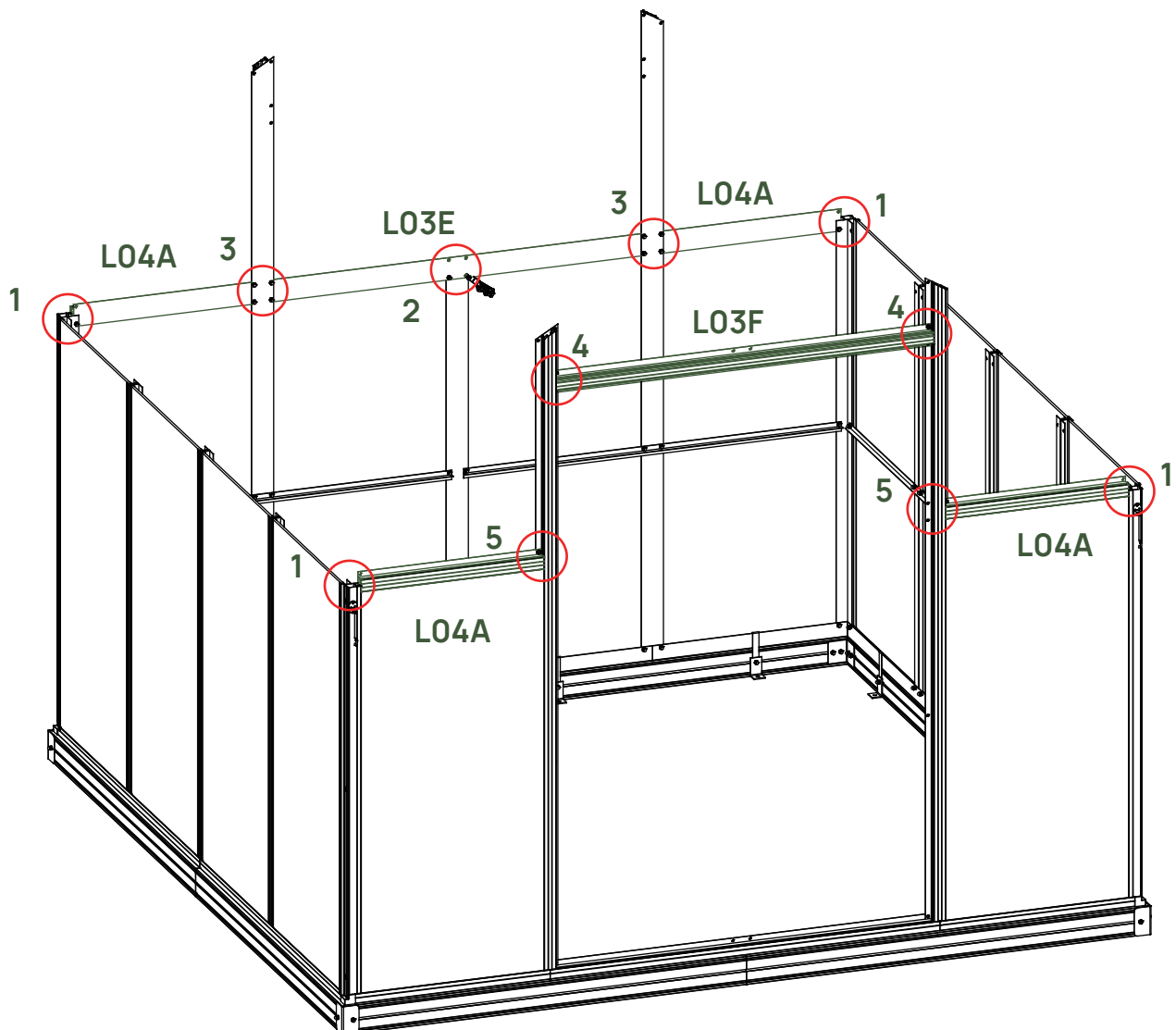
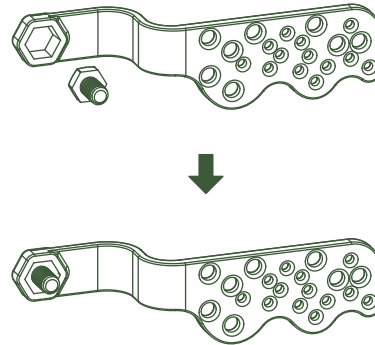
# 06 Secondary Horizontal Frame Assembly

**Note: Hex tool required.**

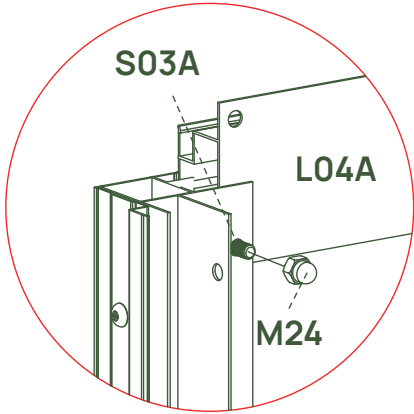
Place S03A bolts on hex tool, load it into the hole between the gap of the two frames, attaching M24 nuts loosely, then remove the hex tool.

Repeat this step for all holes in hard to reach spots.

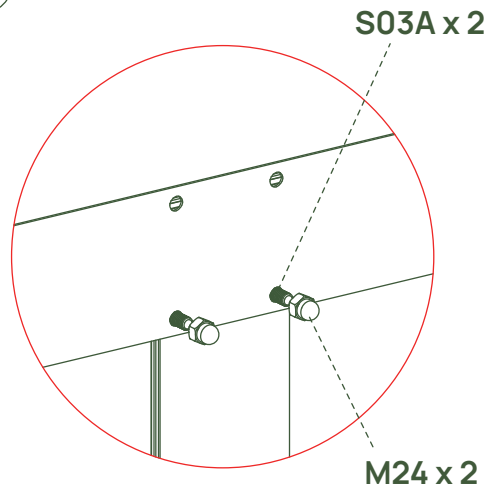
BOX	PART	NO	QTY
BOX 3		L03E	1
BOX 3		L03F	1
BOX 2		L04A	4
		S03A M6X10	20
		M24 M6	20
		S27A M5X12	2
		M31 M5	2
		H137	4



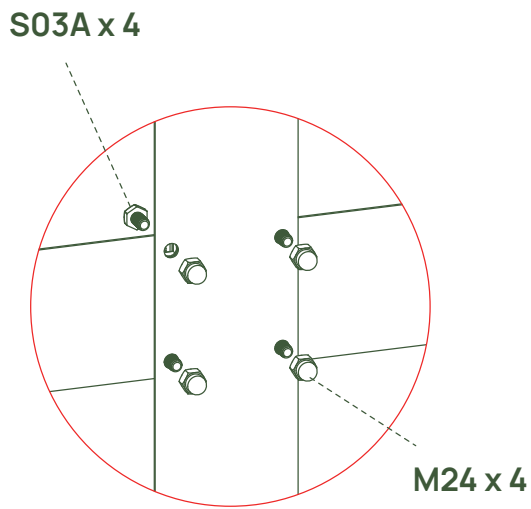
1



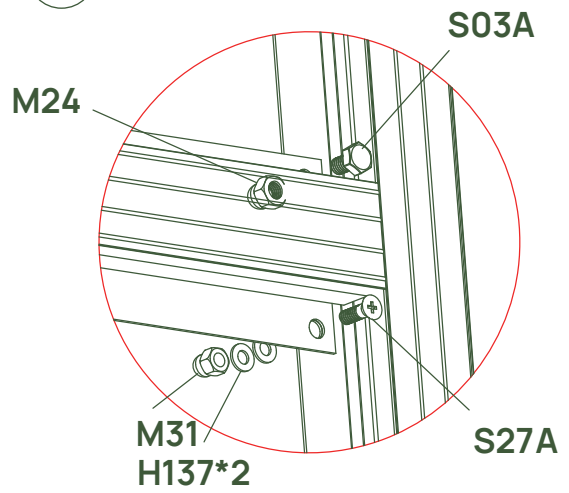
2



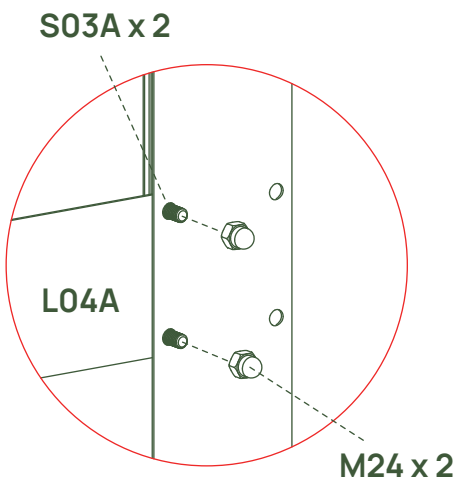
3



4








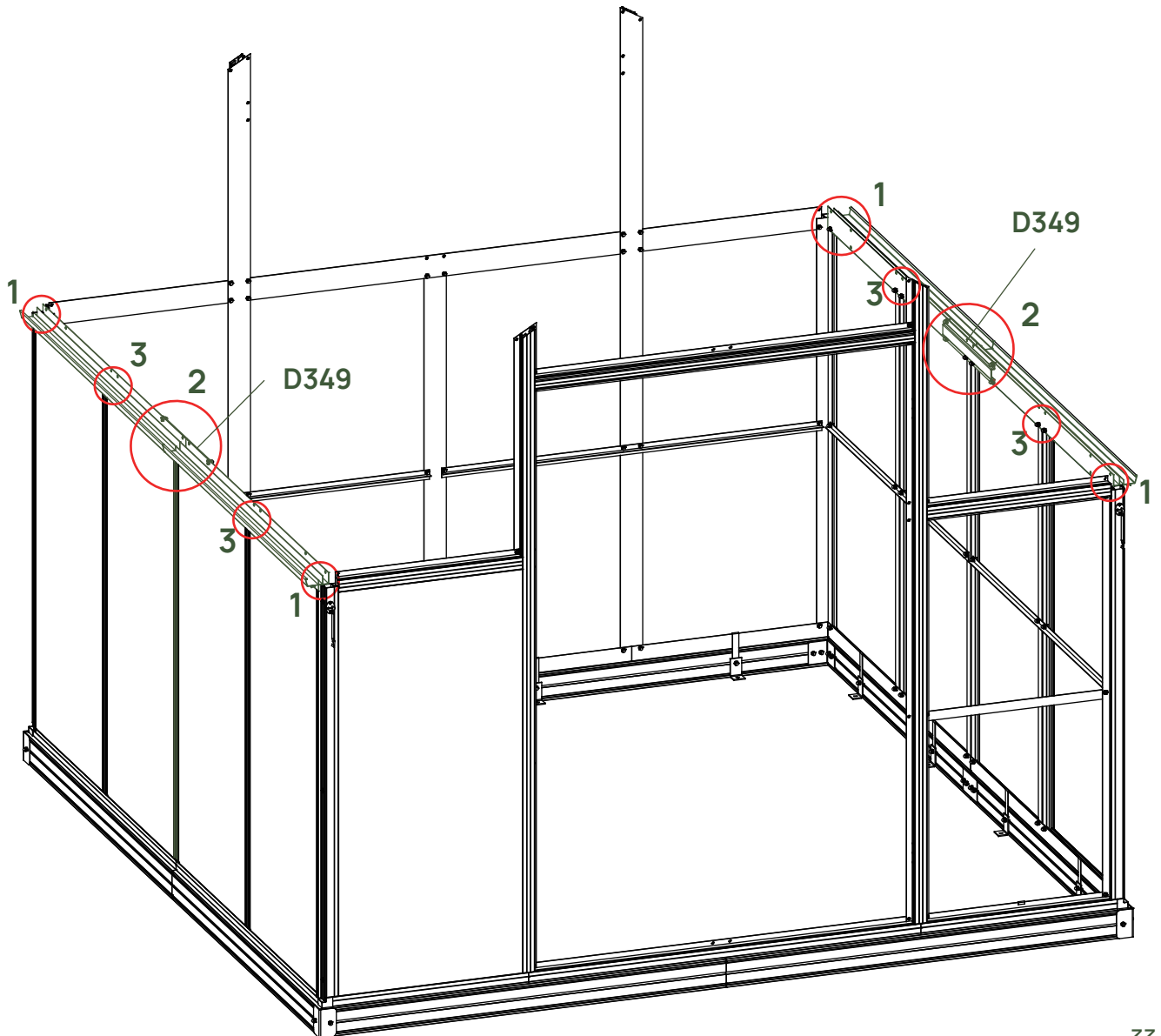
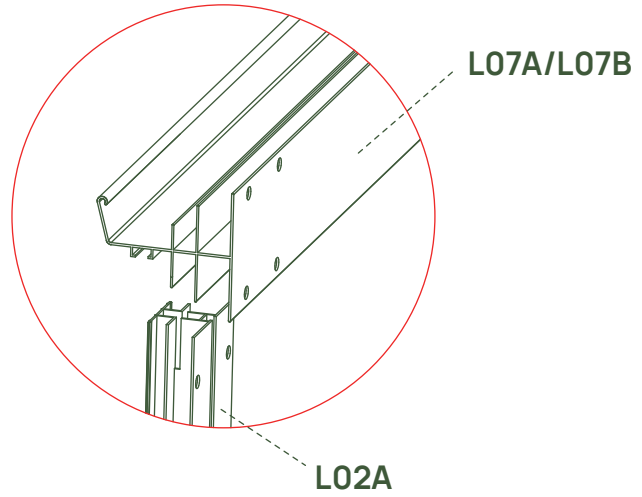
5



STEP  
**07** Frame Connectors Assembly

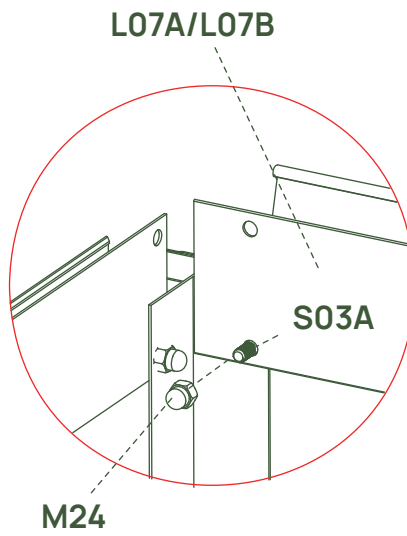
Insert L07 into the slot at L02A's end, as shown.

BOX	PART	NO	QTY
BOX 2		L07A	4
BOX 2		D349	2
BOX 2		D25	2
		S03A M6X10	28
		M24 M6	28

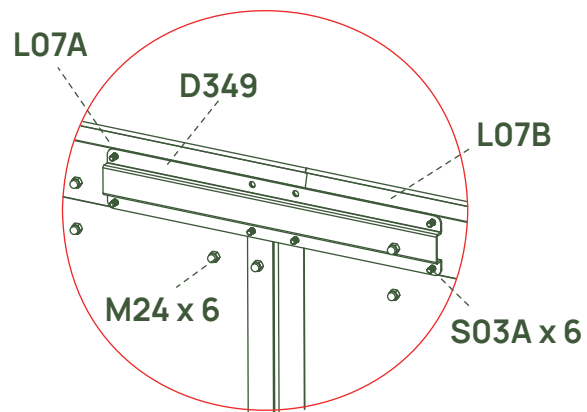


For D349 connectors shown in image 2, do not insert bolts into the middle top 2 holes yet; this will be completed in a later step.

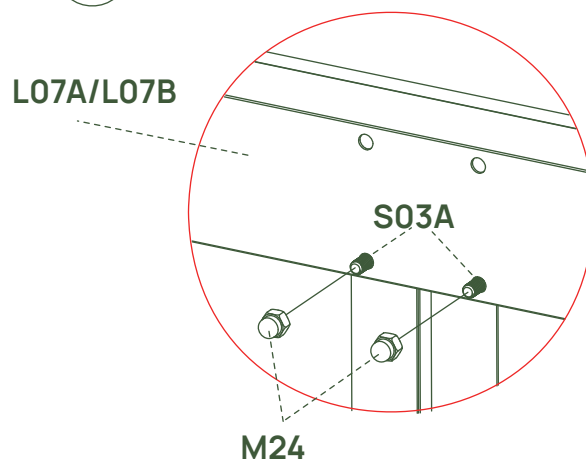
1



2



3

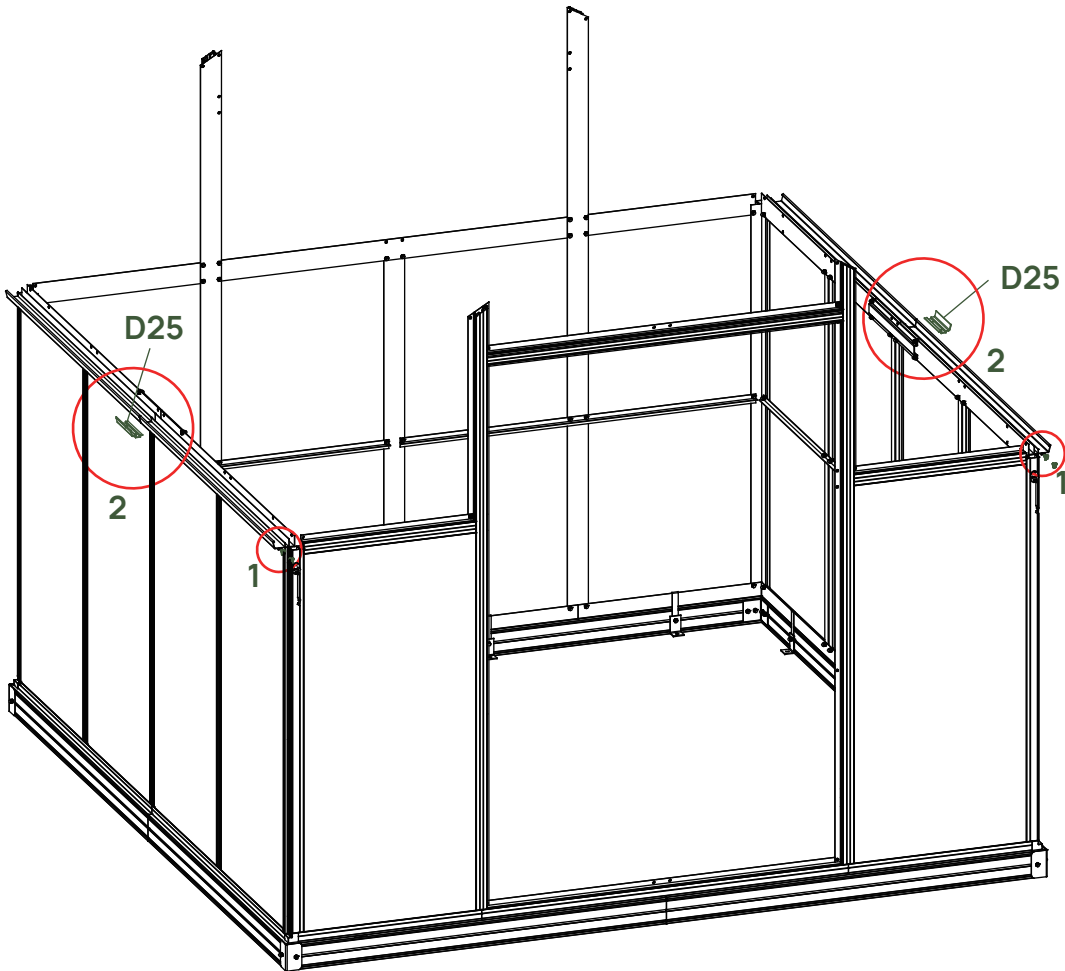
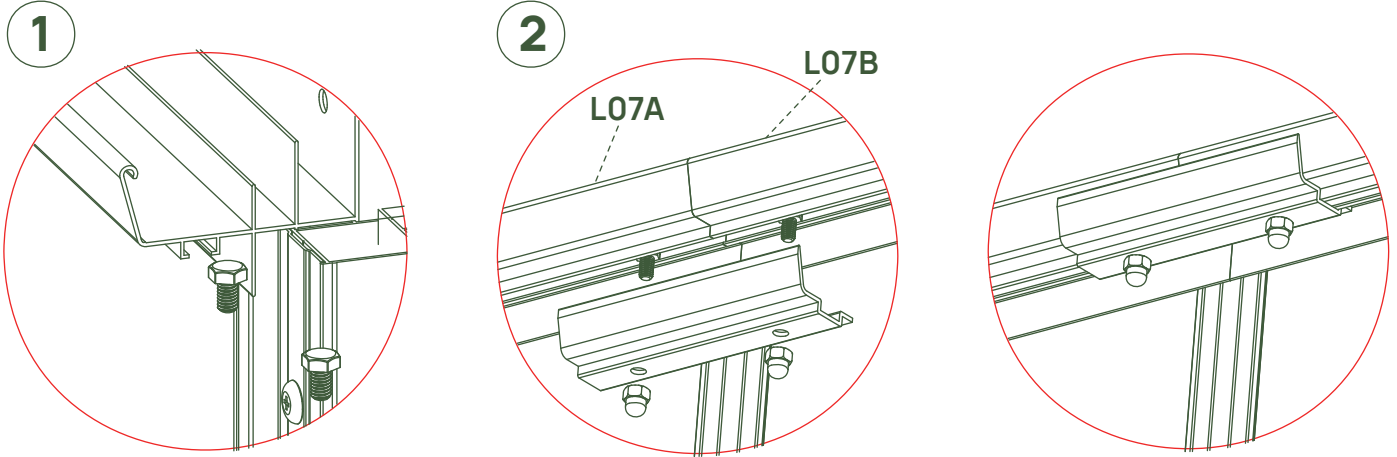


STEP

# 08 D25 Gutter Connectors

Slide 2 S03A bolts in the grooves of the frame, one from the front, the other from the back, and position them as shown in the diagram.

Secure the D25 gutter connectors with M24 nuts.











Wall assembly completed.

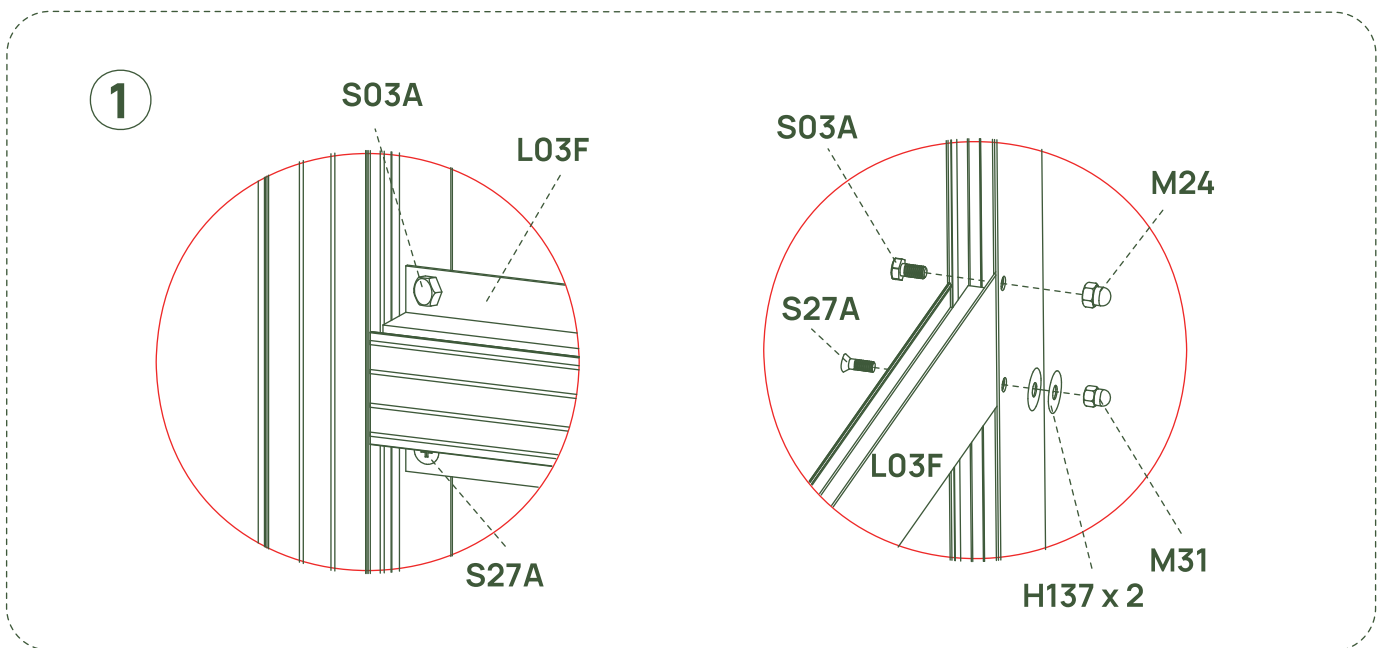
STEP  
**01** Front & Back Gable Assembly

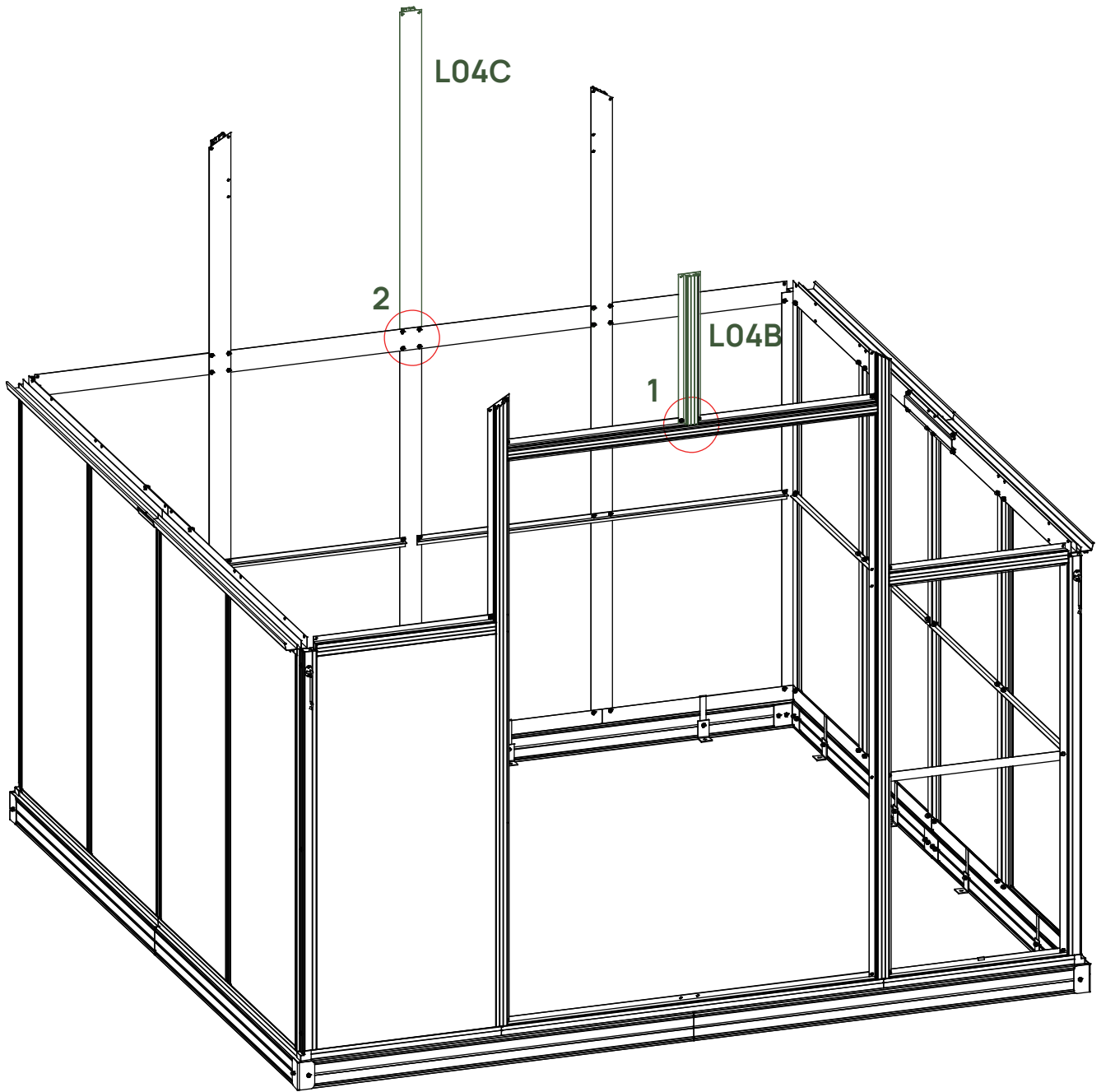
**Note: Specific hardware is required for top and bottom holes on L03F**

**Top holes: S03A, M24**

**Bottom holes: S27A, H137, M31**

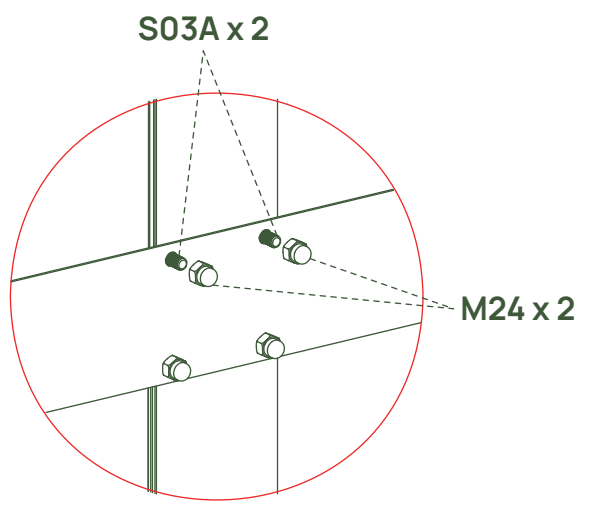
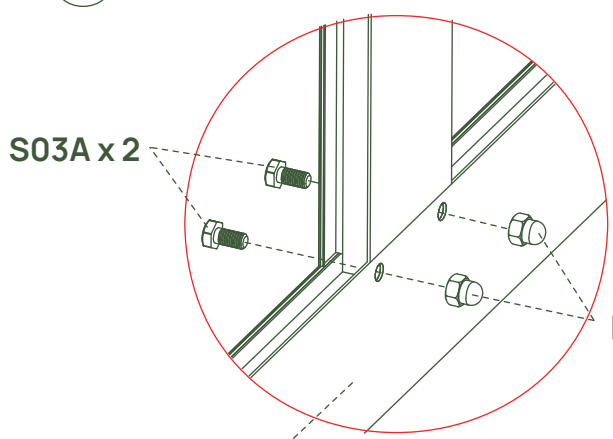
BOX	PART	NO	QTY
BOX 3		L03F	1
BOX 2		L04B	1
BOX 2		L04C	1
		S03A M6X10	6
		M24 M6	6
		S27A M5X12	2
		M31 M5	2
		H137	4












2

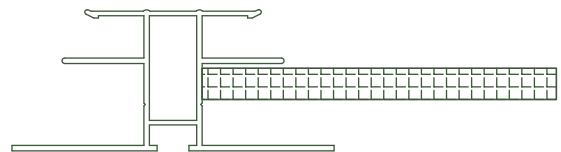
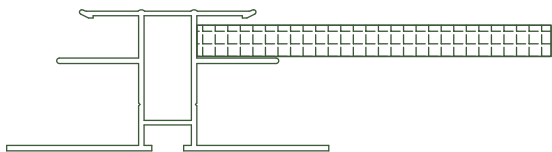
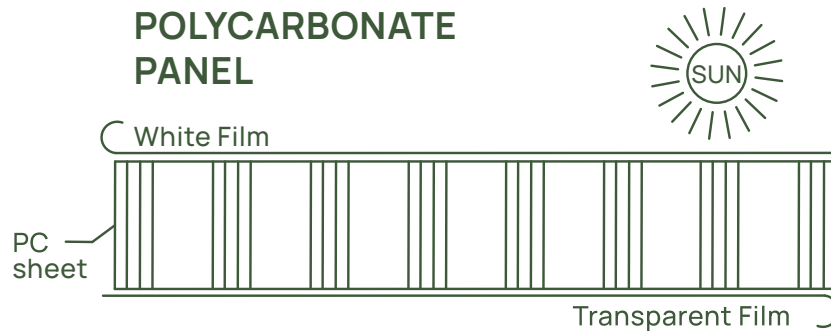
3

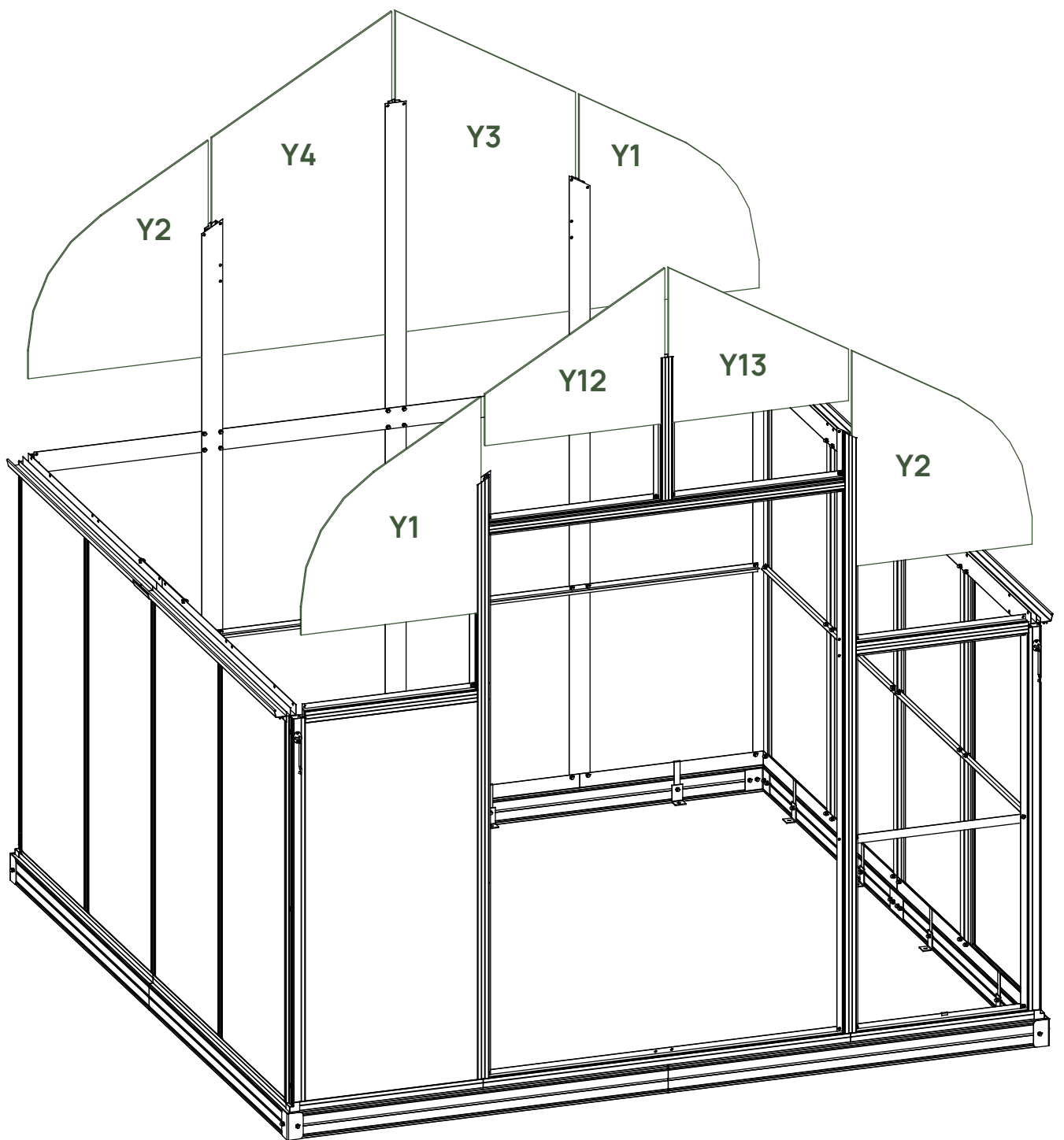


# 02 Upper Front and Back PC Panel Assembly

**Note:** The white film indicates the UV-protected side of the panels. We recommend waiting to remove the white film until you have placed the panels in the frame, to ensure that the UV side is facing outwards. Remove the plastic film from both sides of the panels, noting that the white film side is the UV-protected side of the panel, and should be installed facing outwards.





BOX	PART	NO	QTY
BOX 4		Y1	2
BOX 4		Y2	2
BOX 4		Y3	1
BOX 4		Y4	1
BOX 5		Y12	1
BOX 5		Y13	1
		H158	1

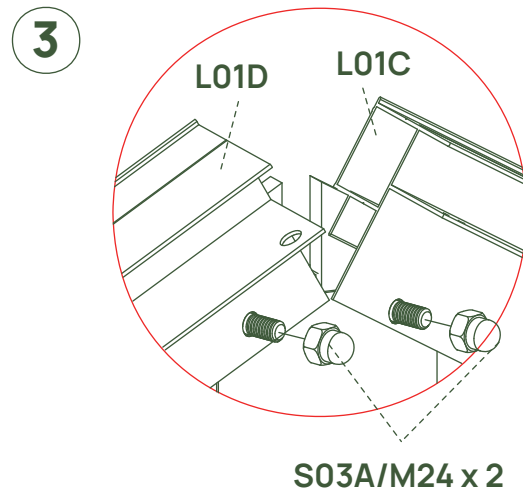
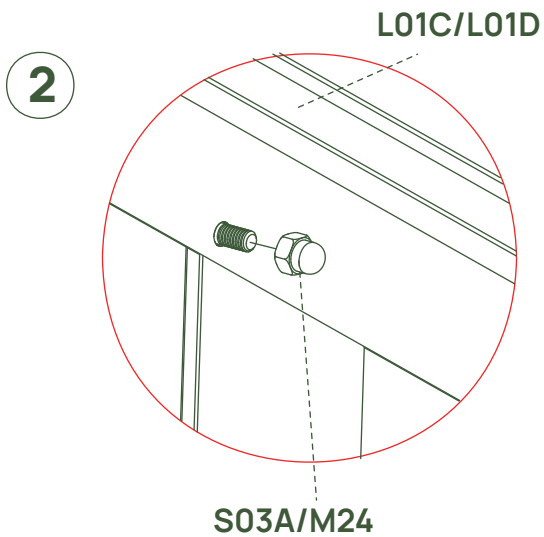
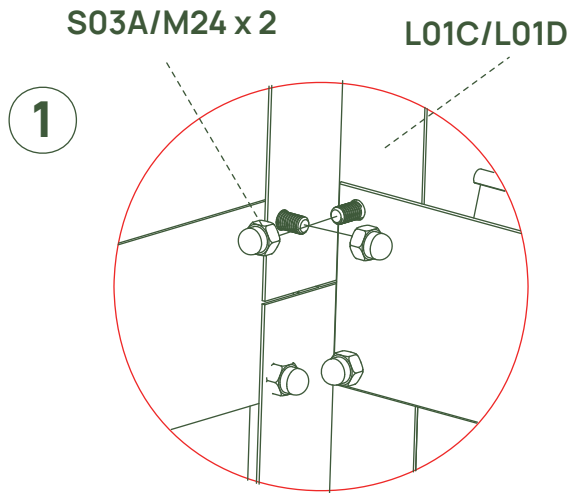




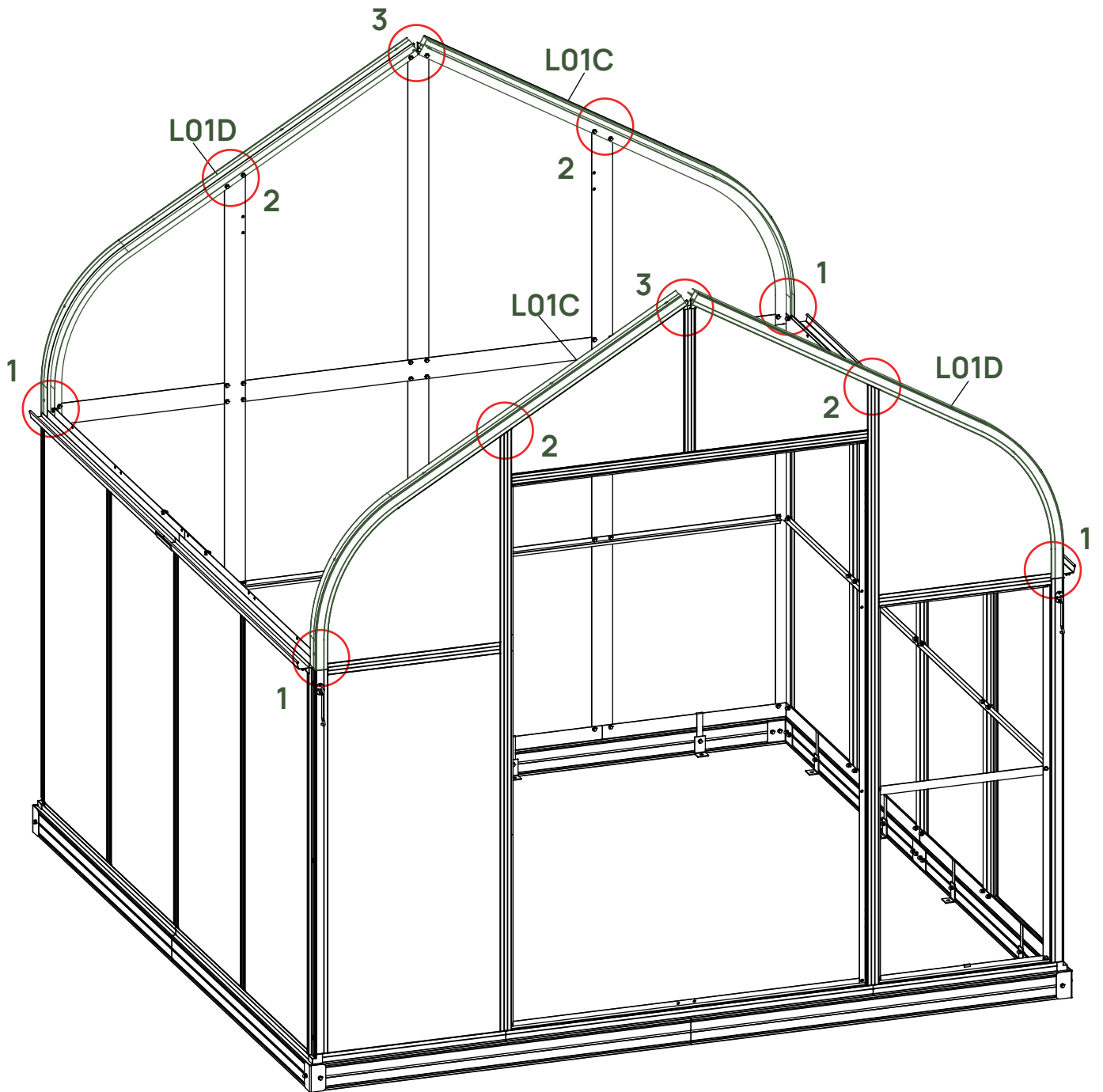
STEP  
**03** Roof Frame Assembly

Slide the corresponding roof frame pieces over the PC panels, and bolt into place.

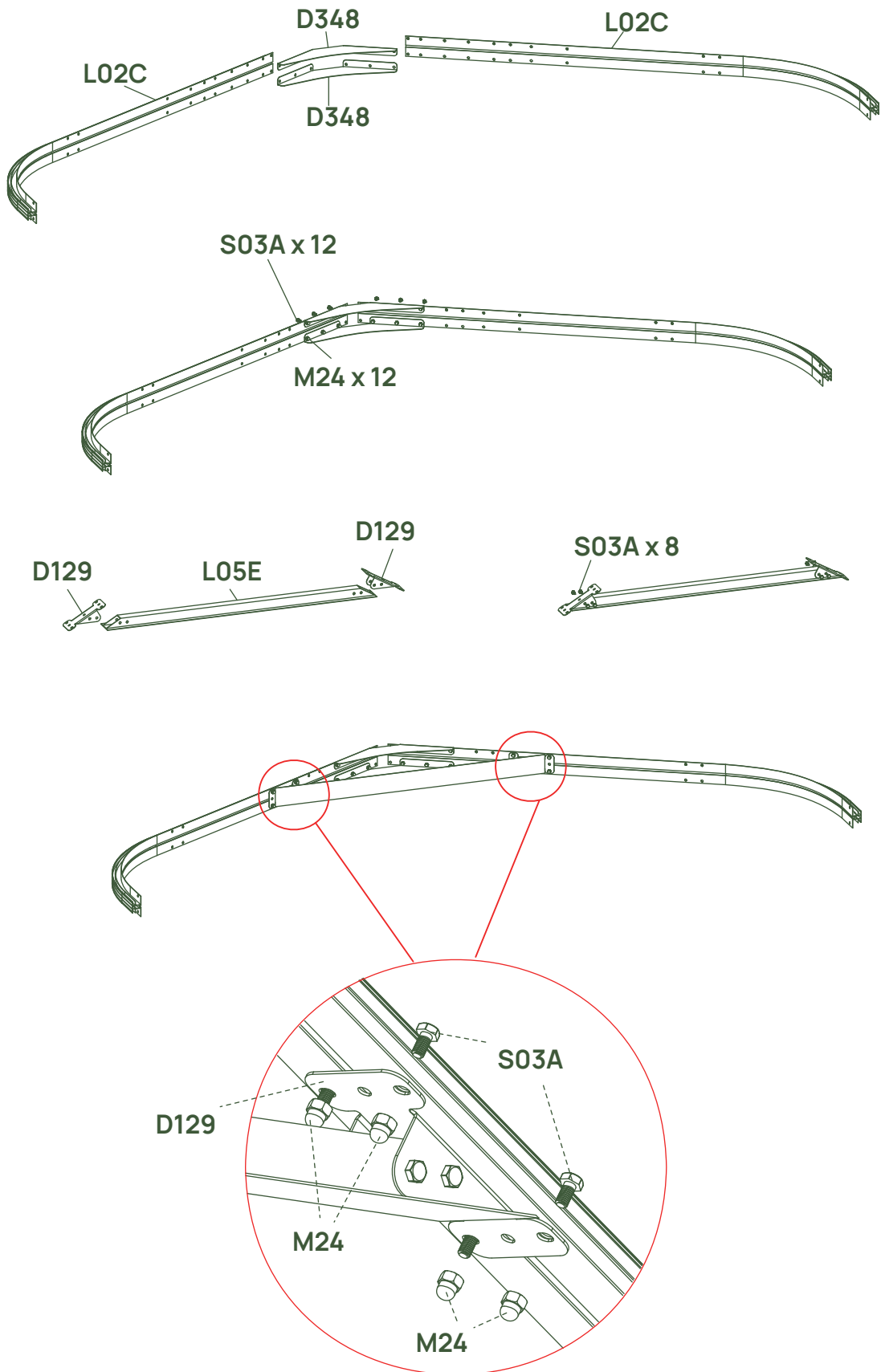
BOX	PART	NO	QTY
BOX 3		L01C	2
BOX 3		L01D	2
		S03A M6X10	16
		M24 M6	16







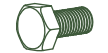

Scan the QR code above  
 or visit [vegogarden.com](http://vegogarden.com) to learn more  
 about your Vego Greenhouse Kit.

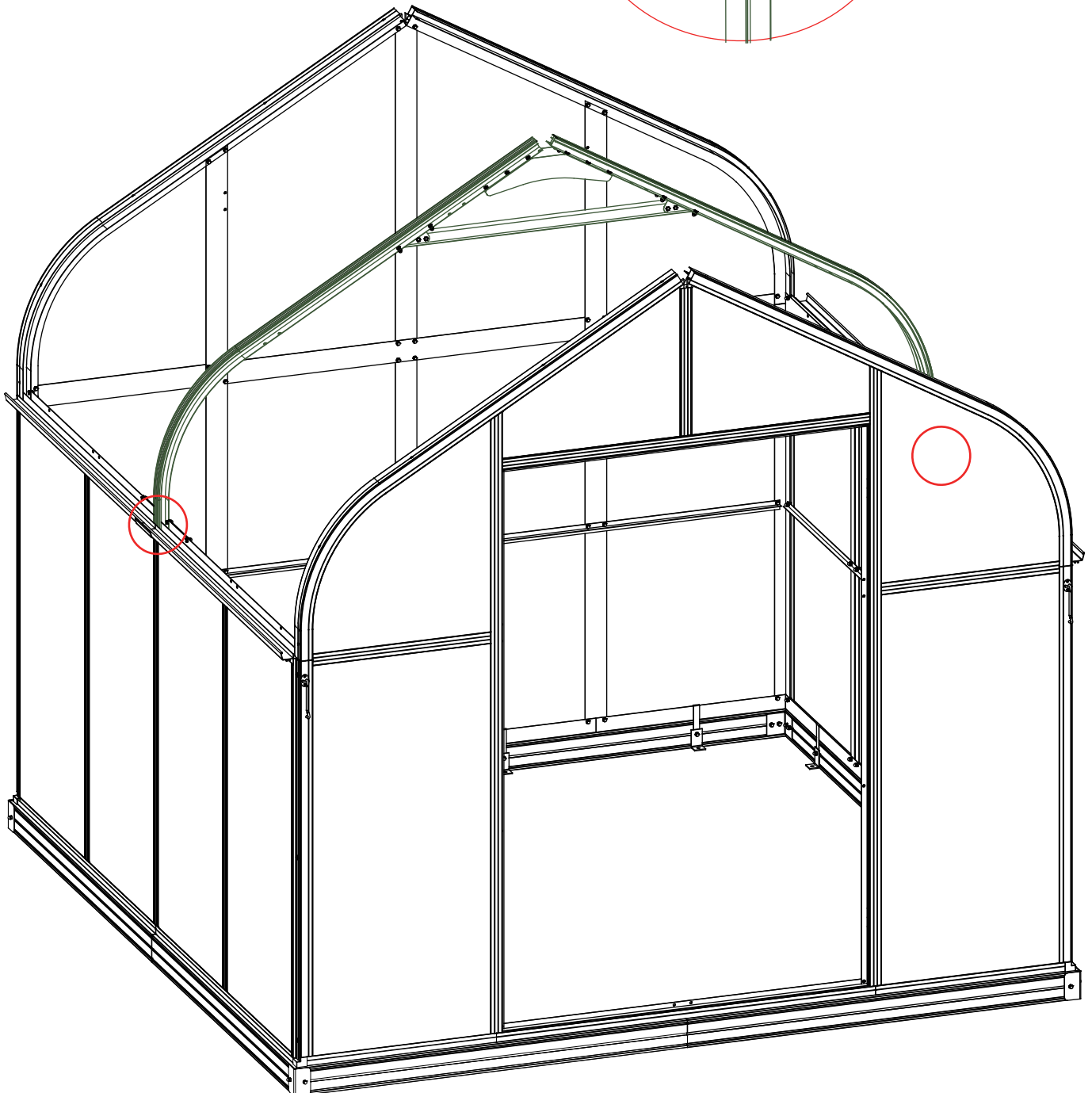
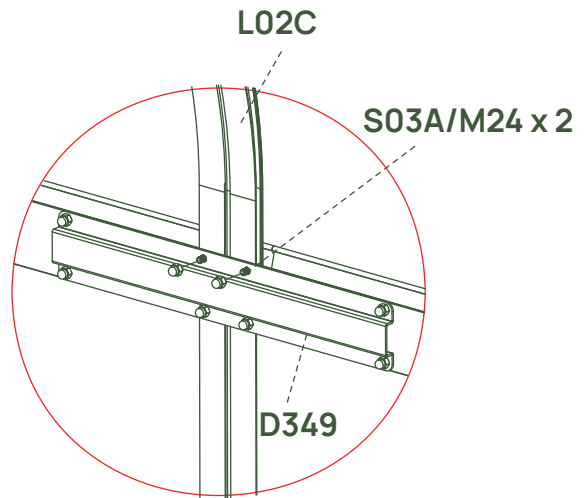


Assemble the center roof frame support by connecting L02C pieces with D348 pieces. Then assemble and attach the support bar by connecting a D129 to each end of L05E with S03A bolts. The support bar can then be bolted to the underside of the center roof frame support as shown.





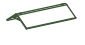



Bolt the center roof frame to the greenhouse as shown in the diagram, ensuring that you've connected it to the correct pair of vertical frame pieces.

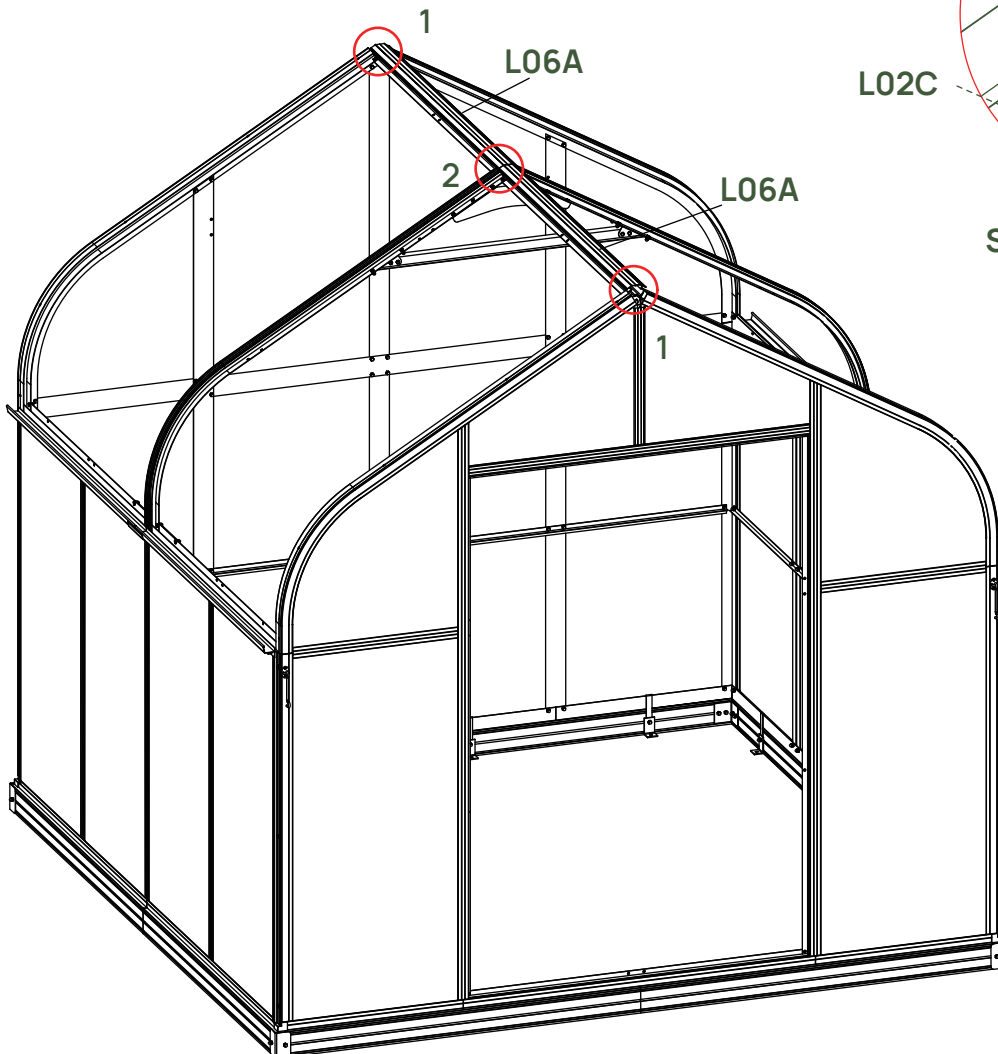
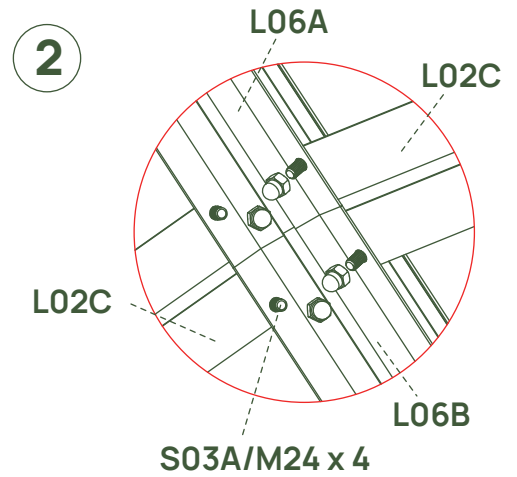
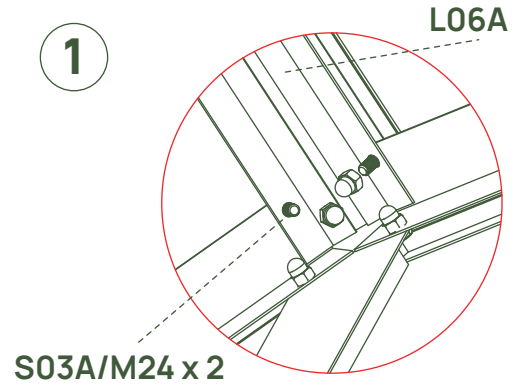
BOX	PART	NO	QTY
BOX 2		L05E	1
BOX 3		L02C	2
BOX 2		D129	2
BOX 2		D348	2
		S03A M6X10	32
		M24 M6	24



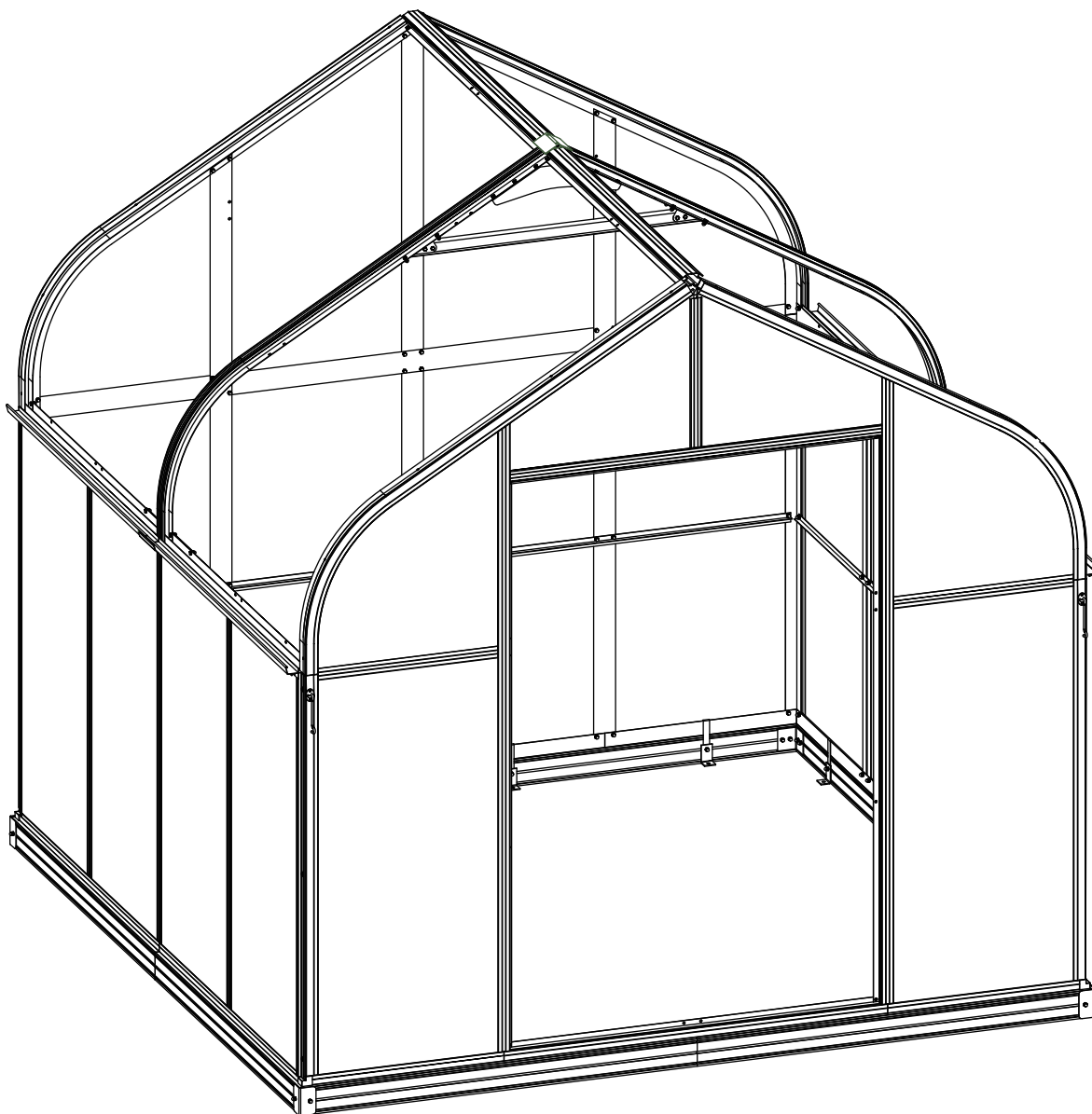
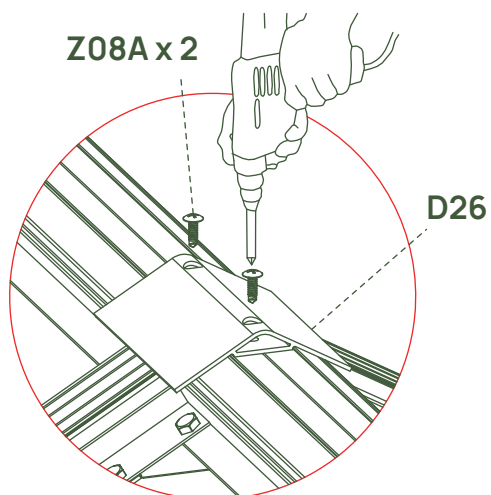
STEP **04** Ridge and Roof Panel Assembly

Install the ridge along the top of the roof. First, gently pull the roof frame pieces apart at the peak, and insert the ridge piece, aligning the bolt holes, and attach.








BOX	PART	NO	QTY
BOX 1		L06A	1
BOX 1		L06B	1
BOX 2		D26	1
		Z08A M4.2X16	2
		S03A M6X10	8
		M24 M6	8

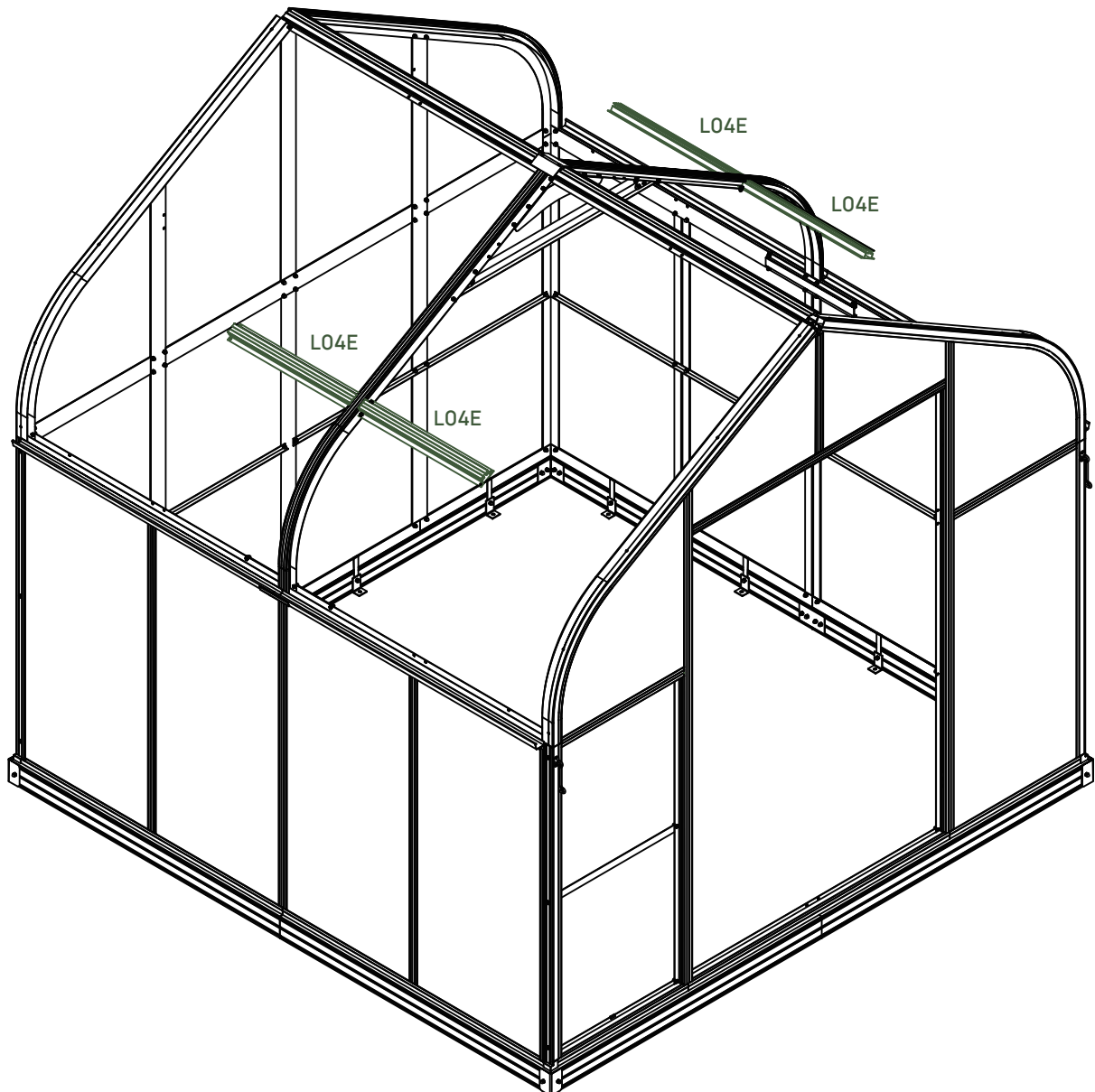
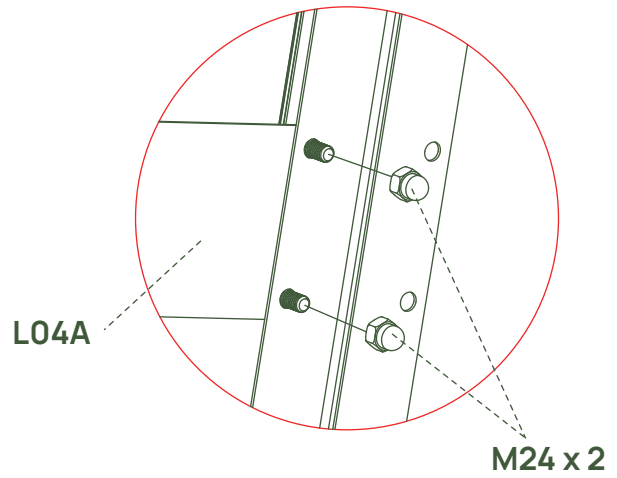


Using the self-tapping screws Z08A, connect the center ridge cap (D26) to the middle joint of the roof.



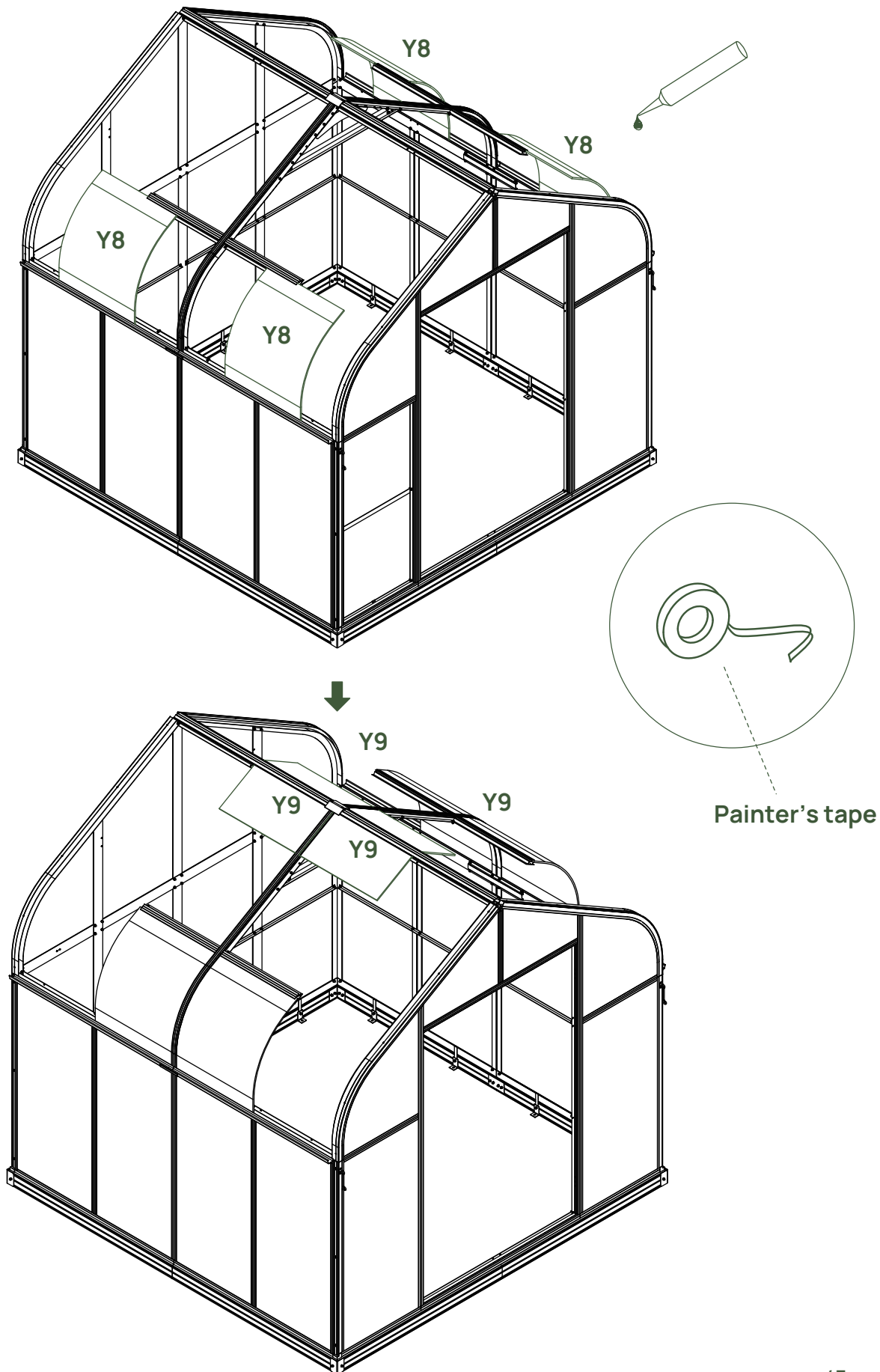
Install horizontal roof frame pieces (L04D), beginning from the center, moving towards the door. Attach L04D using bolts and cap nuts.

BOX	PART	NO	QTY
BOX 3		L02B	2
BOX 2		L04D	2
BOX 4		Y7	2
BOX 5		Y8	2
		S03A	16
		M6X10	
		M24	16
		M6	
		H158	1



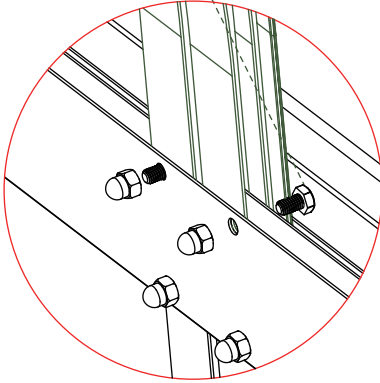
Slide Y8 and Y9 into the frames as shown in the diagrams, UV side out. Secure the Y9 panels to the ridge temporarily using painters tape.

As you install each roof PC panel, go ahead and apply silicone caulk around the edges to keep things watertight.

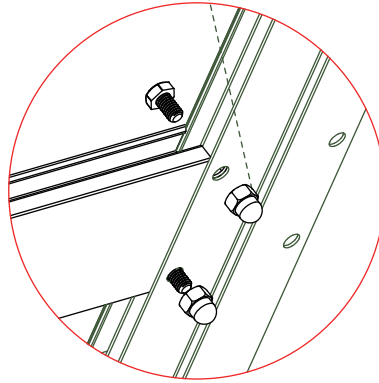


After the first set of panels are in place, follow them by attaching two L02B pieces, making sure the slot fits into the horizontal frame, and bolt holes are aligned & flush. Secure with bolts and cap nuts.

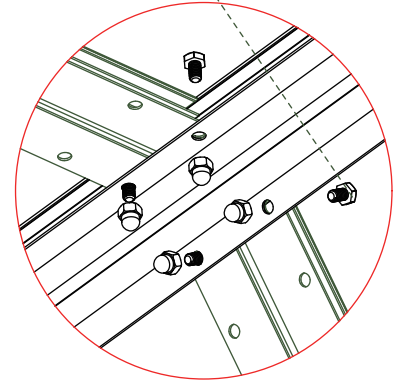
S03A/M24\*2



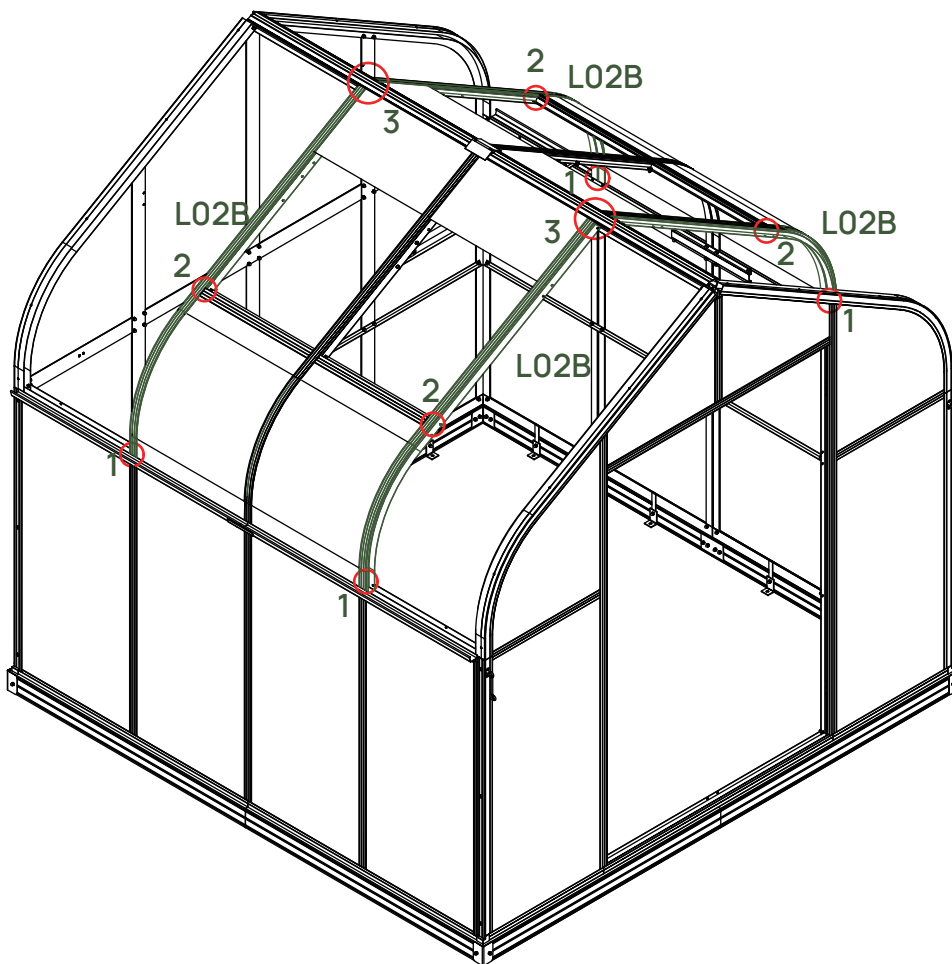
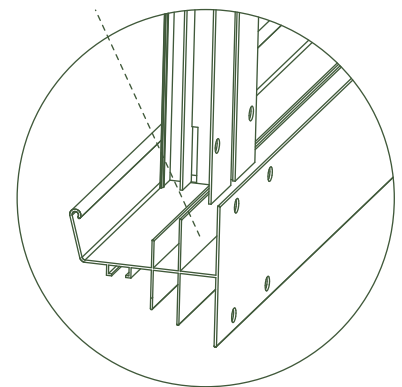
S03A/M24\*2



S03A/M24\*4



Insert the cut end of L02B onto L09 as shown





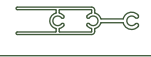




**Roof assembly completed.**

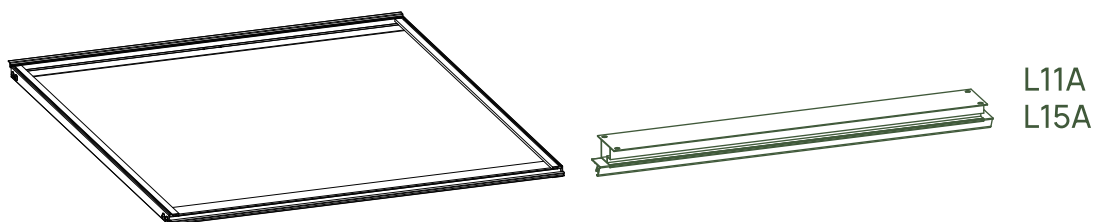
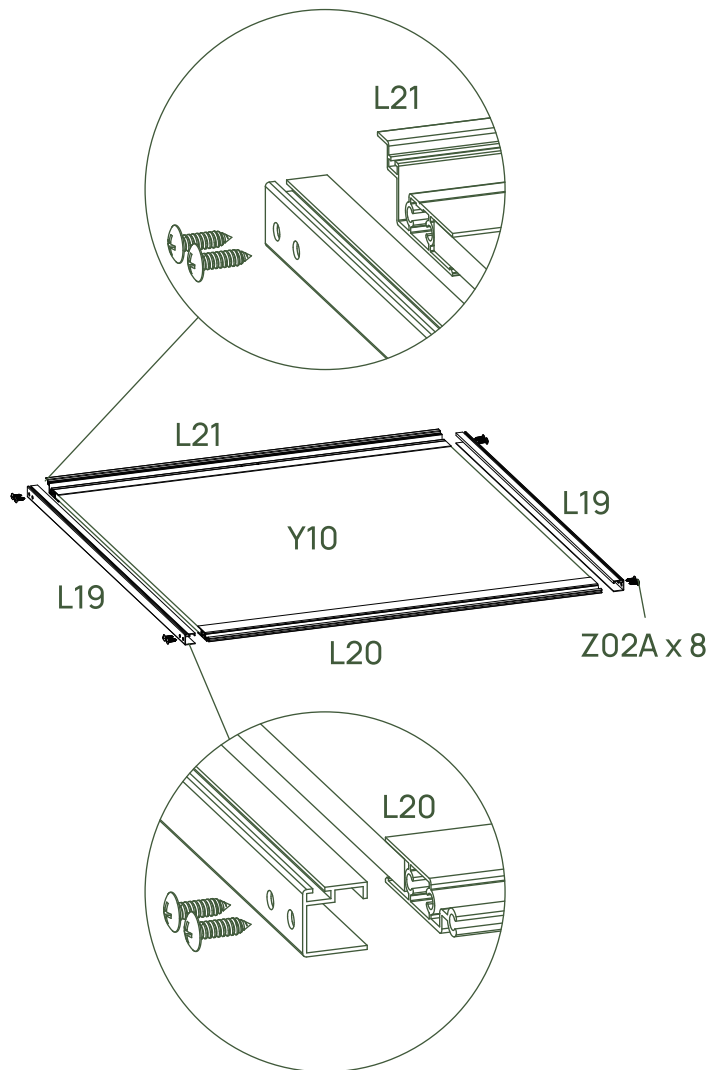
# Vent Assembly

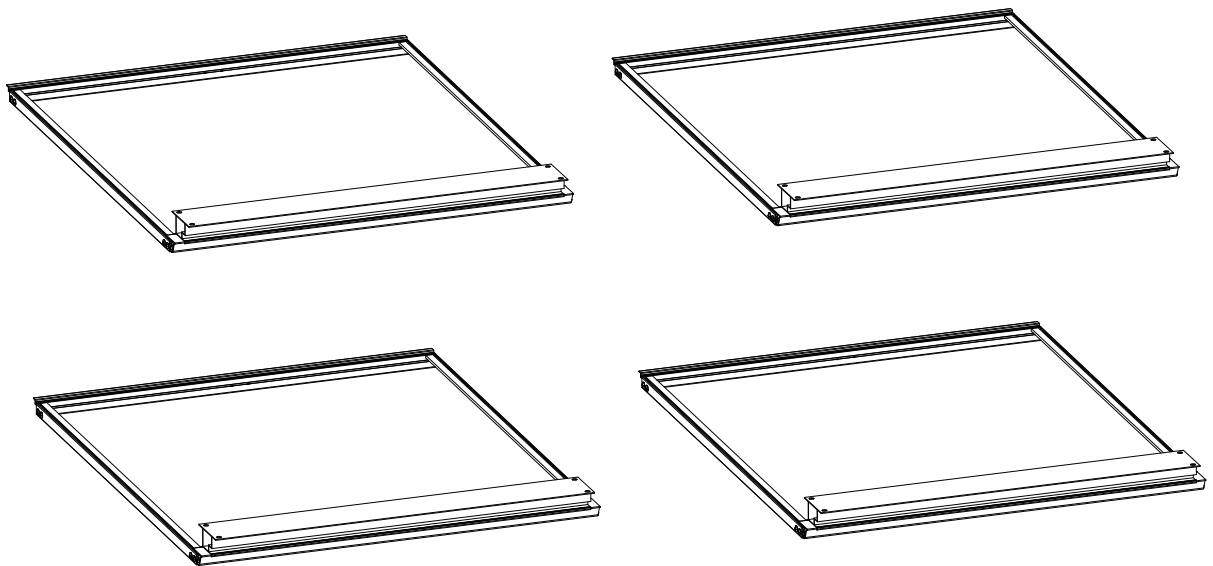
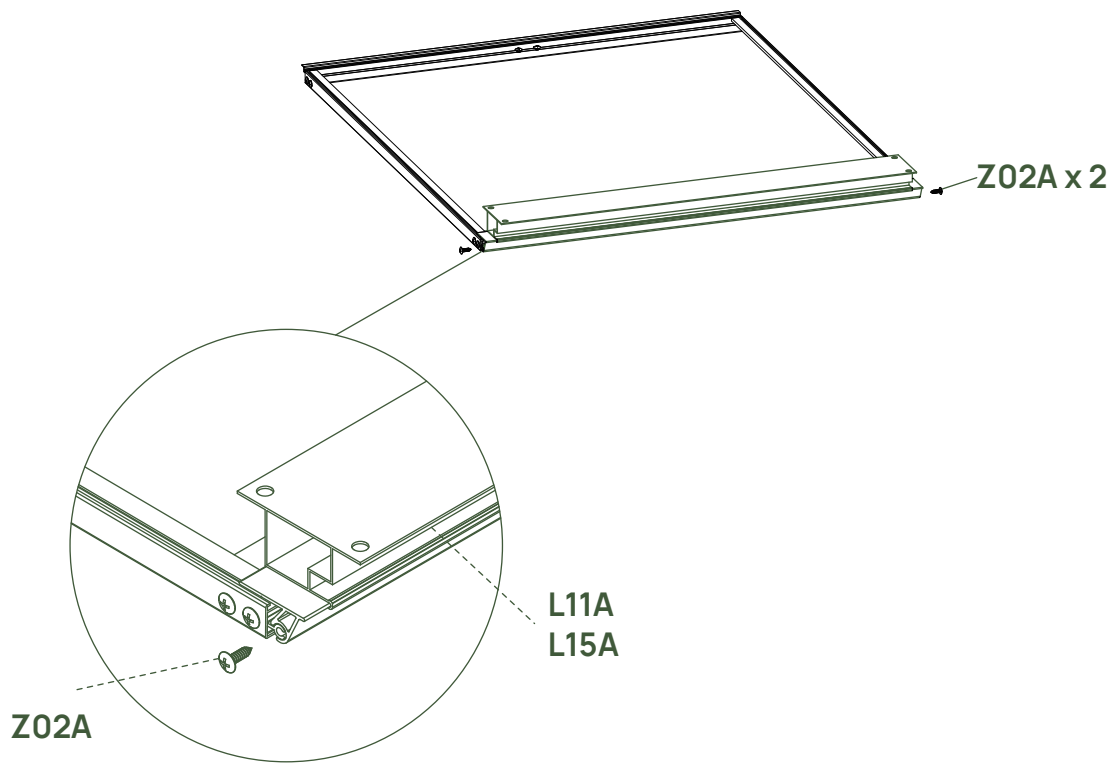
## STEP 01

With a PC panel, UV side down, push the vent frame pieces (L19 x 2, L20, L21) onto the edges as shown, and connect with Z02A screws through the **innermost two holes**.

Slide L11A and L15A onto the L20 side of the vents as shown in the diagram. Repeat these steps to assemble a total of 4 vents, and trim any excess weather stripping from the ends.

BOX	PART	NO	QTY
BOX 2		L11A	4
		L15A	4
BOX 2		L19	8
BOX 2		L20	4
BOX 2		L21	4
BOX 5		Y10	4
		Z02A Ø4X16D	40
		H158	1







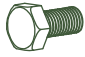



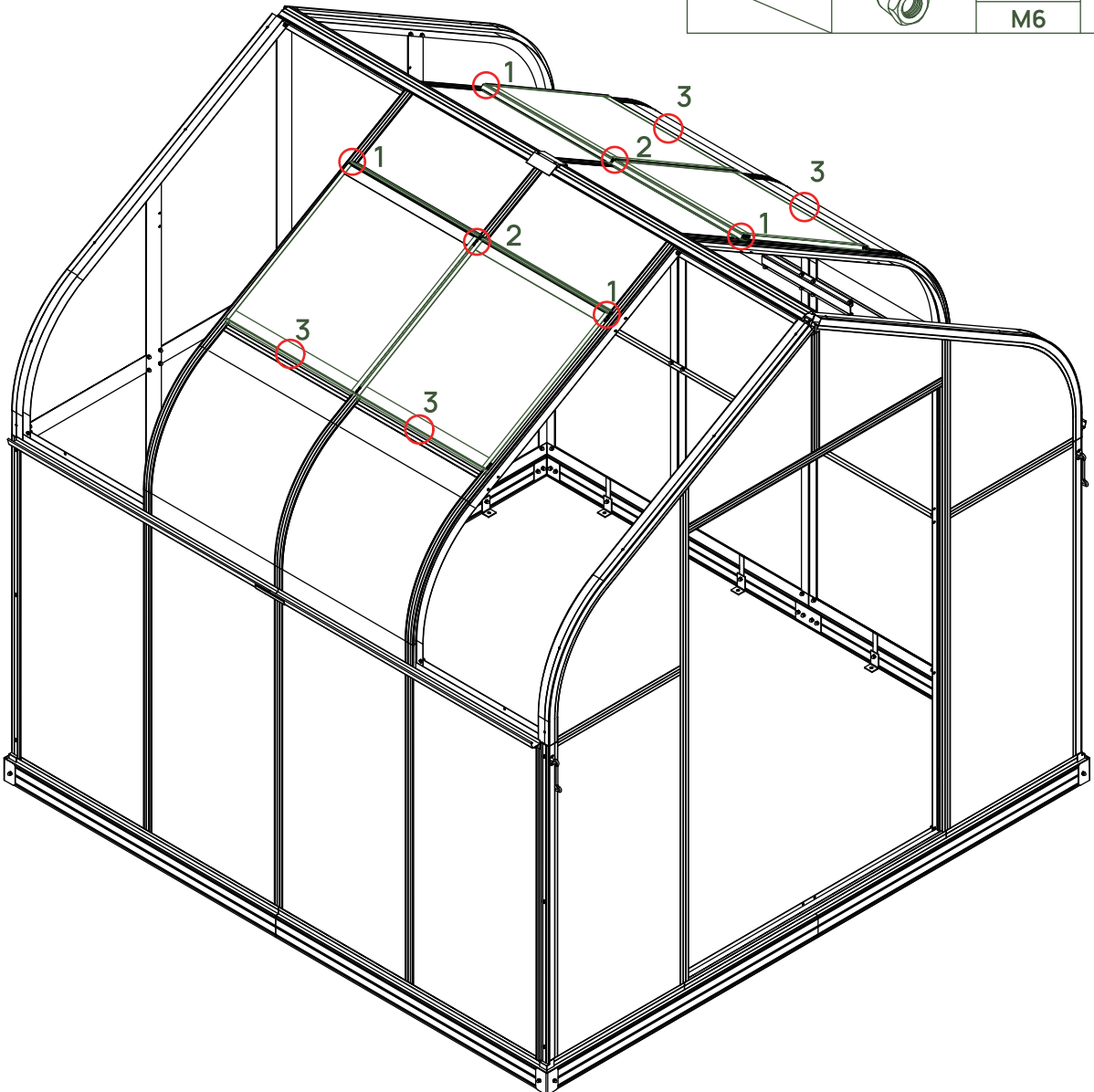
STEP  
**02** Vent Installation

Attach the vent arm to the C1 vent using the 219A screws.

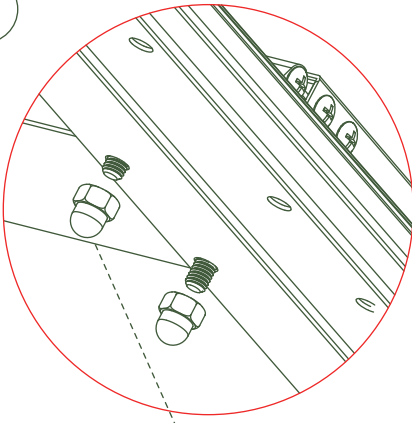
Bolt completed C1 vent by its hinge assembly (L11A/L15A) to the roof frame.

Finally, connect the loose end of the vent arm to the greenhouse frame using S26A screws.

BOX	PART	NO	QTY
		C1	4
BOX 2		A74	4
		S26A M5X12	8
		Z19A M4.2X10	8
		S03A M6X10	16
		M24 M6	16

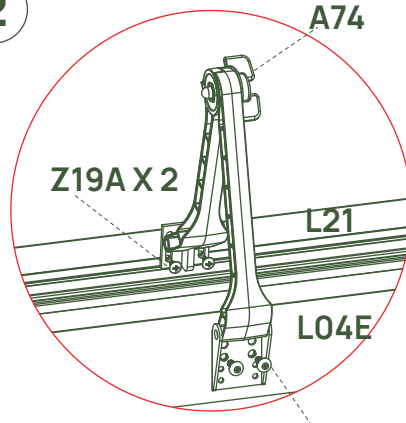


1



S03A/M24 x 2

2

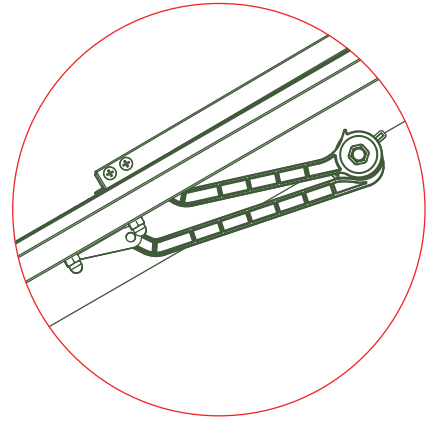


Z19A X 2

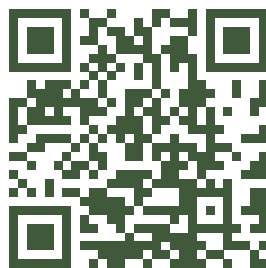
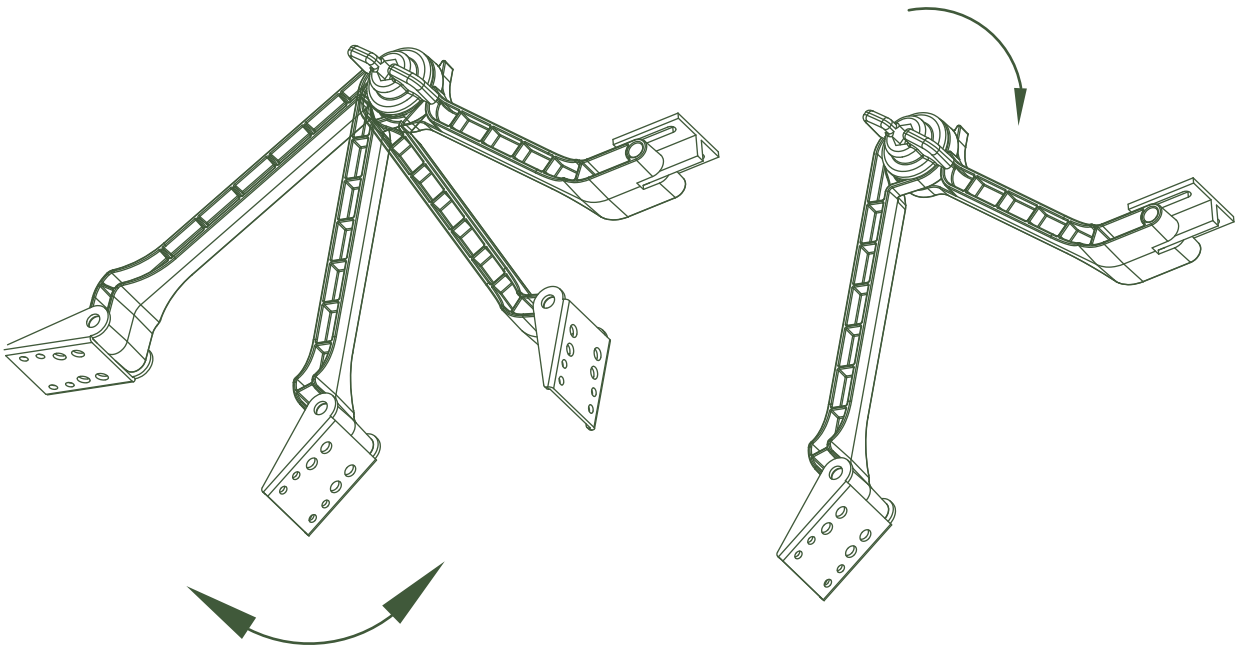
A74

L04E

S26A X 2



Vents can be adjusted using the knob. Turn counterclockwise to loosen and clockwise to tighten.


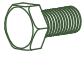



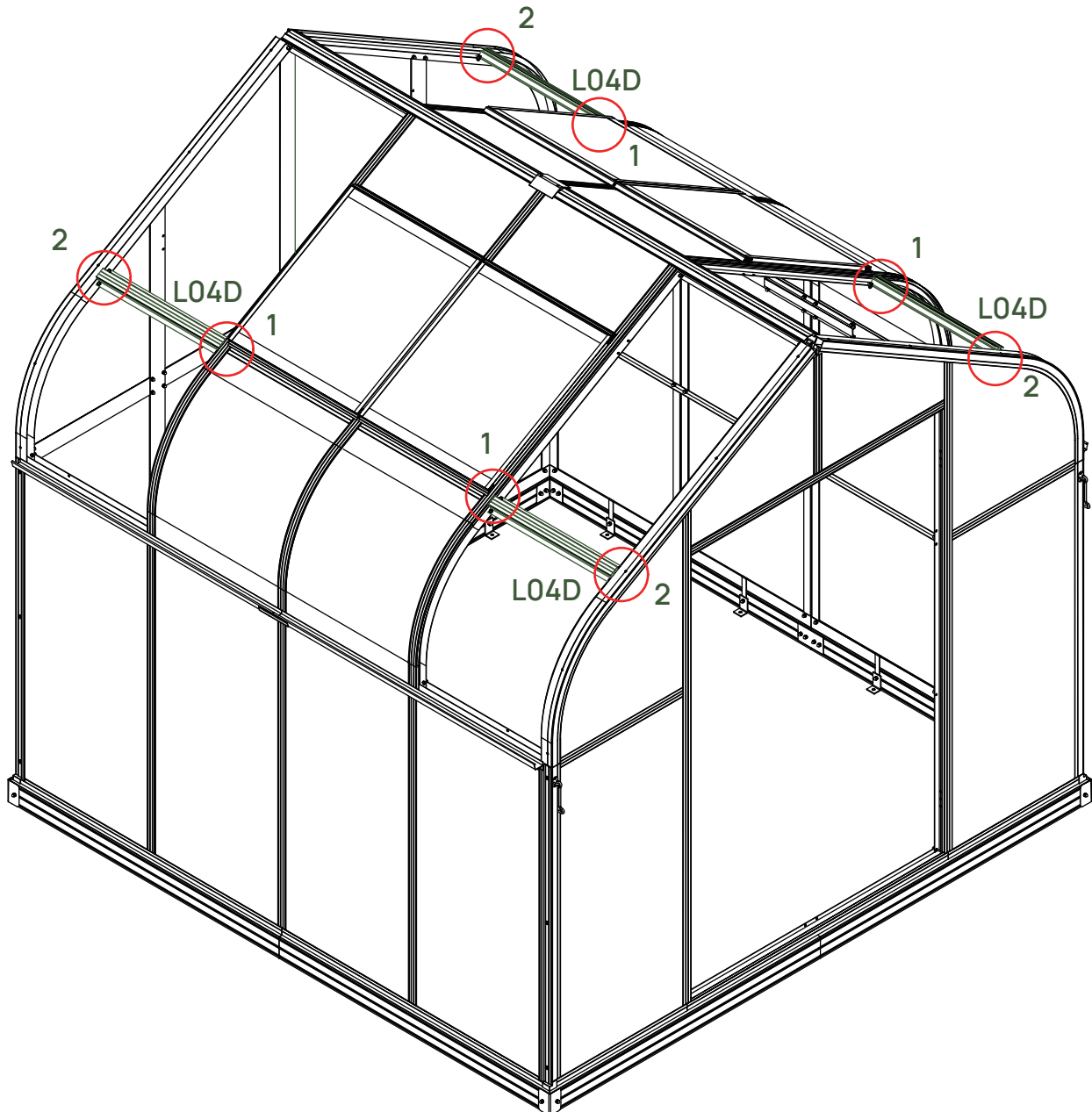
Scan the QR code above or visit [vegogarden.com](http://vegogarden.com) to learn more about your Vego Greenhouse Kit.

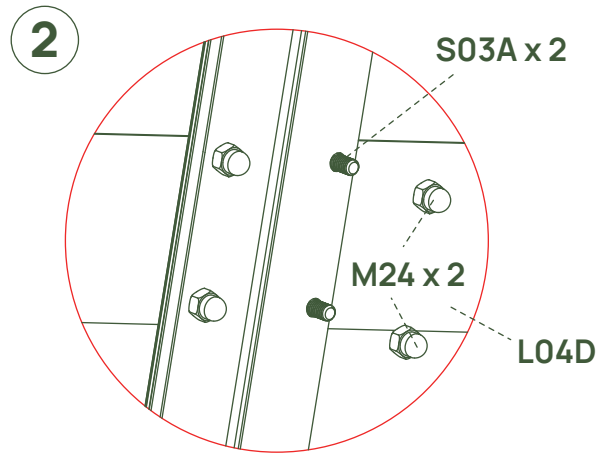
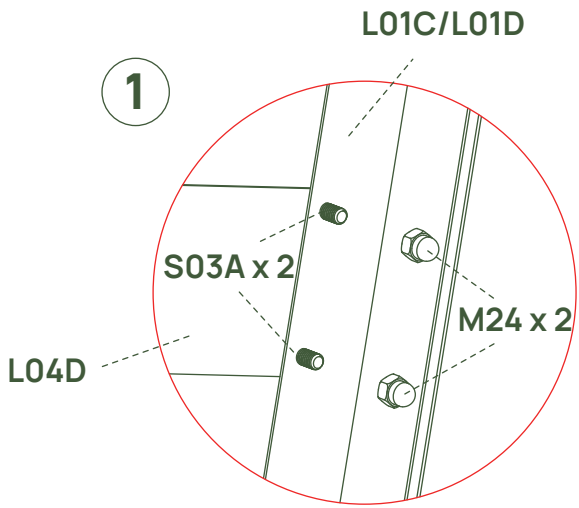
STEP  
**03**

Attach final horizontal roof frame pieces (L04D) to the already installed horizontal frame as shown, and slide in the final pieces of the PC paneling.

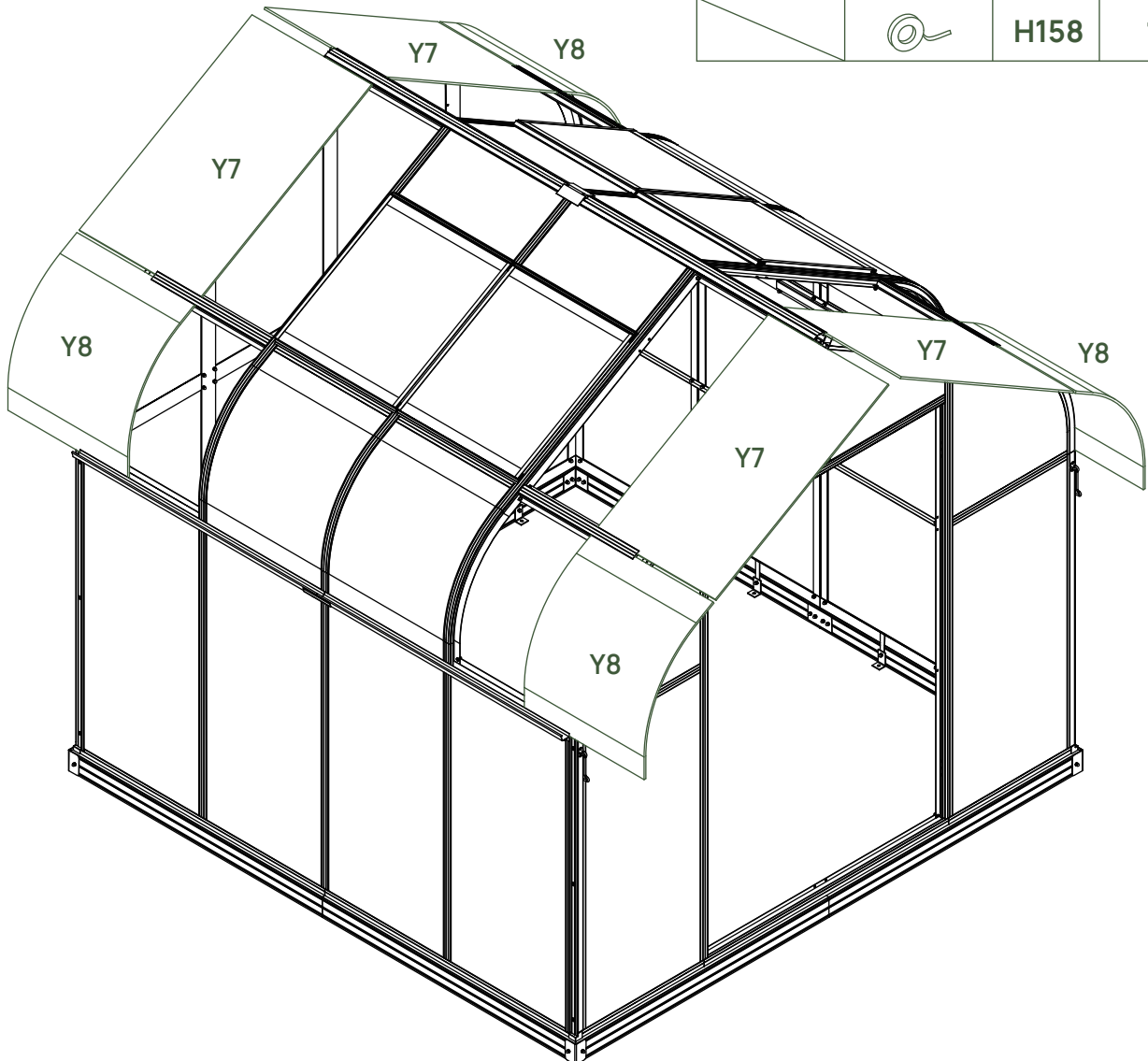
**Note:** The final set of panels fit very snugly. You may find that gently tapping with your rubber mallet helps nestle them into place.

BOX	PART	NO	QTY
BOX 2		L04D	4
		S03A M6X10	16
		M24 M6	16

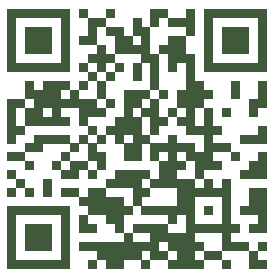
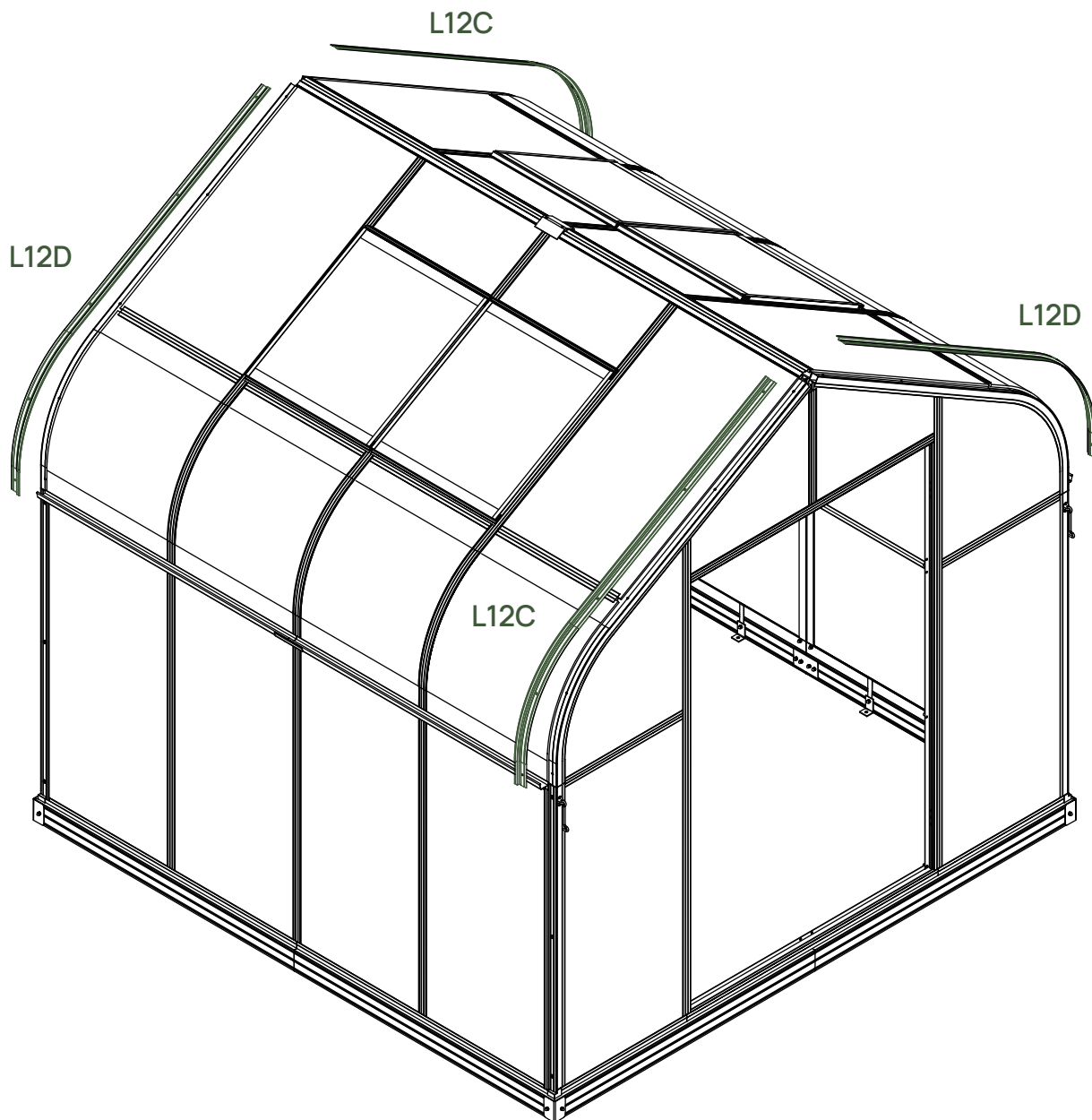




BOX	PART	NO	QTY
BOX 3		L12C	2
BOX 3		L12D	2
BOX 4		Y7	4
BOX 5		Y8	4
		S21A M5X12	20
		H158	1

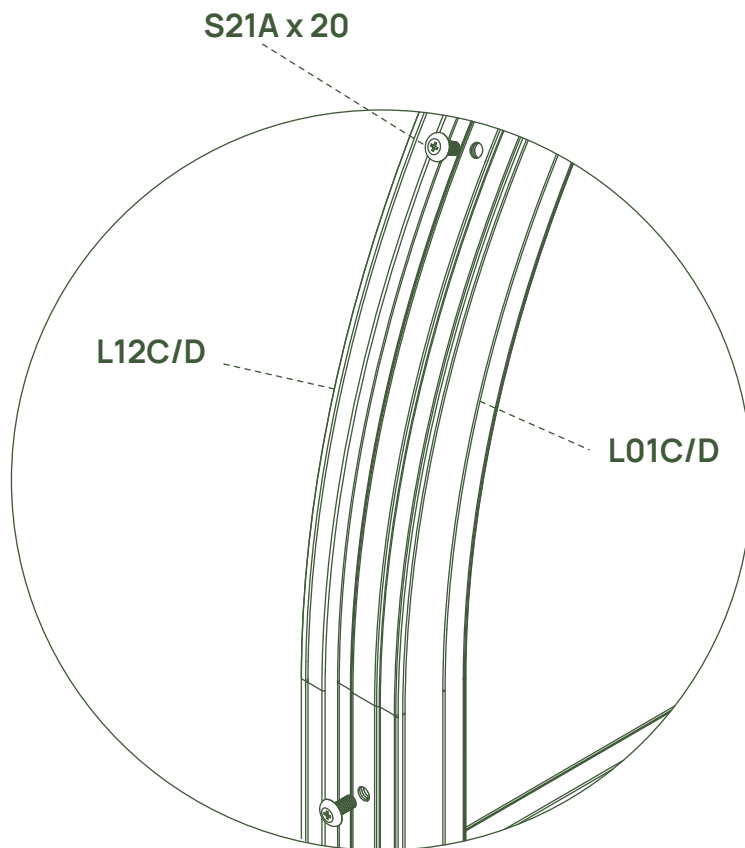
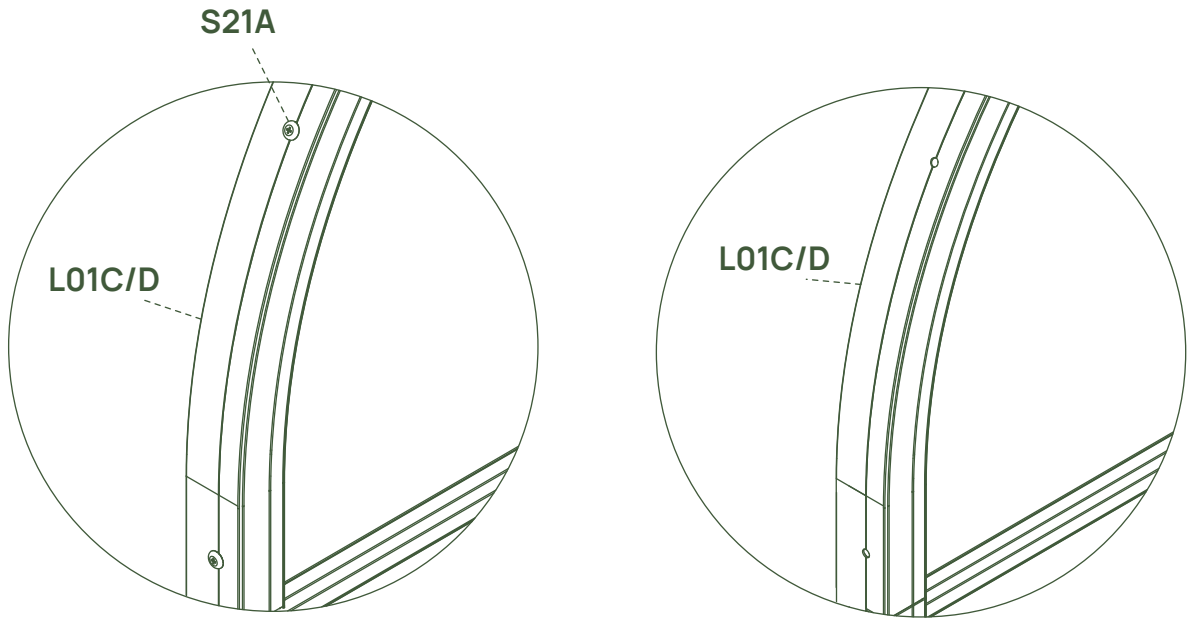


Attach L12C and L12D pieces to the outside edges of the roof, to cap the PC panels. L12C will be on the left when you are facing the door, and on the left when facing the outside of the back.



Scan the QR code above  
or visit [vegogarden.com](http://vegogarden.com) to learn more  
about your Vego Greenhouse Kit.

**Note: S21A screws are pre-attached on L01C and L01D frames, unthreaded and use them to secure L12C and L12D onto L01C and L01D.**















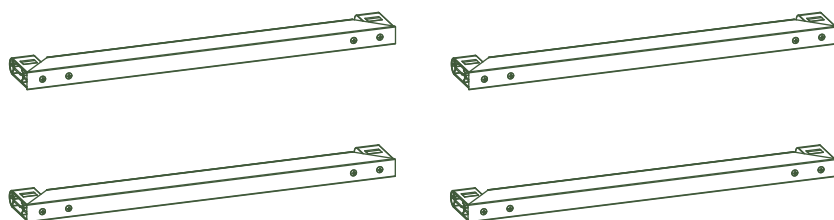
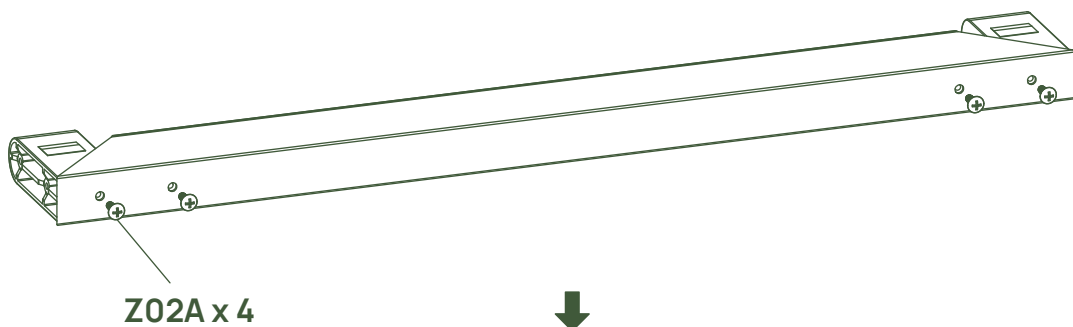
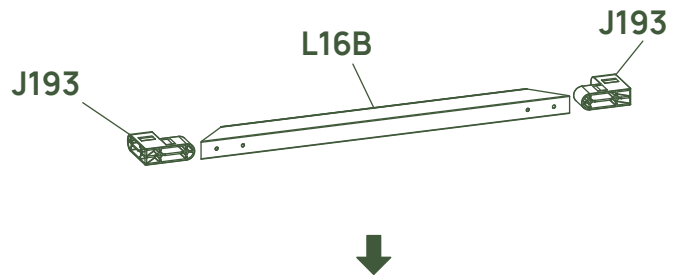
**Vent Assembly completed.**

# Door Assembly

## STEP 01

Begin by assembling the top and bottom edges of each door, by attaching two J193 pieces to each end of an L16 bottom frame piece.

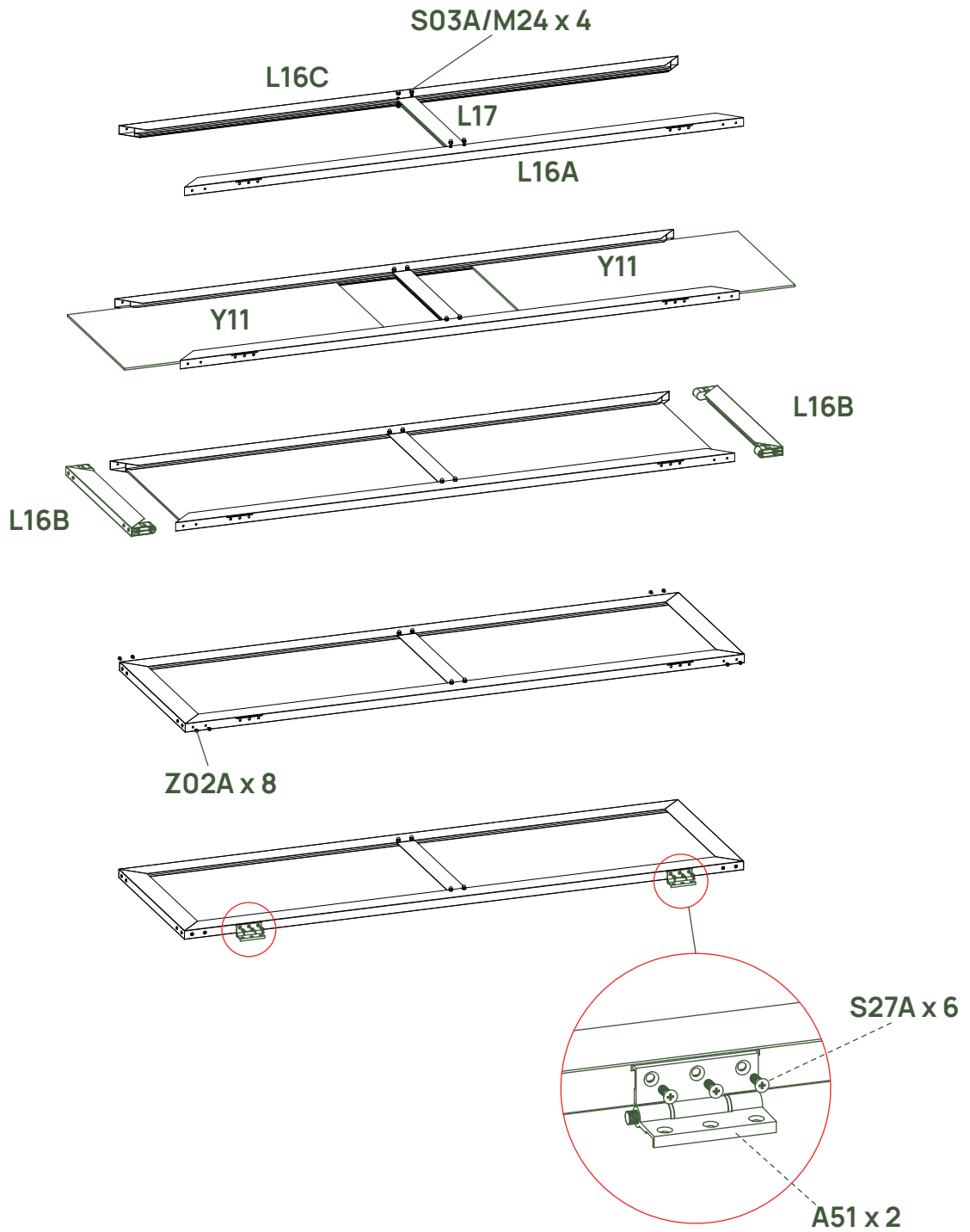
BOX	PART	NO	QTY
BOX 1		L16A	2
BOX 2		L16B	4
BOX 1		L16C	1
BOX 1		L18A	1
BOX 2		L17	2
BOX 2		J193	8
BOX 4		Y11	4
BOX 2		A51	4
		S03A M6X10	8
		M24 M6	8
		Z02A Ø4X16D	32
		H158	1



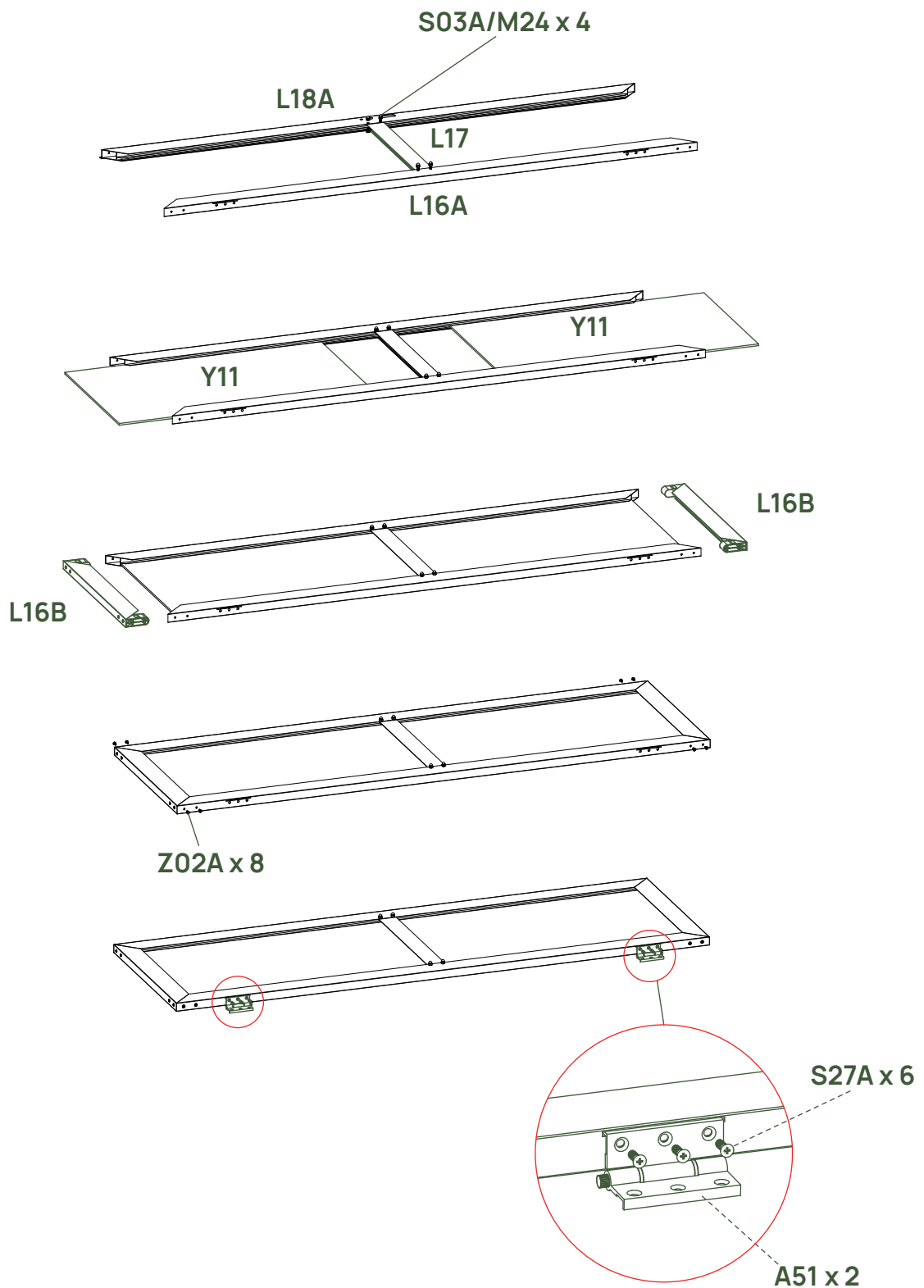
STEP  
**02**

Assemble the door side frames attaching the L17 center frame to the corresponding door side frames, L16C/L16A for the left door and L18A/L16A for the right door.






**Assembly instructions for DOOR-L**



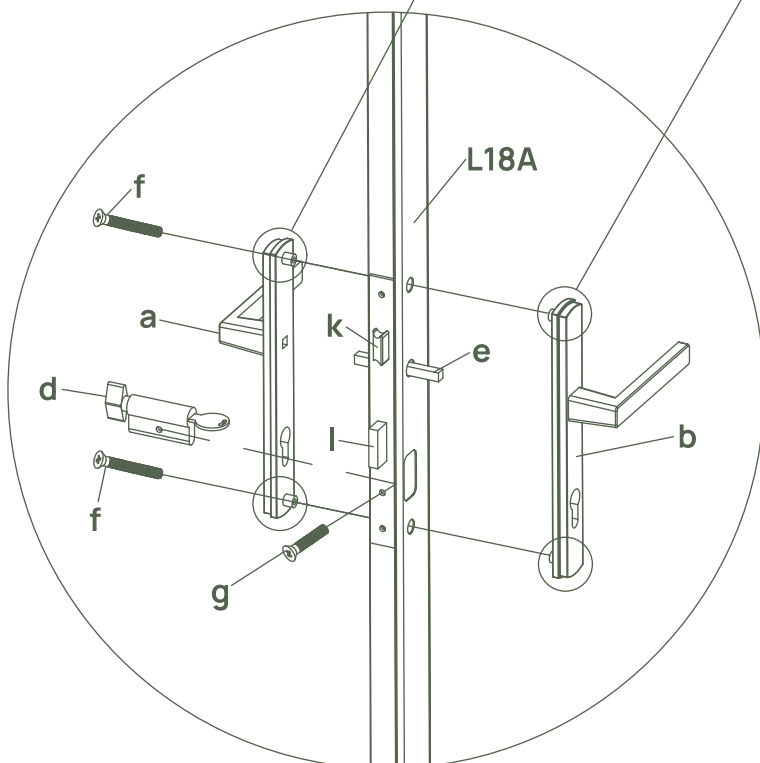
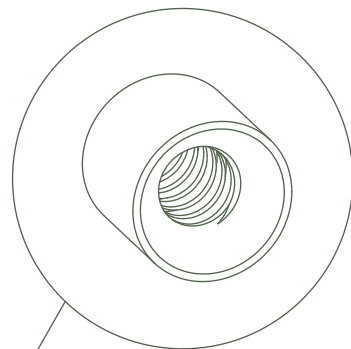
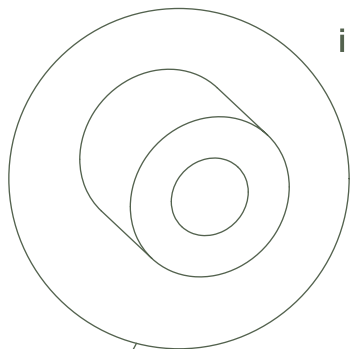
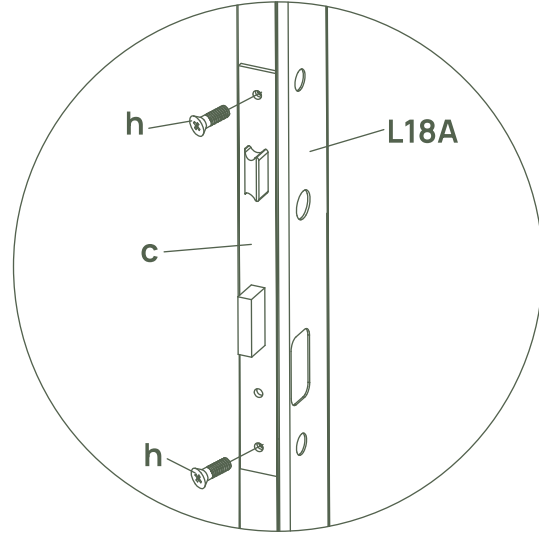
## Assembly instructions for DOOR-R



Secure the hinges to the door with S27 screws already installed in L16A pieces.

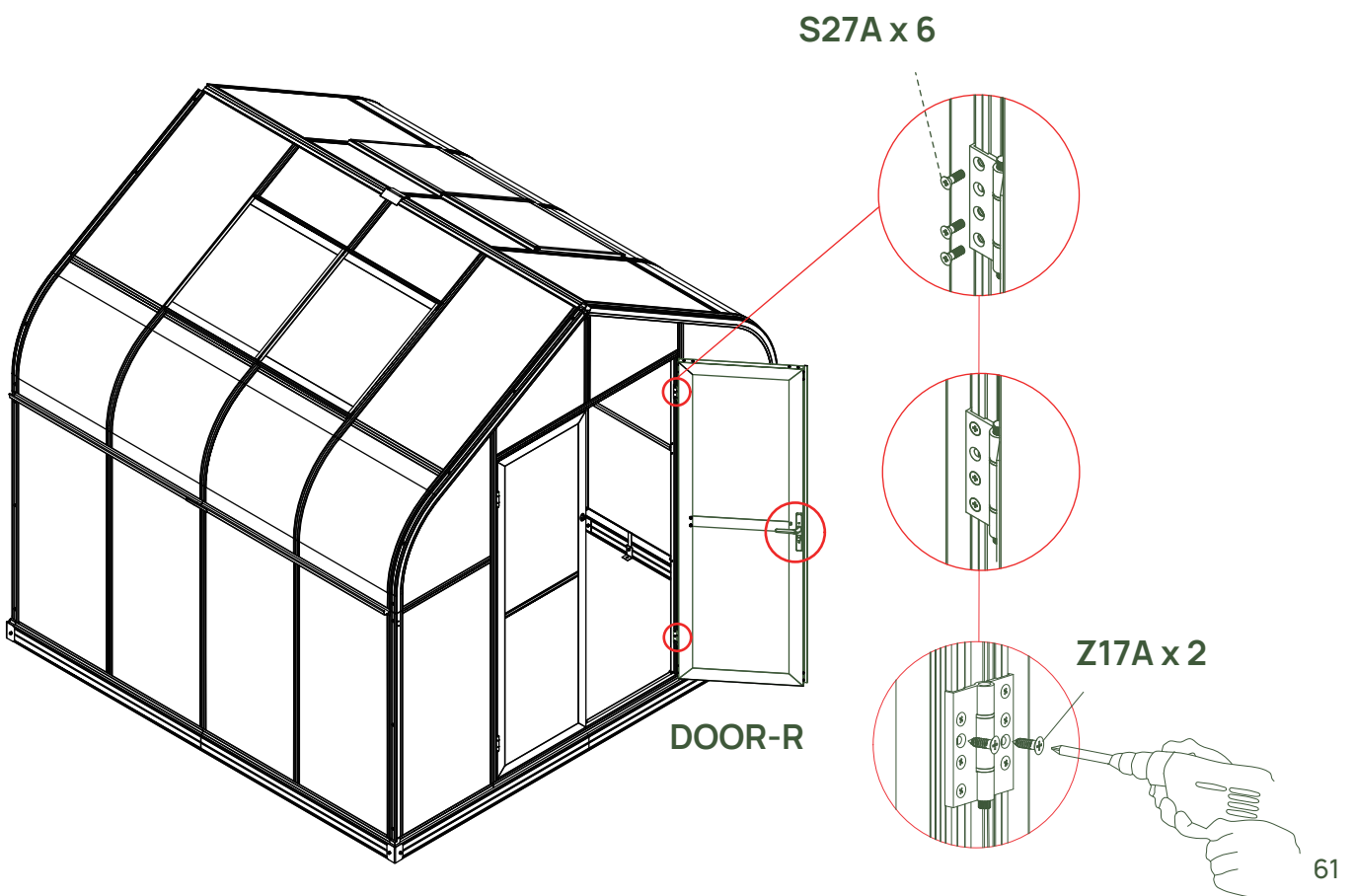
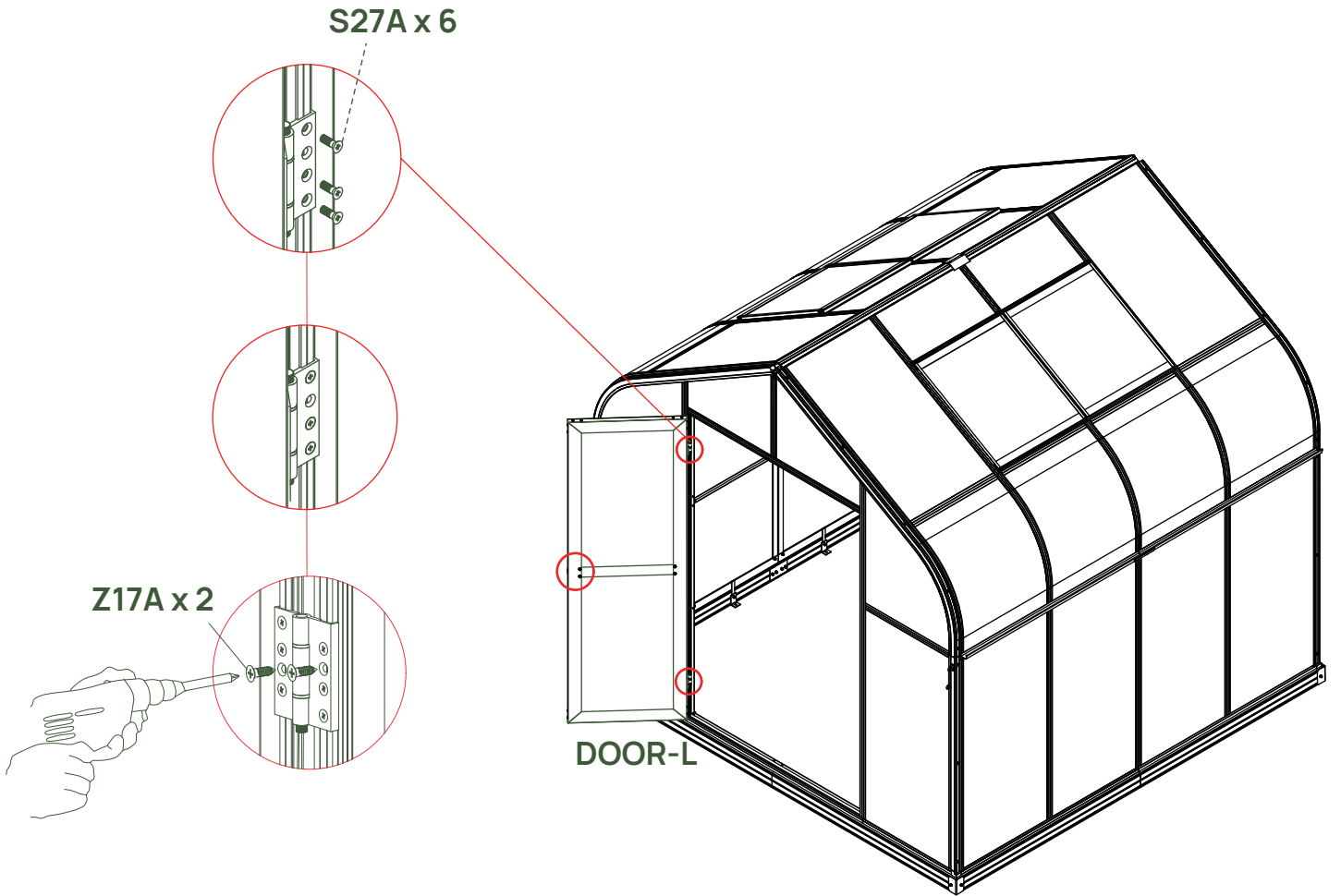
BOX	PART	NO	QTY
		DOOR-L	1
		DOOR-R	1
BOX 2		H199	1
		Z17 A M4.8X16	8
		S27 A M5X12	14

Disassemble the door lock and install it onto the right door. Make sure the keyhole faces outward and the handle rests horizontally as shown.



- a:** Interior Backplate with handle
- b:** Active Exterior Backplate with handle
- c:** Latch Plate
- d:** Lock Cylinder
- e:** Knob Spindle
- f:** Blackplate Bolt
- g:** Lock Cylinder Bolt
- h:** Latch Plate Bolt
- i:** Interior Backplate Nut
- j:** Exterior Backplate Nut with thread
- k:** Latch bolt
- l:** Deadbolt

**Note: Remove the S27 bolts from the door. Hold the door and affix the hinges to the door frame and secure with S27A bolts. Finally reinforce the structure with Z17 screws.**

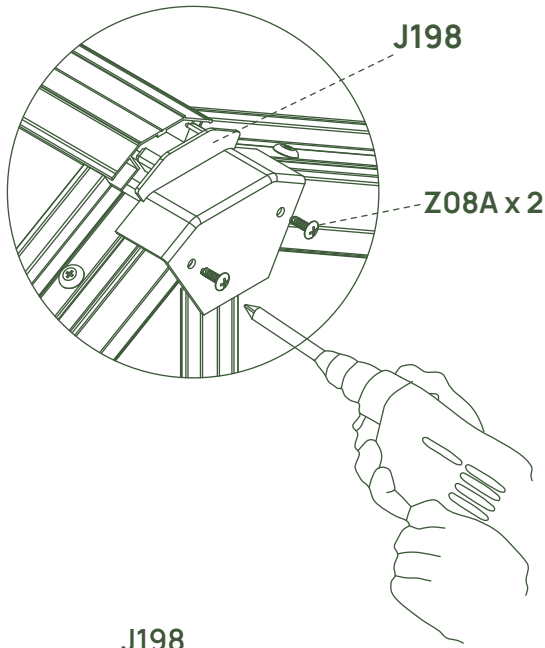


STEP











# 04

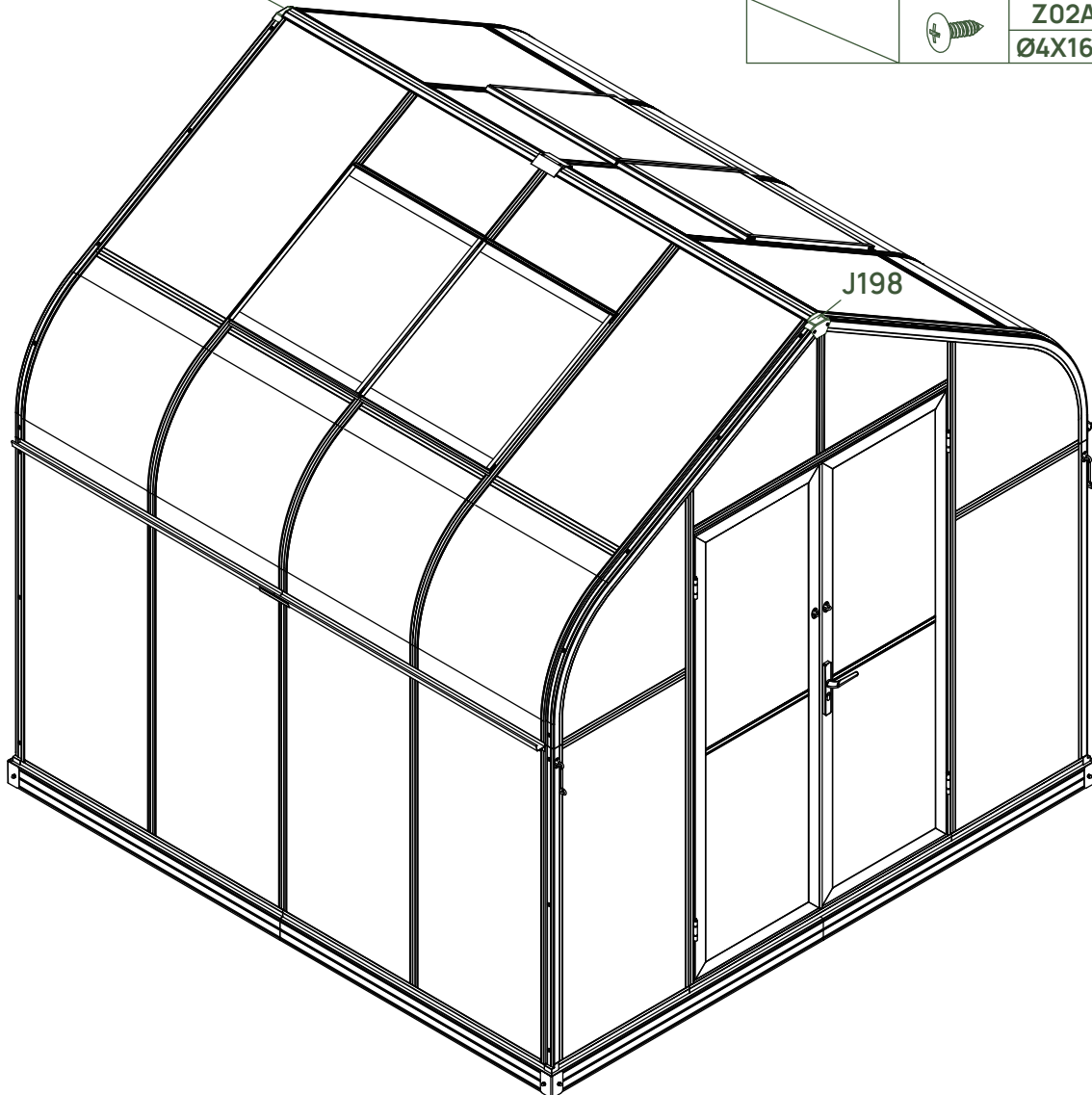
## Install Ridge End Caps

Attach ridge end caps to the front and back top corners of the greenhouse using Z08A screws.



J198

BOX	PART	NO	QTY
BOX 2		J198	2
BOX 2		J197R	2
BOX 2		J197L	2
BOX 2		J94	4
BOX 2		L25	4
BOX 2		J93	4
BOX 2		J199	4
BOX 2		H178	1
		Z08A M4.2X16	16
		Z02A Ø4X16D	4

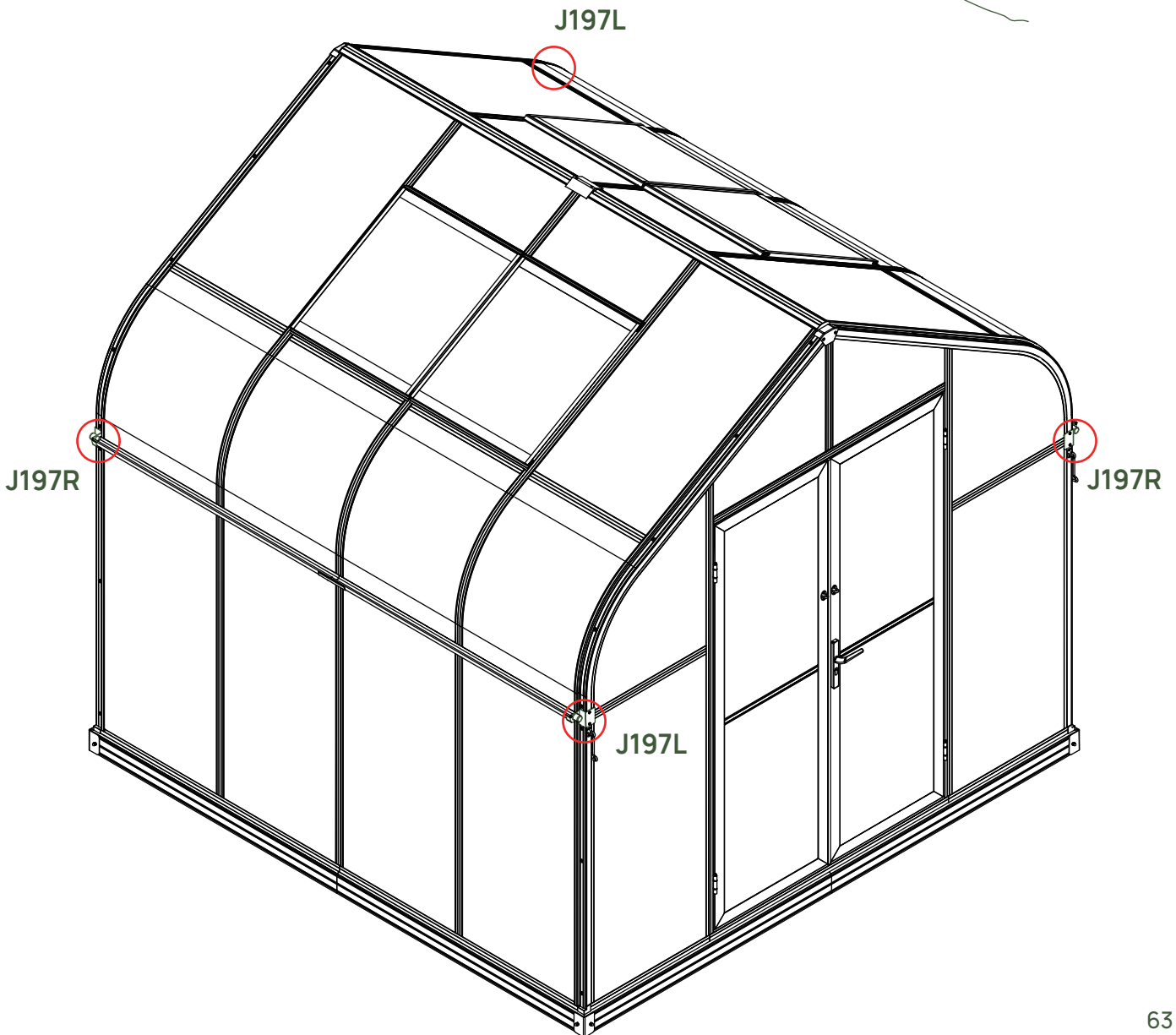
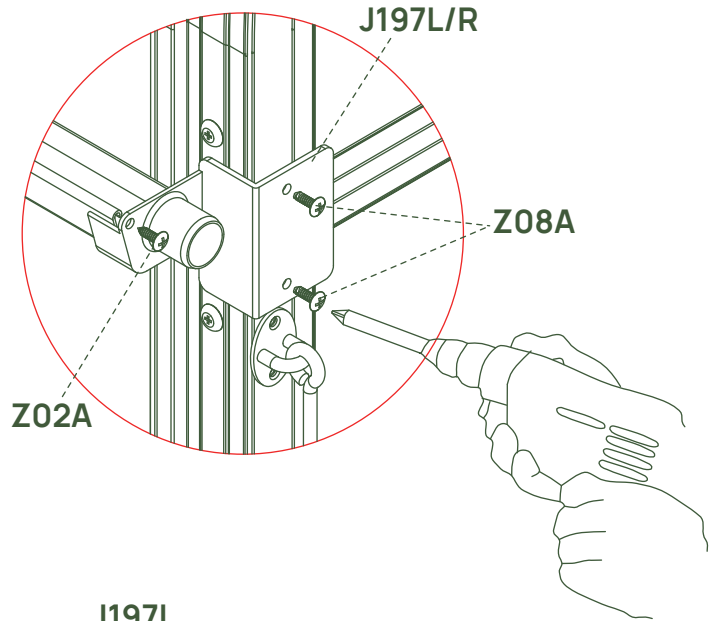


J198

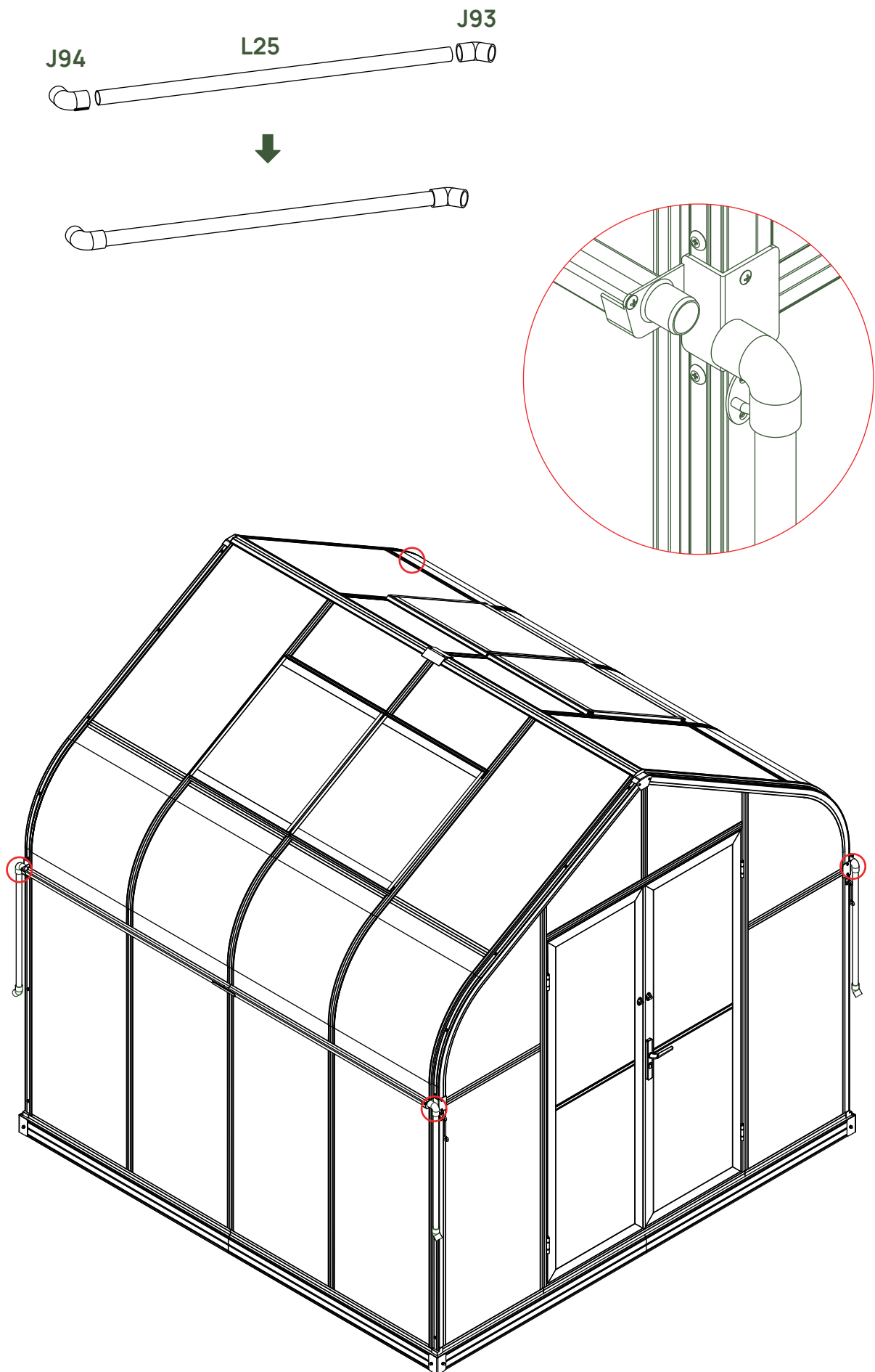
STEP

# 05 Drainage Pipe Assembly

Using Z08A screws, attach drainage pipe connectors to all four corners, noting placement in the image below.



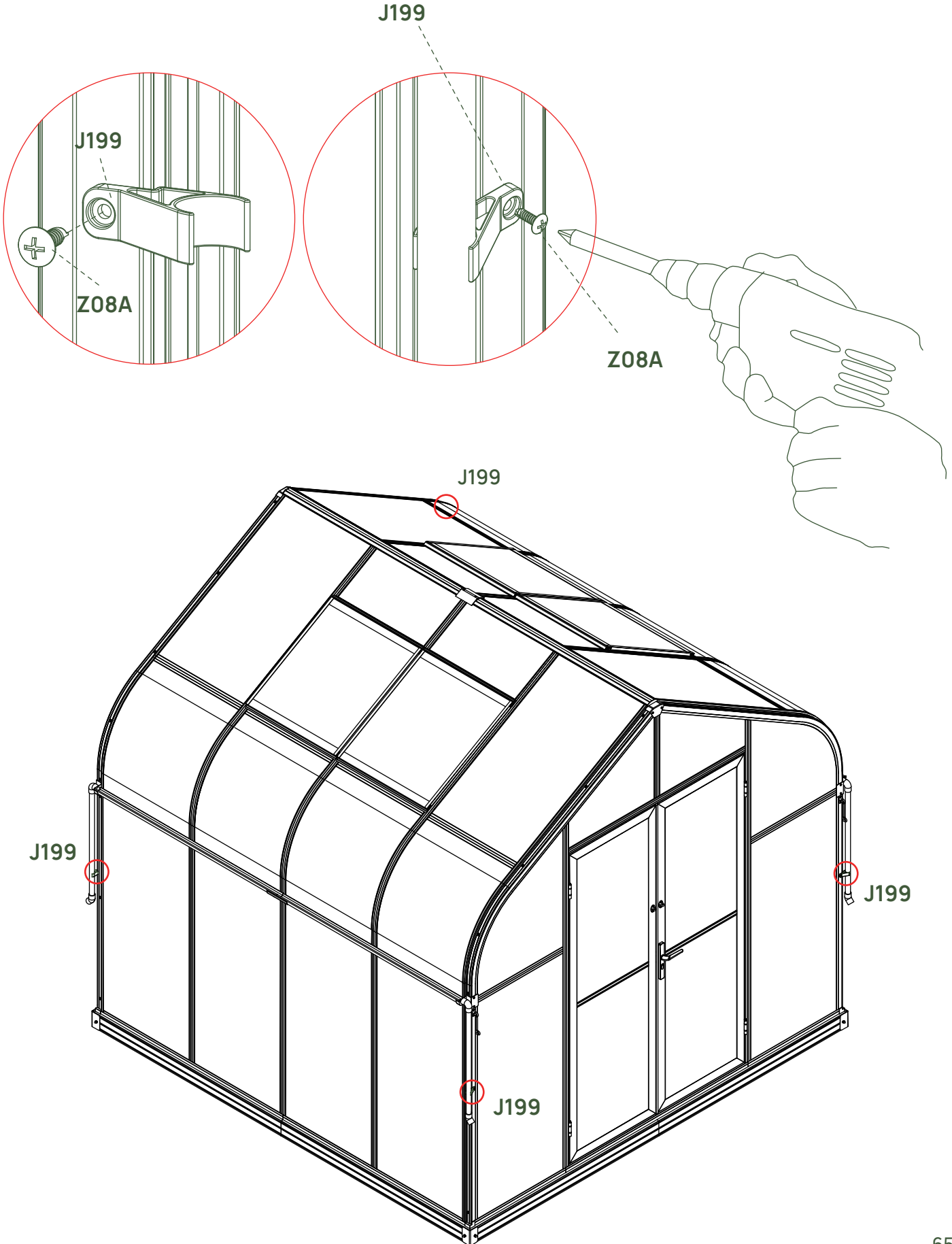
Push J94, L25 and J93 together as shown in diagram, and connect to each drainage pipe connector.



STEP

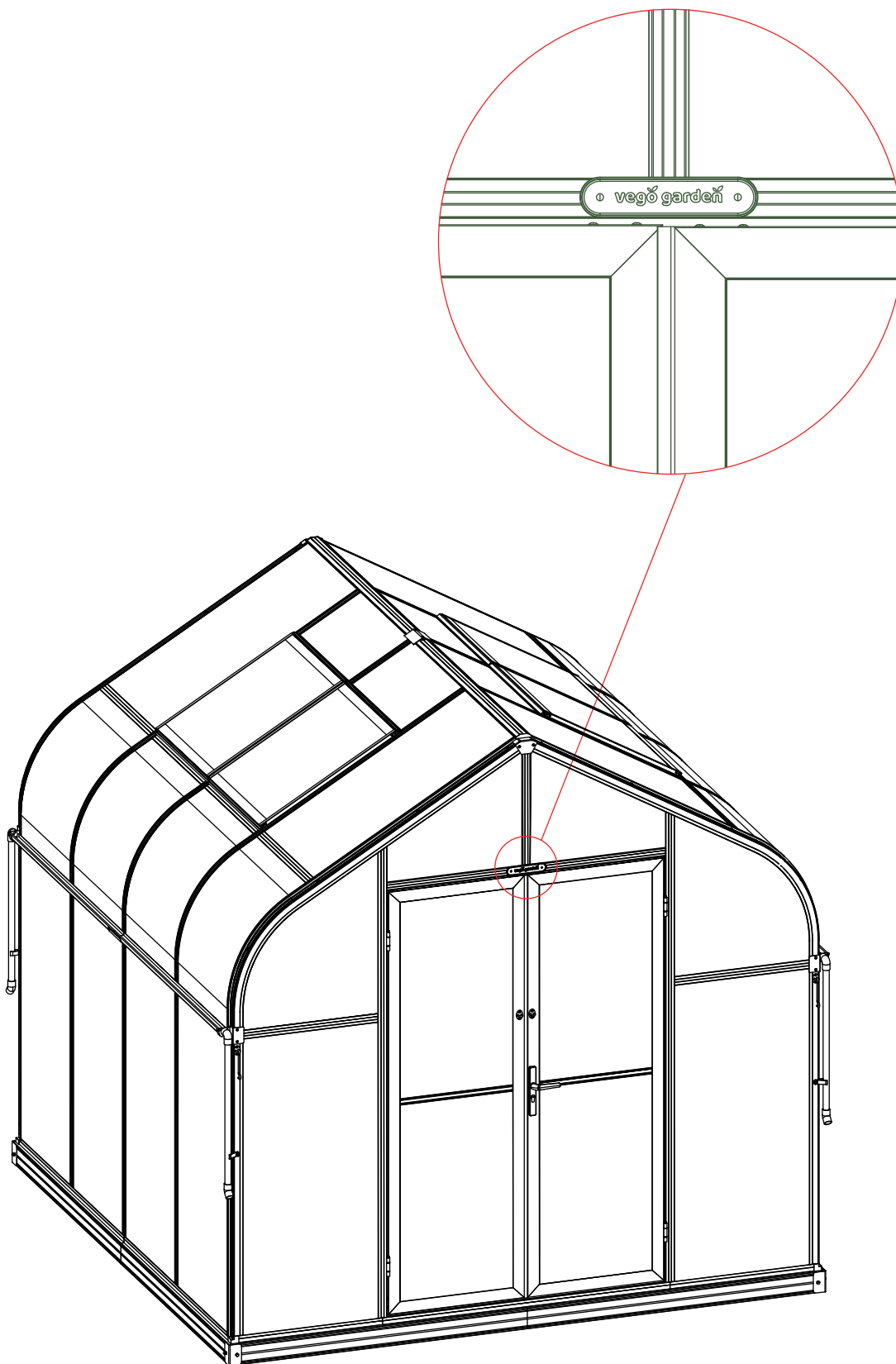
# 06 Drainage Pipe Bracket Assembly

Use Z08A screws to attach one drainage pipe bracket to each corner as shown.



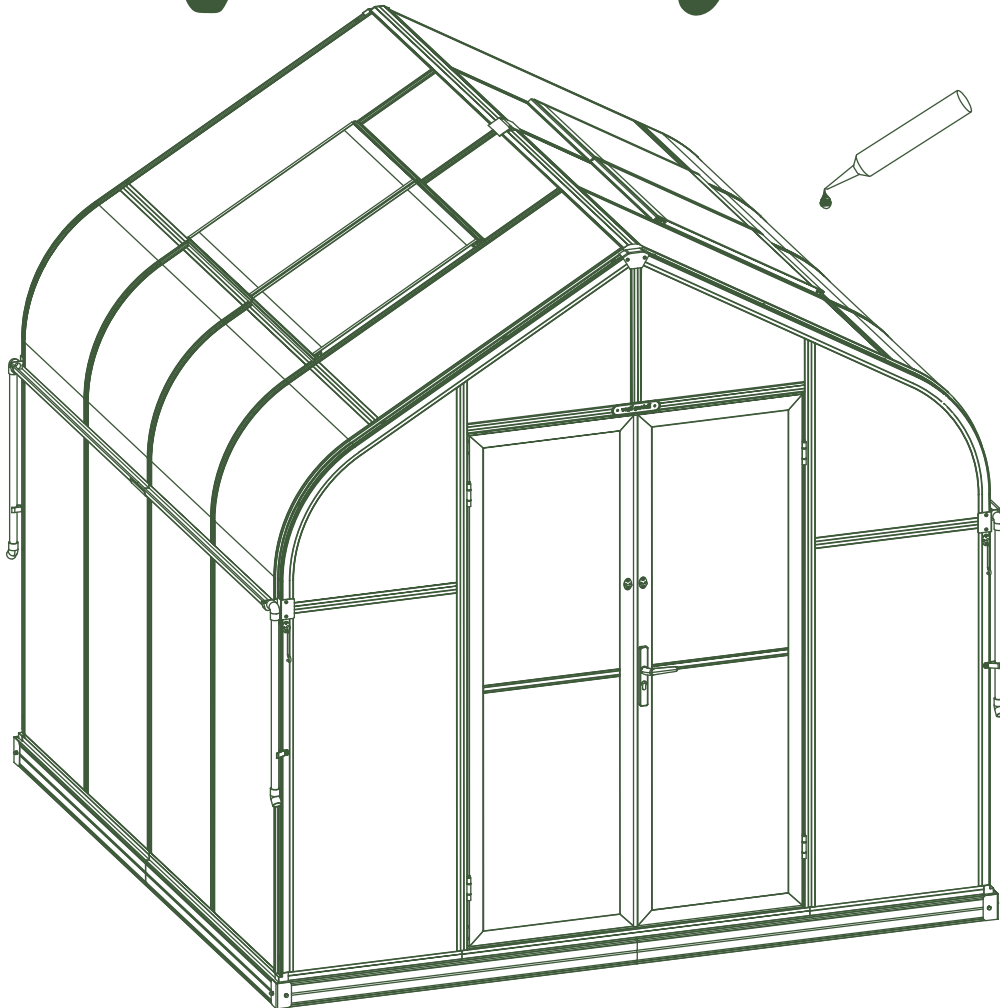
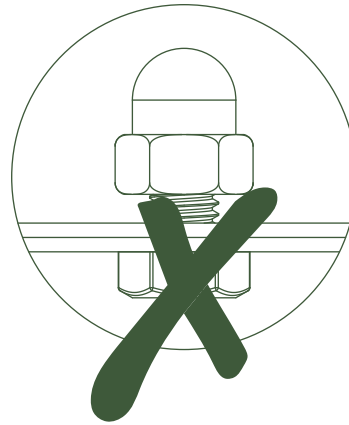
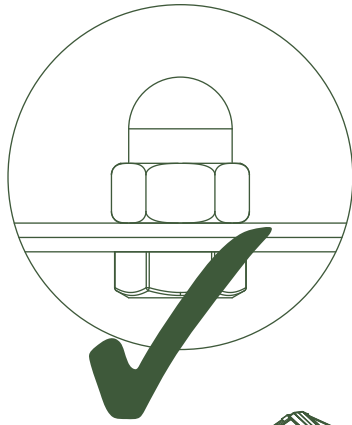
STEP  
**07**

Remove the protective film on the Vego Garden branding plate.



STEP  
**08**

Make a final pass through your greenhouse, and ensure all nuts are tightened. Apply silicone caulk around all the PC panels for water tightness.



**Now your greenhouse is ready to use!  
Happy gardening!**



# Gardening Made Easier. Anytime, Anywhere.



## Contact Us



+1 (866) 597-1888



Vego Garden Academy



hello@vegogarden.com



vegogarden.com



vego\_garden



Houston, TX