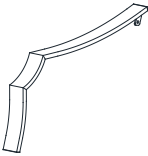

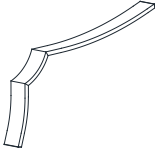



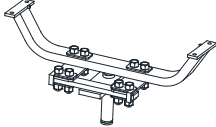











Ainsley 7 PC Dining Set - Swivel Rocker

Before You Begin

Please check to make sure you have the following (Total Qty for 6 Chairs):

Ref	Part Name	Part Image	Qty	Ref	Part Name	Part Image	Qty
A	Right Arm		6	H	Washer (M6)		36
B	Left Arm		6	I	Hex Wrench (M6)		2
C	Seat Bucket		6	J	Bolt Caps(M6)		36
D	T-Bar Bracket and Brace		6	K	Washer (M8)		24
E	Chair Base		6	L	Spring Washer(M8)		24
F	Long Bolt (M8x25)		24	M	Hex Wrench (M8)		2
G	Short Bolt (M6x15)		36	N	Bolt Caps (M8)		24



If you have any questions or concerns please call toll free at: 1-800-877-2290 / Fax: 1-800-733-4257, Monday through Friday, between 8:00 a.m. and 5:00 p.m., Central Standard Time.

Assembly Instructions

TO AVOID POTENTIAL SCRATCHING TO PARTS BY ROUGH GROUND SURFACE, COVER GROUND WITH SOFT SMOOTH PROTECTIVE MATERIAL ON WHICH TO PLACE PARTS DURING ASSEMBLY.

Step 1:

Remove protective wrapping and lay all parts on floor. Identify all parts packed in carton against attached parts list.

Step 2:

Attach Left Arm (B) to Seat Bucket (C) together with Short Bolts (G), Washers (H), using Hex Wrench (I) to thread bolts into frame as shown in Diagram 1. Use Bolt Covers (J) to cover Short Bolts (G).

Step 3:

Attach Right Arm (A) to Seat Bucket (C) together with Short Bolts (G), Washers (H), using Hex Wrench (I) to thread bolts into frame as shown in Diagram 2. Use Bolt Covers (J) to cover Short Bolts (G).

Step 4:

Lay assembled arms/bucket upside down and then attach T-Bar Bracket & Brace (D) to Bucket (C) with Long Bolts (F), Spring Washers (L) and Washers (K), using Hex Wrench (M) to thread bolts into frame as shown in Diagram 3.

Step 5:

Make sure all bolts in the bucket assembly and brace are tightened securely. Then turn the bucket upright and with both hands holding the arms, insert T-Bar (D) into Chair Base (E) as shown in Diagram 4. Press down forcefully on chair arms to make sure bar is fully inserted and evenly into the base. Afterward, use Bolt Covers (N) to cover Long Bolts (F).

HELPFUL TIP: When attaching frame parts together, first loosely thread all bolts into their attachment points and make sure all parts and bolts fit in place properly. Then go back to fully and securely tighten all bolts accordingly. Tightening first bolt immediately without all frame parts and bolts positioned in place may cause frame parts not to fit properly and make assembly difficult.

NOTE: IT IS USER'S RESPONSIBILITY TO MAKE SURE ALL PARTS ARE ASSEMBLED PROPERLY AND PARTS TIGHTENED SECURELY BEFORE USING FURNITURE.

Diagram 1

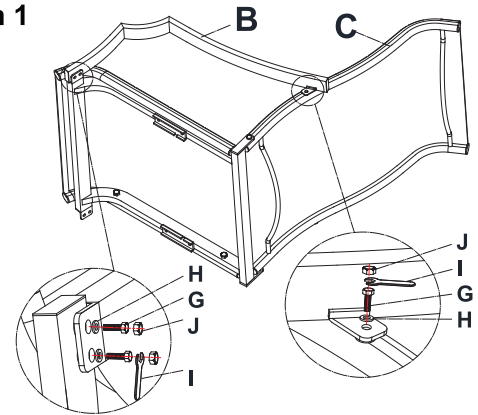


Diagram 2

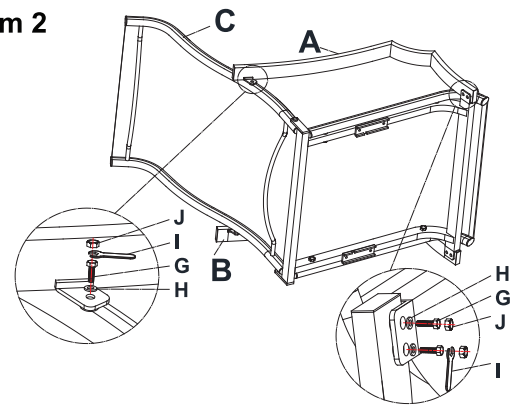


Diagram 3

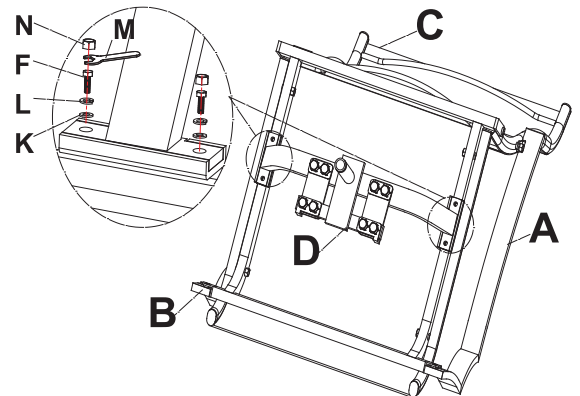
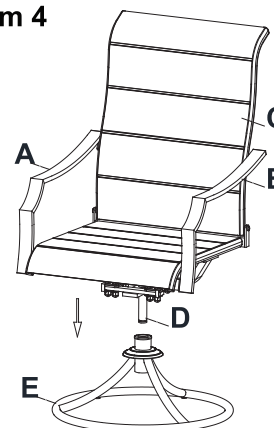


Diagram 4



Care and Maintenance Instructions:

To maintain the beauty of your Living Accents furniture, wipe with a clean, damp cloth before each use. When not in use, protect your furniture with a Living Accents outdoor furniture cover. Visit your local retailer for a wide product selection.

Limited One Year Warranty**What is covered under this warranty?**

This product is covered under the Manufacturers Limited Warranty. To ensure your complete satisfaction, this warrants to the original purchaser that this furniture is free from defects in material and workmanship as of the date of purchase and that it will, under normal use and proper care, remain so for one year after the date of purchase. Replacement of missing or initially defective parts will be sent at no charge for a period of 10 days from date of purchase. The manufacturer and retailer will not be responsible for missing parts and/or hardware after 10 days from date of purchase.

Warranty does not cover:

Freight and packaging charges to and from our customer service center remain the customer's responsibility. Labor or material charges to remove or replace parts are not covered under this warranty. Any floor sample sales or clearance sales from the store are not covered by this warranty. Furniture used for commercial purposes; failures caused by improper care; unreasonable or abusive use; damage by modification or alteration; freeze damage; acts of nature; rust; fabric stains; ripping or fading; purchased parts; or return freight and packaging charges are not covered under this warranty. Proof of purchase (dated register receipt) is required for warranty claims.

How to obtain service:

If you have any questions or concerns please call toll free at: 1-800-877-2290 / Fax: 1-800-733-4257, Monday through Friday, between 8:00 a.m. and 5:00 p.m., Central Standard Time.

Printed in China