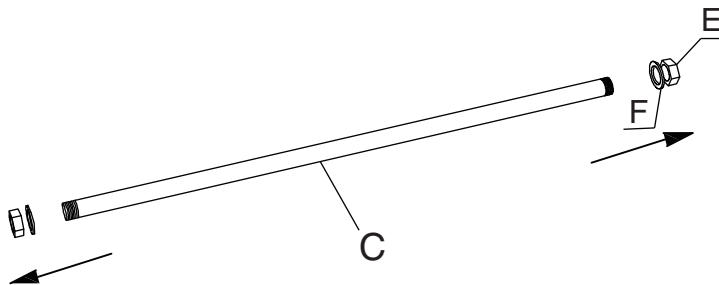


OUTDOOR POLYWOOD TABLE ASSEMBLY INSTRUCTIONS

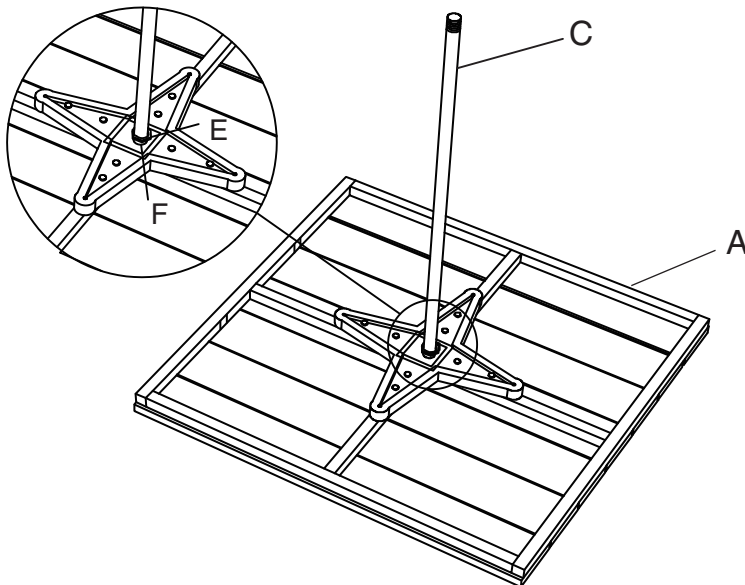
ASSEMBLY INSTRUCTIONS

- Prior to assembly, make sure you lay out and identify all the parts listed below in the parts list.
- Tighten all bolts securely. All bolts should be hand tightened before use. Never use power tools or excessive force during assembly and tightening of bolts.
- Warning:
 1. Make sure the Table is located on a solid, level surface.

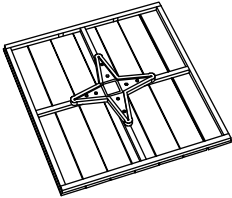
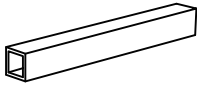
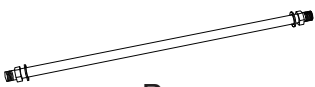




1. Loosen Part E & Part F from Part C.



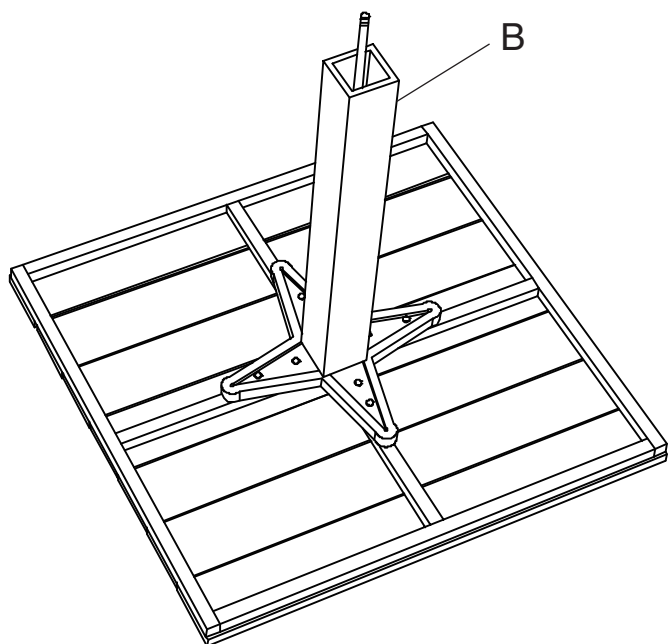
2. Fix Part C to the Part A using Screw E & Washer F as shown in diagram.



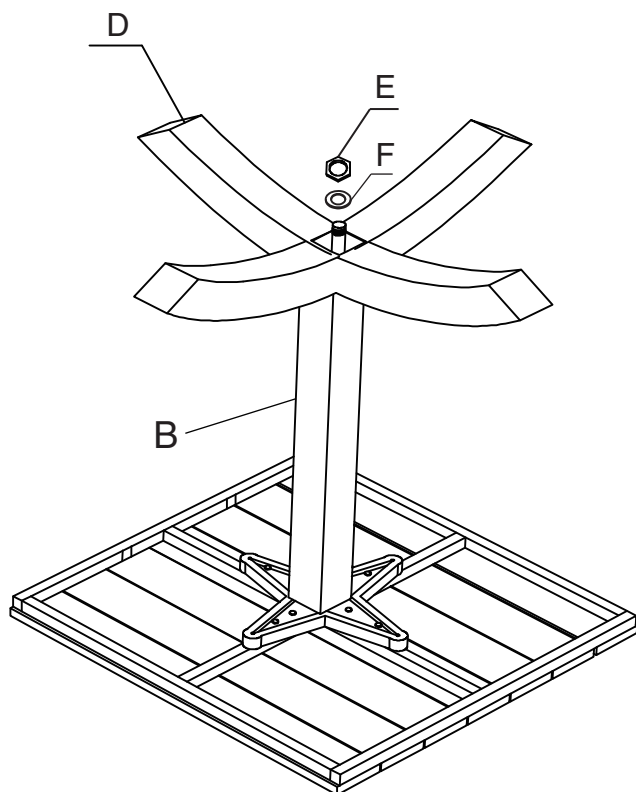
Part List

	A 1pc
	B 1pc
	C 1pc
	E Screw 2pc
	F Washer 2pc
	D 1pc
	Wrench

- 3.** Put Part B on the Part A to cover Part C as shown in diagram.



- 4.** Put Part D on the Part B .
Then fix Part D using Screw E&
Wansher Fas shown in diagram.



- 5.** In the end,check to make sure all srews
are fixed tightly before use.

