

ASSEMBLY INSTRUCTIONS



Fine Furniture for every stage of life

Dining Table

REVISION 0: 06/19/2011
REVISION 1: 09/13/2011
REVISION 2: 05/05/2020

PAGE 1 OF 3

ASSEMBLY INSTRUCTIONS

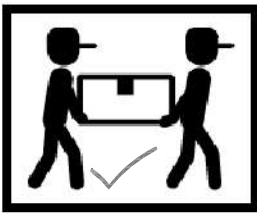
ASSEMBLY TIPS :

1. Remove hardware from box and sort by size.
2. Please check to see that all hardware and parts are present prior to start of assembly.
3. Please follow attached instructions in the same sequence as numbered to assure fast & easy assembly.



WARNING !

1. Don't attempt to repair or modify parts that are broken or defective. Please contact the store immediately.
2. This product is for home use only and not intended for commercial establishments.



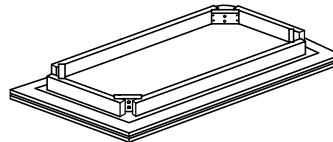
ASSEMBLY TIME

10 MINUTES

PARTS IDENTIFICATION

A

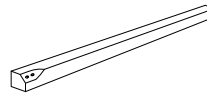
TOP



1PC

B

LEG

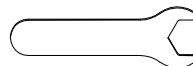


4PCS

HARDWARE IDENTIFICATION

1

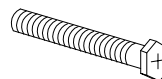
WRENCH
(12.8MM - RBW)



1PC

2

HEX BOLT
(M8 x 60MM - SILVER)



8PCS

3

LOCK WASHER
(5/16" - RBW)



8PCS

4

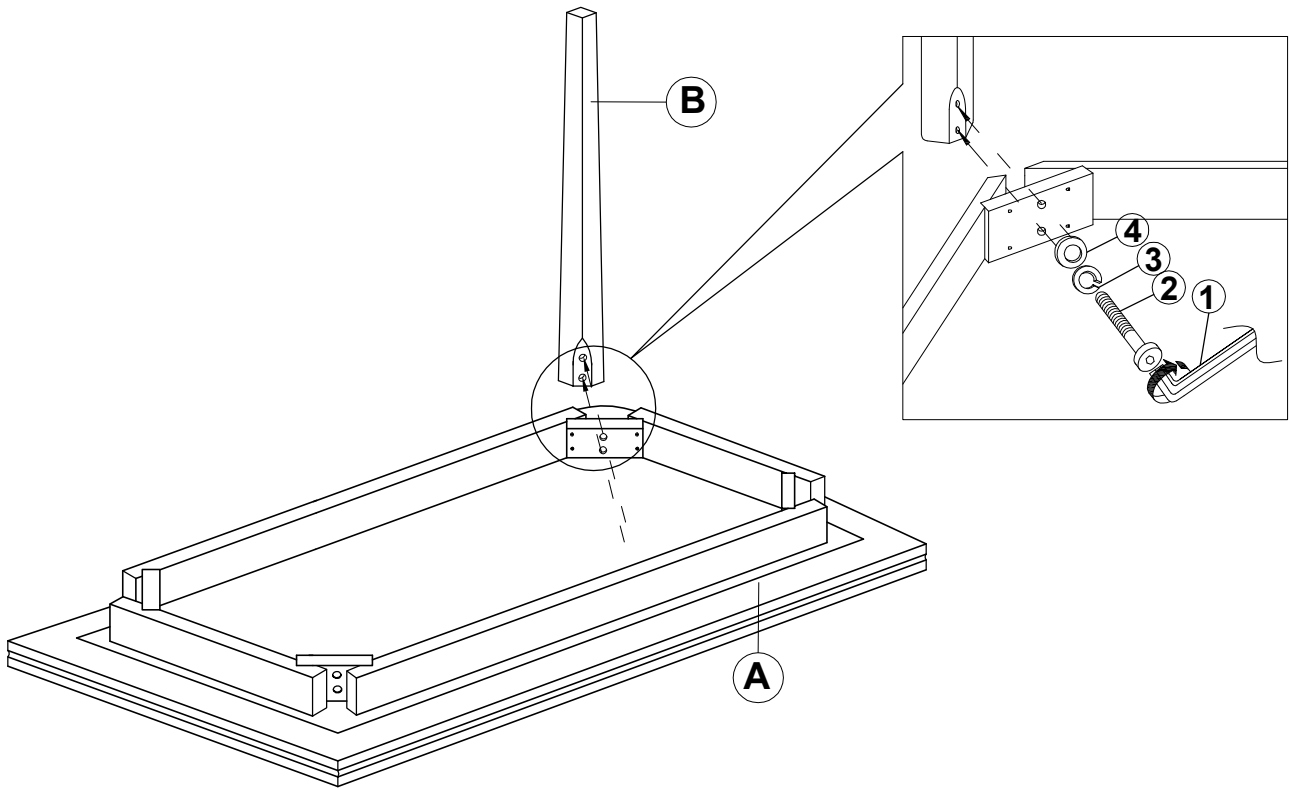
FLAT WASHER
(5/16" - RBW)



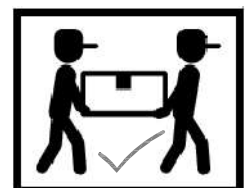
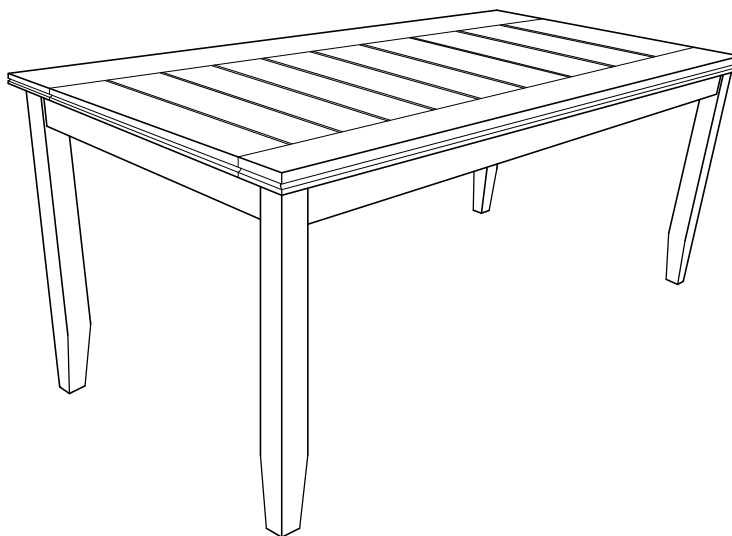
8PCS

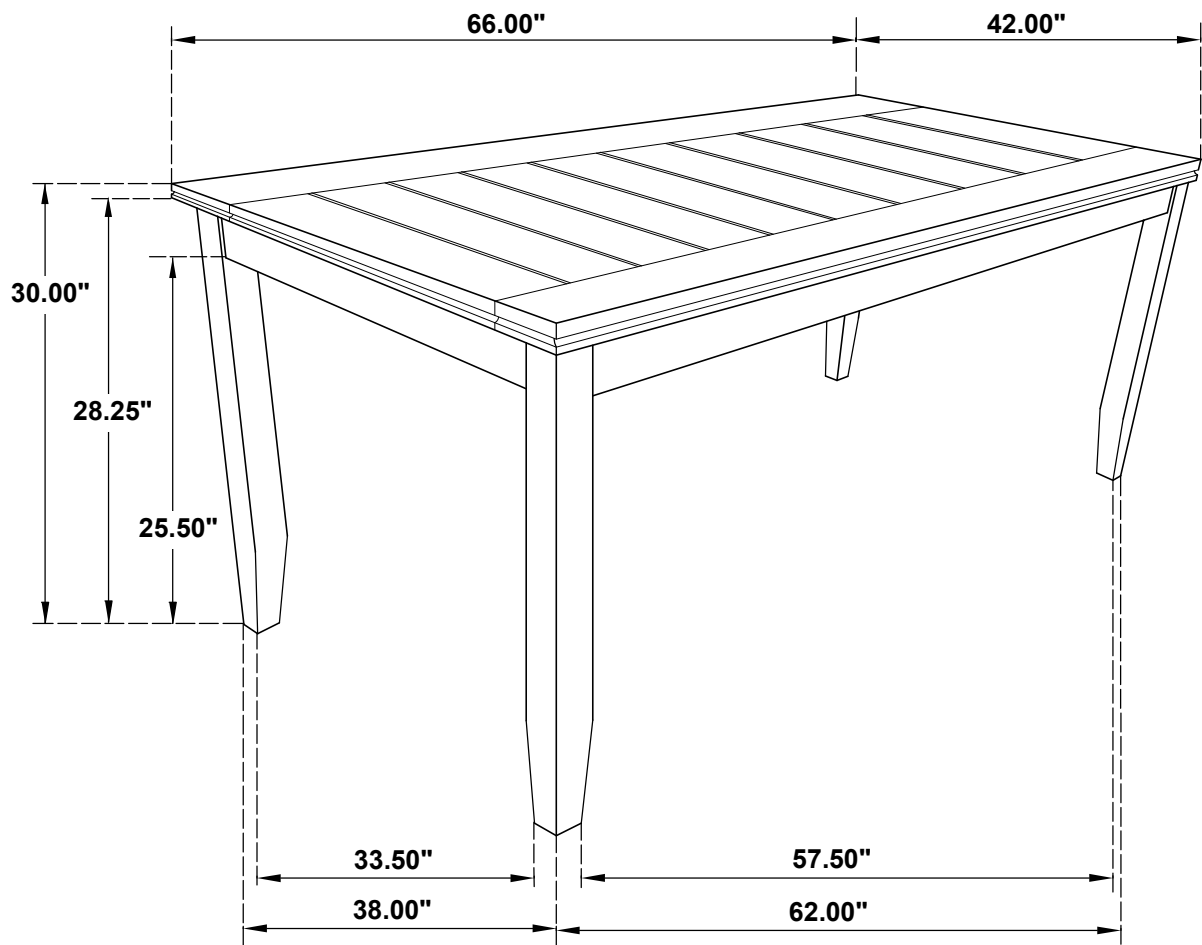
ASSEMBLY INSTRUCTIONS

STEP 1



STEP 2 **COMPLETE**





Note: Dimension tolerance $\pm 5\%$