

Installation & Assembly



Coated with matte finish

Synthesize with varnish as main and matte agent as auxiliary

The board is coated with polymer emulsion

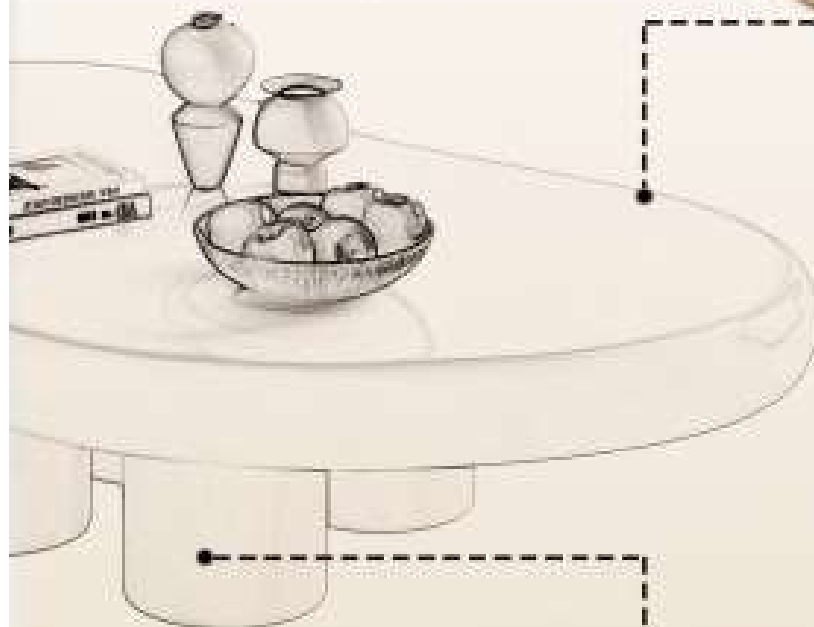
As a base coat polished for 6 times

Polishing undercoat

Polish with waterproof sandpaper and abrasive cloth

Medium density fiberboard

Not easy to deform or crack



Coated with matte finish

Synthesize with varnish as main and matte agent as auxiliary

Polyvinyl chloride base

waterproof and damp-proof

Guide To Assembly

Thank you for purchasing this product. Please read these instructions fully before starting assembly, then follow the simple step by step guide.

TOP TIPS BEFORE YOU START

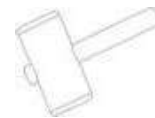
1. Please check that all parts & hardware are present before you start the assembly of your furniture. Do not destroy any of the packaging until you are certain that you have all the necessary parts for assembly.
2. For ease and speed of assembly, we recommend that before you commence each step of the assembly, please identify all the parts required for that step.
3. We recommend that where possible, all items are assembled near to the area in which they will be placed in use, to avoid moving the product unnecessarily once assembled.
4. For the protection of your furniture, particularly items of high gloss finish, we recommend that the product is placed on a protected surface during assembly to prevent any damage.
5. During assembly please take care not to over-tighten any fittings, as this may damage the product.
6. Keep children and animals away from the work area, small parts could cause choking if swallowed.

Tools Required For Assembly

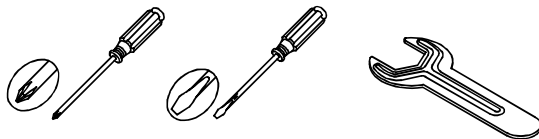


DO NOT USE POWER TOOLS TO ASSEMBLE THIS PRODUCT. USE OF POWER TOOLS WILL INVALIDATE ANY CLAIM AND MAY DAMAGE THIS PRODUCT MAKING IT UNSAFE.

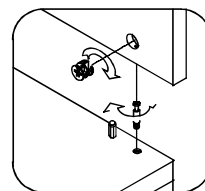
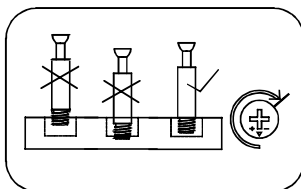
Rubber Hammer

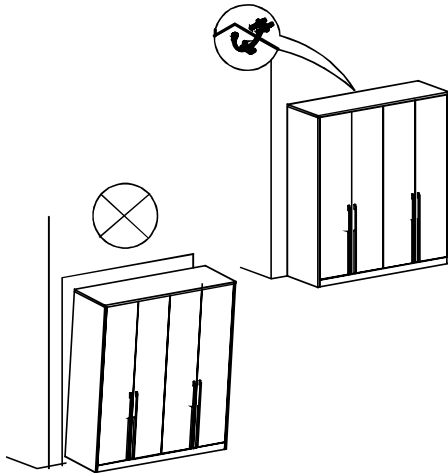


Self-provided general tool diagram:

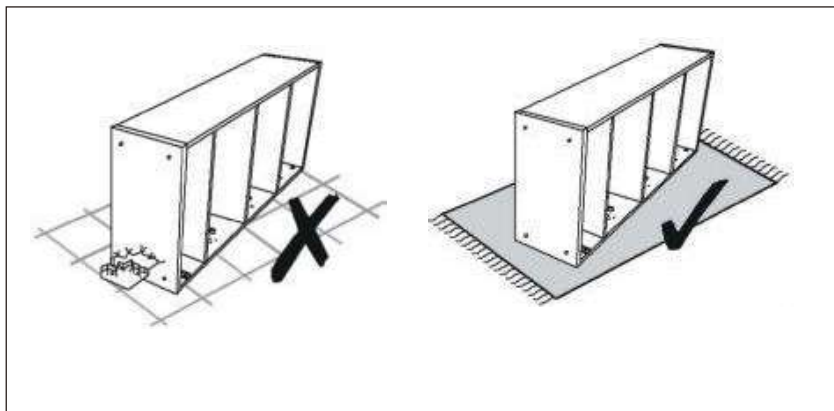
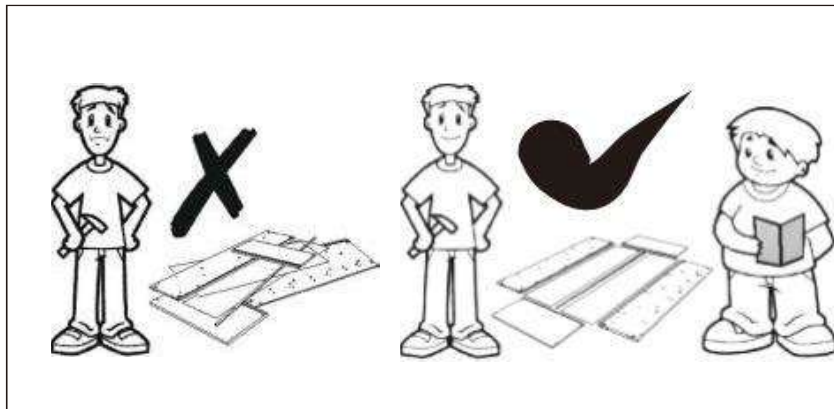


Tape Measure





matters needing attention



Installation Hardware

H1129



**Flat-head inner
hexagon screws**

M8*25 4PCS

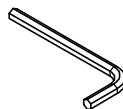
H1511



M8*18 Flat gasket

4PCS

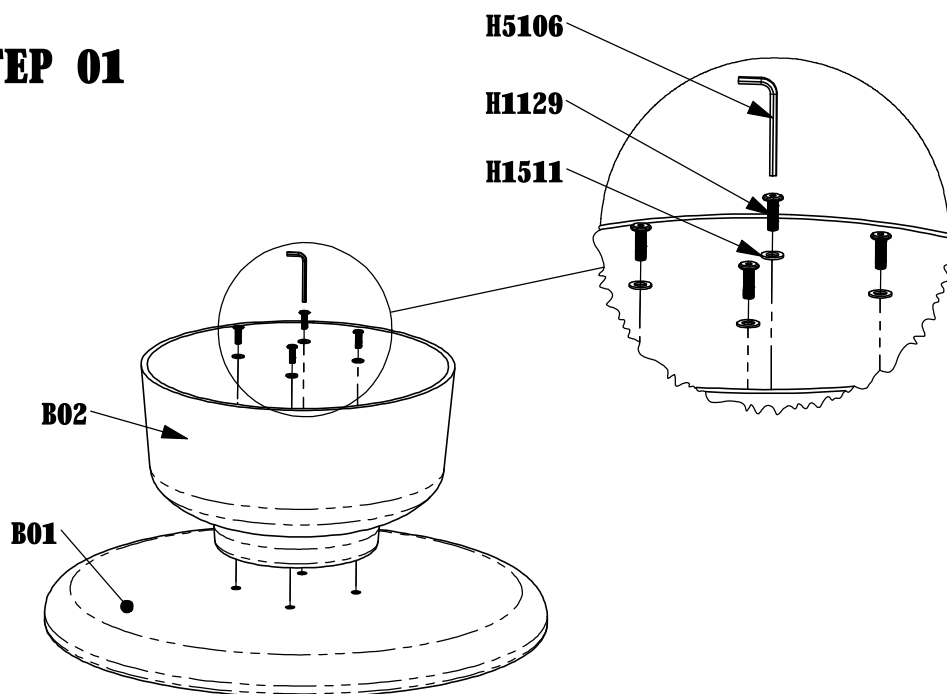
H5106



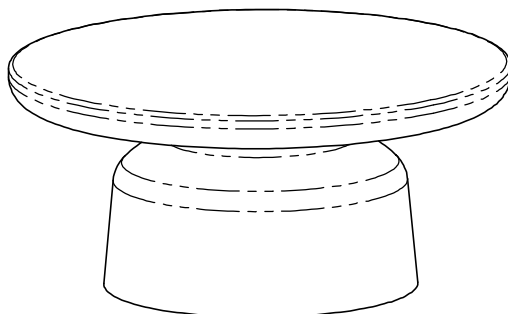
L-shaped wrench 5#

1PCS



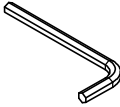

STEP 01



STEP 02



After sales Hardware List

| | | | |
|---|---|---|--|
| <p>H1129</p>  <p>Flat-head inner hexagon screws M8*25 4PCS</p> | <p>H1511</p>  <p>M8*18 Flat gasket 4PCS</p> | <p>H5106</p>  <p>L-shaped wrench 5# 1PCS</p> | <p>H1245</p>  <p>Four-jaw nut M8*14 4PCS</p> |
|---|---|---|--|

List of After Sales Parts

B01*1 Table top

B02*1 Table base

