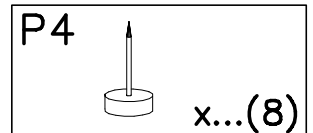
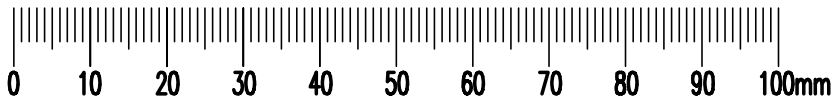
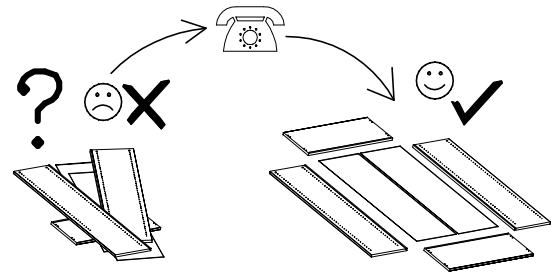
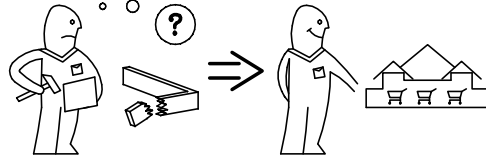
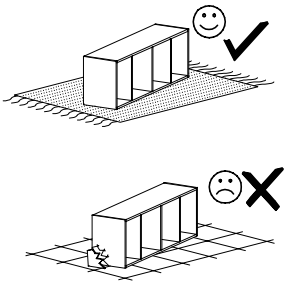
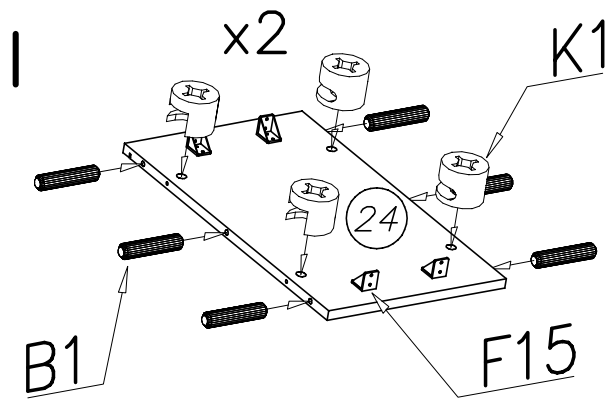
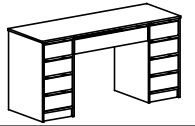


nr	L[mm]	B[mm]	T[mm]	Menge	Colli
1	1523	536	16	1	2/2
2	738	528	16	1	1/2
3	738	528	16	1	1/2
4	738	528	16	1	1/2
5	738	528	16	1	1/2
6	318	527	16	2	2/2
7	813	244	16	1	2/2
8	318	79	16	4	2/2
9	312	135	16	8	2/2
10	807	135	16	1	2/2

nr	L[mm]	B[mm]	T[mm]	Menge	Colli
11	285	100	12	8	1/2
12	763	100	12	1	1/2
13	295	401	3	8	2/2
14	773	401	3	1	2/2
15	649	330	3	2	2/2
16	400	100	12	8	1/2
17	400	100	12	8	1/2
18	400	100	12	1	1/2
19	400	100	12	1	1/2



<p>G20</p> <p>5x11 x...(40)</p>	<p>K4</p> <p>∅12x10 x...(2)</p>	<p>H24</p> <p>H35-400mm x...(1)</p>	<p>M8</p> <p>400mm x...(1)</p>	
<p>N1</p> <p>M4x9 x...(16)</p>	<p>A6</p> <p>∅7x40 x...(32)</p>	<p>H5</p> <p>400mm x...(16)</p>		
<p>K1</p> <p>∅15x12 x...(16)</p>	<p>W1</p> <p>GLUE, LEIM, LEPIDLO, LIM x...(5)</p>	<p>A1</p> <p>∅7x50 x...(4)</p>	<p>I1</p> <p>x...(12)</p>	<p>G34</p> <p>3,5x16 x...(34)</p>
<p>K10</p> <p>x...(18)</p>	<p>B1</p> <p>∅8x35 x...(24)</p>	<p>W2</p> <p>x...(1)</p>	<p>F15</p> <p>x...(8)</p>	<p>I7</p> <p>∅18 x...(16)</p>



G34

3,5x16

x...(8)

G20

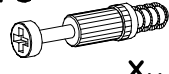
5x11

x...(16)

P4

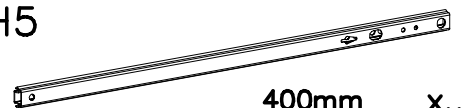
x...(4)

K10



x...(4)

H5



400mm

x...(8)

B1

∅8x35

x...(18)

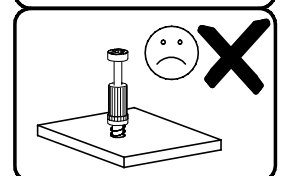
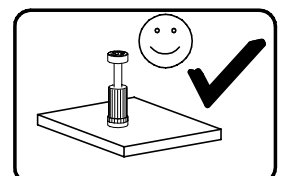
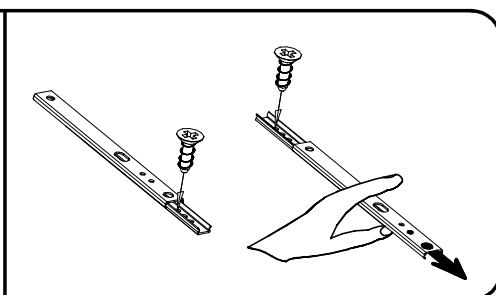
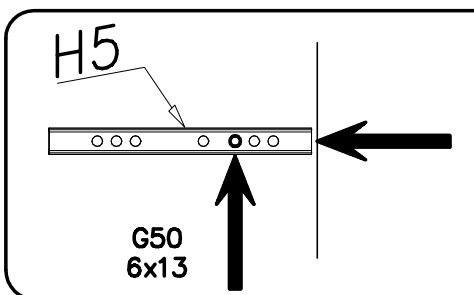
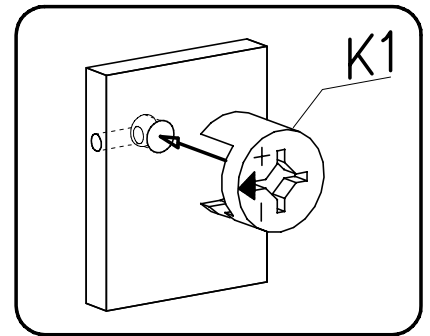
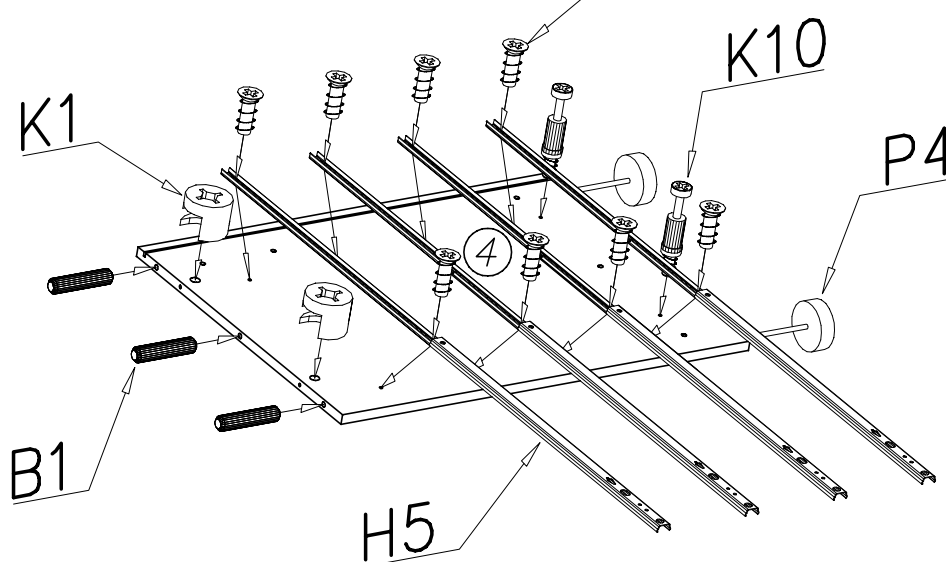
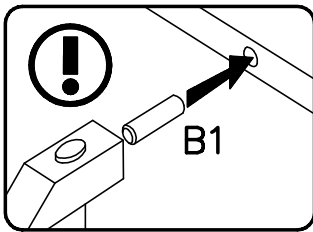
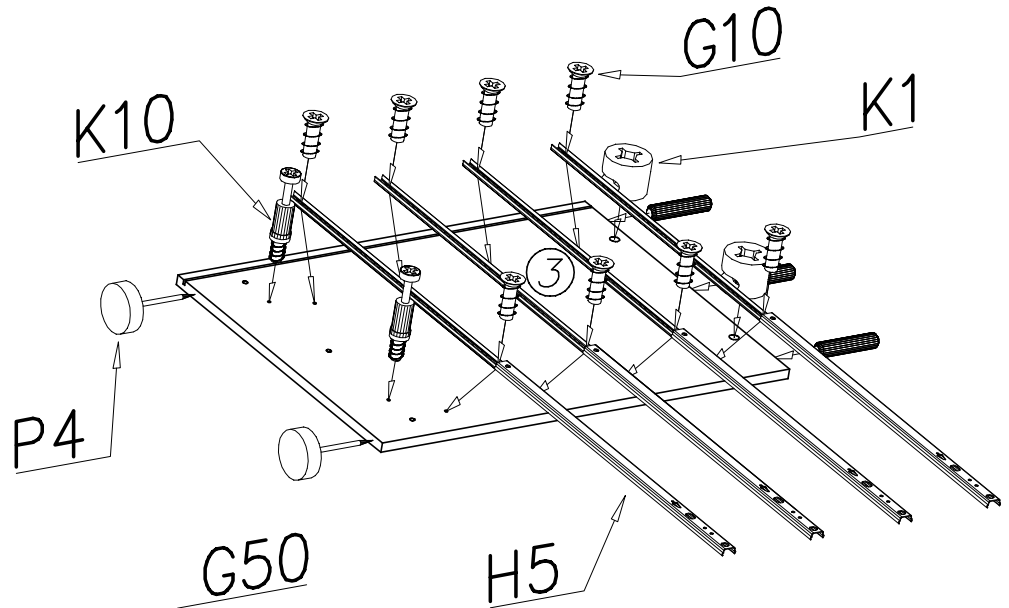
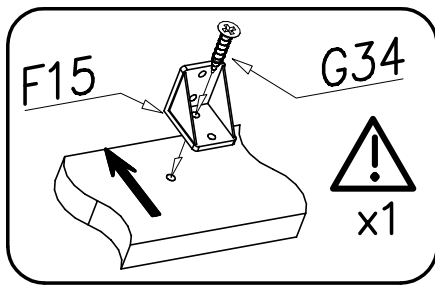
K1

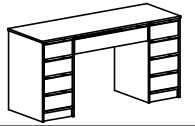
∅15x12

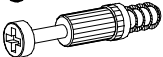
x...(12)


F15


x...(8)








K10  x...(4)

K1  x...(8)

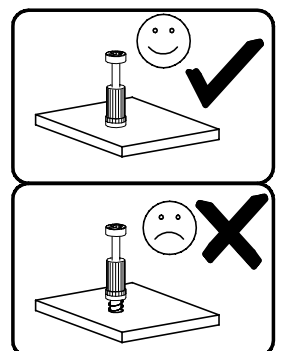
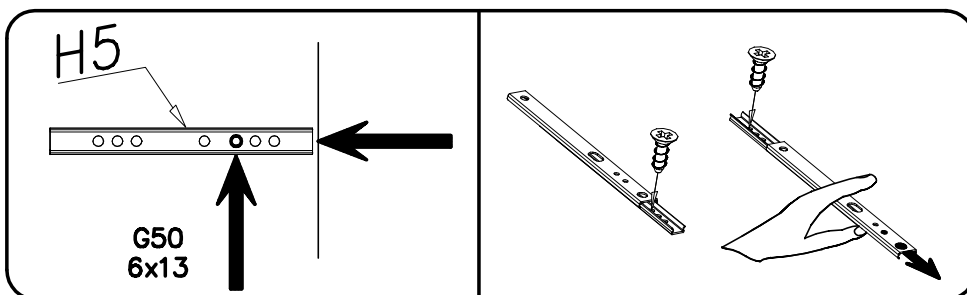
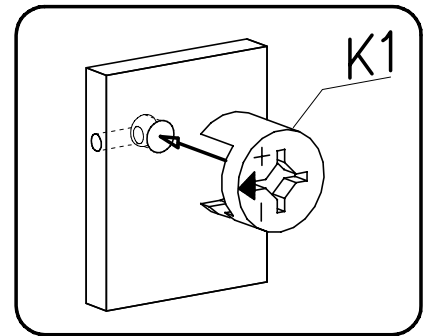
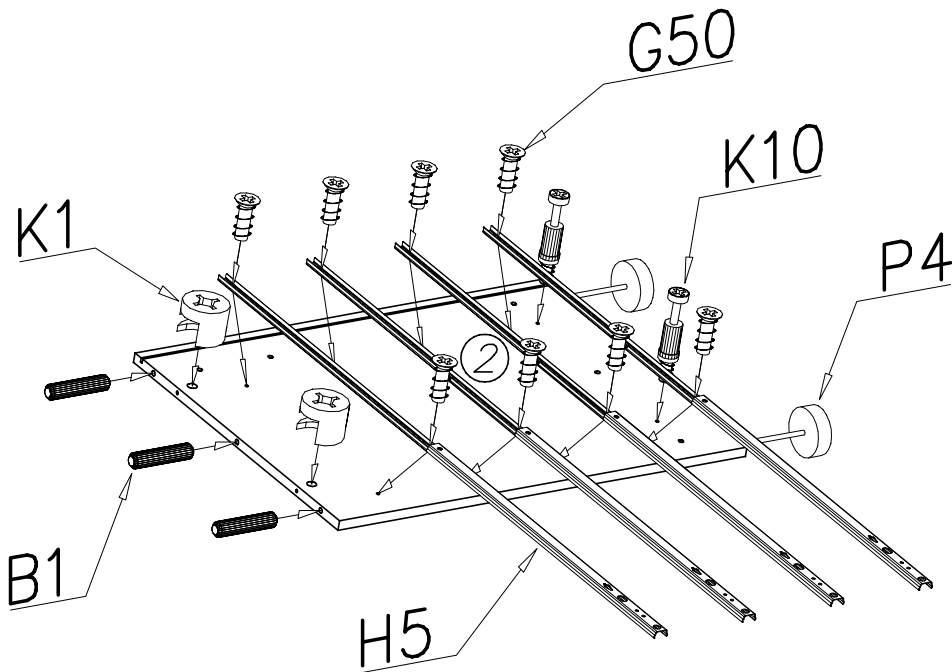
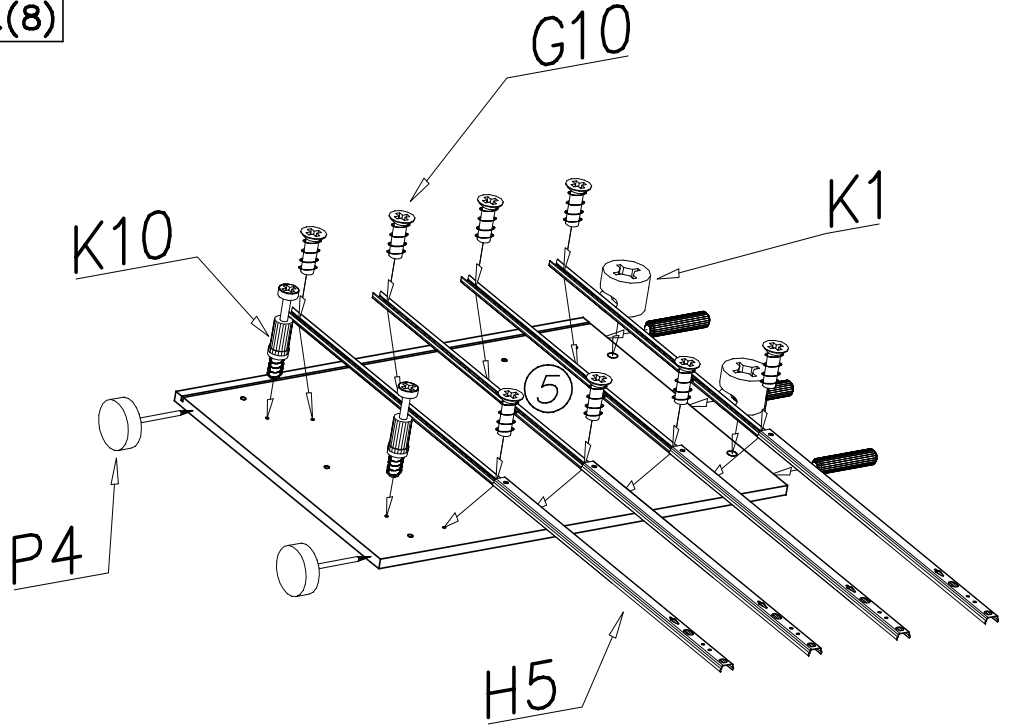
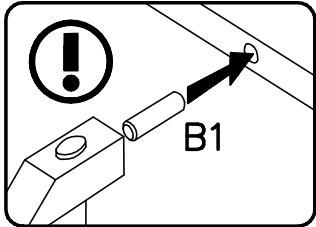
B1  x...(6)

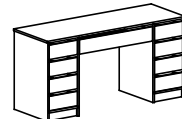
G20  5x11 x...(16)

P4  x...(4)

H5  400mm x...(8)

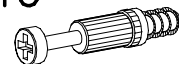
II



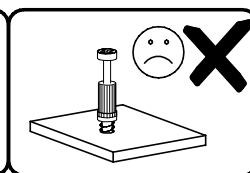
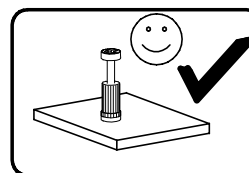
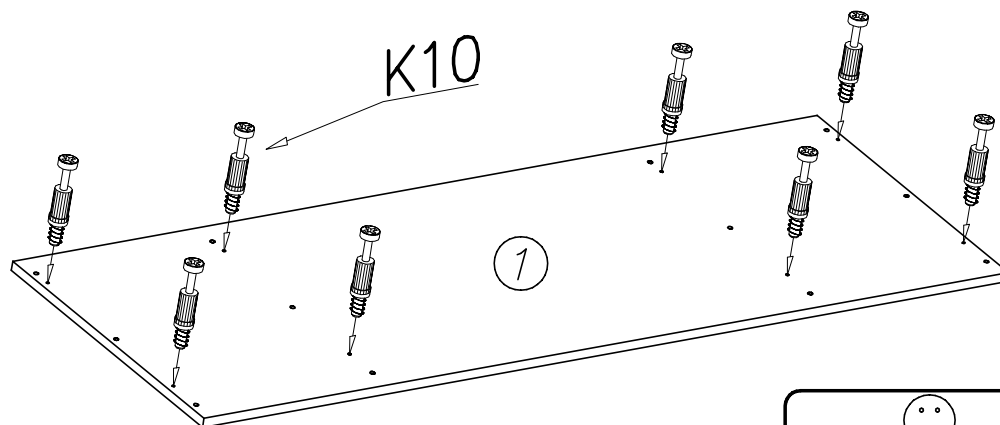


### III

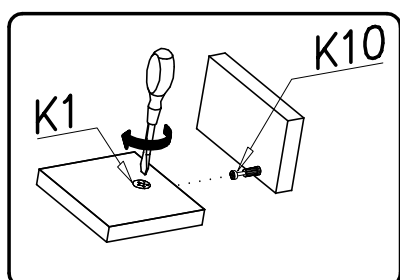
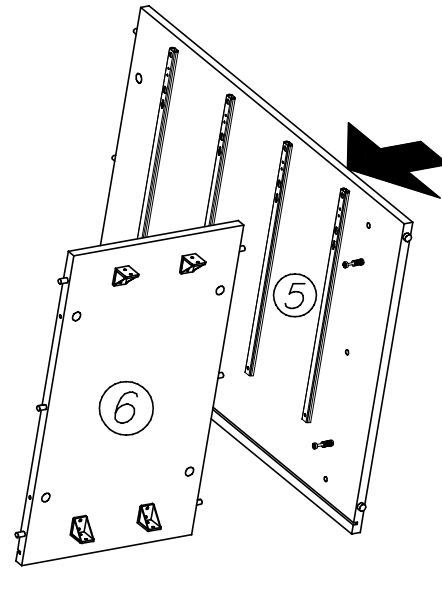
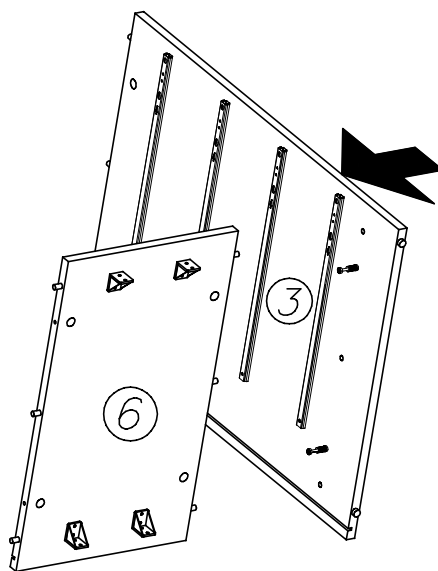
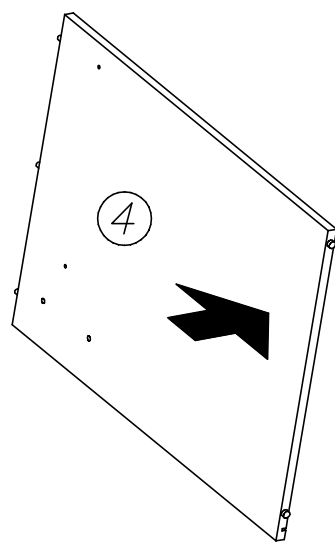
K10

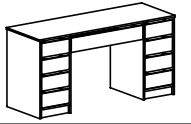


x...(8)



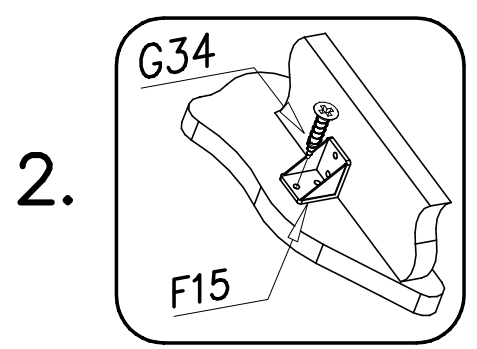
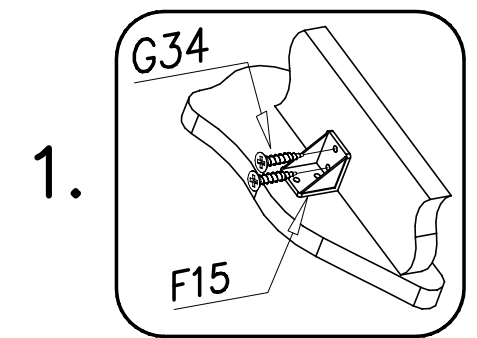
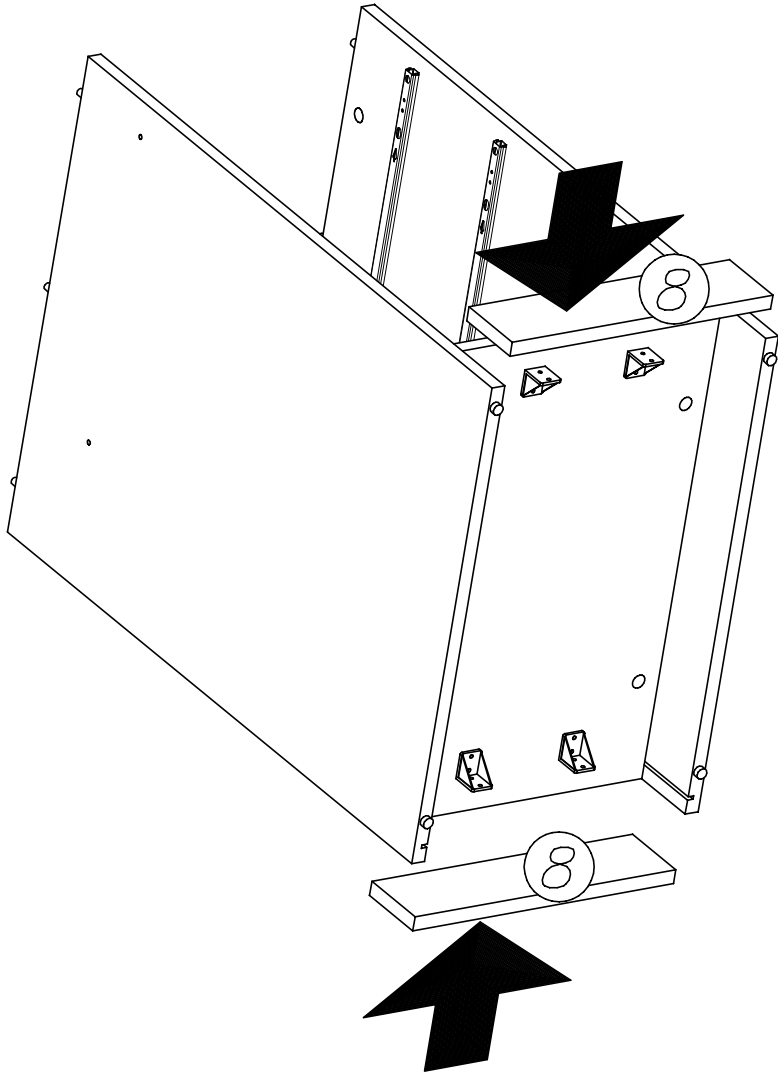
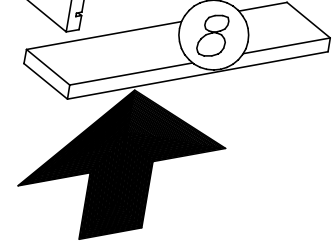
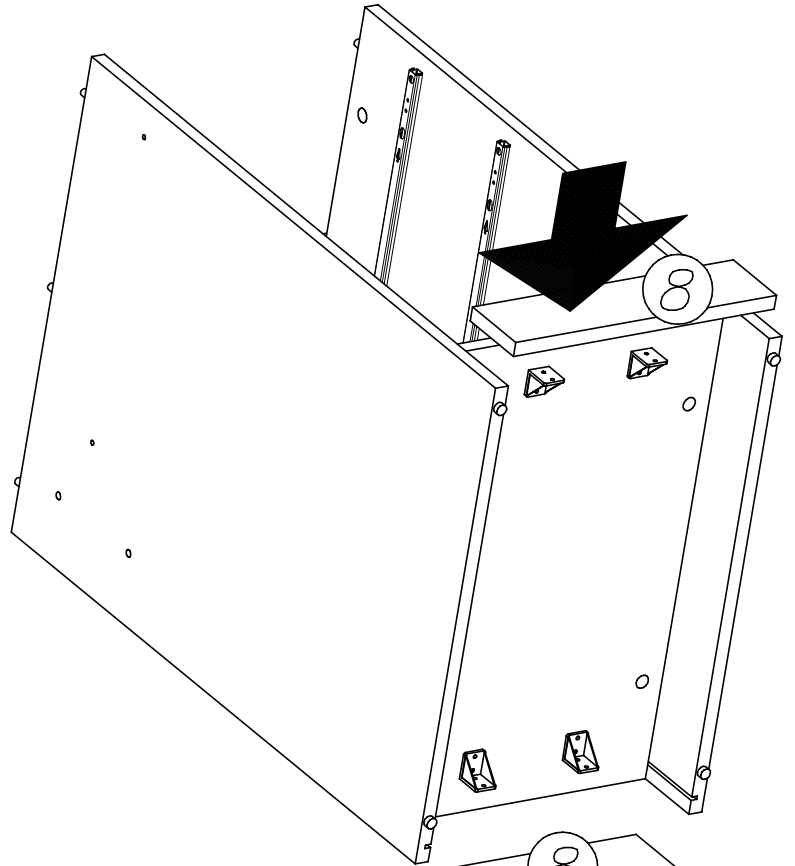
### IV

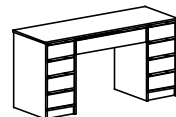





V

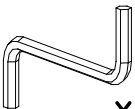
G34  
3,5x16 x...(24)

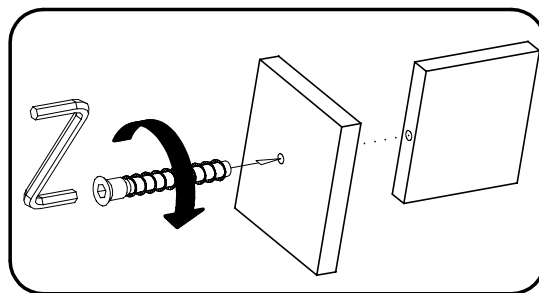
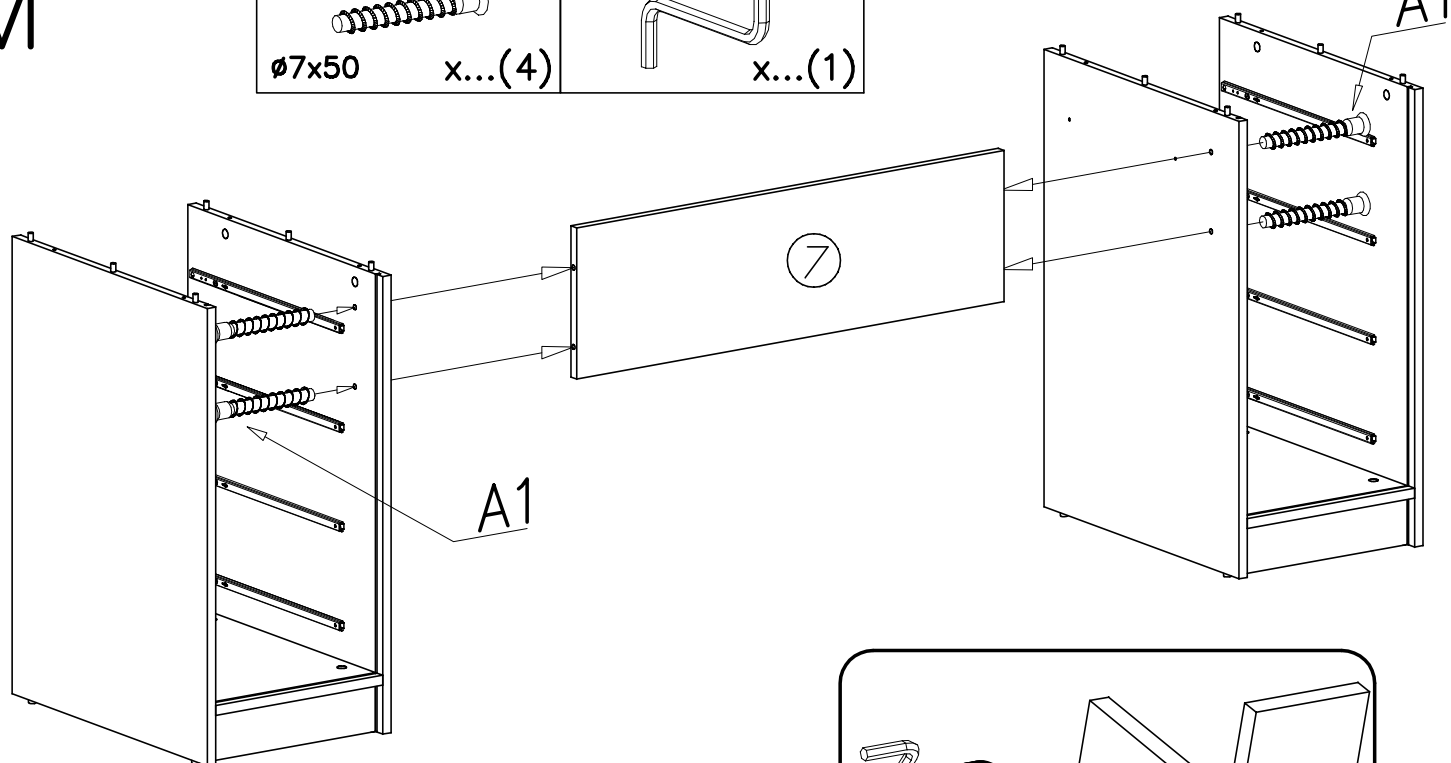




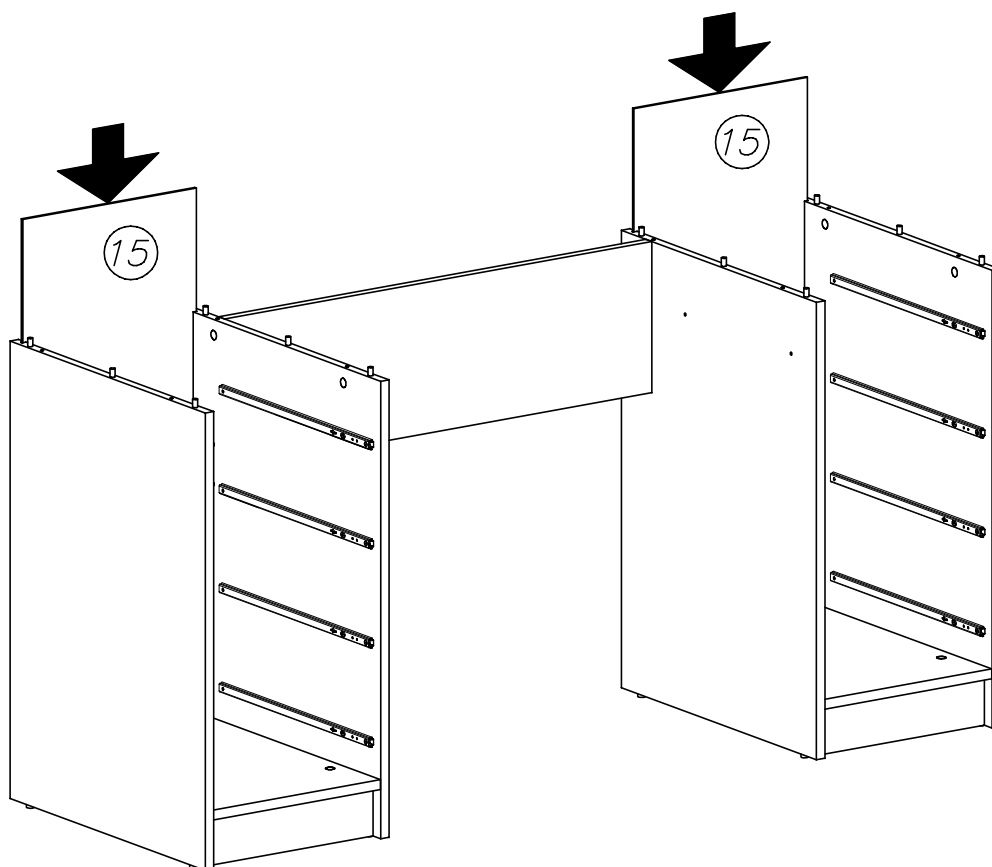
# VI

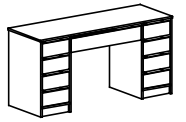
A1   
Ø7x50 x...(4)

W2   
x...(1)

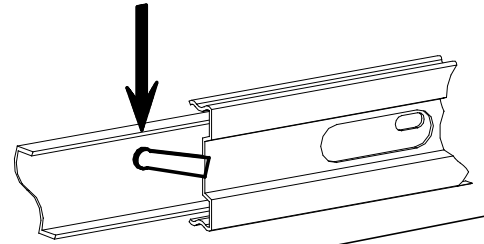
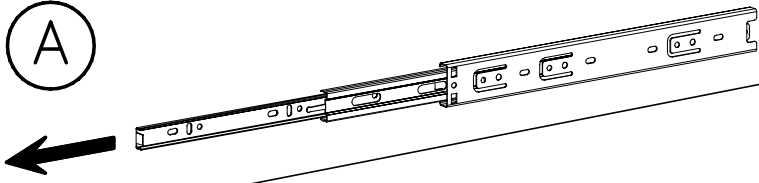


# VII

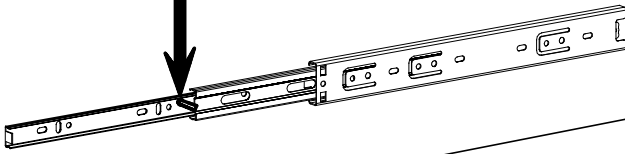




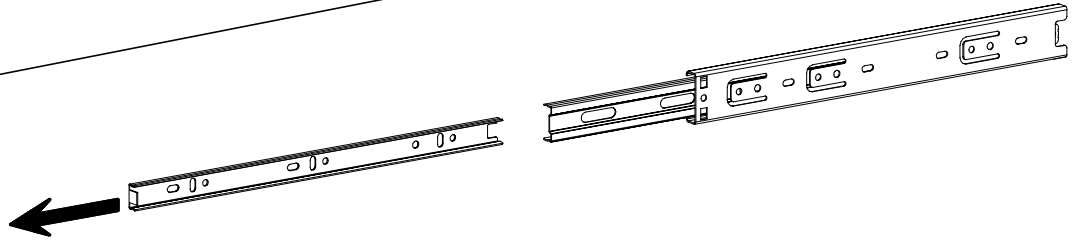
A



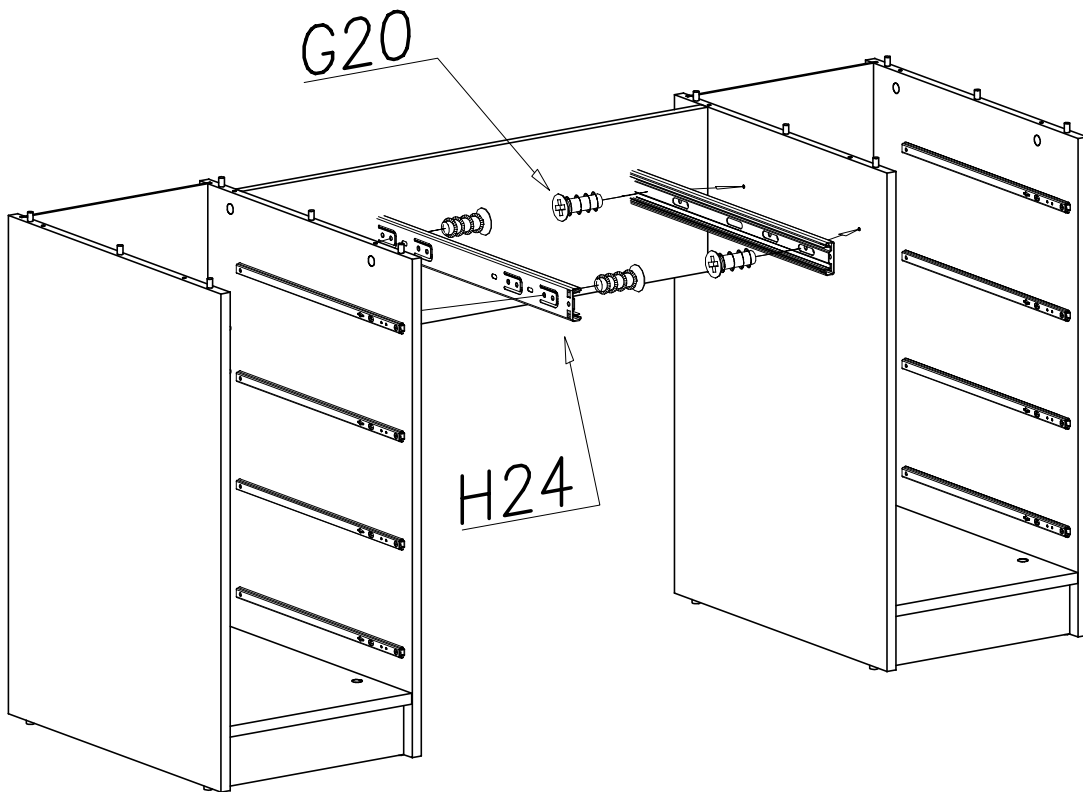
B



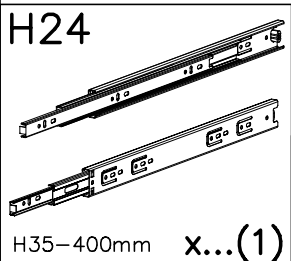
C



# VIII



H24

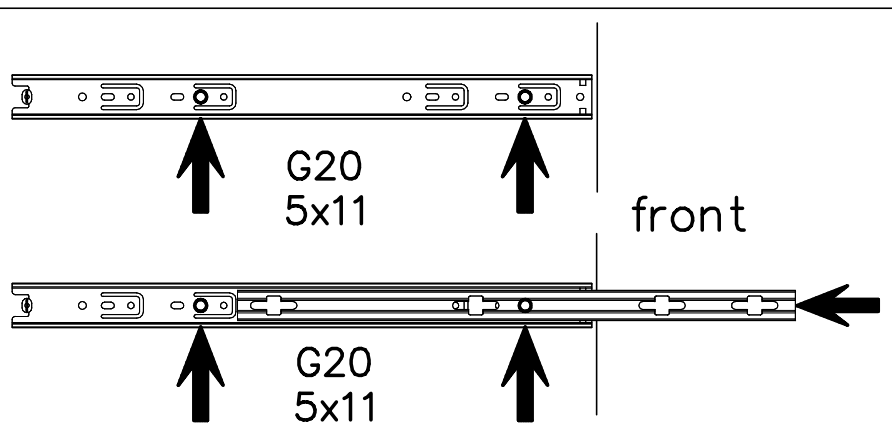


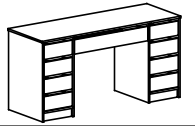
G20



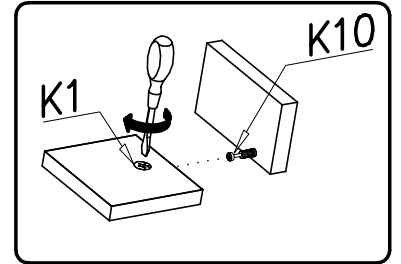
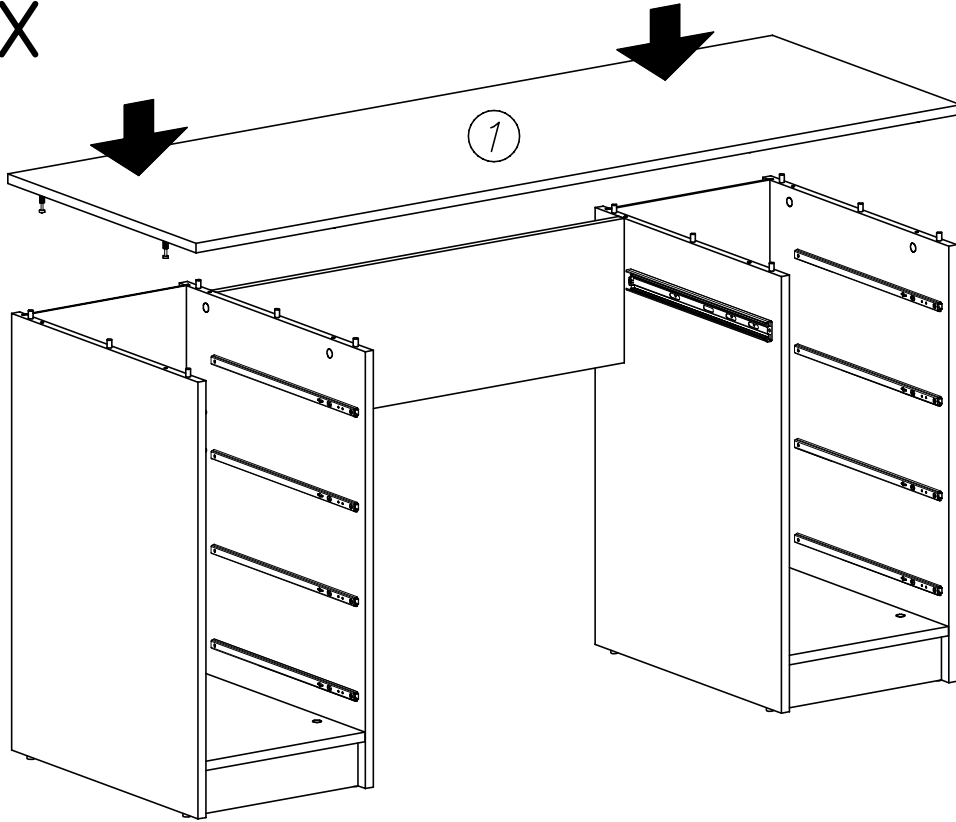
5x11

x...(40)

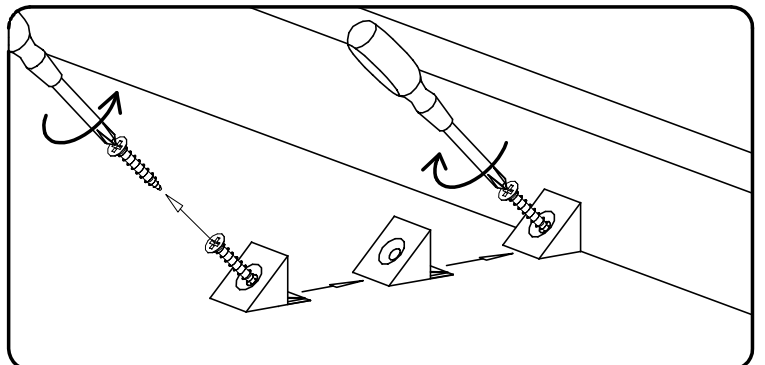
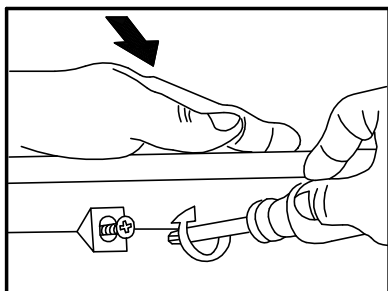
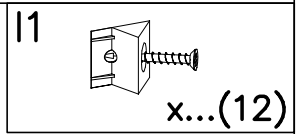
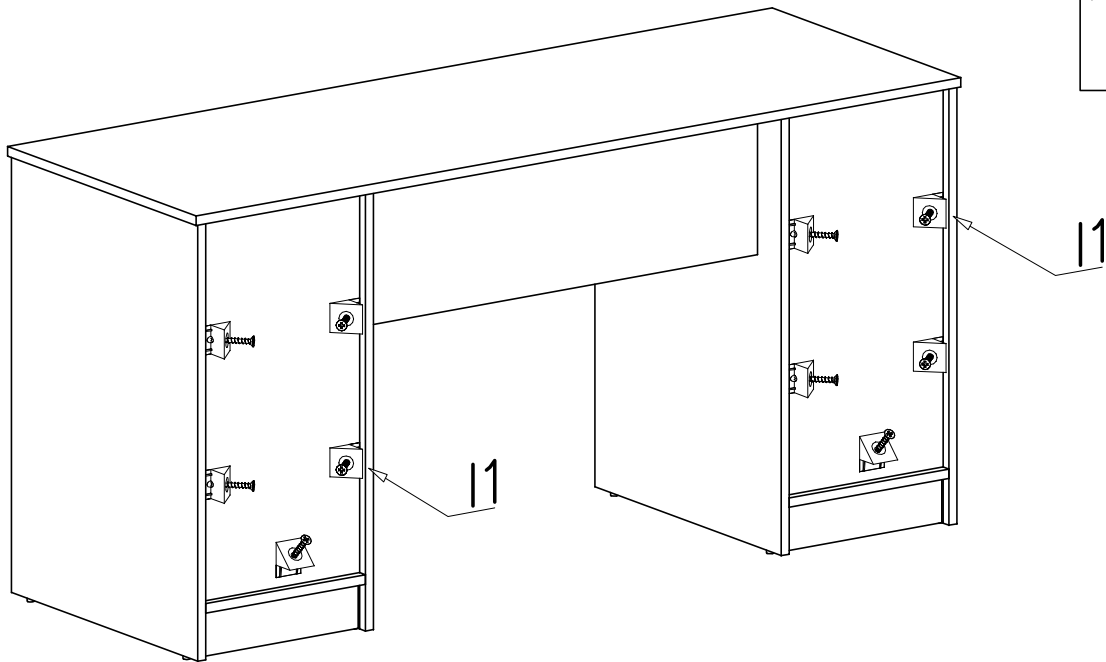


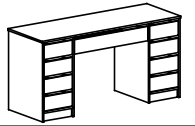


IX



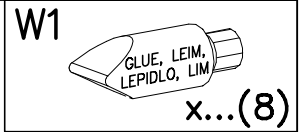
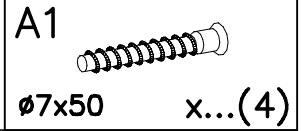
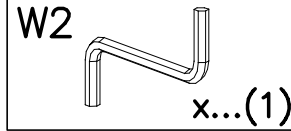
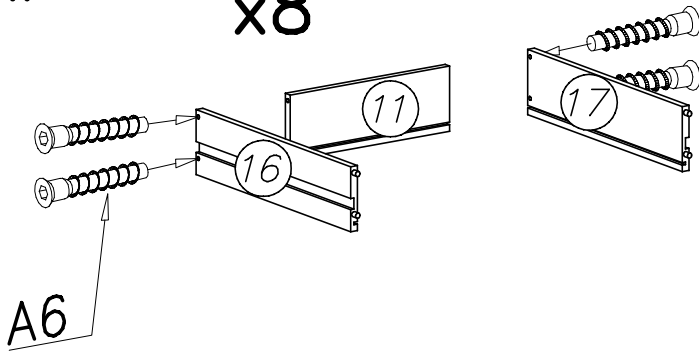
X



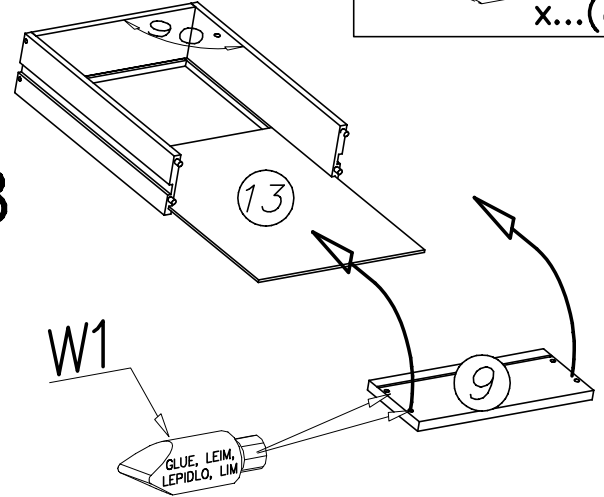


# XI

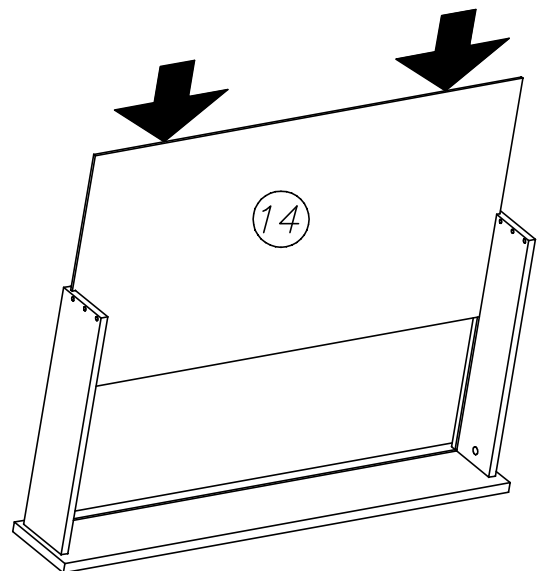
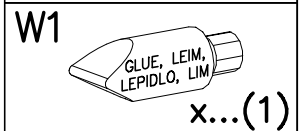
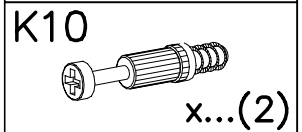
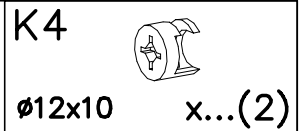
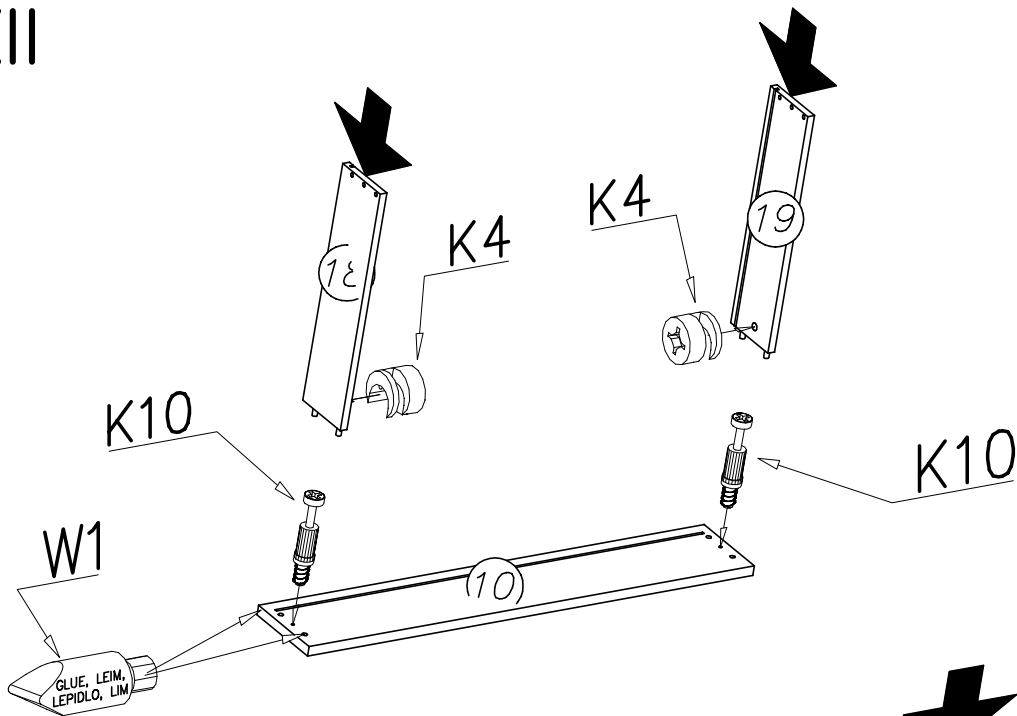
x8

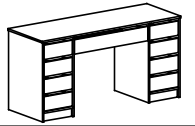


x8

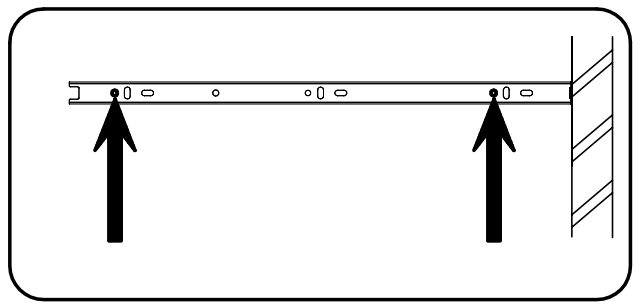
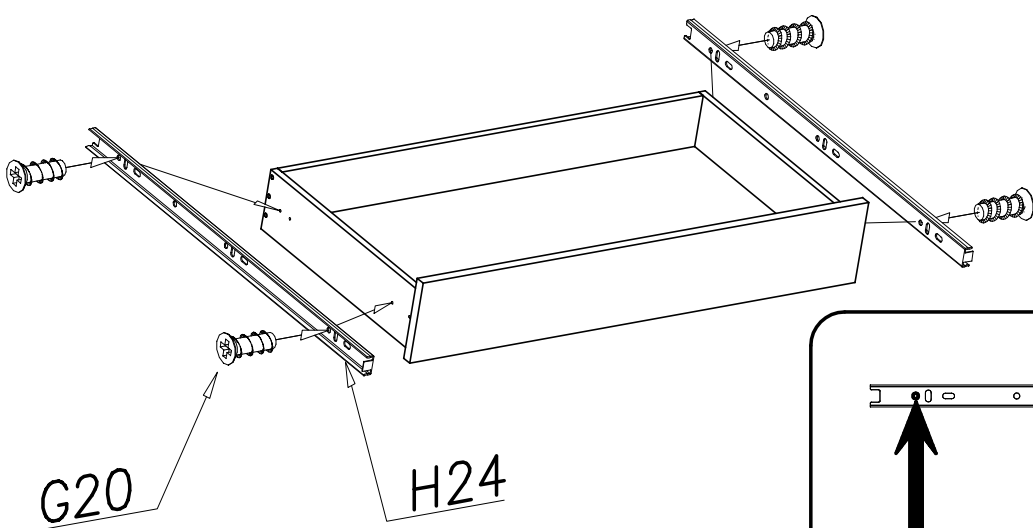
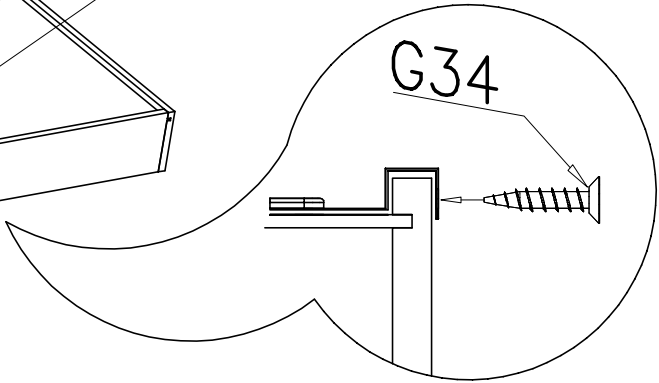
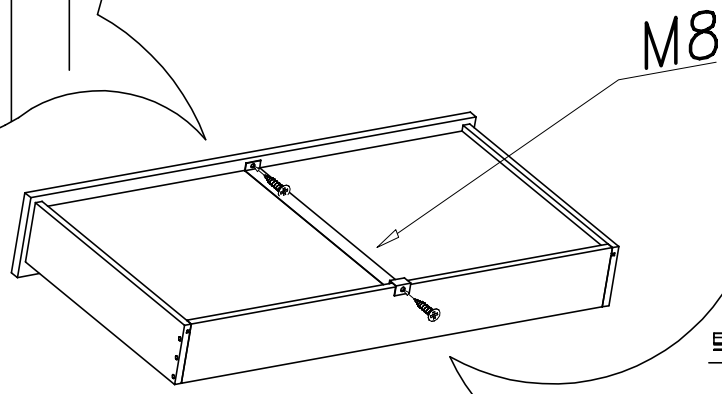
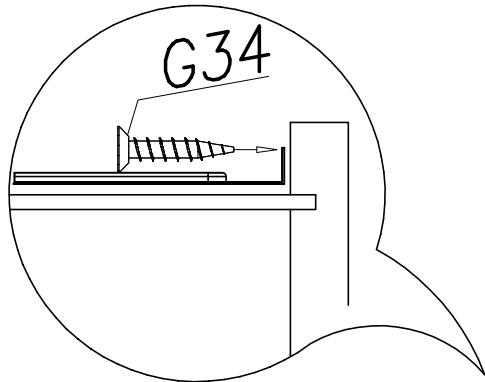
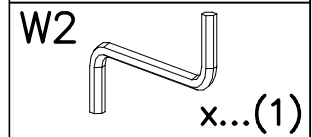
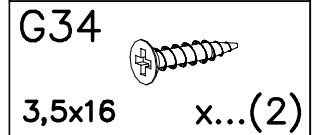
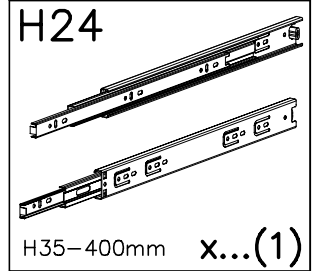
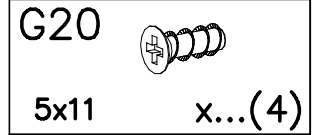
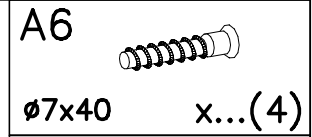
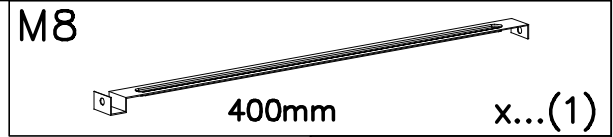
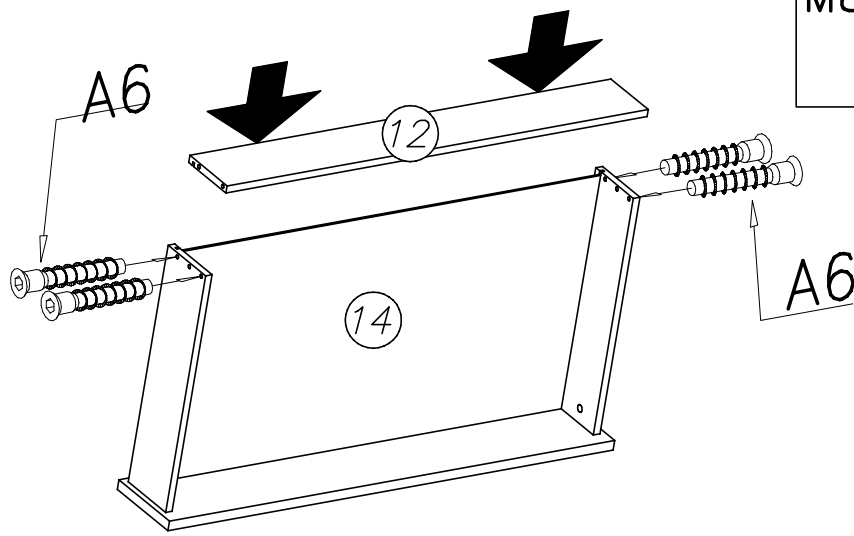


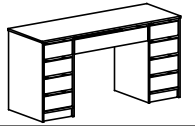
# XII



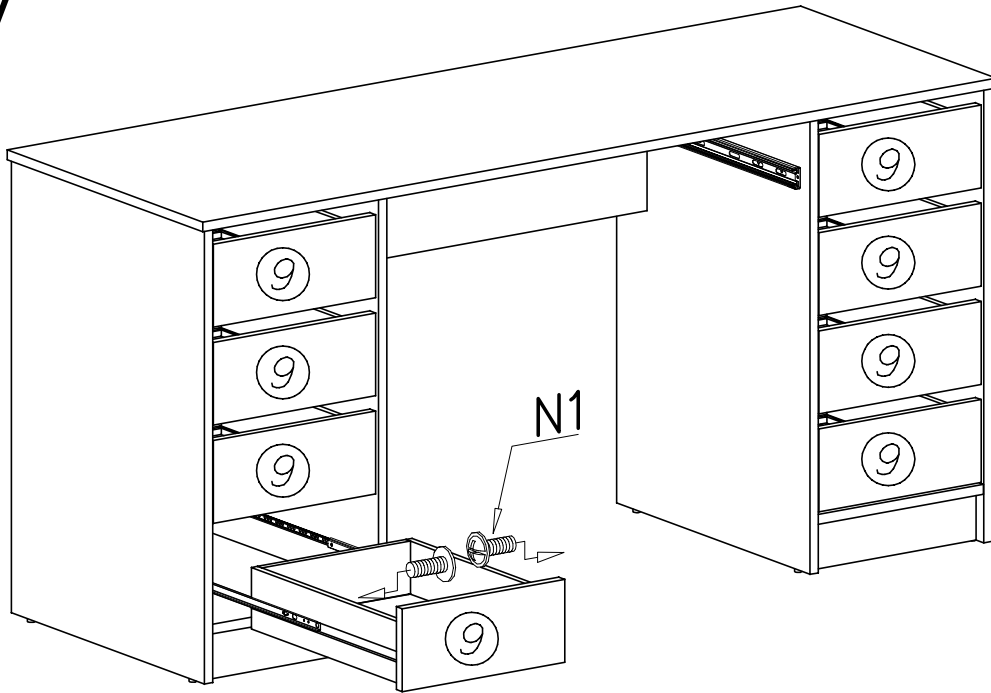


# XIII

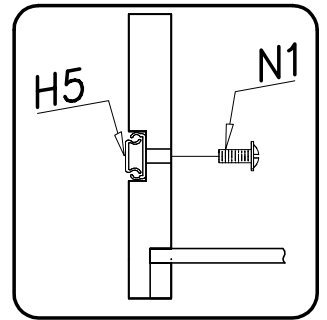




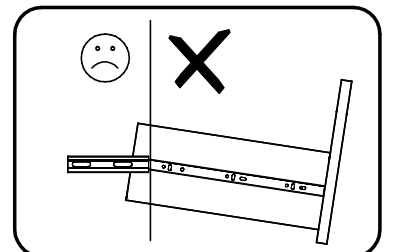
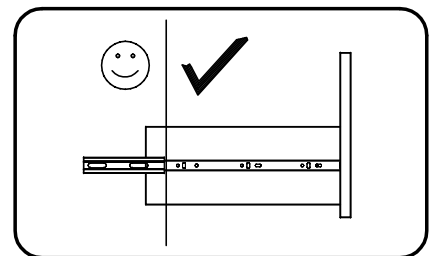
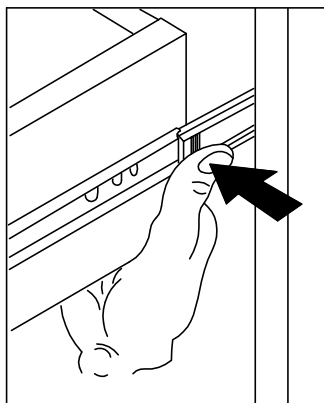
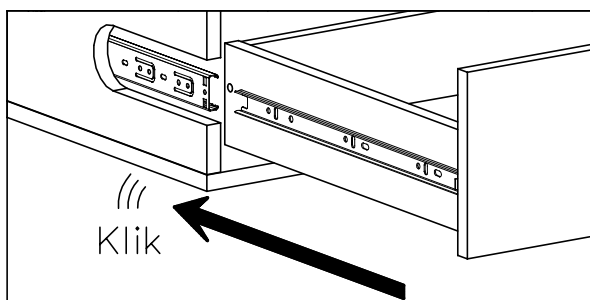
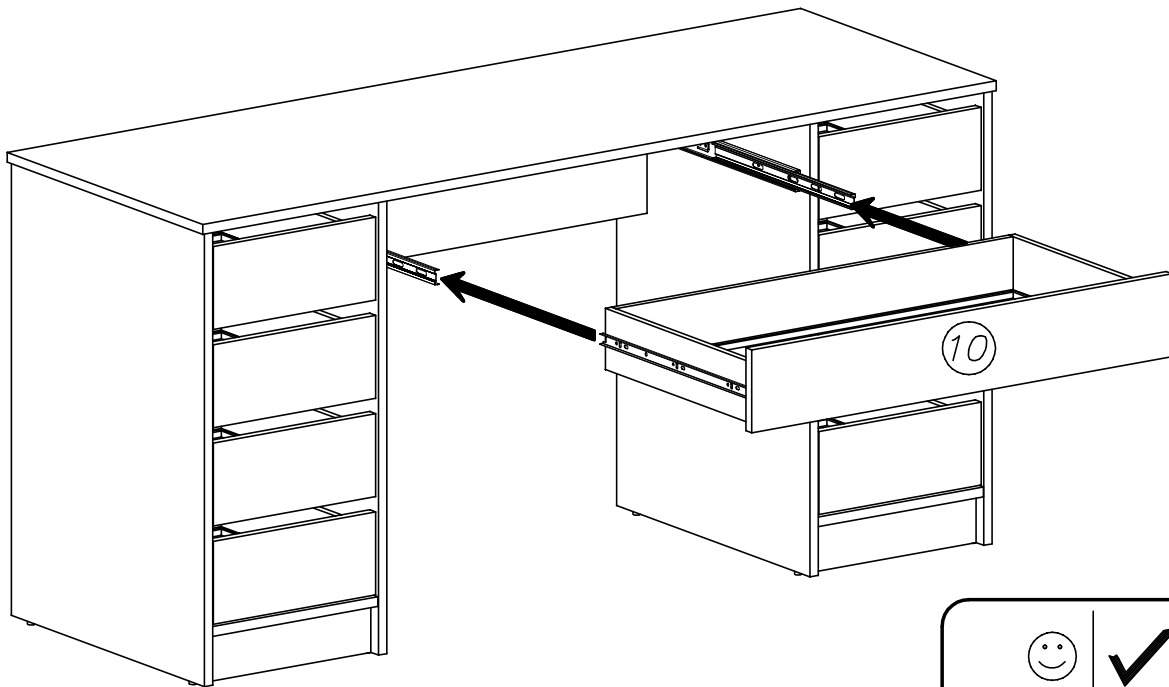
# XIV



N1  
M4x9 x...(16)



# XV





Uwaga • Upozornění • Achtung • Attention • Caution • Figyelem  
 Attenzione • Opgelet • Внимание • Atenție • Upozornenie • Dikkat

