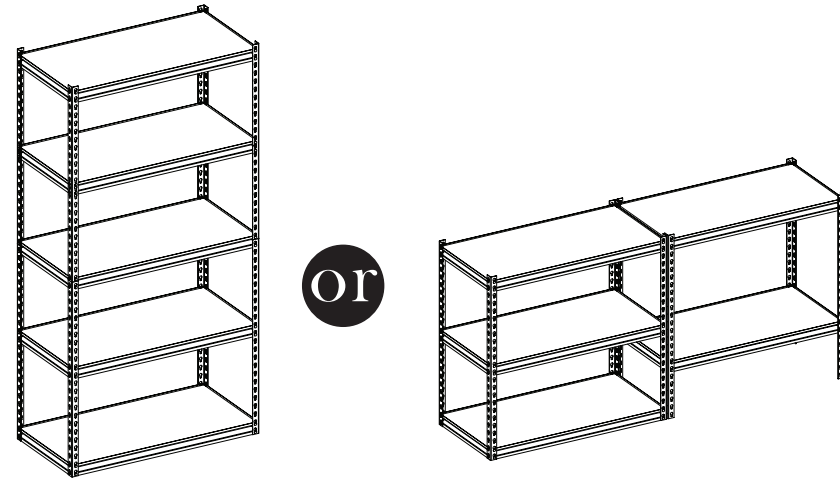


## STEEL SHELVING

### Assembly Instructions



#### Parts List:

Long beam x 10



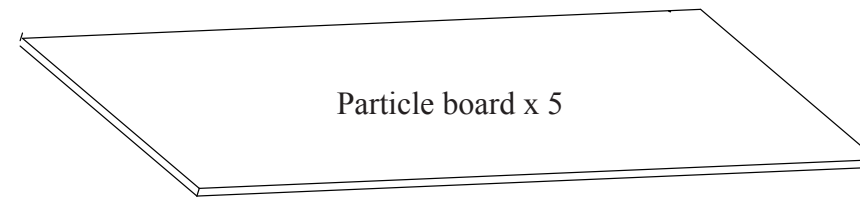
Short beam x 10



Post x 8



Particle board x 5



Plastic cap x 8   Post connectors x 4   Rubber hammer x 1   Post coupler x 4

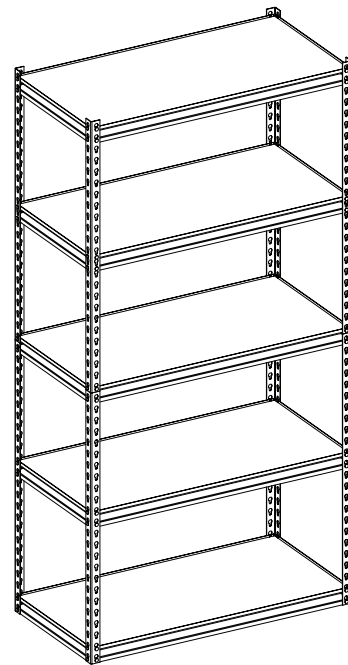


We work to help you organize things better.

Kindly notice:

- Make sure the slots of the posts are pointing down and the ledge of the braces are heading up.
- Experiment proves that interference fit (tight fit) improves the sturdiness of the rack. So the rivets don't have to fully seat into the slot. 1 or 2mm gap at the bottom of the slot is acceptable.
- Use a mallet to let the rivet seal to the slot.

#### Vertical Assembly

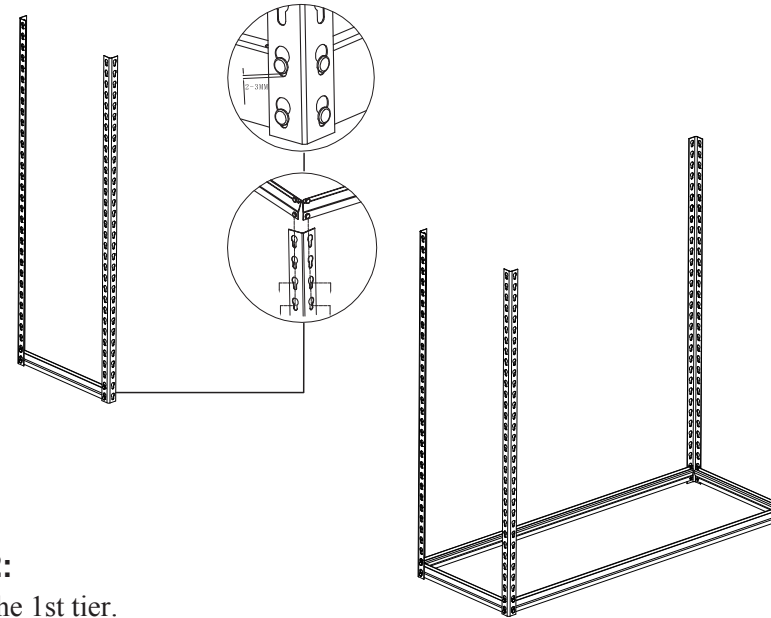


P1

#### Step 1:

Set up a "U" shape by assembling 2 posts with 1 short beam.

- Place the rivets into the posts.
- Tap to seat the the rivets.



#### Step 2:

Finish the 1st tier.

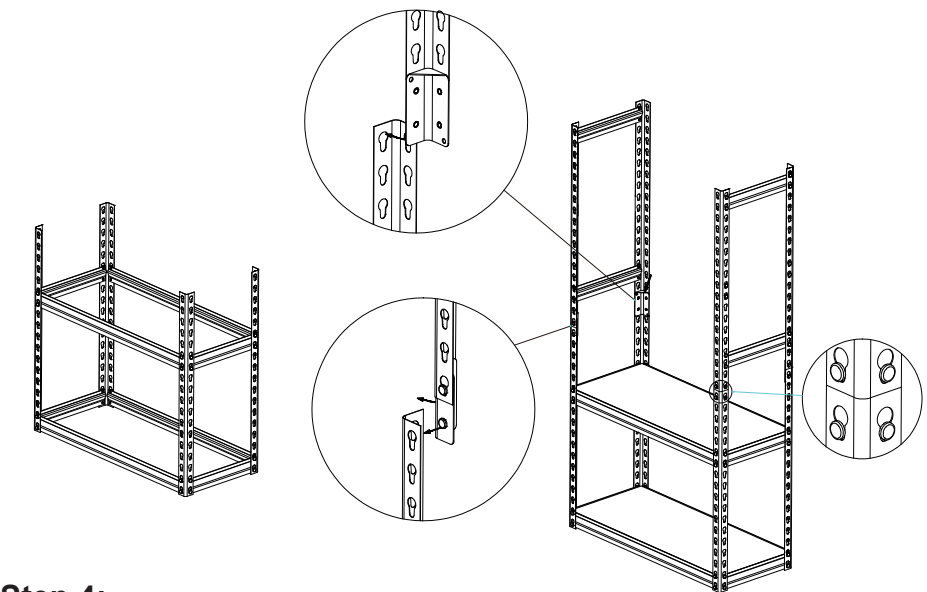
- Assemble 2 long beams to the "U" Shape.
- Place 2 posts to the other ends of the long beams.
- Connect the 2 posts by placing 1 short beam.
- Add a wooden board to the base.

P2

#### Step 3:

Set up the 2nd tier.

- Add 2 long beams and 2 short beams to the post at the desired height.
- Add a wooden board to finish the 2nd tier.

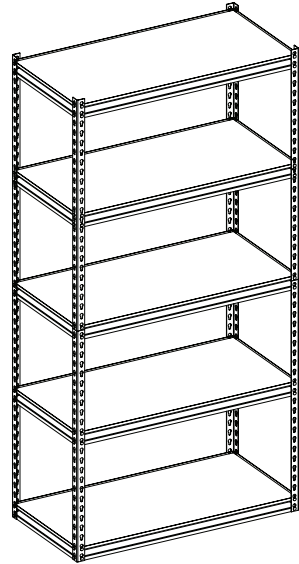


#### Step 4:

Connect the upper and lower posts.

- Insert the upper rivet of the connector to the lowest hole of the upper post.
- Then insert the lower rivet to the top hole of the lower post.
- And fix it with the hammer.

P3

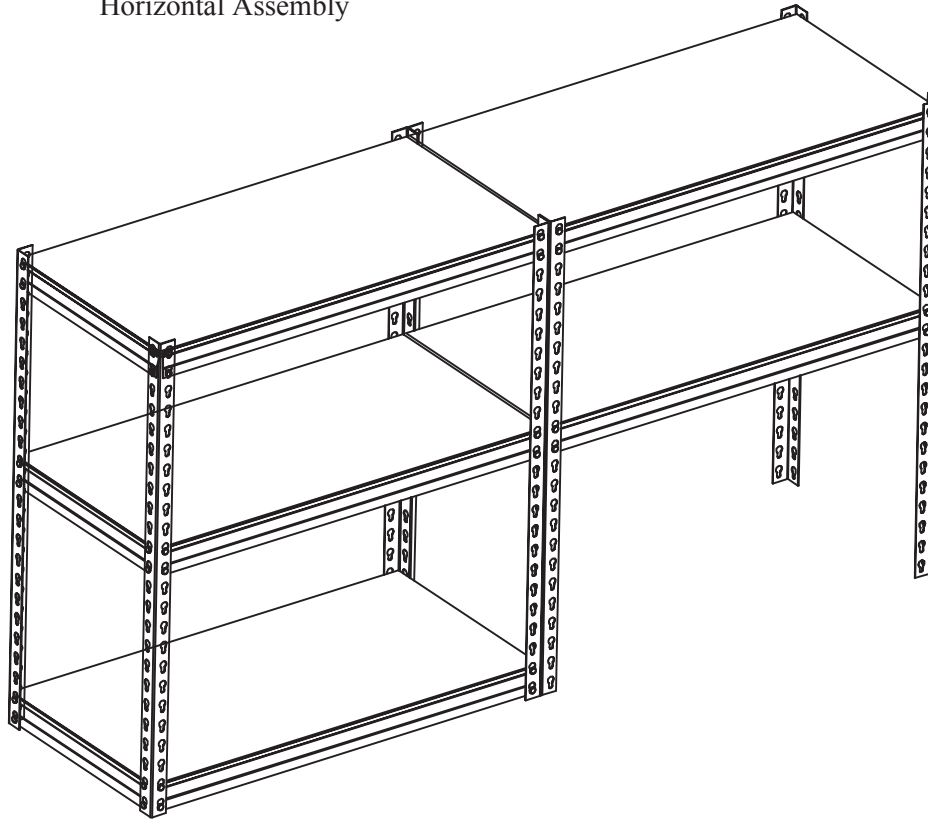


**Step 5:**

- Set up the 3rd, 4th & 5th tier in reference of Step 3.
- Add 2 long beams and 2 short beams to the post at the desired height.
  - Add a wooden board to finish each tier.

P4

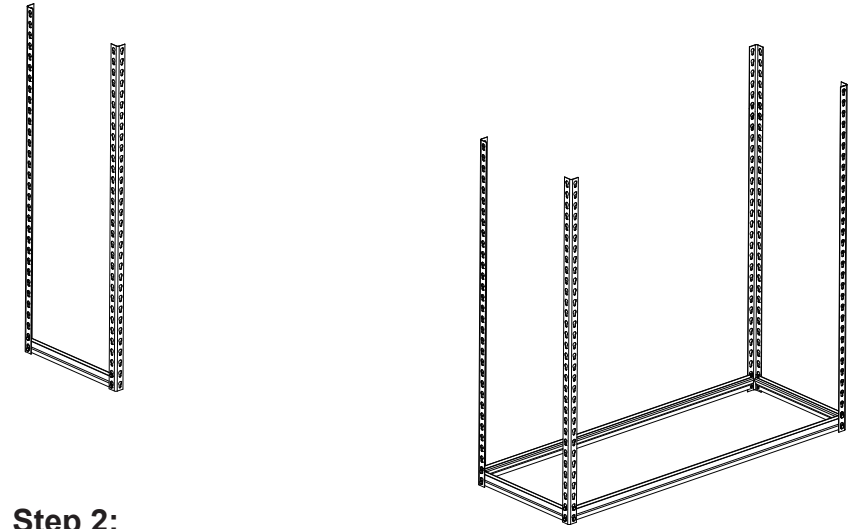
Horizontal Assembly



P5

**Step 1:**

- Set up a "U" shape by assembling 2 posts with 1 short beam.
- Place the rivets into the posts.
  - Tap to seat the the rivets.



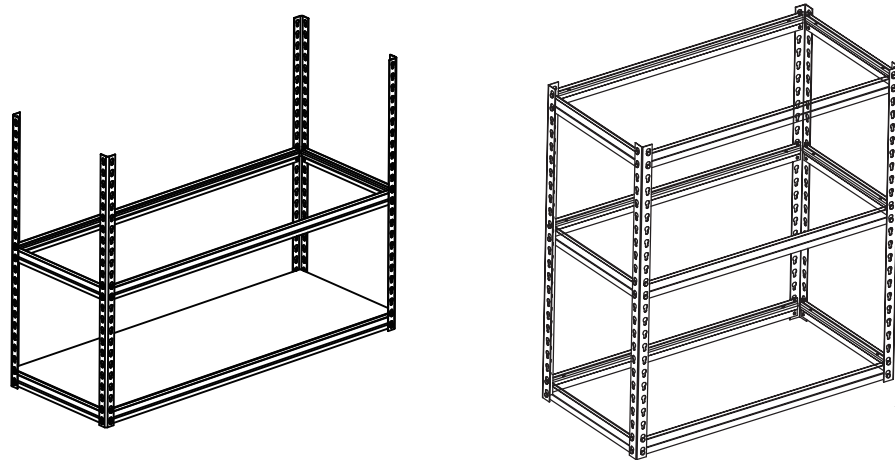
**Step 2:**

- Finish the 1st tier.
- Assemble 2 long beams to the "U" Shape.
  - Place 2 posts to the other end of the long beams.
  - Connect the 2 posts by placing 1 short beam.
  - Add a wooden board to the base.

P6

**Step 3:**

- Set up the 2nd tier.
- Add 2 long beams and 2 short beams to the post at the desired height.
  - Add a wooden board to finish the 2nd tier.



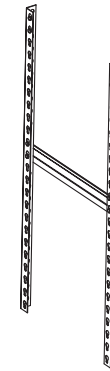
**Step 4:**

- Assemble the upper posts to the lower posts and set up the 3rd tier.
- Add 2 short beam and 2 long beams to the top of the lower posts.
  - Add a wooden board to finish the 3rd tier.

P7

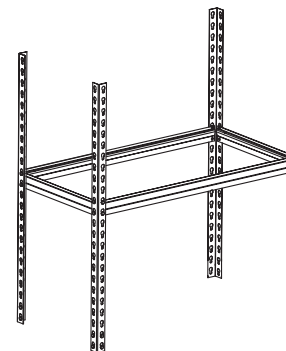
**Step 5:**

- Set up a "H" shape by assembling 2 posts with 1 short beam.
- Place the rivets into the posts.
  - Tap to seat the the rivets.



**Step 6:**

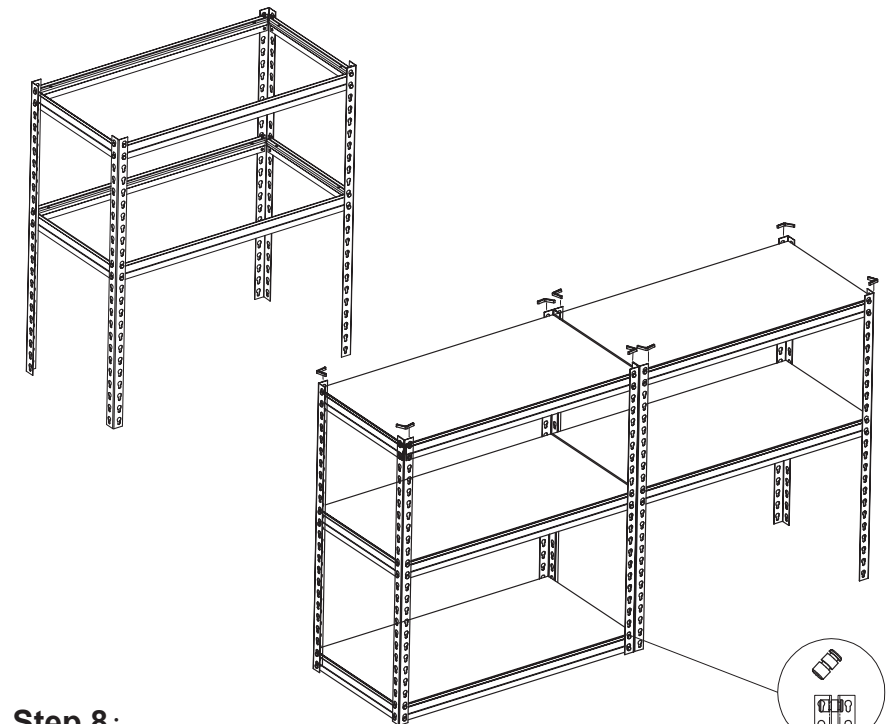
- Finish the 1st tier.
- Assemble 2 long beams to the "H" Shape.
  - Place 2 posts to the other ends of the long beams.
  - Connect the 2 posts by placing 1 short beam.
  - Add a wooden board to the base.



P8

**Step 7:**

- Set up the top tier.
- Add 2 long beams and 2 short beams to the post at the top holes.
  - Add a wooden board to finish the top tier.



**Step 8:**

- Connect the posts with the couplers as in the drawing.

P9