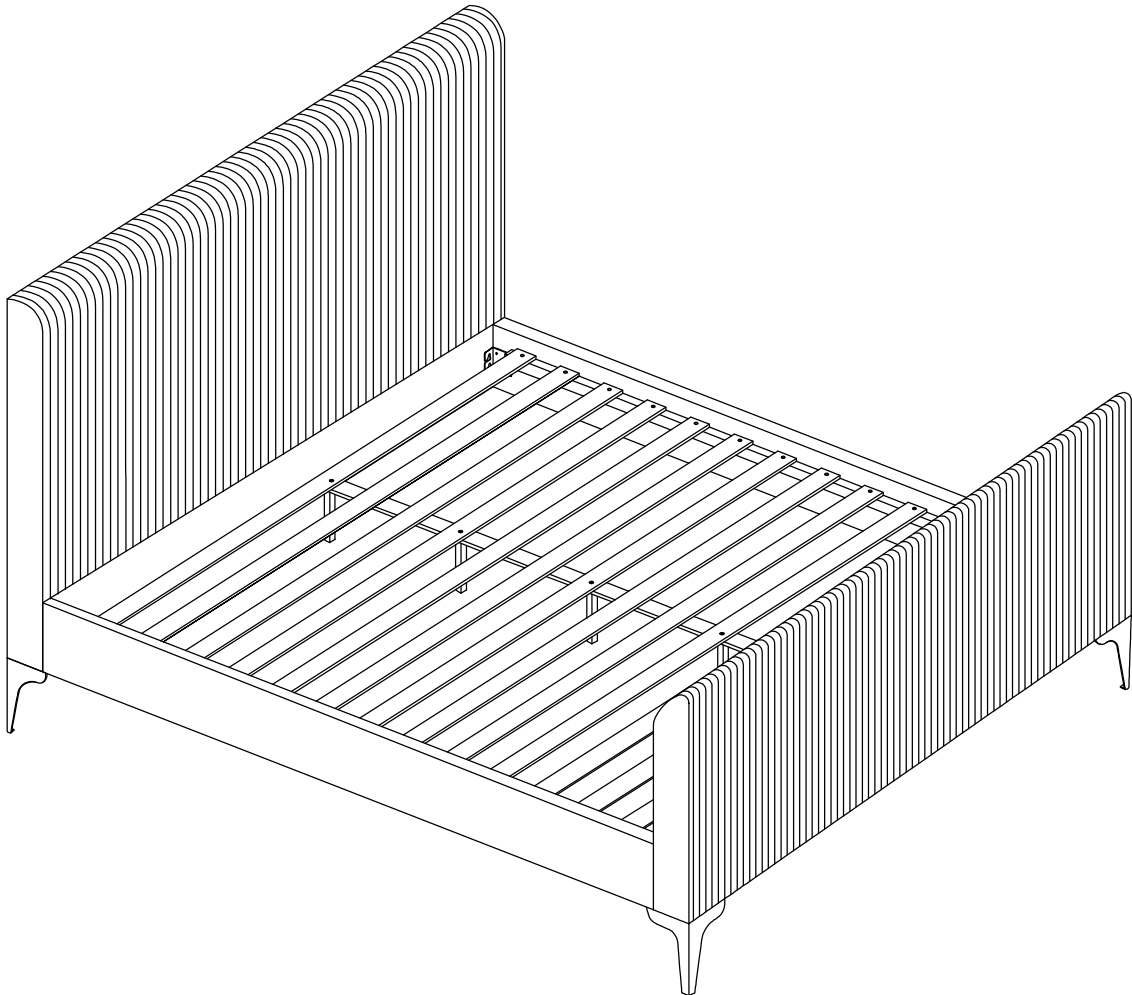
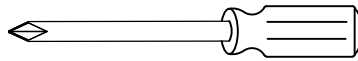
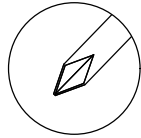


ASSEMBLY INSTRUCTIONS

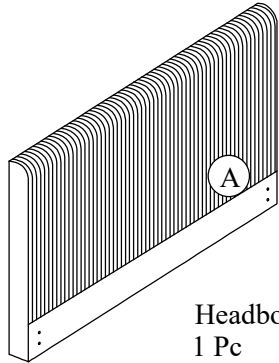
FULL HEADBOARD
FULL FOOTBOARD
FULL RAILS + SLATS
QUEEN HEADBOARD
QUEEN FOOTBOARD
QUEEN RAILS + SLATS
E.KING HEADBOARD
E.KING FOOTBOARD
E.KING RAILS +SLATS



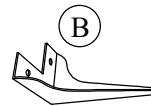
ASSEMBLY TOOLS REQUIRED (NOT INCLUDED)



BOX - 1 HEADBOARD

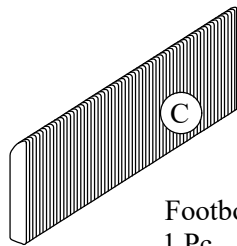


Headboard
1 Pc



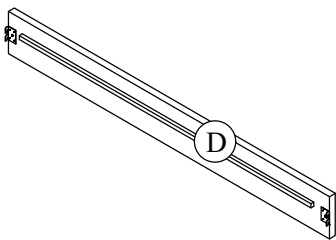
Legs
4 Pcs

BOX - 2 FOOTBOARD

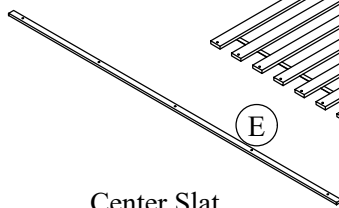


Footboard
1 Pc

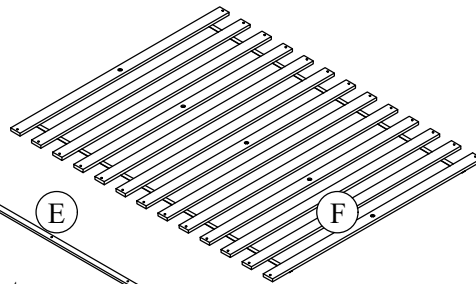
BOX - 3 SIDE RAIL & SLAT & SUPPORT LEGS



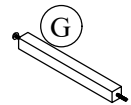
Side Rails
2 Pcs



Center Slat
Support
1 Pc



Slat
1 Set



Support Legs
5 Pcs

HARDWARE LIST



1. Bolt
Ø5/16"*32mm
16 Pcs



2. Spring Washer
Ø5/16"
16 Pcs



3. Flat Washer
Ø5/16"*19mm
16 Pcs



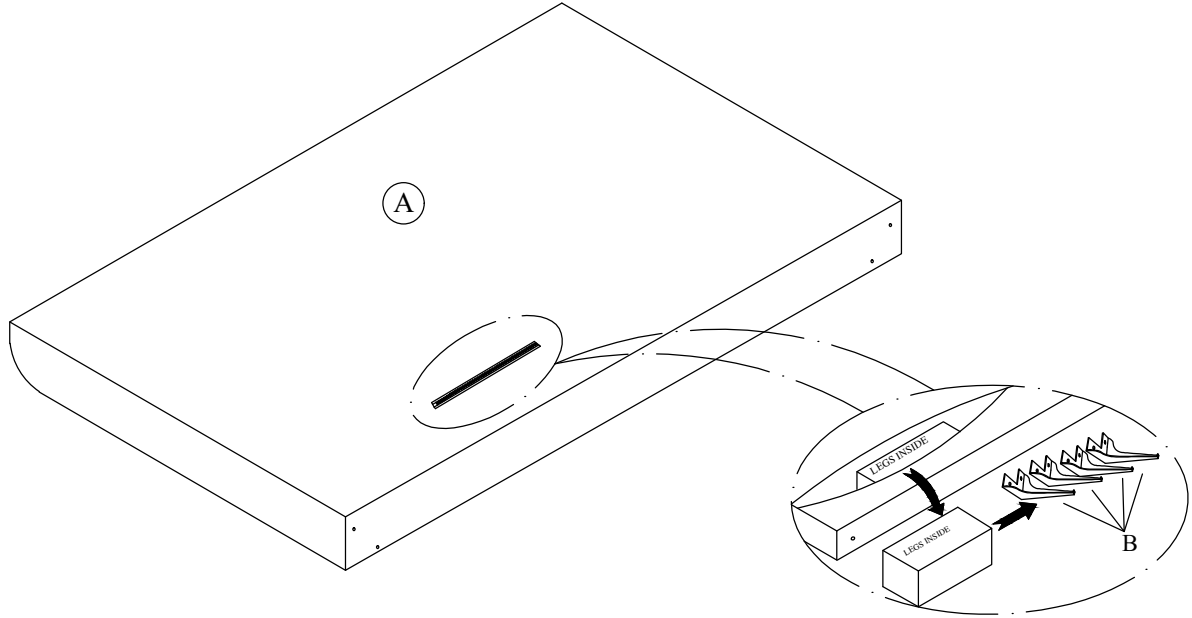
4. Allen key
4 x 60mm
1 Pc







5. Screw
#4 x 30mm
26 Pcs

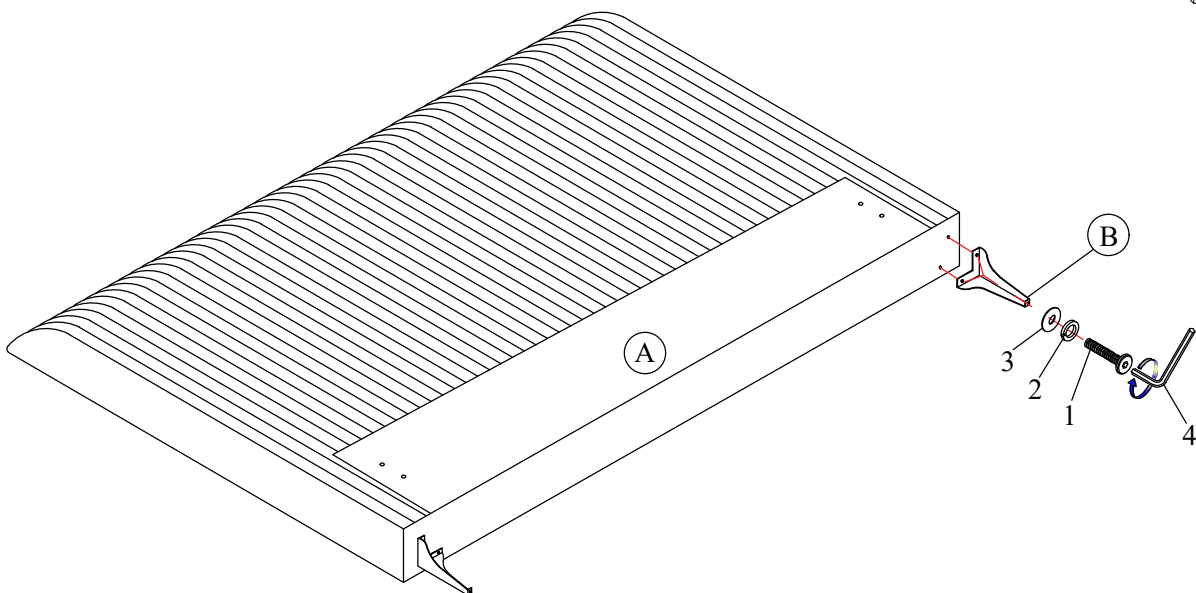
ASSEMBLY INSTRUCTIONS

STEP-1:



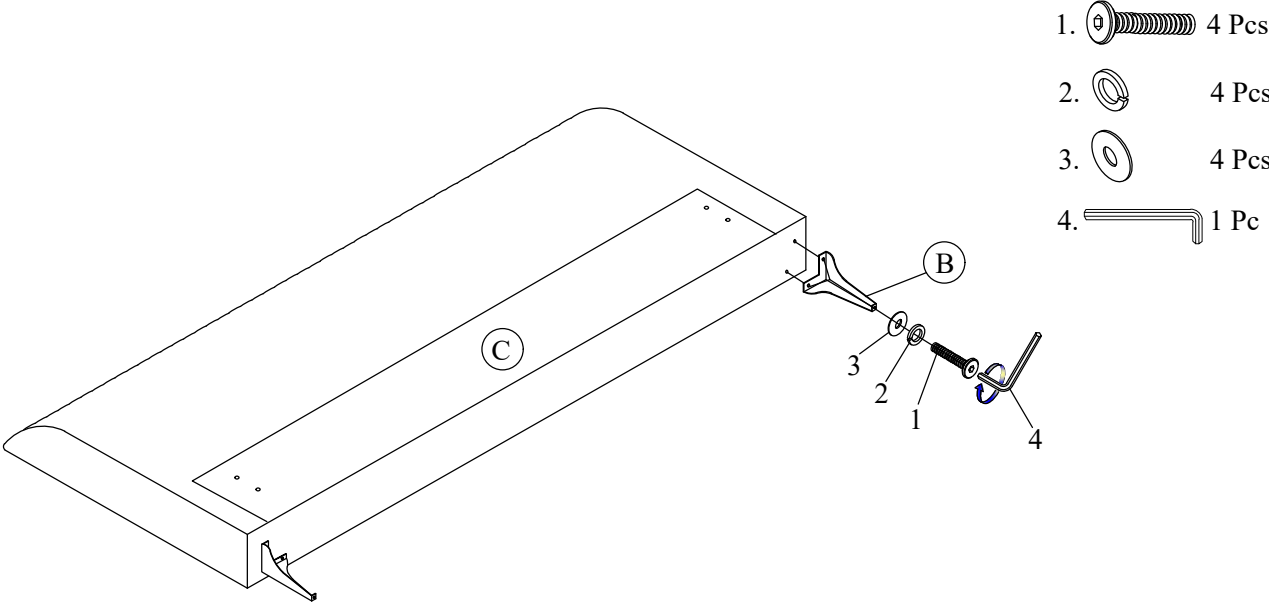
STEP-2:

1.  4 Pcs
2.  4 Pcs
3.  4 Pcs
4.  1 Pc

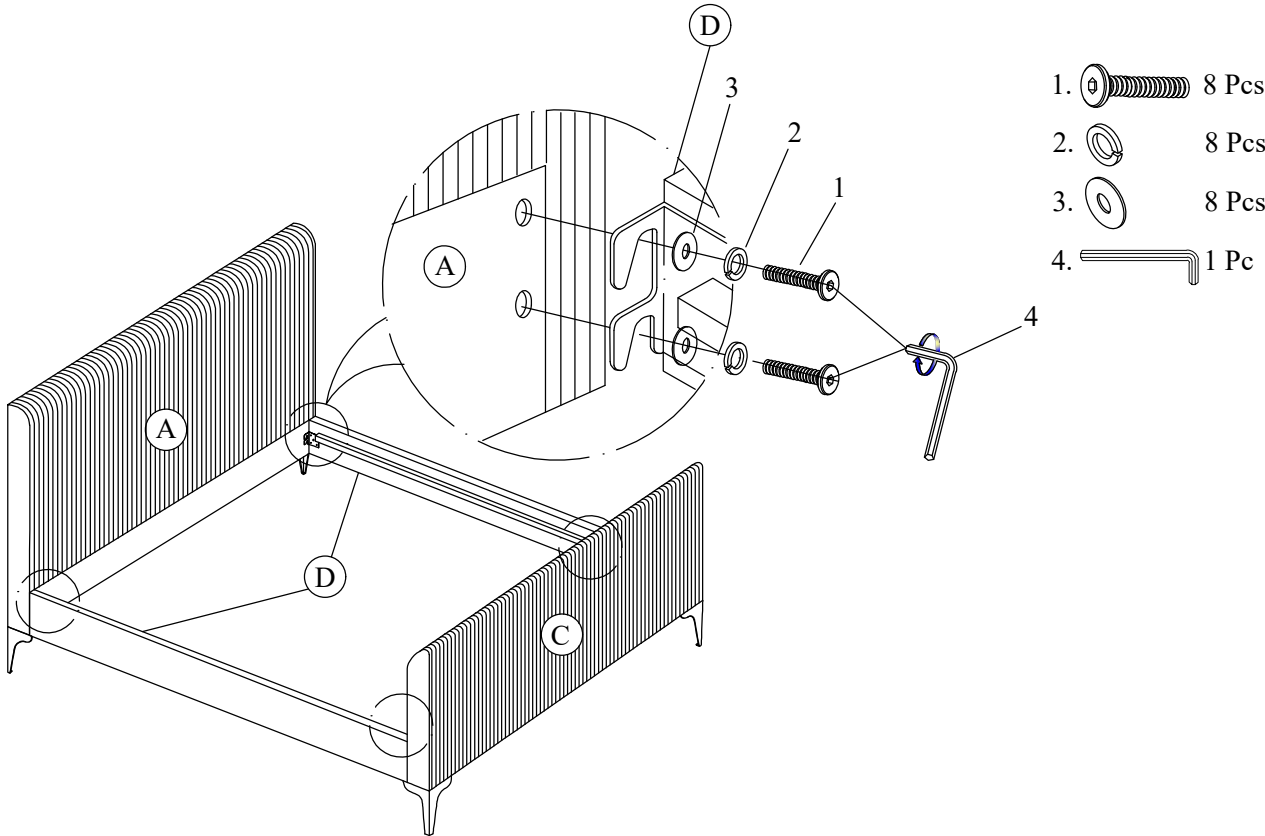


ASSEMBLY INSTRUCTIONS

STEP-3:



STEP-4:



ASSEMBLY INSTRUCTIONS

STEP-5:

5.  26 Pcs

SCREWDRIVER NOT INCLUDED

