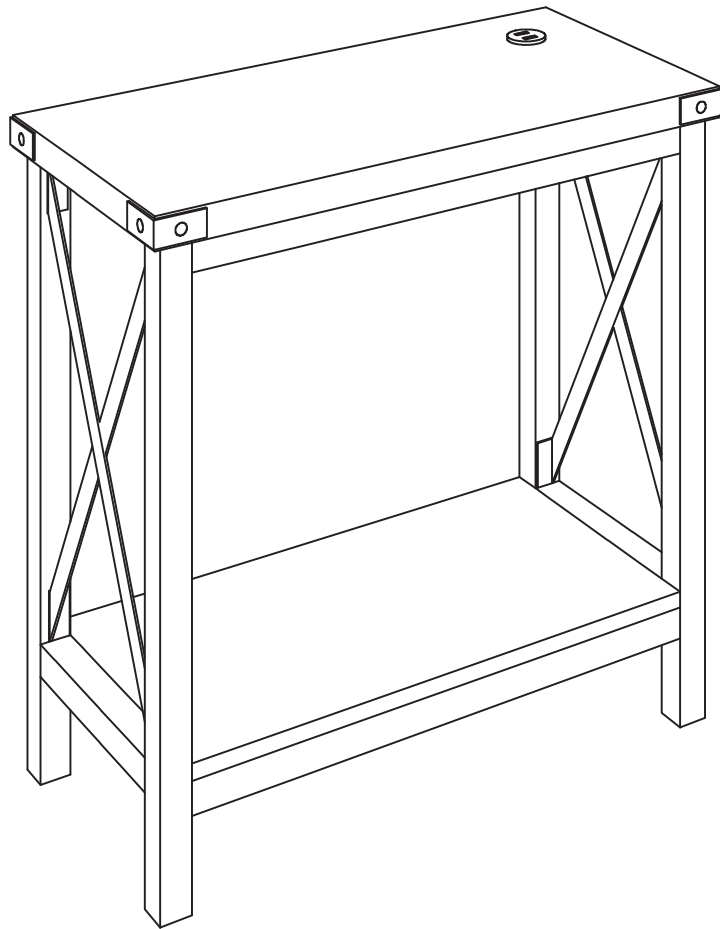


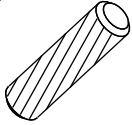
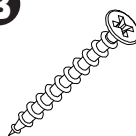

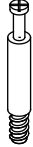

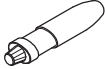
CHAIRSIDE TABLE W/ USB



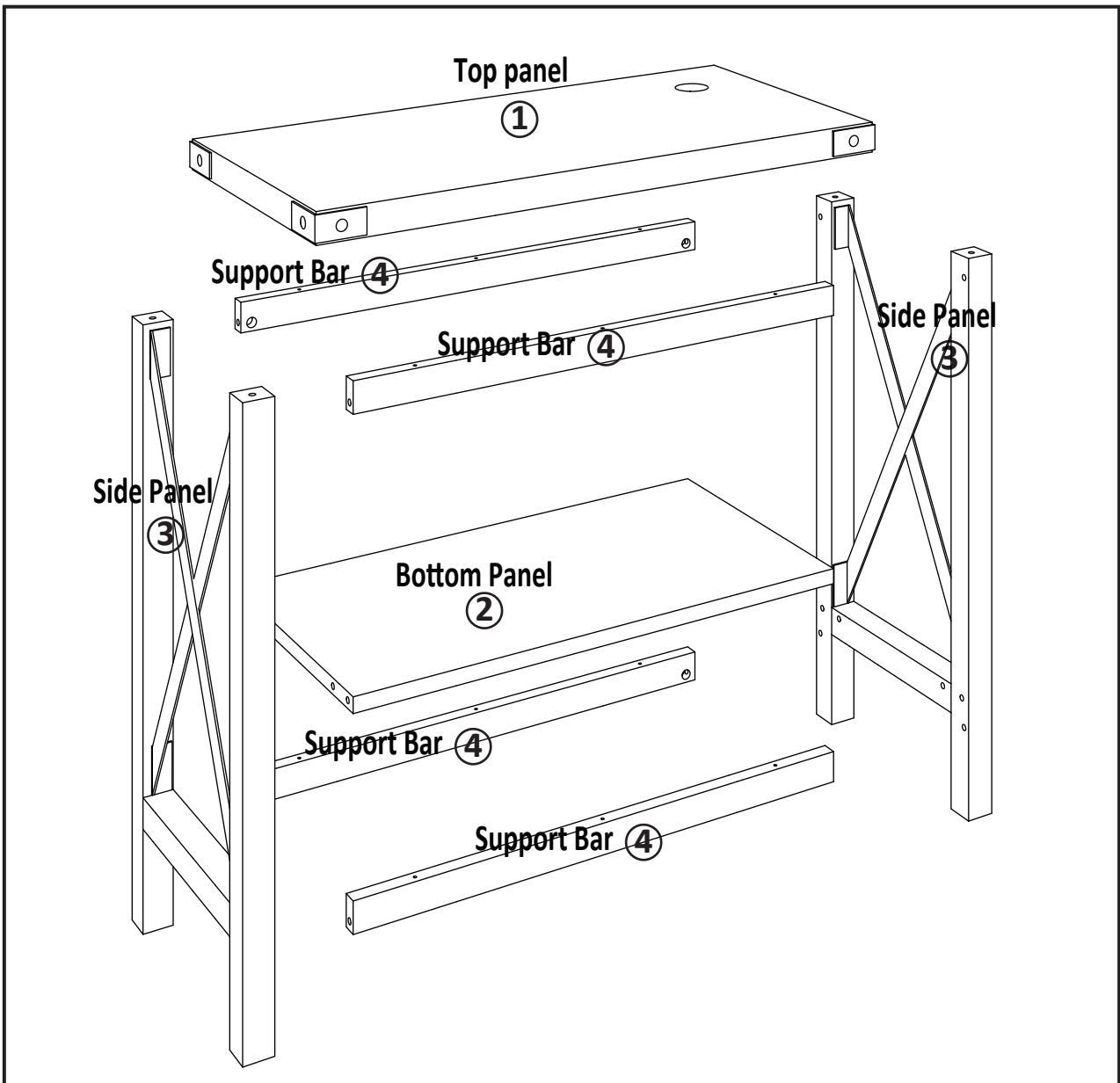
ASSEMBLY INSTRUCTIONS

We have designed our furniture with you , the customer in mind . Our clear , easy to follow , step by step instructions will guide you through the project from start to finish . Feel confident that this will be a fun and rewarding project . The final product will be a quality piece of furniture that will go together smoothly and give years of enjoyment .

Hardware List

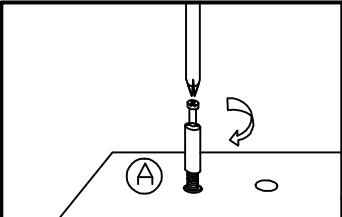
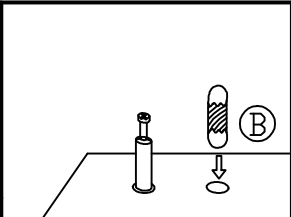
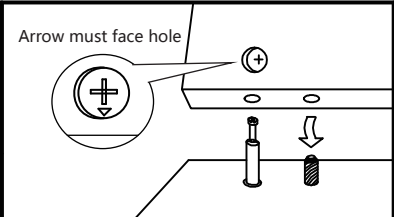
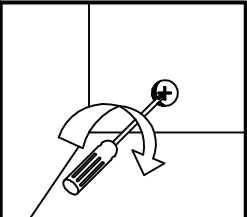
A 	B 	C 	D 	E 
Wood Dowel(8pcs)	Long Screw(12pcs)	Cam Lock (12pcs)	Cam Bolt (12pcs)	Socket Strip (1pc)
F 				
Glue (1pc)	Glue : For securing please apply to wood dowel first before inserting into panel .			

Panel List



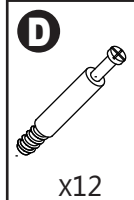
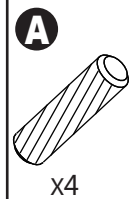
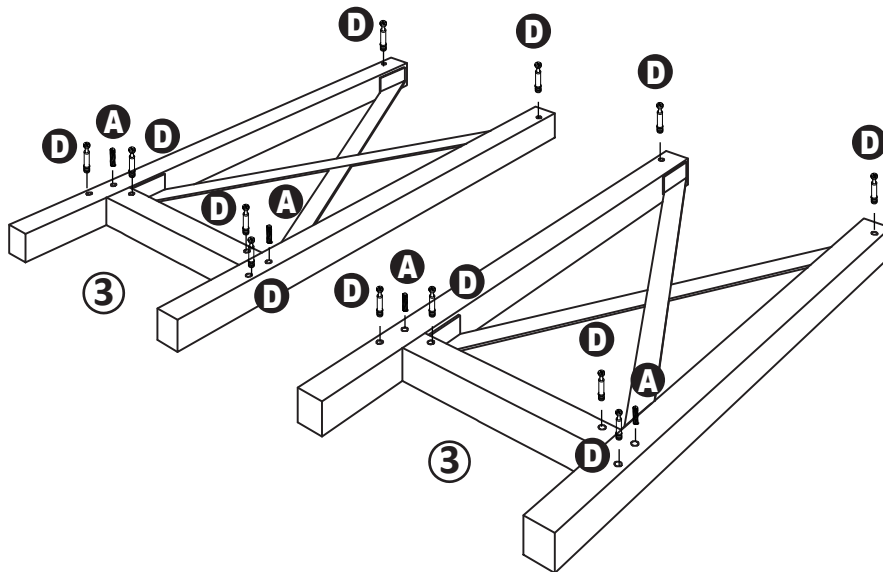
Please count and verify all parts before assembly .

Assembling the unit with camlocks and wood dowels.

			
Gently screw cambolt into the threaded anchor.	Lightly glue one end of the wood dowel and tap halfway into hole.	Lightly glue wood dowel and connect to second panel by inserting dowels into holes. Arrow must face hole.	Screw the camlock firmly into locked position.

Step 1

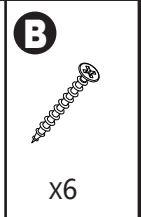
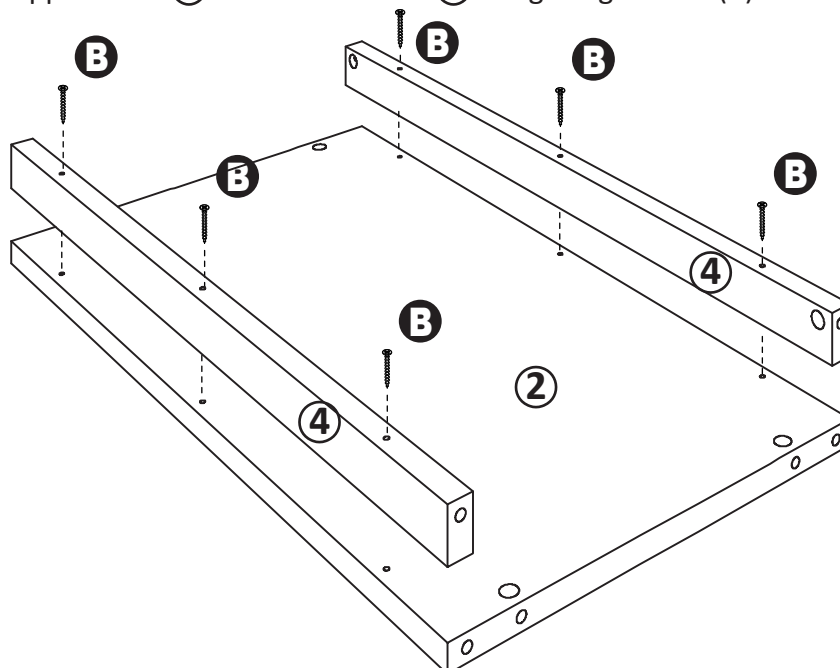
1. Screw Cambolts (D) into Side Panels (3) as shown.
2. Gently tap Wood Dowels (A) into Side Panels (3).



Step 2

*Assemble unit on carpet or other soft surface.

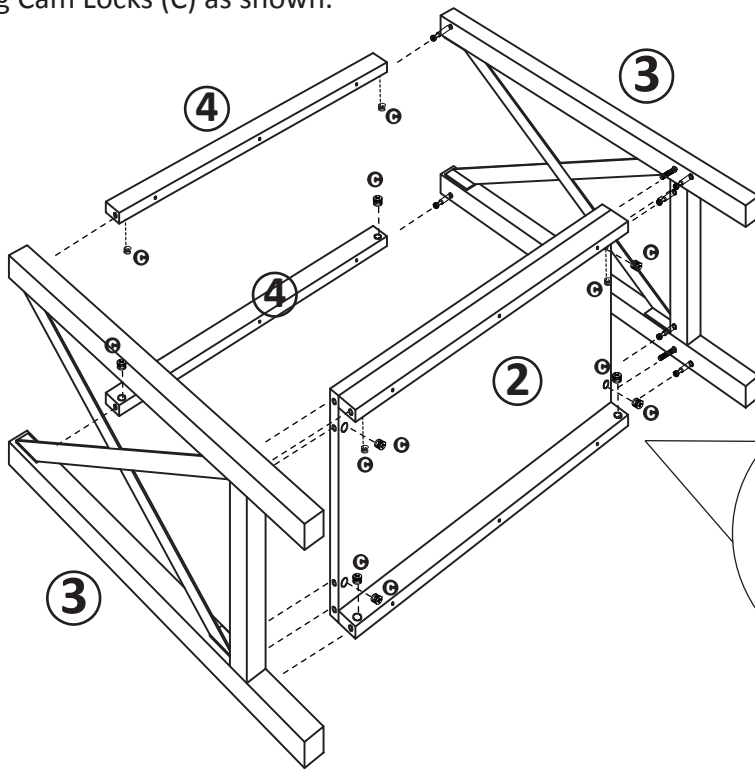
1. Connect Support Bars (4) to Bottom Panel (2) using Long Screws (B).



Step 3

*Assemble unit on carpet or other soft surface.

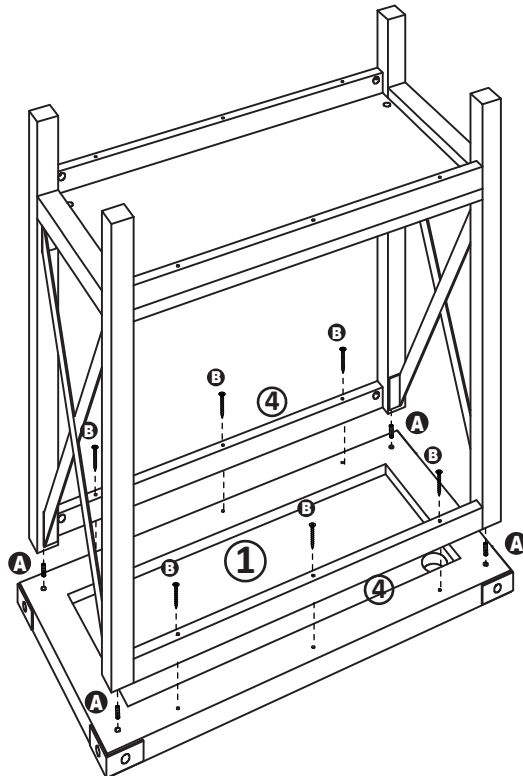
1. Carefully connect Side Panels (3) to Support Bars (4) and Bottom Panel (2) using Cam Locks (C) as shown.



Step 4

*Assemble unit on carpet or other soft surface.

1. Gently tap Wood Dowels (A) into Top Panel (1).
2. Connect Top Panel (1) to Support Bars (4) using Long Screws (B).



Step 5

Do not plug into outlet at this point .

- 1.Attach socket strip (E) to Top Panel
- 2.Enjoy !

E



x1

