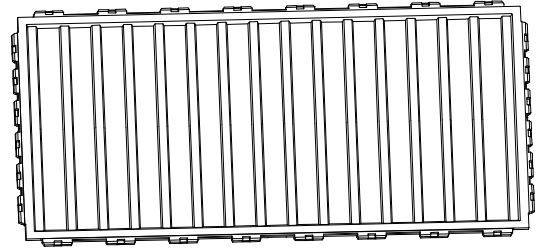
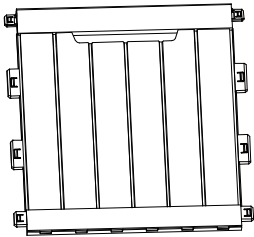


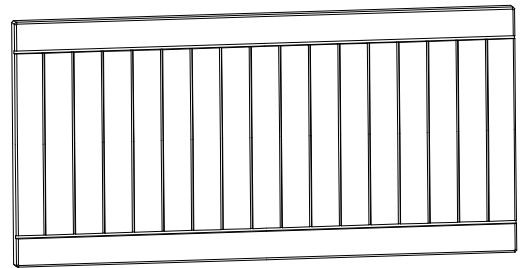
**A(X2)**



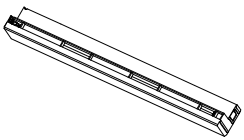
**D(X1)**



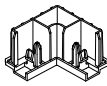
**B(X2)**



**J(X1)**



**G(X4)**



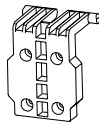
**F(X4)**



**(X1)1286X15X30**



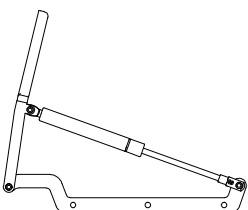
**T(X9)**



**E(X1)**



**(X2)1200X15X30**



**H(X2)**



**G(X1)**

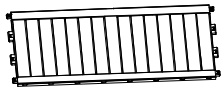


**I(X1)**



**M4x13mm  
(X35)**

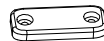
1



A(X1)

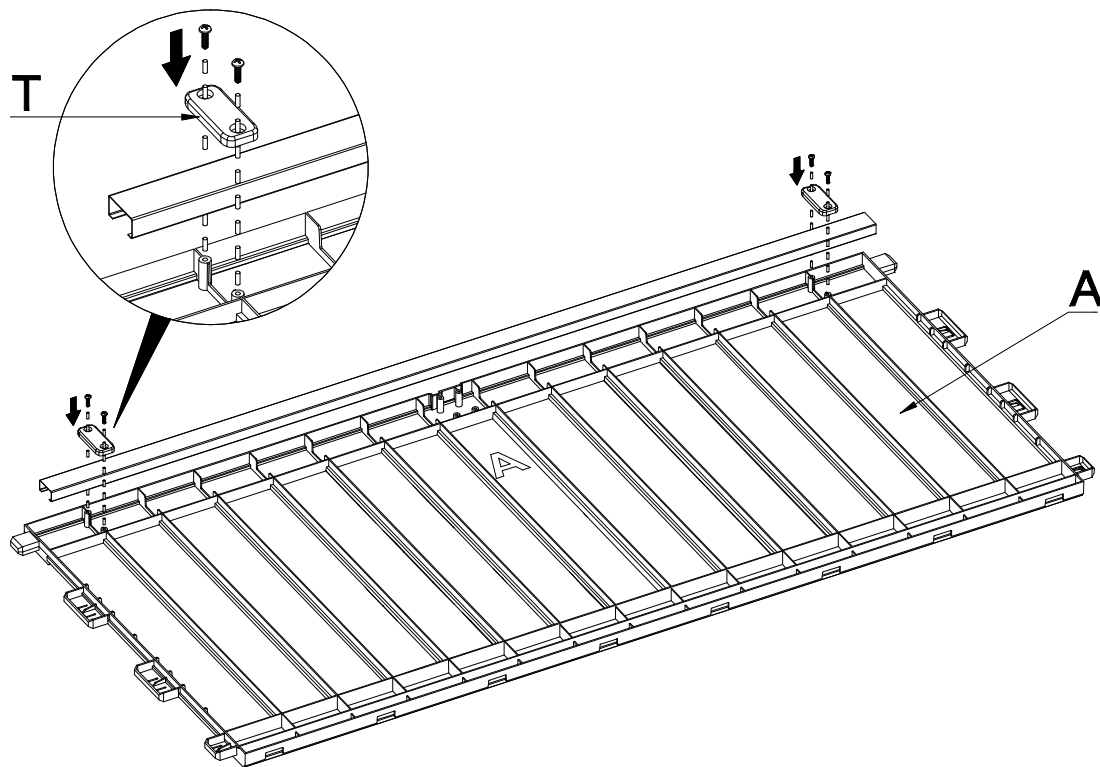


(X1)1200X15X30



T(X2)

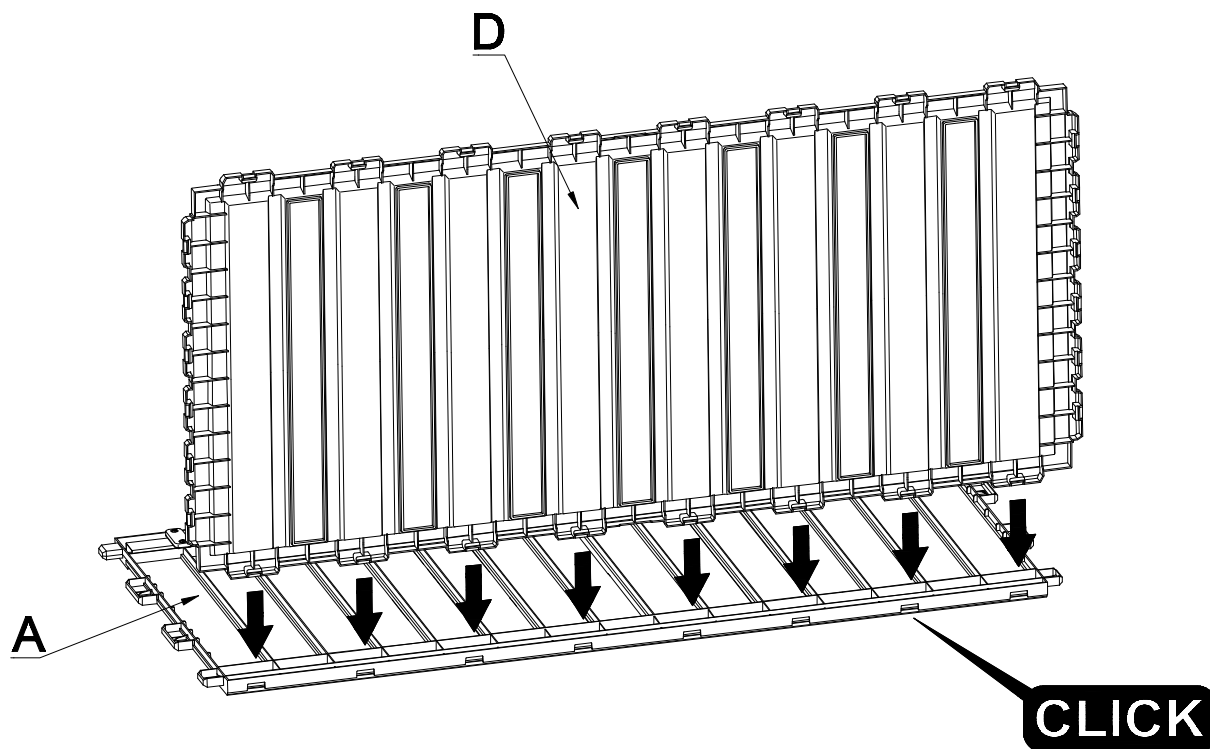
M4x13mm  
(X4)



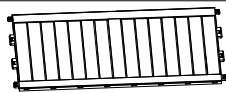
2



D(X1)



3



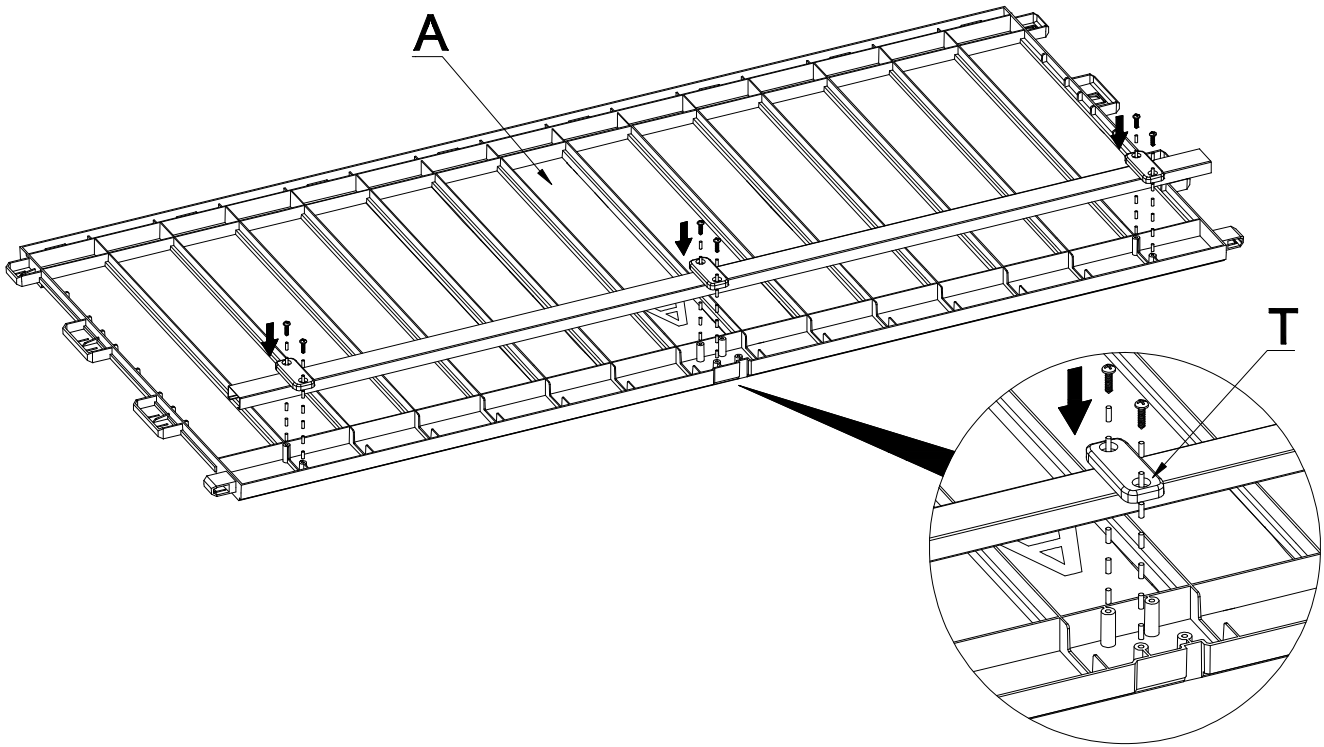
A(X1)

(X1)1200X15X30

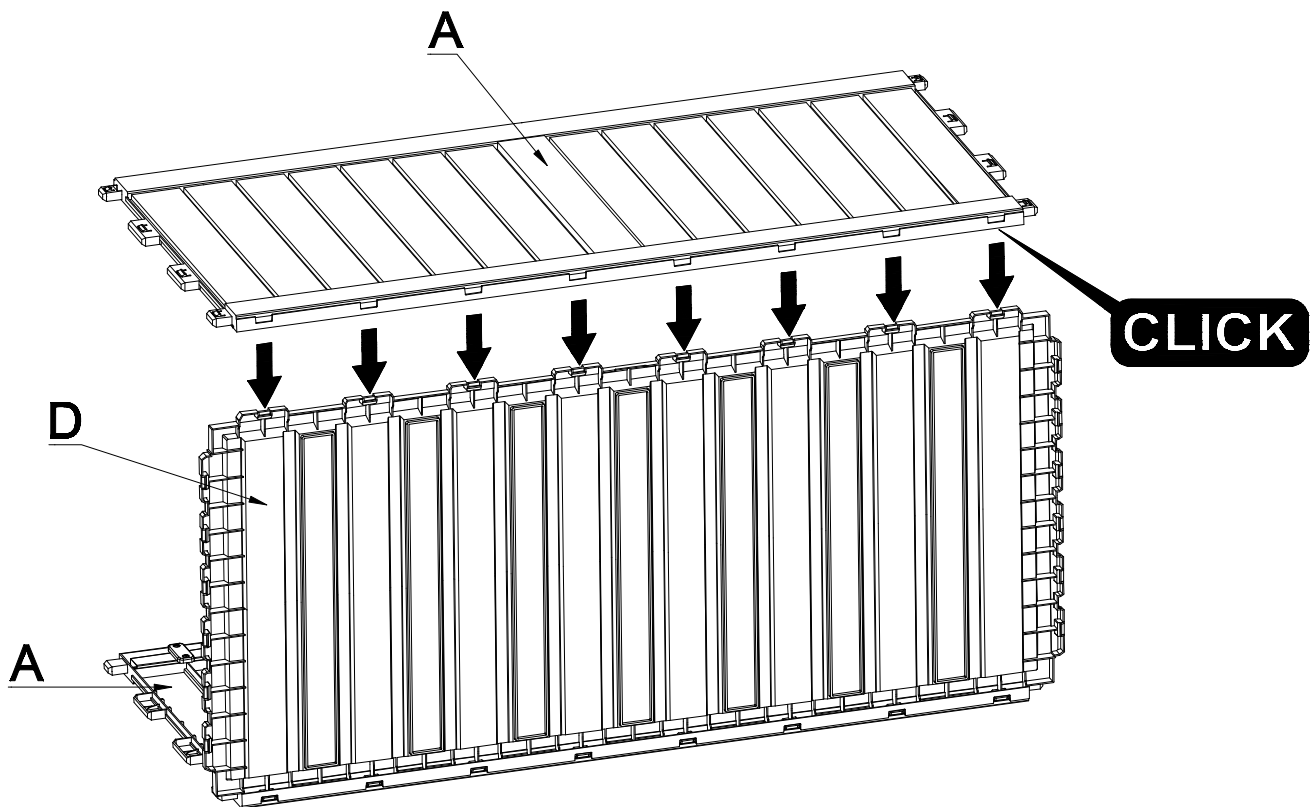


T(X3)

M4x13mm  
(X6)



4



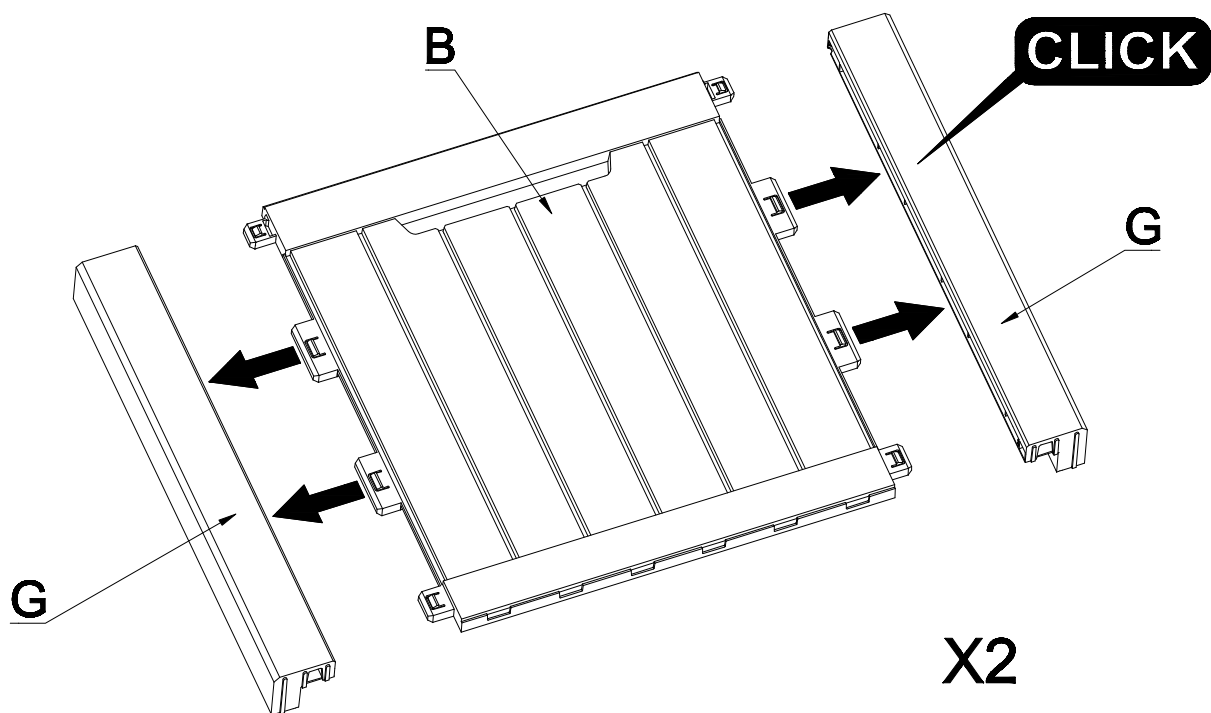
5



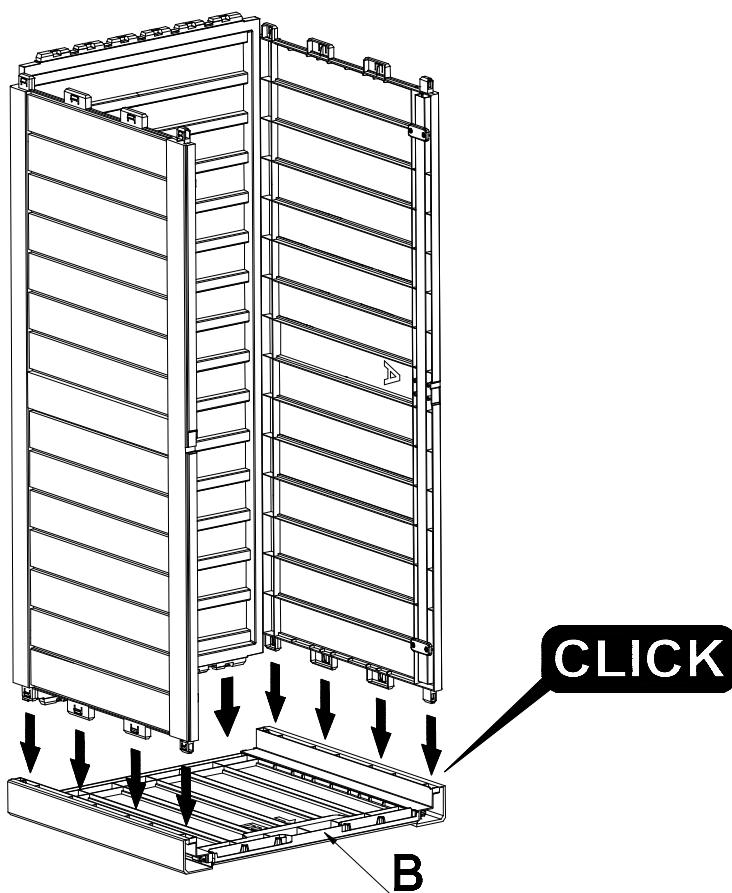
B(X2)



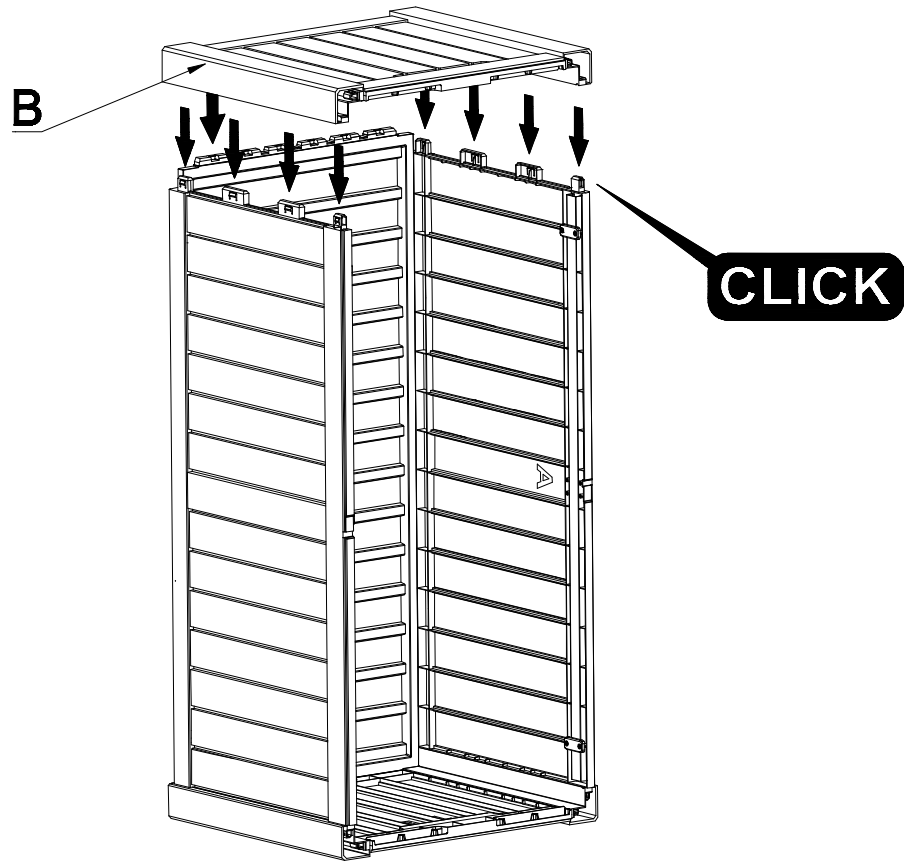
G(X4)



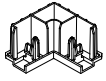
6



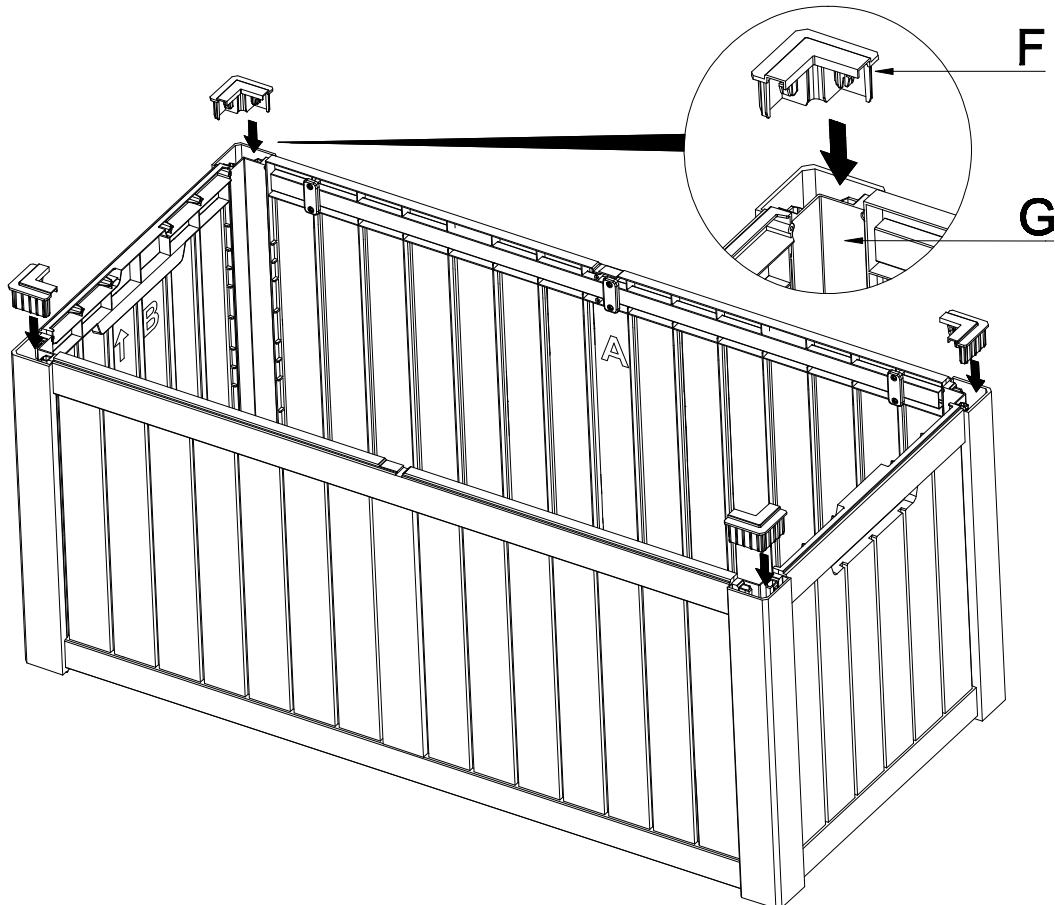
7



8



F(X4)



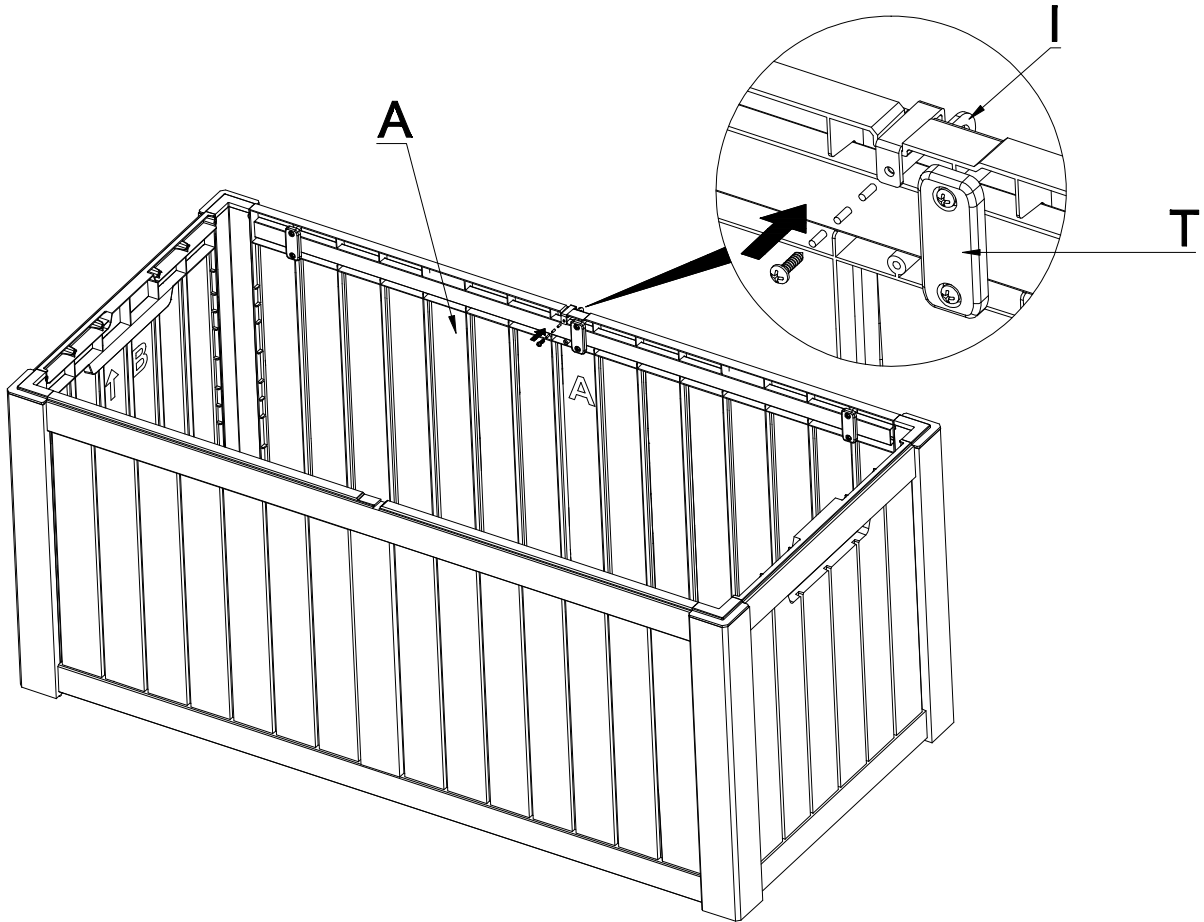
9



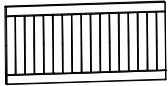
I(X1)



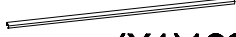
M4x13mm  
(X1)



10



J(X1)



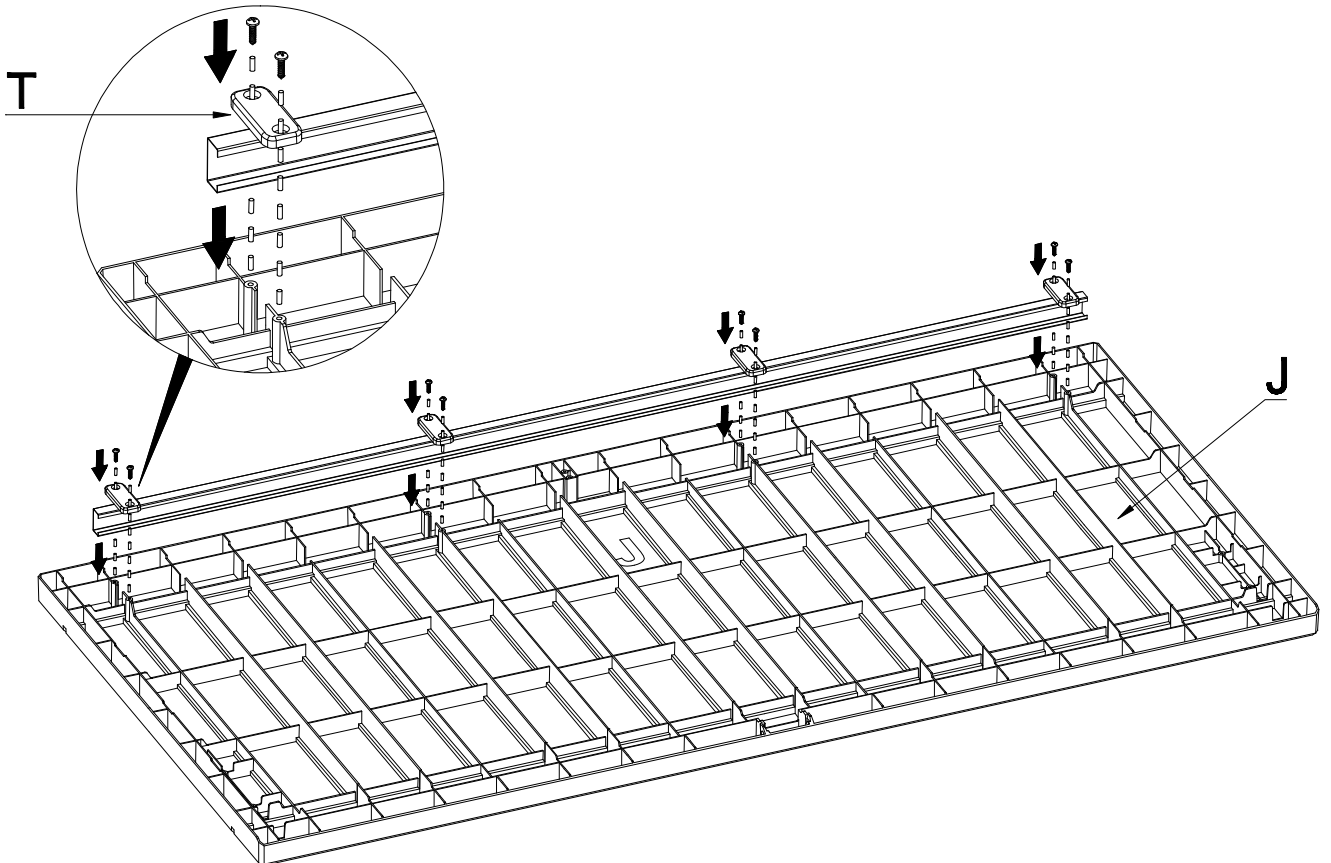
(X1)1286X15X30



T(X4)



M4x13mm  
(X8)



11



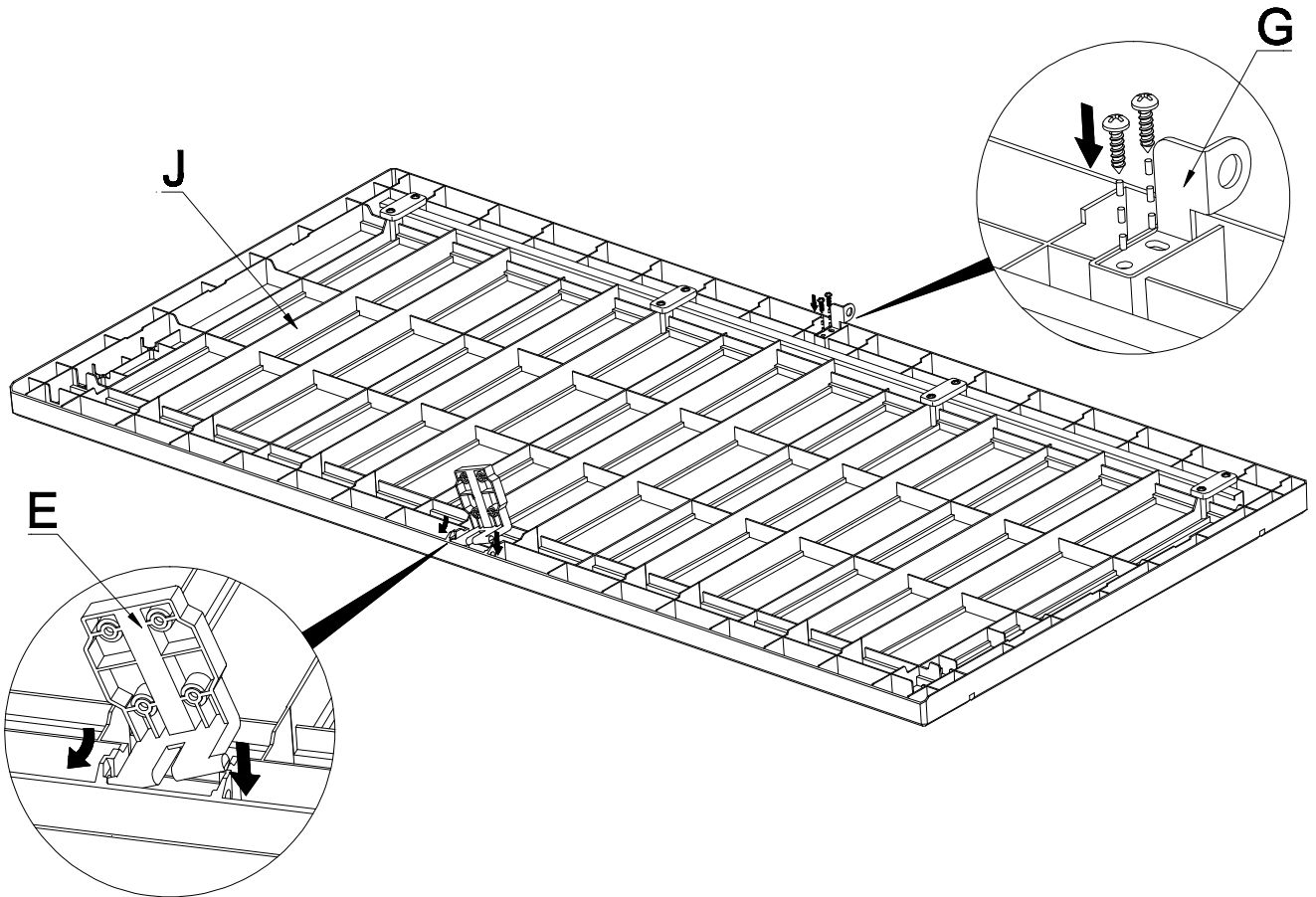
G(X1)



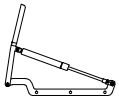
E(X1)



M4x13mm  
(X2)



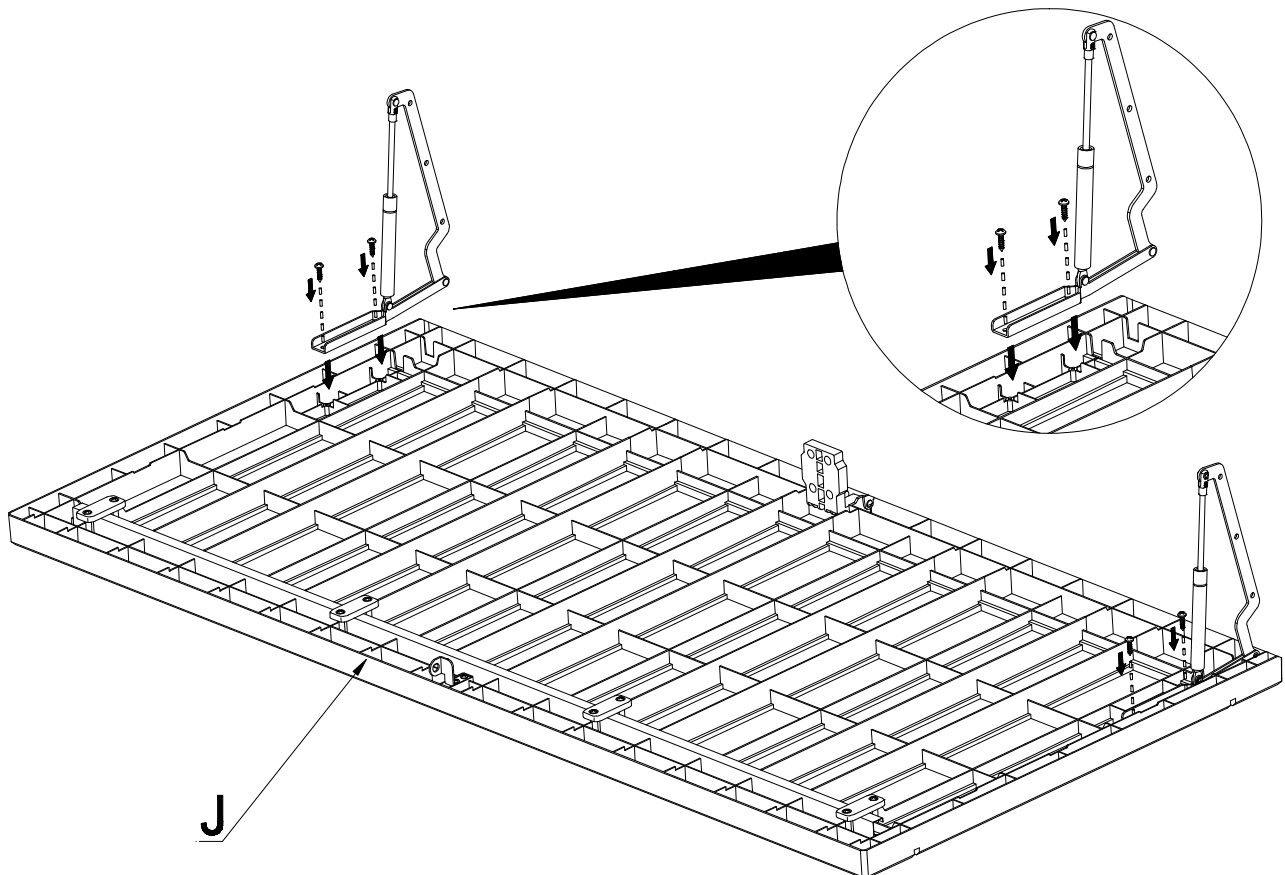
12



H(X2)

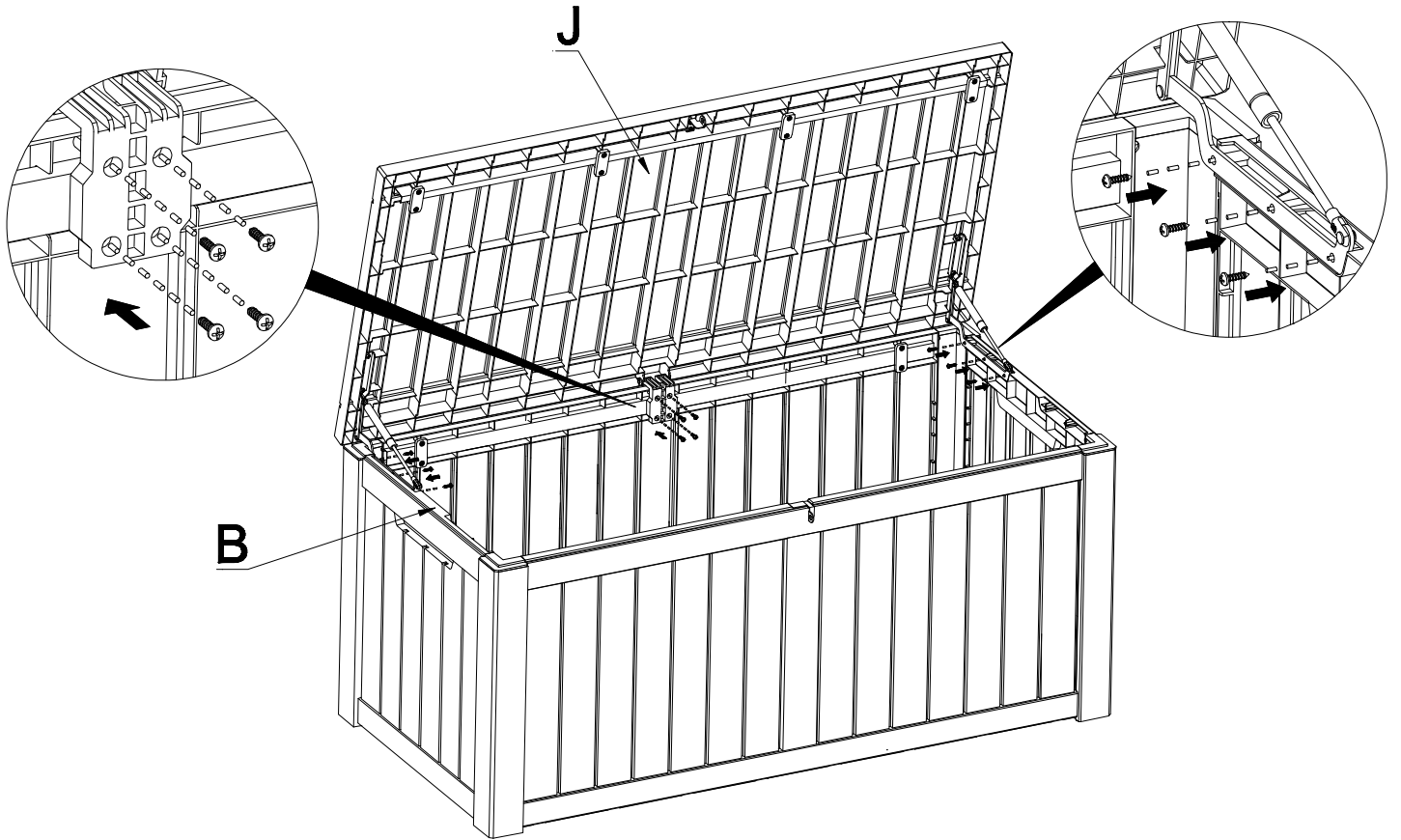


M4x13mm  
(X4)



13

M4x13mm  
(X10)



14

