

# 72" DOUBLE SINK BASE CABINET

## BASE CABINET DIMENSIONS

72" W x 21.5" D x 33.5" H



## FEATURES

- Solid wood frame with engineered wood panels
- Dovetail drawers and joints
- Soft closing doors & drawers

## HARDWARE FINISHES\*



Brushed Nickel    Satin Brass    Matte Black    Polished Chrome

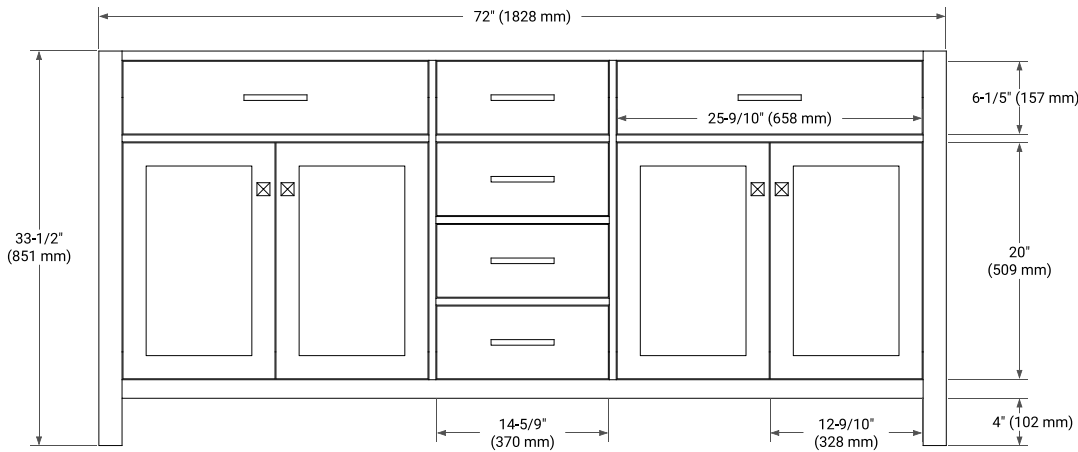
*Hardware comes preinstalled with the illustrated option. Other finishes are available on our online store if you prefer a different one.*

## AVAILABLE COLORS

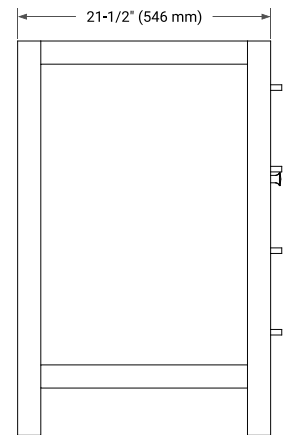


White    Grey

## FRONT VIEW



## SIDE VIEW



## PLAN VIEW

