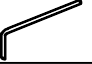


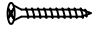


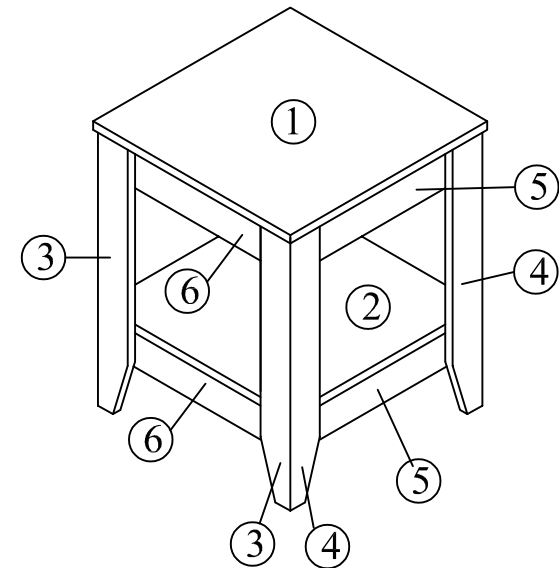
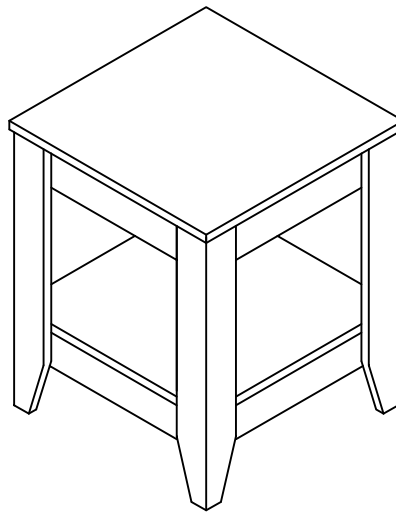


Assembly Instructions

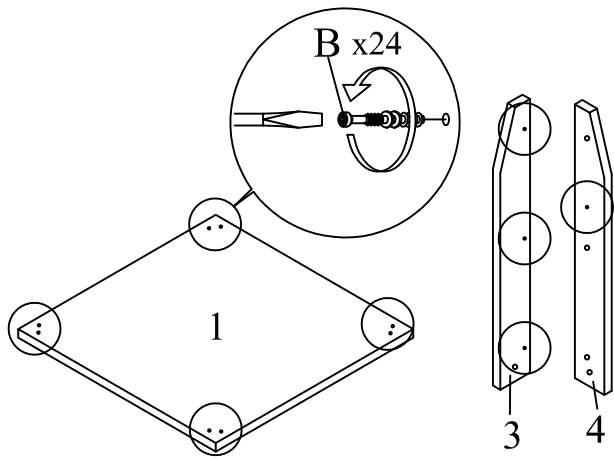
Side Table

Part List		QTY
1	Top Panel	1
2	Middle Panel	1
3	Leg Panel (L)	4
4	Leg Panel (R)	4
5	Small Vertical Panel	4
6	Large Vertical Panel	4

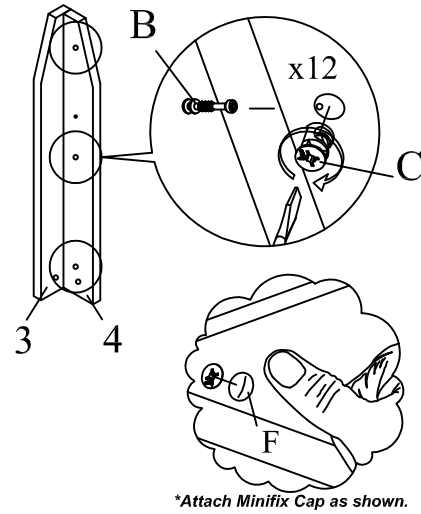
Hardware		QTY
A	Allen Key M4 	1
B	Mini Fix Bolt 	24
C	Mini Fix Housing 	24
D	CSK Screw M4x30mm 	16
E	White Nail 	8
F	Mini Fix Cap 	24



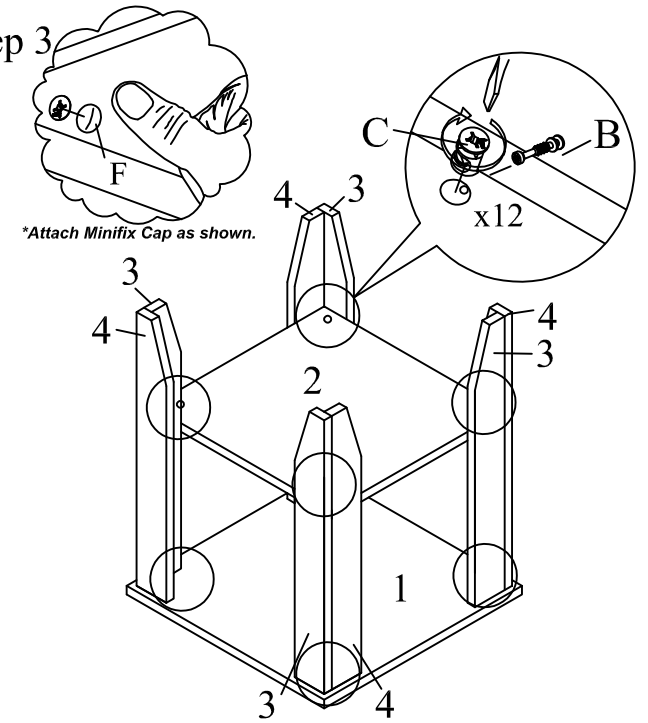
Step 1



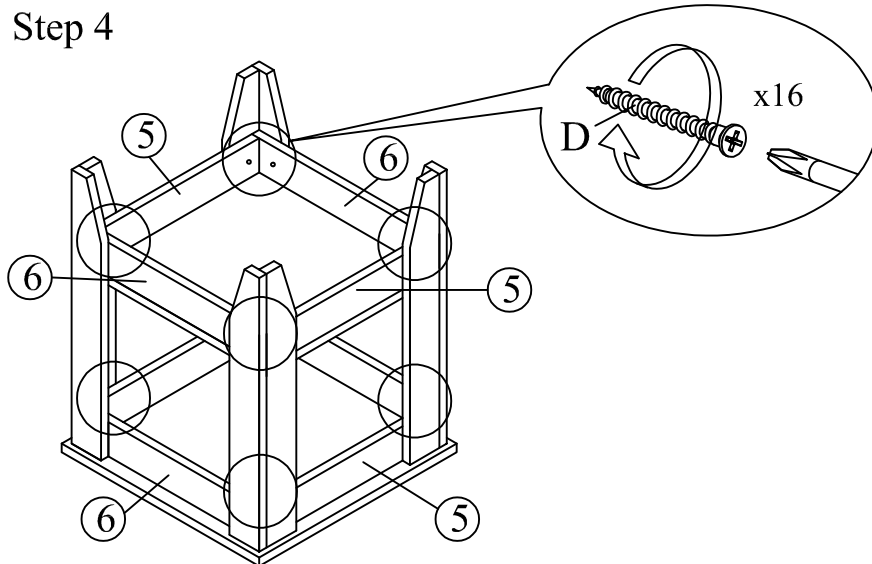
Step 2



Step 3



Step 4



Step 5

