

NOTICE

*Please make sure that you have all parts indicated and they are in good condition before you begin assembly of this item. Refer to part list and hardware list below for guidance.

*This item should be assembled on a soft surface to prevent scratching the finish during assembly.

*This item may require periodic tightening.

PREPARATION

* Before beginning assembly of product, make sure all parts are present. Compare parts with part contents list and hardware contents list.

* If any part is missing or damaged, do not attempt to assemble the product.

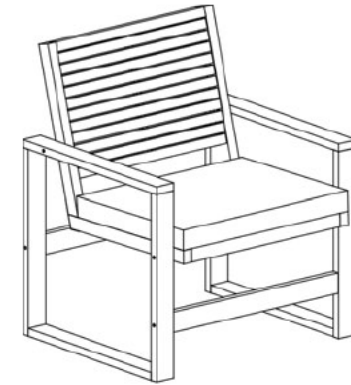
* Estimated Assembly Time: 10 minutes.

* **Tools Required for Assembly (included): Allen Key**

CARE AND MAINTENANCE

Store outdoor furniture indoors or cover well when not in use. Dust regularly with small brush or vacuum. Spills should be taken care of immediately before they harden or stain with a slightly damp sponge.

Product Dimensions: 24.4" W x 24.8" D x 33.5" H



Weight Capacity : 220 Ibs

Warning : Do not stand on chair

Warning : Do not over torque bolts / screws

Part List and Hardware List

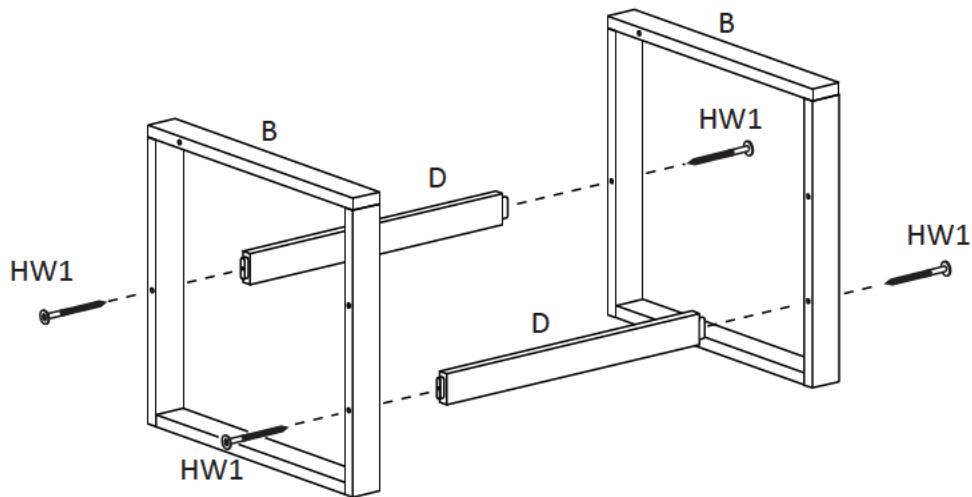
| PIECE | DESCRIPTION | PICTURE | QUANTITY |
|-------|--------------------------|---------|----------|
| A | Seat Frame | | 1X |
| B | Leg frame | | 2X |
| C | Back Frame | | 1X |
| D | Cross bar of leg | | 2X |
| CSH1 | Seat cushion | | 1X |
| HW1 | Screw: M7 x0.5 x90 mm | | 6X |
| HW2 | Screw: M4 x0.5 x20 mm | | 4X |
| HW3 | Allen Bolt: M8x0.5x75 mm | | 4X |

| PIECE | DESCRIPTION | PICTURE | QUANTITY |
|-------|--------------------------|------------------|----------|
| HW4 | Sleeve nut: M8 x0.5x15mm | | 4X |
| HW5 | Reinforcement plate | | 2X |
| HW6 | Allen key 4 | | 2X |
| HW7 | Allen key 5 | | 1X |
| HW8 | Screw driver | Not Provided | 1X |

PREPARATION

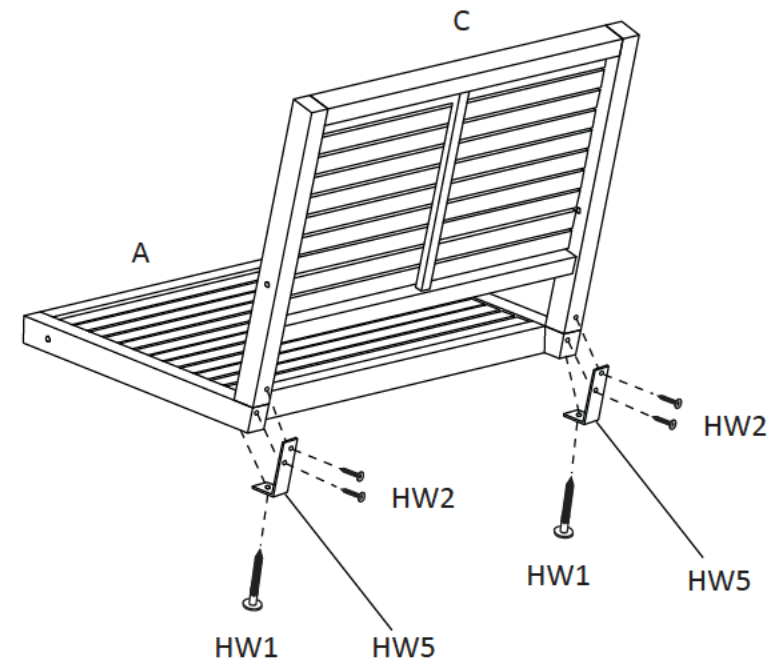
- *Before beginning assembly of product, make sure all parts are present. Compare parts with package contents list and hardware contents list.
- *If any part is missing or damaged, do not attempt to assemble the product.
- * Estimated Assembly Time : 10 minutes.
- * Tools Required for Assembly (included): Allen Key

1



Step 1
Attach leg frame (B) to bar (D), Screw (HW1), tighten with allen key (HW7)

2

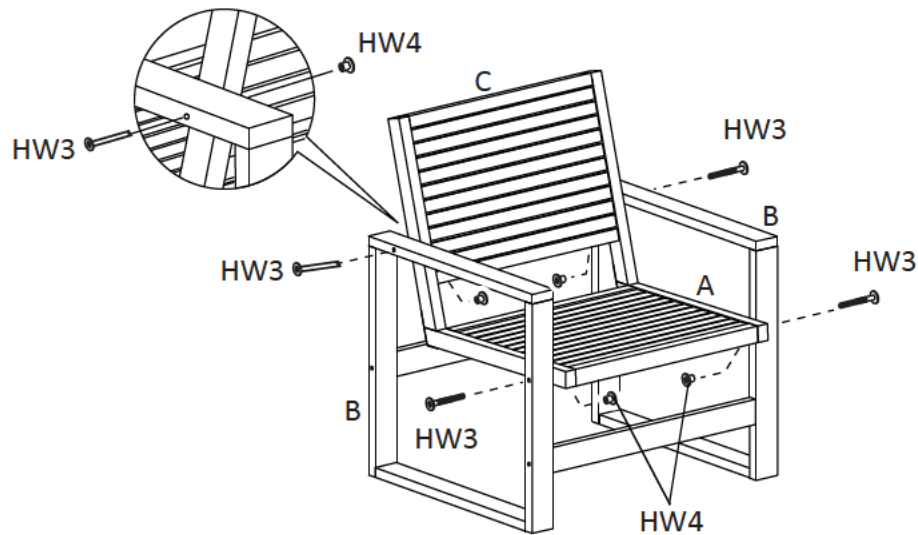


Step 2
Attach Seat (A) to Back (C), taken Screw (HW1) to Reinforcement plate (HW5) & Seat (A), using allen key (HW7) to tighten(HW1).
Using (HW2) attach (HW5) & (C),using (HW8) to tighten (HW2).

PREPARATION

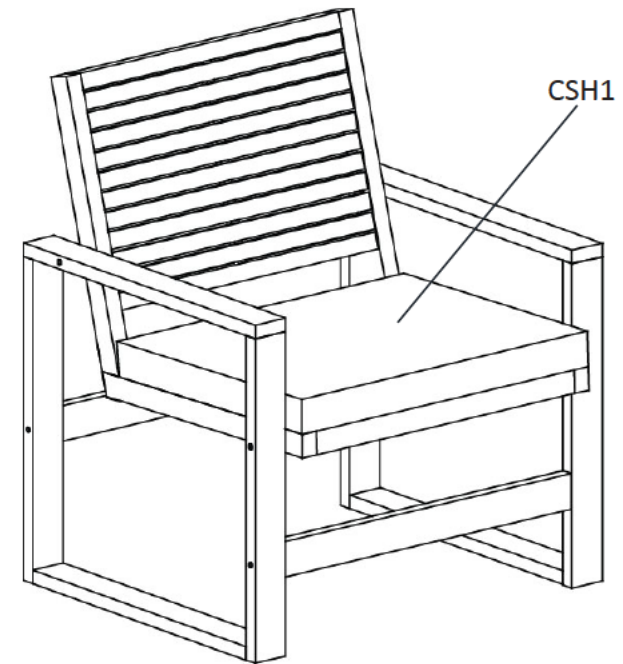
- *Before beginning assembly of product, make sure all parts are present. Compare parts with package contents list and hardware contents list.
- *If any part is missing or damaged, do not attempt to assemble the product.
- * Estimated Assembly Time : 10 minutes.
- * Tools Required for Assembly (included): Allen Key

3



Step 3
(C) & (A) attached to legs frame (B). Using bolt (HW3) and sleeve nut (HW4) tighten by (HW6).

4



Step 4
Put Seat Cushion (CSH1) on the Chair. The Chair is ready to be used