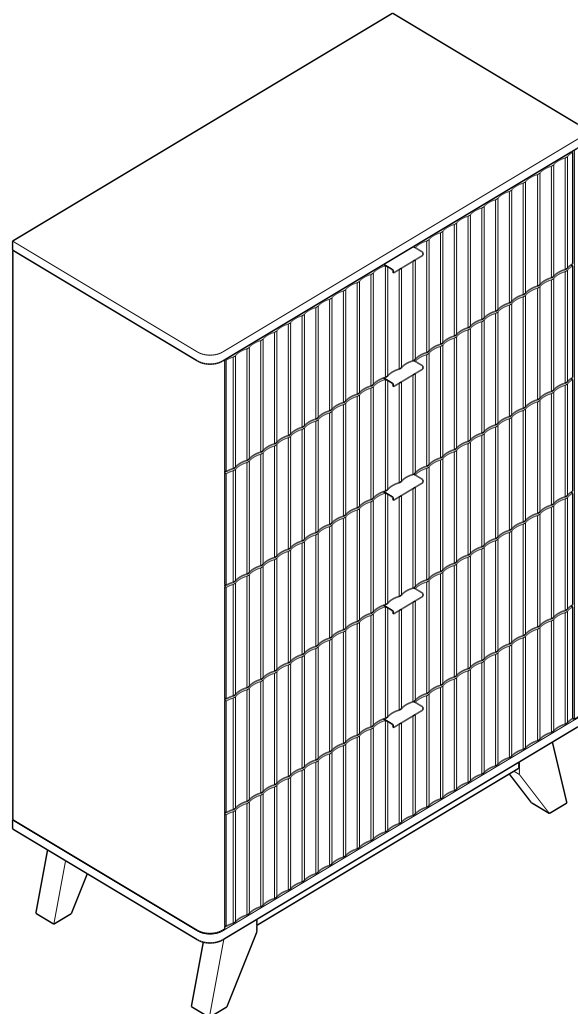


## 5-DRAWER STORAGE CABINET



Please contact us via email if parts are missing or damaged, we will gladly ship your replacement parts free of charge

### **⚠ IMPORTANT**

THIS INSTRUCTION BOOKLET CONTAINS IMPORTANT SAFETY INFORMATION.  
PLEASE READ AND KEEP FOR FUTURE REFERENCE.

# RETURN & WARRANTY

## Thank you for choosing our product!

We would like to take this opportunity to thank you for choosing us.

We hope that you are completely satisfied with your purchase, and enjoy it for years to come.

**Your satisfaction is our highest pursuit.**

## Return policy

WE believe you will absolutely love your furniture, but if for some reason you want to return the product, please contact us directly before you decide to return your product to the retailer. Our Customer Service organization can answer most concerns and can assist you with any questions you may have about your new product.

The item must be returned in good condition, in original box, with all original proof of purchase, parts and accessories, within the time frame specified by the retailer it was purchased from.

## Warranty

The warrants this product to be free from defects in material and workmanship agrees to remedy any such defect. This warranty covers one year from the date of original purchase. This is solely limited to be repair or replacement of defective parts and no assembly labor is included.

This warranty does not apply to any product which has been improperly assembled, subjected to misuse or abuse or which has been altered or repaired in any way.

Components repaired or replaced warranted through the remainder of the original warranty period only. The defective components will be repaired or replaced without charge, subject to the terms and conditions described above.

For help with assembly, identifying parts, product information or to order parts, please contact us freely.

# BEFORE STARTING

## Before Using Product



- Read each step carefully before starting. It is very important that each step is performed in the correct order. If these steps are not followed in sequence, assembly difficulties will occur.



- Make sure all parts are included. Most board parts are labeled or stamped on the raw edge.

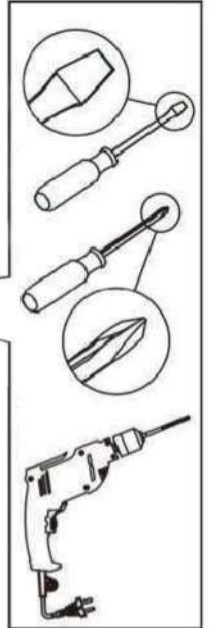
- Prepare a flat and Philips screwdriver (not included) A Power Screwdriver is recommended.



- Work in a spacious area and near where the unit will be used, preferably on a carpet, or use a piece of the cardboard packaging to protect your floor and product.



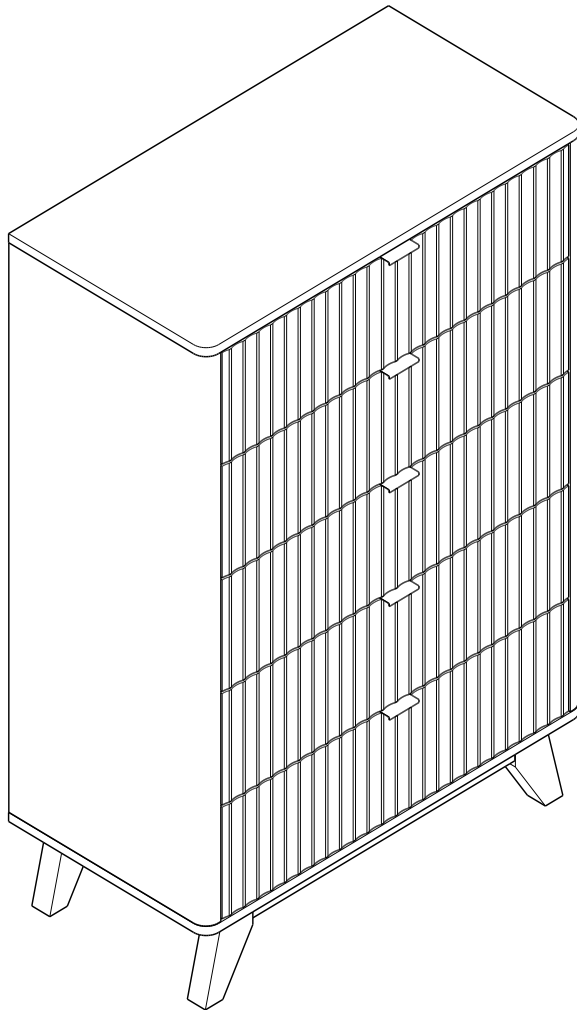
- For a smooth assembly process, we suggest you keep a lite tightness for all the screws during assembly. After the whole product is assembled, firmly tighten all the screws.



## **!** WARNING :

- Do not allow children to climb on unit
- Serious or fatal crushing injuries can occur from furniture tip-over. To prevent this furniture from tipping over, it must be permanently fixed to the wall. Fixing devices for the wall are not included since different wall materials require different types of fixing devices. Use fixing devices suitable for the walls in your home. For advice on suitable fixing systems, contact your local specialized dealer
- Avoid sharp objects or corrosive chemicals to prevent damage to the product
- During assembly, keep parts and packaging materials away from children and pets as there could be potential injury and choking hazards

# ASSEMBLY TIPS



## OVERALL SIZE:

30"W\*15.6"D\*44.9"H

## FEATURES:

Fluted Dresser  
Curved Edge



Estimated Time for Assembly

**120-150 mins**



Estimated People For Assembly

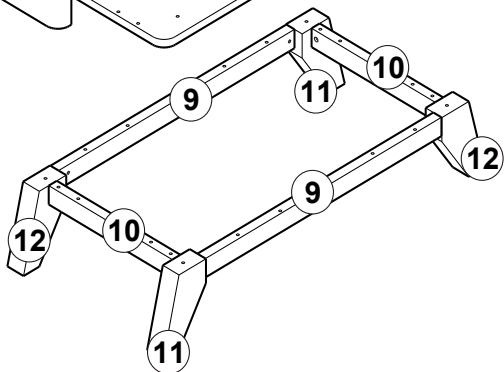
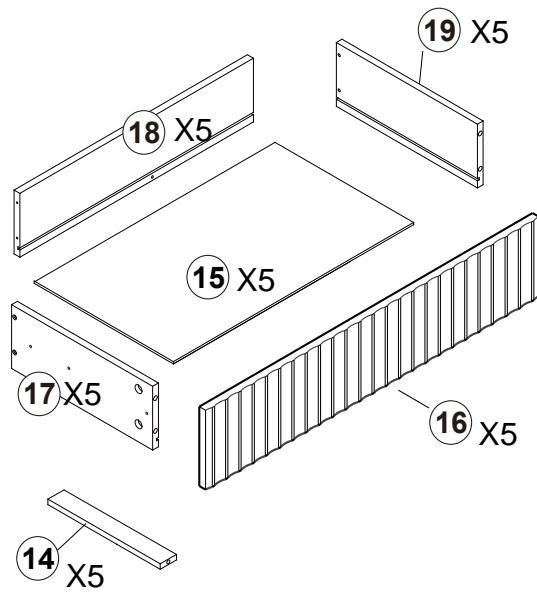
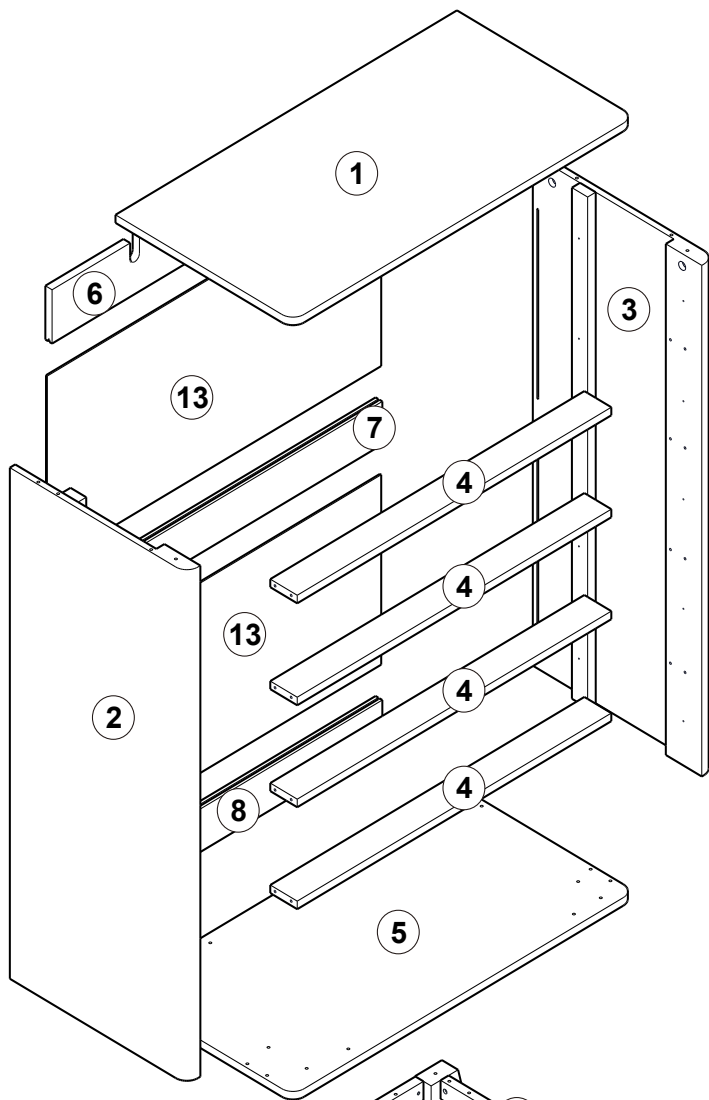
**2**

## Caution:

1. This product is designed for home use and not intended for commercial use.
2. This product contains small components. Please ensure that they are kept away from small children.
3. Be careful when using power tools to assemble your furniture. Power tools may strip or damage the parts.

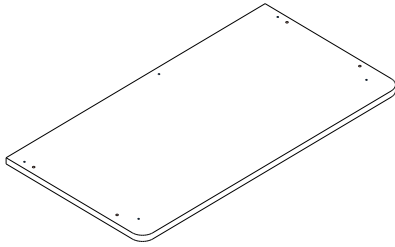
# IDENTIFY PARTS

One unit per box



# COMPONENTS

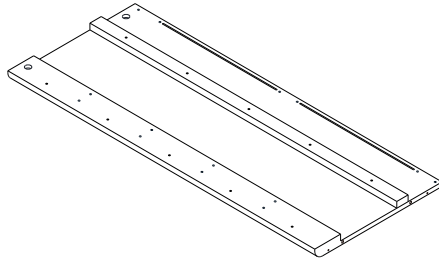
1



760x395x15mm

Top Panel x1

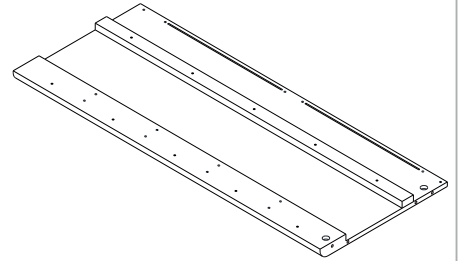
2



950x394x30mm

Left Side Panel x1

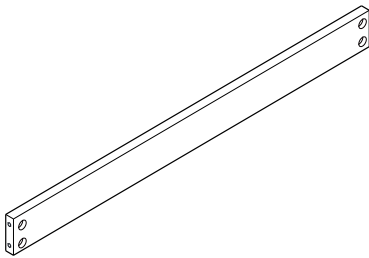
3



950x394x30mm

Right Side Panel x1

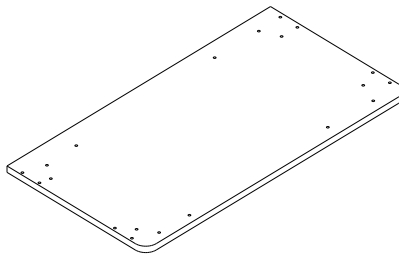
4



699x60x15mm

Connecting Panel x4

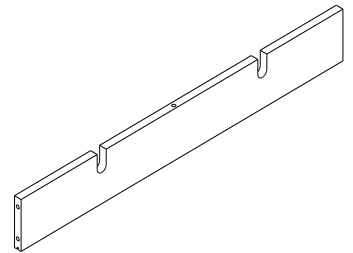
5



760x395x15mm

Bottom Panel x1

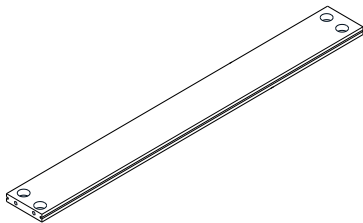
6



735x100x15mm

Panel x1

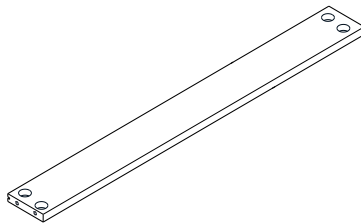
7



735x80x15mm

Wood Strip x1

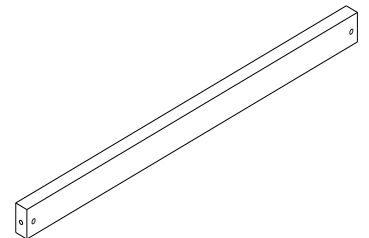
8



735x80x15mm

Wood Strip x1

9

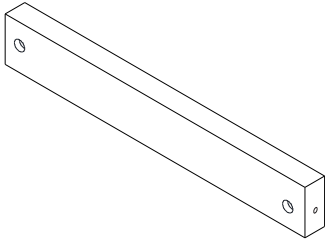


600x40x18mm

Leg Panel x2

# COMPONENTS

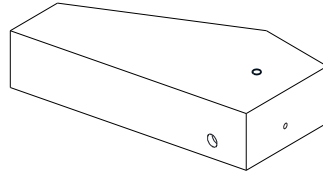
10



275x40x18mm

Leg Panel x2

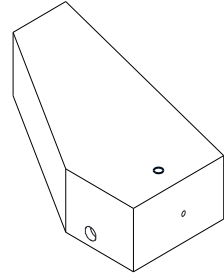
11



190x60x36mm

Leg x2

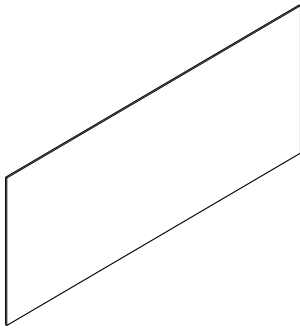
12



190x60x36mm

Leg x2

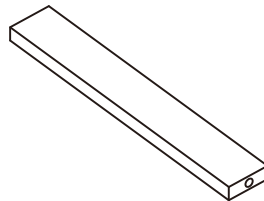
13



743x355x3mm

Back Panel x2

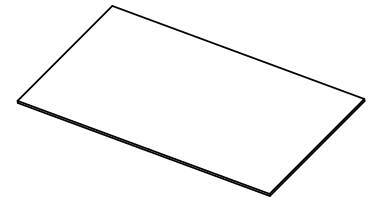
14



327x40x12mm

Drawer Bottom Support Bar x5

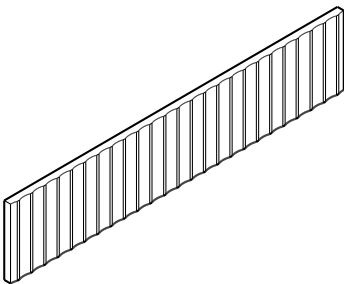
15



658x326x3mm

Drawer Bottom Panel x5

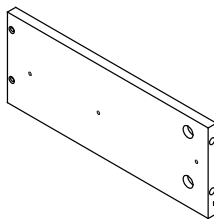
16



693x186x15mm

Drawer Front Panel x5

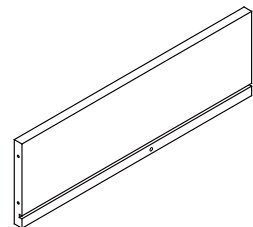
17



340x129x12mm

Drawer Left Side Panel x5

18

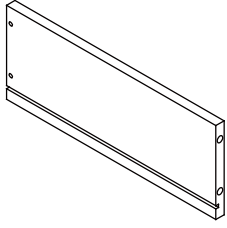


650x129x12mm

Drawer Back Panel x5

# COMPONENTS

19



340x1259x12mm

Drawer Right Side Panel x5

# COMPONENTS

A



+2(spare)

M6x35mm

Cam Bolt x62

B

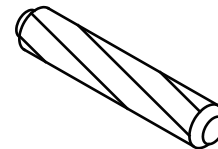


+2(spare)

M15x10mm

Cam Lock x62

C

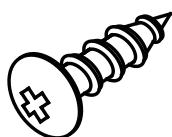


+1(spare)

M6x30mm

Wood Dowel x16

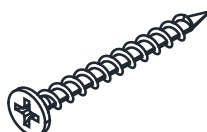
D



M4x12mm

Handle Screw x10

E

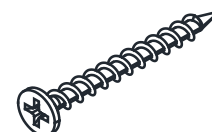


+1(spare)

M4x35mm

Screw x37

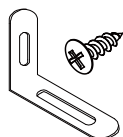
F



M4x40mm

Screw x6

G



L-Shaped Bracket & Screw x2

H

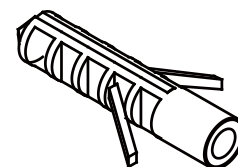


+2(spare)

M3.5x12mm

Screw x50

I



M5x30mm

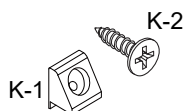
Plastic Anchor x2

J



Drawer Slide x10

K



Mending Wedge & Screw x8

L

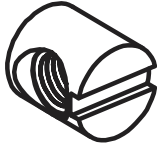


M6x55mm

Bolt x4

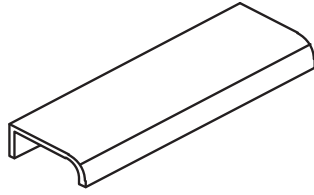
# COMPONENTS

M



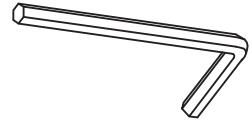
Cross Dowel x4

N



Handle x5

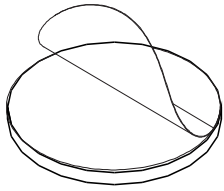
O



M4

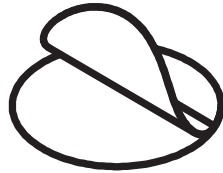
Allen Wrench x1

P



Foot Pad x4

Q



Screw Hole Sticker x16

# ASSEMBLY STEPS

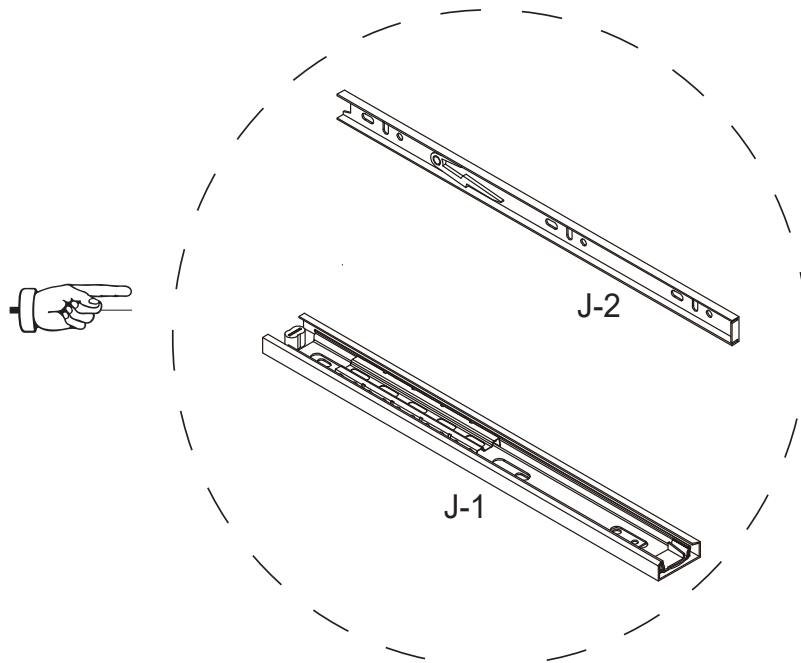
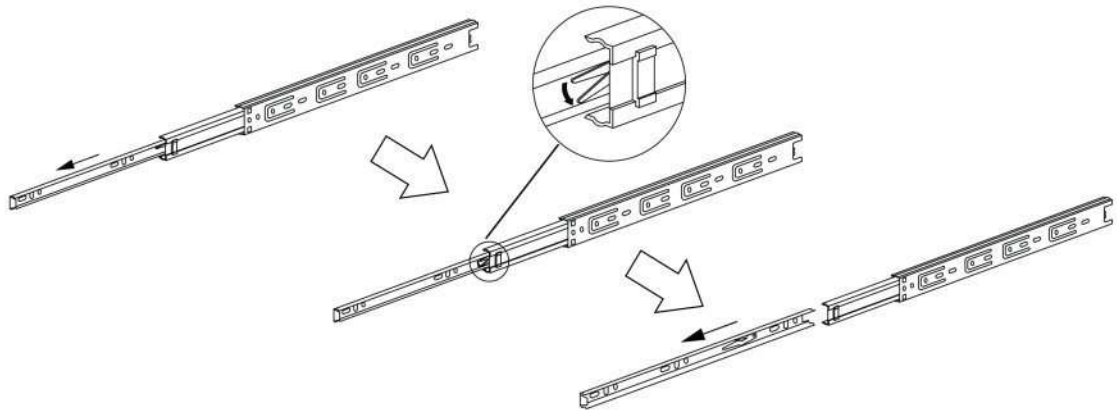
J x10



## STEP 1

Press down the lever on the drawer slide (J) to divide it into two parts, J-1, J-2.

Hardware disassembly example

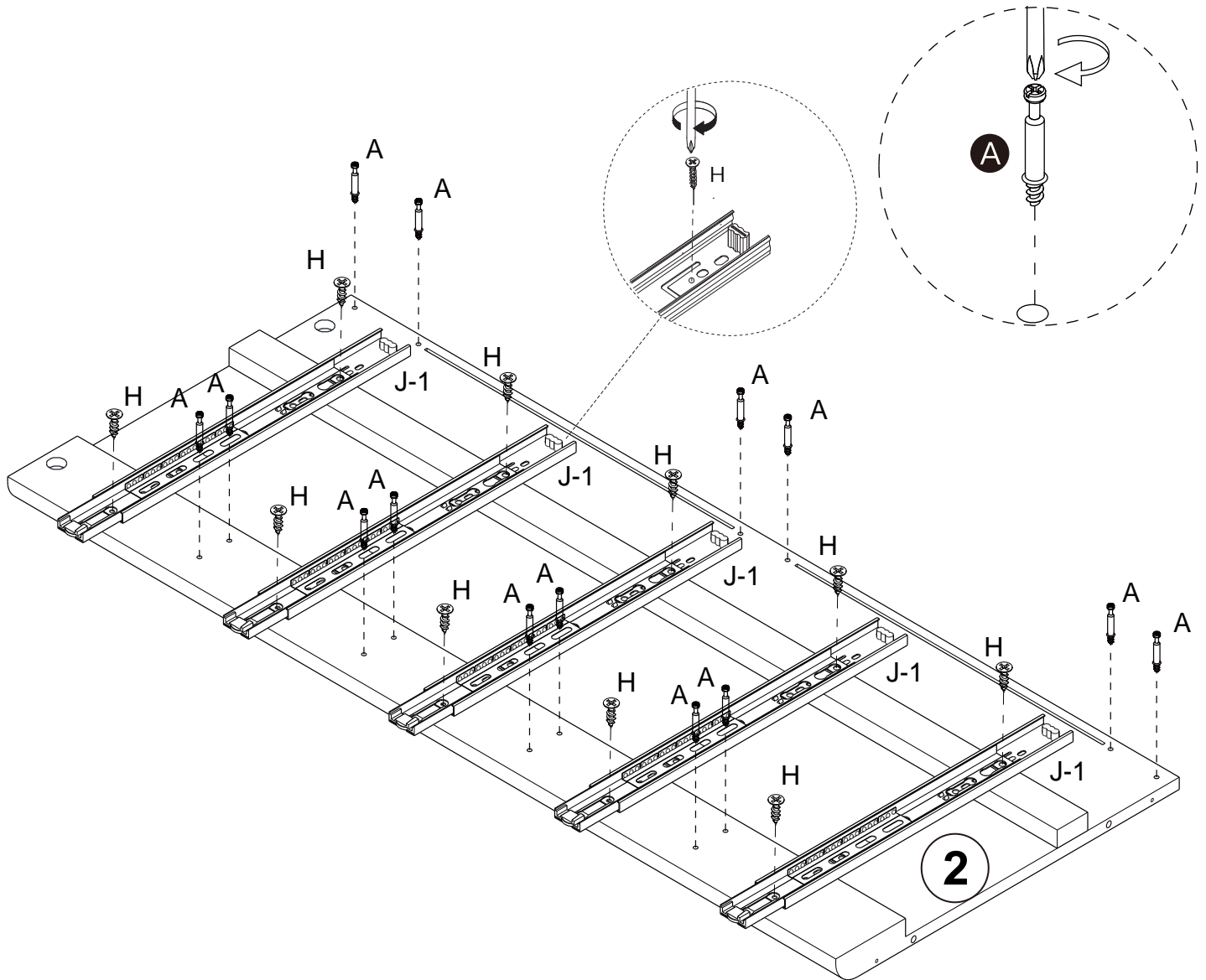


# ASSEMBLY STEPS

|       |   |       |   |       |  |
|-------|---|-------|---|-------|--|
| A x14 |  | J x 5 | J-1  | H x10 |  M3.5x12 |
|-------|---|-------|---|-------|--|

## STEP 2

1. Screw the cam bolt (A) into the panel (2).
2. Align the holes on the drawer slide (J-1) with the holes on the panel (2), and then fix the drawer slide on panel (2) with screw (H).



# ASSEMBLY STEPS

A x14



J x 5

J-1

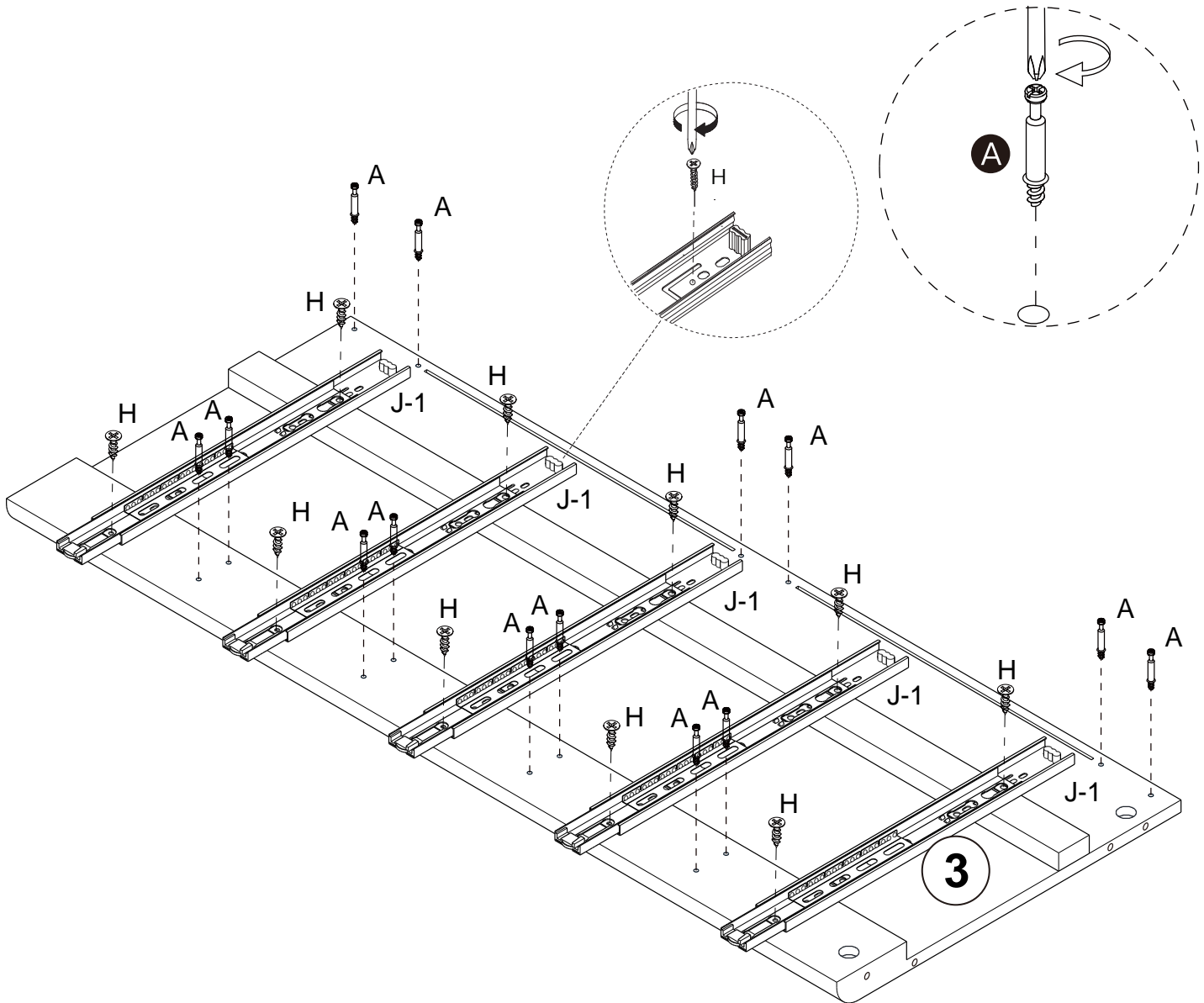


H x10



## STEP 3

1. Screw the cam bolt (A) into the panel (3).
2. Align the holes on the drawer slide (J-1) with the holes on the panel (3), and then fix the drawer slide on panel (3) with screw (H).



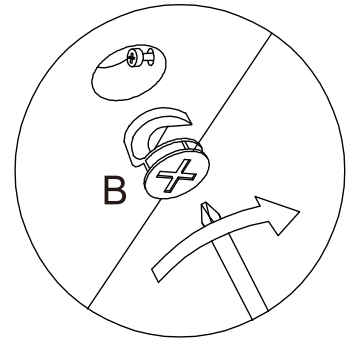
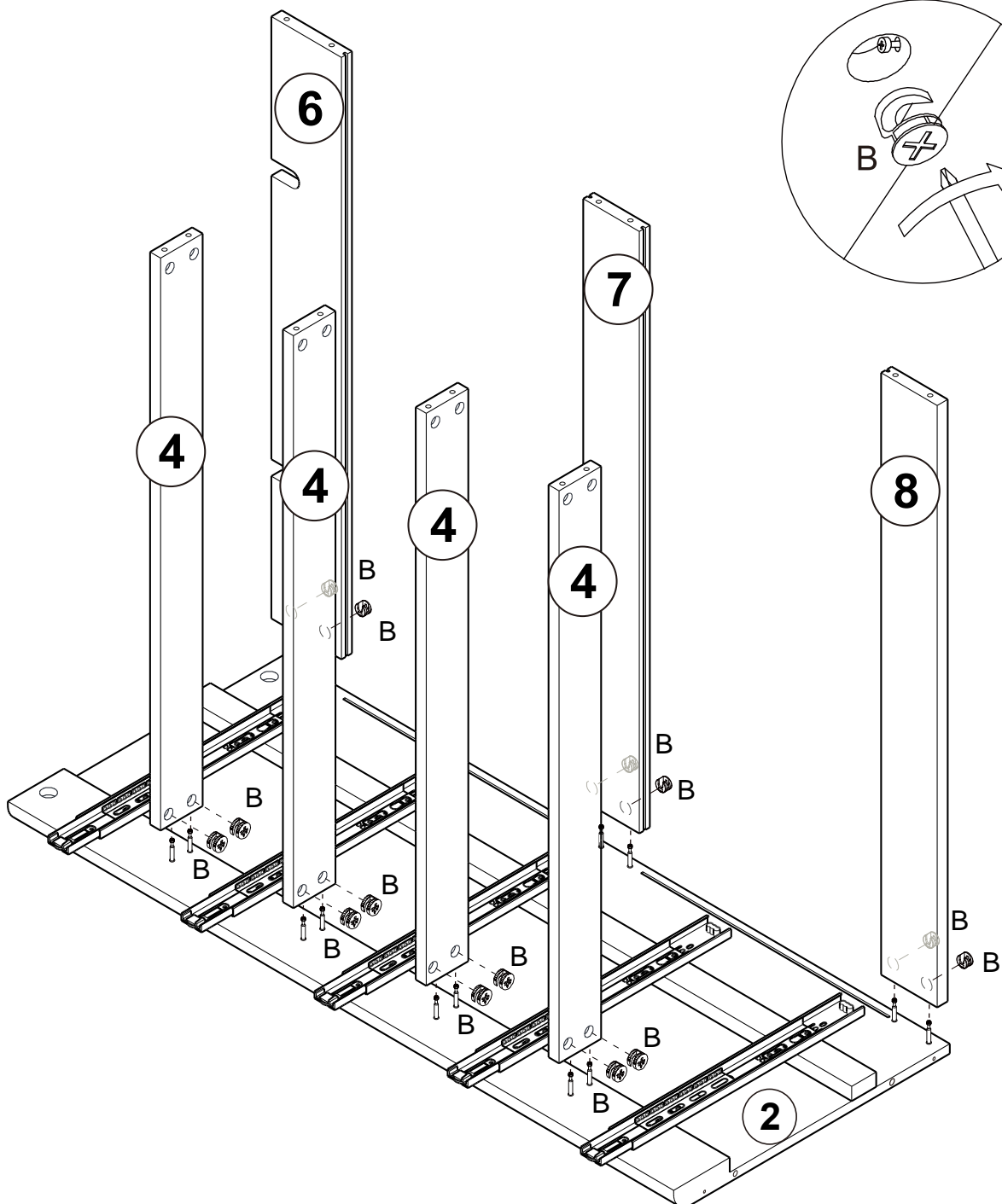
# ASSEMBLY STEPS

B x14



## STEP 4

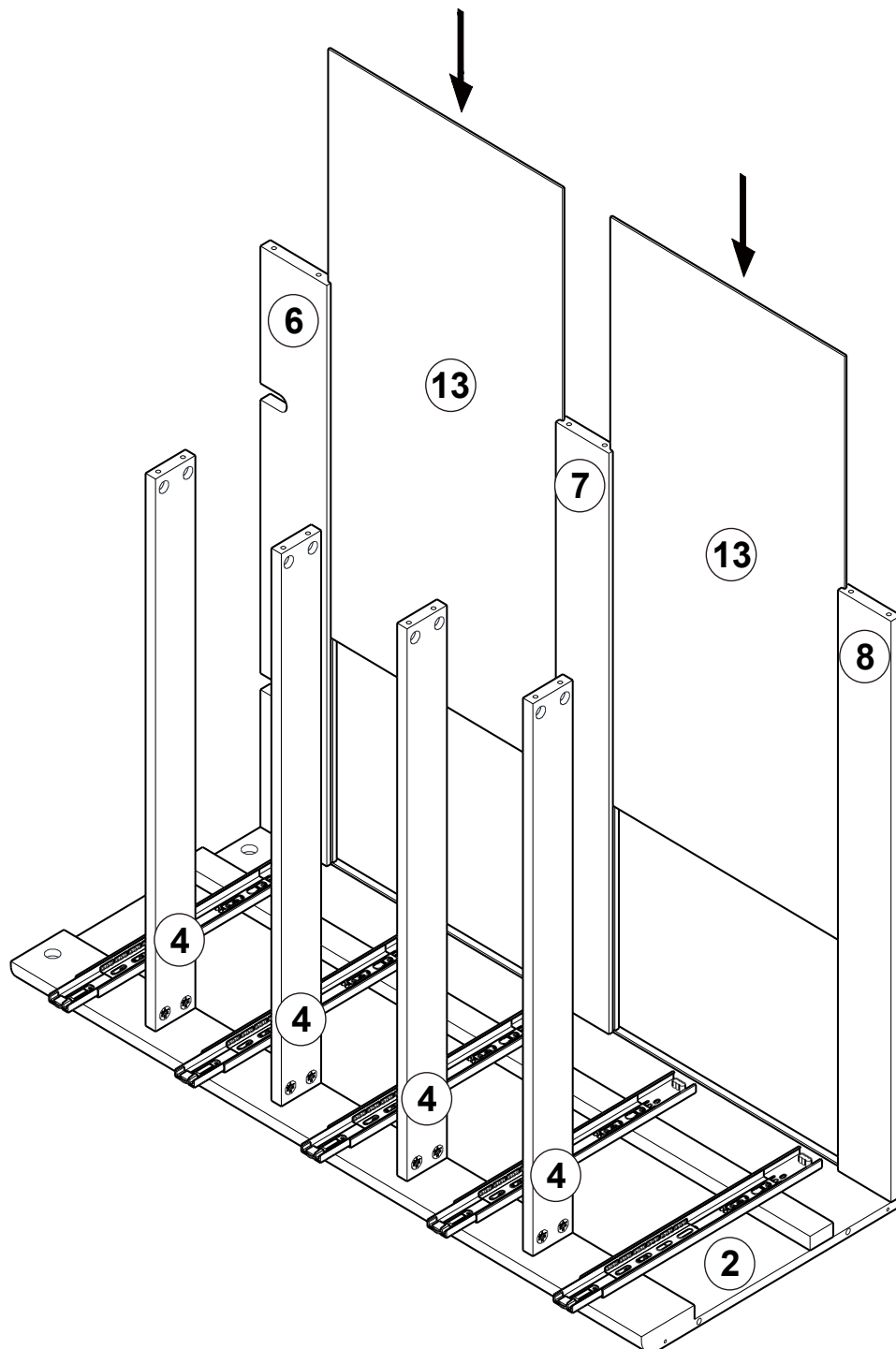
Connect the panels (2,4,6,7,8) with cam lock (B).



# ASSEMBLY STEPS

## STEP 5

Insert the panel (13) along the groove.



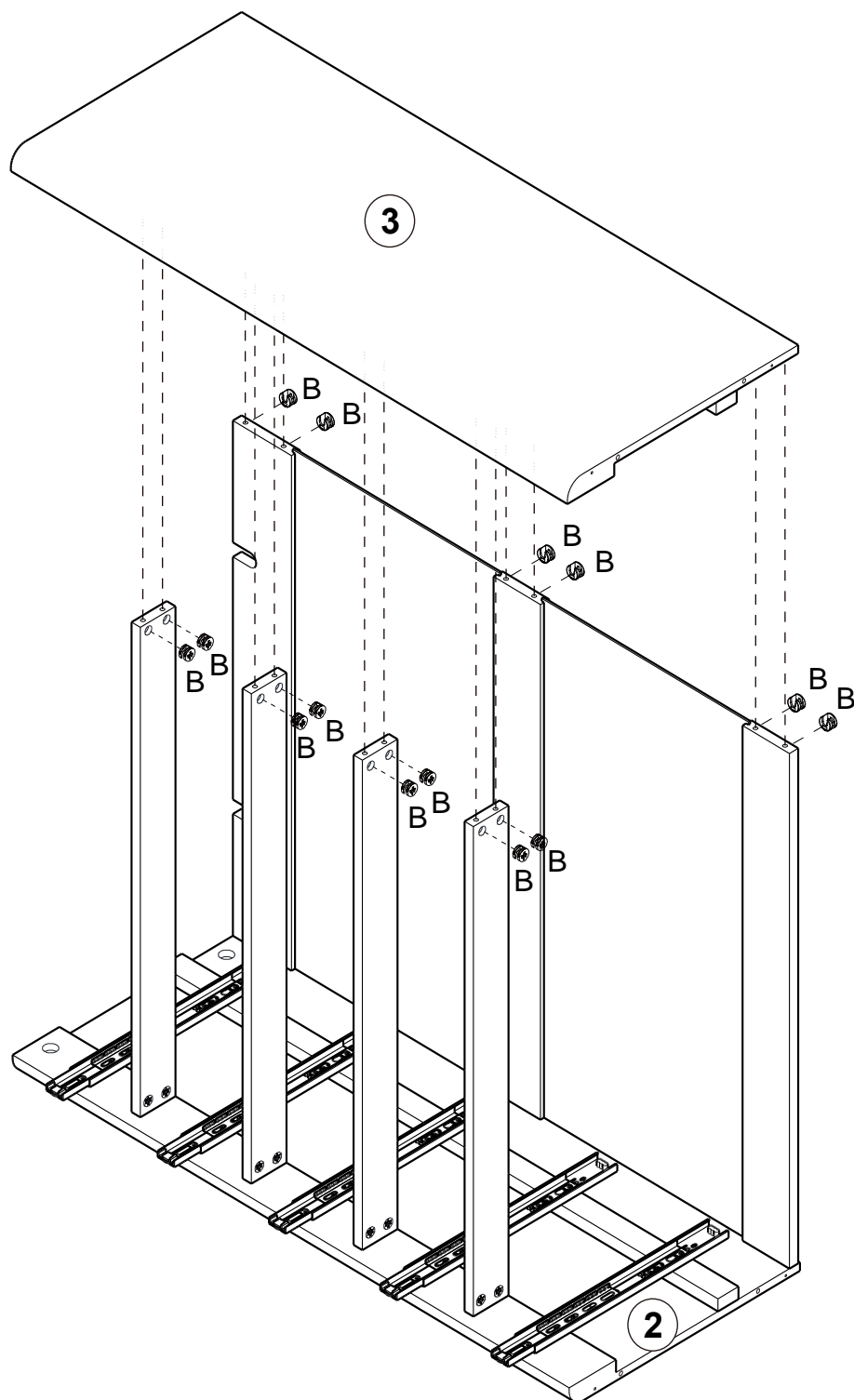
# ASSEMBLY STEPS

B x14



## STEP 6

Install the panel (3) with cam lock (B).



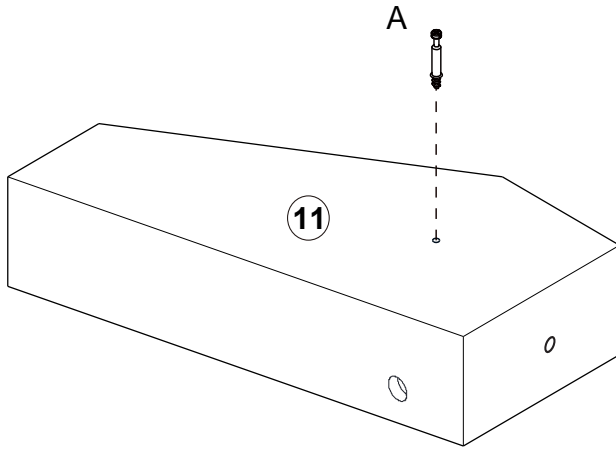
# ASSEMBLY STEPS

A x 4

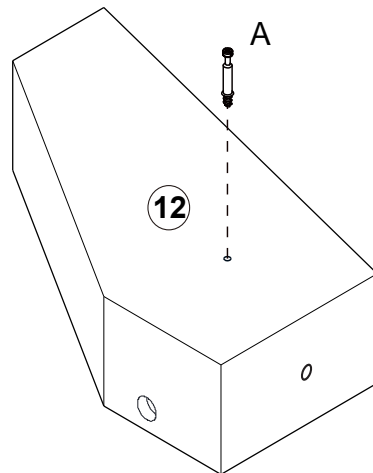


## STEP 7

Screw the cam bolt (A) into the legs (11,12).



x2



x2

# ASSEMBLY STEPS

B x 4

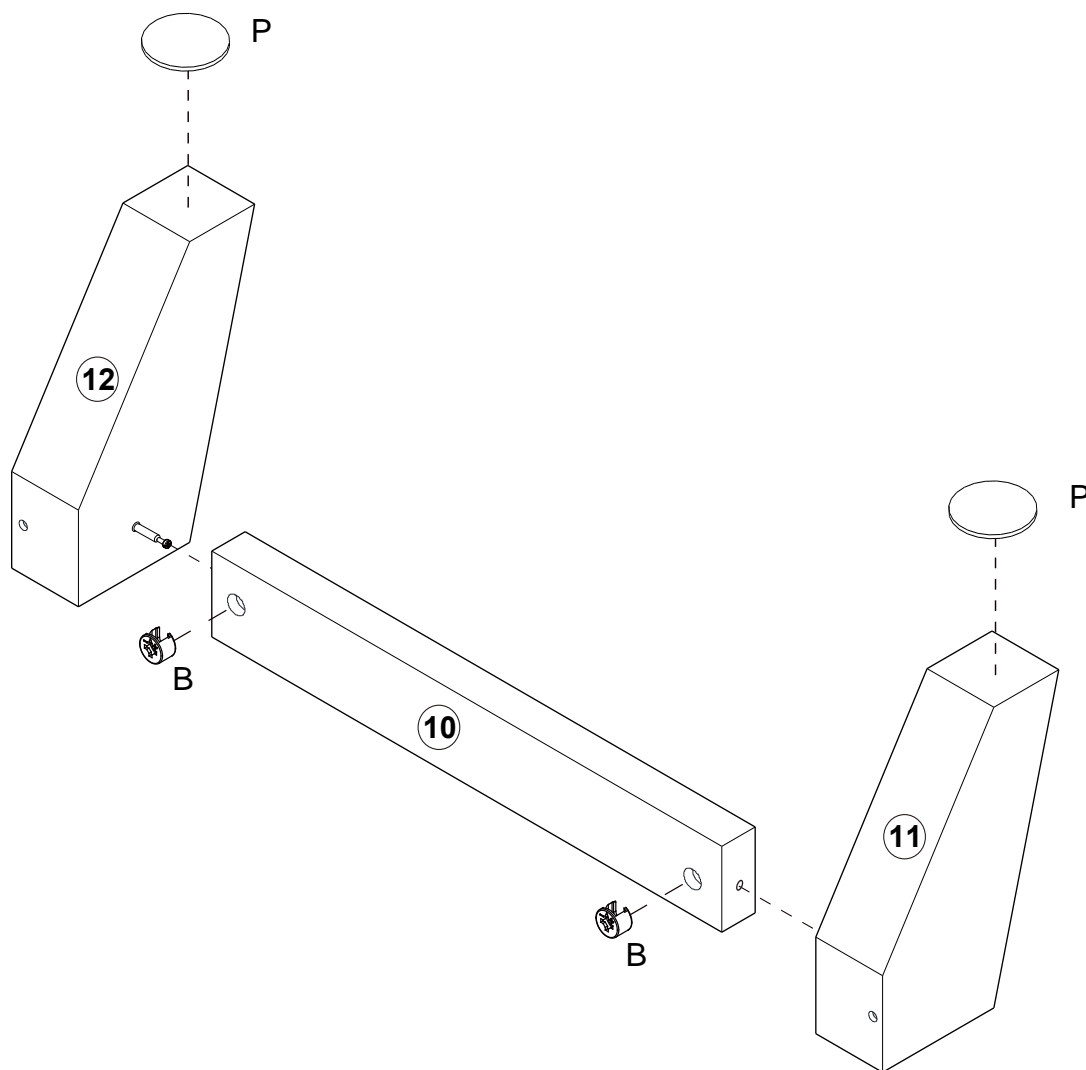


P x 4



## STEP 8

1. Connect the legs (11,12) and leg panel (10) with cam lock (B).
2. Stick the foot pad (P) on the bottom of legs (11,12).



x2

# ASSEMBLY STEPS

M x 4



L x 4

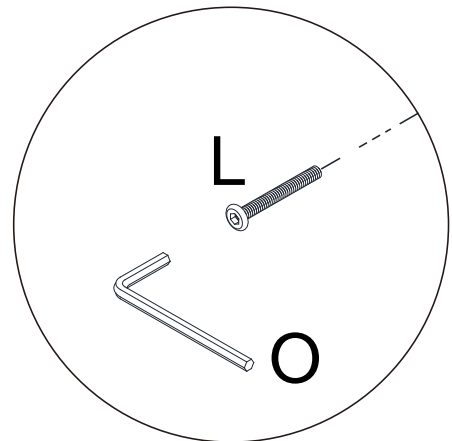
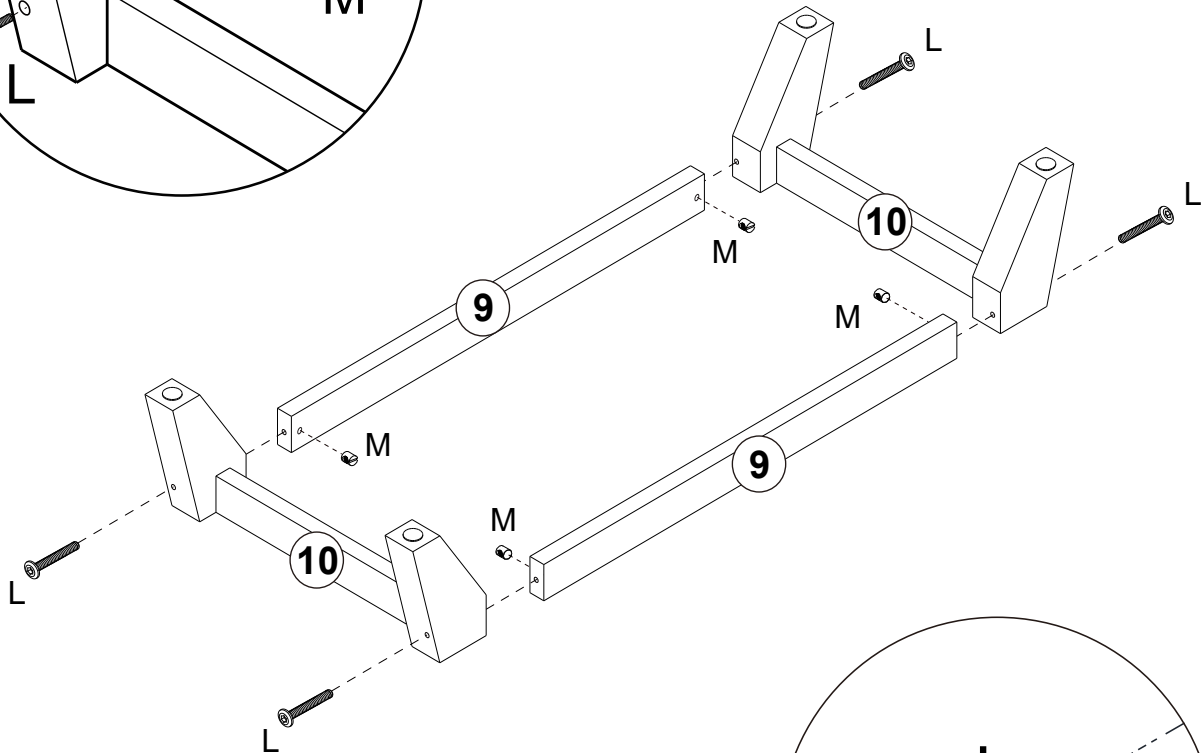
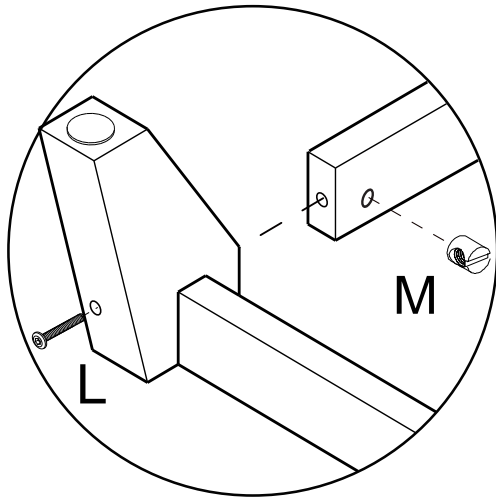


O x 1



## STEP 9

Connect the assembled part (10,11,12) and leg panel (9) with cross dowel (M), bolt (L) and allen wrench (O).

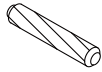


# ASSEMBLY STEPS

E x12

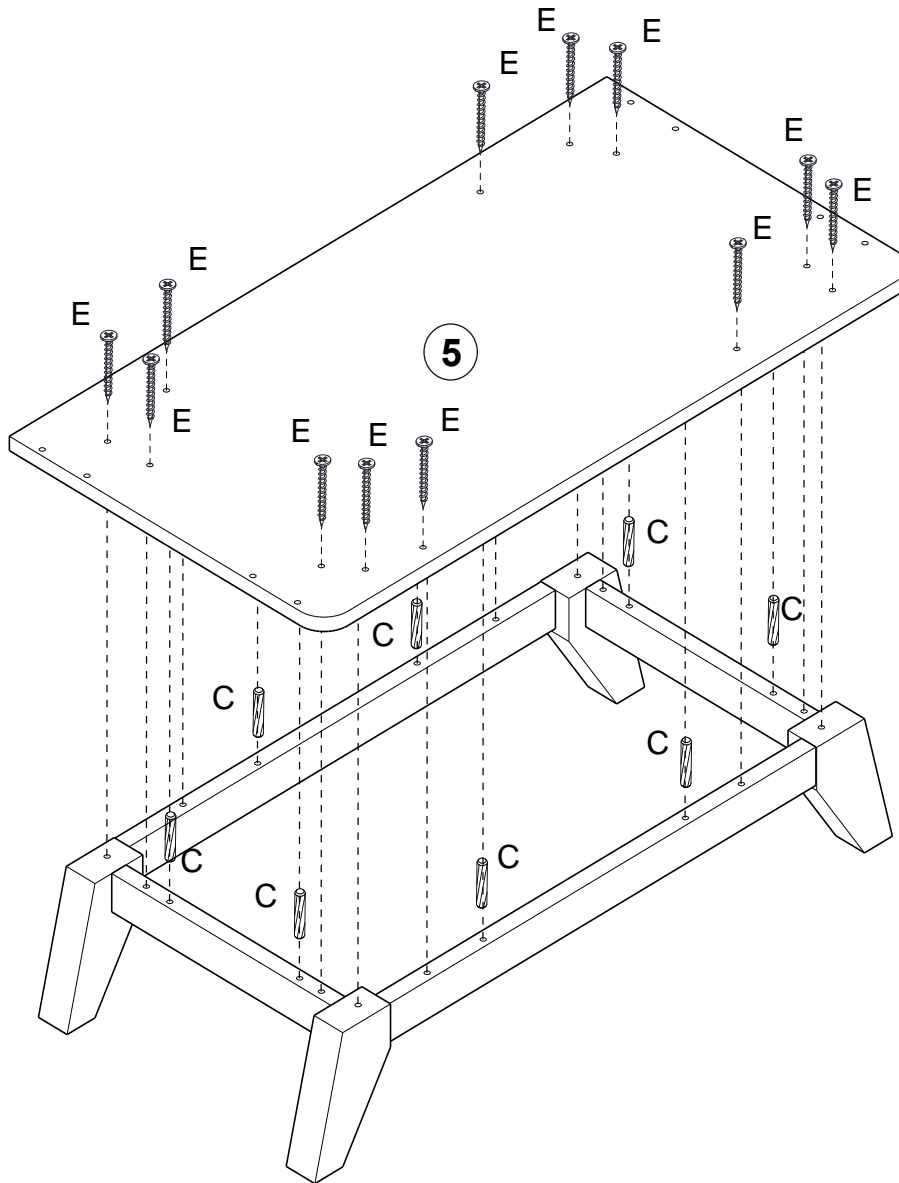


C x 8



## STEP 10

Connect the panel (5) and the assembled part (9,10,11,12) with wood dowel (C) and screw (E).

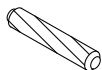


# ASSEMBLY STEPS

F x 4

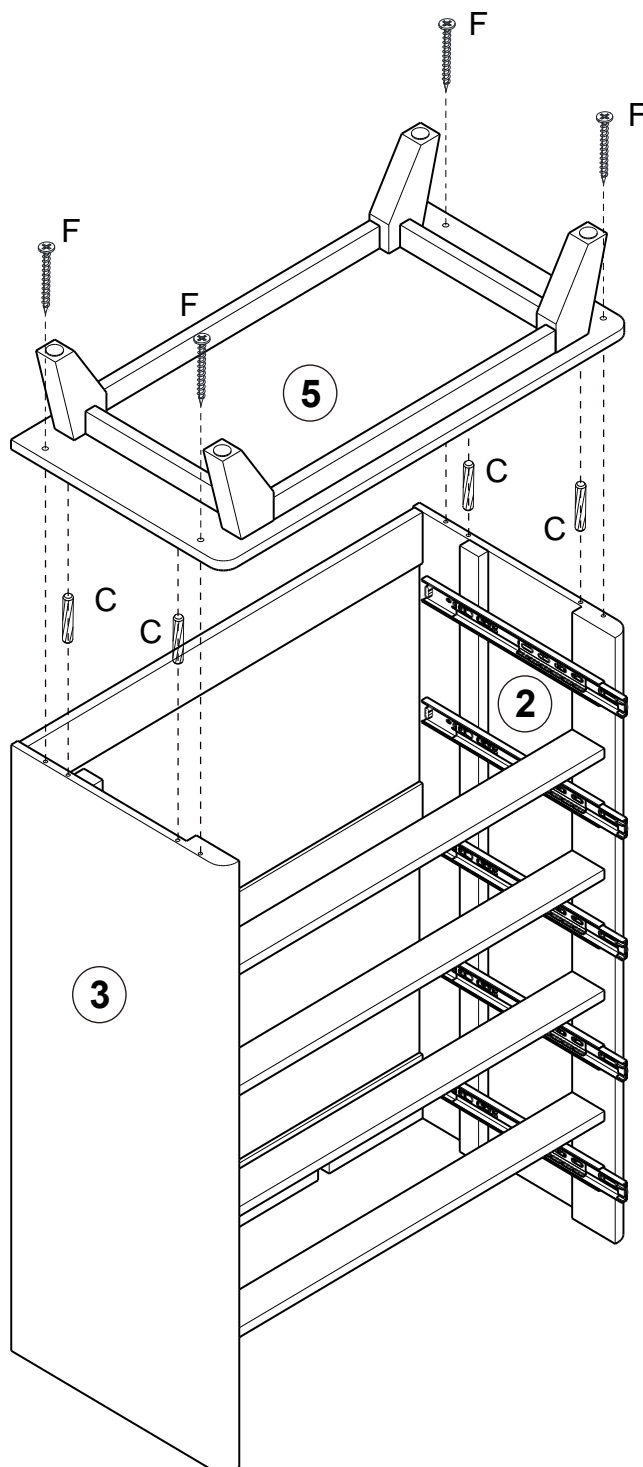


C x 4



## STEP 11

Connect the panels (2,3,5) with wood dowel (C) and screw (F).



# ASSEMBLY STEPS

A x 5

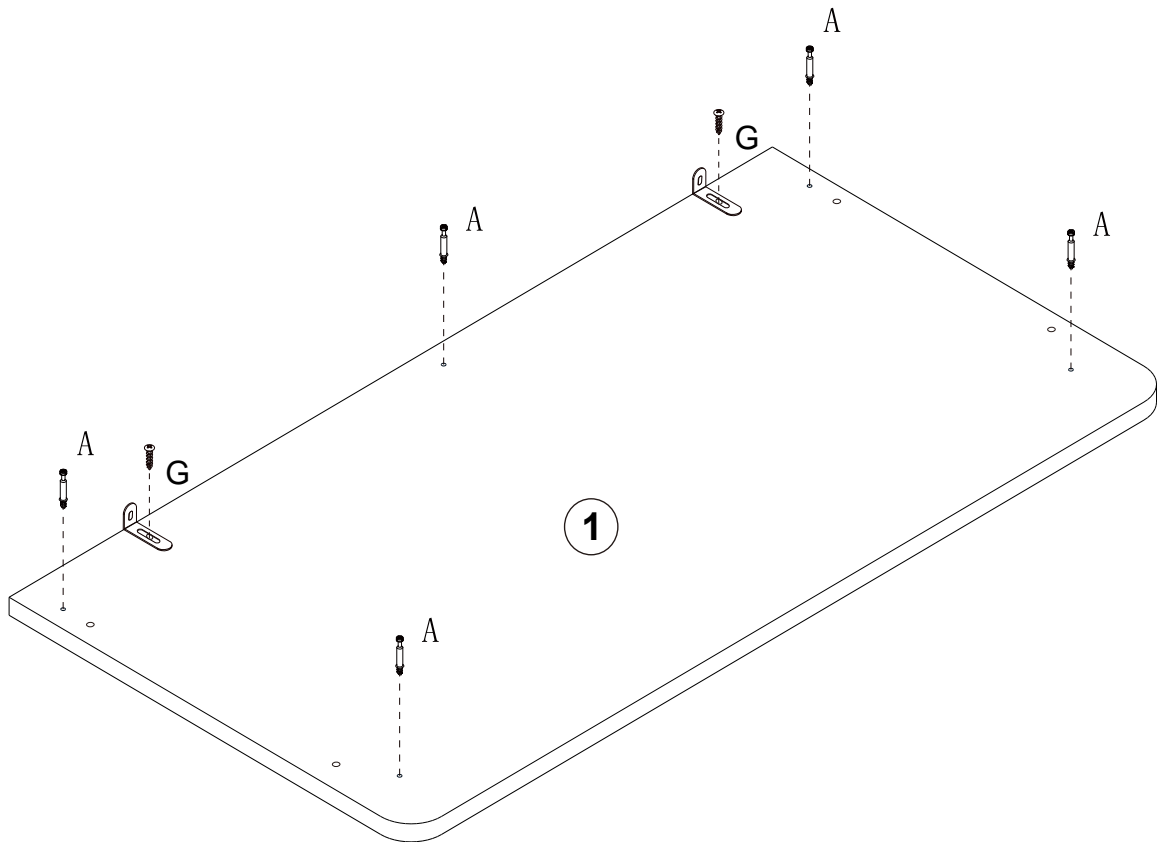


G x 2



## STEP 12

1. Screw the cam bolt (A) into the panel (1).
2. Fix the L-shaped bracket (G) on the panel (1) with screw (G).



# ASSEMBLY STEPS

B x 5



C x 4

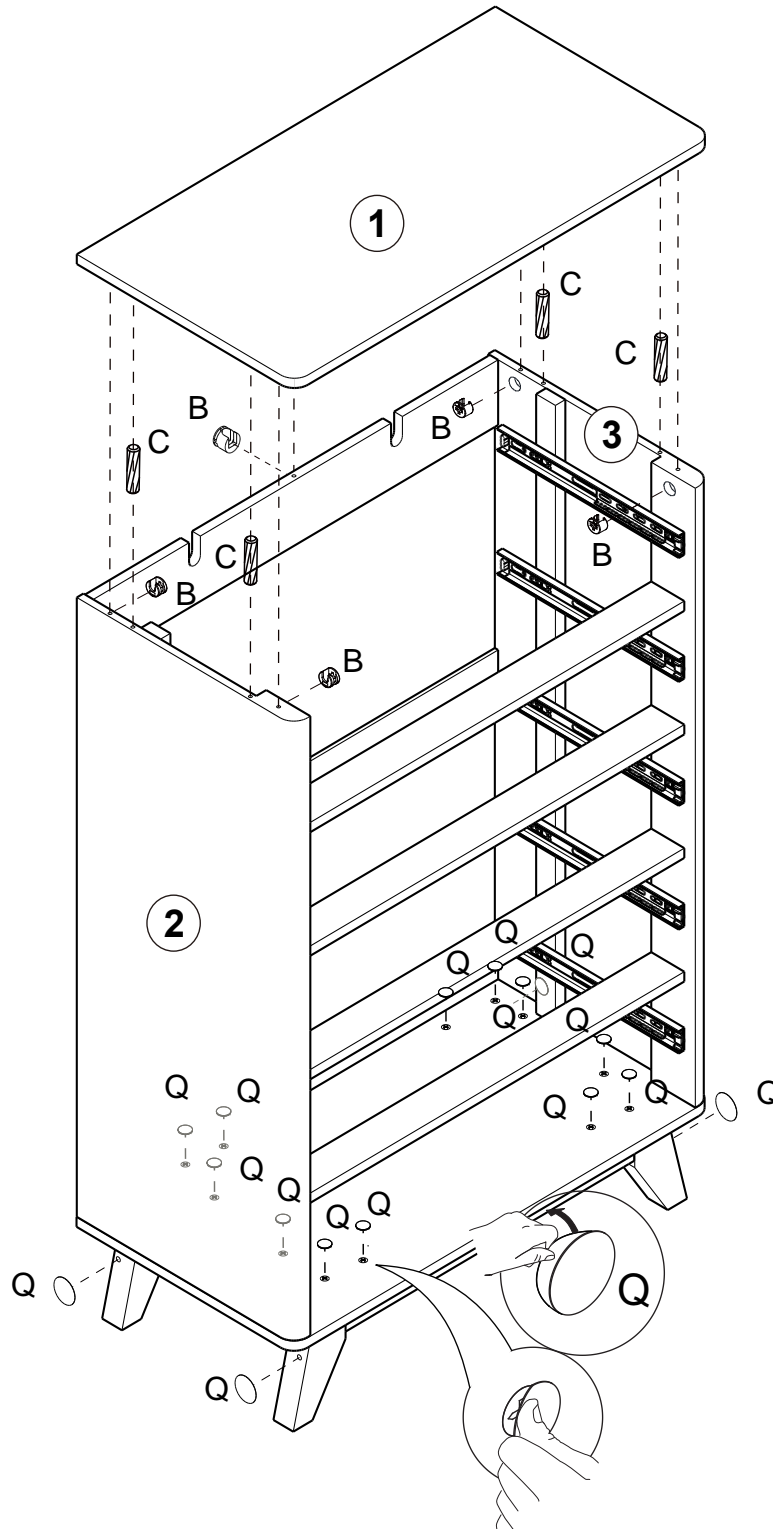


Q x 16



## STEP 13

1. Install the panel (1) with wood dowel (C) and cam lock (B).
2. Peel and stick the the screw hole sticker (Q) over the exposed screw holes.



# ASSEMBLY STEPS

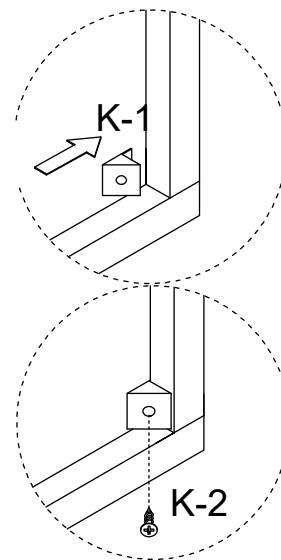
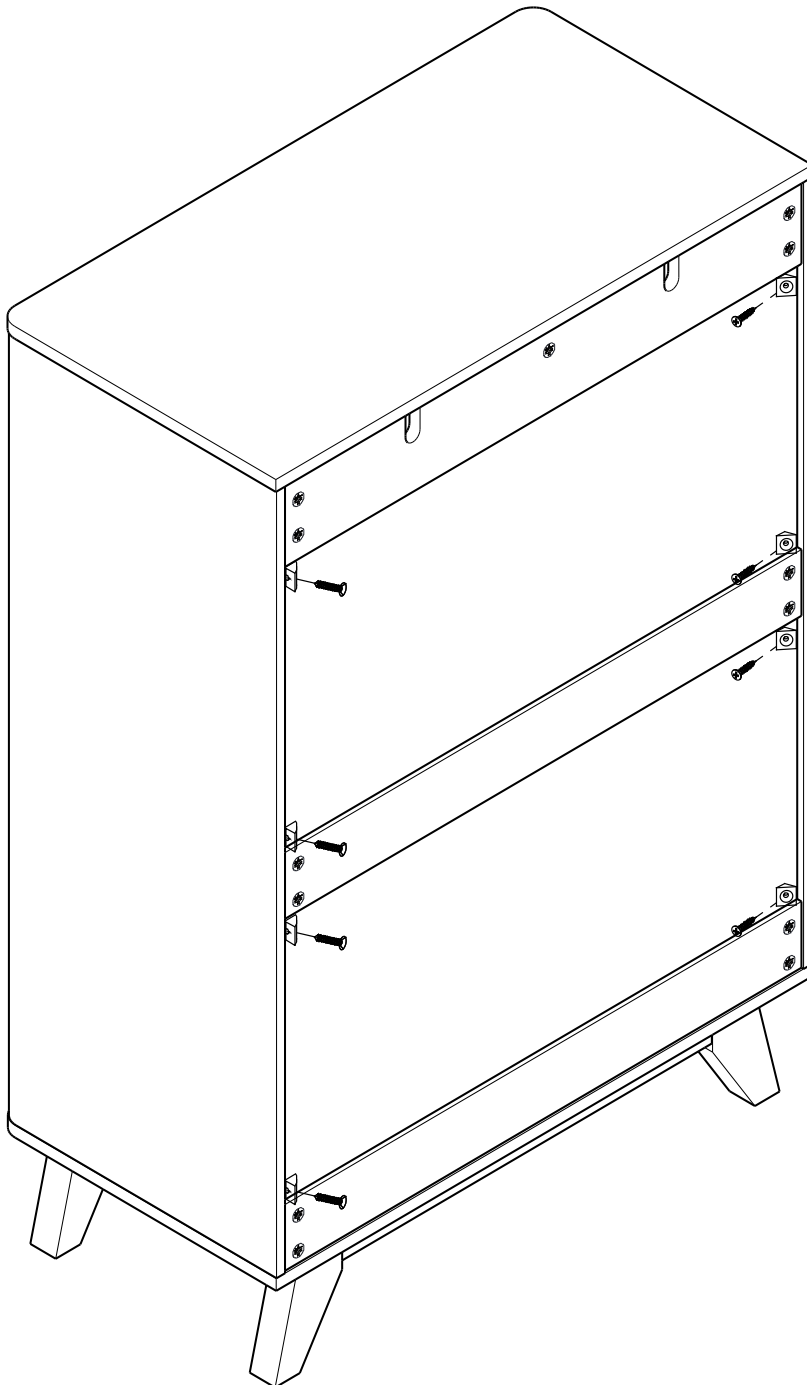
K x 8

K-1



## STEP 14

Insert the mending wedge (K-1) into the gap in the back panel and fix it with screw (K-2).



# ASSEMBLY STEPS

F x 2

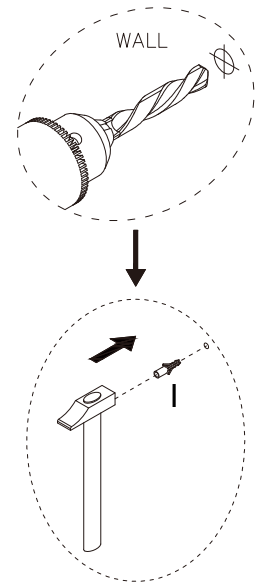
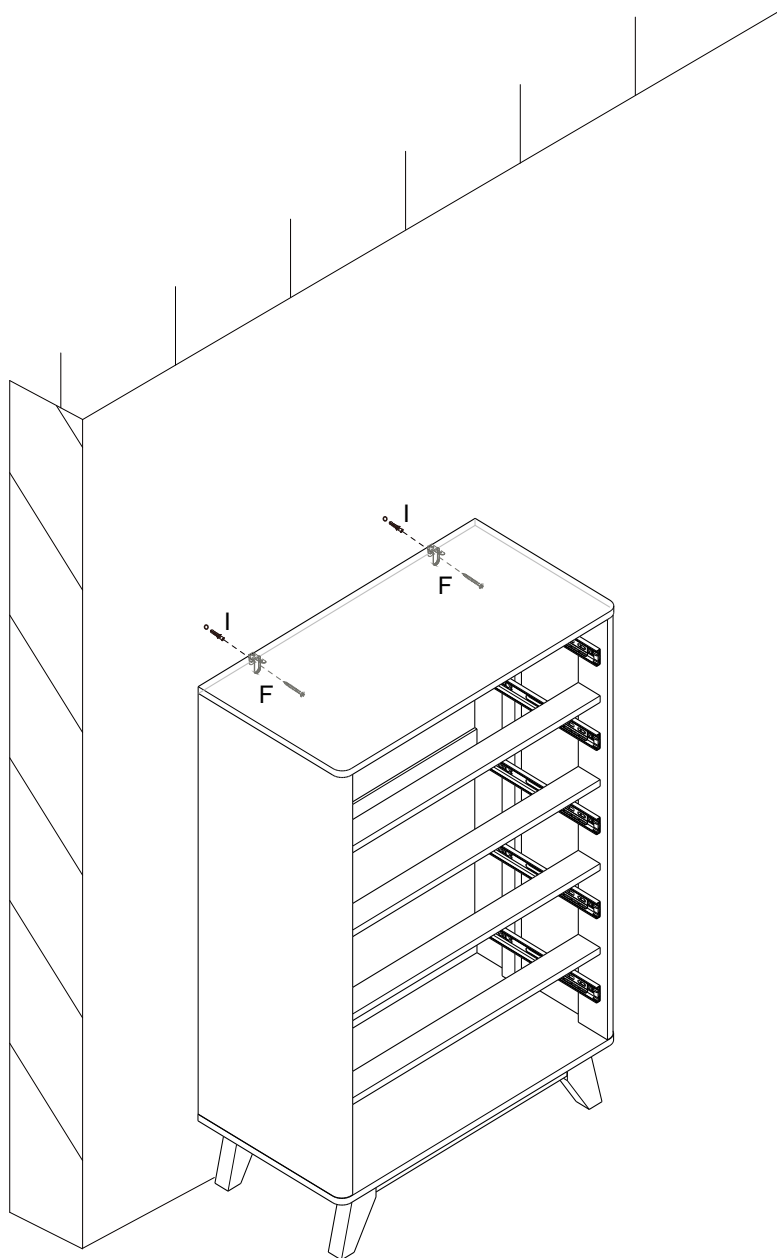


I x 2



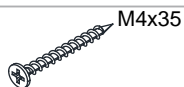
## STEP 15

1. Drill two holes in the wall and insert the plastic anchor (I) into the holes.
2. Use the screw (F) to pass through the L-shaped bracket and lock the cabinet onto the wall.



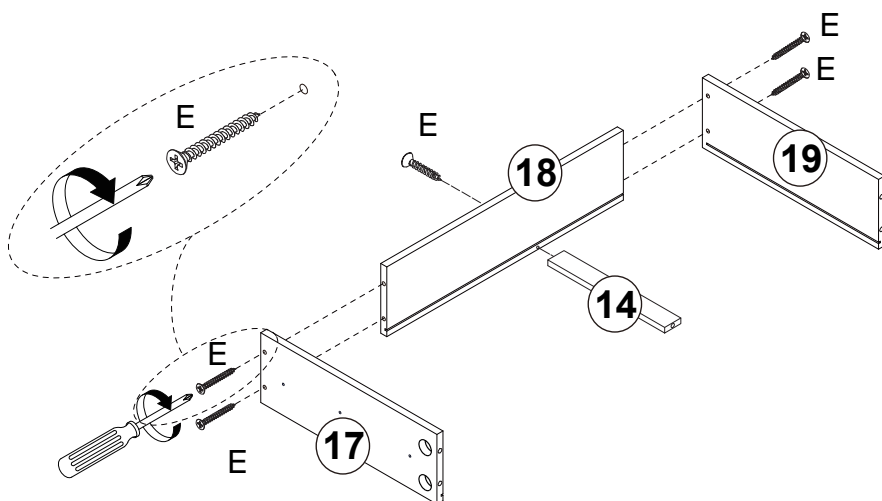
# ASSEMBLY STEPS

E x25

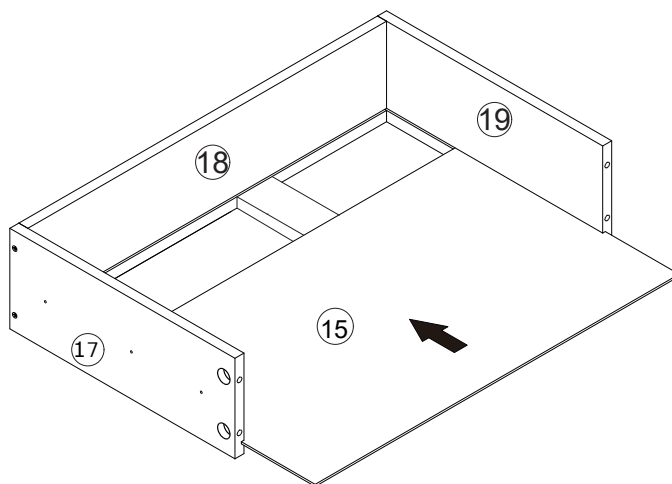


## STEP 16

1. Connect the panels (17,18,19) and drawer bottom support bar (14) with screw (E).
2. Insert the panel (15) along the groove.



# X5



# ASSEMBLY STEPS

A x25



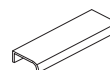
B x25



D x10



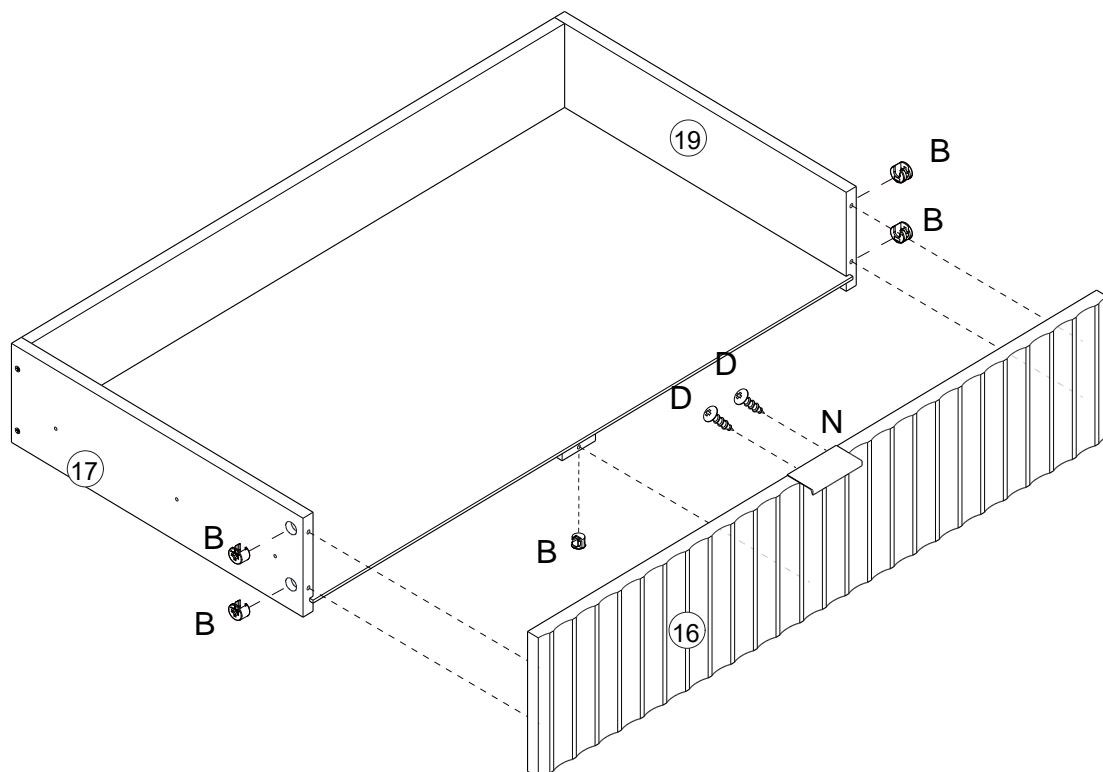
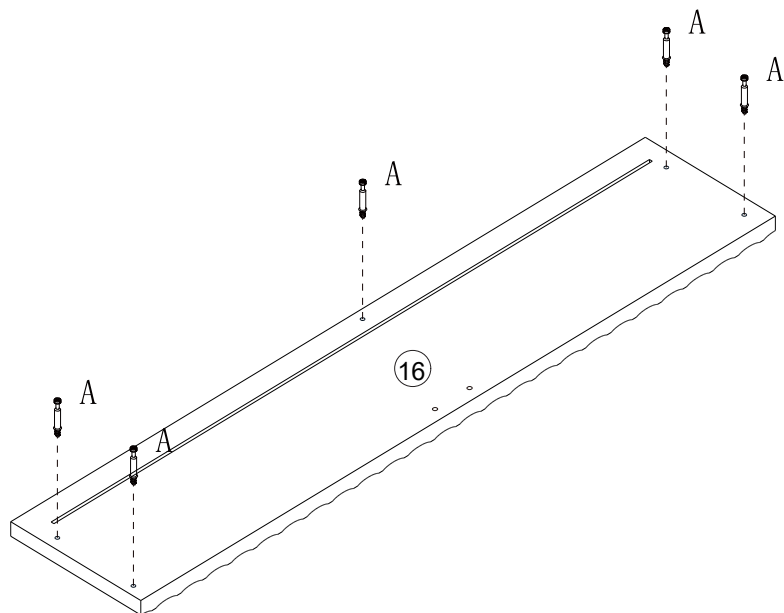
N x 5



## STEP 17

1. Screw the cam bolt (A) into the panel (16).
2. Install the panel (16) with cam lock (B).
3. Attach the handle (N) to the panel (16) with handle screw (D).

# X5



# ASSEMBLY STEPS

J x10

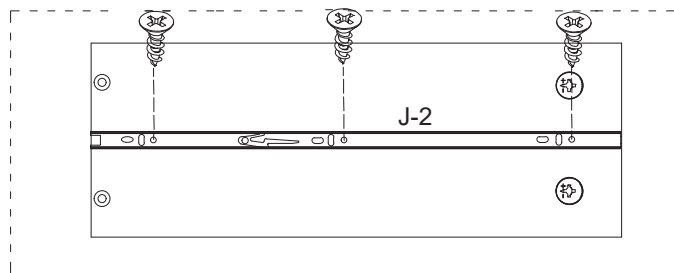
J-2

H x30

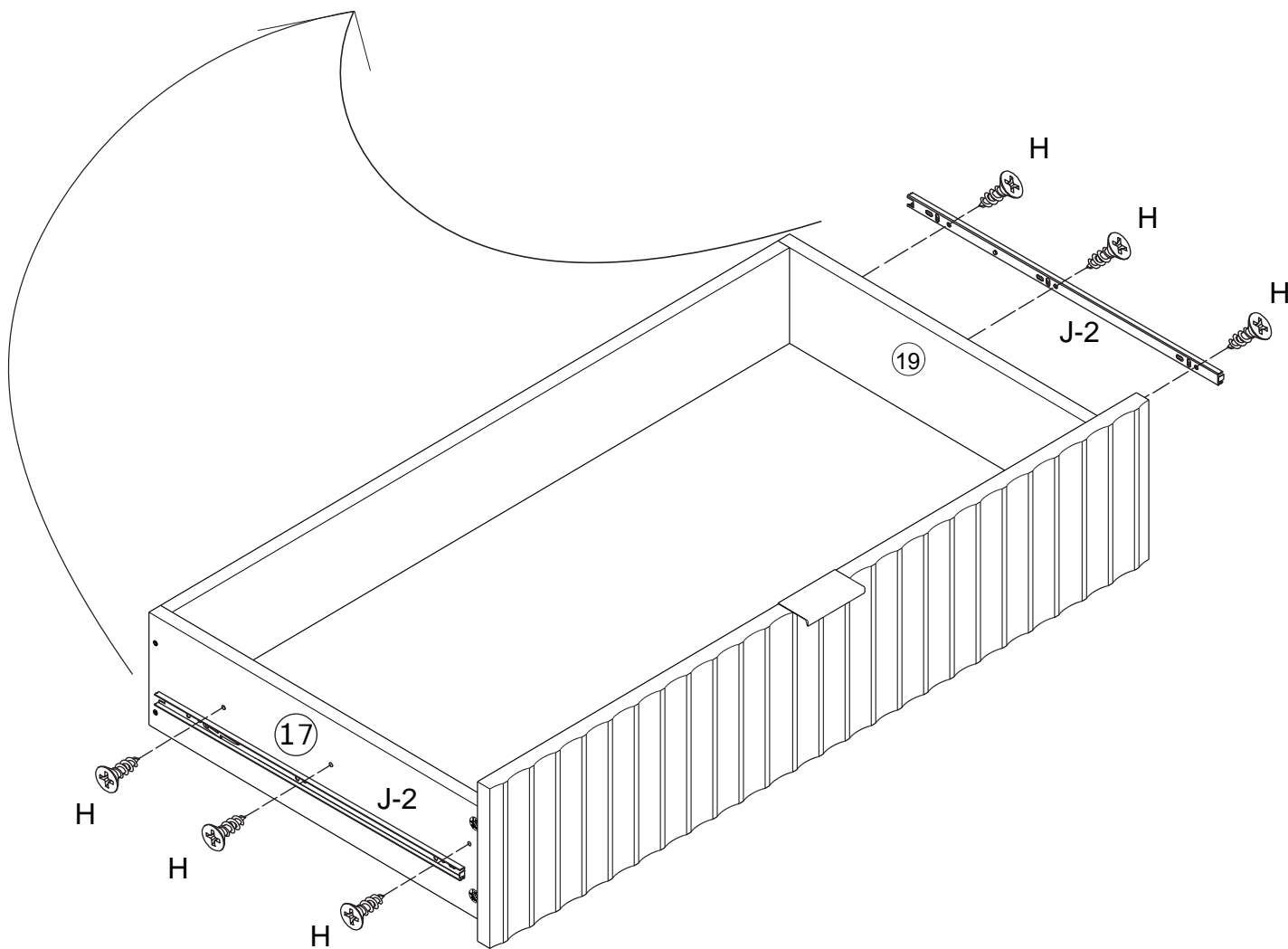


## STEP 18

Fix the drawer slide (J-2) with screw (H) in the correct hole position on the drawer side panels (17,19).



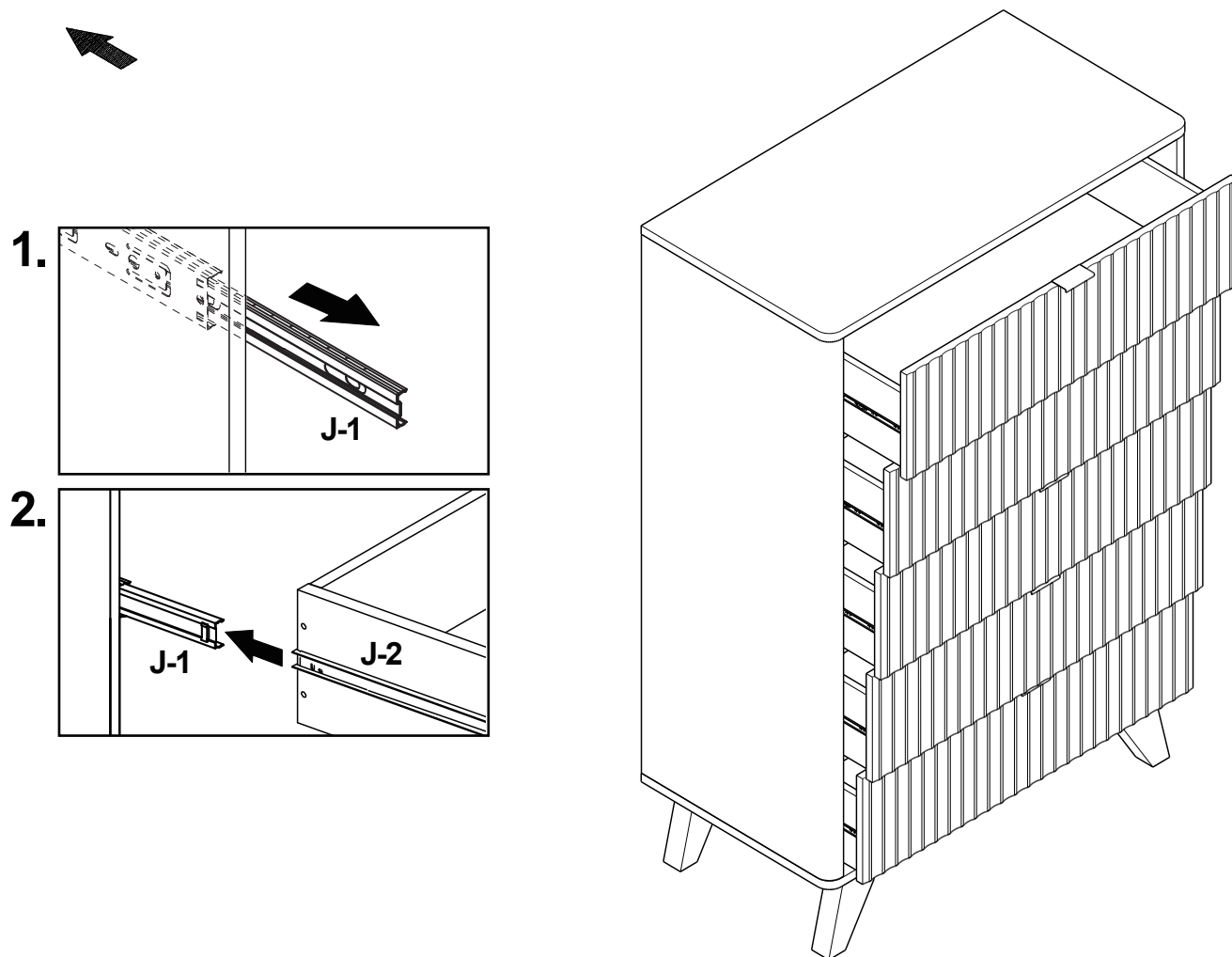
# X5



# ASSEMBLY STEPS

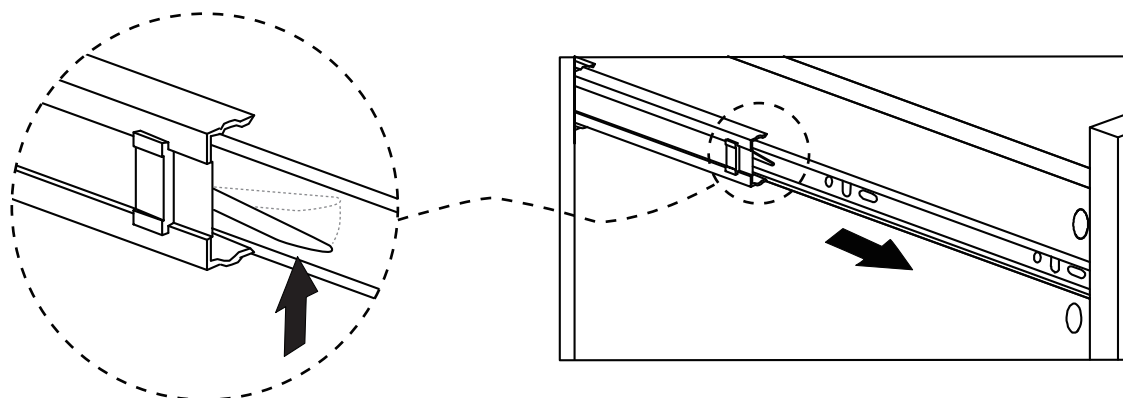
## STEP 19

Align the slides on the drawer and cabinet, and then gently push the drawer into the cabinet.



## Drawer Disassembly

If you need to remove the drawer, lift the lever on the left side slide upward and push down the lever on the right side slide, then slowly pull out the drawer.



# Supplementary Instructions for Safe Use

## English

### **WARNING**



Children have died from furniture tipover. To reduce the risk of furniture tipover:

- ALWAYS install tipover restraint provided.
- NEVER put a TV on this product.
- NEVER allow children to stand, climb or hang on drawers, doors, or shelves.
- NEVER open more than one drawer at a time.
- Place heaviest items in the lowest drawers.
- Do not defeat or remove the drawer interlock system.

This is a permanent label.

Do not remove!

## French

### **ATTENTION**



Des enfants sont morts du basculement des meubles. Pour réduire le risque de basculement des meubles:

- TOUJOURS installer la retenue de basculement fournie.
- NE JAMAIS mettre de téléviseur sur ce produit.
- NE JAMAIS permettre aux enfants de se tenir debout, de grimper, ou de s'accrocher à des tiroirs, des portes ou des étagères.
- N'ouvrez JAMAIS plus d'un tiroir à la fois.
- Placez les objets les plus lourds dans les tiroirs les plus bas.
- Ne désactivez pas et ne retirez pas le système de verrouillage du tiroir.

Ceci est une étiquette permanente.

Ne pas enlever!

## German

### **WARNUNG**



Kinder sind an einem Möbelkipp gestorben. So verringern Sie das Risiko eines Umkippen von Möbeln:

- Installieren Sie **IMMER** die mitgelieferte Kipprückhaltevorrichtung.
- Stellen Sie **NIEMALS** einen Fernseher an dieses Produkt.
- Lassen Sie Kinder **NIEMALS** an Schubladen, Türen oder Regalen stehen klettern oder hängen.
- Öffnen Sie **NIEMALS** mehr als eine Schublade gleichzeitig.
- Legen Sie schwerste Gegenstände in die untersten Schubladen.
- Besiegen oder entfernen Sie das Schubladenverriegelungssystem nicht.

Dies ist ein dauerhaftes Etikett.

Nicht entfernen!