

# PLASTIC GARDEN SHED 6x4.4FT

## Instructions for Assembly

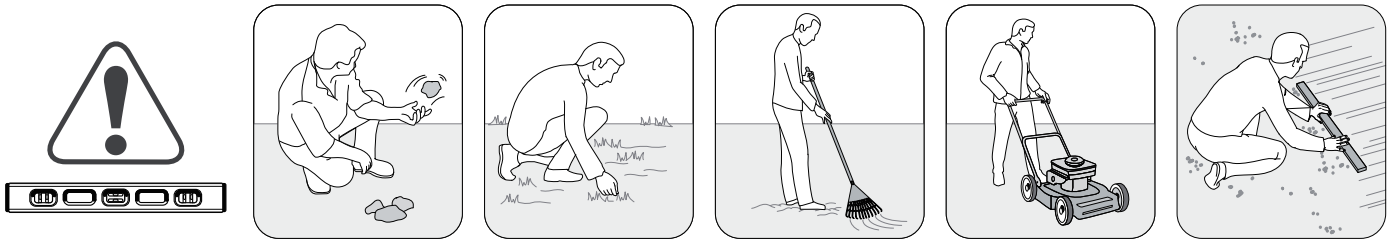


### **WARNING**

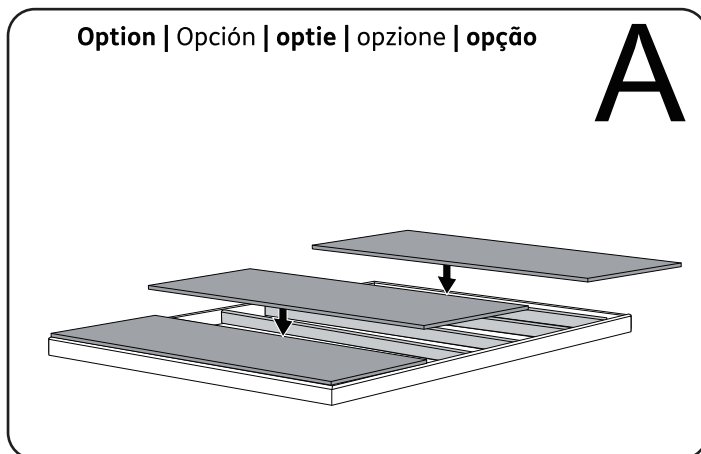
Please read the instruction manual carefully before assembly.  
Please assembly strictly in accordance with the instrution.  
Please double-check to ensure that all parts of the package contents intact.  
To avoid injury, work gloves are recommended during assembly.

**SITE PREPARATION | PRÉPARATION DU SITE | PREPARACIÓN DEL LUGAR | VORBEREITUNG DES AUFSTELLUNGORTES | VOORBEREIDING VAN HET TERREIN | PREPARAZIONE DEL LUOGO DI ASSEMBLAGGIO | PREPARAÇÃO DO LOCAL**

**Level the ground surface | Nivelez la surface du sol | Nivela la superficie del suelo | Ebenen Sie die Bodenoberfläche | Maak de bodem vlak | Livellare la superficie del terreno | Nivela a superfície do solo**



**Recommendation: Construct a wooden or concrete base as a foundation | Recommandation: fabriquez une base en bois ou en béton en guise de fondation | Recomendación: construya una base de madera o de cemento a modo de cimiento | Empfehlung: Bauen Sie als Fundament eine Grundfläche aus Holz oder Beton | Aanbeveling: maak een houten of betonnen ondergrond als fundering | Raccomandazione: Costruire una base di legno o di cemento come fondamenta | Recomendação: Construa uma base de madeira ou de cimento como fundação**



**External floor measurements are: | Les mesures externes de la étage sont: | Las medidas del suelo externo son: | Die Außen-Bodenmaße betragen: | De afmetingen van de externe vloer zijn: | Le dimensioni esterne del pavimento sono: | As medidas externas do chão são:**



**BEFORE STARTING ASSEMBLY | AVANT DE COMMENCER LE MONTAGE | ANTES DE EMPEZAR EL ARMADO | VOR MONTAGEBEGINN | VOORDAT U BEGINT TE MONTEREN | PRIMA DI INIZIARE L'ASSEMBLAGGIO | ANTES DE INICIAR A MONTAGEM**

**Read the care and safety guidelines at the end of this manual | Check to ensure that there are no missing or damaged parts BEFORE starting or arranging assembly | Remove all parts from the package(s) and spread them out on a clean work surface | Review all assembly instructions | Assemble all the parts according to the directions in this manual. Do not skip any steps.**

Lisez les instructions de précaution et de sécurité à la fin de ce manuel | Assurez-vous qu'il n'y a pas de pièces manquantes ou endommagées AVANT de commencer ou d'organiser l'assemblage | Retirez toutes les pièces du/des paquet(s) et étalez-les sur une surface de travail propre | Lisez toutes les instructions de montage | Assemblez toutes les pièces selon les instructions de ce manuel. Ne sautez aucune étape.

**Lea las instrucciones de precauciones y seguridad que están al final de este manual | Asegúrese de que no faltan piezas ni están dañadas ANTES de comenzar o disponer el montaje | Saque todas las piezas del paquete o paquetes y póngalas sobre una superficie de trabajo limpia | Revise todas las instrucciones de montaje | Monte todas las piezas según las instrucciones de este manual. No se saltee ningún paso.**

Lesen Sie die Sicherheitsrichtlinien am Ende des Benutzerhandbuchs durch | Prüfen Sie bitte VOR dem Zusammenbau, dass keine Teile beschädigt sind oder fehlen | Nehmen Sie alle Teile aus der Verpackung und breiten Sie sie auf einer sauberen Arbeitsfläche aus | Gehen Sie noch einmal die komplette Aufbauanleitung durch | Bauen Sie alle Teile entsprechend der Anleitung in diesem Handbuch zusammen. Lassen Sie dabei keinen Arbeitsschritt aus.

**Lees de richtlijnen voor zorg en veiligheid achterin deze handleiding | Controleer dat er geen onderdelen mankeren, of beschadigd zijn, VOORDAT u met de montage begint | Haal alle onderdelen uit het pakket (of uit de pakketten) en leg ze open schoon werkoppervlak | Bekijk alle montagehandleidingen | Monteer alle onderdelen volgens de aanwijzingen van deze handleiding. Sla geen stappen over.**

Leggere le linee guida di assistenza e sicurezza alla fine di questo manuale | Assicurarsi che non ci siano parti mancanti o danneggiate PRIMA di iniziare l'assemblaggio | Estrarre tutti i componenti dall'imballo e posizzarli su una superficie di lavoro pulita | Consultare tutte le istruzioni di montaggio | Assemblare tutti i componenti secondo le istruzioni contenute nel manuale. Non saltare nessuna fase.

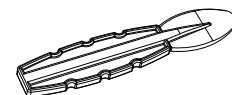
**Leia as diretrizes de cuidados e segurança que constam da parte final deste manual | Verifique para se assegurar de que não há peças em falta ou danificadas ANTES de começar a preparar a montagem | Retire todas as peças da embalagem e espalhe-as numa superfície de trabalho limpa | Reveja todas as instruções de montagem | Monte todas as peças de acordo com as instruções do manual. Não salte quaisquer passos.**

**REQUIRED TOOLS | OUTILS EXIGÉS | HERRAMIENTAS NECESARIAS | BENÖTIGTE WERKZEUGE | BENODIGD GEREEDSCHAP | ATTREZZATURA OCCORRENTE | FERRAMENTAS NECESSÁRIAS**



**SPATULA | SPATULE | ESPÁTULA | SPACHTEL | SPATEL | SPATOLA | ESPÁTULA**

- Use spatula (part “SG8”) for easier insertion of panel into profile.
- Utilisez la spatule (partie “SG8”) pour une meilleure insertion du panneau dans le profil.
- Utilice una espátula (pieza “SG8”) para una mejor inserción del panel en el perfil.
- Benutzen Sie den Spachtel (Bezeichnung “SG8”), um die Platten leichter in die Nut einführen zu können.
- Gebruik spatel (onderdeel SG8) voor het gemakkelijk invoeren van het paneel in het profiel.
- Utilizzare la spatola (parte SG8) per inserire il pannello più facilmente nel profilo.
- Utilize uma espátula (peça “SG8”) para facilitar a inserção do painel no perfil.



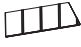












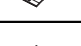
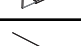

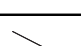



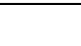













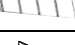

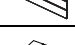
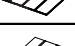




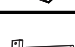


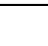
**SG8 x2**









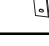


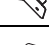
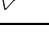

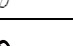
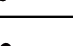
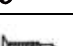

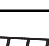


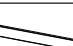



**ASSEMBLY REQUIRES TWO PEOPLE | LE MONTAGE DOIT ÊTRE EFFECTUÉ PAR DEUX PERSONNES | SE NECESITAN DOS PERSONAS PARA ARMARLO | ZWEI PERSONEN ZUR MONTAGE NOTWENDIG | MONTAGE VEREIST TWEE PERSONEN | L'ASSEMBLAGGIO RICHIEDE DUE PERSONE | A MONTAGEM EXIGE DUAS PESSOAS**

# PARTS LIST

NO.	PART.	Qty.
CW4-3		1
CW4-1		1
CW3L		1
CR1-2		1
CW2-2		2
CF1-2		1
CA4		2
CS1		2
CP1		1
CP2		2
CP3		2
CP5		4
CP4		1
CP6		2
CA1R		1
CA1L		1
CA3		1
CA2		1
CA2R		1
CA2L		1
CPA1		1
CPA2		1
CP7		4

NO.	PART.	Qty.
CA1		1
SG10		1
SG101		1
SG102		2
SG103		2
CR1-1		2
CR1-3		1
CW1-2		1
CF1-1		2
CW1-1		3
CW2-1		4
CW3-1		4
CW1-3		1
CW1-4		1
CD1-4		1
CD1-1		1
CD1-6		1
CD1-5		1
CD1-2		1
CD1-3		1
M01		2
M03-6L		1
M03-7		1

NO.	PART.	Qty.
SG2		4
SG6		4
SG7-2		1
SG7-1		1
SG8		2
SG9		5
SG1		2
BY		2
SG12		2
Drill		1
DC		2
SG13		2
SG14		2
SG15		2
Z410		118
Z420		115
Z425		4
ZW413		28
M04		1
CW3R		1
CS2		2
CS3		1
CS4		1

● Use spatula  (part "SG8") for easier insertion of panel into profile

● Please ensure the panels are all installed on position before screwing

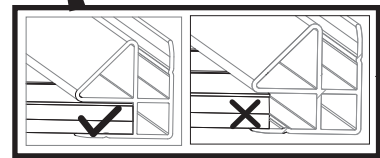
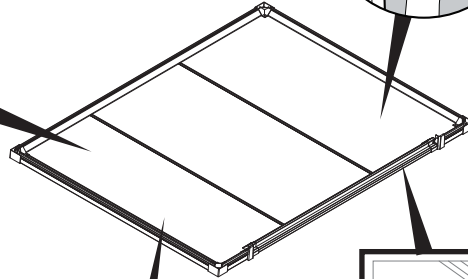
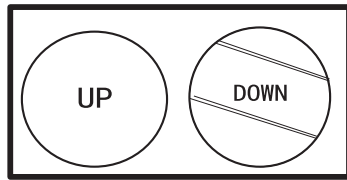


# FLOOR ASSEMBLY

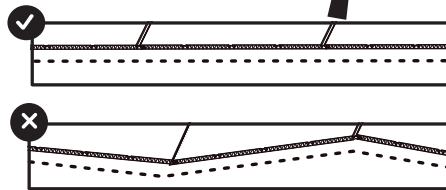


● Use spatula (part "SG8") for easier insertion of panel into profile

Note: The crease line of the floor must be underneath

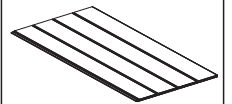


● Fully fit the panel inside the profile

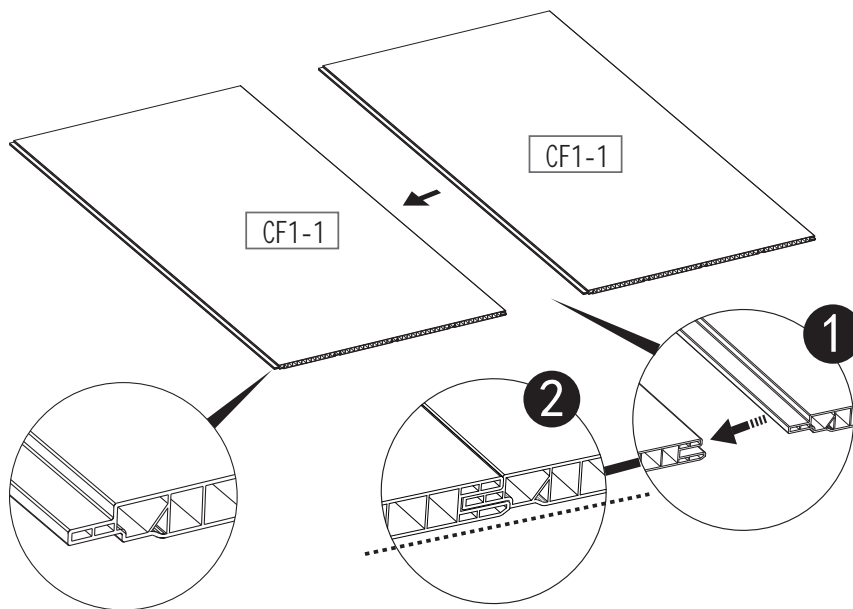


## Step 1

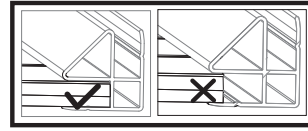
CF1-1



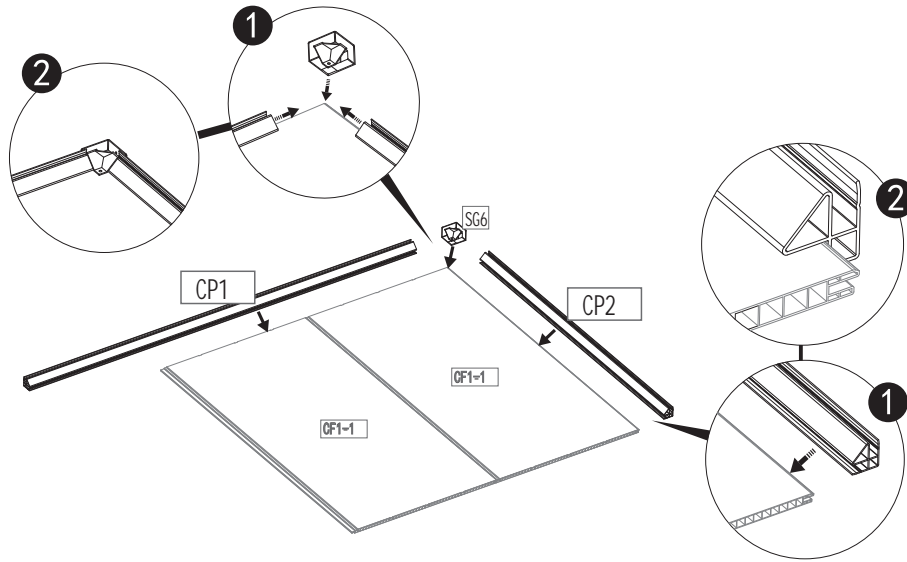
2 PC



# Step 2

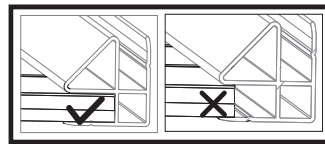


● Fully fit the panel inside the profile

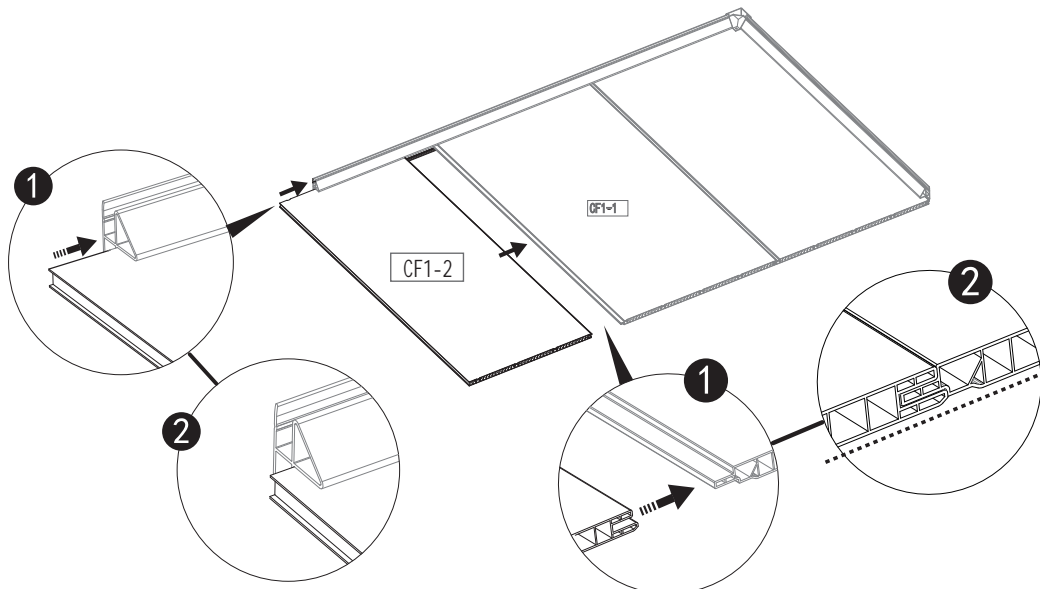


<b>CP1</b>	
1 PC	
<b>CP2</b>	
1 PC	
<b>SG6</b>	
1 PC	
<b>SG8</b>	

# Step 3

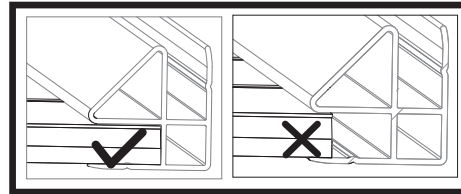


● Fully fit the panel inside the profile



<b>CF1-2</b>	
1 PC	
<b>SG8</b>	

# Step 4



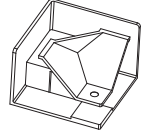
● Fully fit the panel inside the profile

CP2



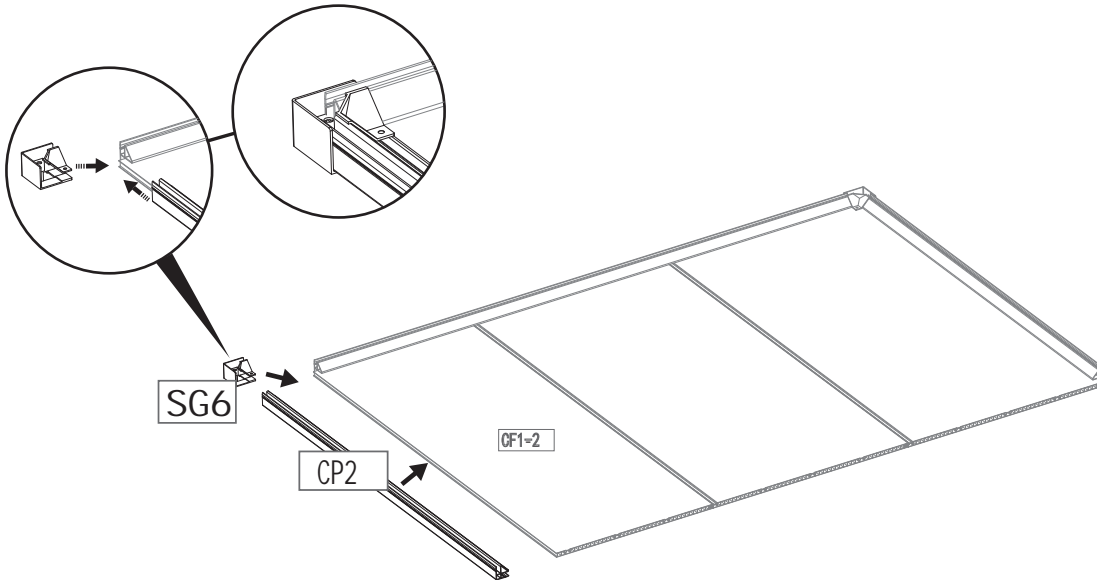
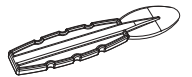
1 PC

SG6

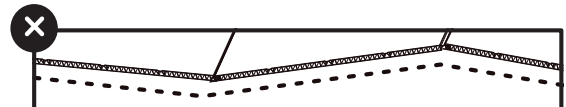
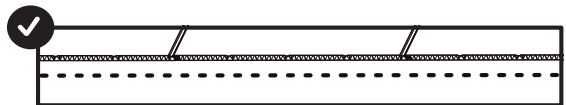
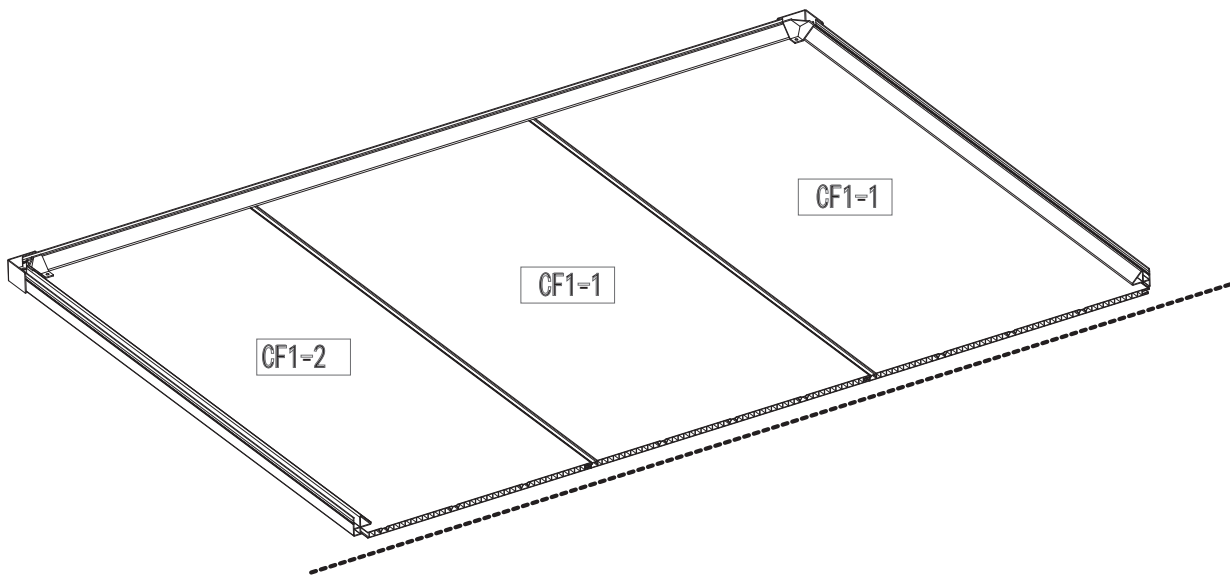


1 PC

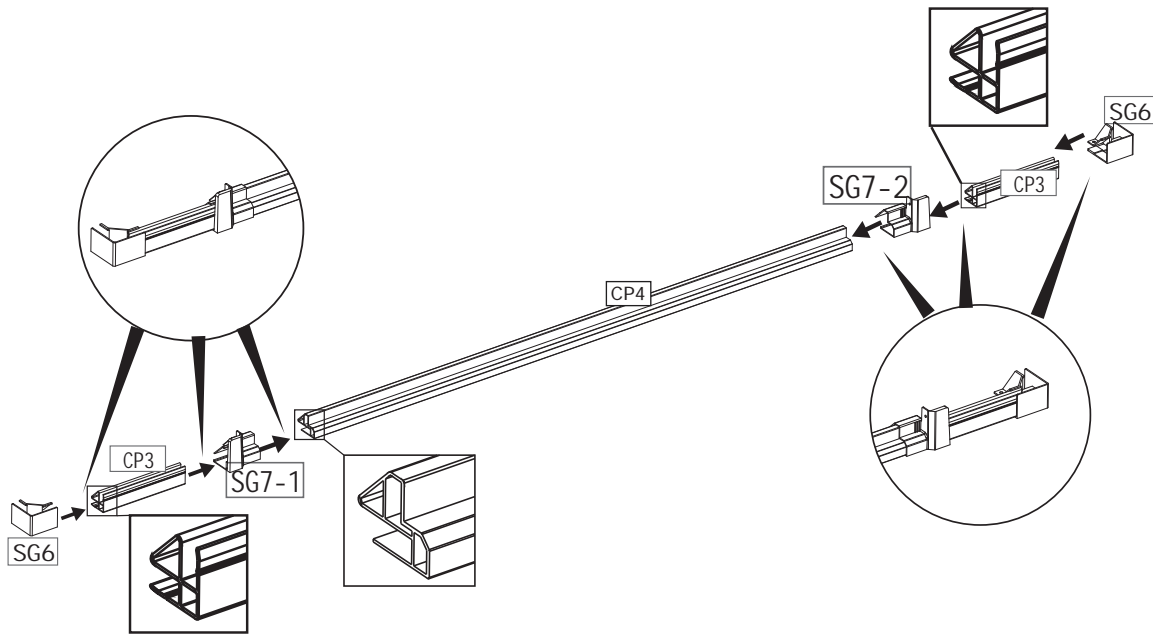
SG8



# Step 5



# Step 6

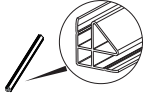


**SG6**



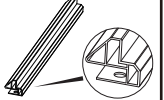
2 PC

**CP3**



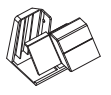
2 PC

**CP4**



1 PC

**SG7-2**



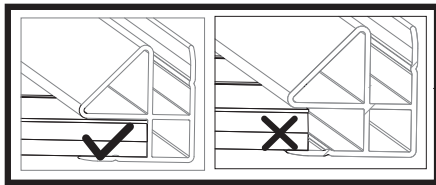
1 PC

**SG7-1**

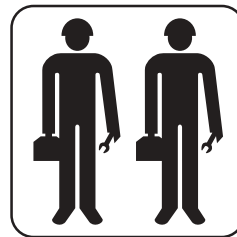


1 PC

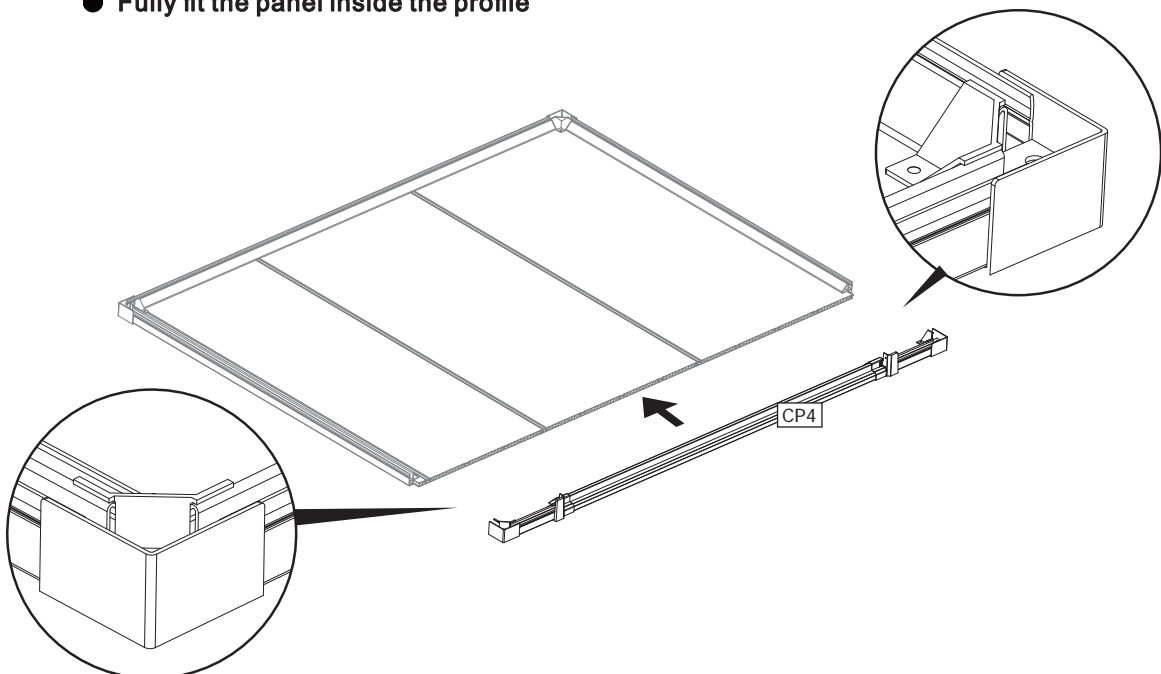
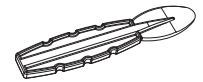
# Step 7



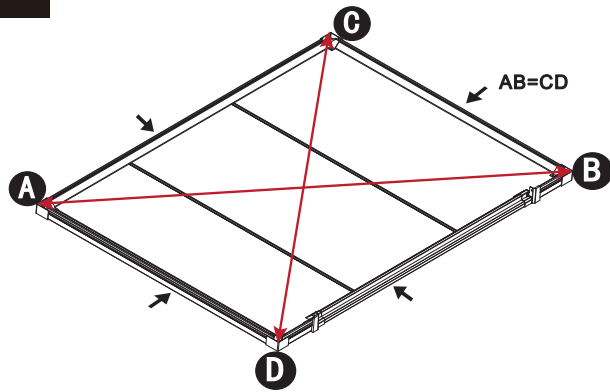
● Fully fit the panel inside the profile



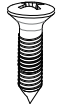
**SG8**



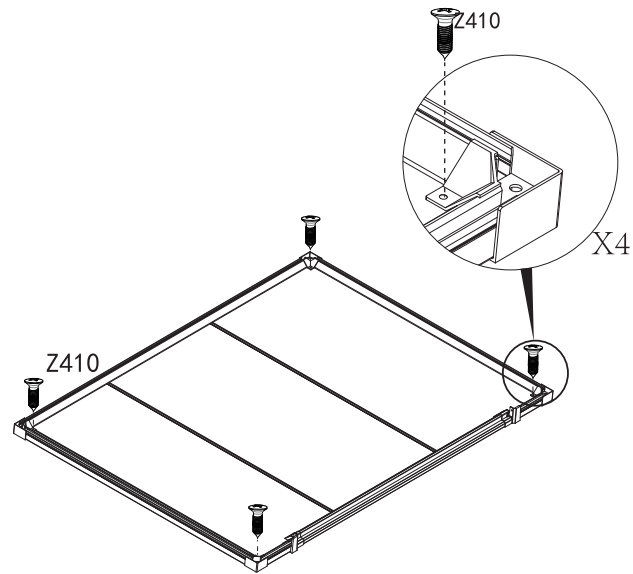
## Step 8



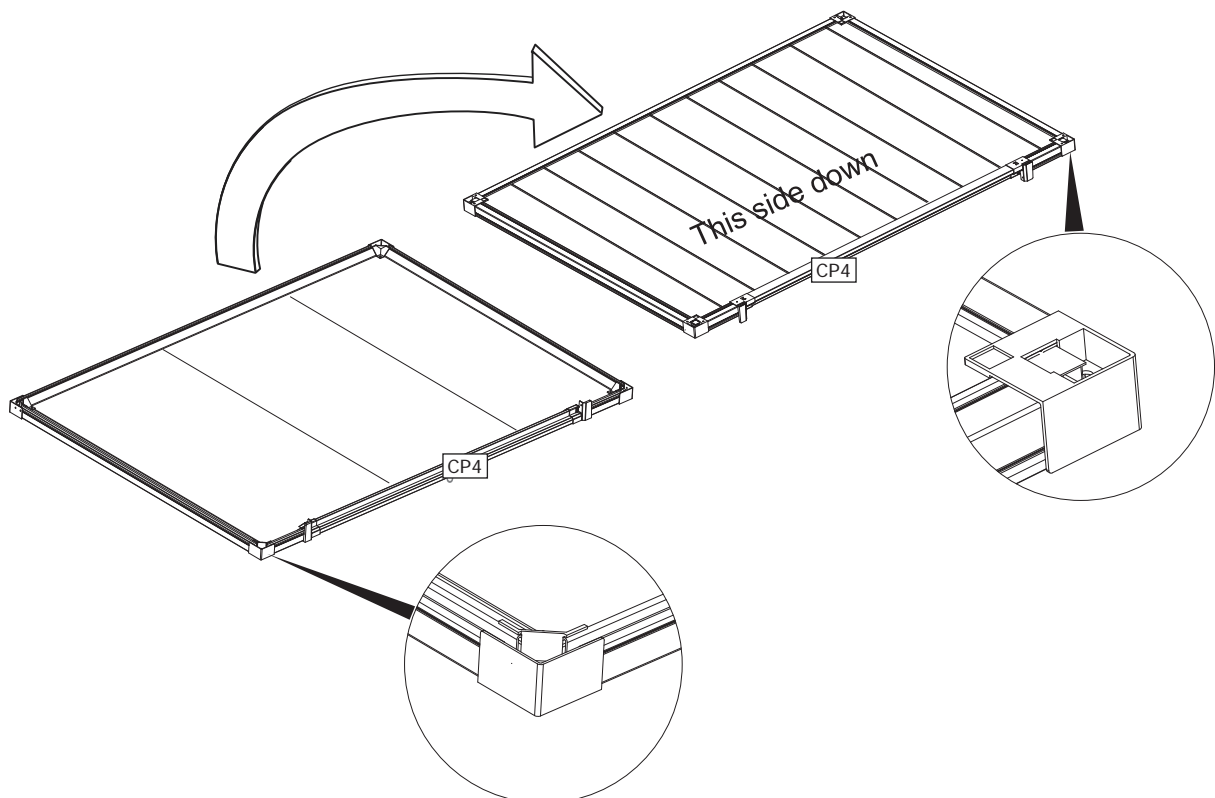
Z410



4 PC



## Step 9

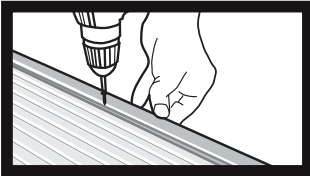


# Step 10

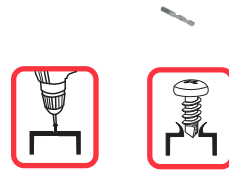
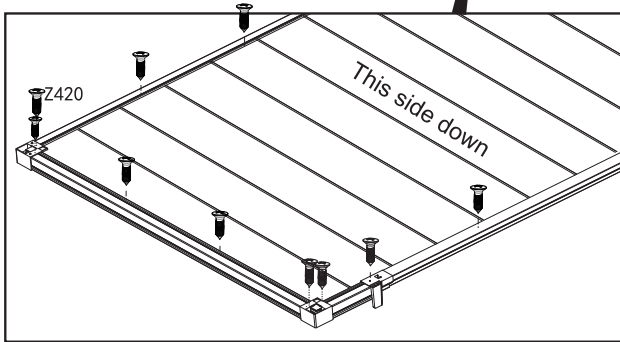
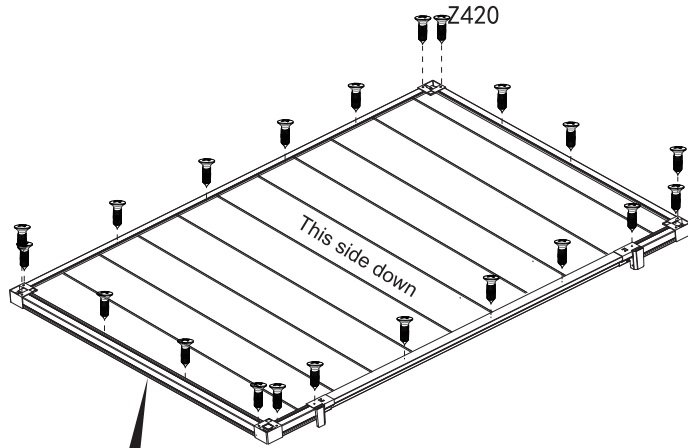
Z420



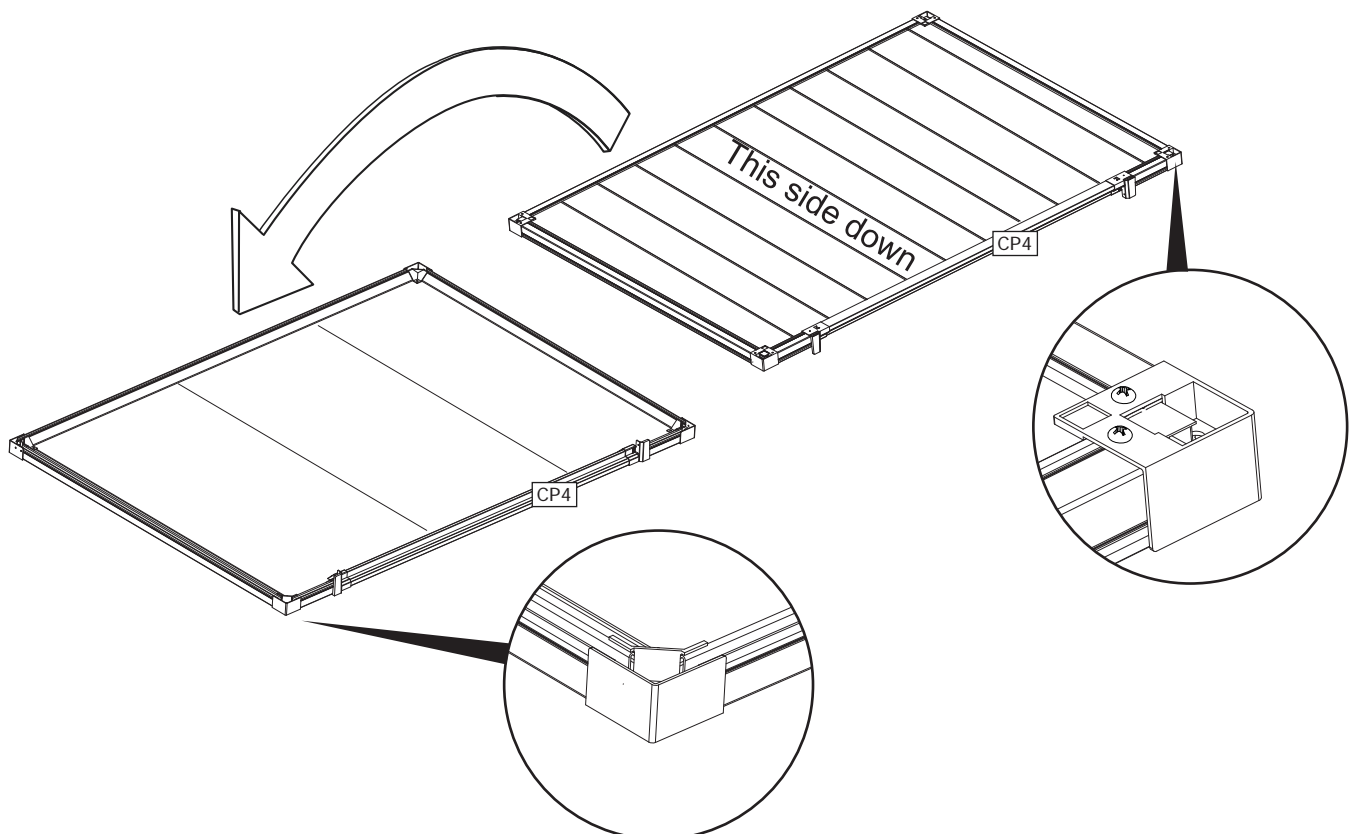
21 PC



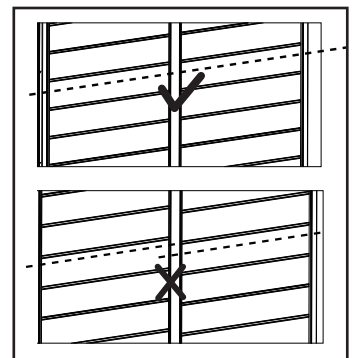
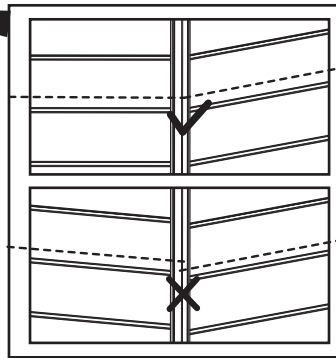
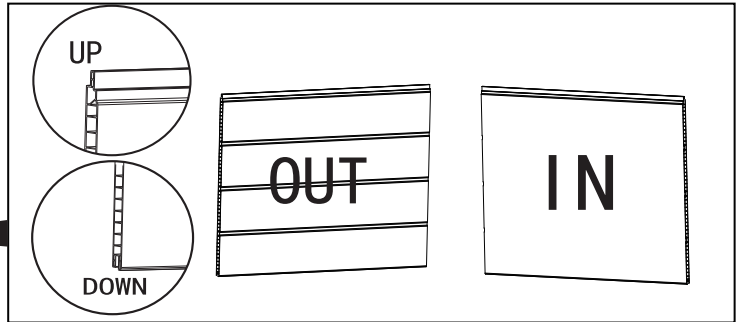
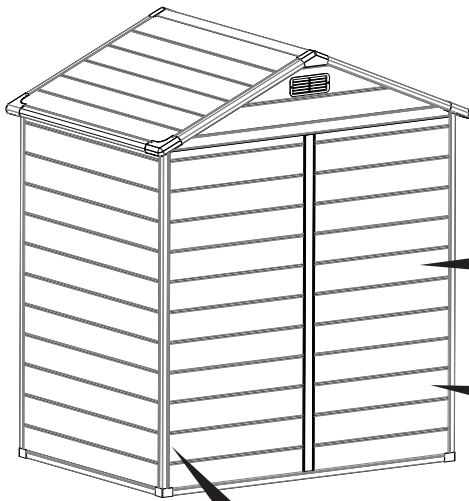
Screw along the marked lines in profile



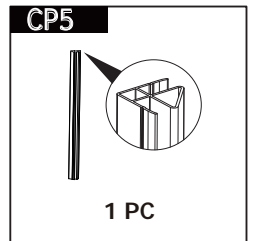
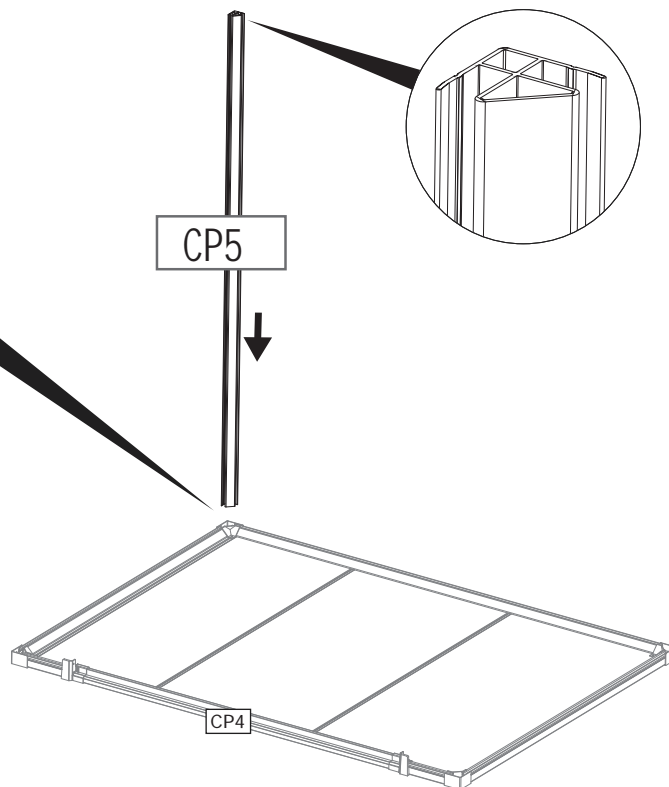
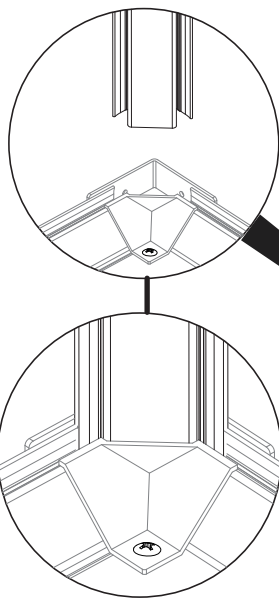
# Step 11



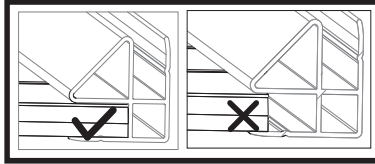
# FLOOR ASSEMBLY



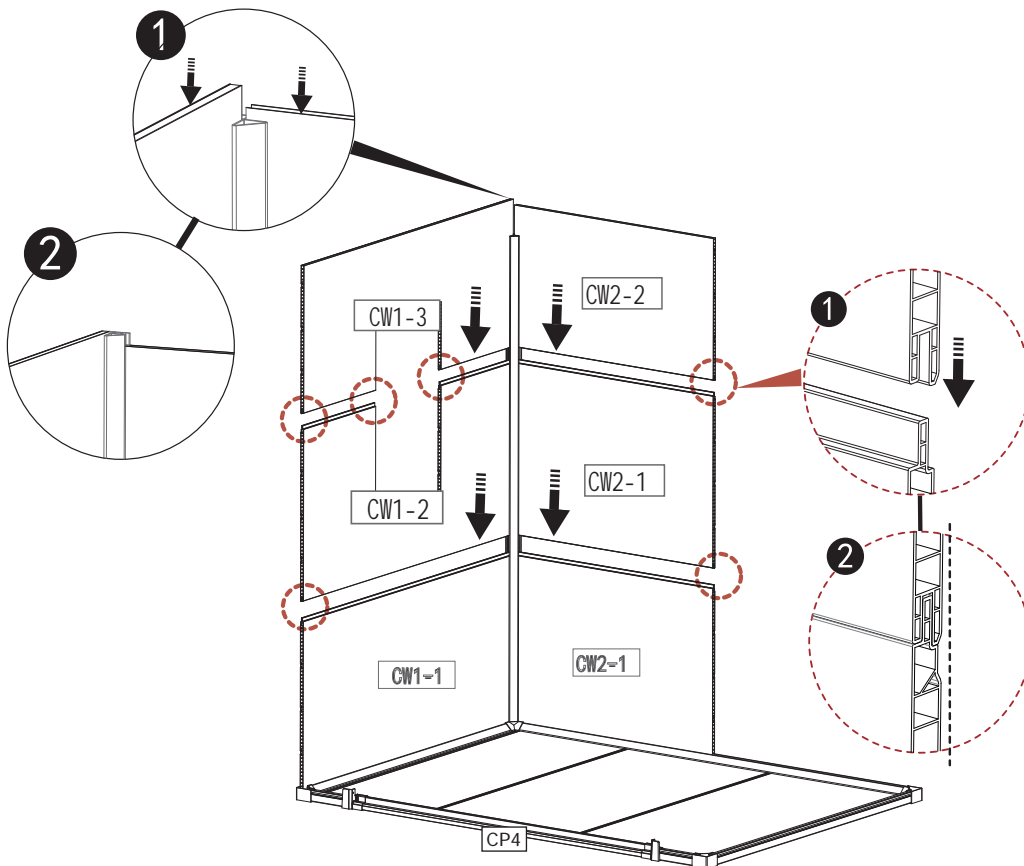
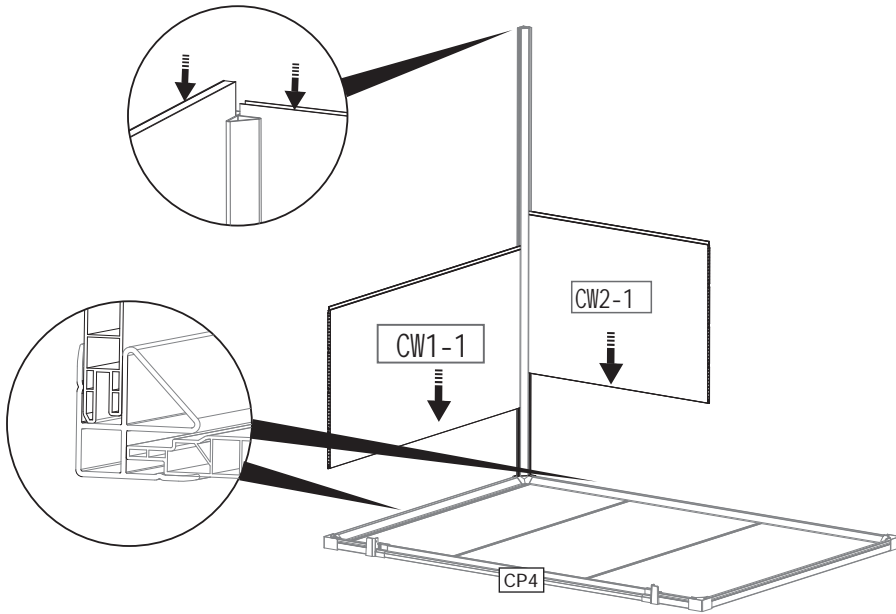
## Step 12

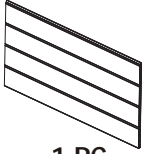
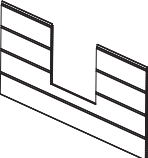
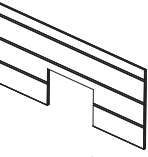
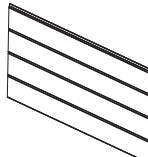
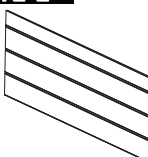
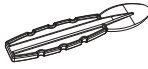


# Step 13

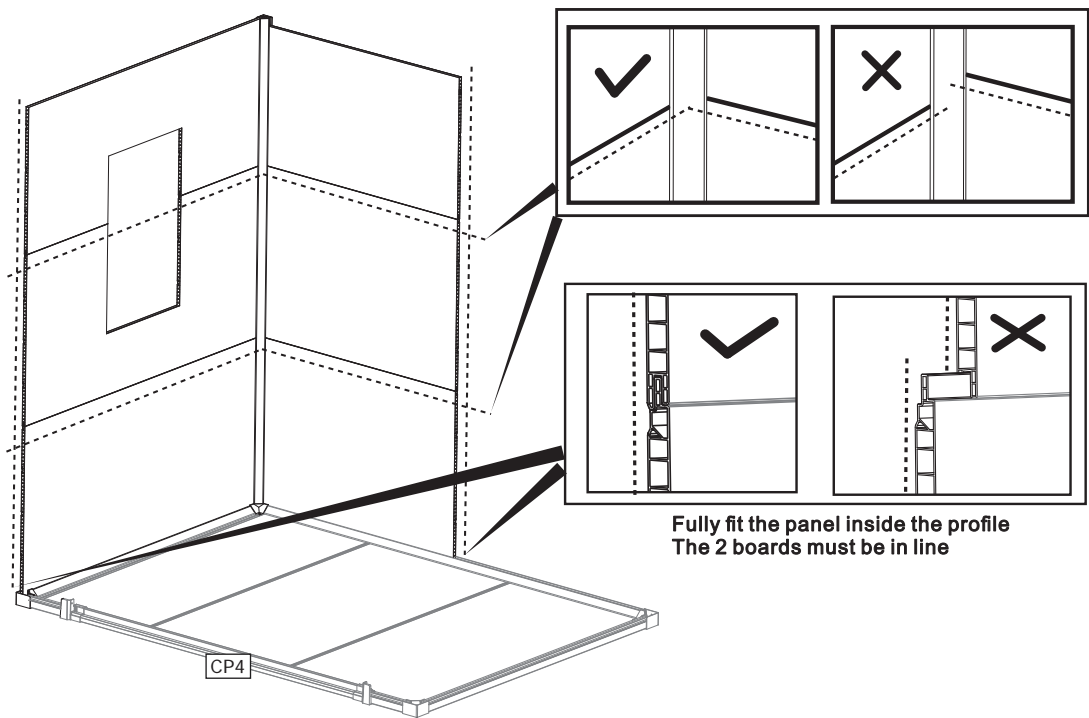


● Fully fit the panel inside the profile

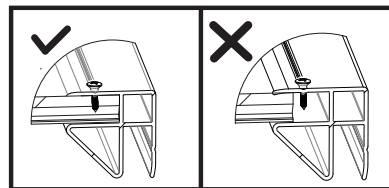
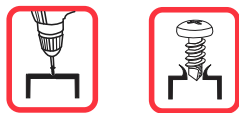


<b>CW1-1</b>  1 PC
<b>CW1-2</b>  1 PC
<b>CW1-3</b>  1 PC
<b>CW2-1</b>  2 PC
<b>CW2-2</b>  1 PC
<b>SG8</b> 

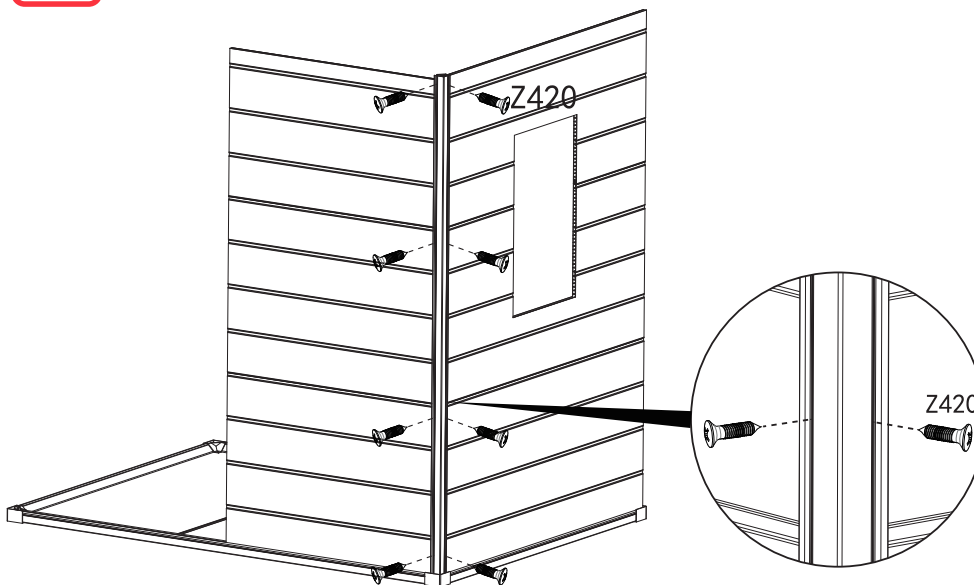
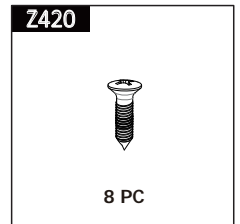
# Step 14



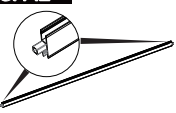
# Step 15

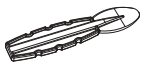


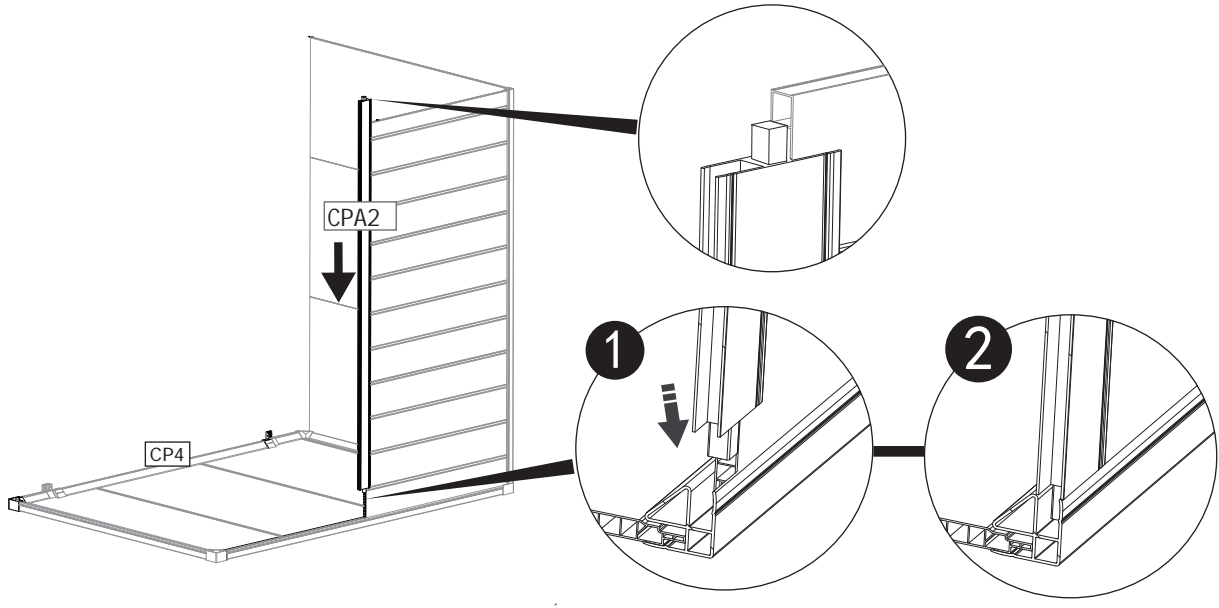
Screw along the marked lines in profile



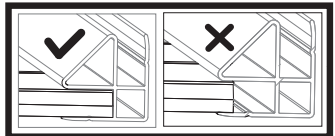
# Step 16

**CPA2**  
  
1 PC

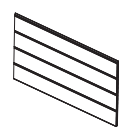
**SG8**  


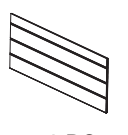


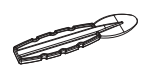
# Step 17

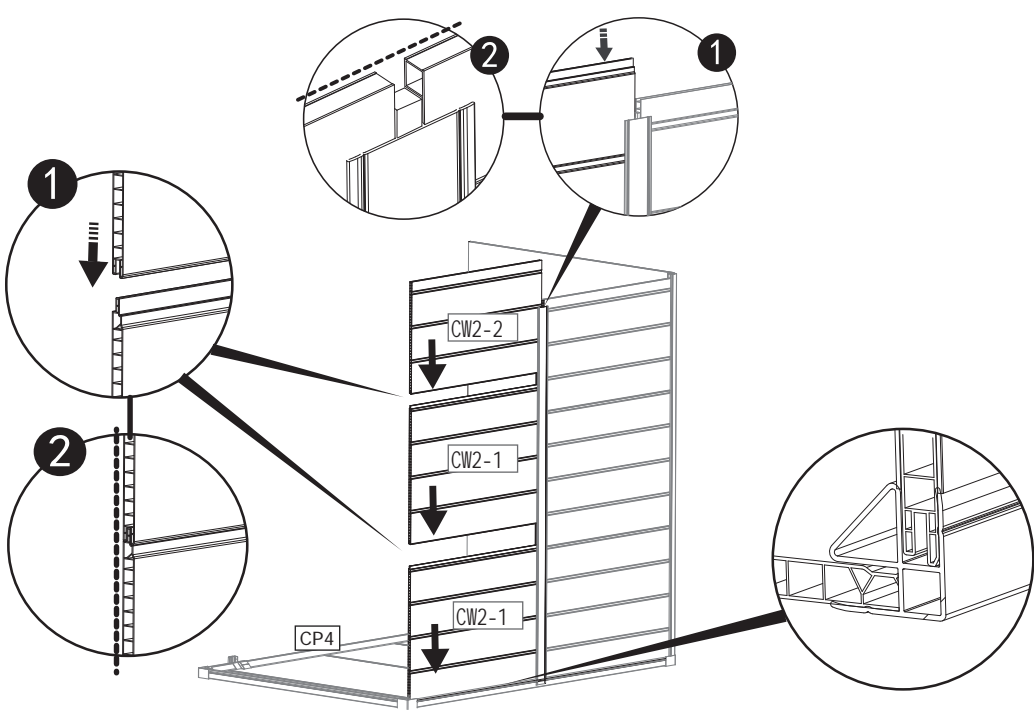


Fully fit the panel inside the profile

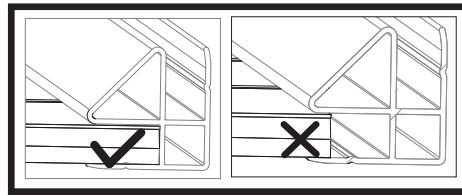
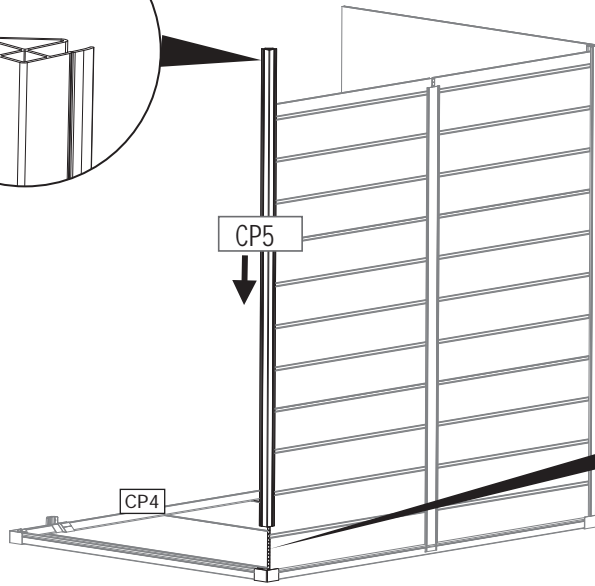
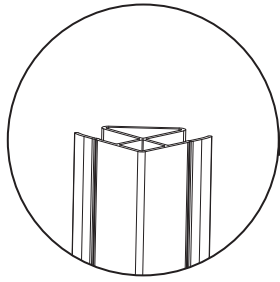
**CW2-1**  
  
2 PC

**CW2-2**  
  
1 PC

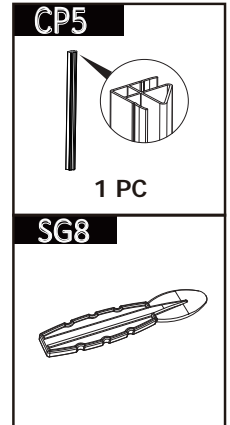
**SG8**  




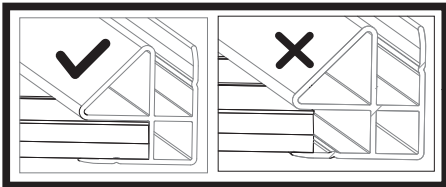
## Step 18



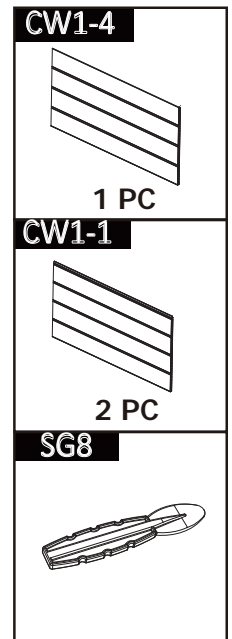
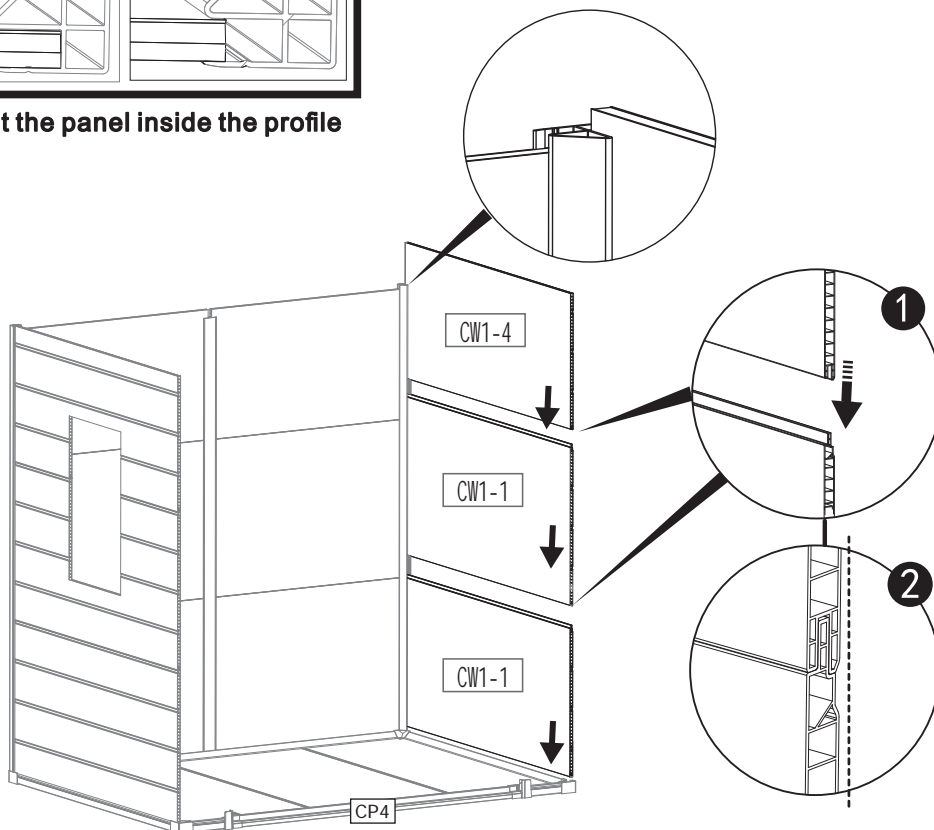
● Fully fit the panel inside the profile



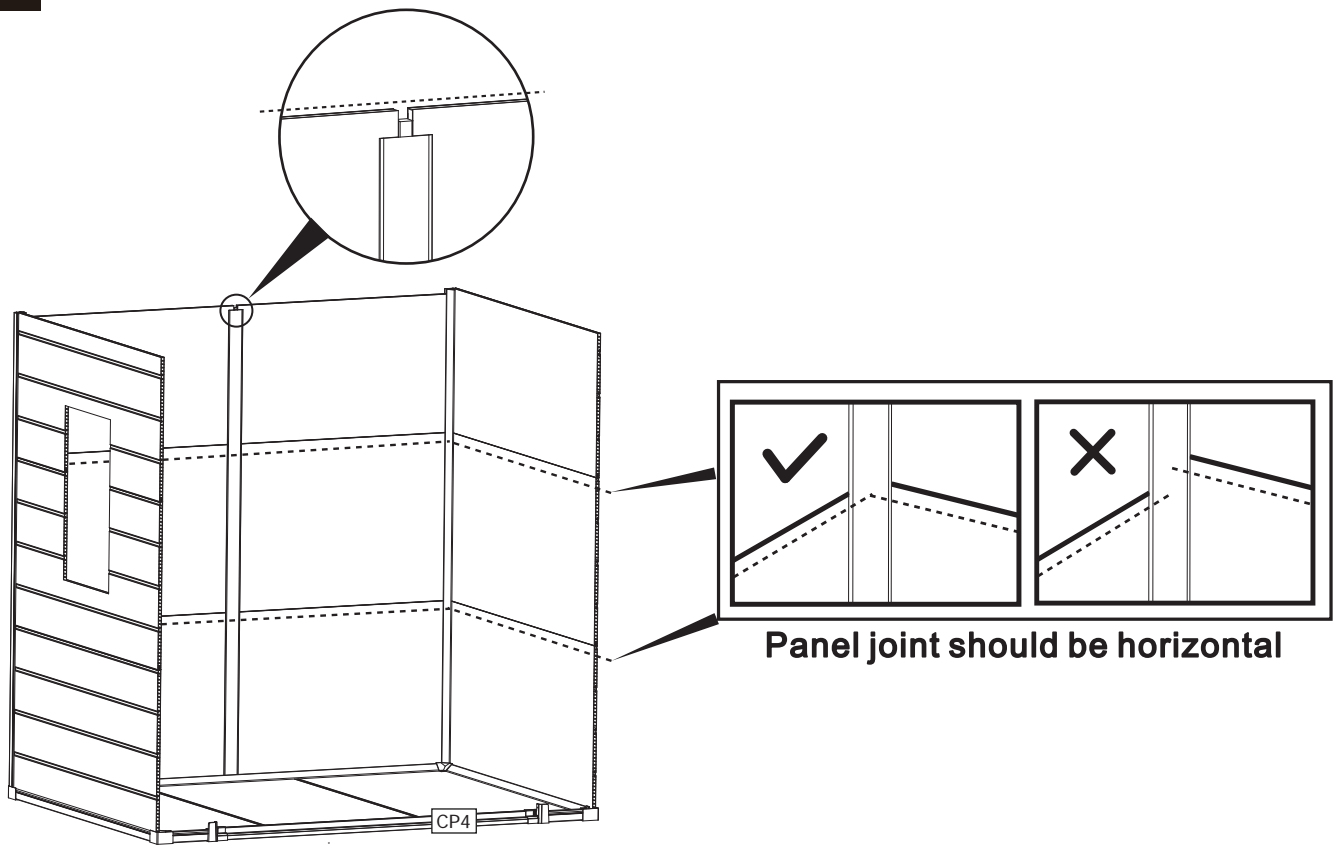
## Step 19



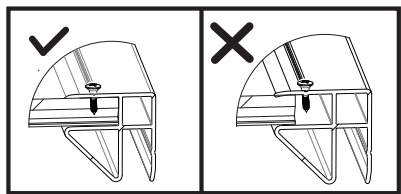
Fully fit the panel inside the profile



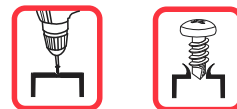
## Step 20



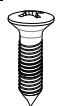
## Step 21



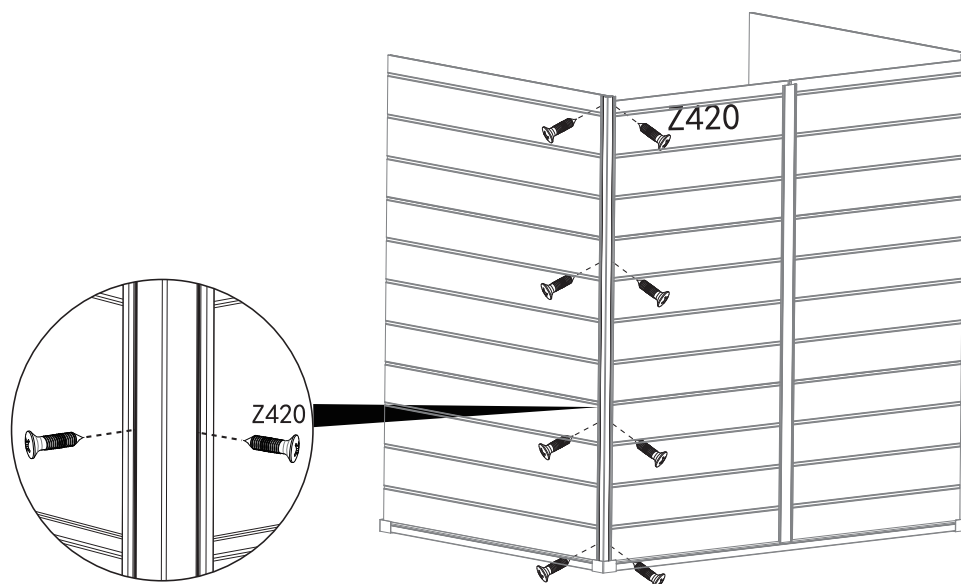
Screw along the marked lines in profile



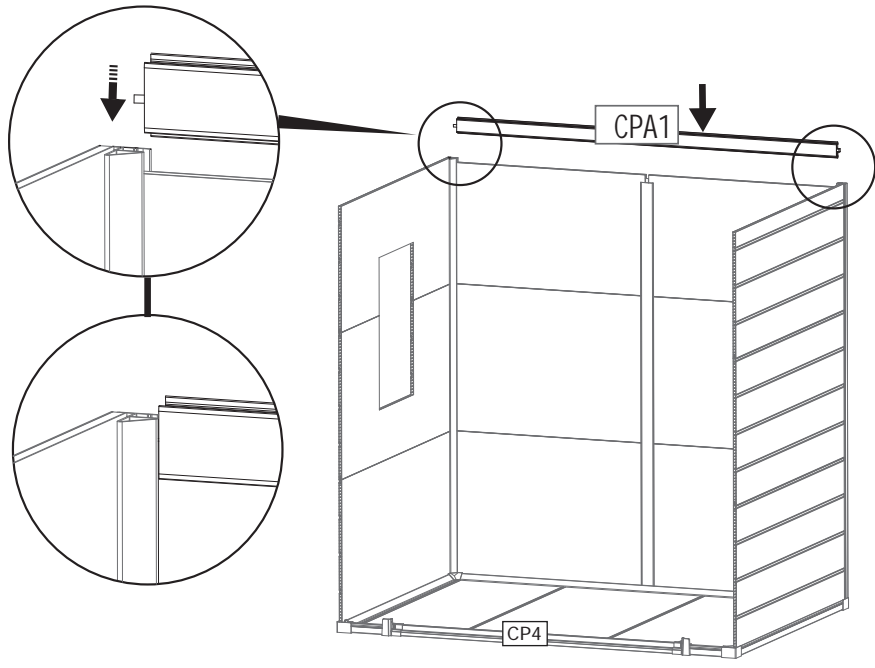
Z420



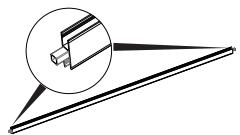
8 PC



# Step 22

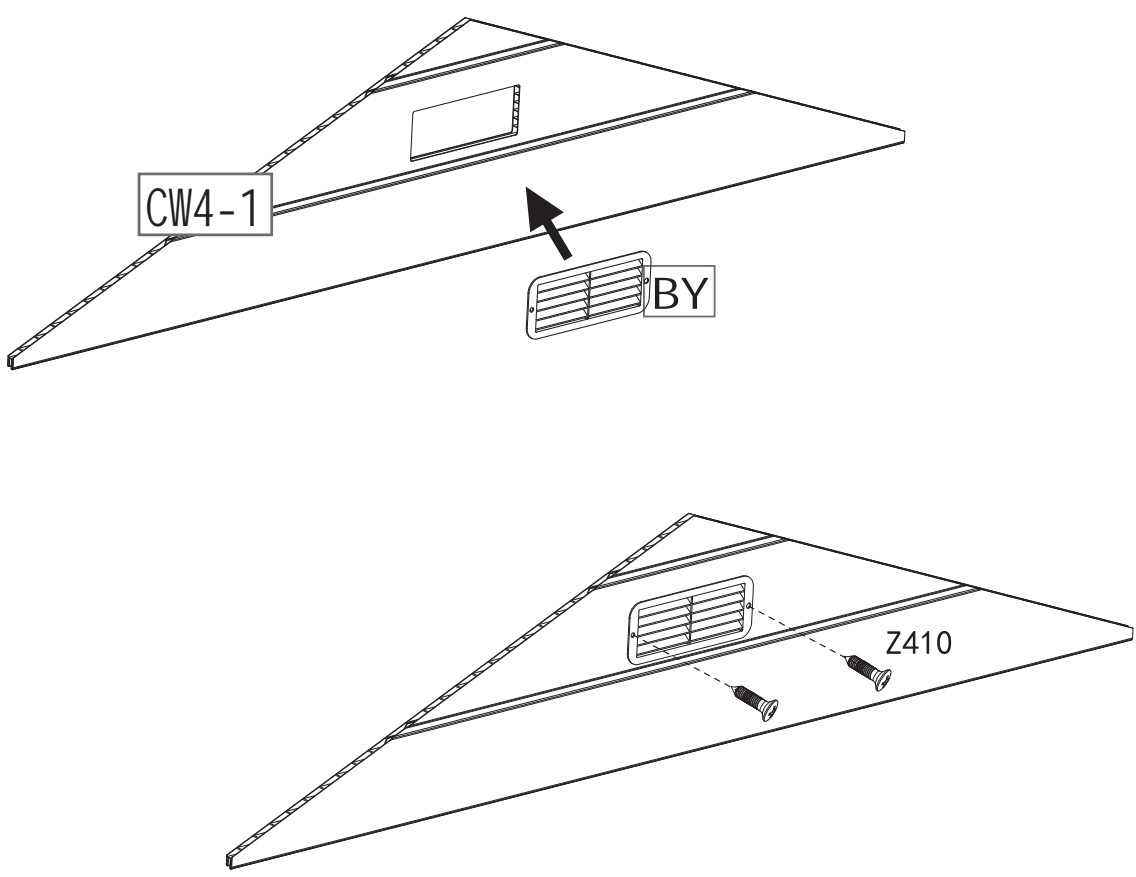


**CPA1**




1 PC

# Step 23

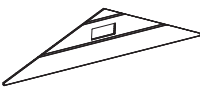


**BY**




1 PC

**CW4-1**



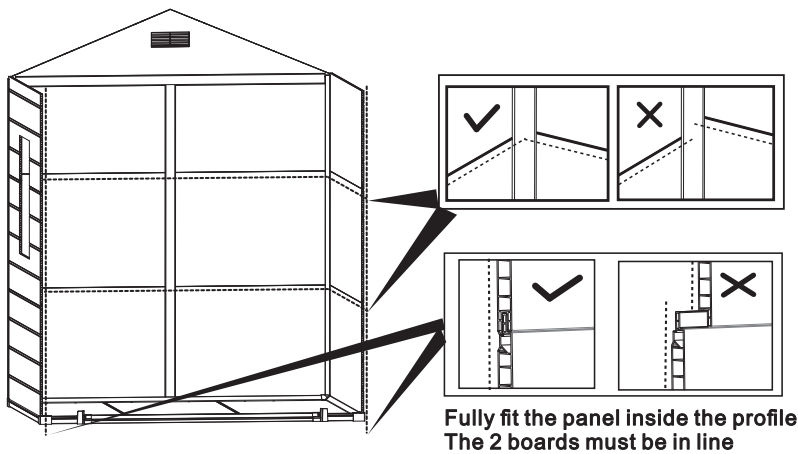
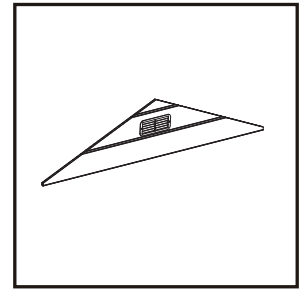
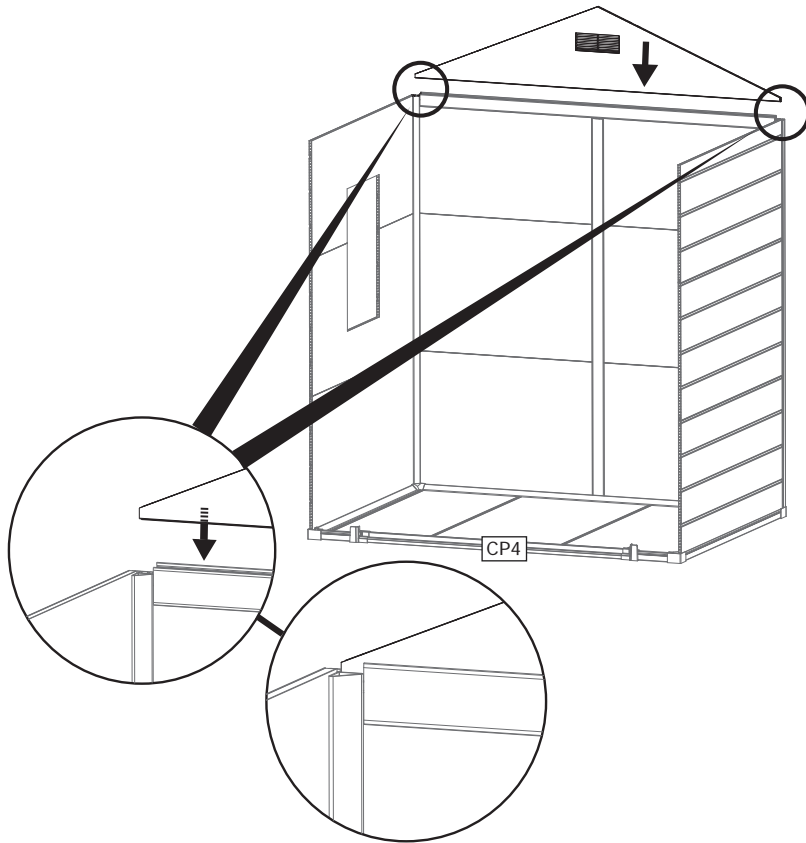
1 PC

**Z410**

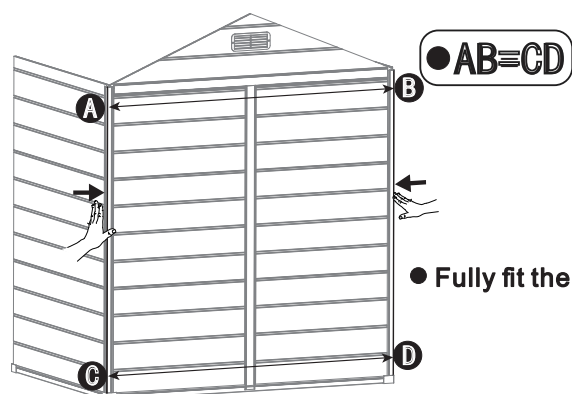


2 PC

# Step 24



Fully fit the panel inside the profile  
The 2 boards must be in line

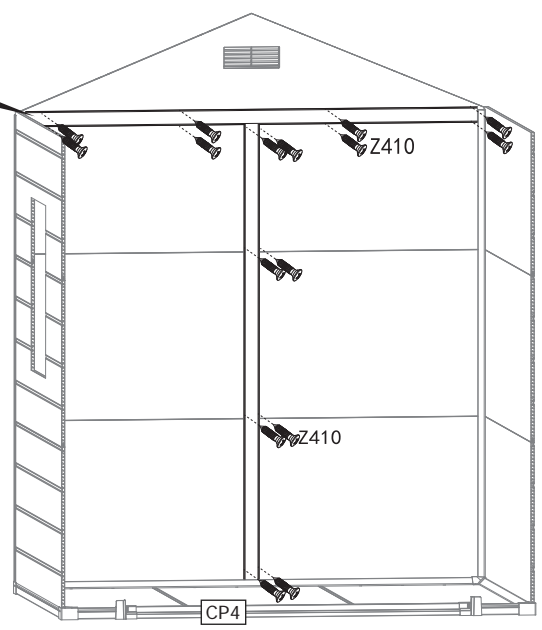
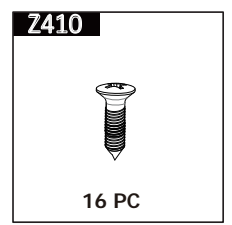
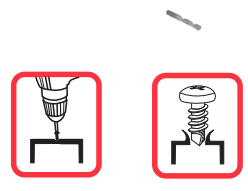
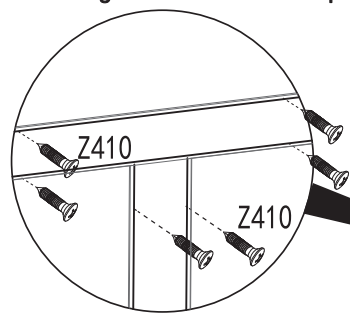


●  $AB=CD$

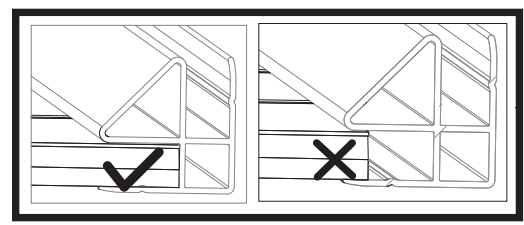
● Fully fit the panel inside the profile

# Step 25

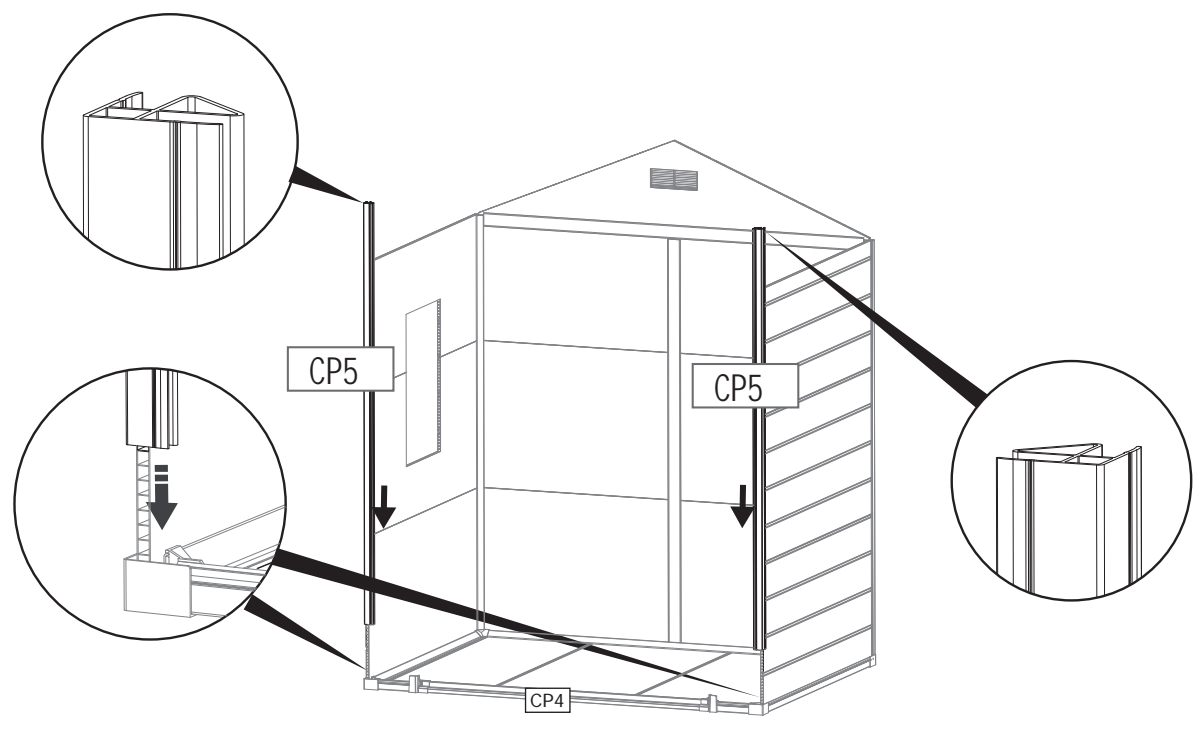
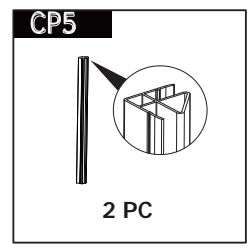
Screw along the marked lines in profiles



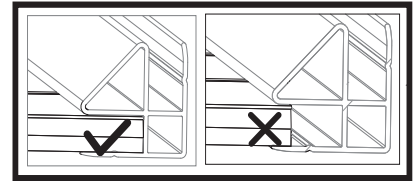
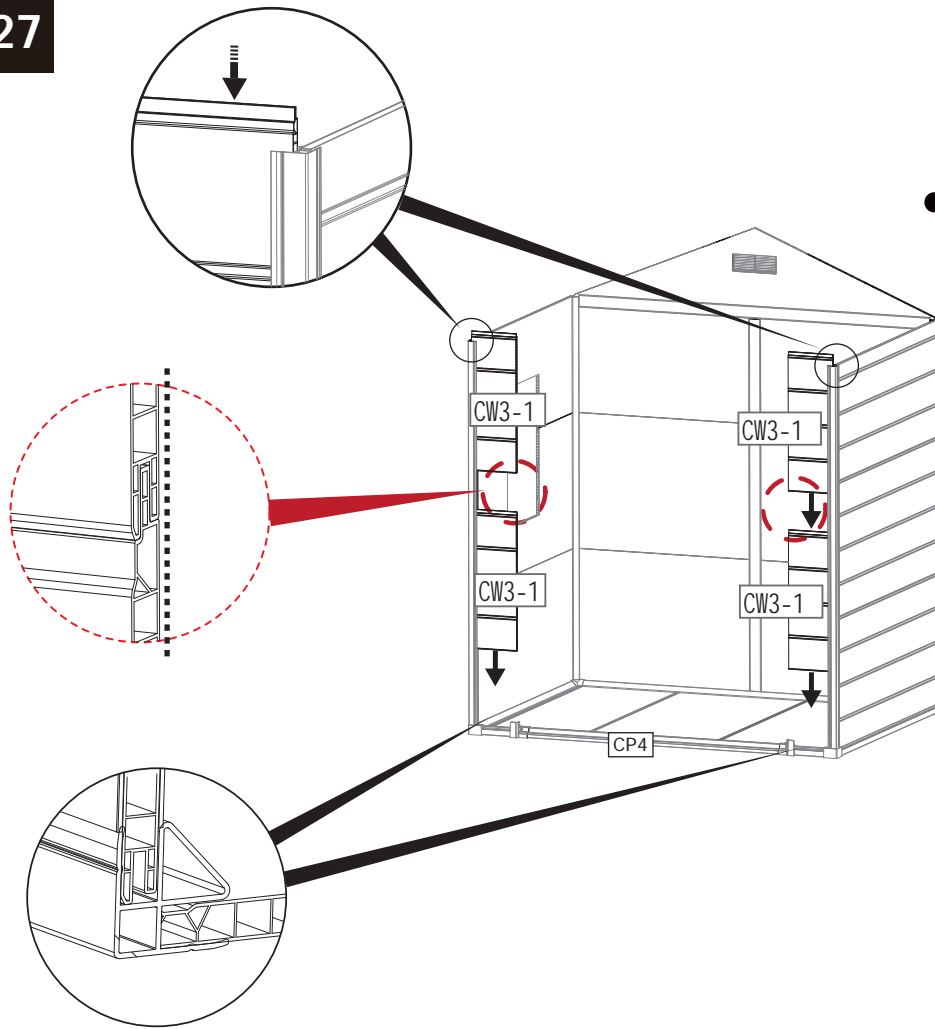
# Step 26



● Fully fit the panel inside the profile



## Step 27

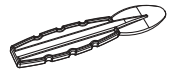


- Fully fit the panel inside the profile

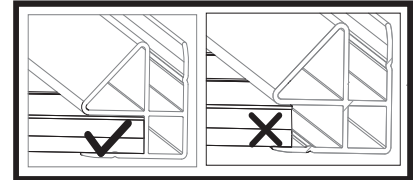
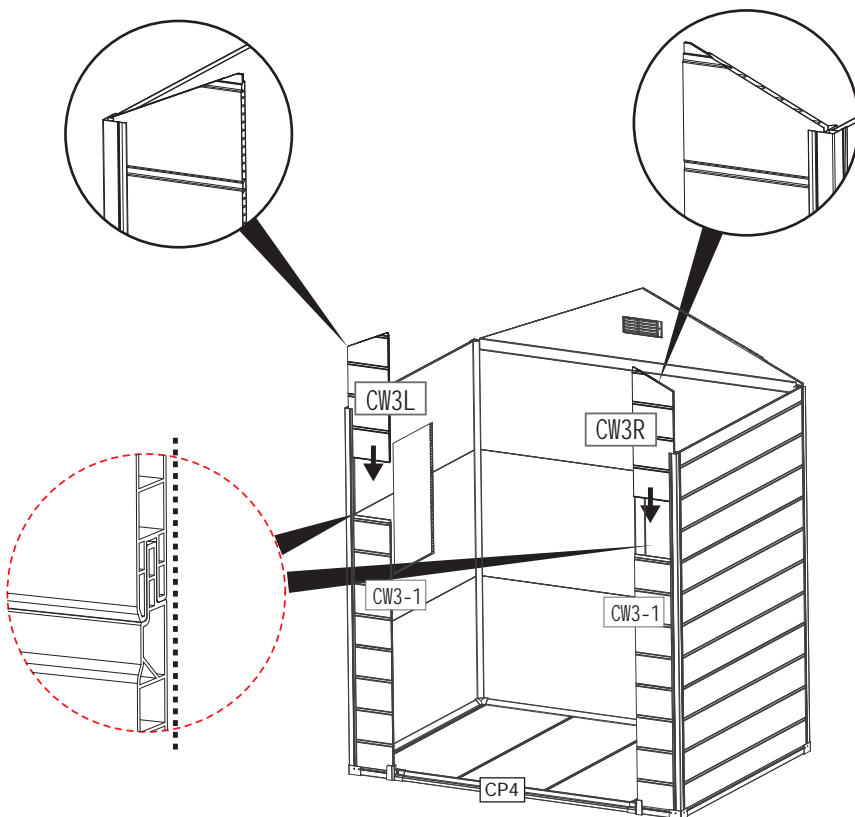
### CW3-1



4 PC



## Step 28



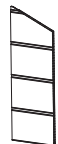
- Fully fit the panel inside the profile

### CW3L

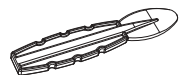


1 PC

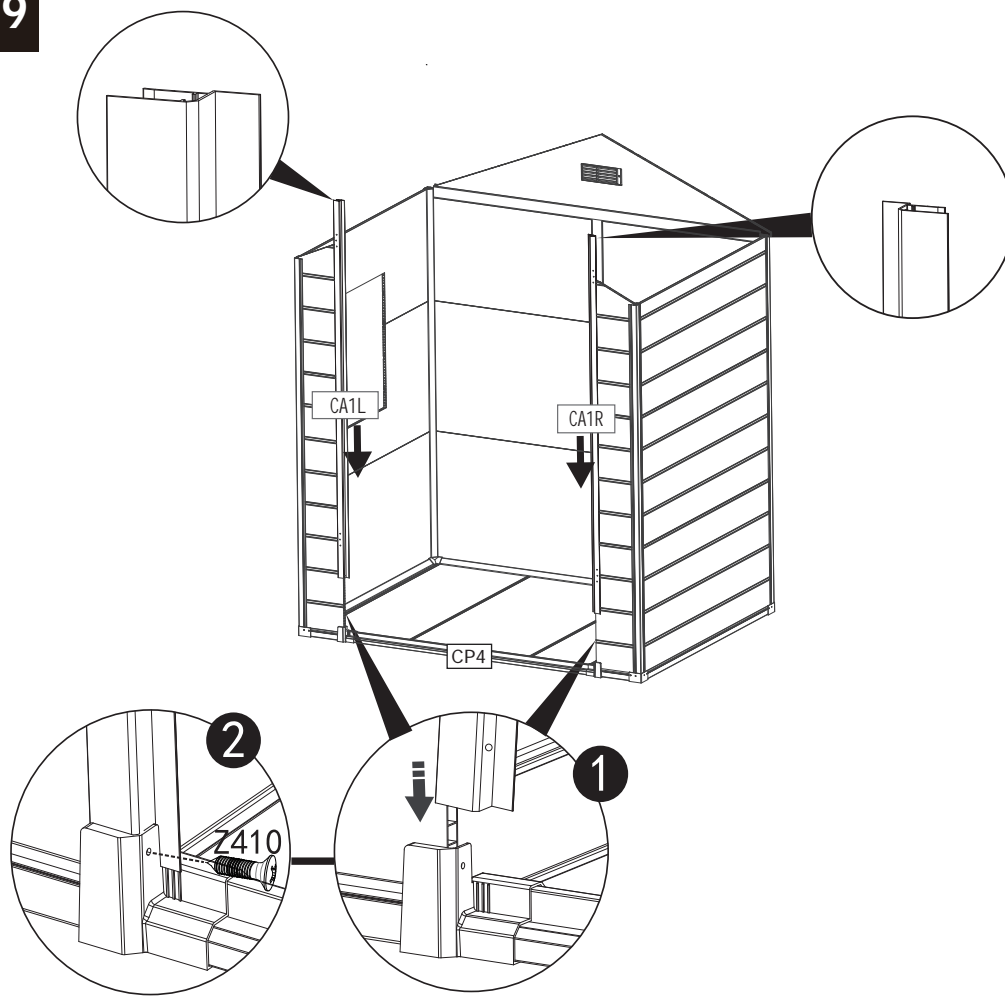
### CW3R


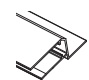



1 PC

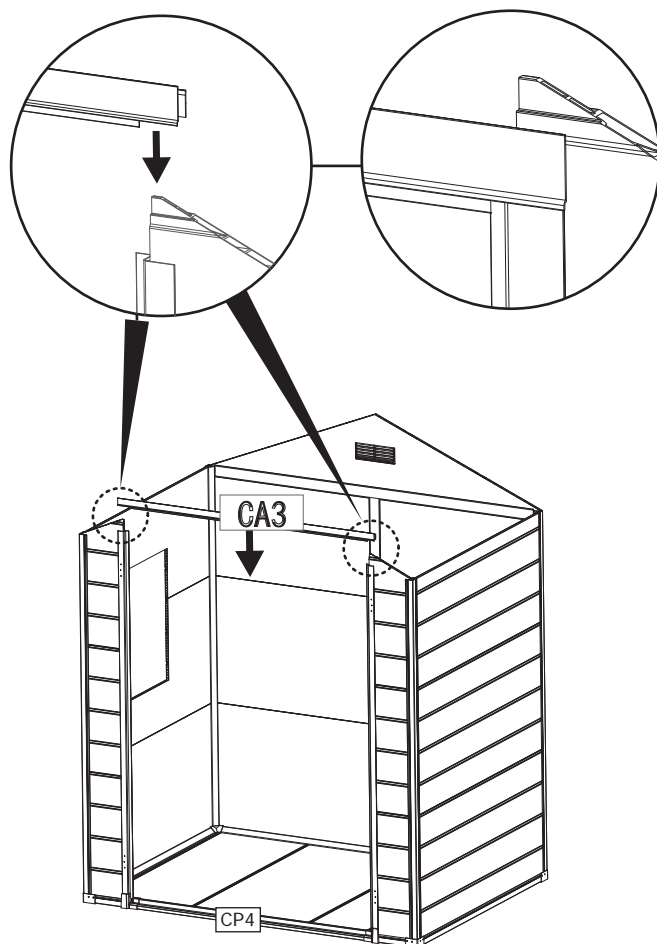


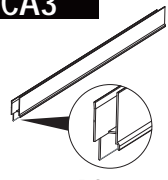
# Step 29

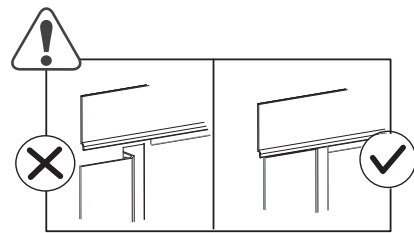


- CA1L**  
  
1 PC
- CA1R**  
  
1 PC
- Z410**  
  
2 PC

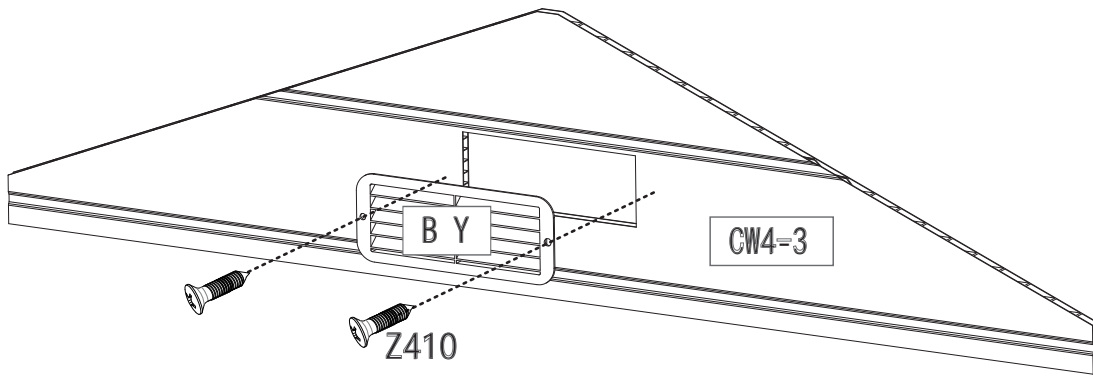
# Step 30



- CA3**  
  
1 PC



# Step 31

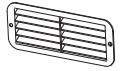


CW4-3



1 PC

BY



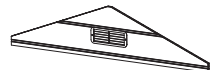
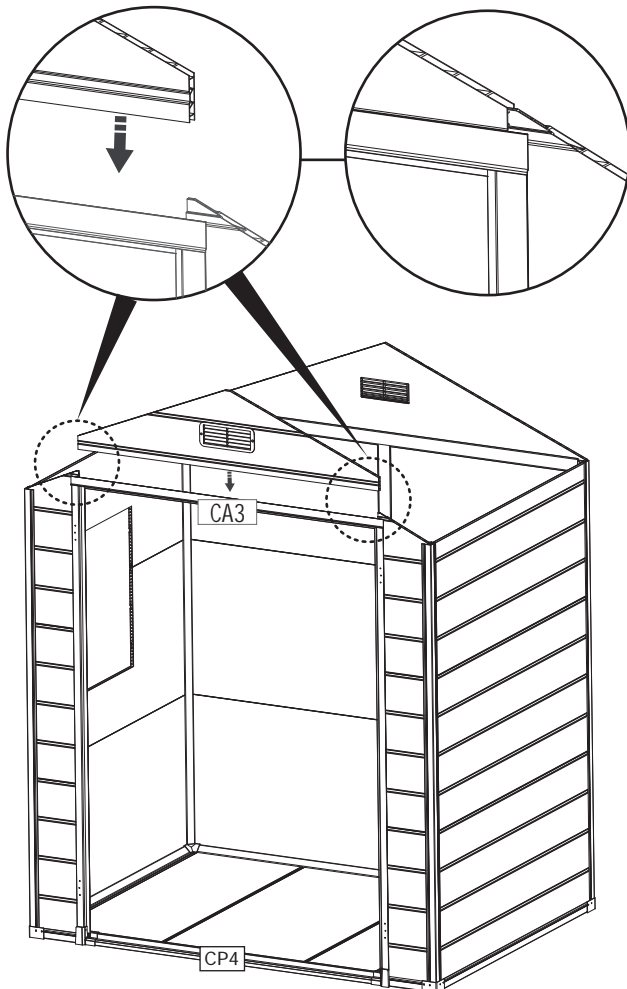
1 PC

Z410



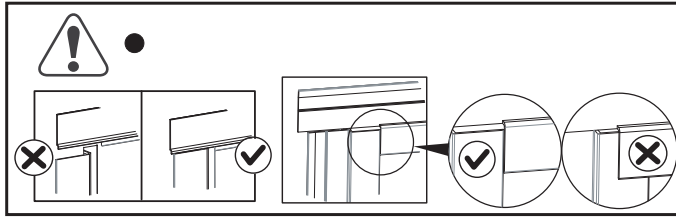
2 PC

# Step 32



CW4-3+BY

## Step 33



**ZW413**

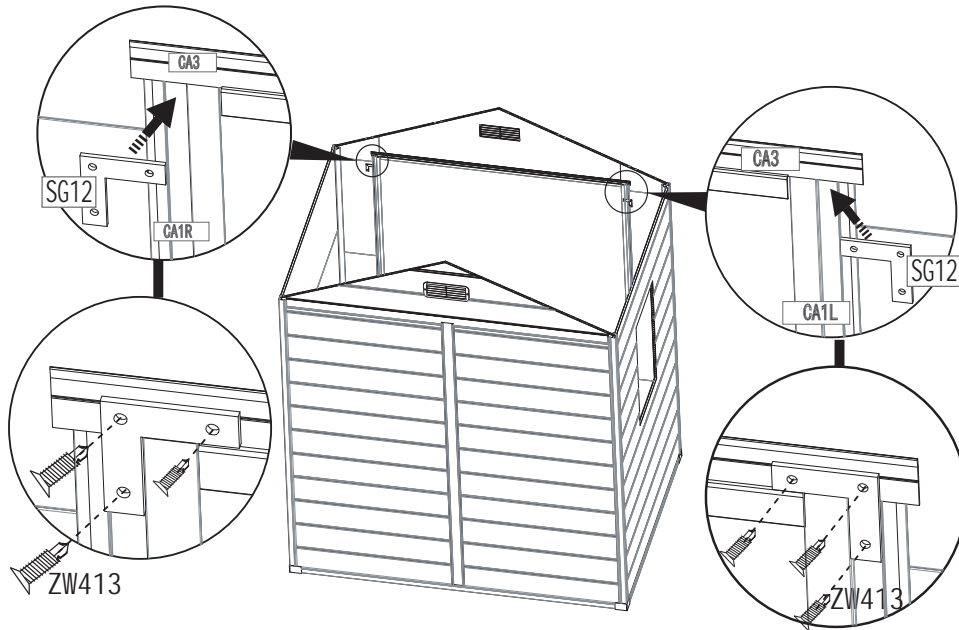


6 PC

**SG12**

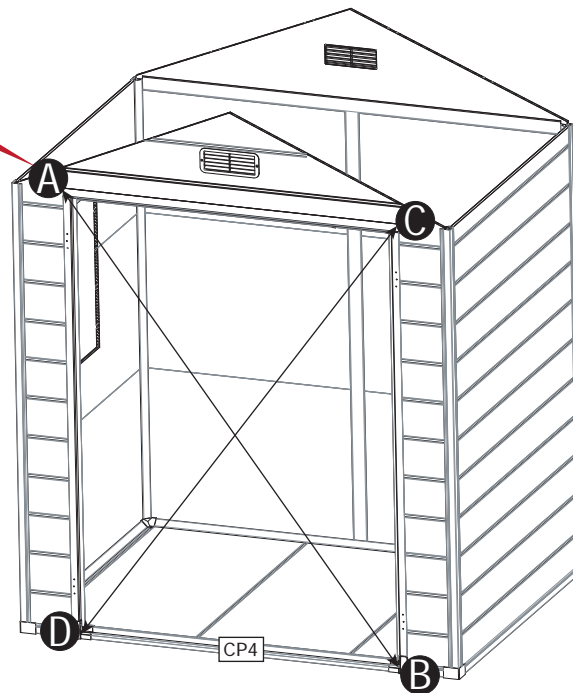


2 PC



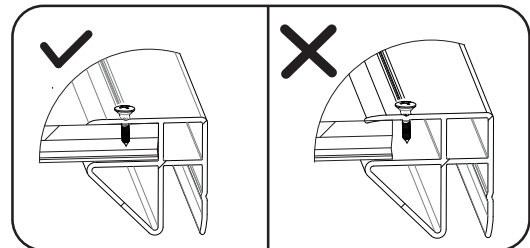
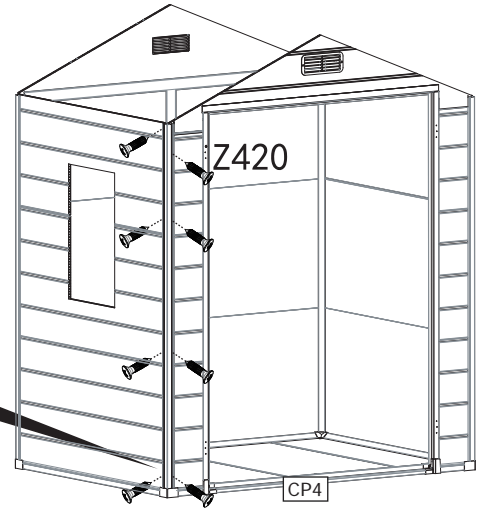
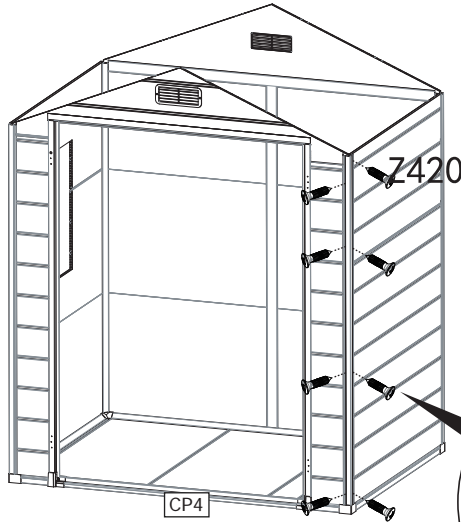
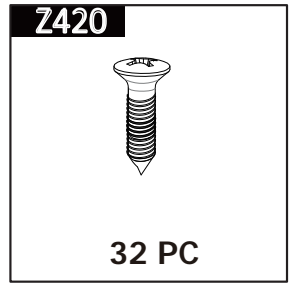
## Step 34

**AB=CD**

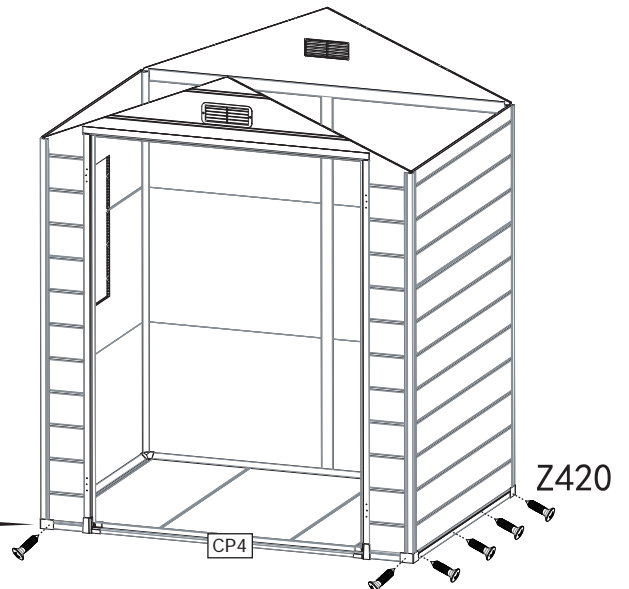
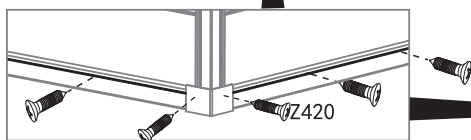
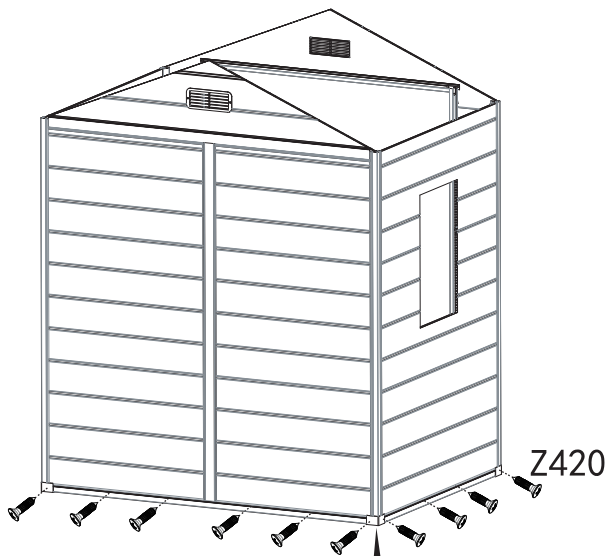


# Step 35

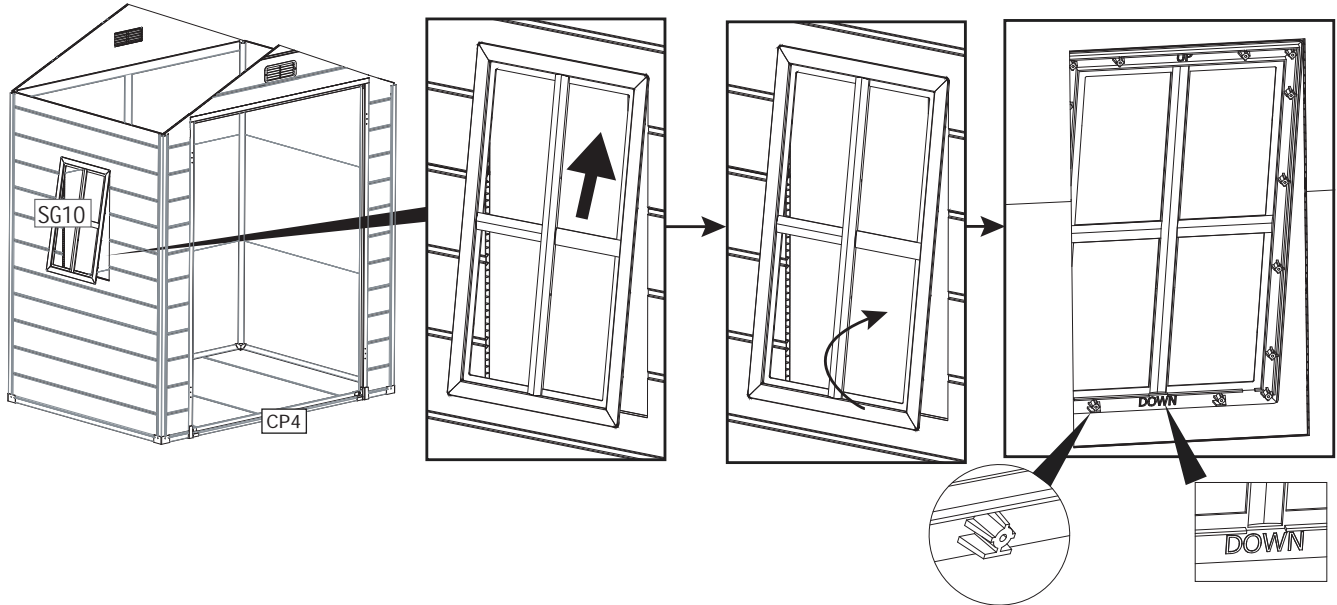
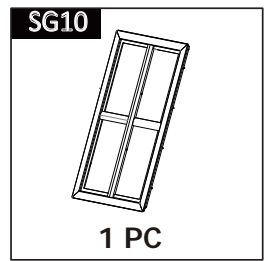
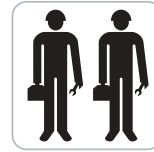
Screw when the boards are in position



Fully fit the panel inside the profile  
Screw along the marked lines in profiles

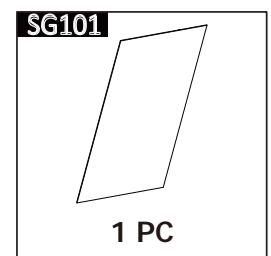
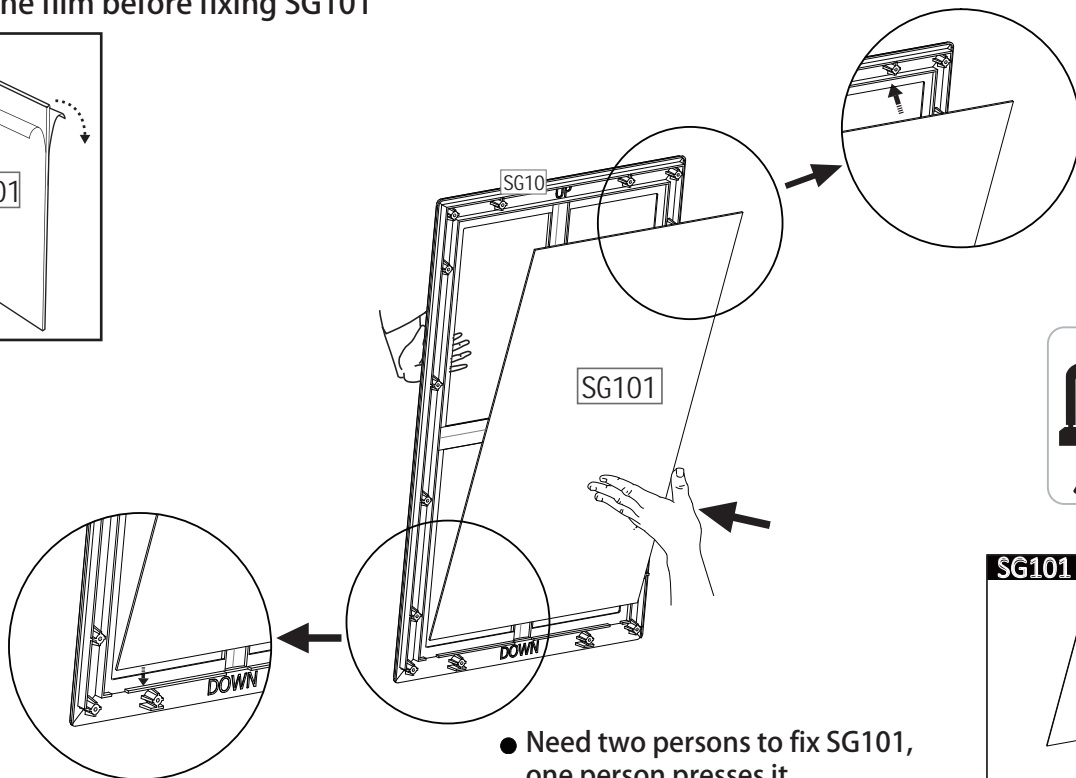
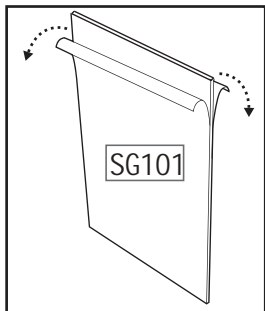


## Step 36



## Step 37

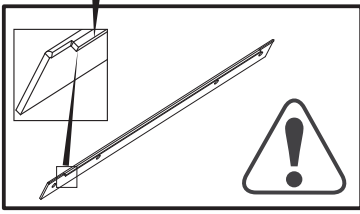
- Remove the film before fixing SG101



- Need two persons to fix SG101, one person presses it, and the other person assembles it.

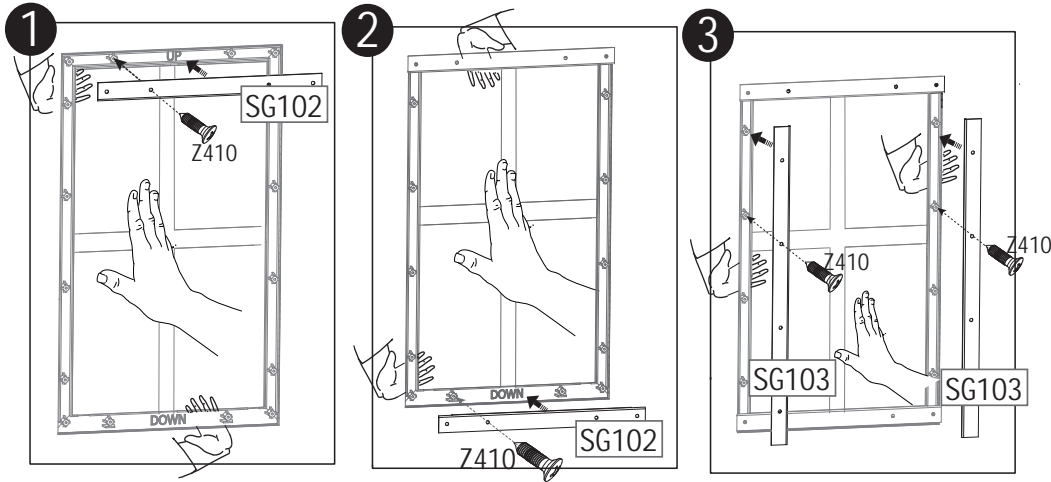
# Step 38

The press plate boss section shall be pressed against SG101



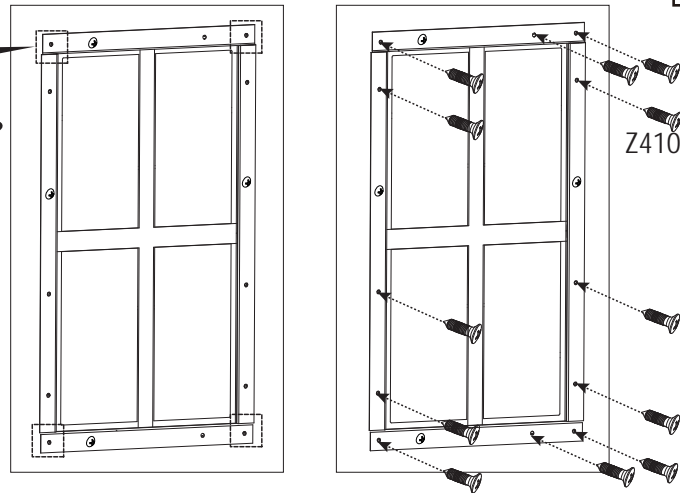
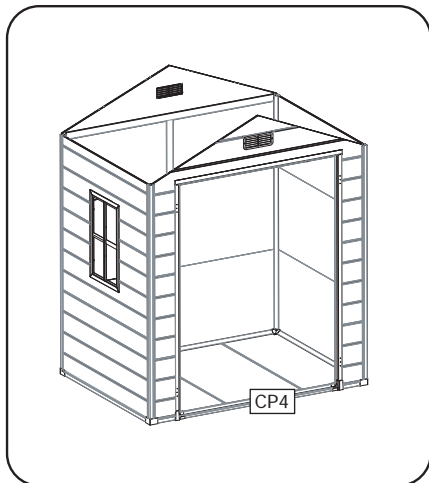
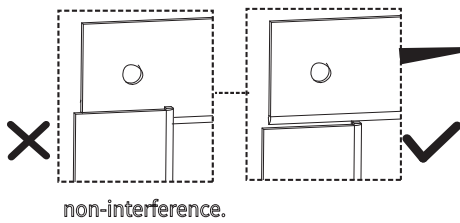
- Press tightly to avoid falling down
- Please note the side with bending edge be pressed to SG101
- It's better to fix just one screw on each SG102&SG103 before each one adjust into right location.

<b>SG102</b>	
	2 PC
<b>SG103</b>	
	2 PC
<b>Z410</b>	
	4 PC

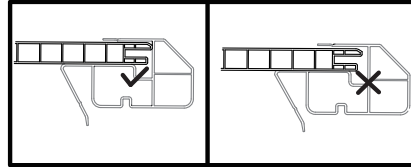
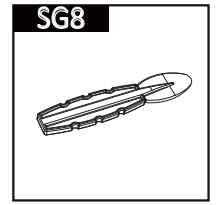


# Step 39

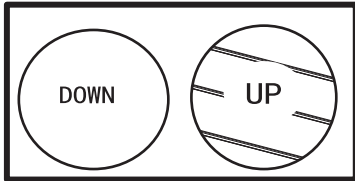
<b>Z410</b>	
	12PC



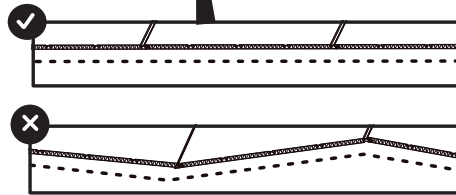
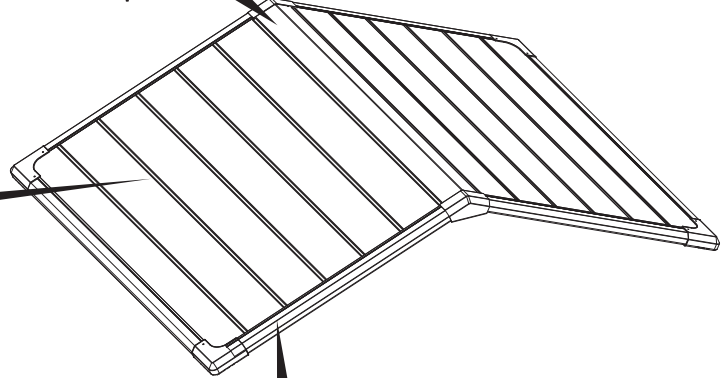
# ROOF PARTS



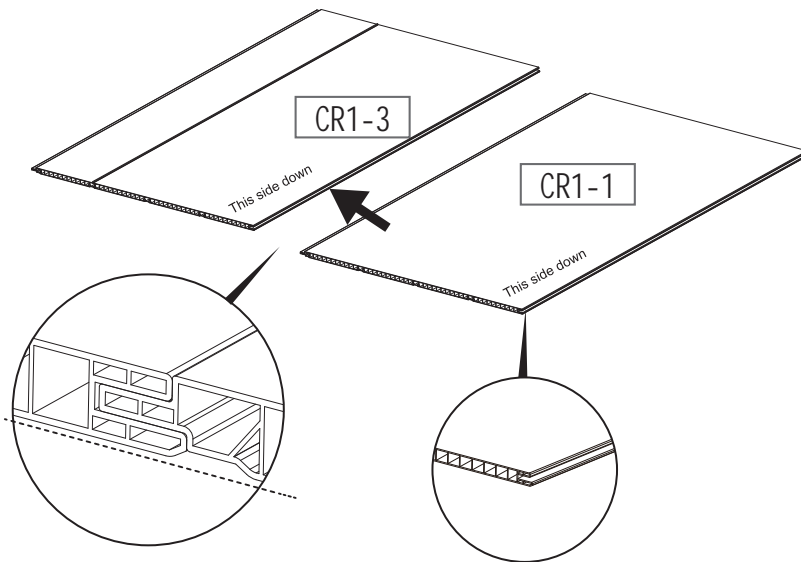
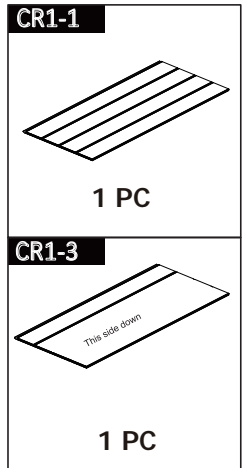
Fully fit the panel inside the profile



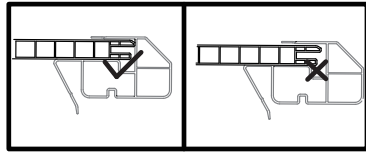
The stripes should be upwards



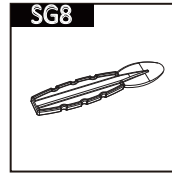
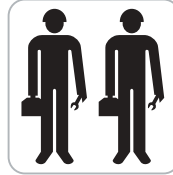
## Step 40



# Step 41



Fully fit the panel inside the profile



**CP6**



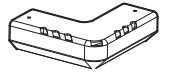
1 PC

**CP7**

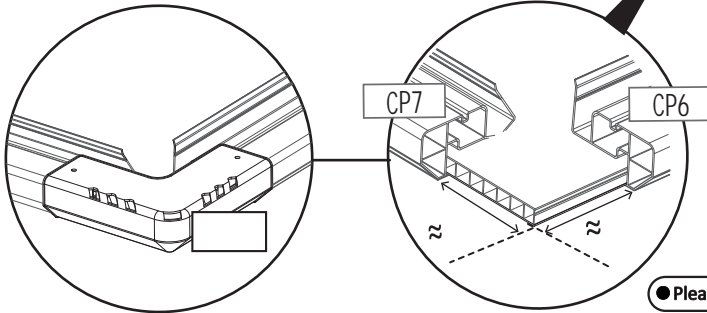
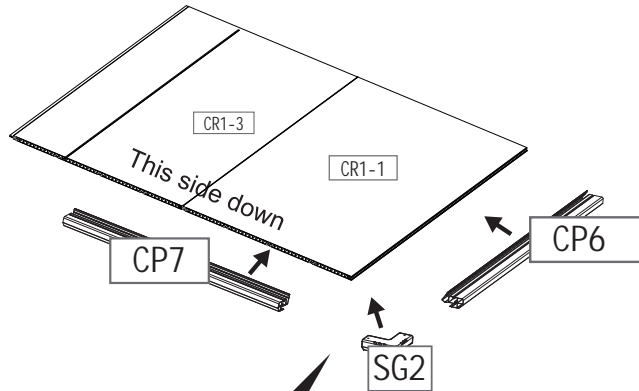


1 PC

**SG2**

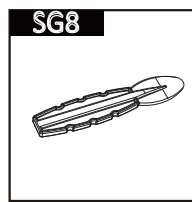


1 PC

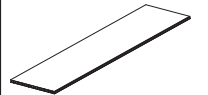


● Please note the measurement dimensions

# Step 42

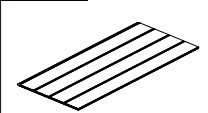


**CR1-2**

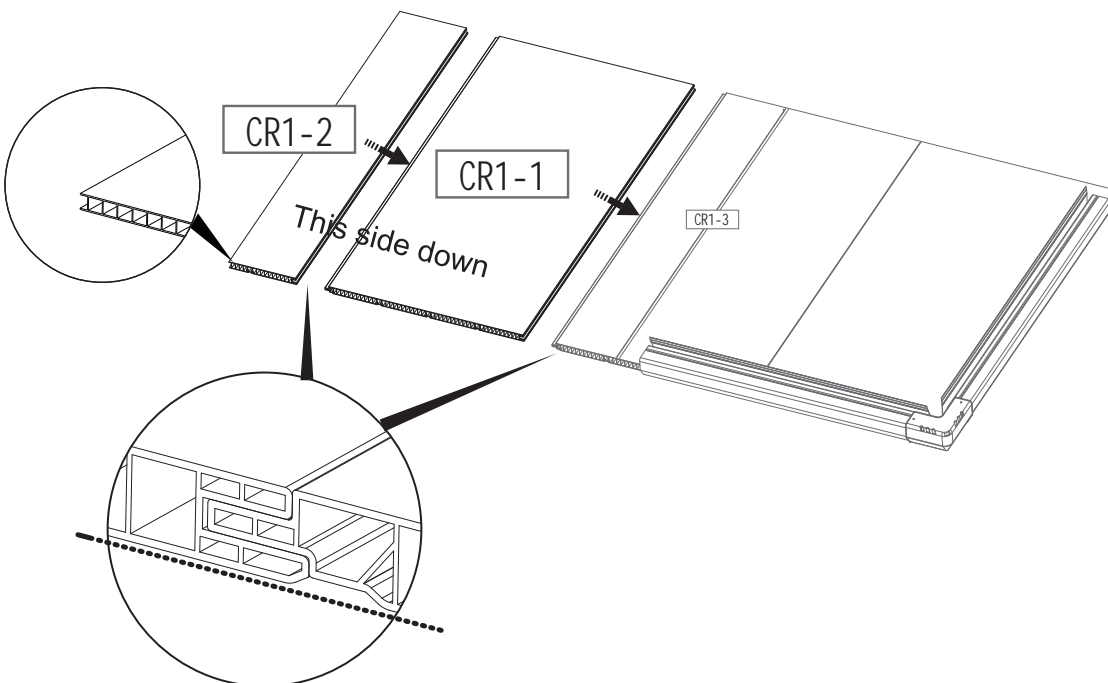


1PC

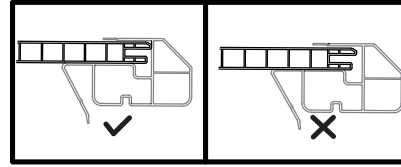
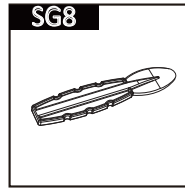
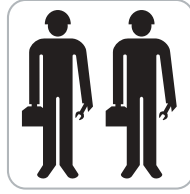
**CR1-1**



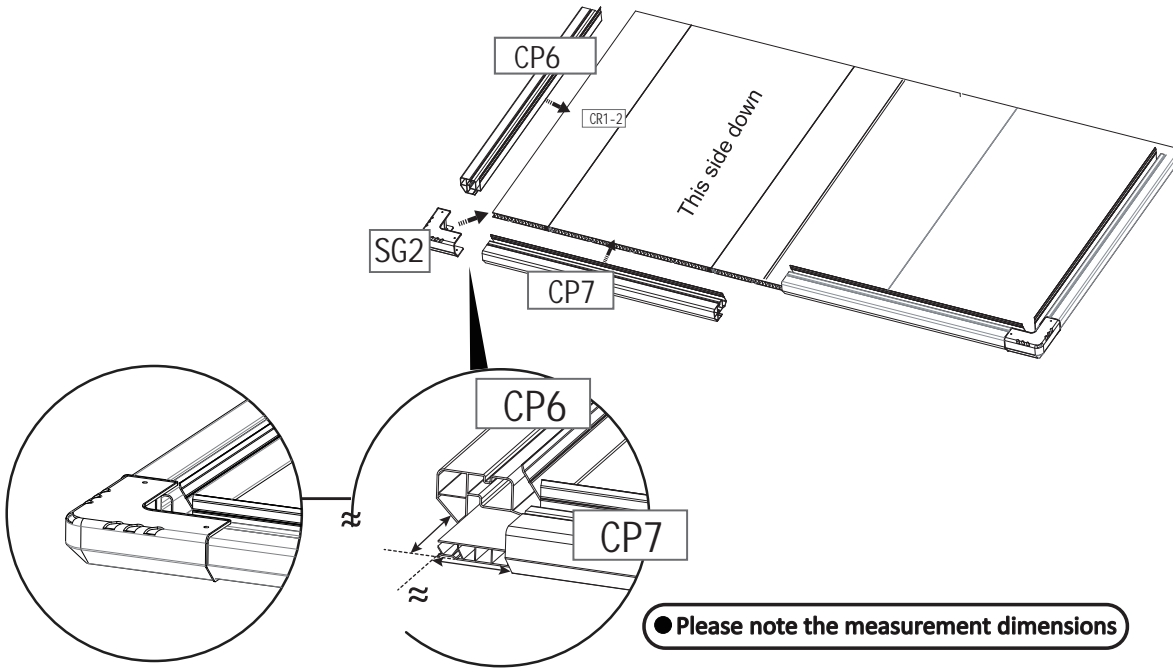
1 PC



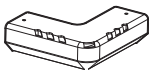


# Step 43



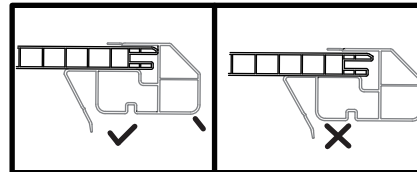
Fully fit the panel inside the profile



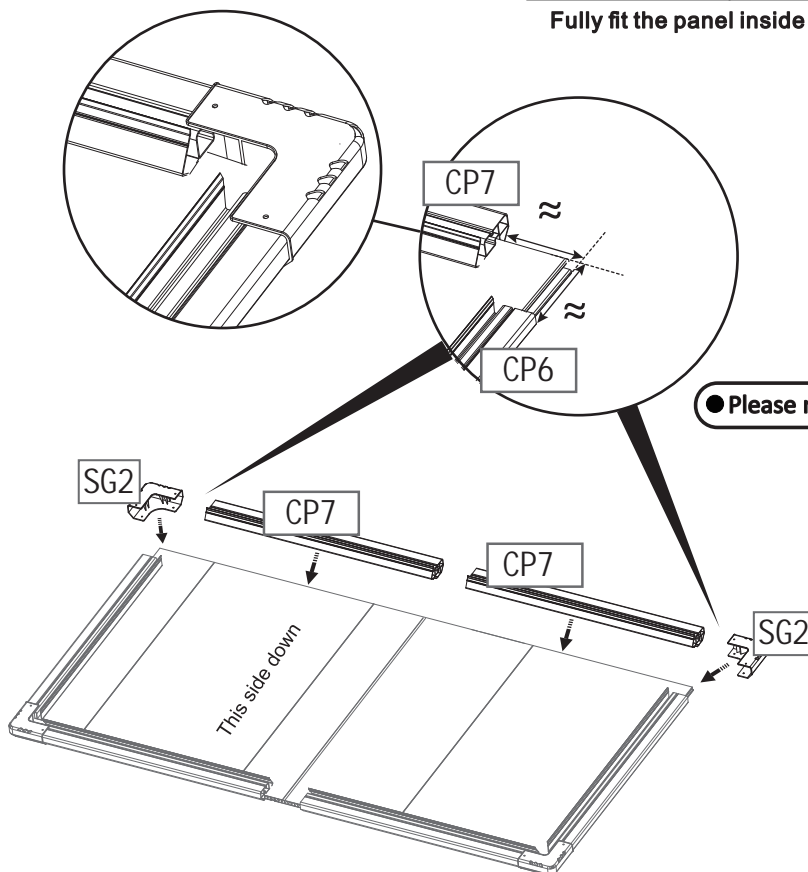
- CP6**  
  
1 PC
- CP7**  
  
1 PC
- SG2**  
  
1 PC

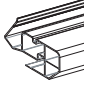
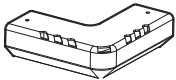
● Please note the measurement dimensions

# Step 44



Fully fit the panel inside the profile



- CP7**  
  
2 PC
- SG2**  
  
2 PC

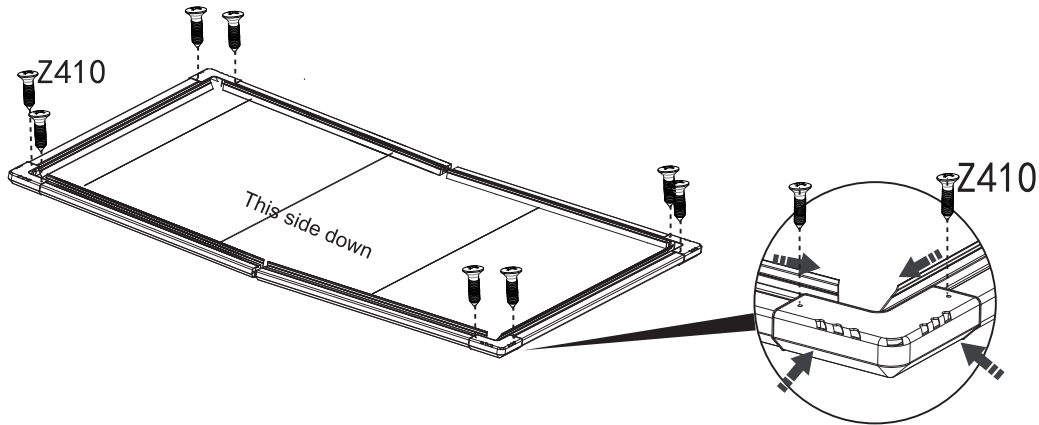
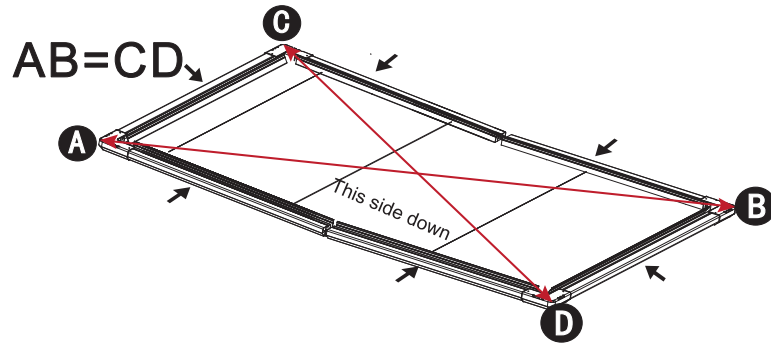
● Please note the measurement dimensions

# Step 45

Z410



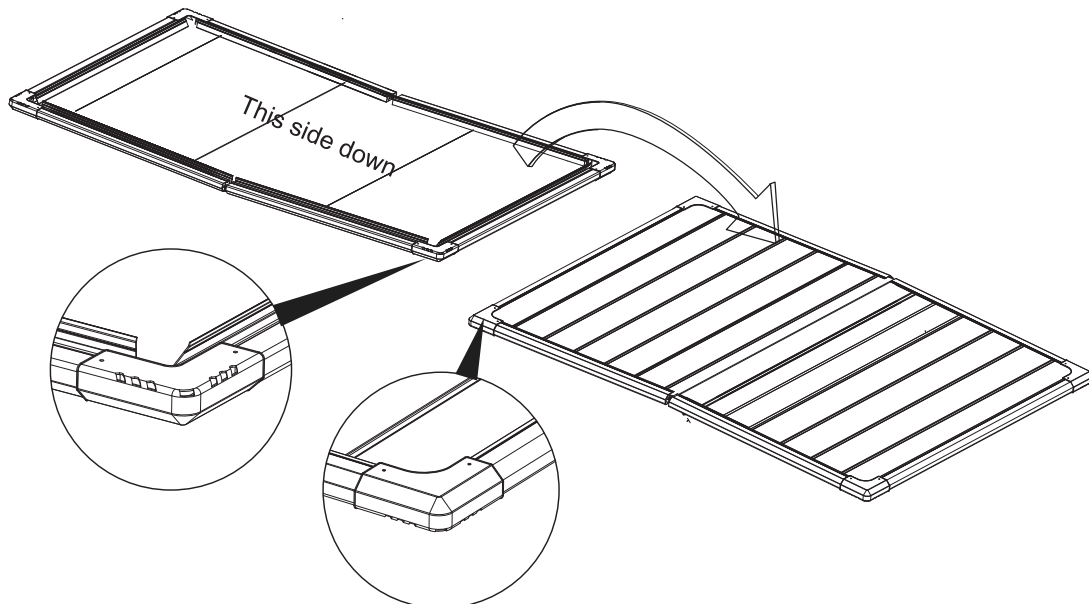
8 PC



# Step 46



Turn the roof boards over

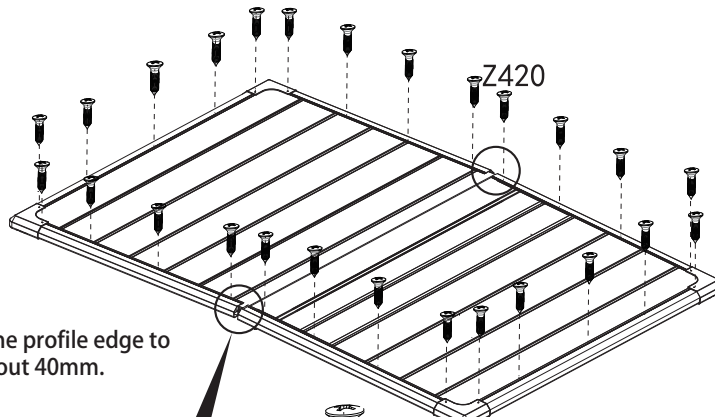
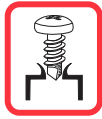


# Step 47

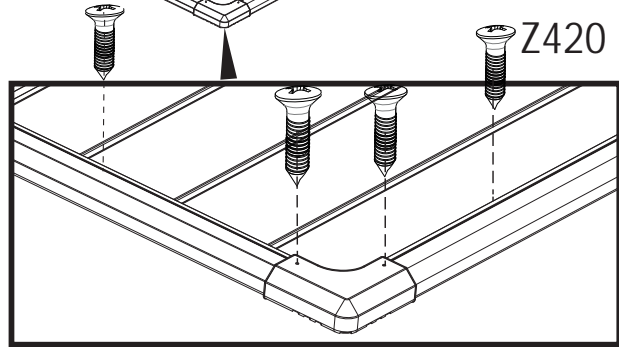
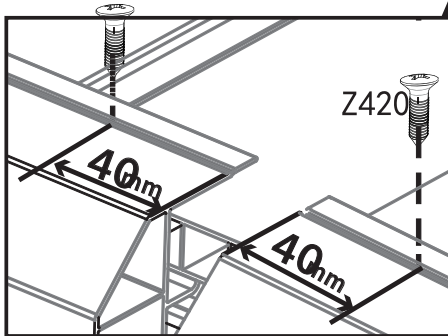
Z420



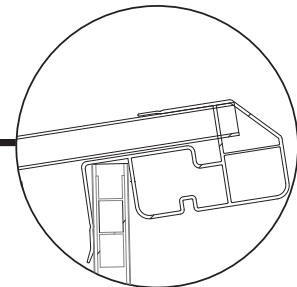
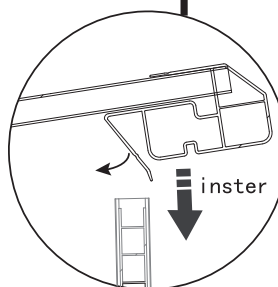
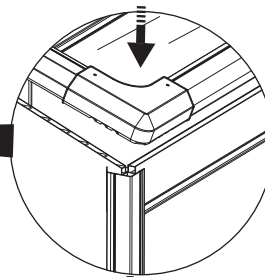
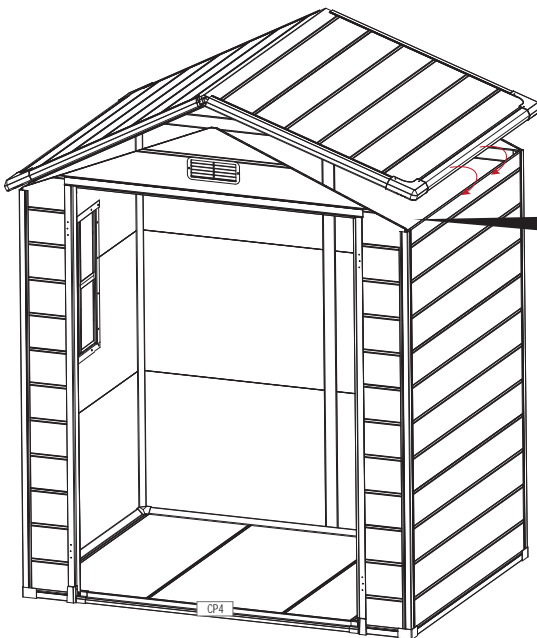
26 PC



● The distance from the profile edge to the first screw is about 40mm.

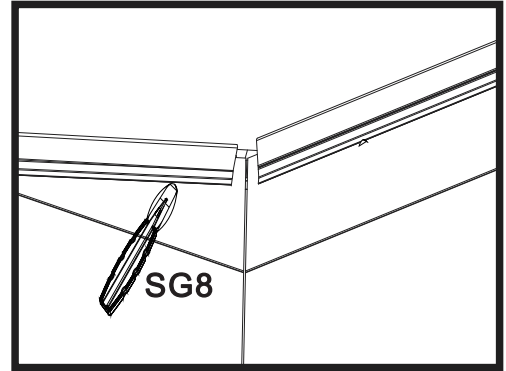
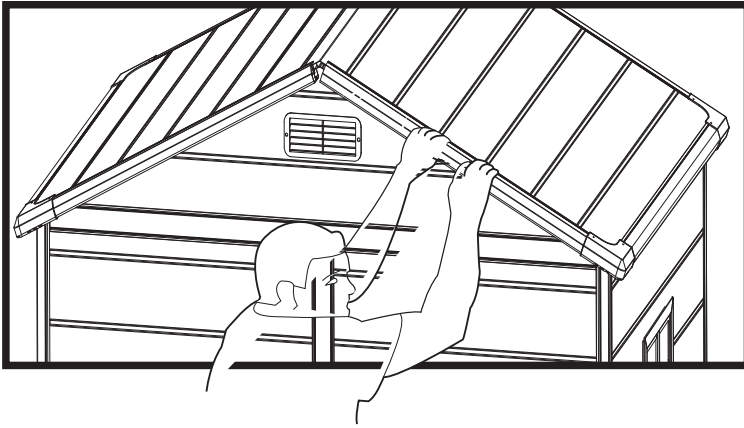


# Step 48

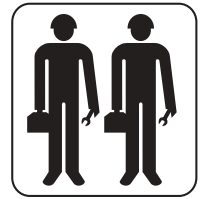
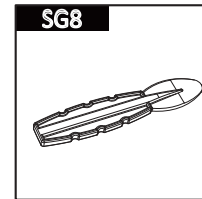


Fully fit the panel inside the profile

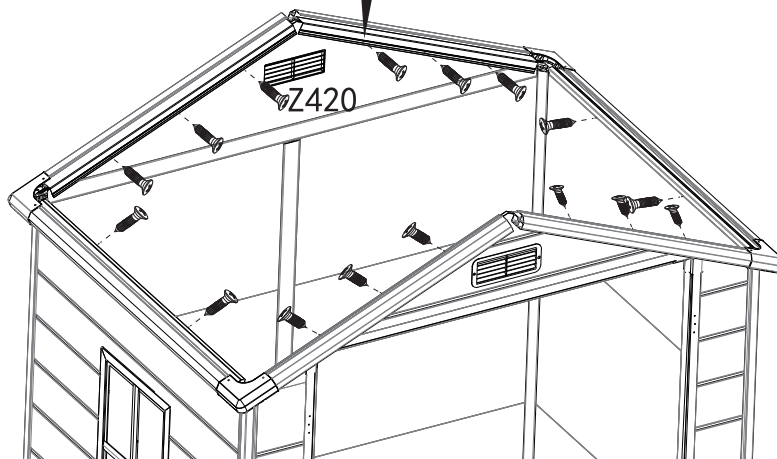
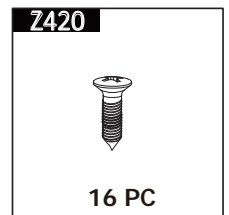
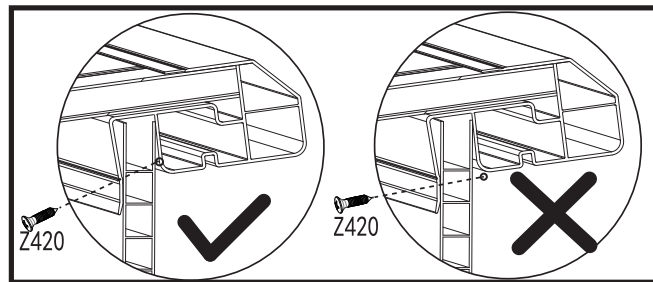
# Step 49



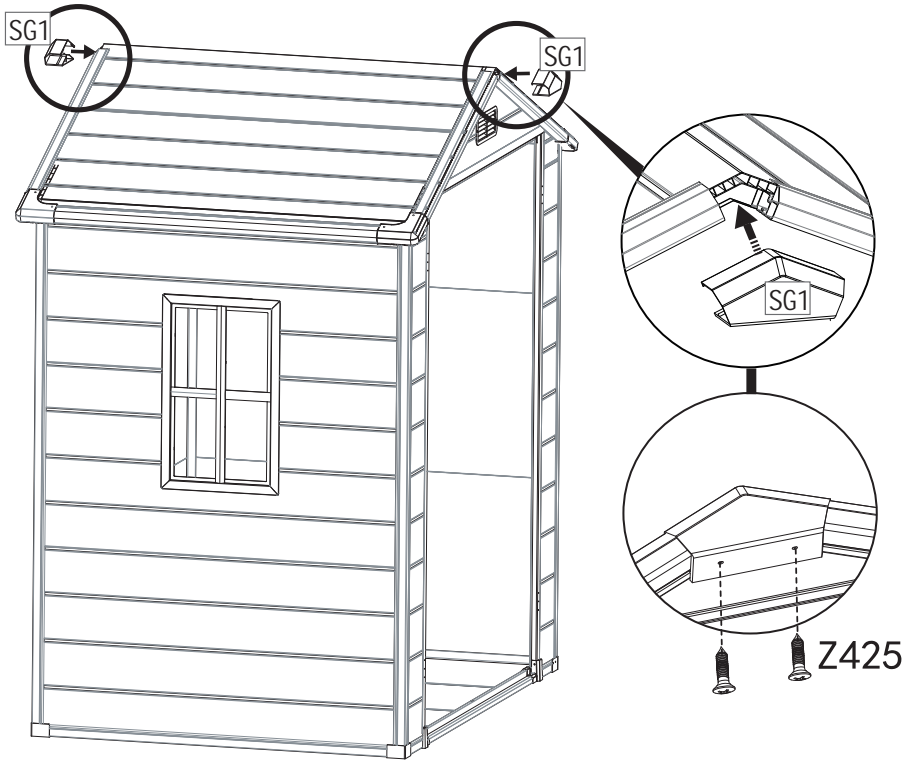
Fully fit the panels inside the profiles of roof

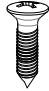
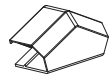


# Step 50



# Step 51

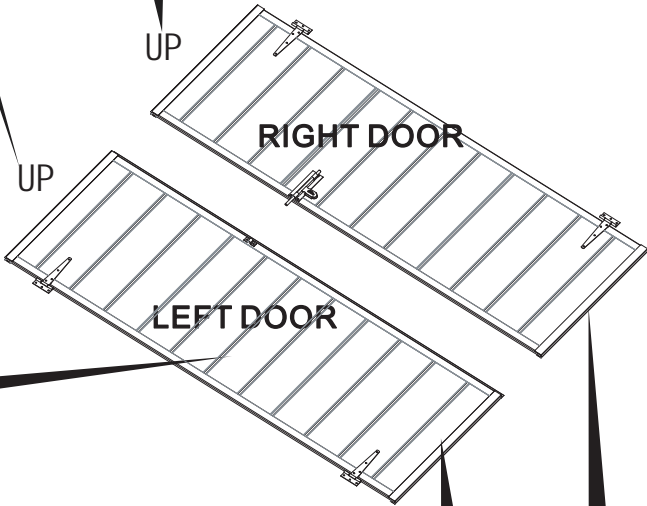


<b>Z425</b>

4 PC
<b>SG1</b>

2 PC

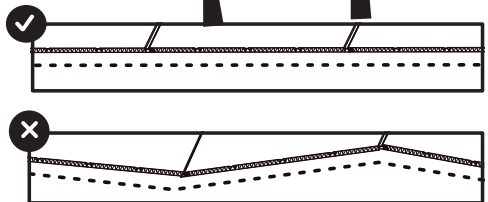
## DOOR SECTION



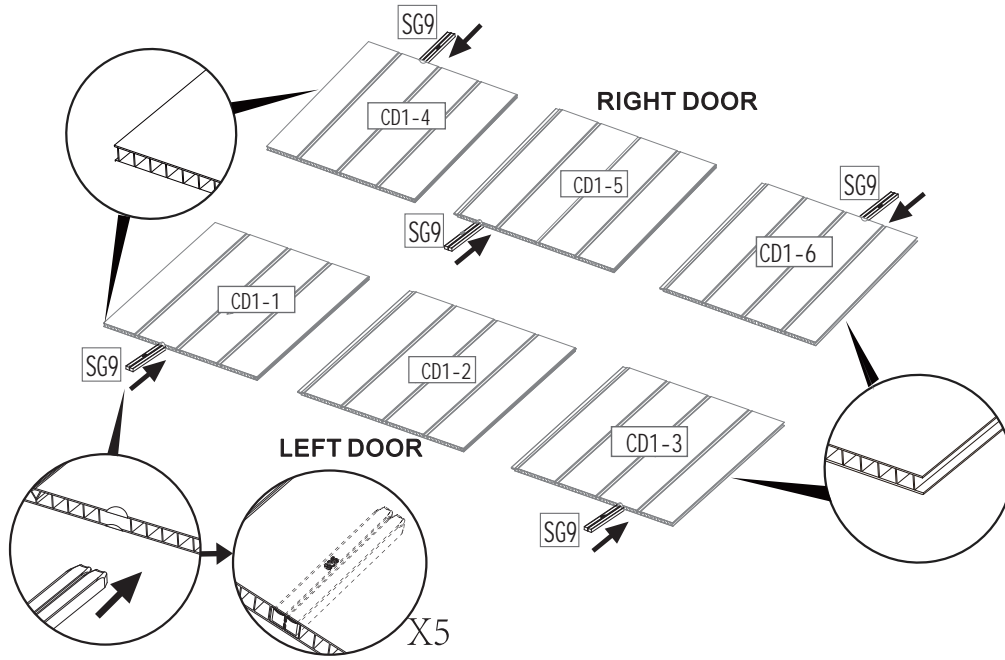
Door mount this is above



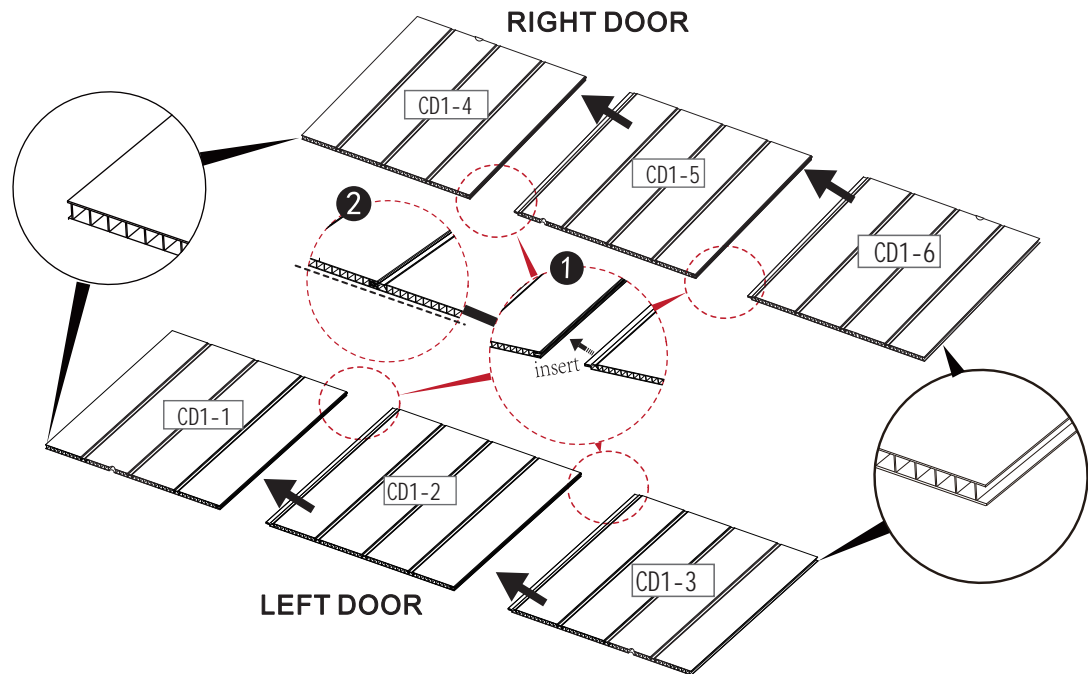
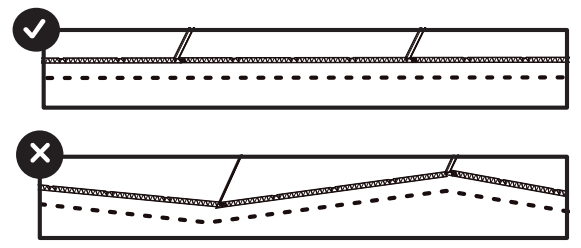
The stripes should be outside



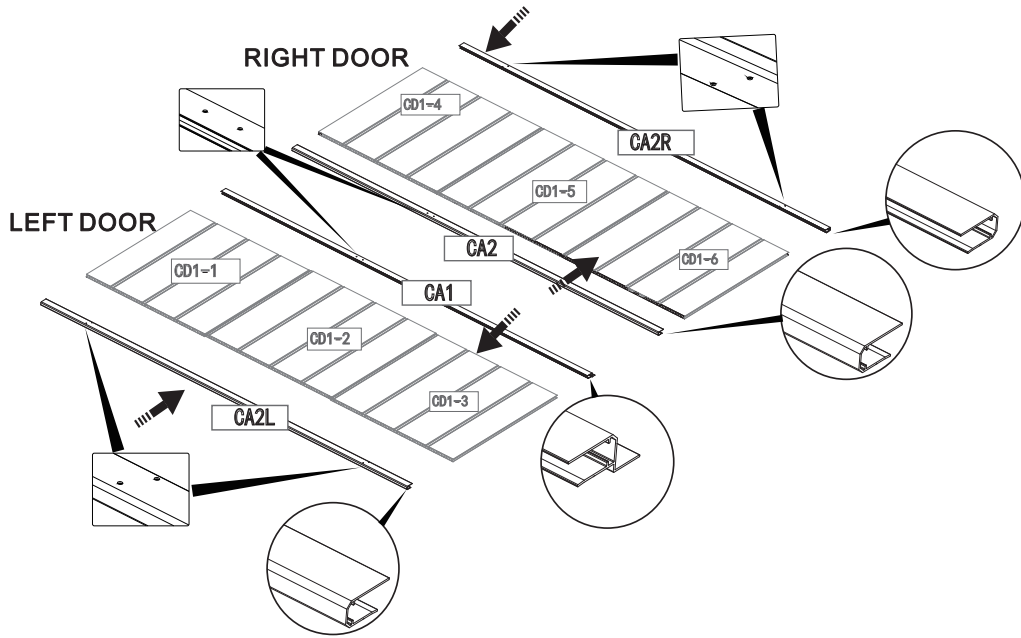
# Step 52



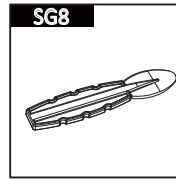
<b>CD1-1</b>  1 PC	<b>CD1-2</b>  1 PC
<b>CD1-4</b>  1 PC	<b>CD1-5</b>  1 PC
<b>CD1-3</b>  1 PC	
<b>CD1-6</b>  1 PC	
<b>SG9</b>  5 PC	



# Step 53

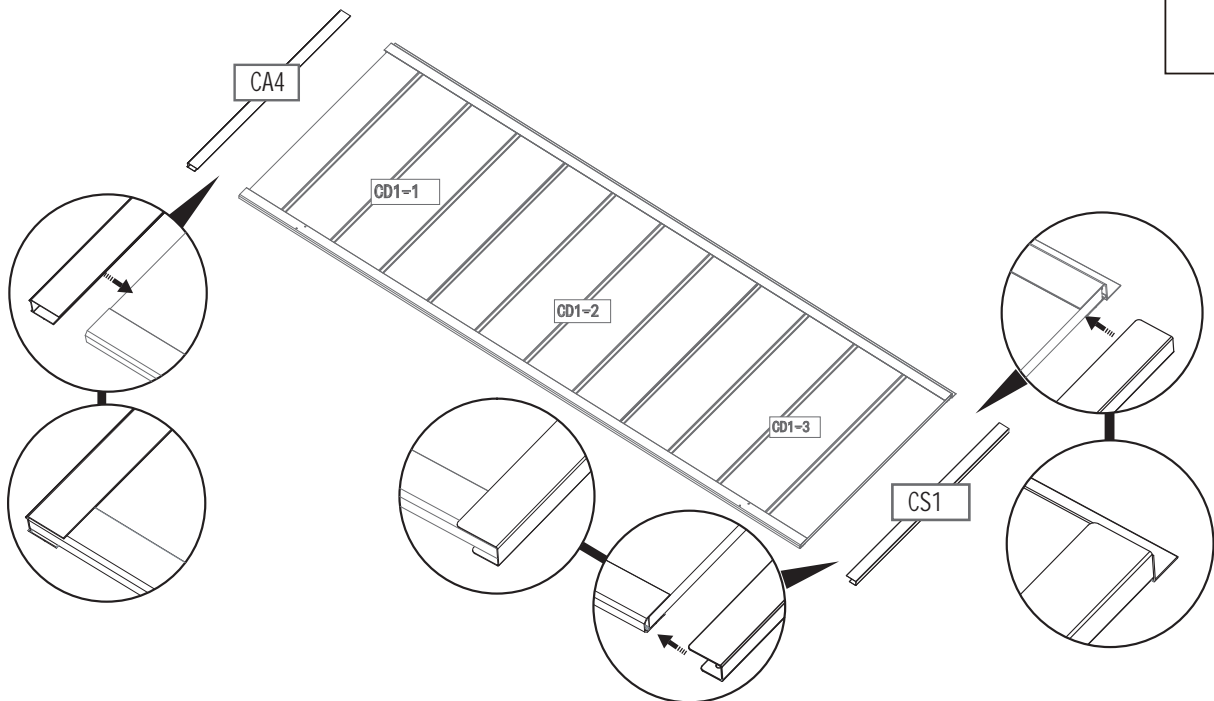


- CA2R**  
1 PC
- CA2**  
1 PC
- CA2L**  
1 PC
- CA1**  
1 PC



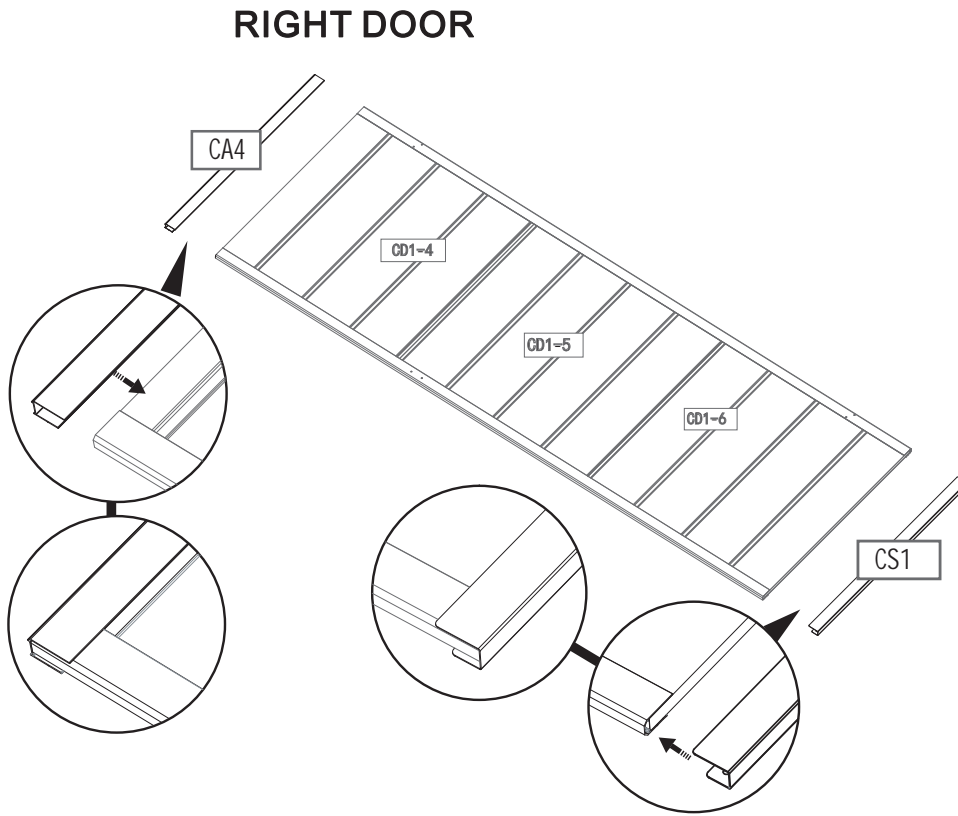
# Step 54

## LEFT DOOR

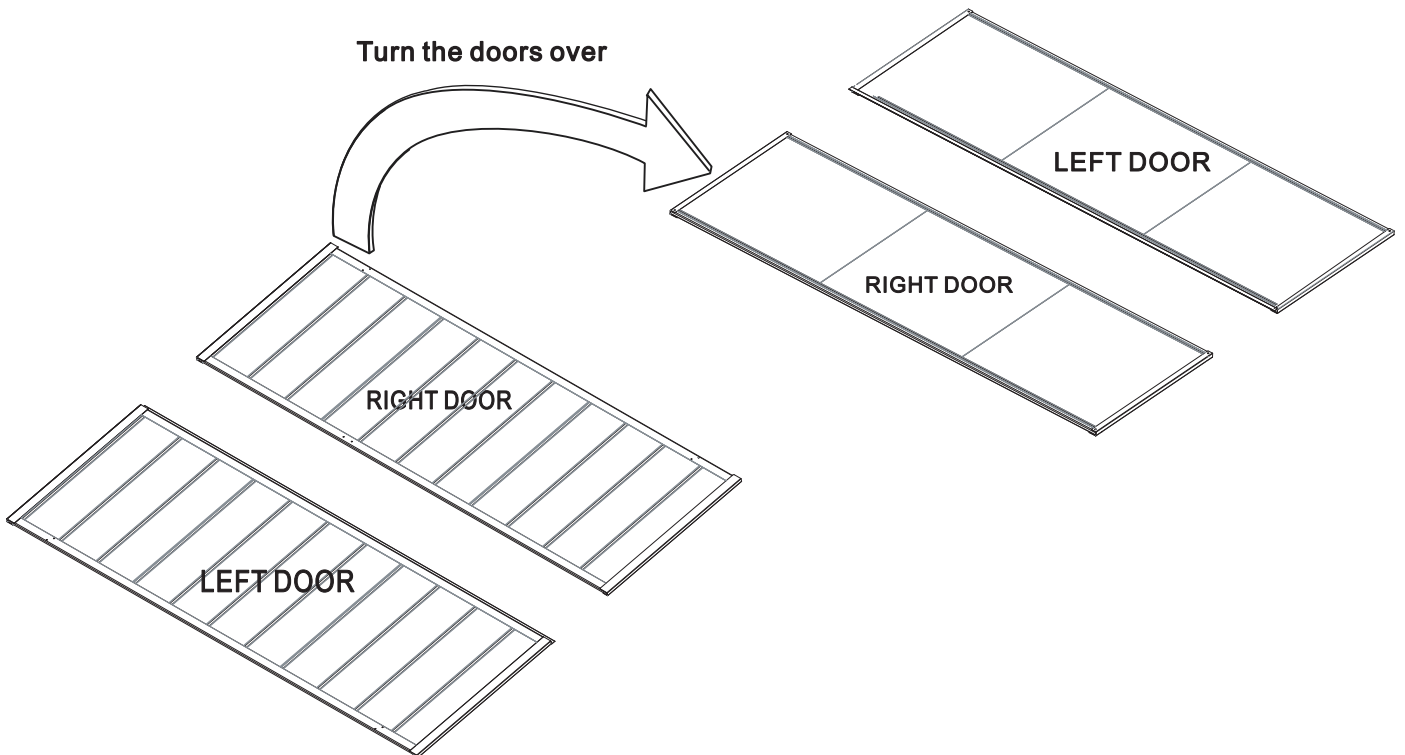


- CA4**  
1 PC
- CS1**  
1 PC

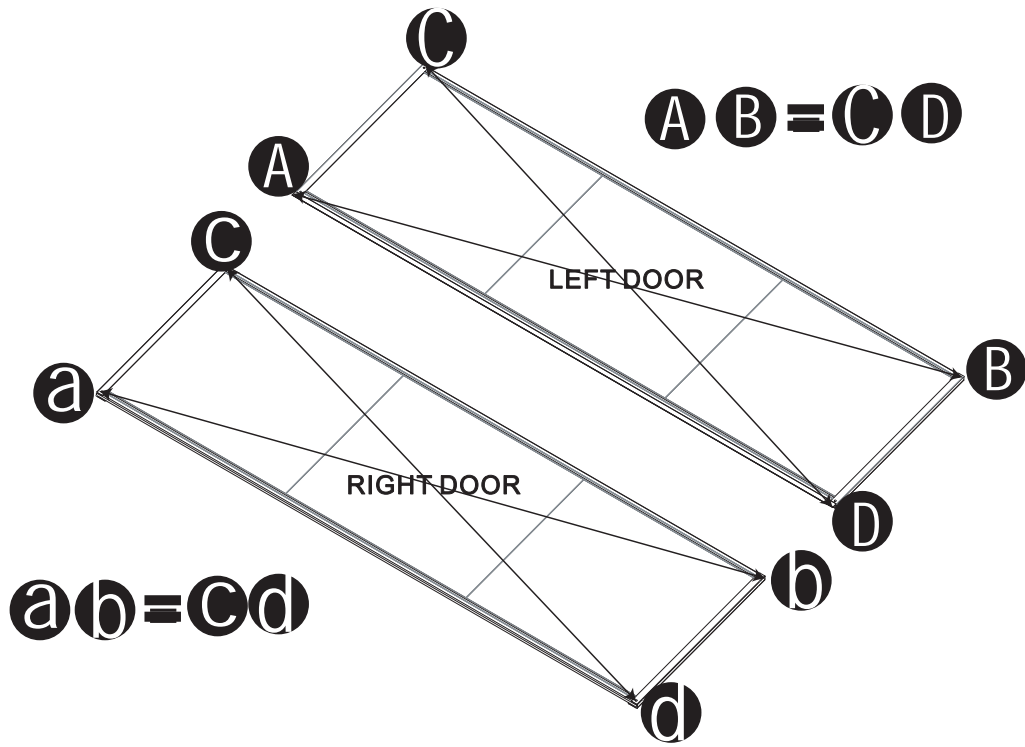
# Step 55



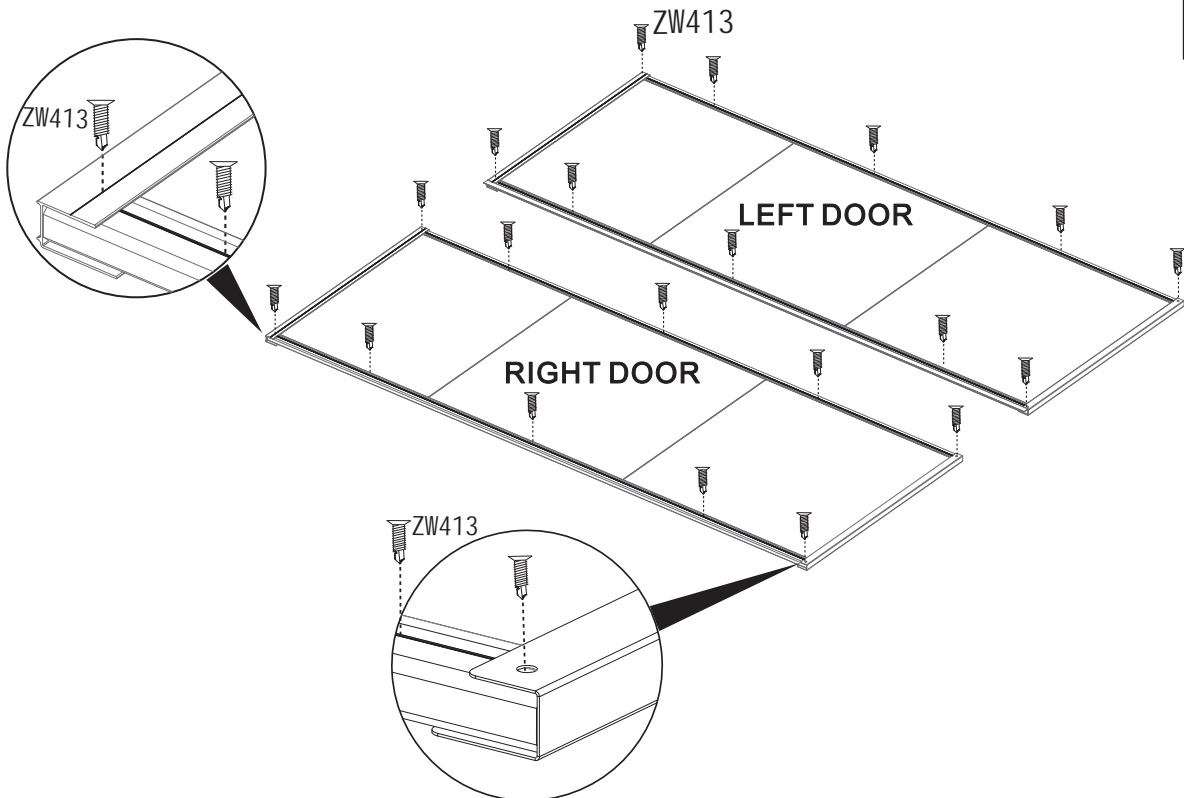
# Step 56




# Step 57



# Step 58

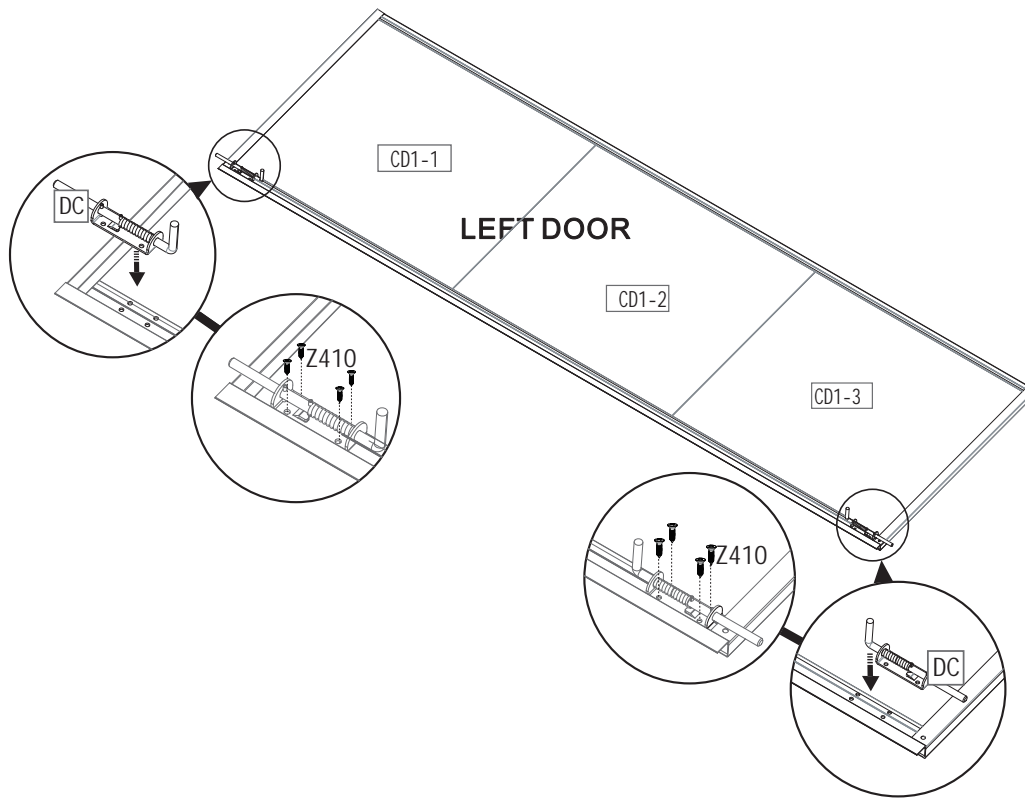


**ZW413**

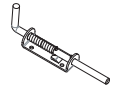


**20PC**

# Step 59



DC



2 PC

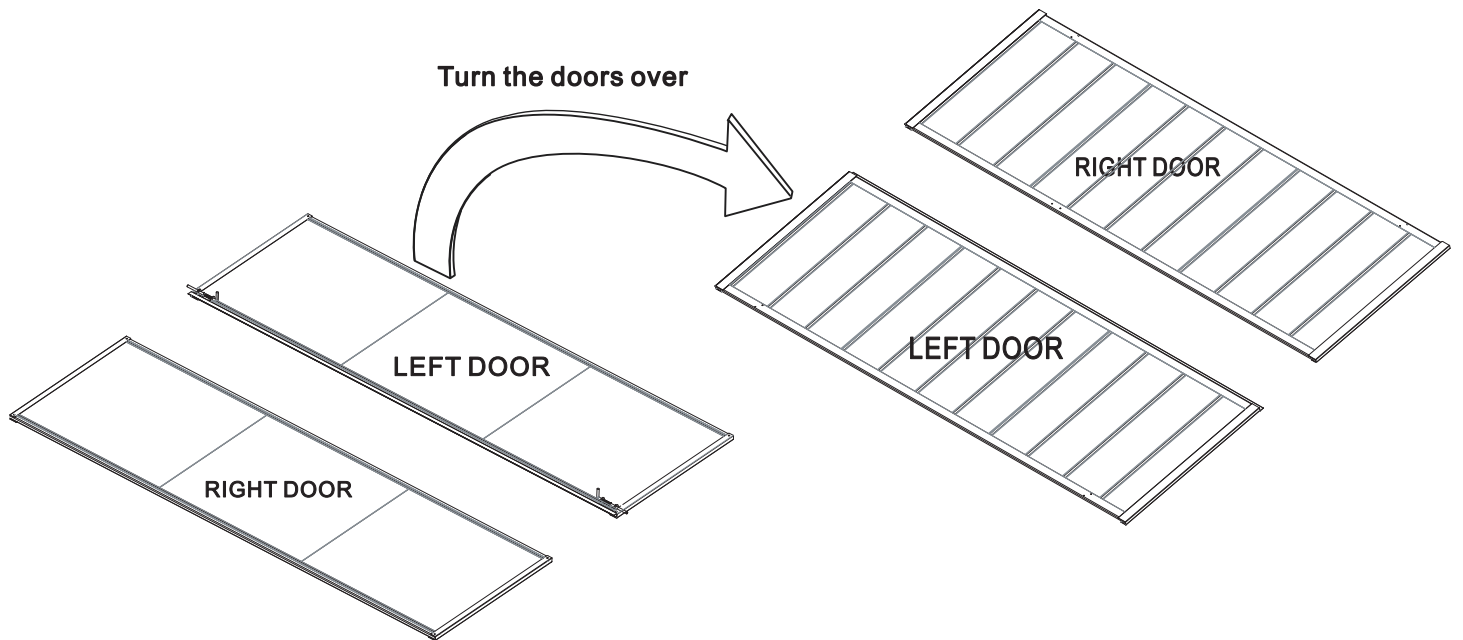
Z410



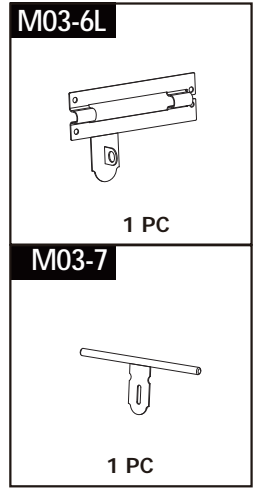
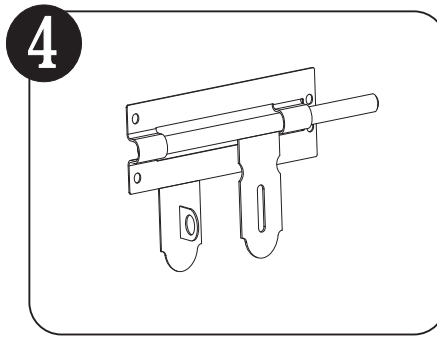
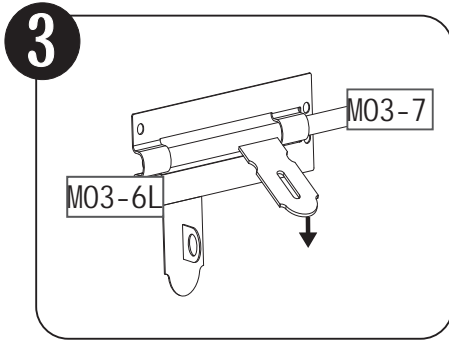
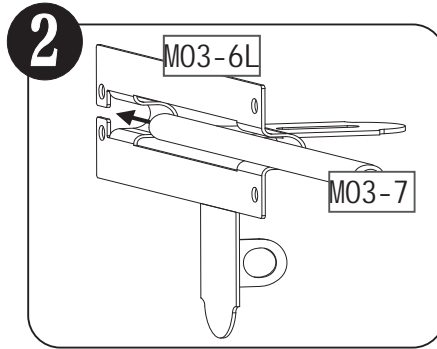
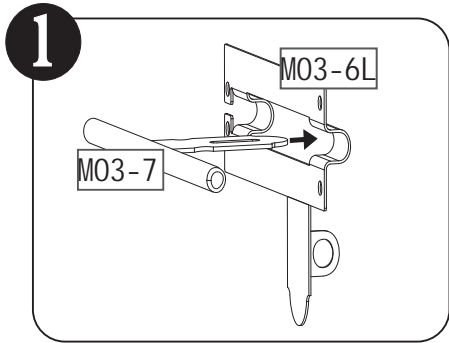
8 PC

# Step 60

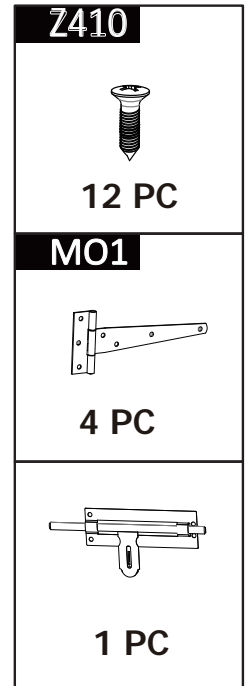
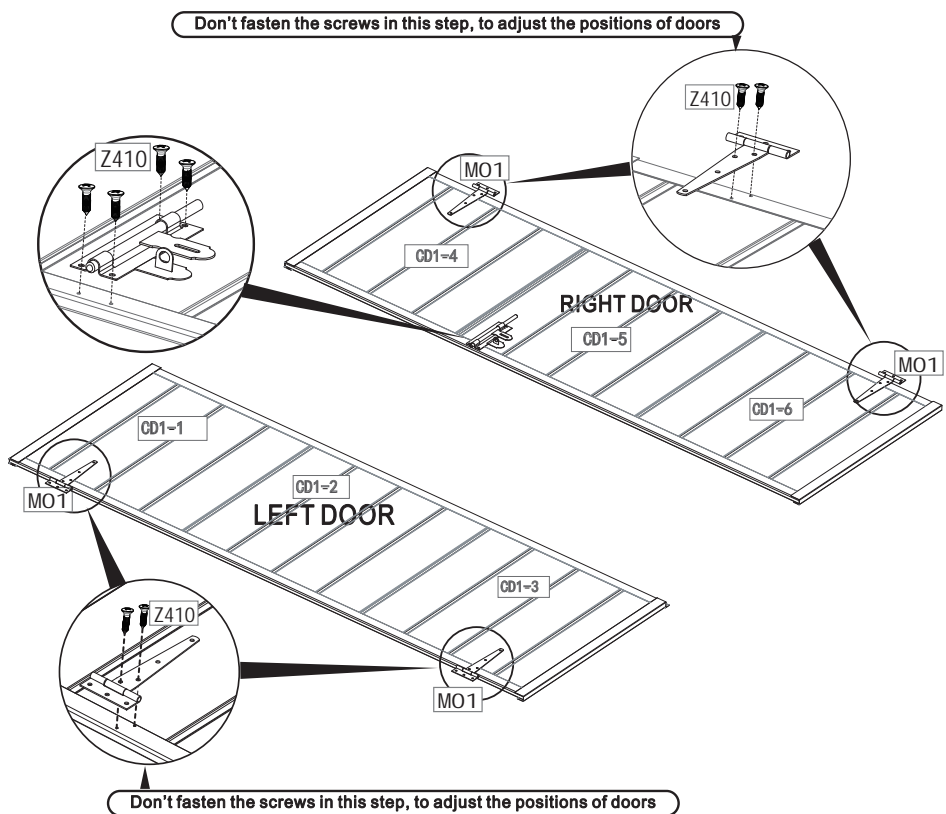
Turn the doors over



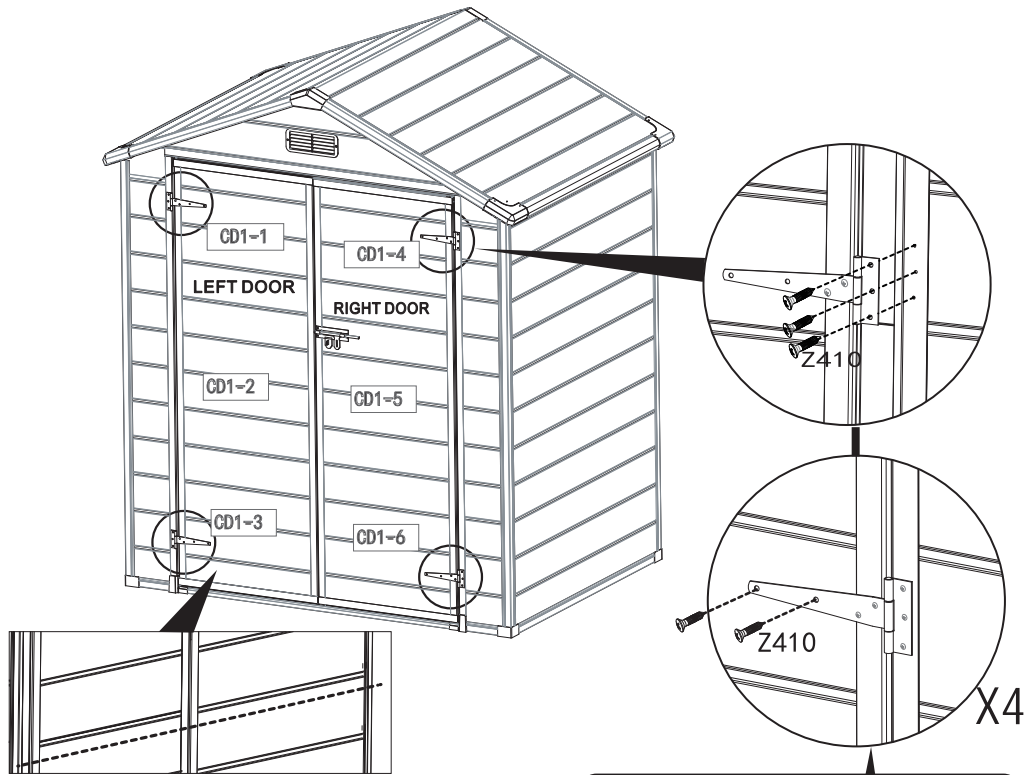
# Step 61




# Step 62



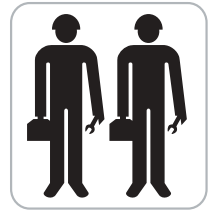
# Step 63



**Z410**



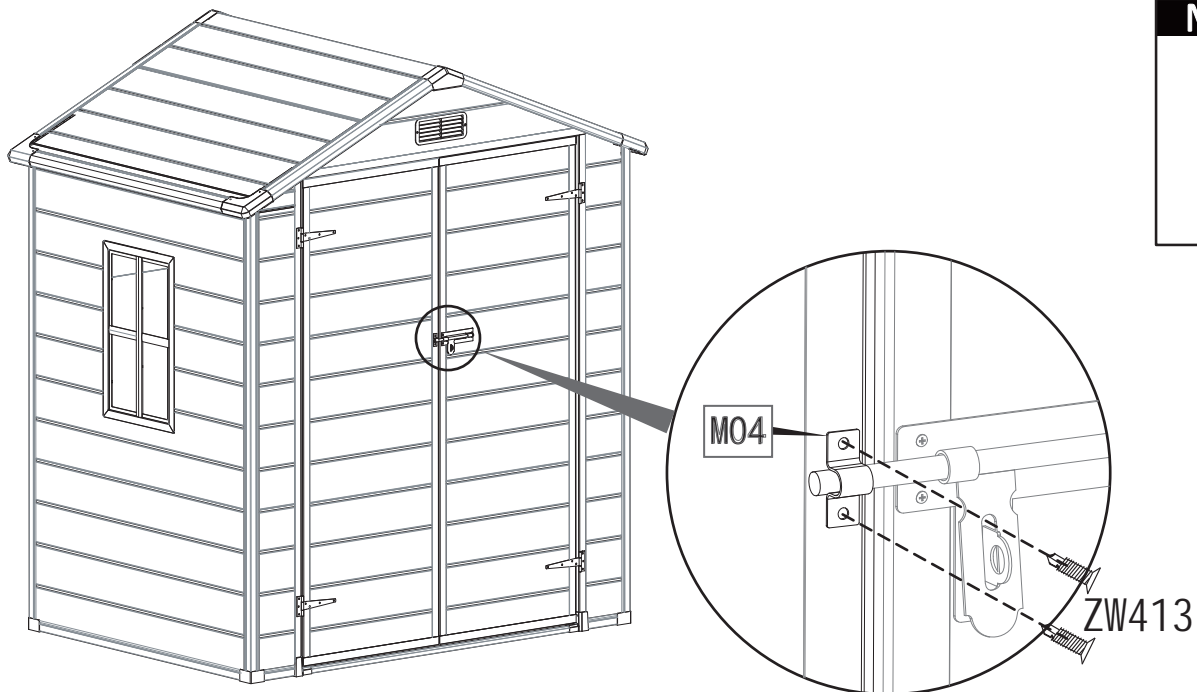
20 PC




The joints of both left and right door should be in line

Nail the door after place adjustment and fasten all the screws.

# Step 64



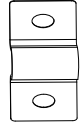
**ZW413**



2 PC

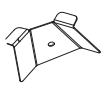



---

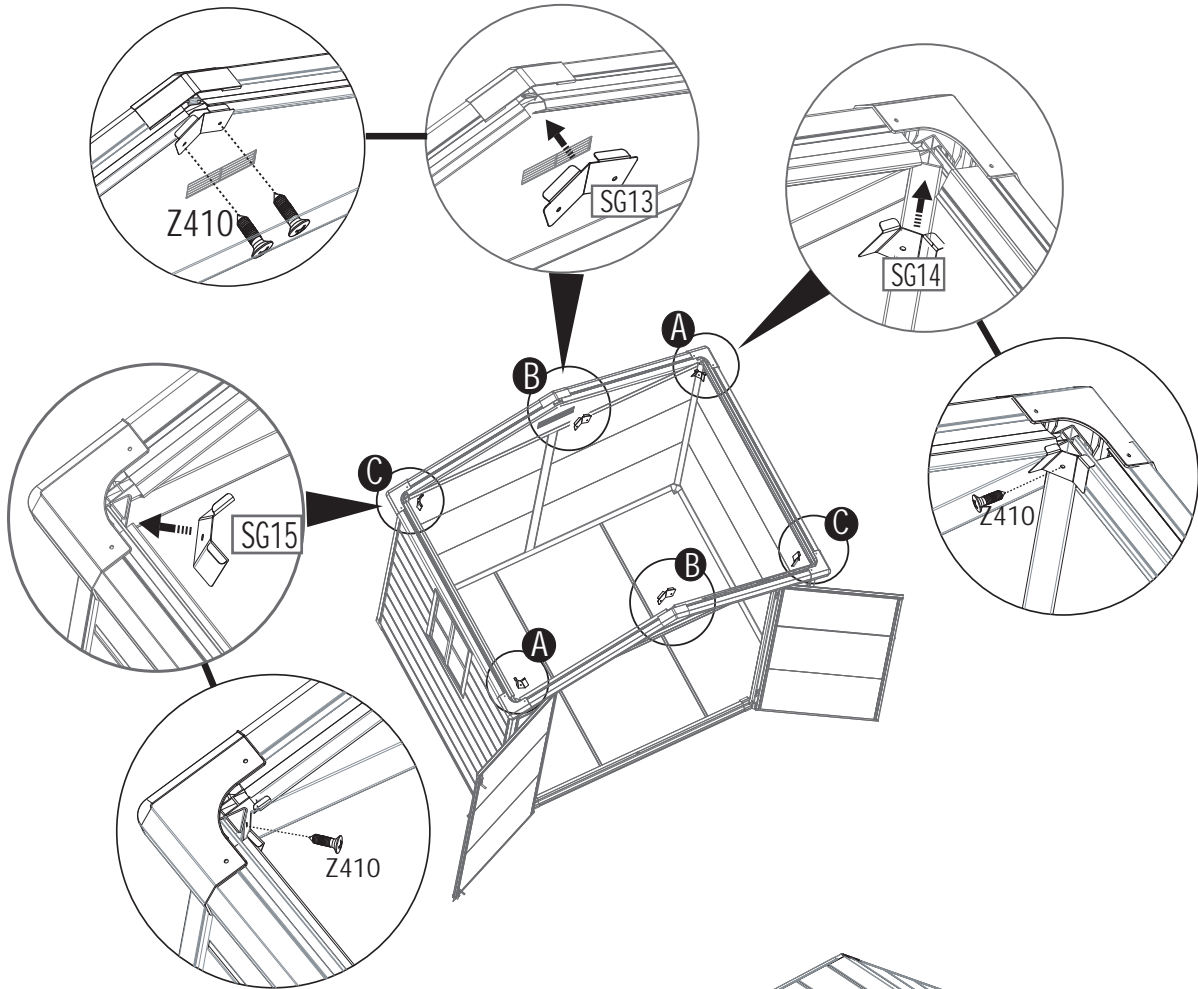
**M04**



1 PC

# Step 65

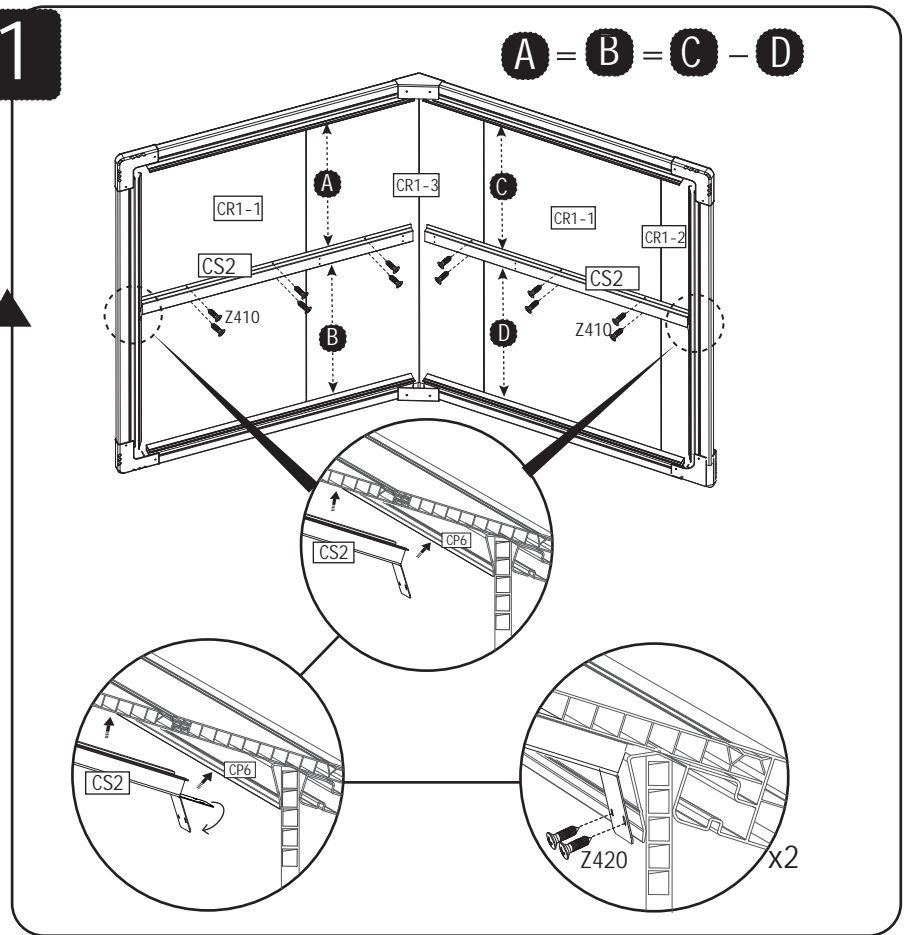
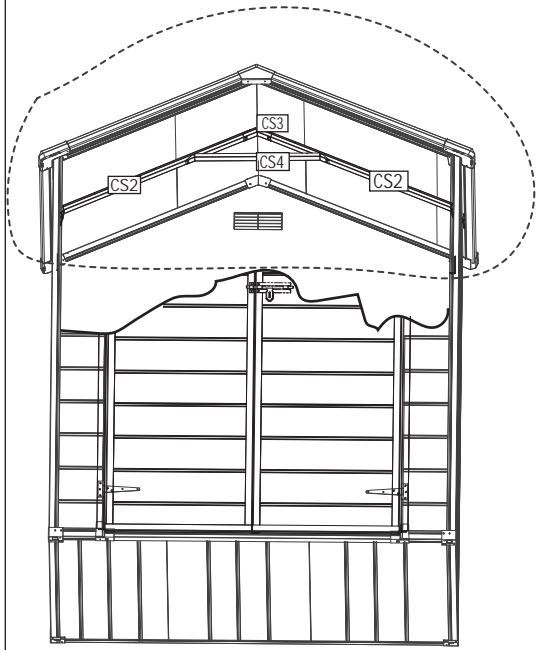
SG14	SG13	SG15	Z410
			
2 PC	2 PC	2 PC	8 PC



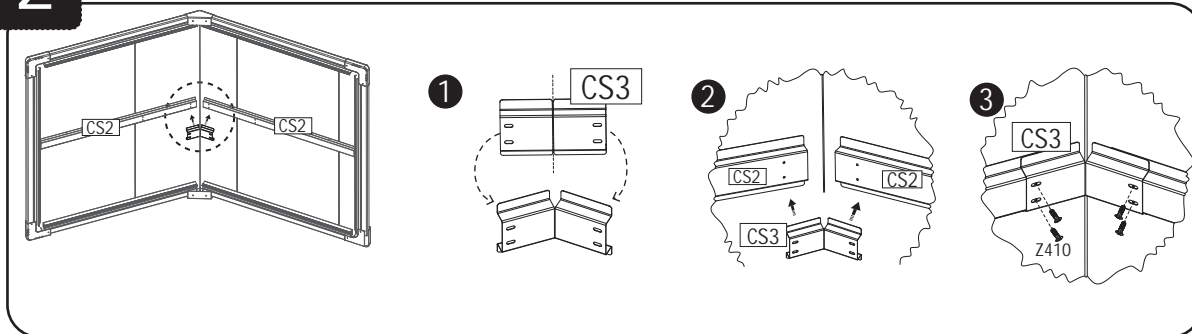
# Step 66

1

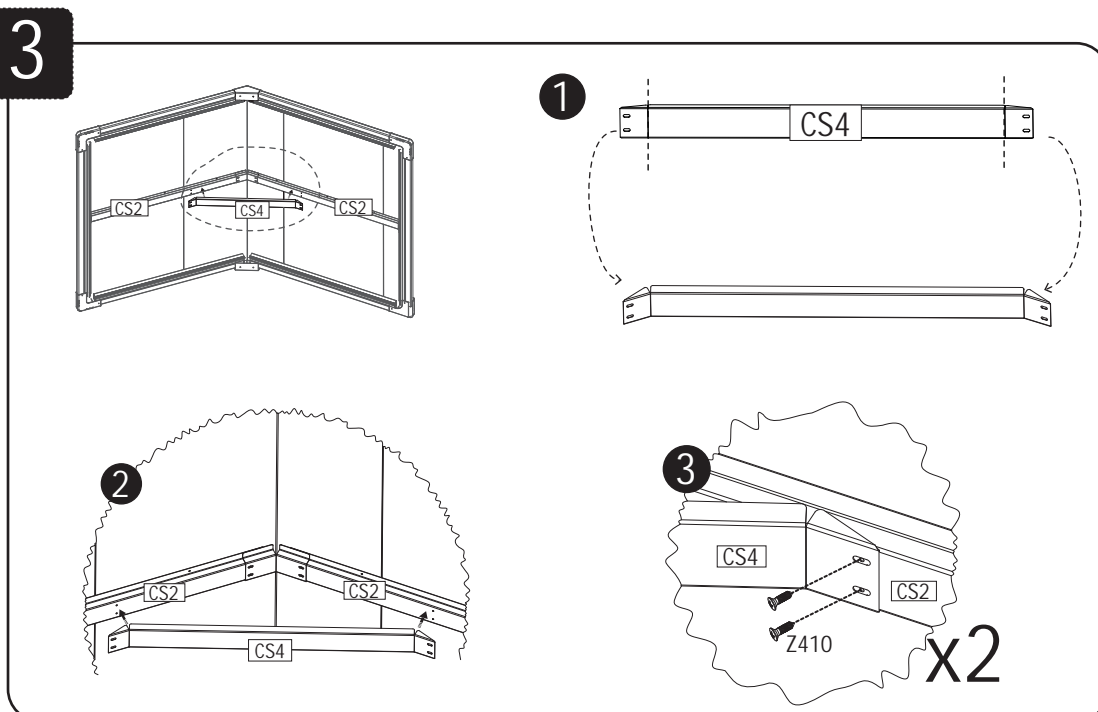
A = B = C = D



2



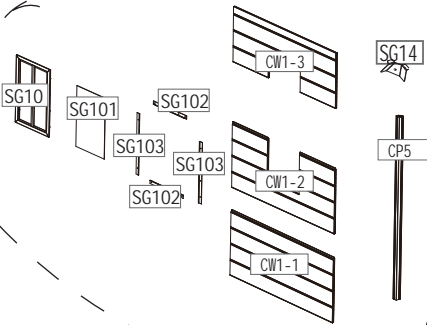
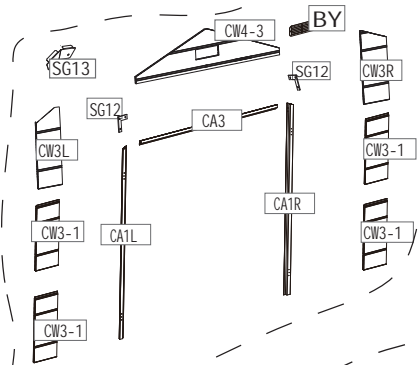
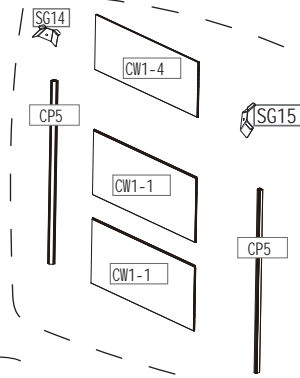
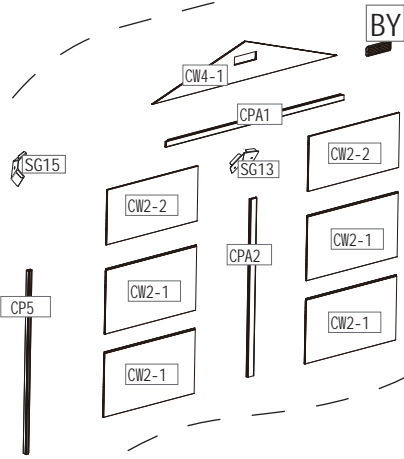
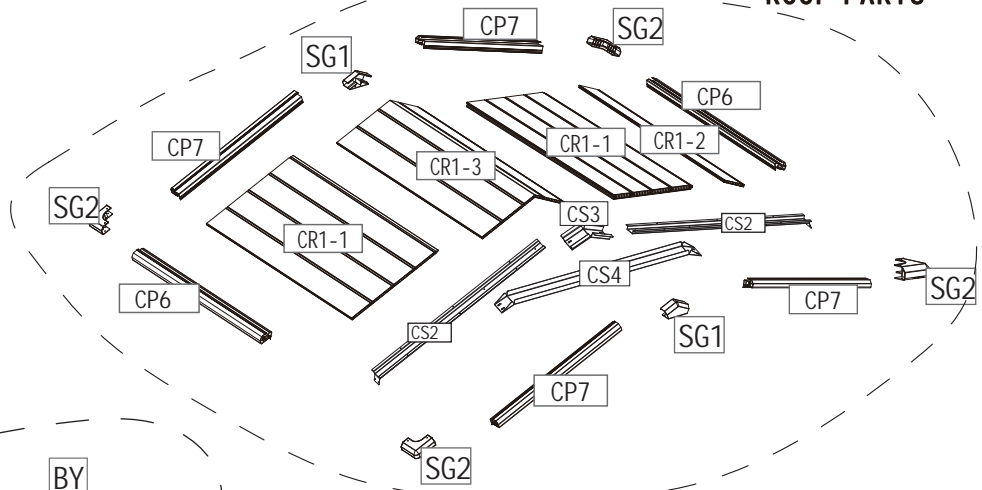
3



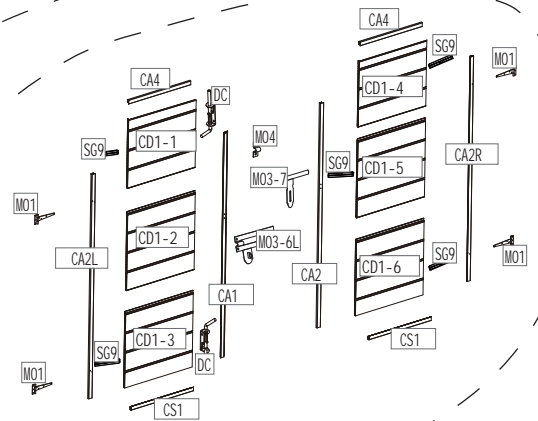
<b>CS2</b>		2 PC
<b>CS3</b>		1 PC
<b>CS4</b>		1 PC
<b>Z410</b>		20 PC
<b>Z420</b>		4 PC

# PARTS SCHEMATIC

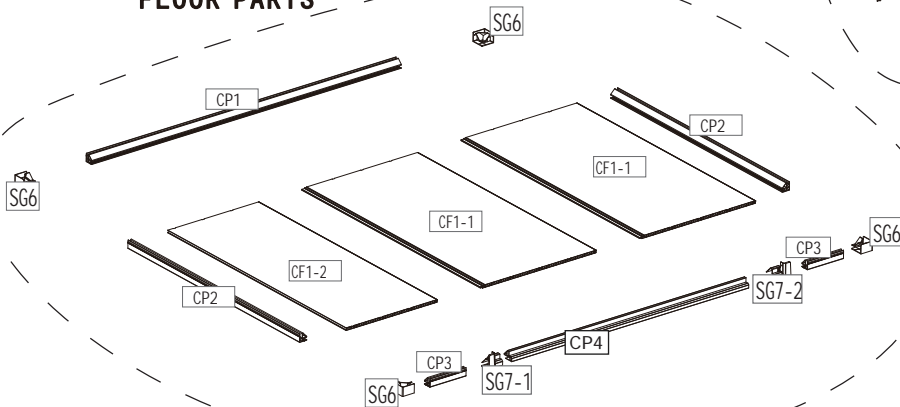
## ROOF PARTS



## DOOR PARTS



## FLOOR PARTS





是非成