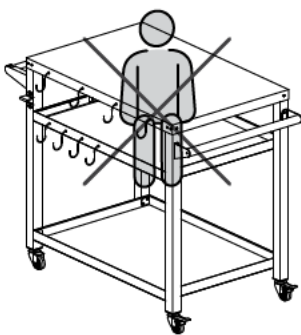
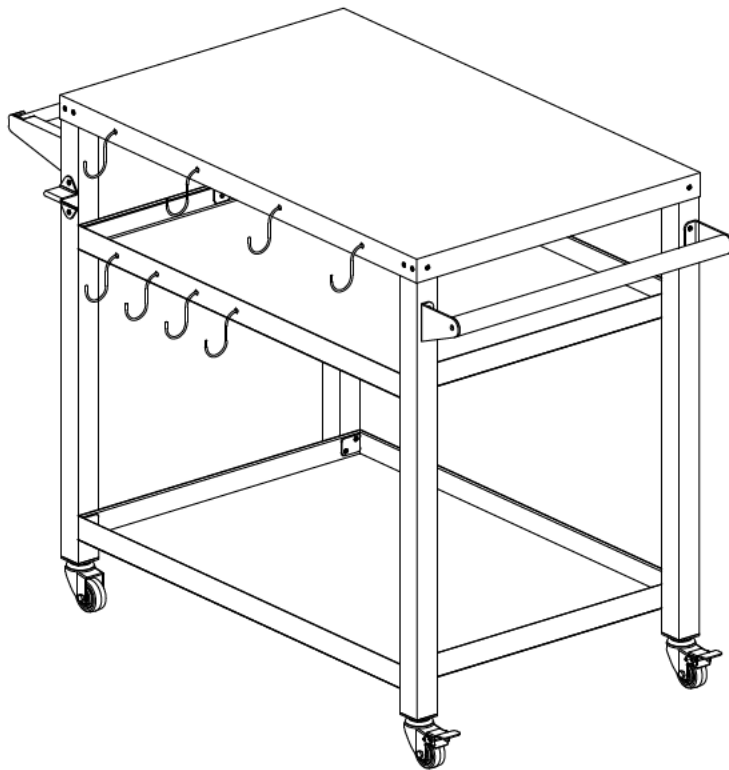


ASSEMBLY MANUAL



66Lb



66Lb

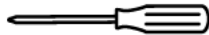


66Lb



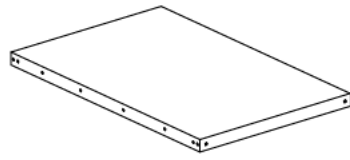
BEFORE STARTING ASSEMBLY

- ① Some parts have metal edges. Please be careful when handling components. Always wear work gloves.
- ② Please check all parts and components to ensure that there are no damages or missing items BEFORE starting the construction of the product.
- ③ Please do not fully tighten the bolts prior to complete assembly.
- ④ Retain for future reference. Read carefully. For domestic use.



Please check all parts and components to ensure that there are no damages or missing items BEFORE starting the assembly of the product.

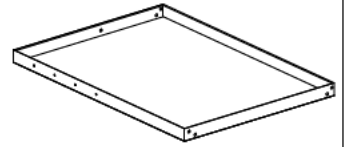
If you find any missing parts, Please contact Domi customer service at any time, and we will reply within 24 hours.



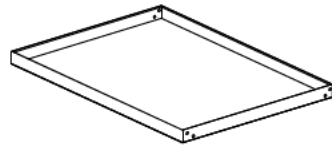
① 1 X



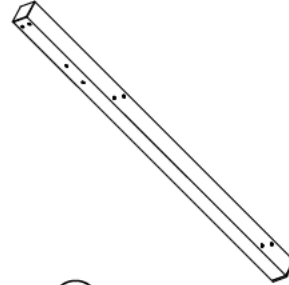
② 1 X



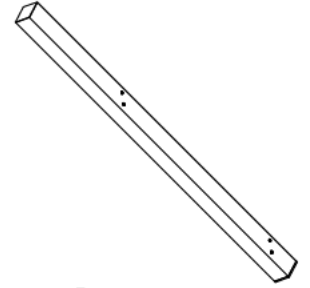
③ 1 X



④ 1 X



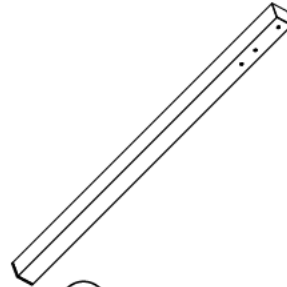
⑤ 1 X



⑥ 1 X



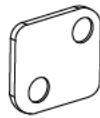
⑦ 1 X



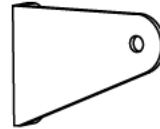
⑧ 1 X



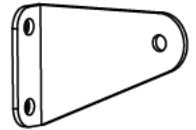
⑨ 1 X



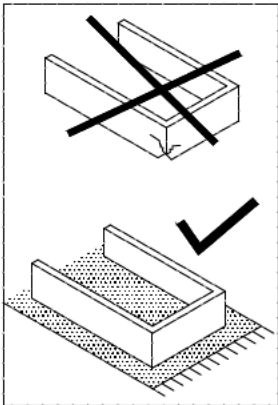
⑩ 6 X



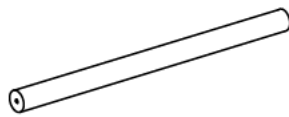
⑪ 1 X



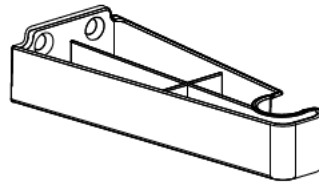
⑫ 1 X



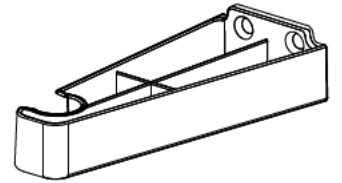
1



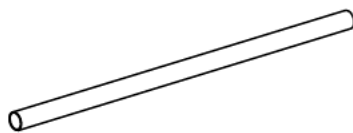
⑬ 1 X



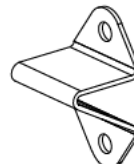
⑭ 1 X



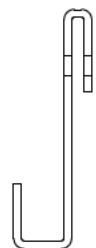
⑮ 1 X



⑯ 1 X



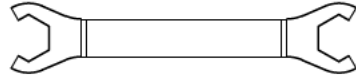
⑰ 1 X



⑱ 1 X

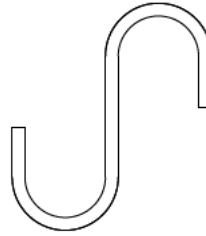
Please check all parts and components to ensure that there are no damages or missing items BEFORE starting the assembly of the product.

If you find any missing parts, Please contact Domi customer service at any time, and we will reply within 24 hours.

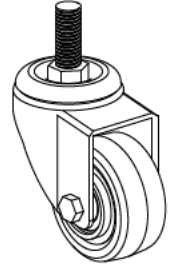


M10

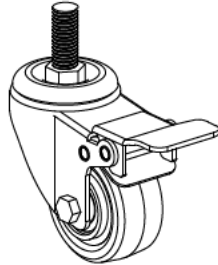
①9 1 X



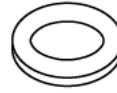
②0 8 X



②1 2 X



②2 2 X



D6

②3 42 X



M6X12

②4 36 X



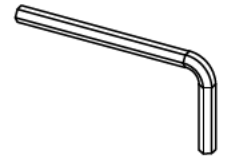
M6X18

②5 5 X

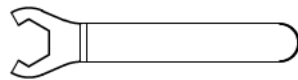


M6

②6 1 X

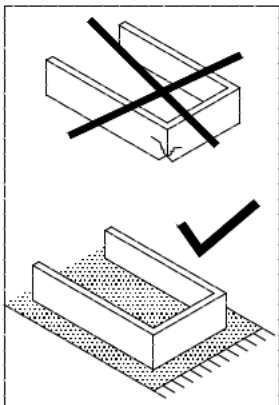


②7 1 X

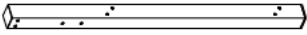
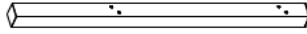

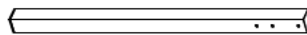
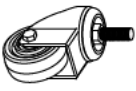

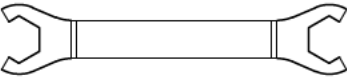


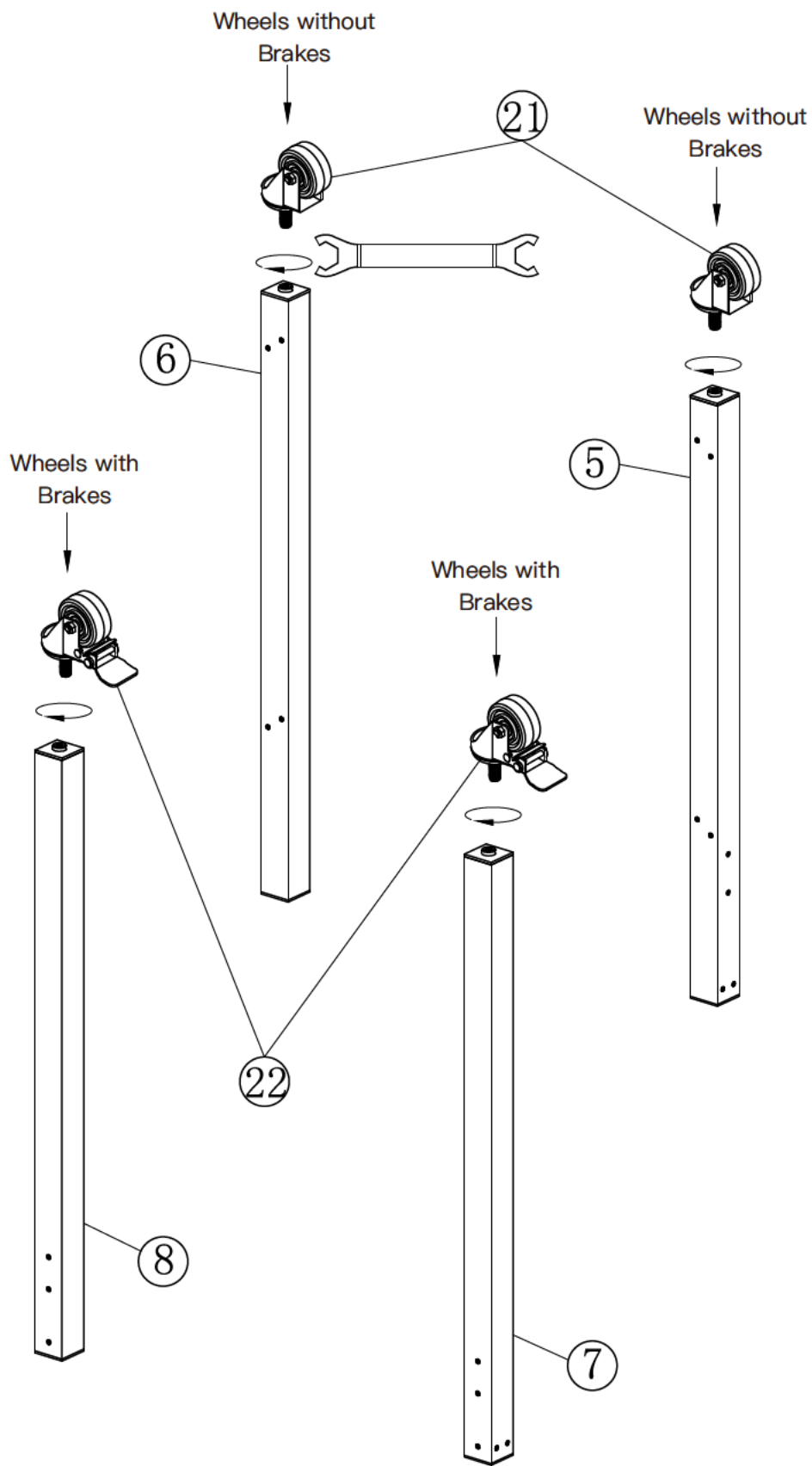
M6

②8 1 X



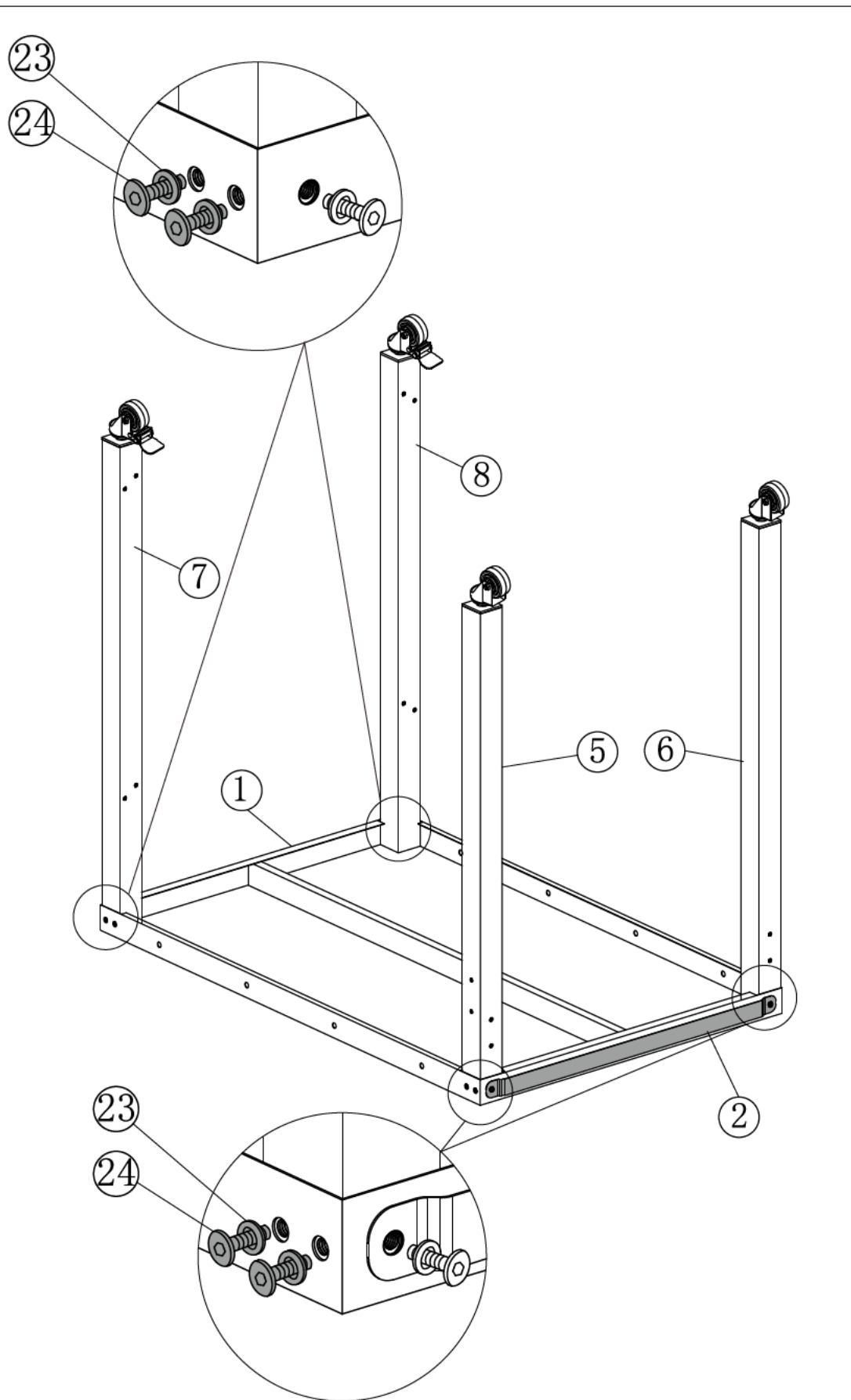
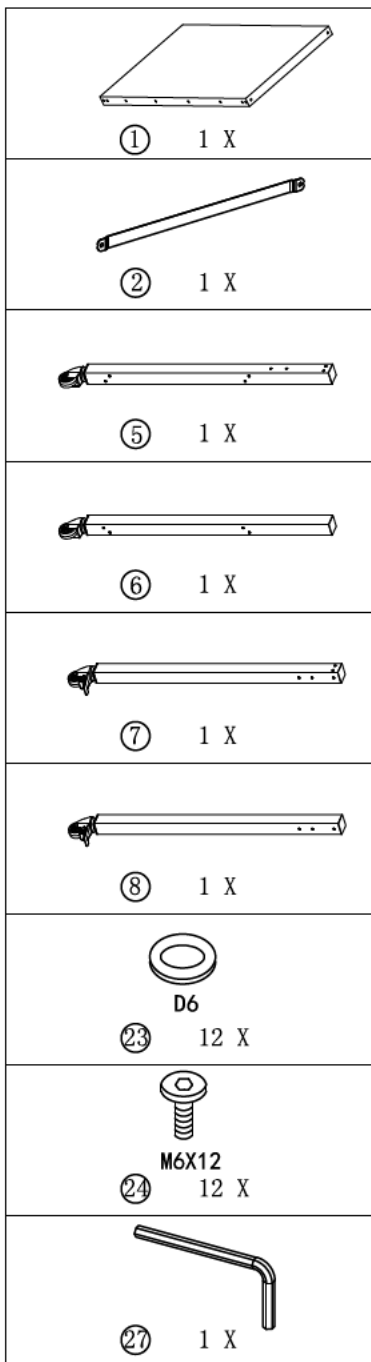
2


⑤ 1 X

⑥ 1 X

⑦ 1 X

⑧ 1 X
 Wheels without Brakes
②① 2 X
 Wheels with Brakes
②② 2 X

①⑨ 1 X

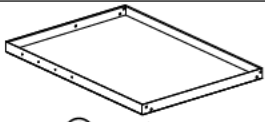


3

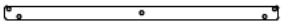
Please distinguish between the two wheels and install them on the corresponding legs.



Use screws #24 to attach part #2 to part #1 as shown.
 Pay attention to the installation place of Part #2.
 (On the same side as the wheel without brakes)



③ 1 X



⑨ 1 X



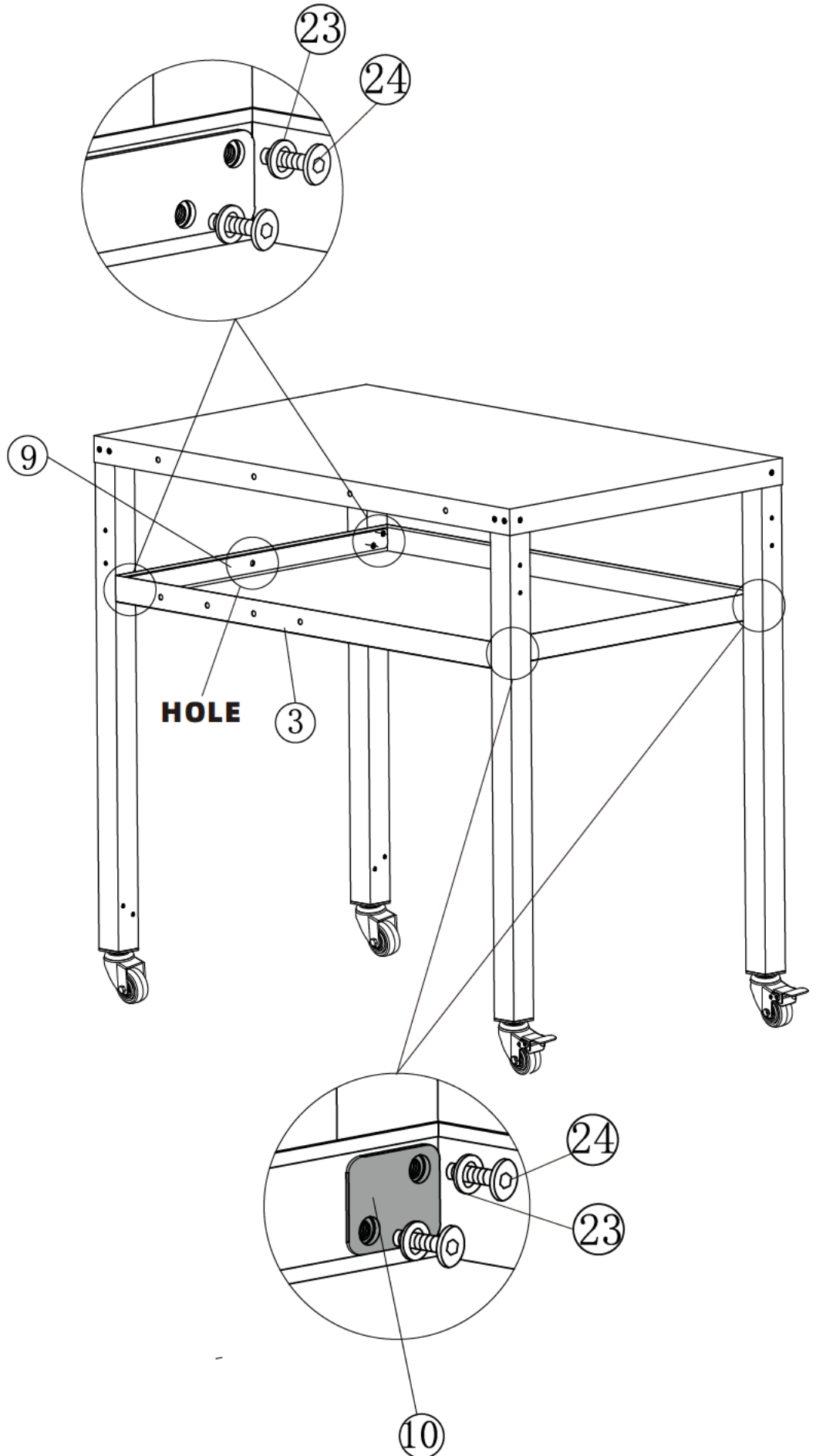
⑩ 2 X



D6
⑳ 8 X

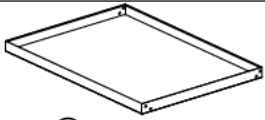


M6X12
㉔ 8 X



5

Pay attention to the installation direction of the baffle.



④ 1 X



⑩ 4 X



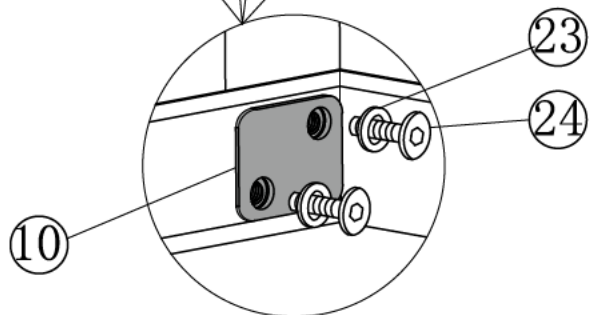
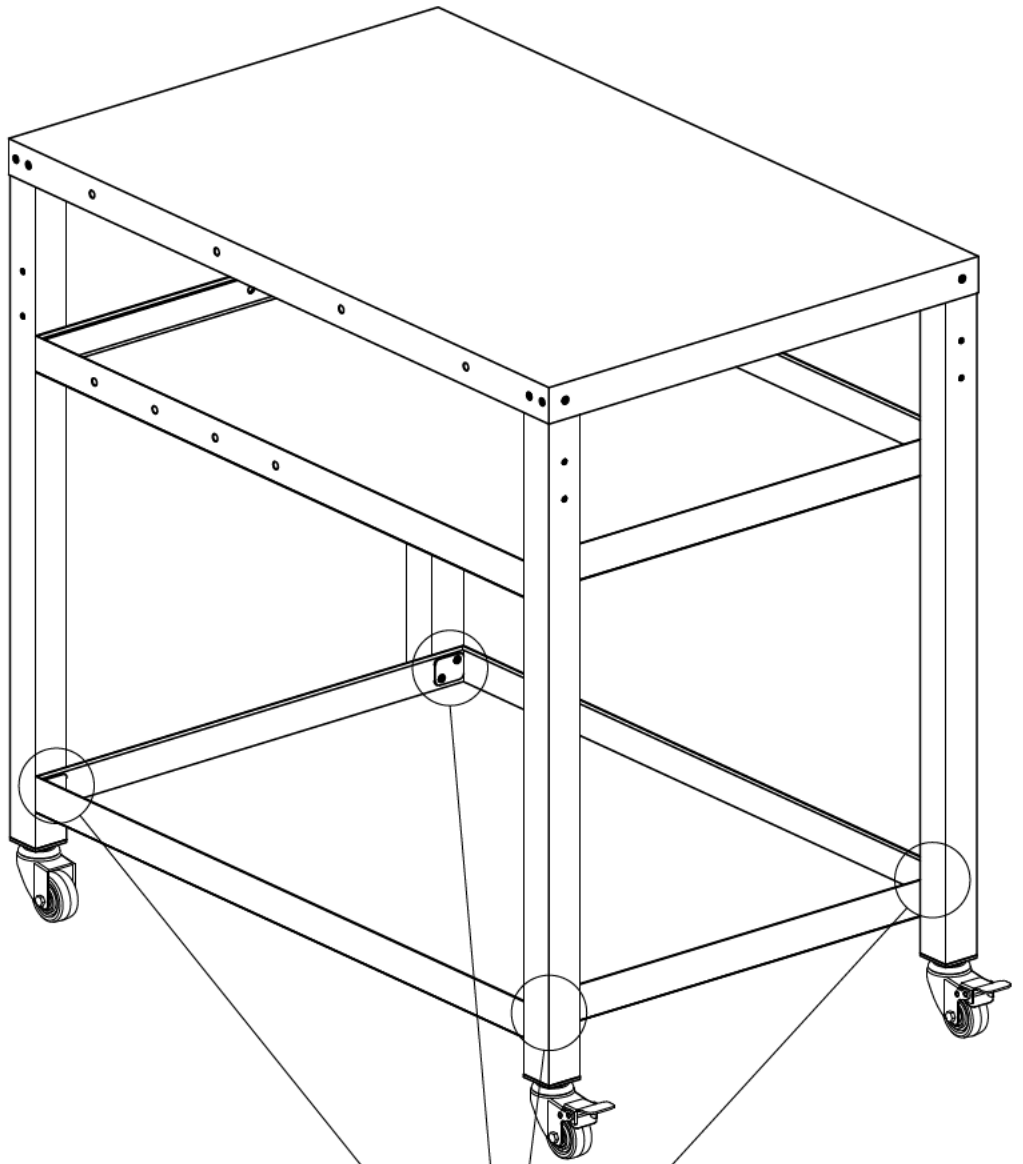
D6

⑳ 8 X



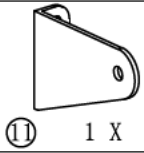
M6X12
⑳ 8 X

Assemble screws with gaskets #23 and nuts #24.
Then screw the parts #4 and #10 to the legs.

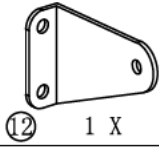


6

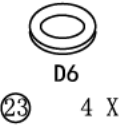
Repeat this procedure for the other 3 legs.



11 1 X



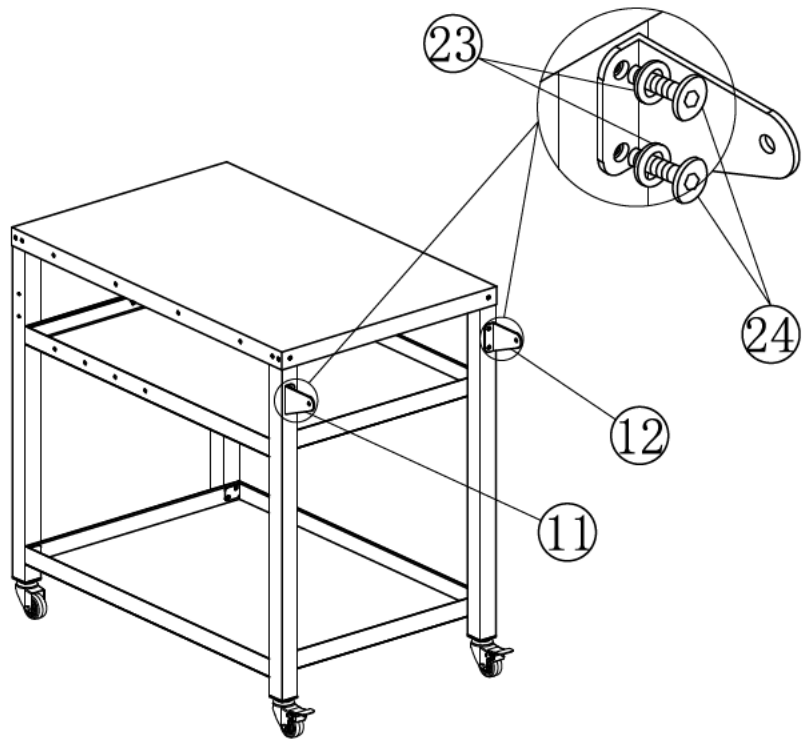
12 1 X



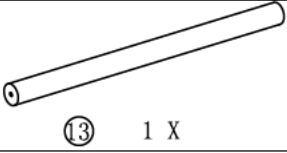
D6
23 4 X



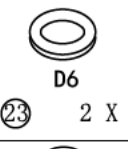
M6X12
24 4 X



Pay attention to the installation direction of Part #11 and Part #12. (On the same side as the wheel with brakes)



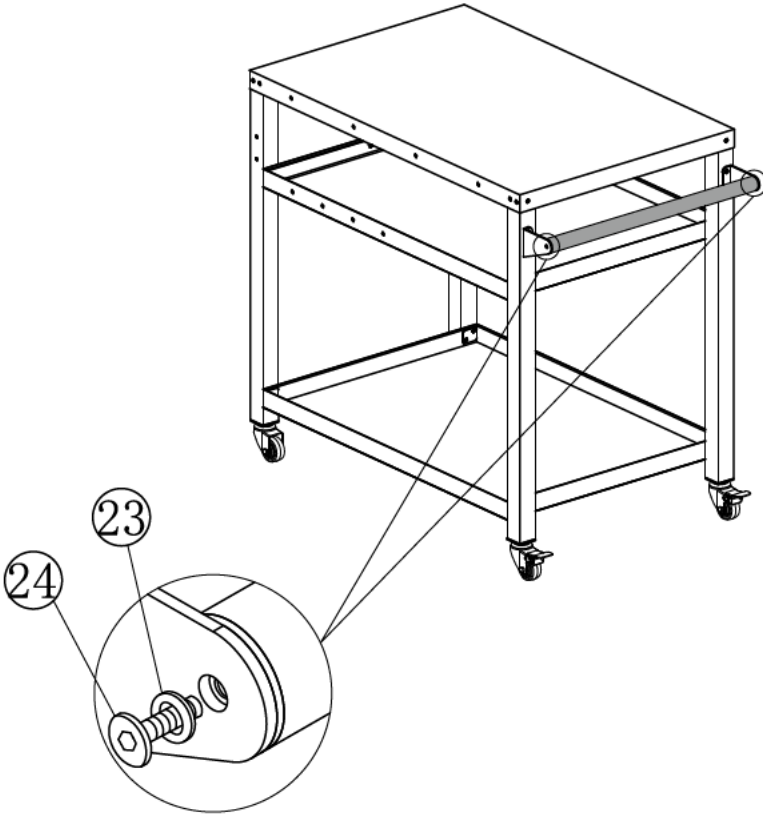
13 1 X

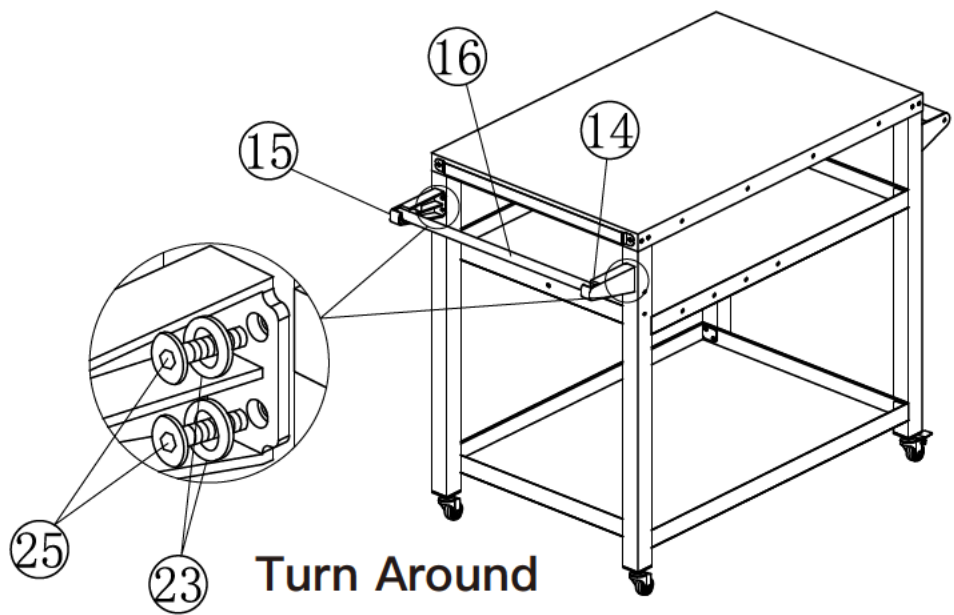
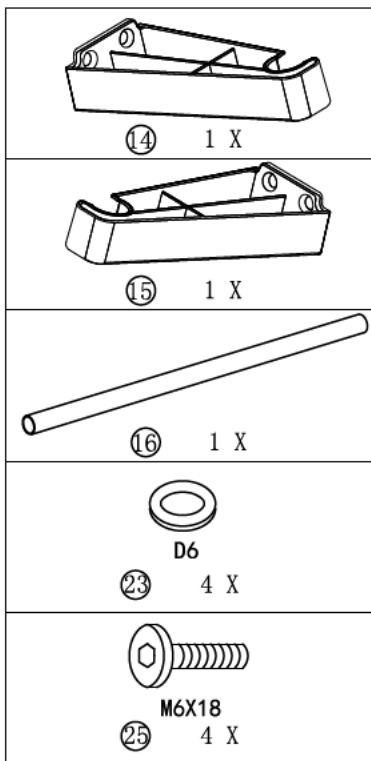


D6
23 2 X

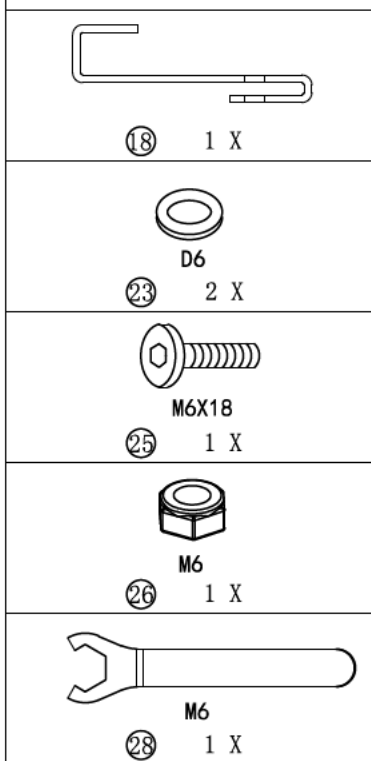


M6X12
24 2 X

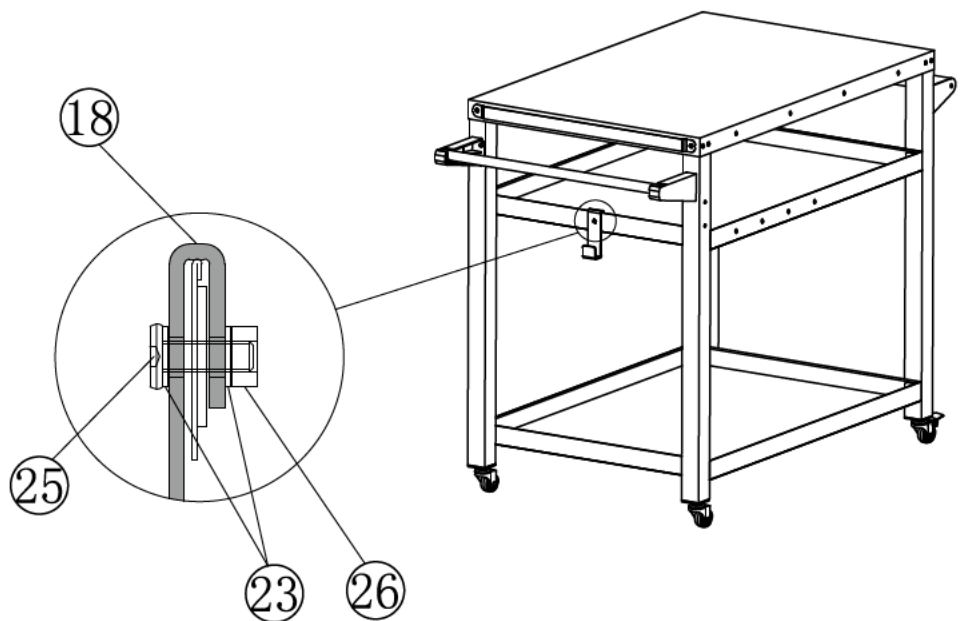




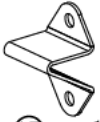
Pay attention to the installation direction of Part #14 and Part #15. (On the same side as the wheel without brakes)



Propane Tank Hook Assembly:



Pay attention to the installation direction of Part #18. (On the same side as the wheel without brakes)



17 1 X

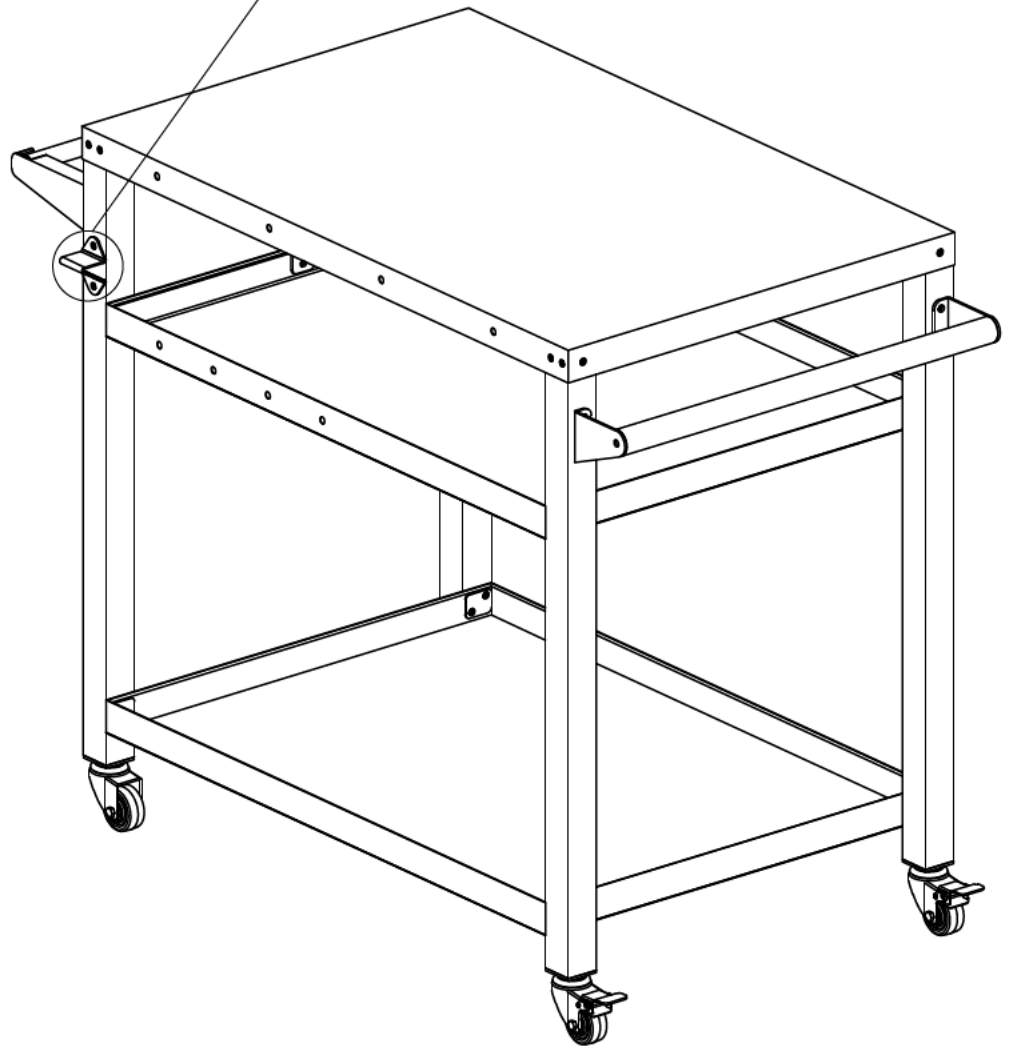
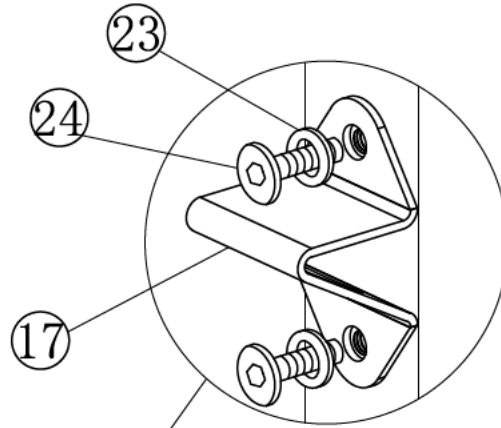


D6
23 2 X

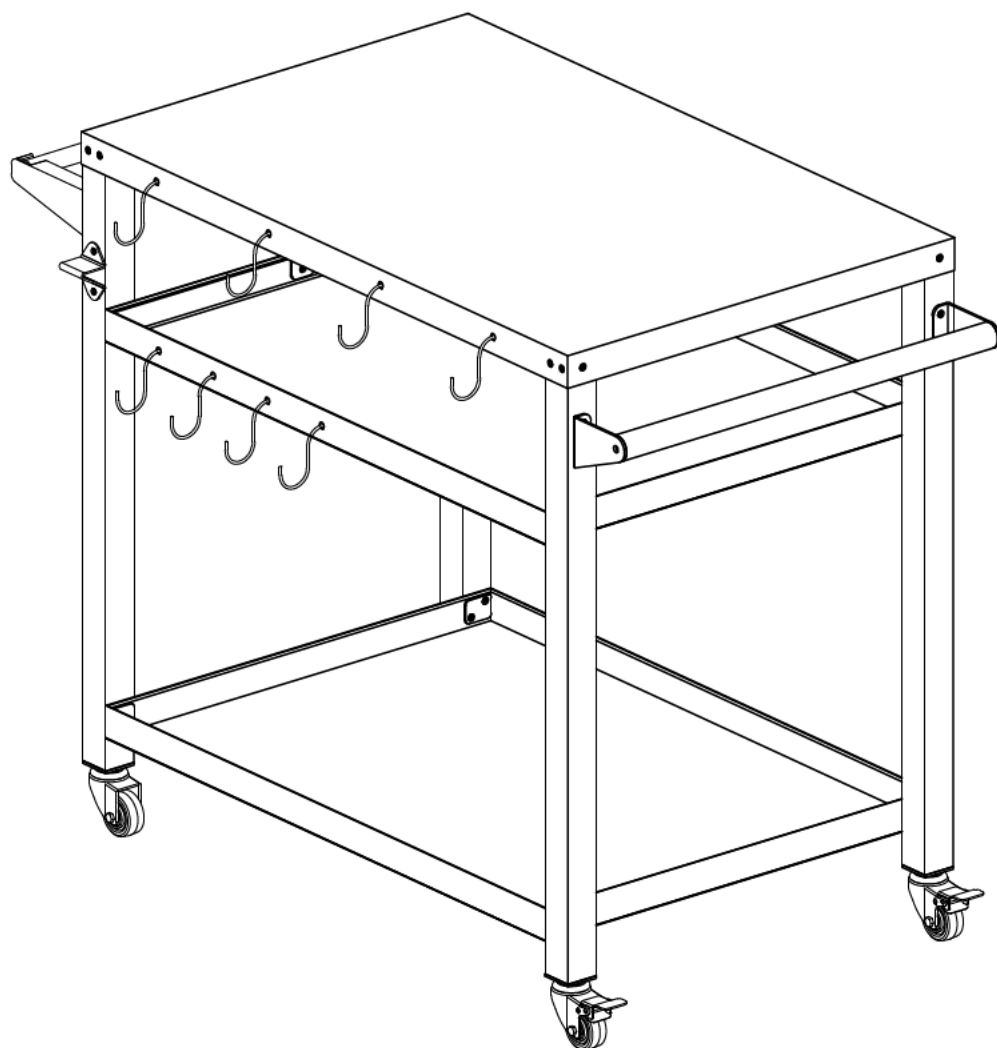
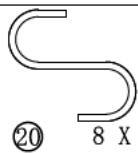


M6X12
24 2 X

Bottle Opener Assembly:



Pay attention to the installation direction of Part #17.



10



CARE & SAFETY

CARE:

•Painted surfaces:

Wash with mild detergent or non–abrasive cleaner and warm water.

SAFETY:

- Not for permanent installation.
- It is of utmost importance to assemble all of the parts according to the directions. Do not skip any step.
- Wear safety goggles and always follow the manufacturer's instructions when using power tools.
- For outdoor use only.
- Use caution with all electric appliances, tools, extension cords and lights on and around table.
- Surface can become hot in direct sun or high temperatures.
- Maximum top weight load of 66 LBS
- Use only on level surfaces.
- Do not allow children to climb the product.
- Do not stand on lid.

WARRANTY AND REPLACEMENT PARTS

This warranty covers defects in parts and workmanship for a period of 1 year from the original purchase date.

IF THERE ARE MISSING OR BROKEN PARTS, PLEASE DO NOT RETURN THE PRODUCT DIRECTLY. Please log onto our website, or contact Customer Service.

The following conditions are NOT covered by this warranty:

- Unevenness and color variations in the coated surfaces.
- Damage caused by improper assembly or disregard of the manual.
- Use of spare parts not supplied by manufacturer.
- Damage resulting from modifications or inappropriate use.
- Damage caused by improper maintenance or repairs by an unauthorized person.

Limitations and exclusions:

1. This warranty applies only to the original purchaser and may not be transferred.
2. If you can not verify the purchase date of the prep cart the warranty period will begin on the date the prep cart was manufactured.
3. Replacement or repair parts are warranted for the remaining period of the original part warranty.

Your obligations:

This prep cart must be assembled, installed, operated and maintained in accordance with all applicable codes and the instruction manual furnished with this prep cart. You must keep an invoice, cancelled check or payment record to verify the purchase date of the prep cart.