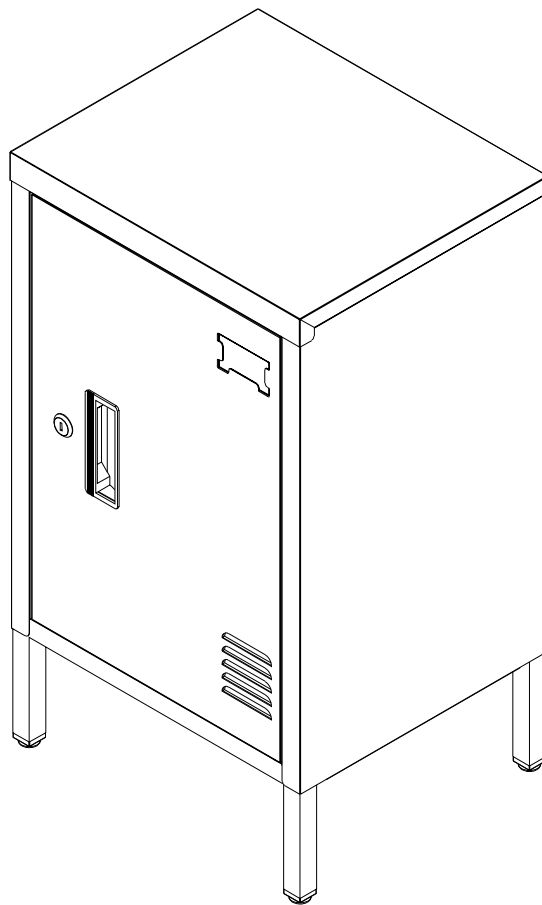
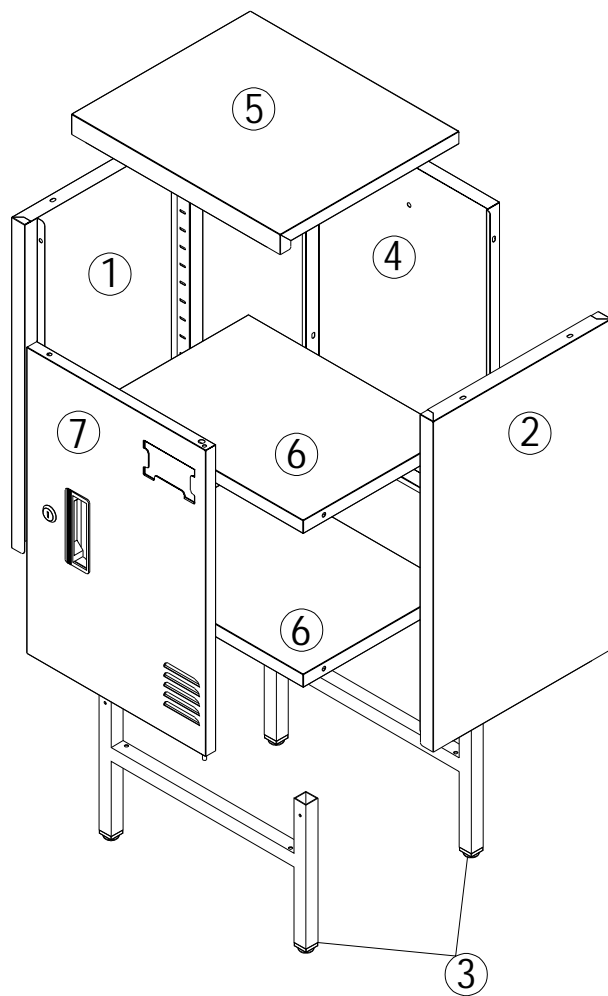
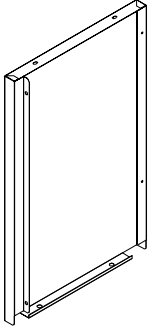
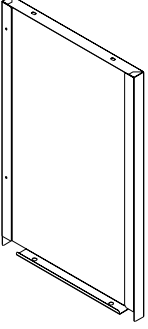
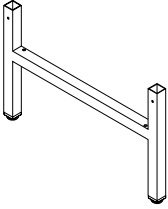
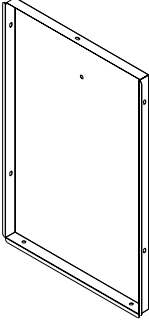
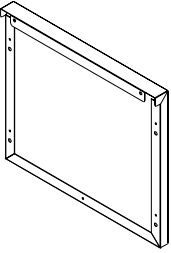
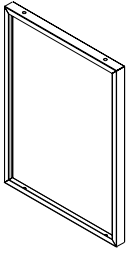


Assembly Instructions



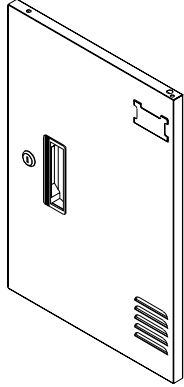


Accessories

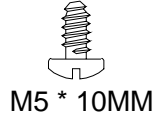
1-Left Side Panel	1PC	2-Right Side Panel	1PC
			
3-Cross Leg	2PCS	4-Back Panel	1PC
			
5-Top Panel	1PC	6-Shelf / Bottom Panel	2PCS
			

7-Door

1PC



A * 13



B * 1



C * 1



D * 2



E * 1



F * 4



Spare



Already pre-installed
on the door 7

Foot*4



Already pre-installed
on the cross legs

Key*1



Attached on the door 7



CAUTION

An assistant is required

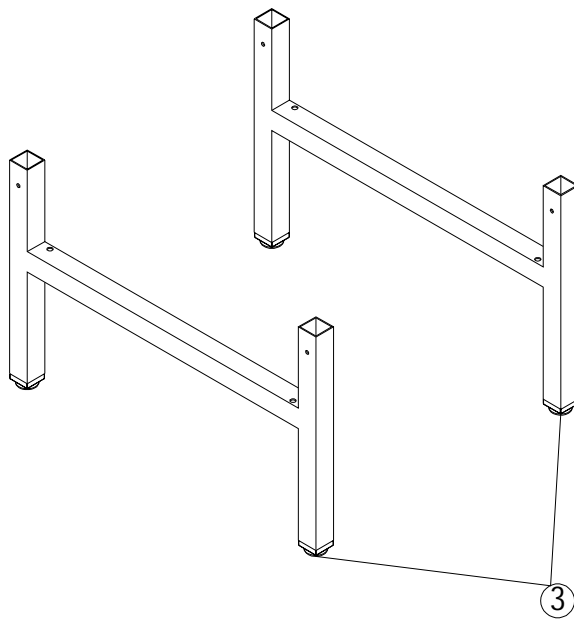
CUSTOMER FIRST, SERVICE FOREMOST!

Questions? Issues?

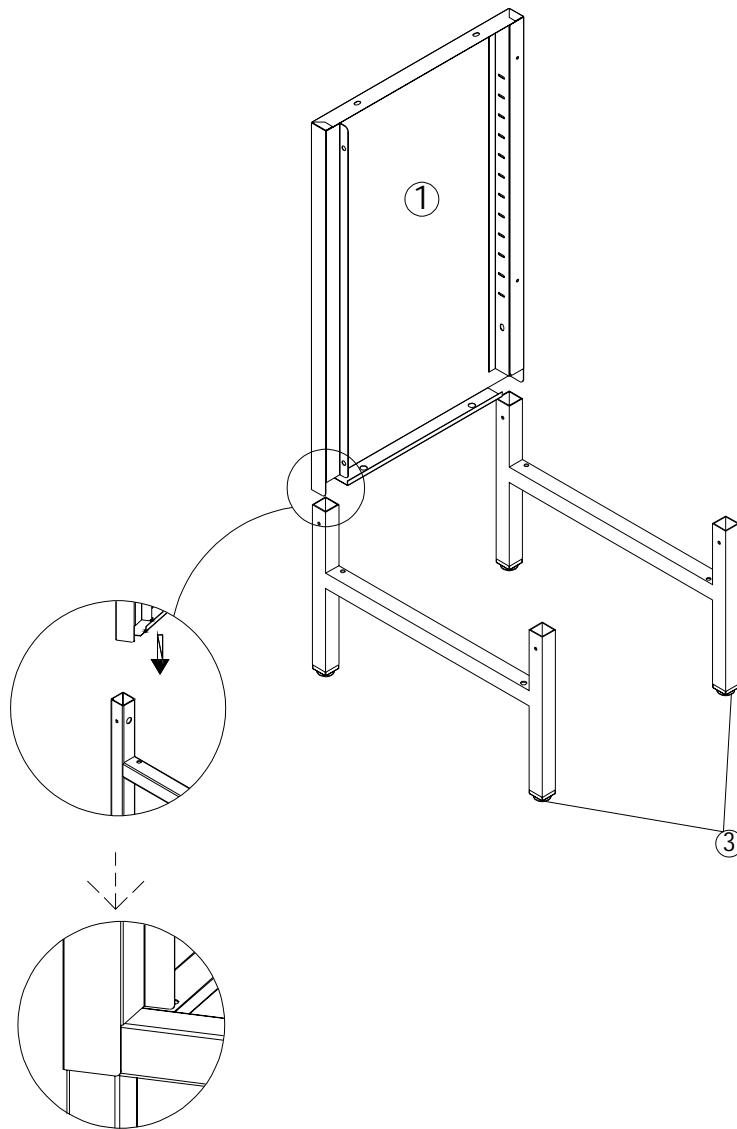
CONTACT US

REPLY WITHIN 24 HOURS IN BUSINESS DAYS

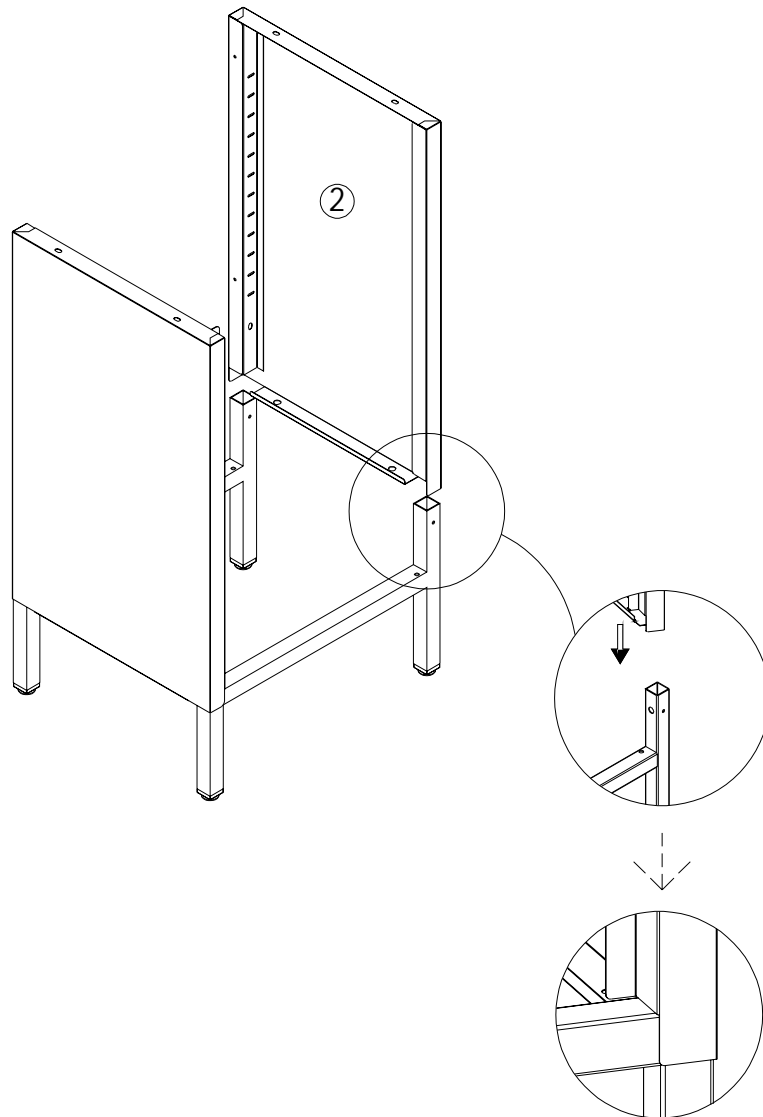
Step 1: Put two cross legs 3 on a flat surface



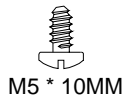
Step 2: Insert the cross legs 3 into the bottom of left side panel 1



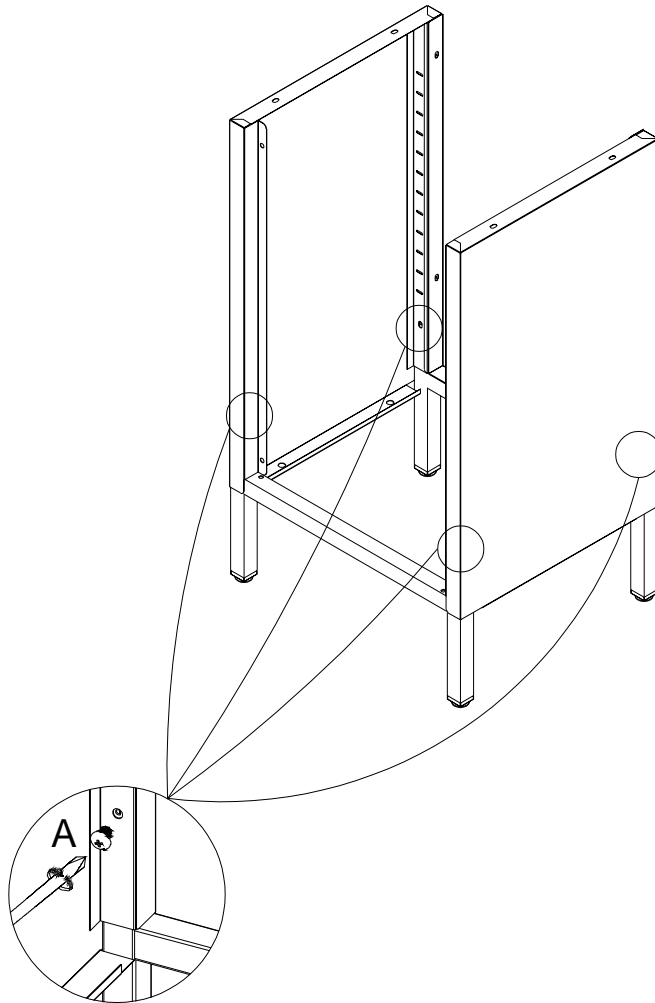
Step 3: Insert the cross legs 3 into the bottom of right side panel 2

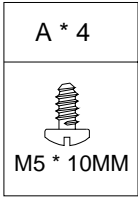


A * 4

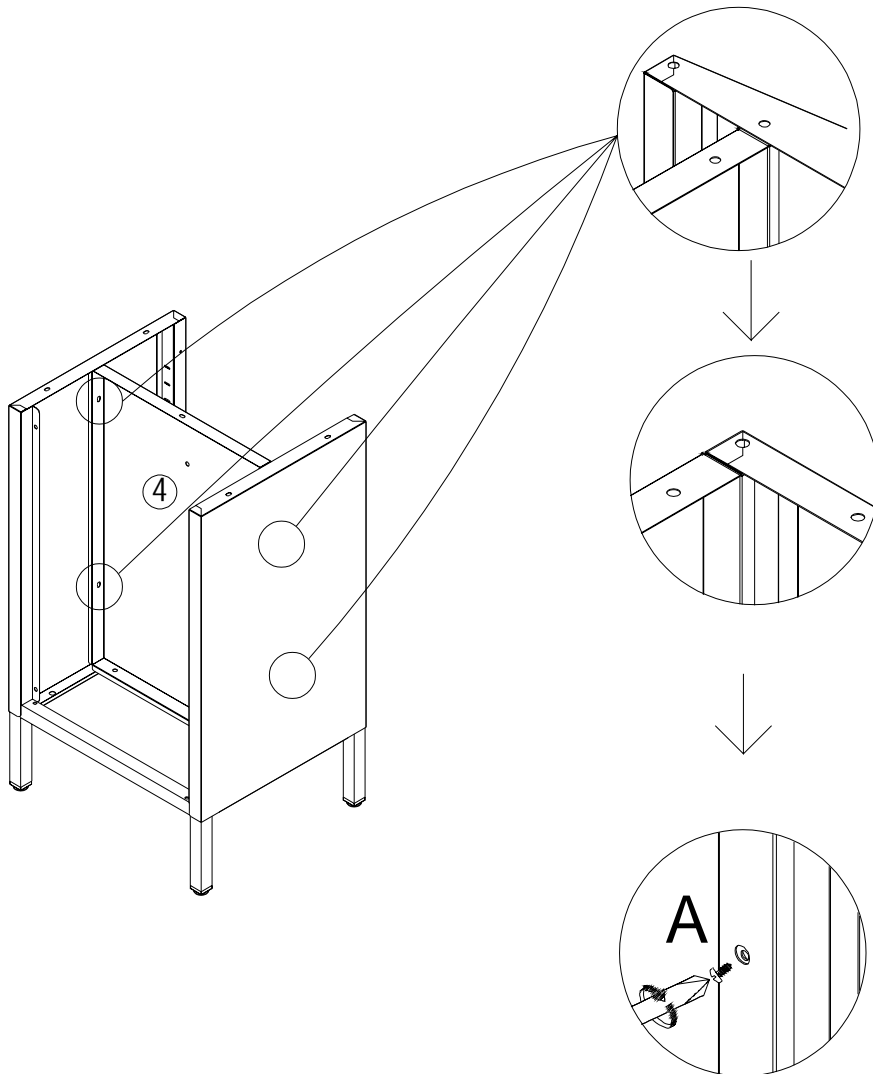


Step 4: Fix side panels 1, 2 and cross legs 3 with 4 screws A

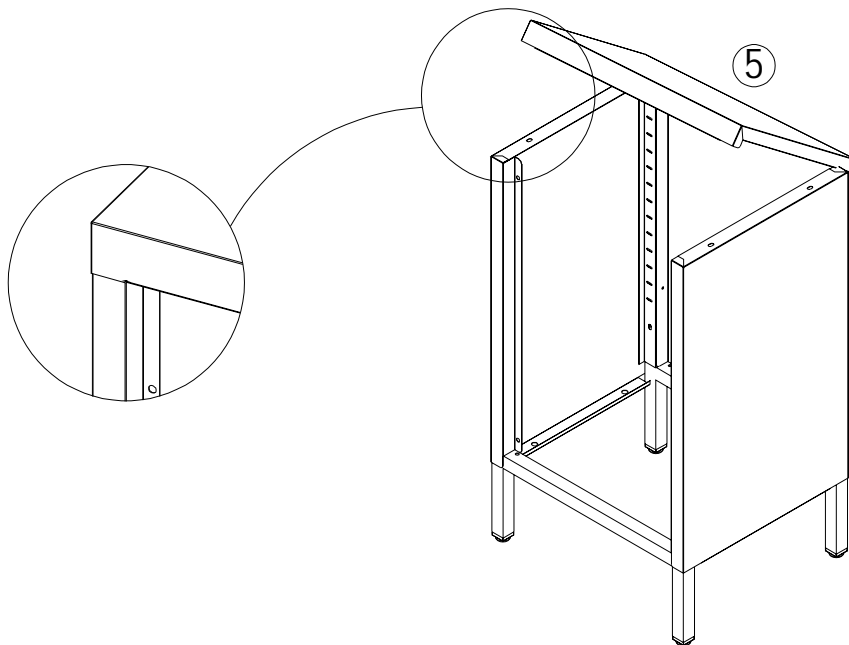




Step 5: Install back panel 4 and connect it with side panels 1 and 2 by 4 screws A

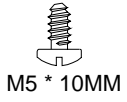


Step 6: Put the top panel 5 on the top

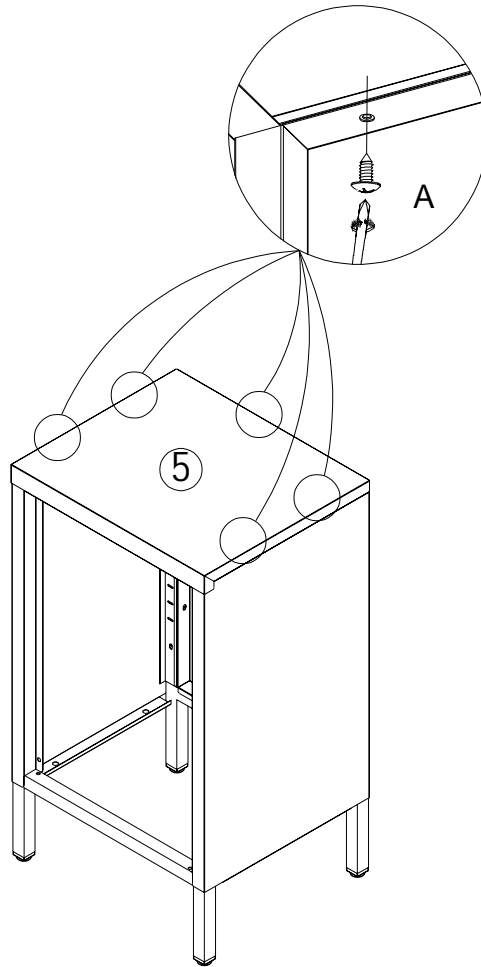


After the screws are tightened in the subsequent step, the top panel will be properly aligned

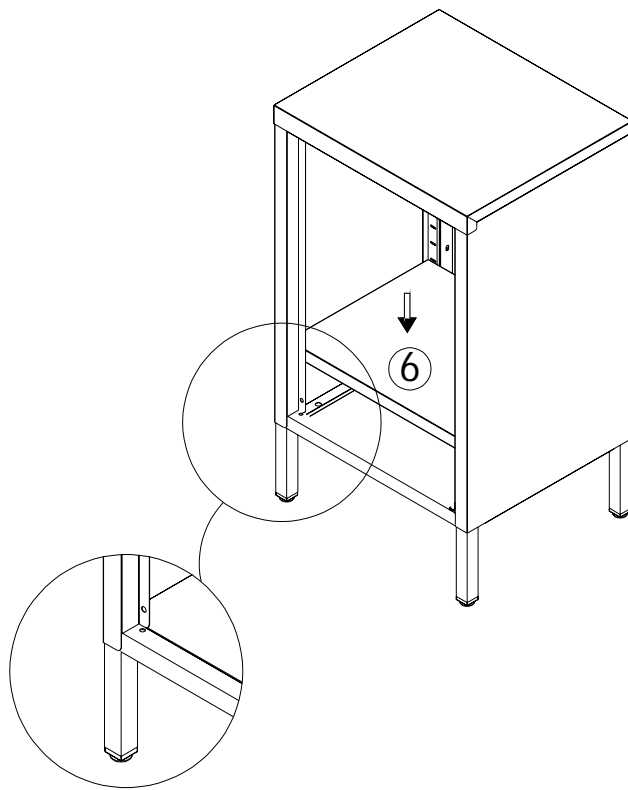
A * 5






Step 7: Fix the top panel 5 with
other parts by 5 screws A



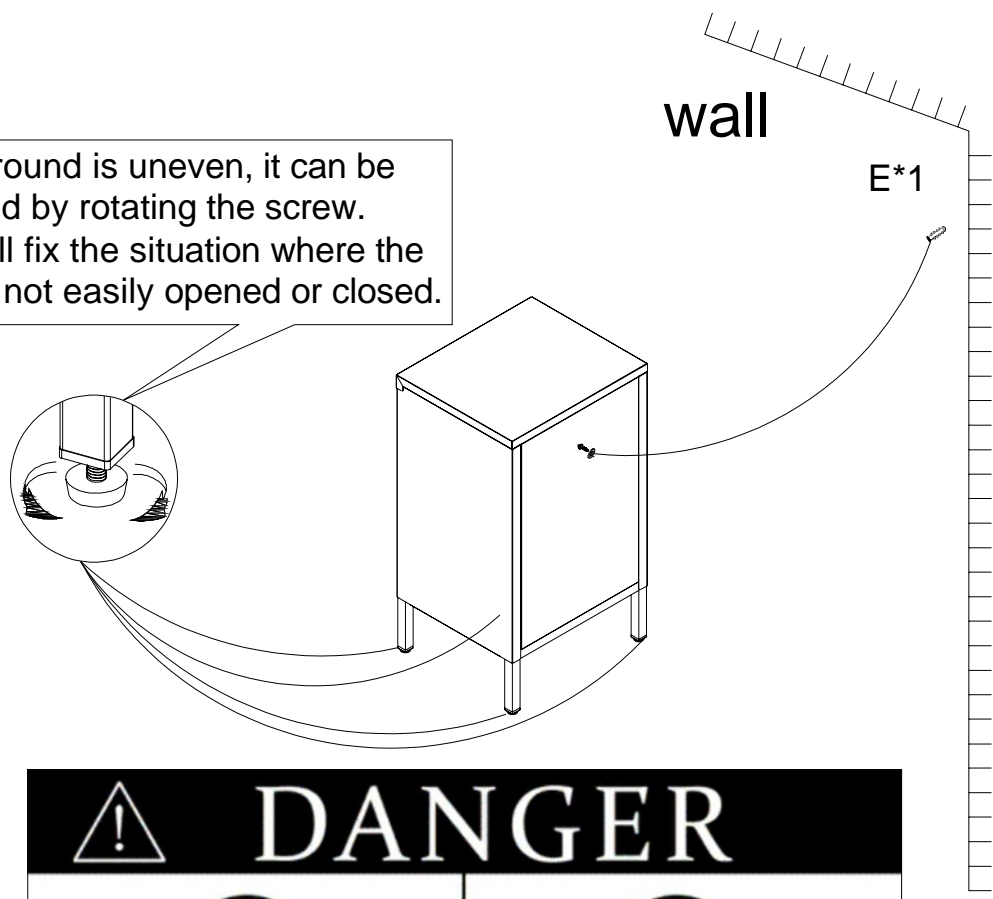
Step 8: Tilt the bottom panel 6 into the cabinet and press it down




E*1		
 M8	 M5*30MM	 M5

Step 9: Fix the cabinet on the wall with 2 expansion screws E to prevent tipping

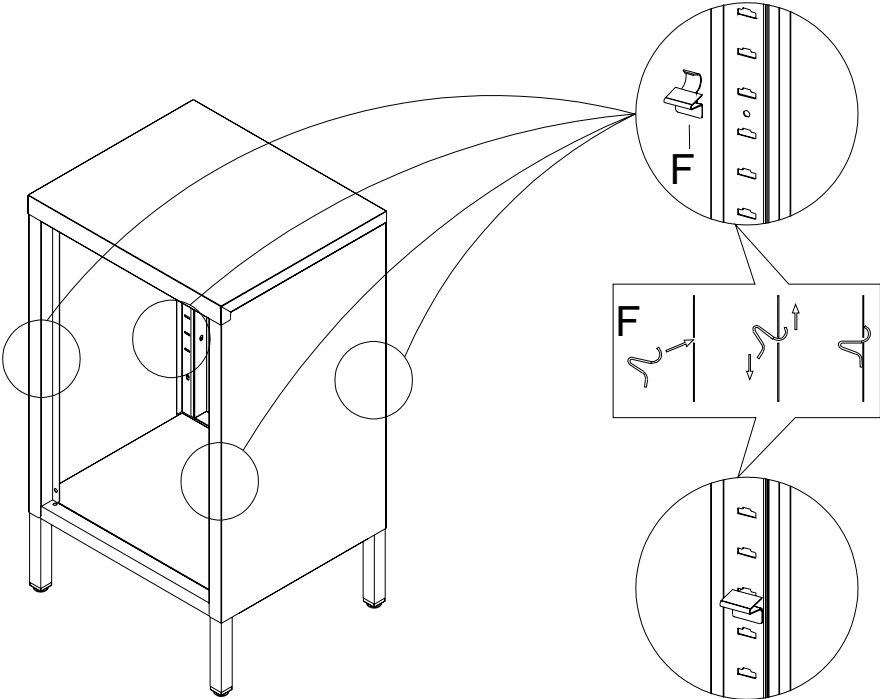
If the ground is uneven, it can be adjusted by rotating the screw. This will fix the situation where the door is not easily opened or closed.



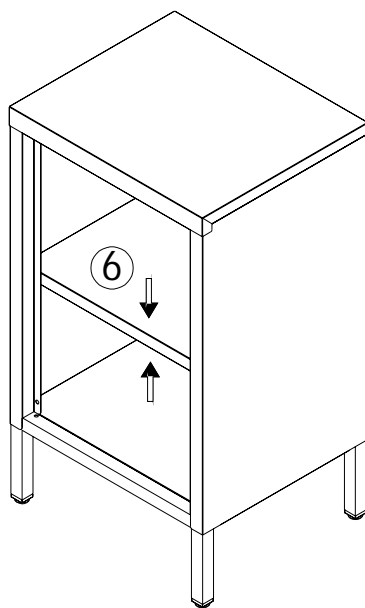
 DANGER	
	
<p>Always secure this furniture with an anchor device. Unsecured furniture can cause serious injury or death to children. Never allow children to stand, climb or hang on drawers, doors or shelves. Never open more than one drawer or door at a time. Place the heavy items on the lower position. Never place a television on this furniture. This is a permanent label. Do not remove!</p>	

F * 4


Step 10: Install 4 shelf clasps F on the side panels (the height can be adjusted as your needs)



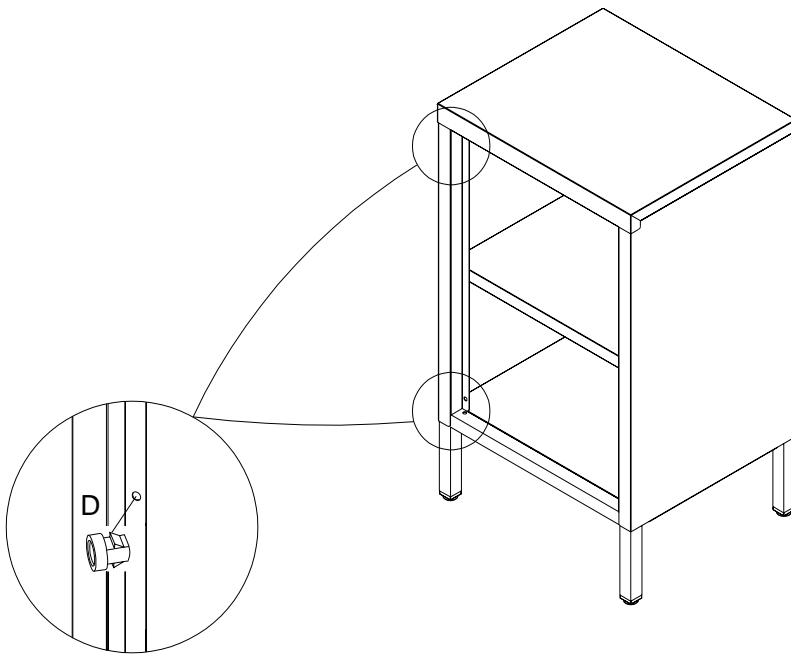
Step 11: Put the shelf 6 on the shelf clasps





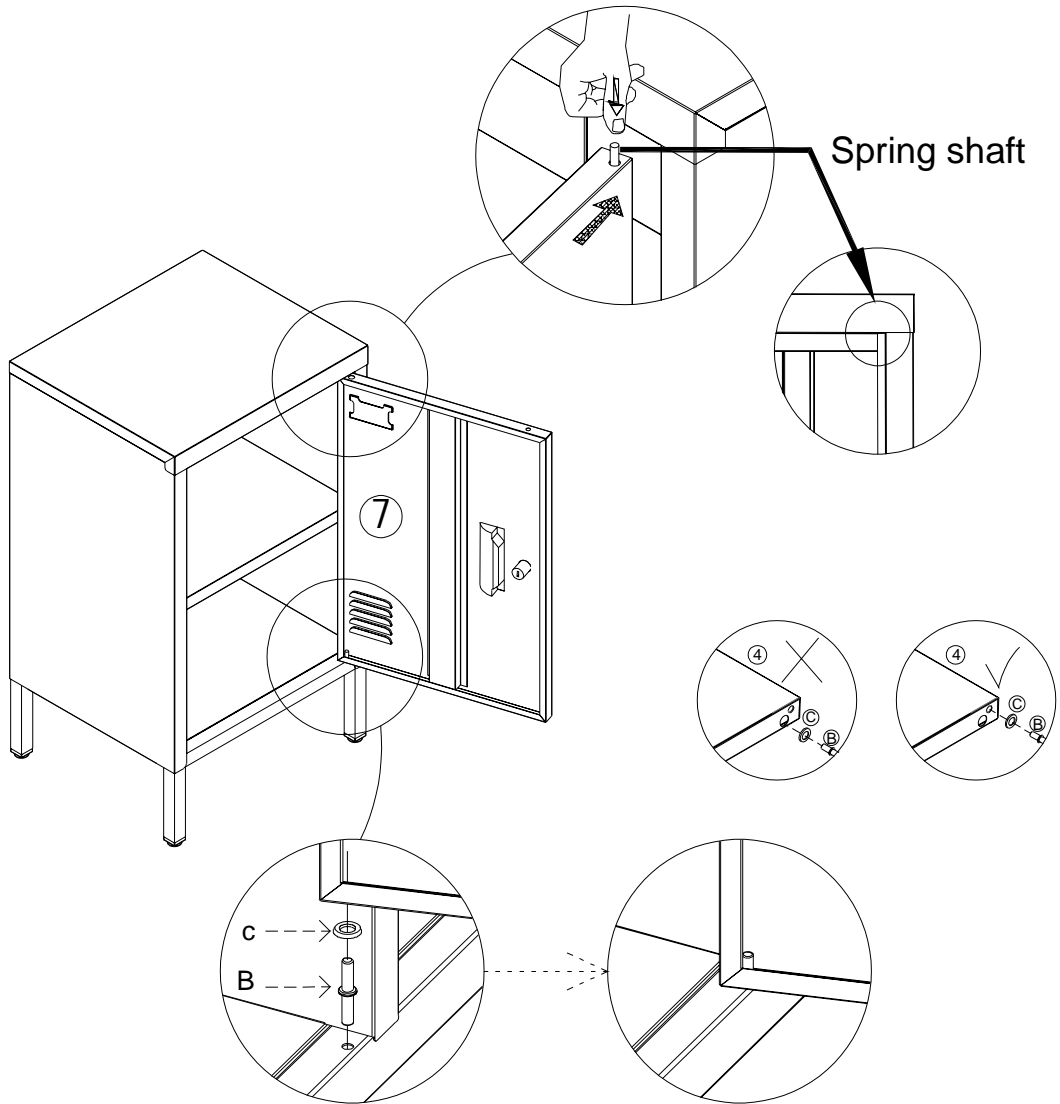
D * 2



Step 12: Install 2 magnets D



B * 1	C * 1	Step 13: Insert the door pivot B into the hole of the bottom corner (0/1 shim C can be used to adjust the seam), then insert the door 7 into the pivot at the bottom and adjust the spring shaft at the top corner
		



There are two holes here, and B should be inserted into the smaller hole.

