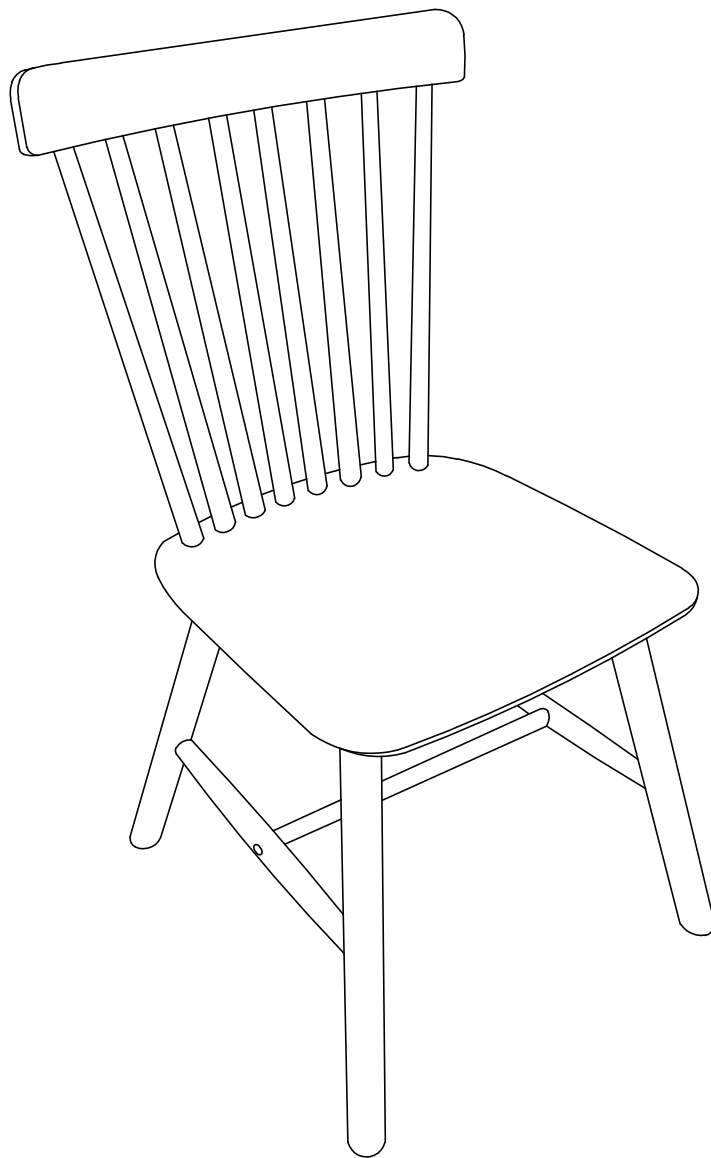


Assembly Manual

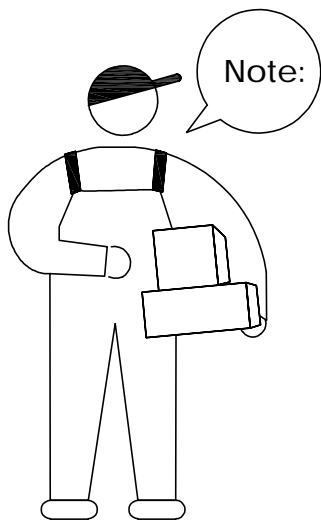
Dining Chair

DC065

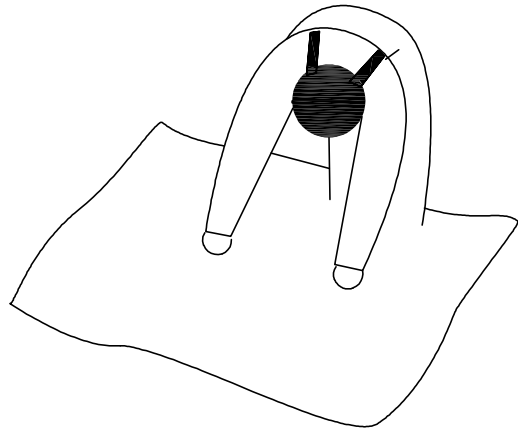


Please read this manual carefully before any operation and keep it properly for future use.
Customer Service: ecservice@isunon.com

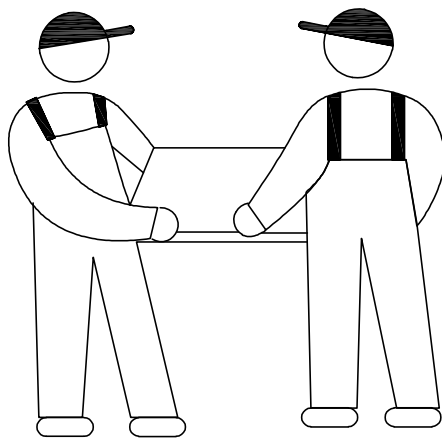
Assembly-note:



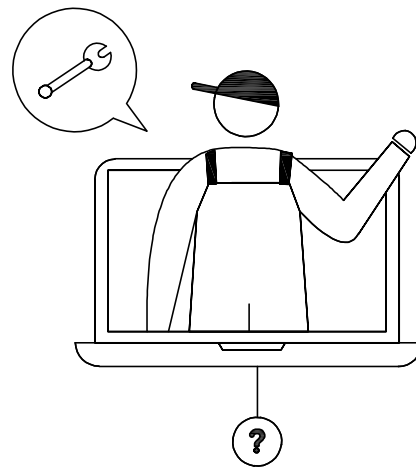
- Put a protective mat on the ground and handle the product with care.



- Two people are preferred.



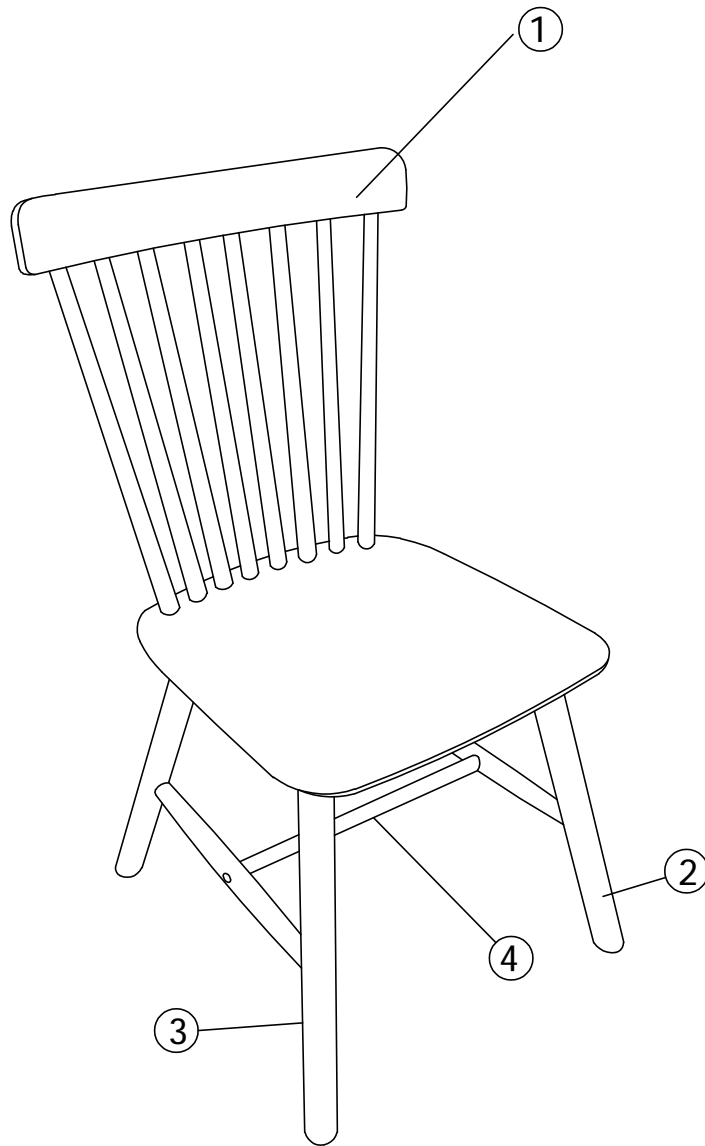
- Contact us if you have any confusions



Contact us

If you have any problems or concerns about your purchase, please get in touch with our customer (ecservice@isunon.com) as soon as possible and we will do everything we can to help. You'll be highly appreciated if you can put your order number in the email title so that we can deal with it efficiently.

Exploded
diagram:



NO.	Name	PCS
1	Seat pan with back	1
2	Left leg	1
3	Right leg	1
4	Crossbar	1

Accessory list:

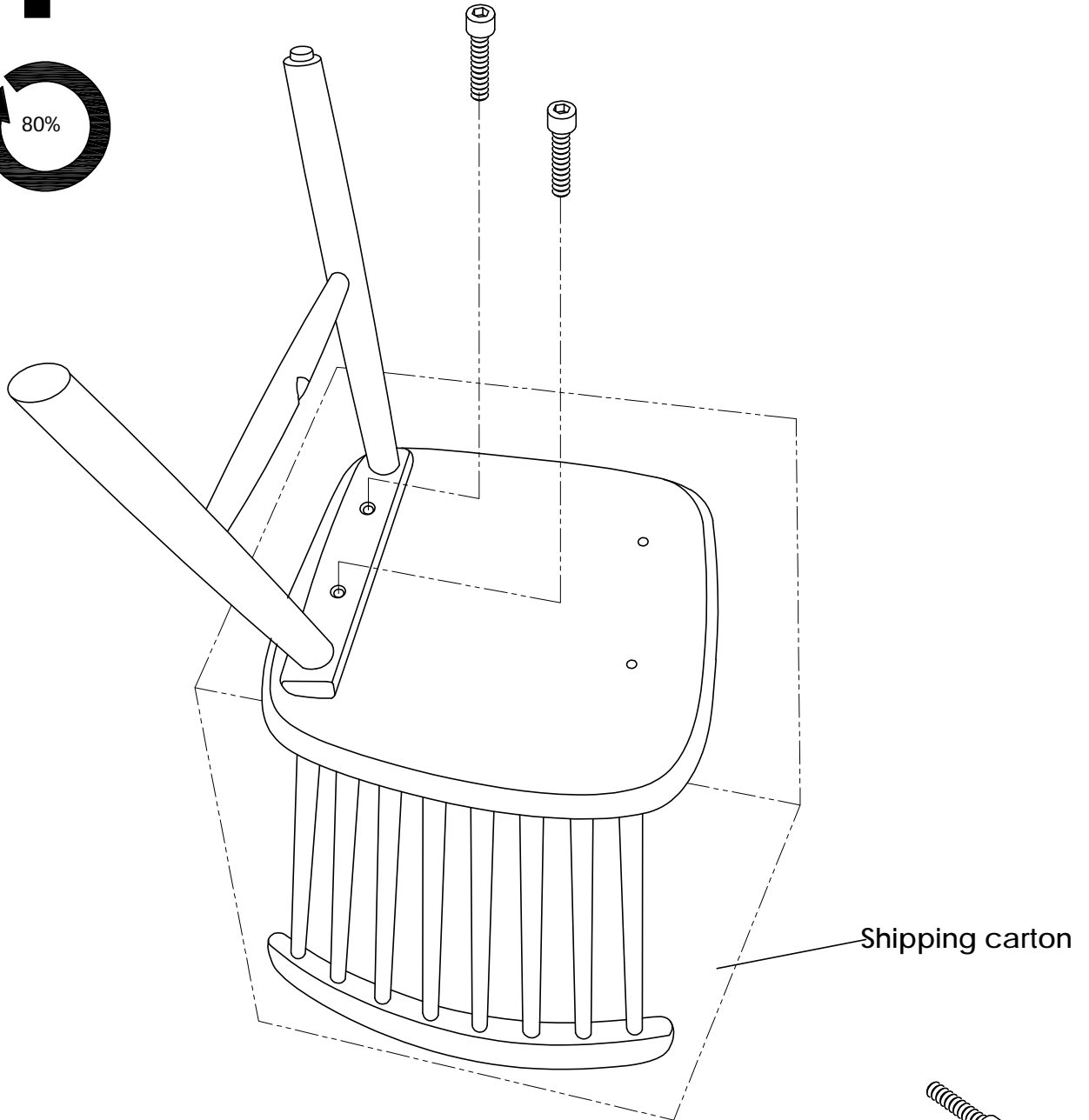
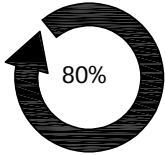
A		B		C	
					
Bolt	6+2	Nut	2+1	Allen wrench	1


Note: The number after "+" sign indicates the extra piece(s).

Step1:

Place the seat pan with back(1) on the carton, then attach right leg(3) to the seat pan using bolts(A) and allen key(C). Do NOT fully tighten the bolts until all of them are in the correct holes. This will allow you slight adjustments during the assembly.

1

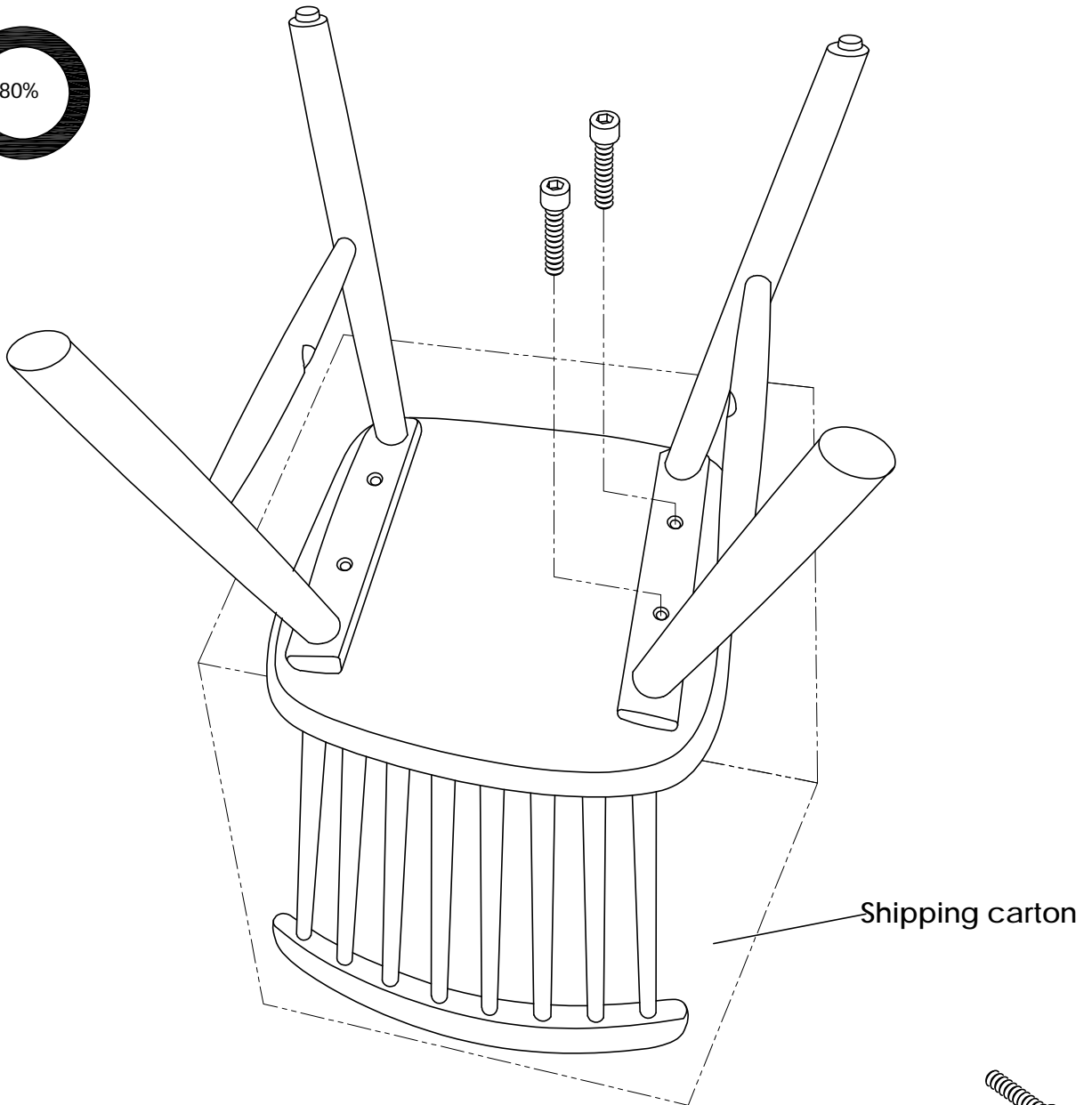
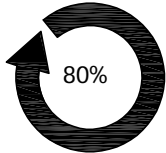




Ⓐ M8*45
(2)

Step2:

Attach left leg(2) to the seat using bolts(A) and allen key(C).Do NOT fully tighten the bolts until all of them are in the correct holes. This will allow you slight adjustments during the assembly.

2

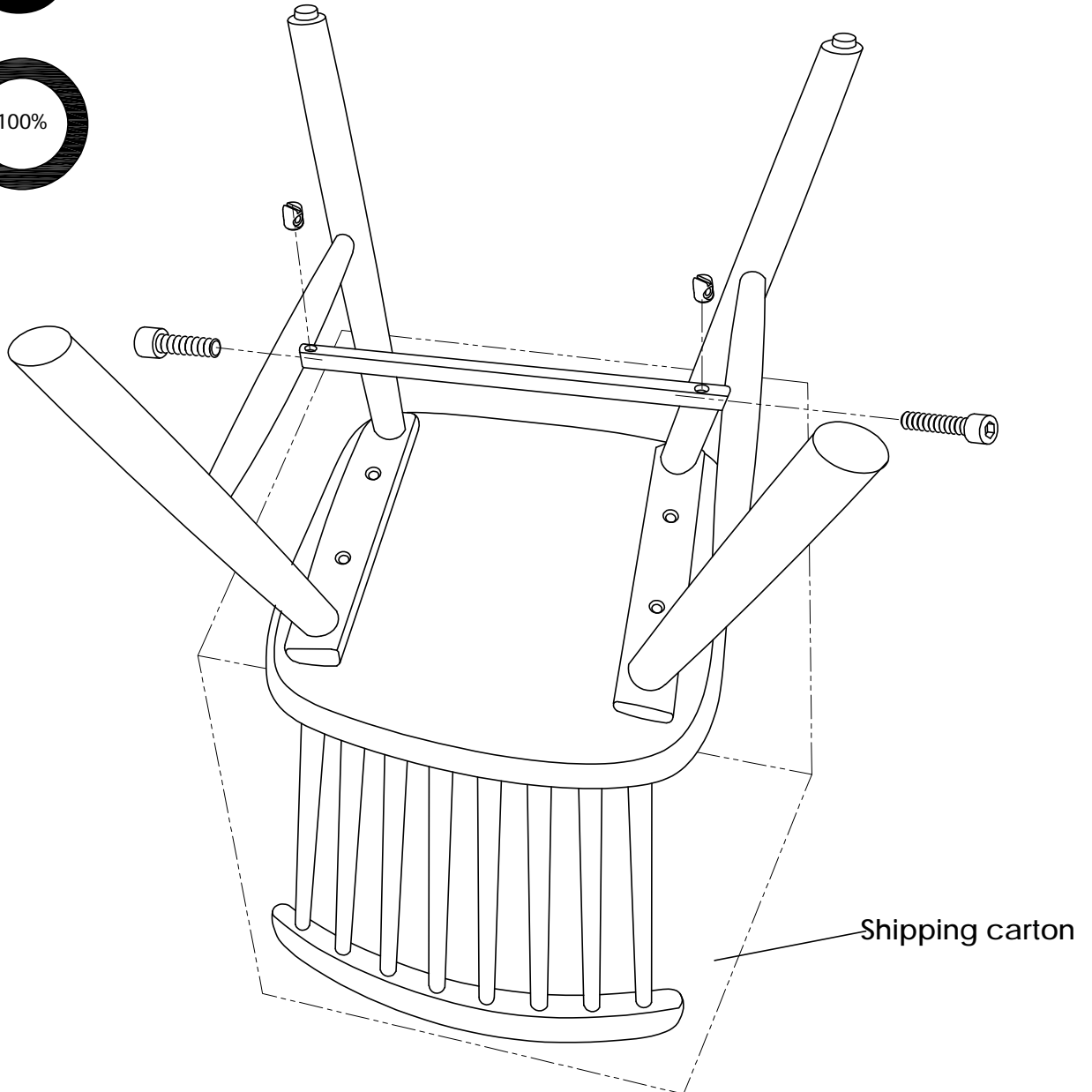
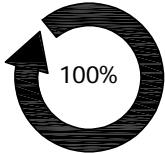




Ⓐ M8*45
(2)


Step3:

Attach crossbar(4) to the legs(2&3) using bolts(A), nuts(B), and allen key(C). Tighten all bolts completely.

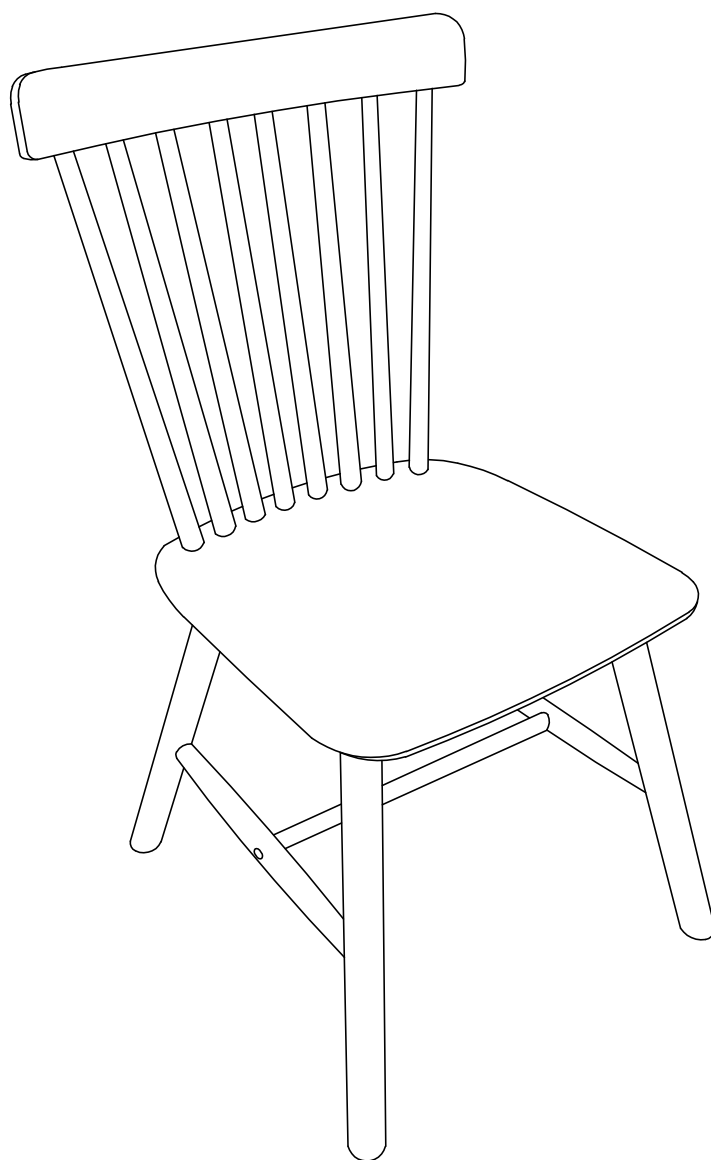
3




Ⓐ M8*45
(2)


Ⓑ (2)

Done



Warning

- Please keep the product away from children while assembling.
- Do not let children play or jump on the product.
- Do not stand on the item or use as a step ladder.
- Prior to use, please check to see if there's any loosening screw or part.
- Make sure that each screw and part is correctly installed and securely fastened.

Care and Maintenance

- Use a soft clean cloth that will not scratch the surface when dusting
- There's no need to use furniture polish.If you need, test it first in an inconspicuous area.
- Using solvents of any kind on your furniture may damage the finish.
- Never use water to clean your furniture as it may cause damage to the finish.
- Liquid spills should be removed immediately.
- Gently blot the spill with a soft clean cloth to avoid rubbing.

Further advice about the furniture care

- It is best to keep your furniture in a climate-controlled environment.
- Extreme temperatures and humidity changes can cause fading.warping, shrinking and spitting of wood.
- We recommend to keep furniture from sunlight exposure to avoid possible surface damage.
- Proper maintenance and cleaning at home will extend the life of your purchase.
- Following these important and helpful tips will help retain your furniture's performance even when it ages.
Periodically(every 90 days) make sure the screws are fully tightened.