

# ASSEMBLY INSTRUCTION

## COFFEE TABLE

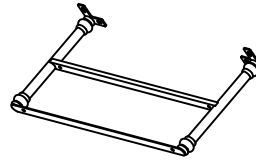
**A** Allen Wrench    **B** Bolt    **C** Side Frame    **D** Side Frame



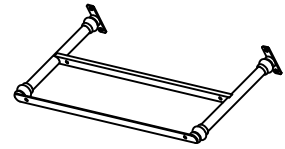
1PC



27PCS

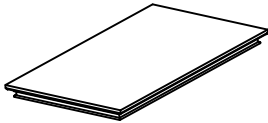


2PCS

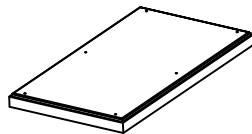


1PC

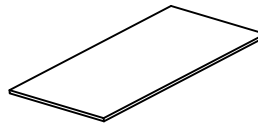
**E** Top Panel    **F** Bottom Panel    **G** Shelf    **H** Flat washer



1PC



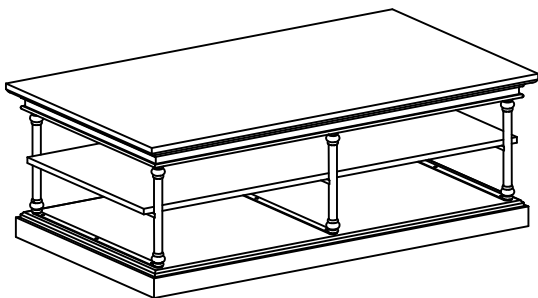
1PC



1PC

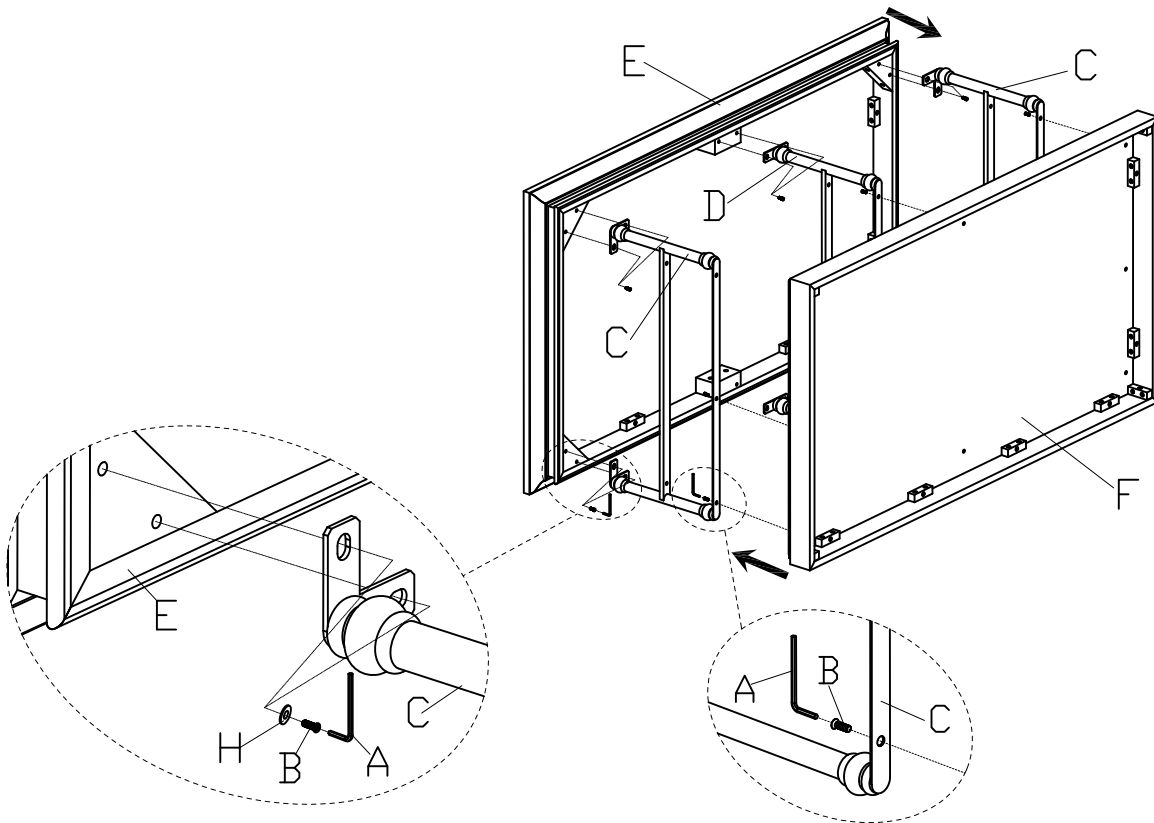


12PCS

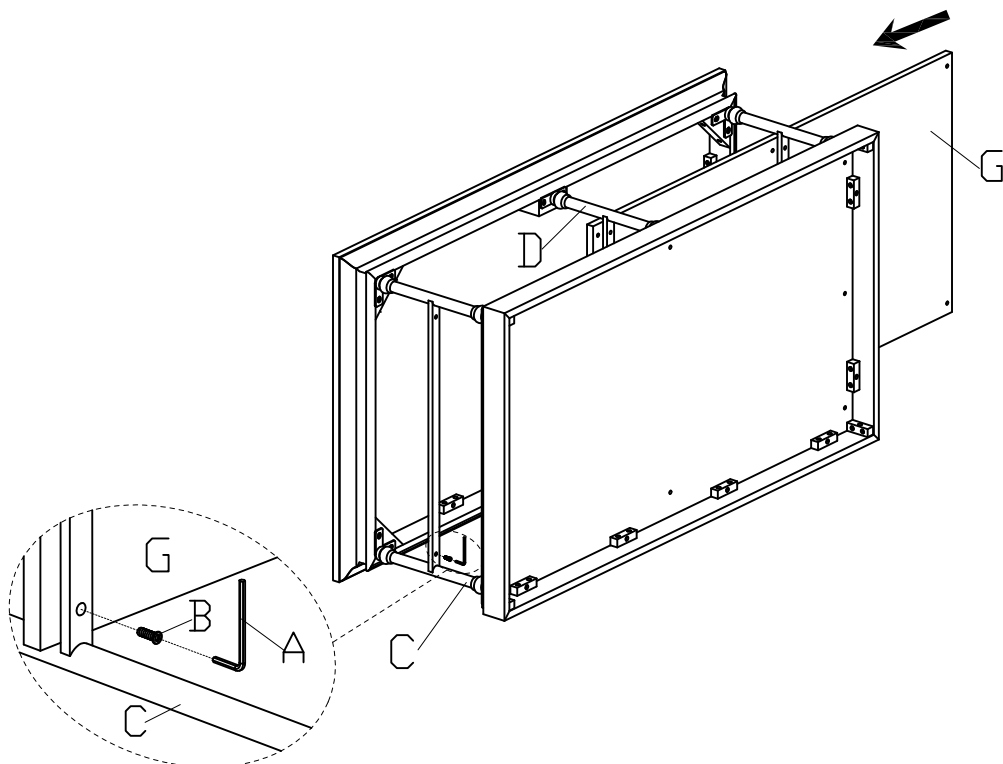


This page lists all the contents included in the box. Please take the time to identify the hardware as well as the individual components to this product. As you unpack and prepare for assembly, place the contents on a carpeted or padded area to protect them from damage.

- 1** Assembly the Top Panel(E) and Bottom Panel(F) onto the Side Frame(C) and Side Frame (D), then using the Bolt(B) and Flat washer(H) , by Allen Wrench(A).



- 2** Assembly the Shelf(G) onto the Side Frame(C) and using the Bolt(B) by Allen Wrench(A).



## Cleaning & Care

Treat surface with care. Surface is resistant to scratches but is not scratch resistant. Clean surfaces with a dry or damp soft cloth. Do not use abrasive cleaners. Hardware may loosen over time. Periodically check that all connections are tight.