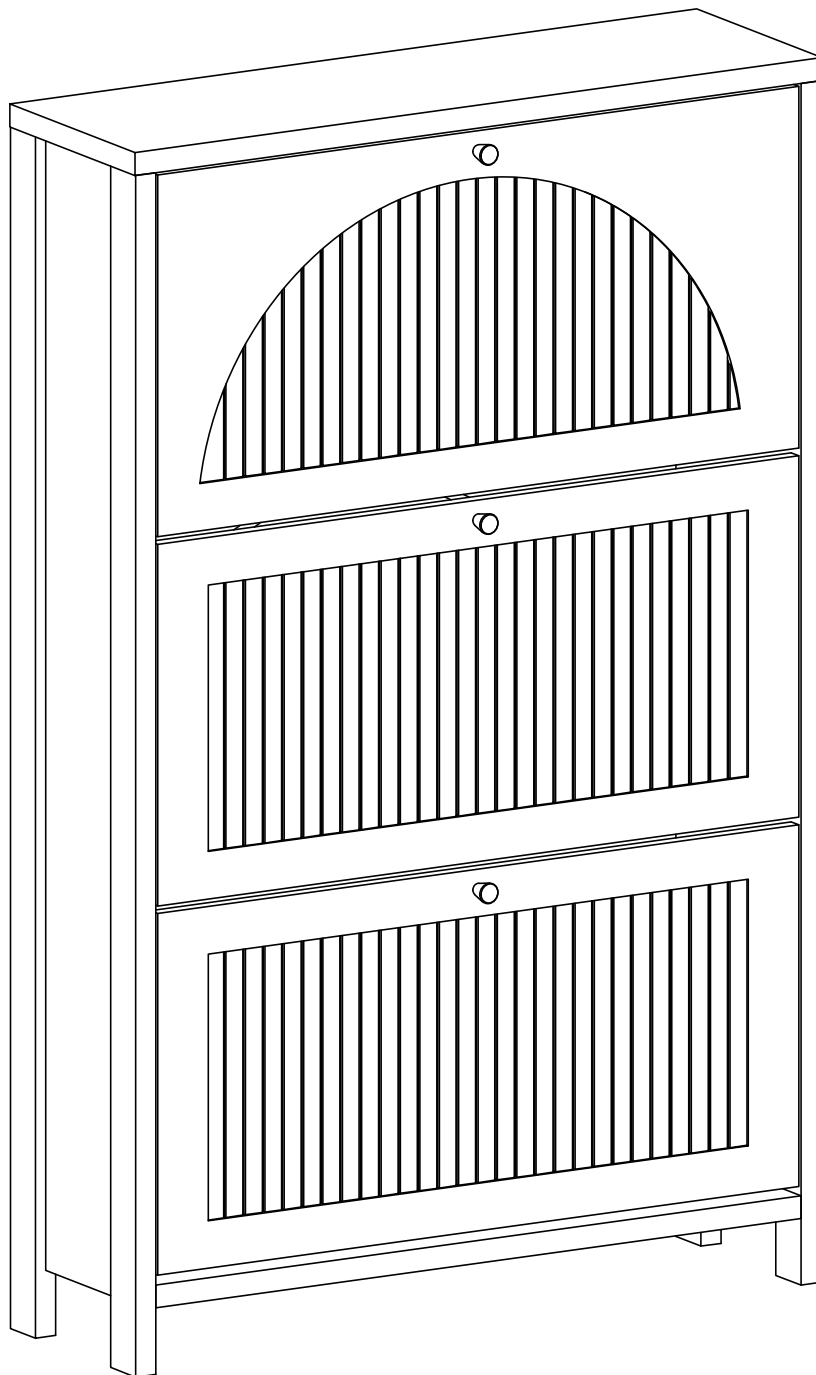
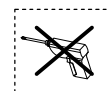
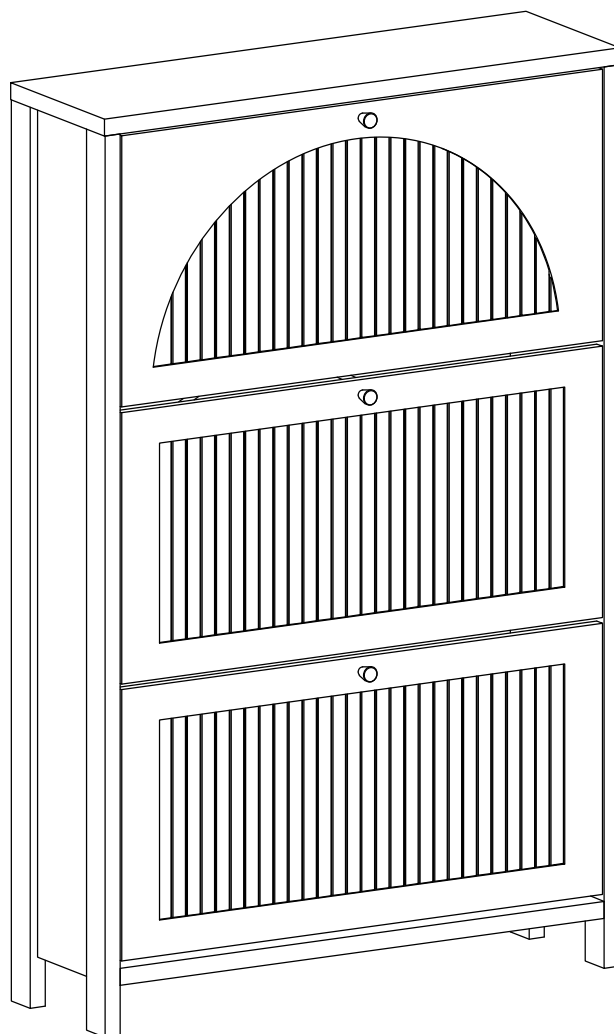


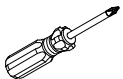
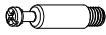



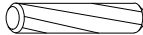
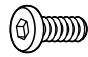










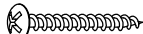

Assembly instructions

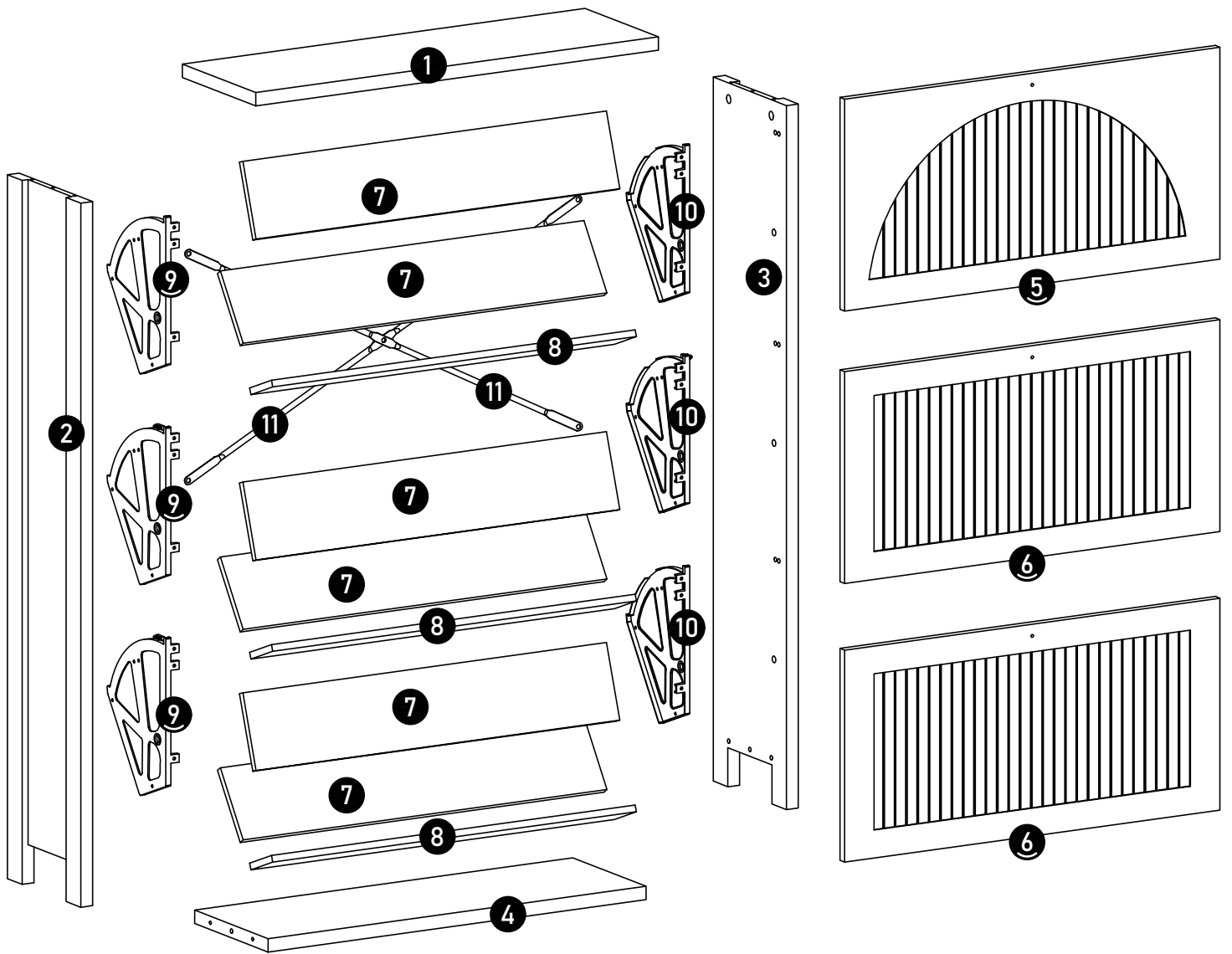


ASSEMBLY INSTRUCTION



Note: Do not use power tools on cam lock C.

A	x 1	B	x 8+1	C	x 8+1	D	x 36+1	E	x 1	F	x 4+1	G	x 5+1
													
				Ø15 x 10mm		Ø3 x 15mm		M4		Ø8 x 30mm		M6 x 12mm	
H	x1+1	I	x 3	J	x3+1	K	x 4+1	L	x 6	M	x 6	N	x 1
													
				Ø4 x 18mm									
O	x 2	P	x2	Q	x 2	R	x 2	S	x 6+1				
													
Ø3 x 15mm						Ø3.5 x 35mm		M6 x 18mm					



1x ① Top Panel

1x ④ Bottom Panel

6x ⑦ Large Shelf

3x ⑩ Right Brace

1x ② Left Side Panel

1x ⑤ Drawer Front

3x ⑧ Small Shelf

2x ⑪ Support Rod

1x ③ Right Side Panel

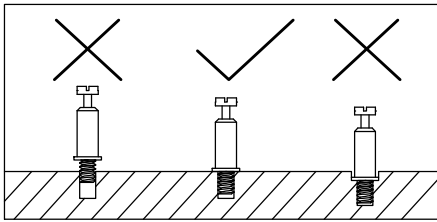
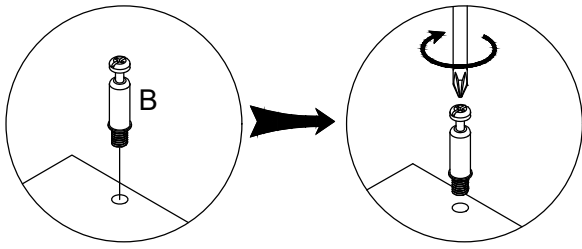
2x ⑥ Drawer Front

3x ⑨ Left Brace

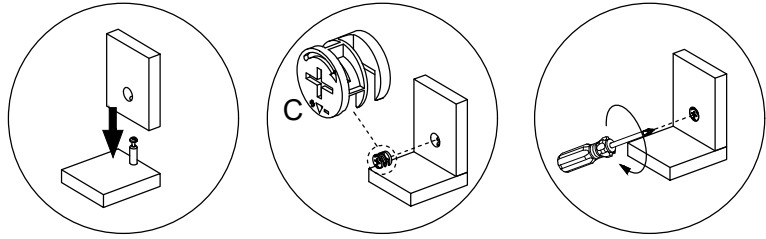


Hardware installation demonstration

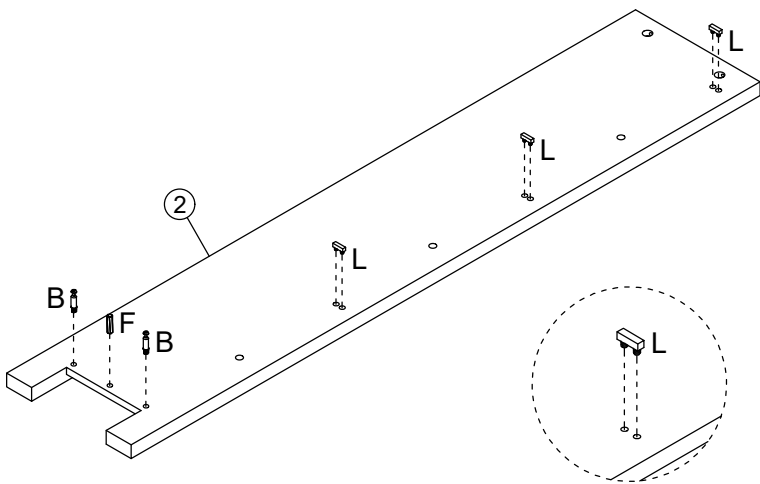
- Please make sure "B" hardware tightened and can't be pulled out.



- When inserting cam "C" ensure arrowhead on cam points toward to the hole on the panel edge.

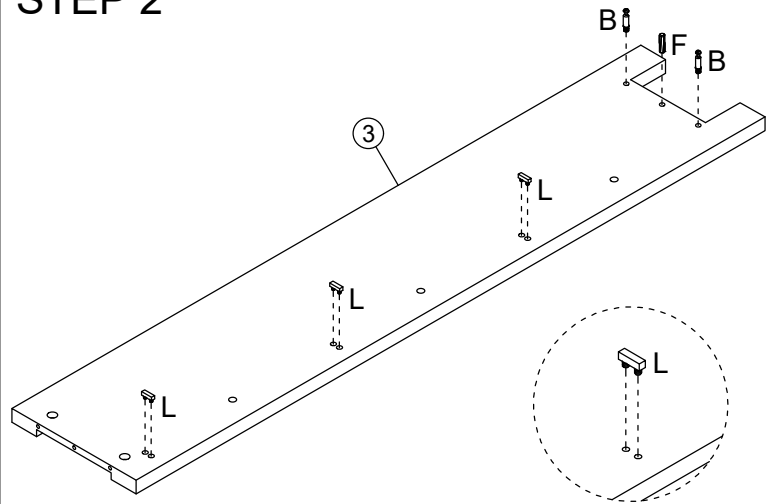


STEP 1



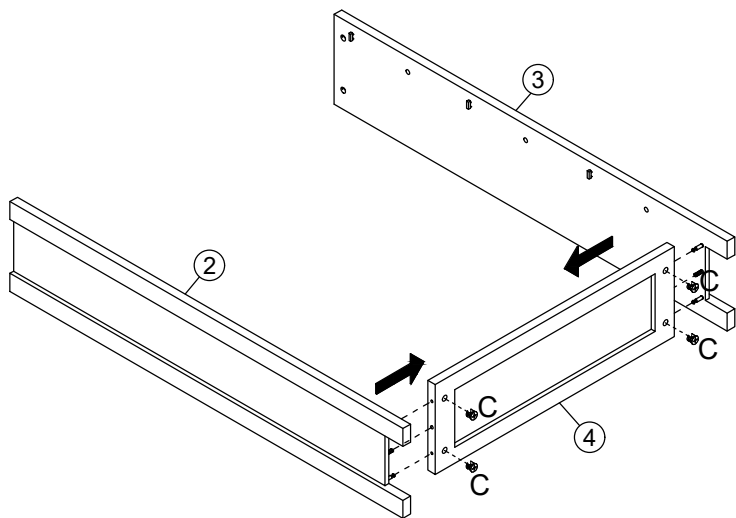
L x 3PCS | B x 2PCS | F x 1PC

STEP 2



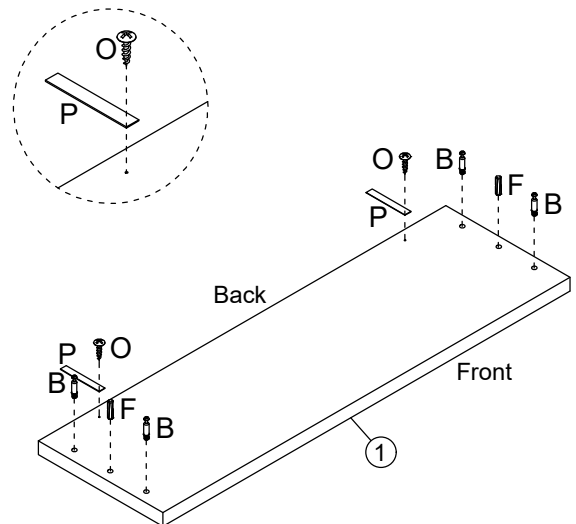
L x 3PCS | B x 2PCS | F x 1PC

STEP 3



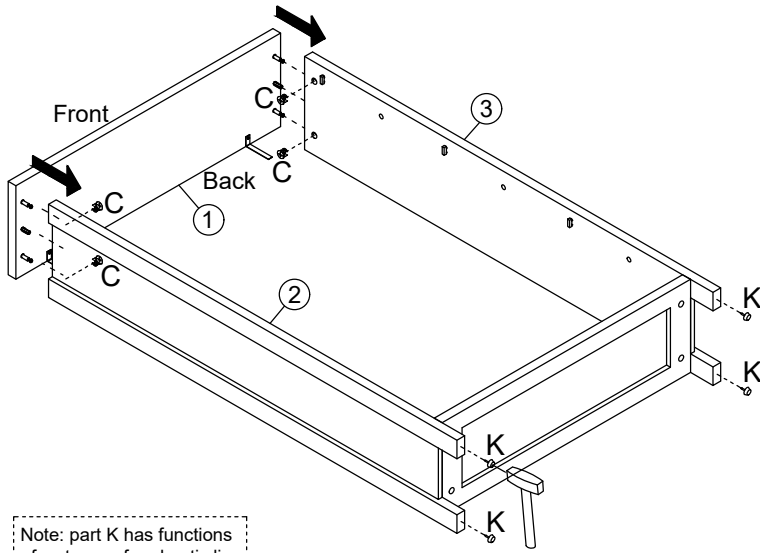
C x 4PCS

STEP 4



O x 2PCS | P x 2PCS | B x 4PCS | F x 2PCS

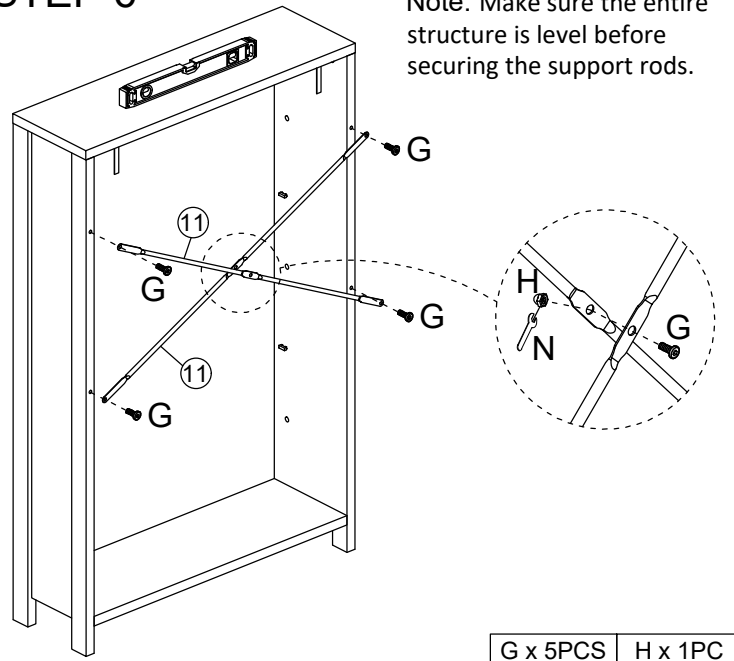
STEP 5



Note: part K has functions of waterproof and anti slip.

K x 4PCS | C x 4PCS

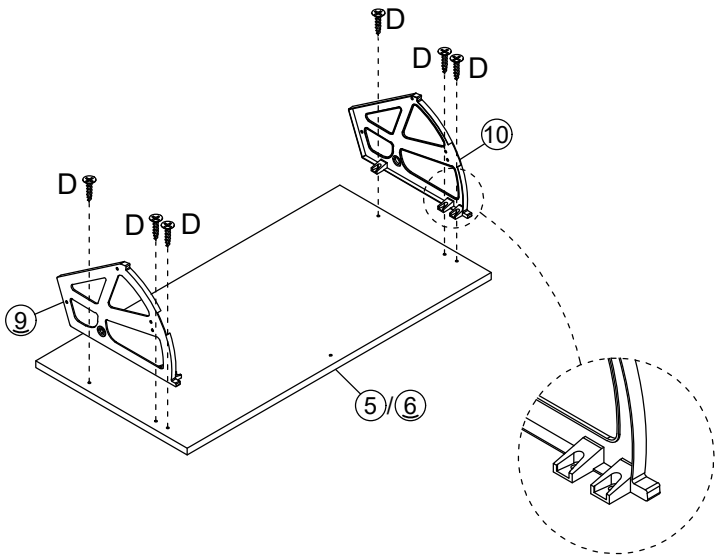
STEP 6



Note: Make sure the entire structure is level before securing the support rods.

G x 5PCS | H x 1PC

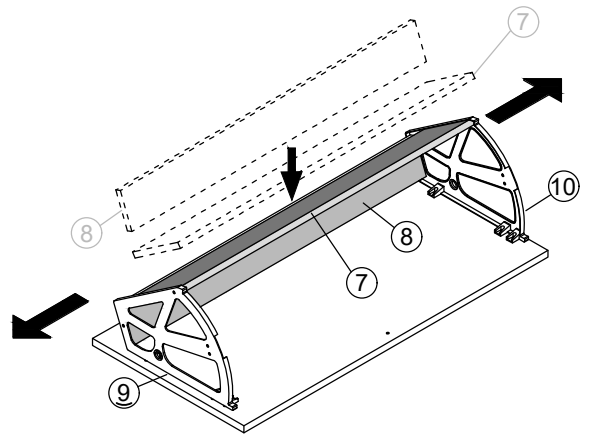
STEP 7



x 3

D x 18PCS

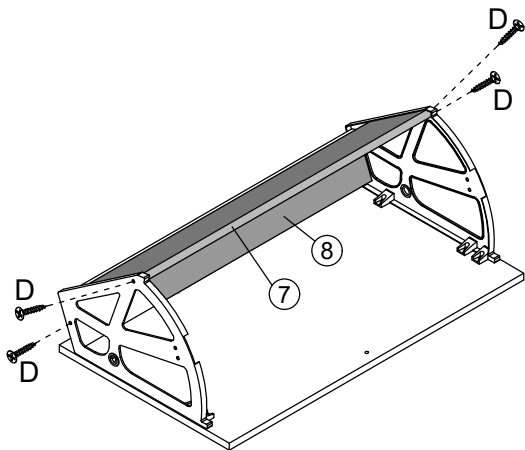
STEP 8



Force apart #9 & #10 gently, then put #7 & #8 between them.

x 3

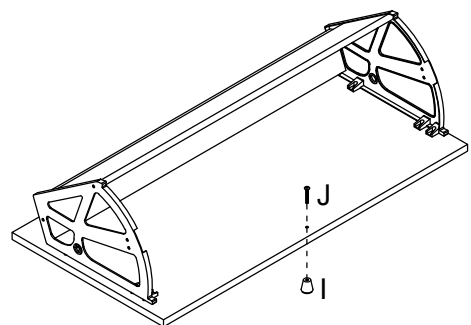
STEP 9



x 3

D x 12PCS

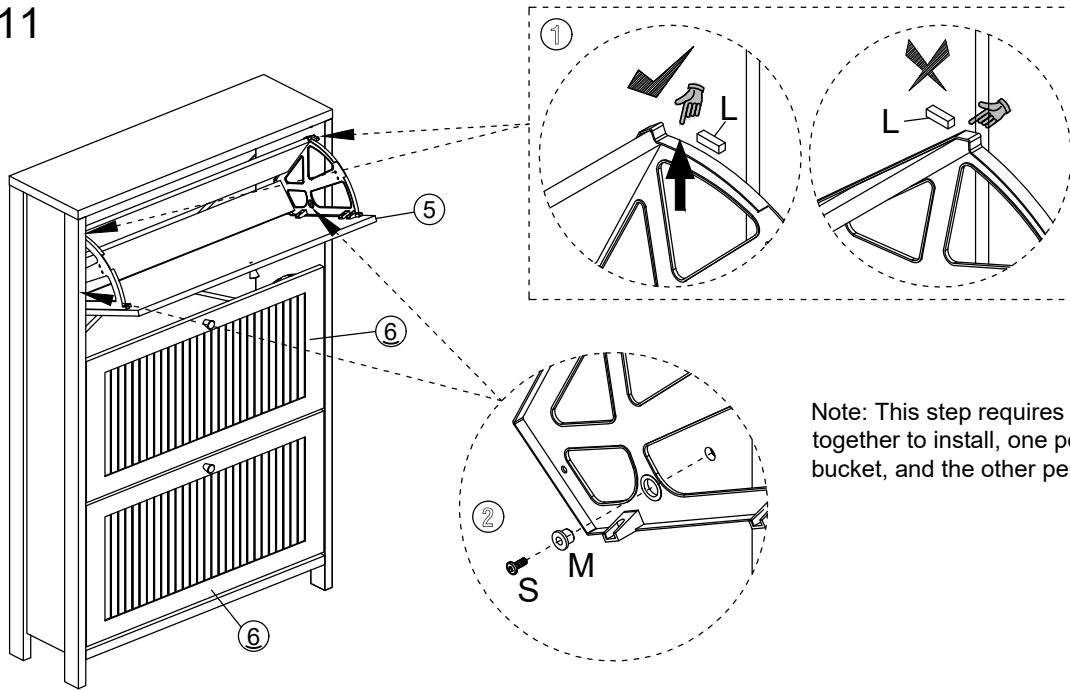
STEP 10



x 3

I x 3PCS | J x 3PCS

STEP 11

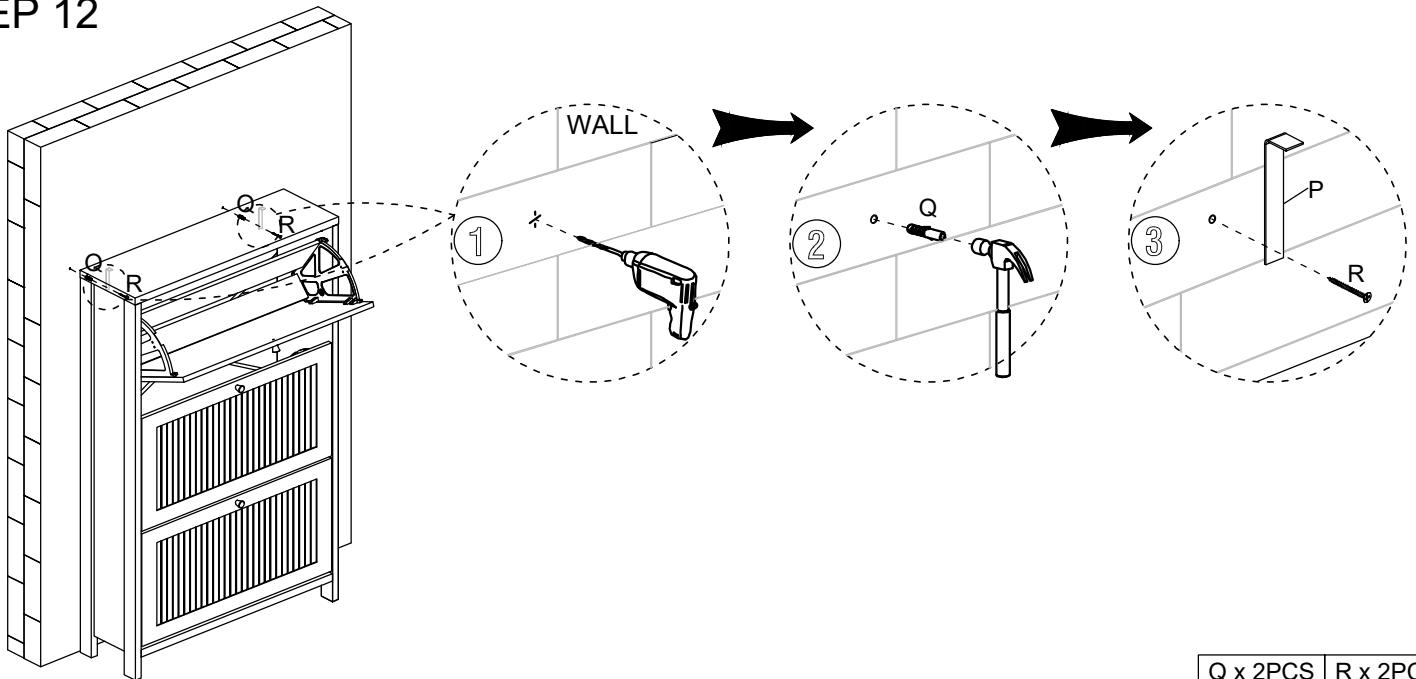


Note: This step requires two people to work together to install, one person holds the shoe bucket, and the other person installs the screws.

x 3

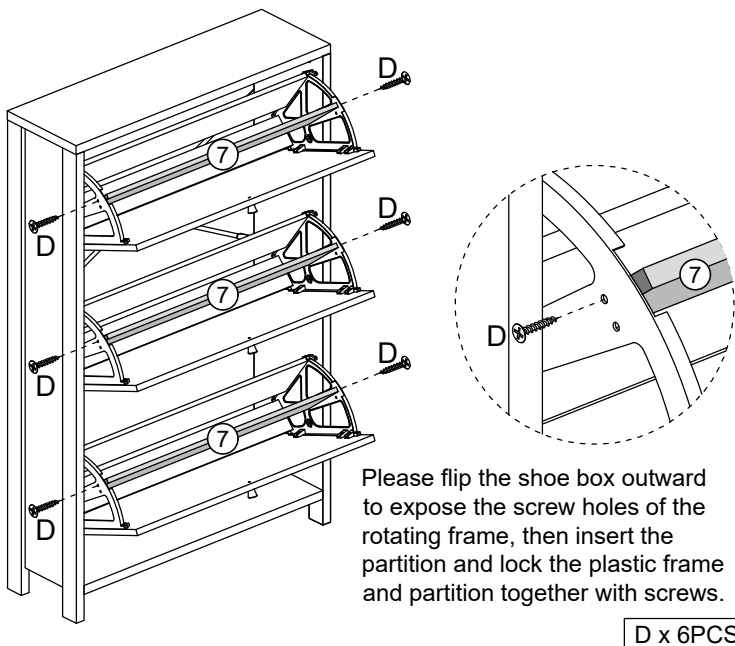
S x 6PCS M x 6PCS

STEP 12



Q x 2PCS R x 2PCS

STEP 13



Please flip the shoe box outward to expose the screw holes of the rotating frame, then insert the partition and lock the plastic frame and partition together with screws.

D x 6PCS

STEP 14

Finished.

