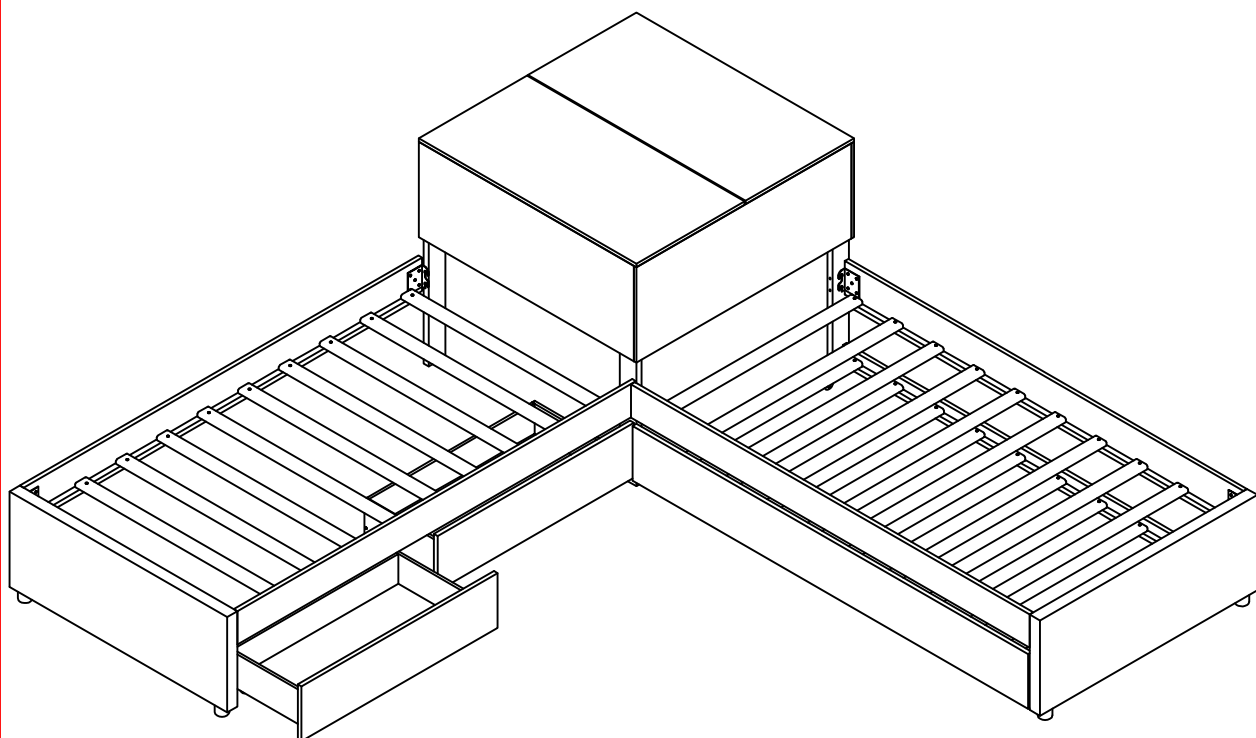
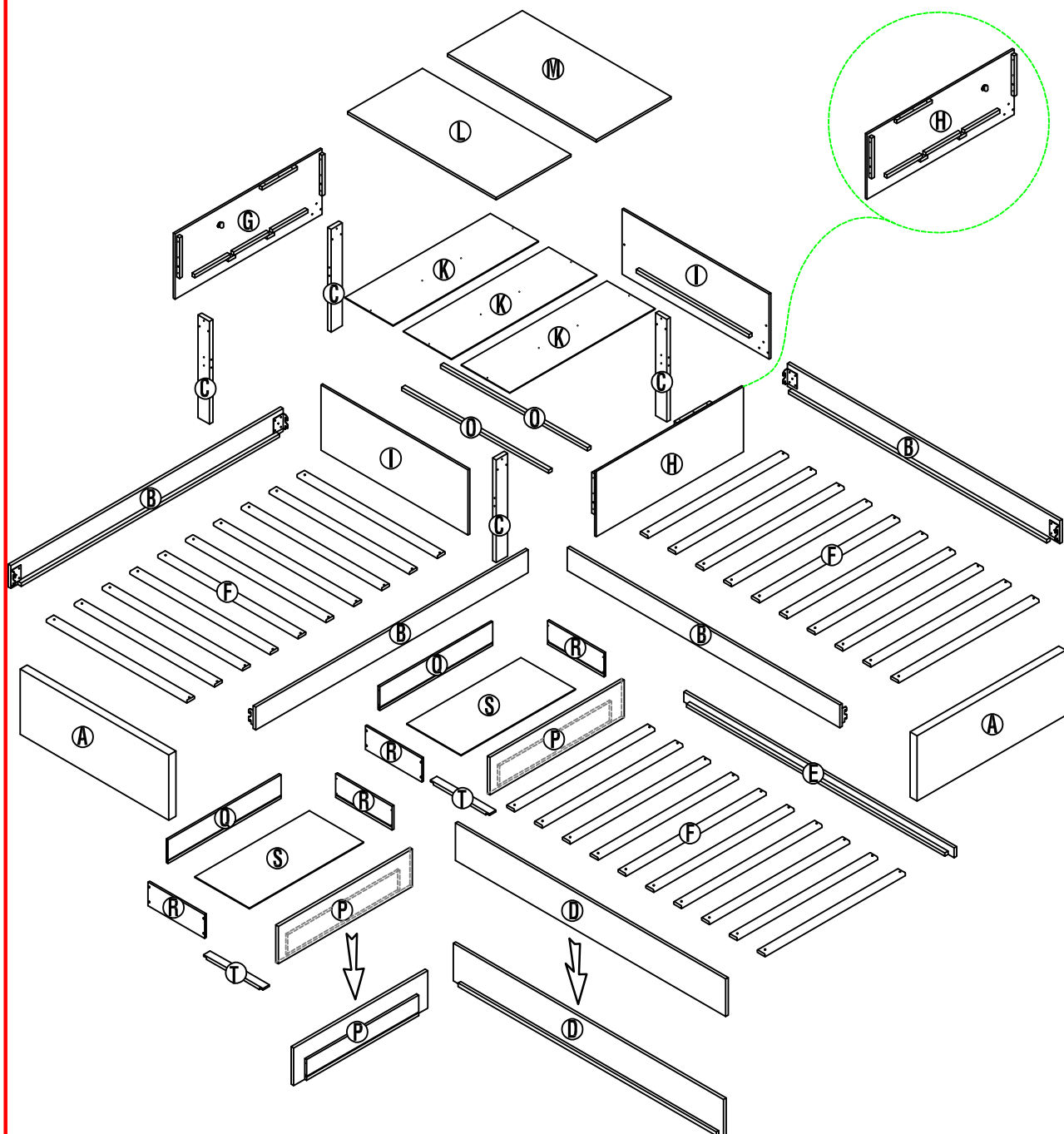


ASSEMBLY INSTRUCTION

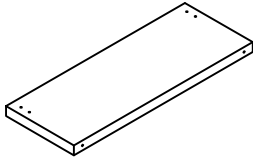


ASSEMBLY INSTRUCTION



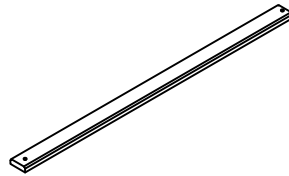
Part List

A



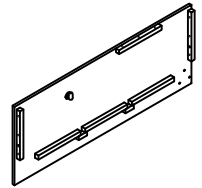
FB Frames - 2pcs

F



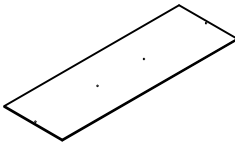
Slats - 30pcs

G



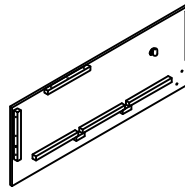
Wall Box - 1pc

K



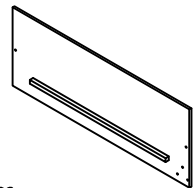
Box - Bottom Panels - 3pcs

H



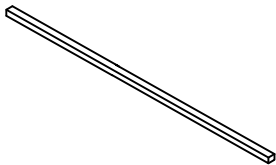
Wall Box - 1pc

I



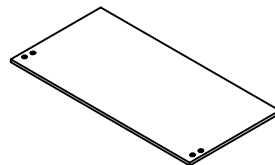
Wall Box - 2pcs

O



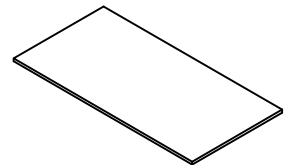
Box - Bottom Support Bar - 2pcs

L



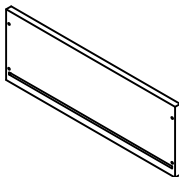
Box - Door - 1pc

M



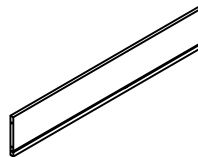
Box - Fixed Door - 1pc

R



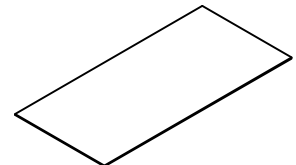
Drawers - Side Panel - 4pcs

Q



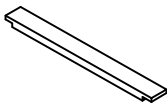
Drawers - Back Panel - 2pcs

S



Drawers - Bottom Panels - 2pcs

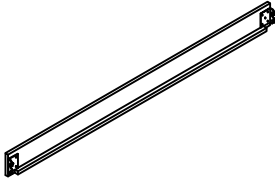
T



Drawers - Support Bottom - 2pcs

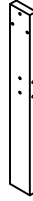
Part List

B



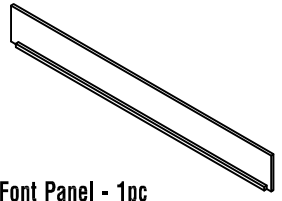
Side Rails - 4pcs

C



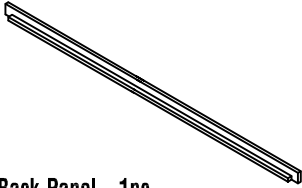
Legs Box - 4pcs

D



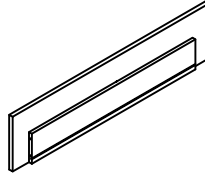
Trundle Font Panel - 1pc

E




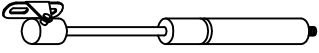



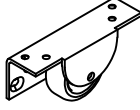

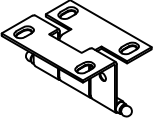




Trundle Back Panel - 1pc

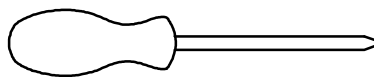
P



Drawers - Front Panel - 2pcs

Hardware List

<p>1</p>  <p>Plastic Feet(50x40) 4pcs</p>	<p>2</p>  <p>Piston(Left+right) 2pcs</p>	<p>3</p>  <p>M4 x 15 mm Wood Screws 62pcs</p>
<p>4</p>  <p>M4 x 30 mm Wood Screws 76pcs</p>	<p>5</p>  <p>M4 x 35 mm Wood Screws 18pcs</p>	<p>6</p>  <p>Wheels 12pcs</p>
<p>7</p>  <p>Steel Bracket - 3pcs</p>	<p>8</p>  <p>Hinge - 2pcs</p>	<p>9</p>  <p>Allen Key 1pc</p>
<p>10</p>  <p>1/4" x 25 mm Hex-Head bolts 16pcs</p>	<p>11</p>  <p>1/4" x 40 mm Hex-Head bolts 9pcs</p>	<p>12</p>  <p>Ø8x30 mm Wood Dowel 3pcs</p>




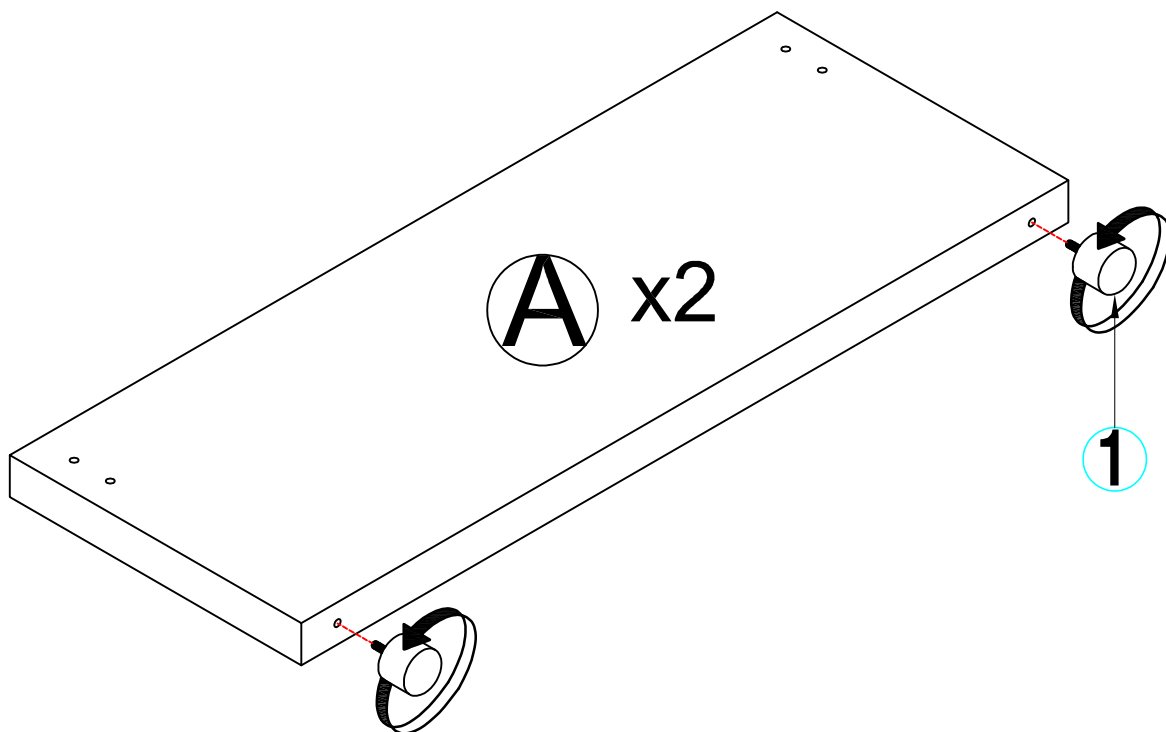
Assembly Tools Required (Not Included)

STEP 1:

Following below illustration:

Assembly Plastic Feet #1 With A(x2) FB Frames

1	
4pcs	

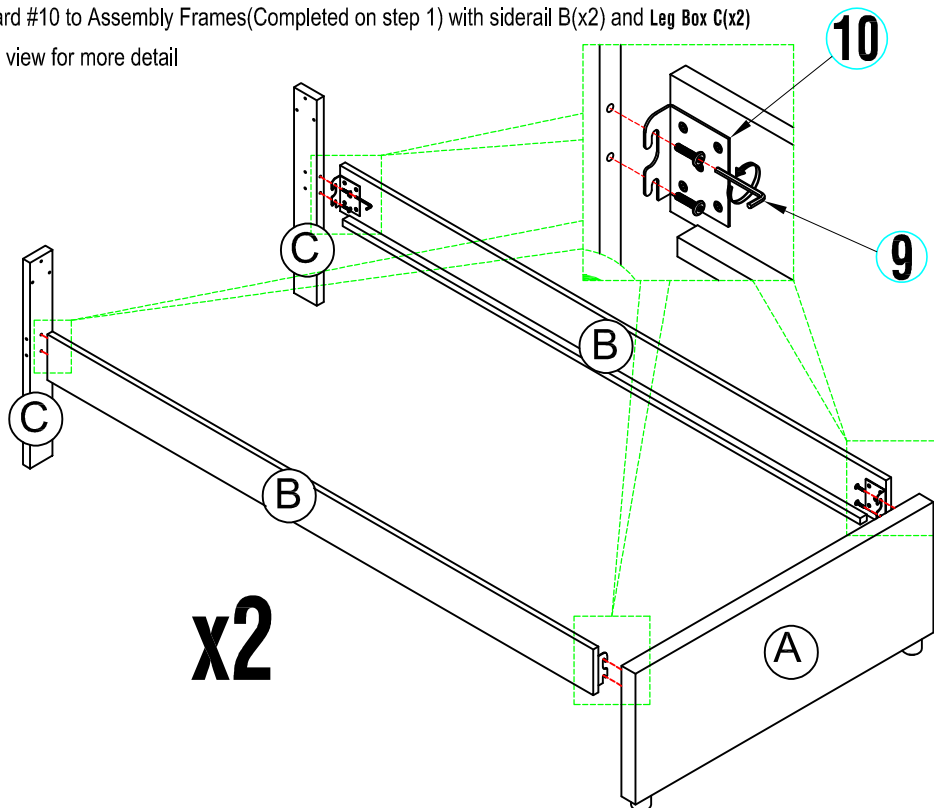


STEP 2-1:

Following below illustration:

-Using hardward #10 to Assembly Frames(Completed on step 1) with siderail B(x2) and Leg Box C(x2)

-Look at detail view for more detail



10



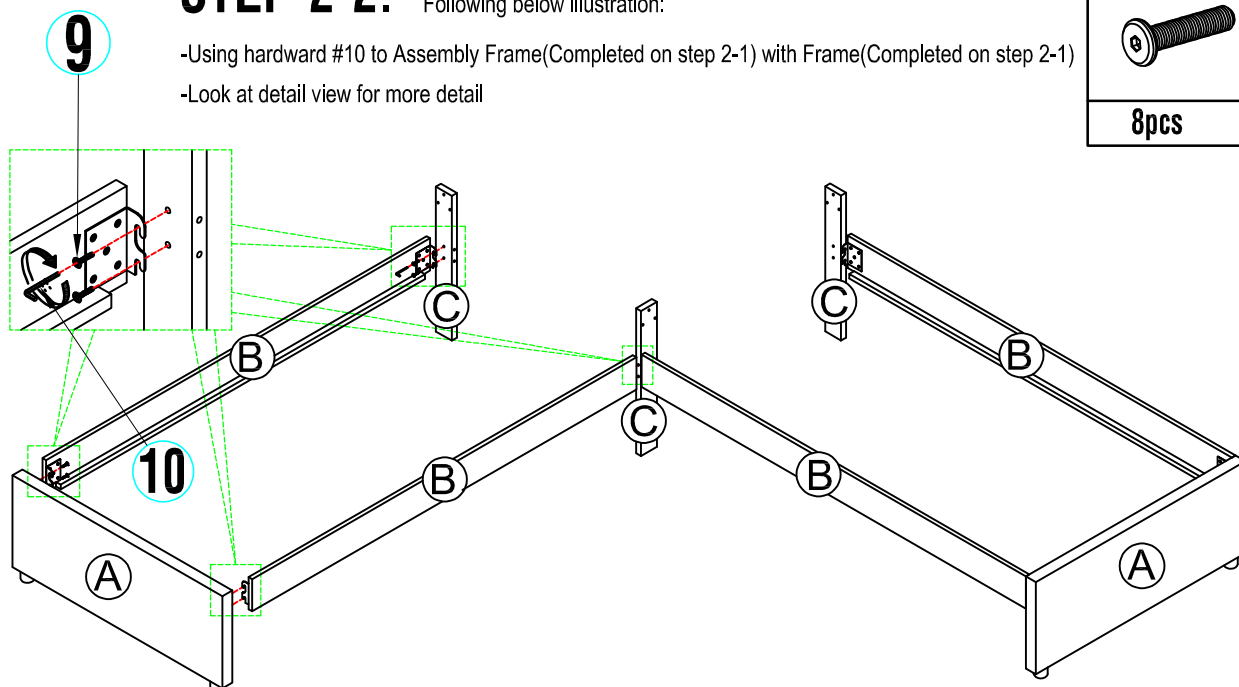
8pcs

STEP 2-2:

Following below illustration:

-Using hardward #10 to Assembly Frame(Completed on step 2-1) with Frame(Completed on step 2-1)

-Look at detail view for more detail



10



8pcs

STEP 3-1:

Following below illustration:

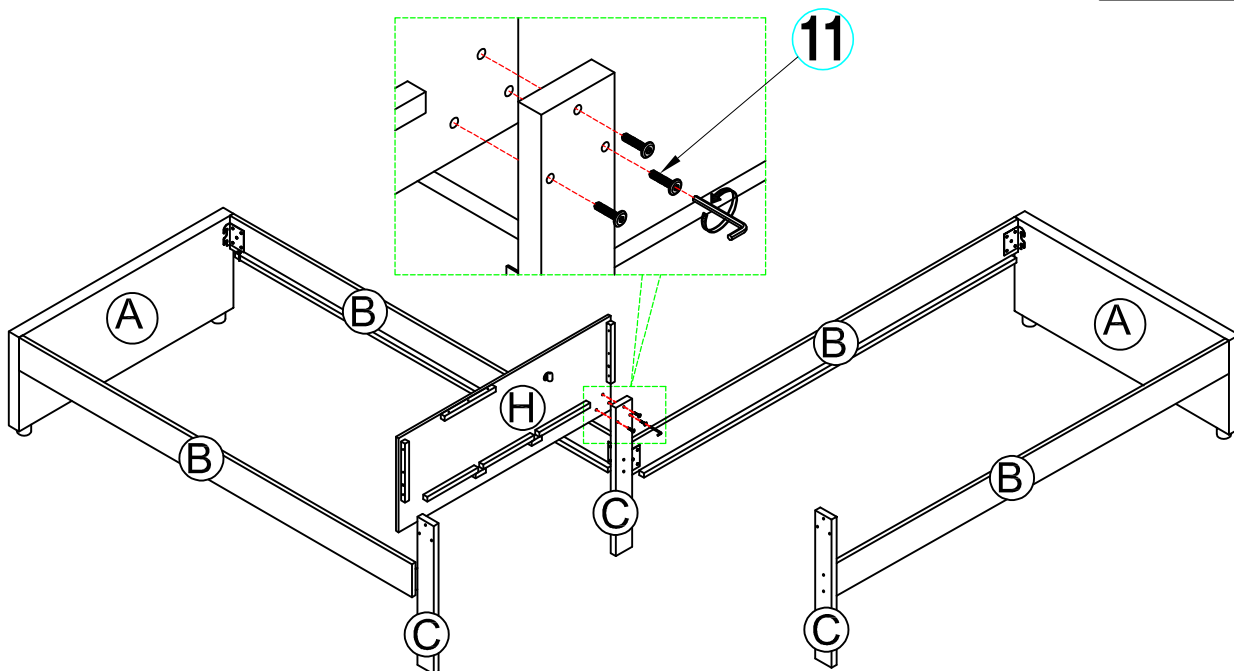
-Using hardward #11 to Assembly Frame(Completed on step 2-2) with H Frame

-Look at detail view for more detail

11



3pcs



STEP 3-2:

Following below illustration:

-Using hardward #11 and Dowel 12 to Assembly Frame(Completed on step 3-1) with I Frame

-Look at detail view for more detail

11

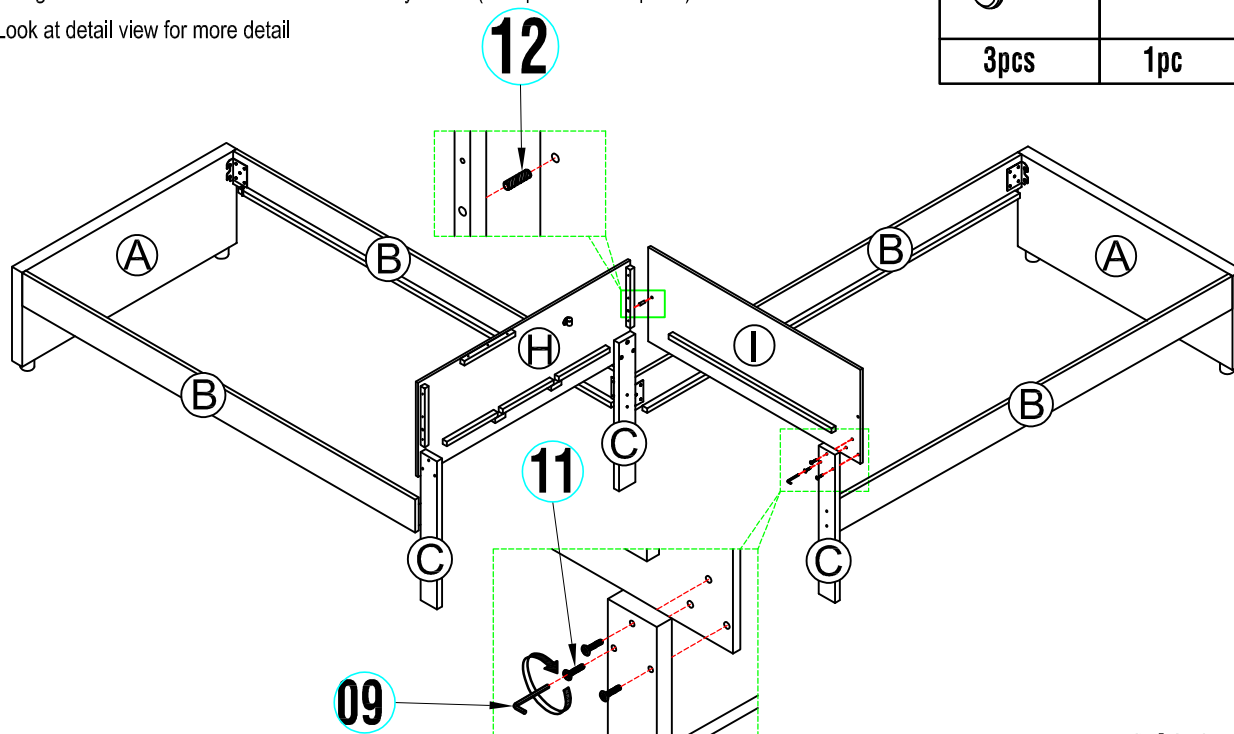


3pcs

12



1pc



09

STEP 3-3:

Following below illustration:

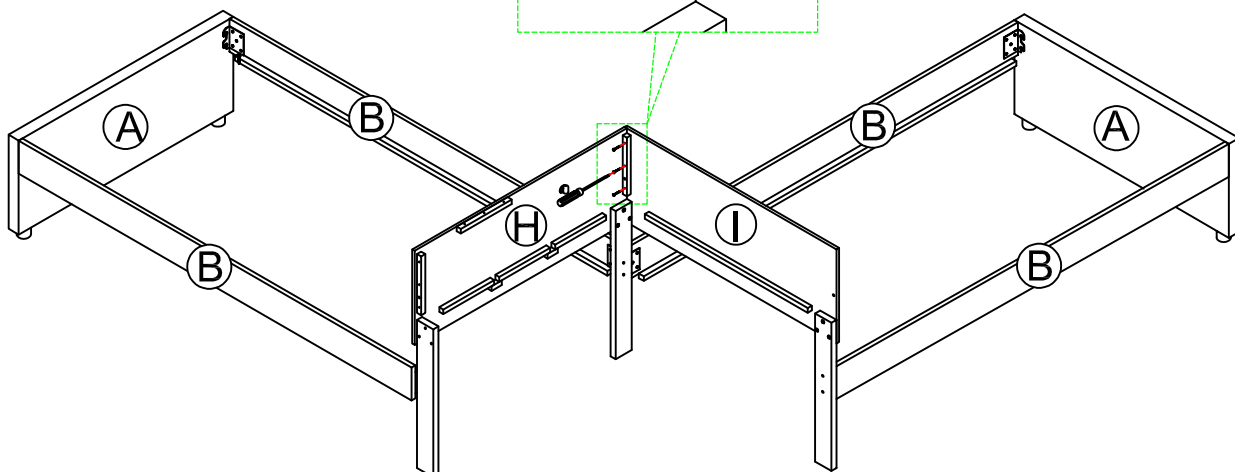
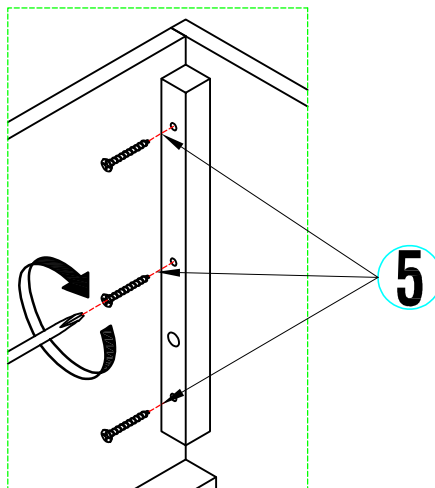
-Using hardward #4 to Assembly Frame(Completed on step 3-1) with I Frame

-Look at detail view for more detail

5



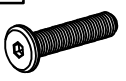
3pcs

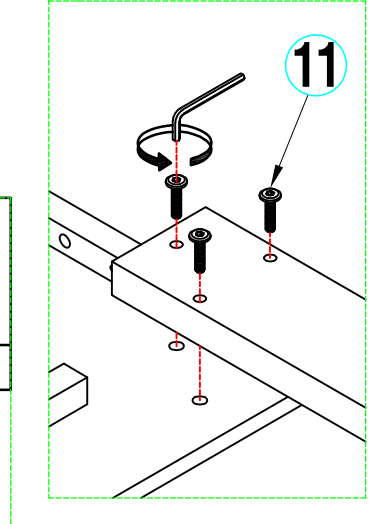
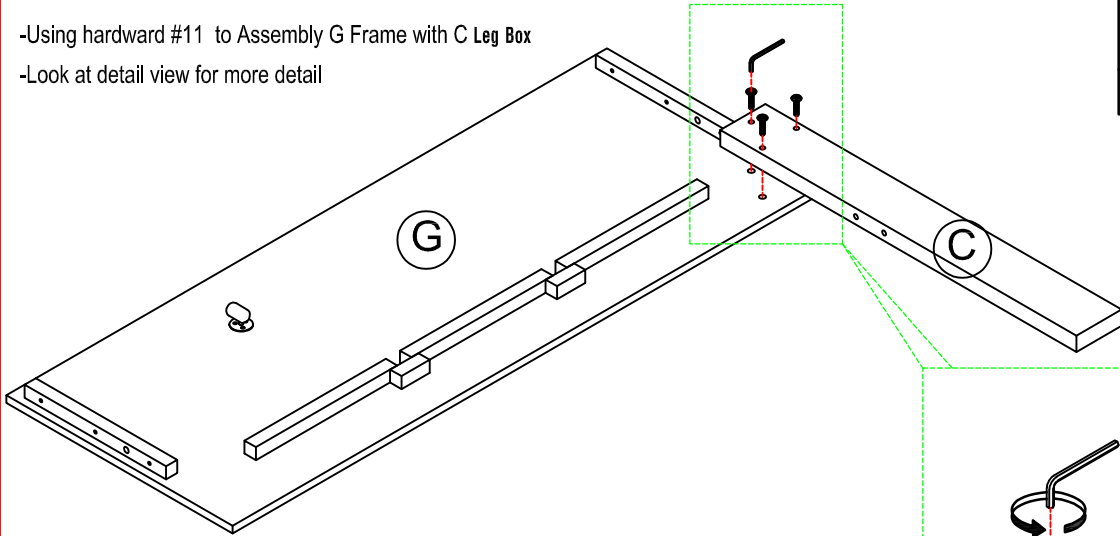


STEP 4:

Following below illustration:

- Using hardware #11 to Assembly G Frame with C Leg Box
- Look at detail view for more detail



11	
3pcs	

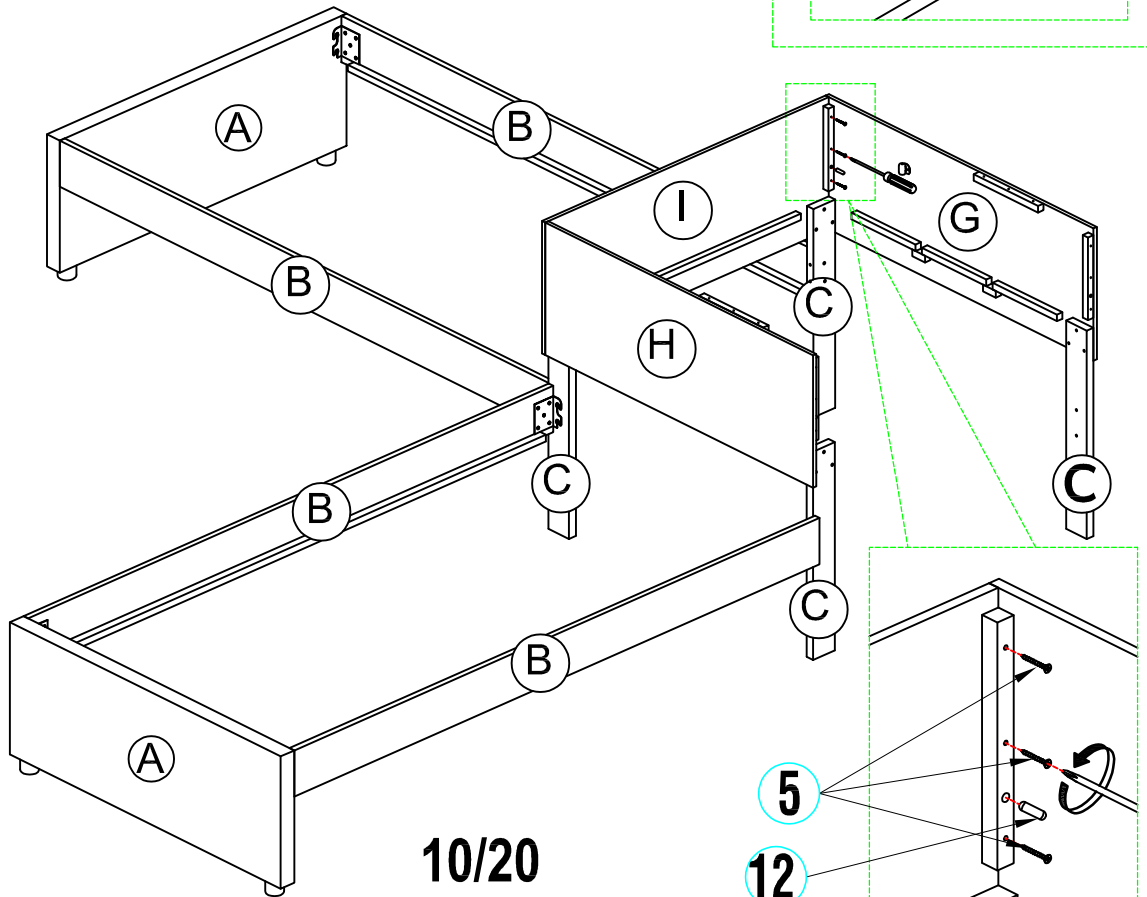


STEP 5:

Following below illustration:

- Using hardware #4 and Dowel 12 to Assembly Frame (Completed on step 3-3) With Frame (Completed on step 4)
- Look at detail view for more detail

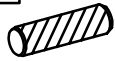

12	5
	
1pc	3pcs

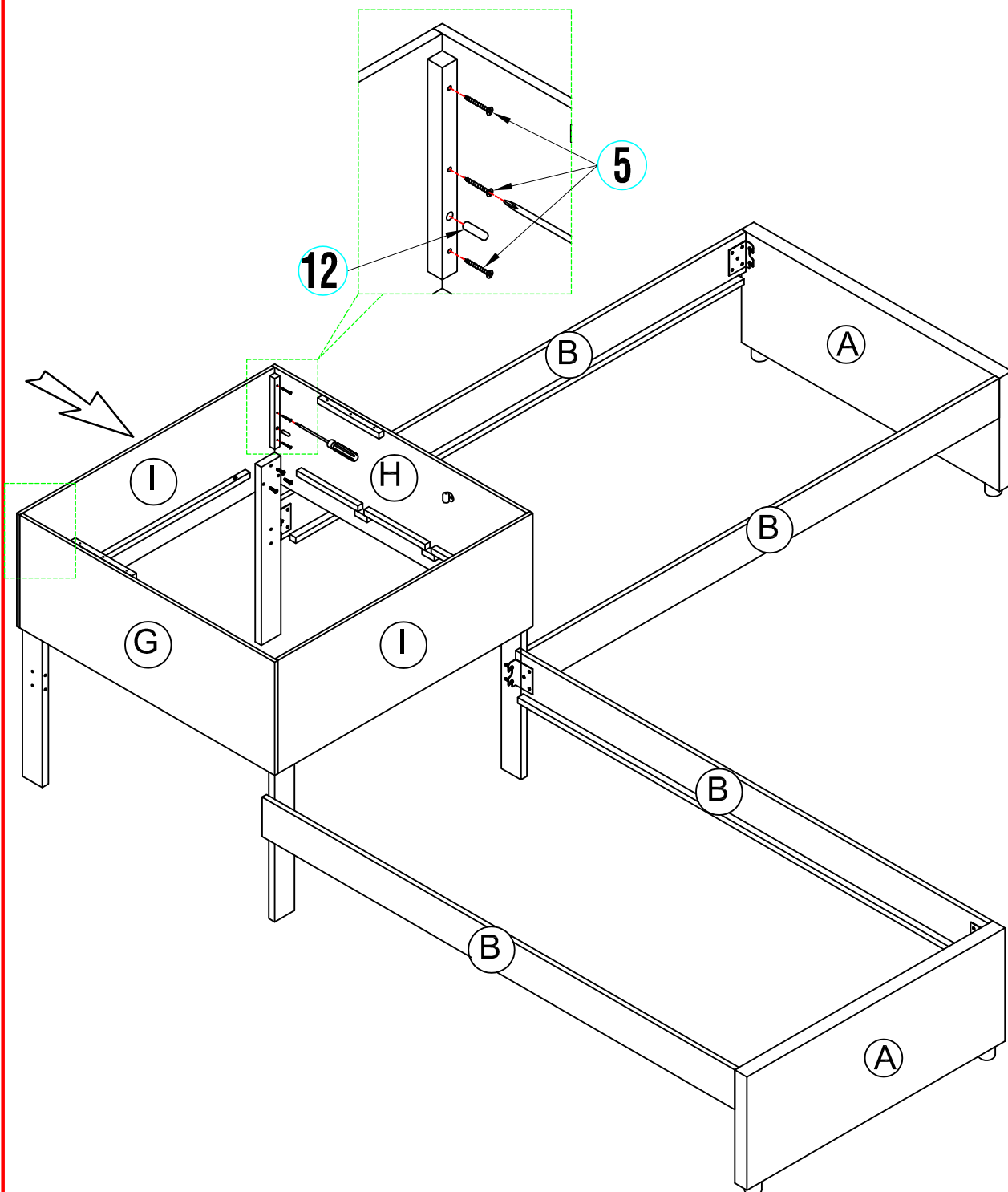


STEP 6:

Following below illustration:

-Using hardward #4 and dowel 12 to Assembly Frame (Completed on step 5) With I Frame

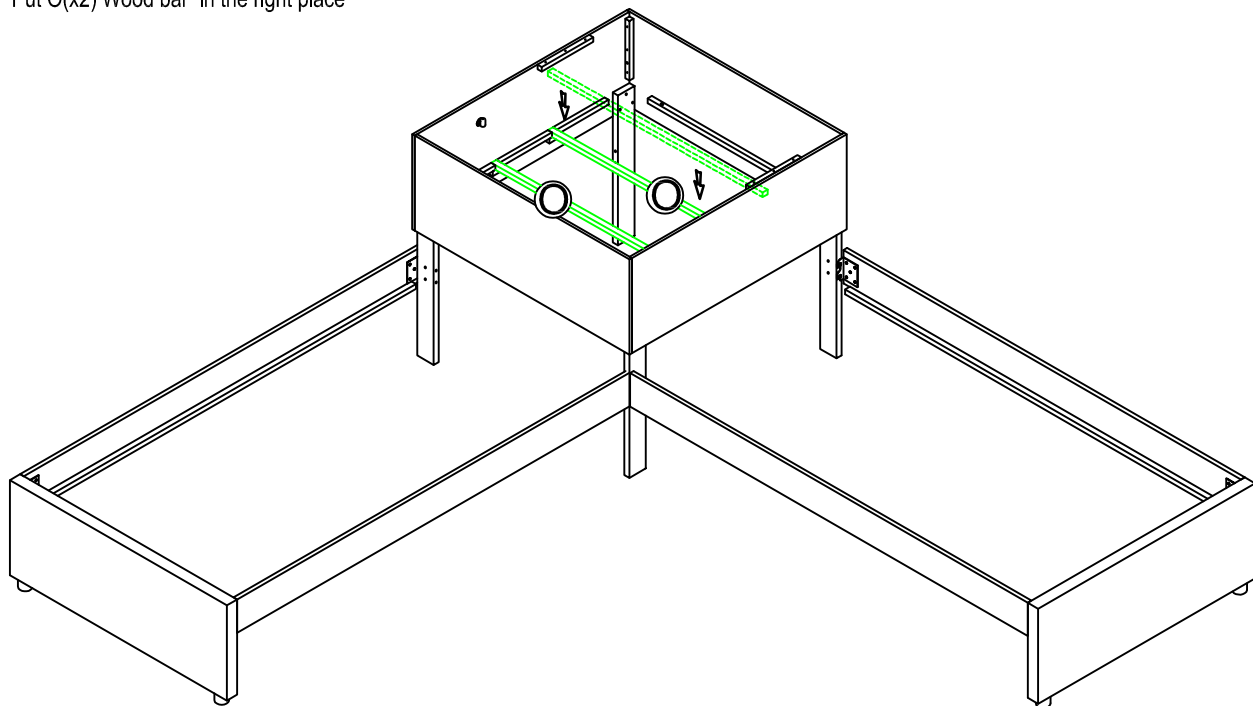
12	5
	
1pc	6pcs



STEP 7:

Following below illustration:

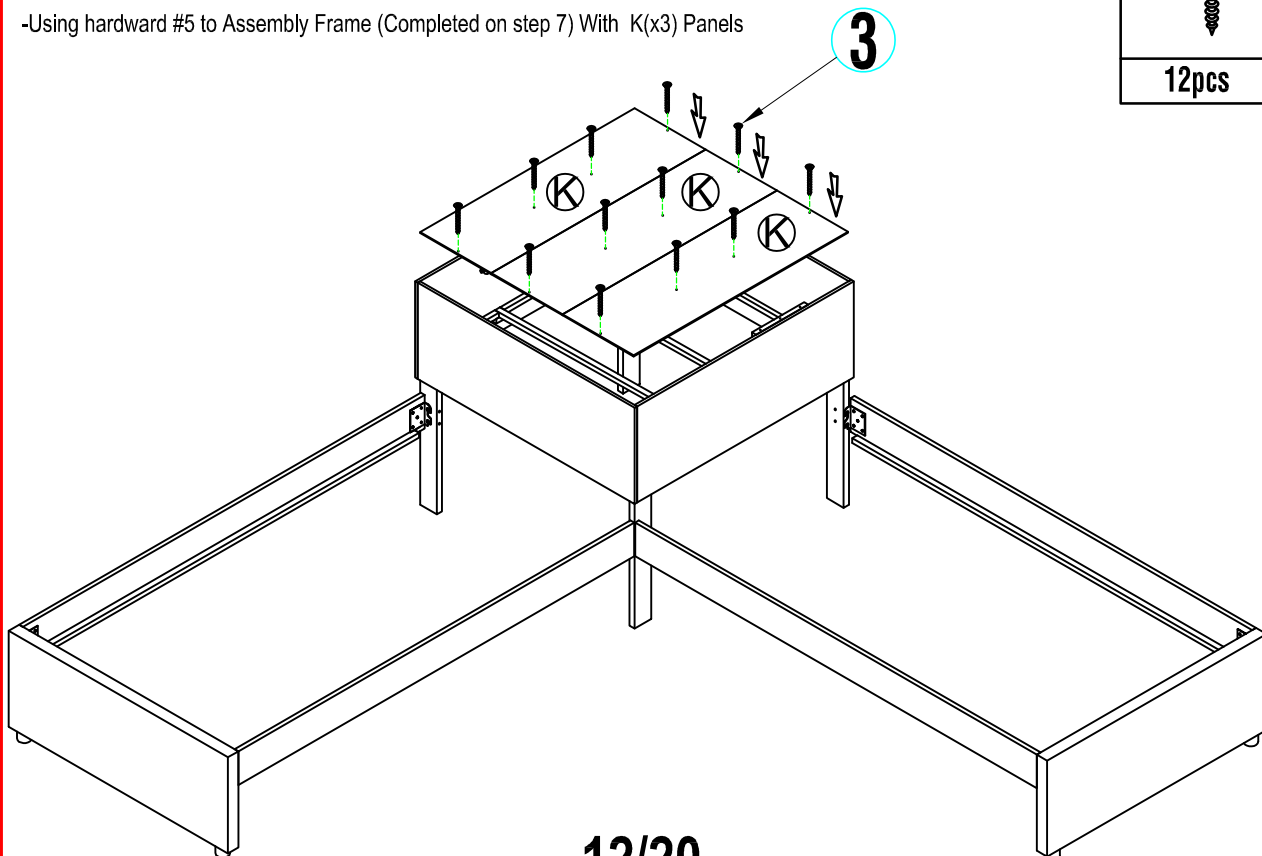
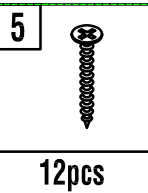
Put O(x2) Wood bar in the right place



STEP 8:

Following below illustration:

-Using hardward #5 to Assembly Frame (Completed on step 7) With K(x3) Panels

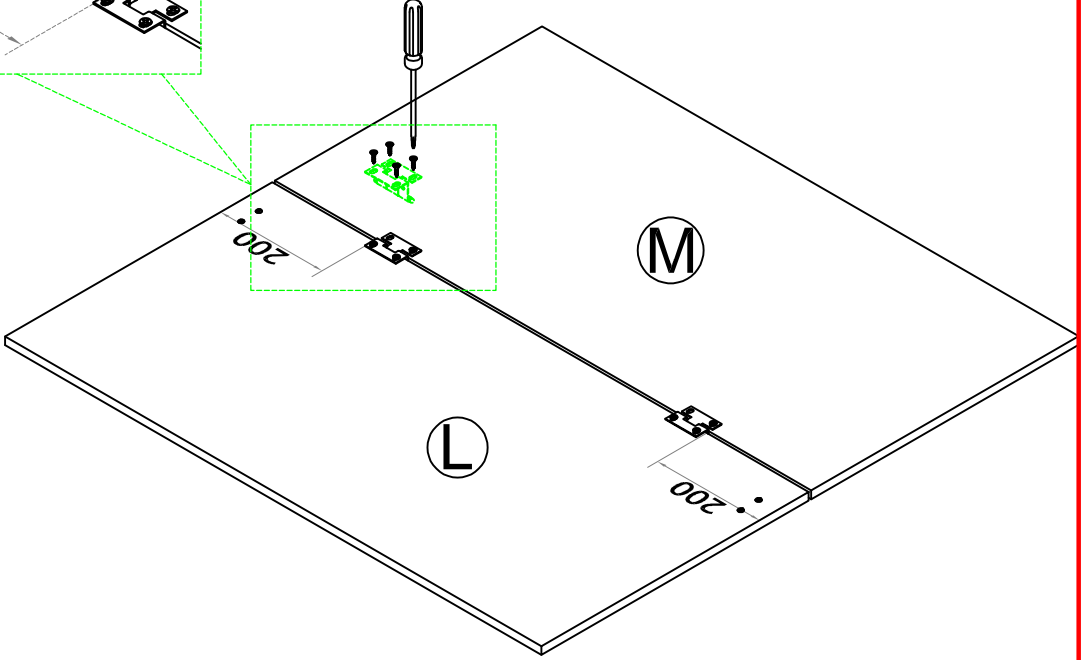
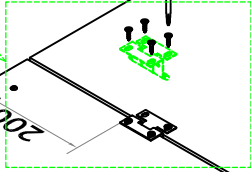
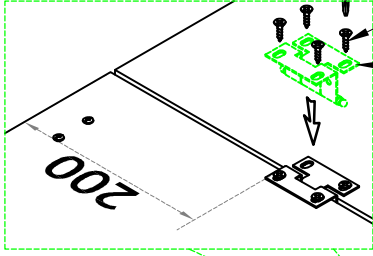


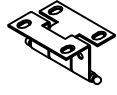

STEP 9-1:

Following below illustration:

3

8



8	3
	
2pcs	8pcs

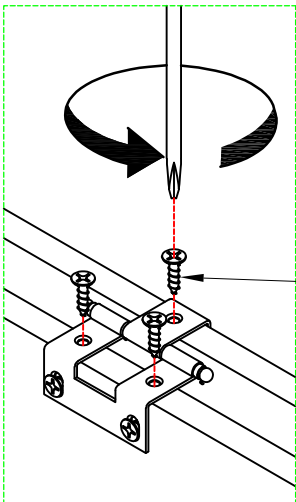
STEP 9-2:

Following below illustration:

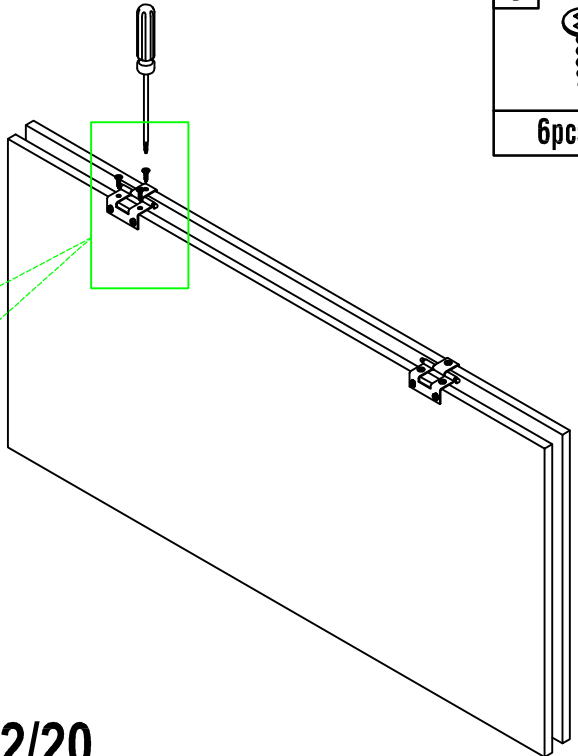
3



6pcs



3



STEP 10:

Following below illustration:

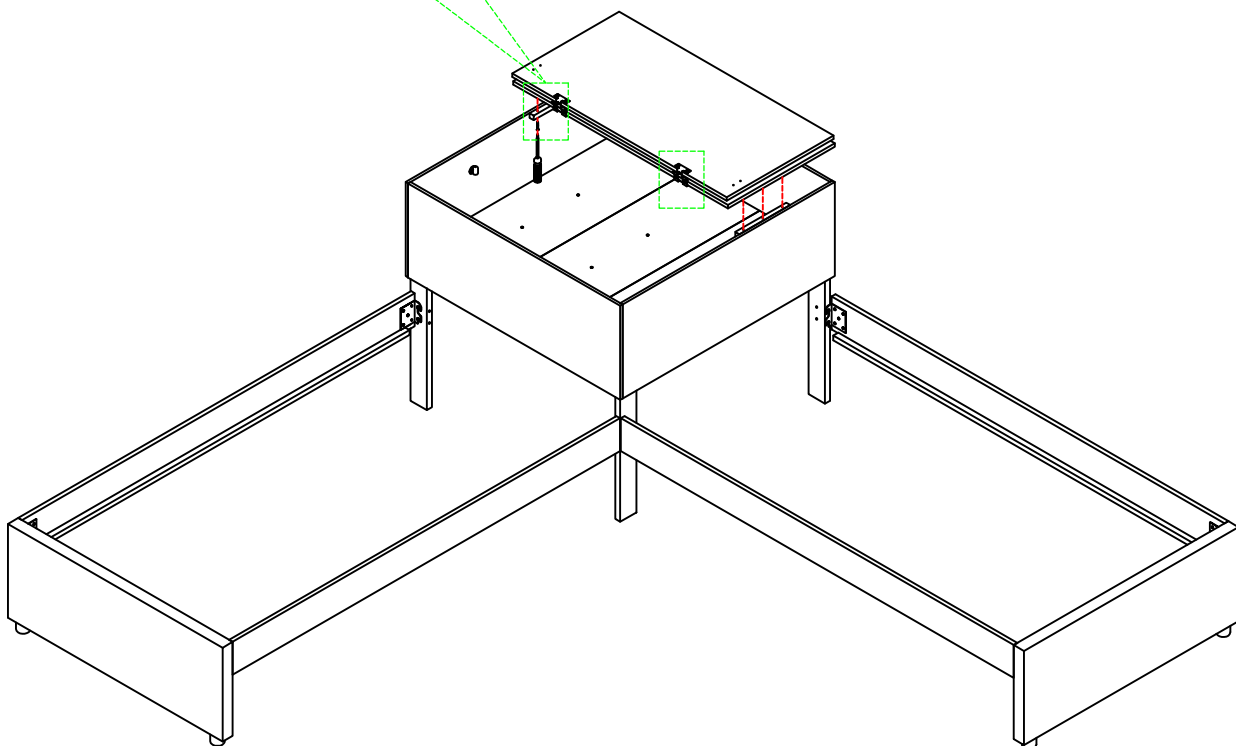
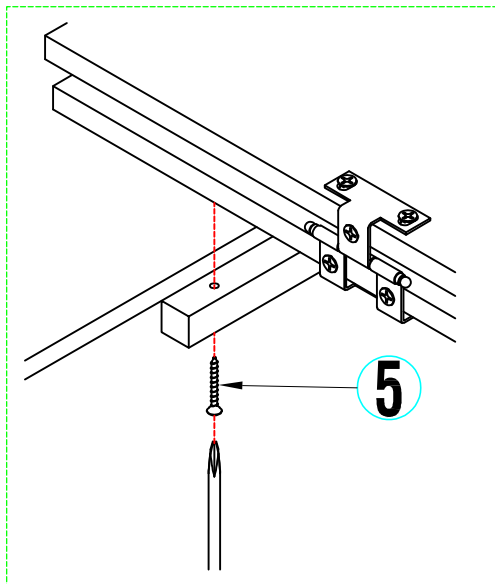
-Using hardward #4 to Assembly Frame(Completed on step 9-2) With Frame(Completed on step 8)

-Look at detail view for more detail

5

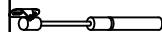


2pcs

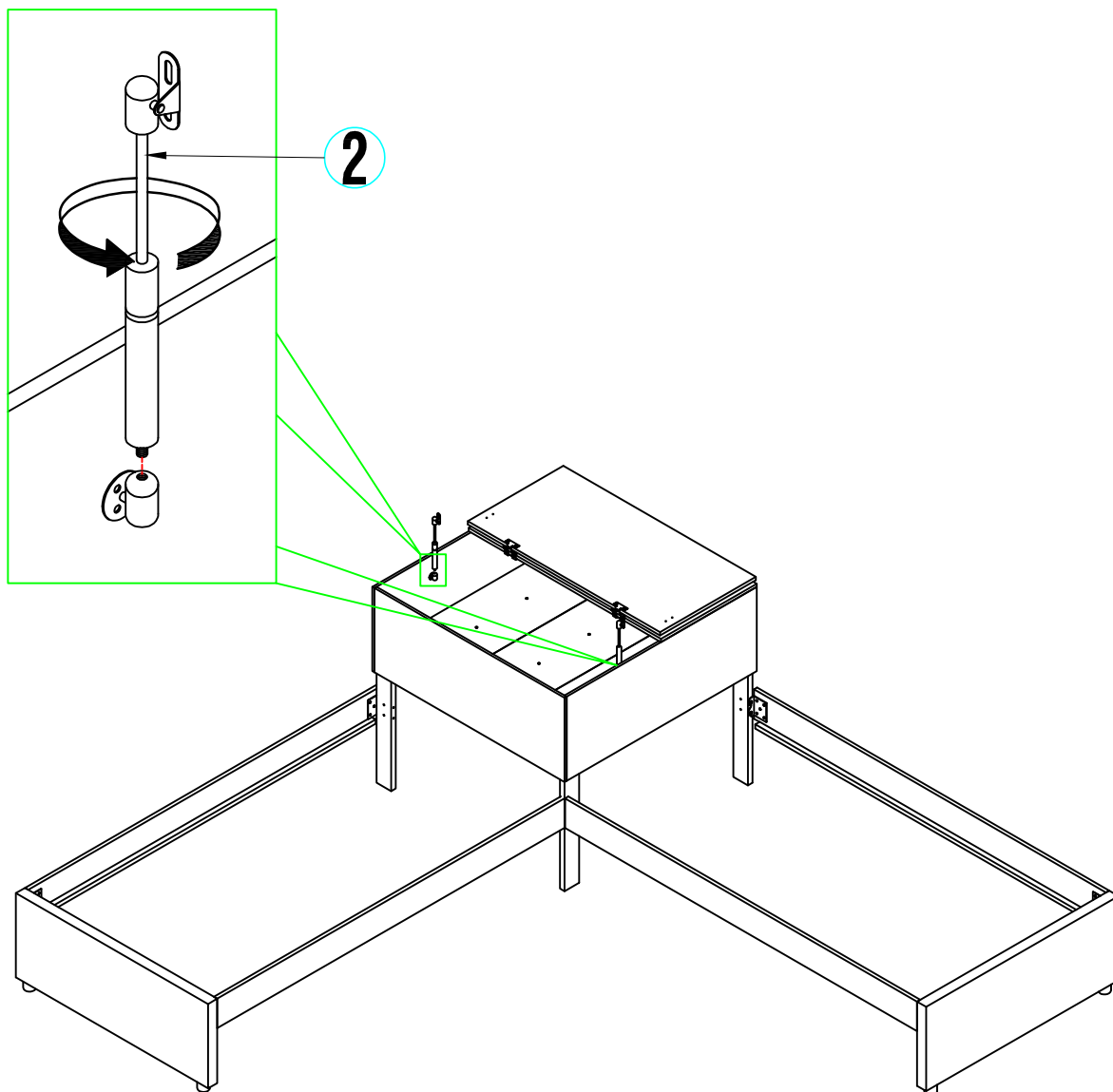


STEP 11: Following below illustration:

2



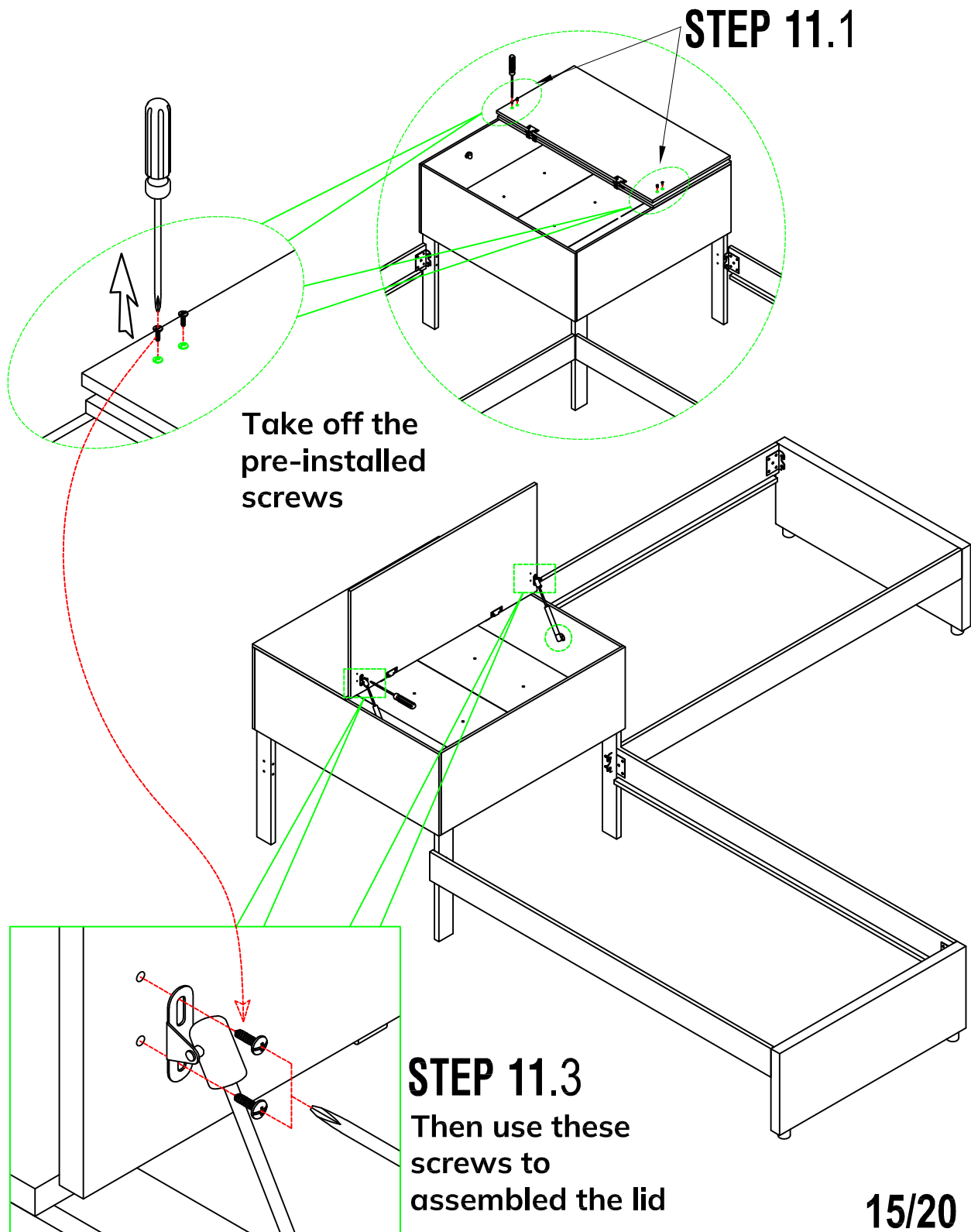
2pcs



STEP 11:

Following below illustration:

- Disassemble hardward #3(Step 11.1)
- Using hardward #3 to Assembly hardward #2 With Frame(Completed on step 10):Step11.3
- Look at detail view for more detail



STEP 12:

Following below illustration:

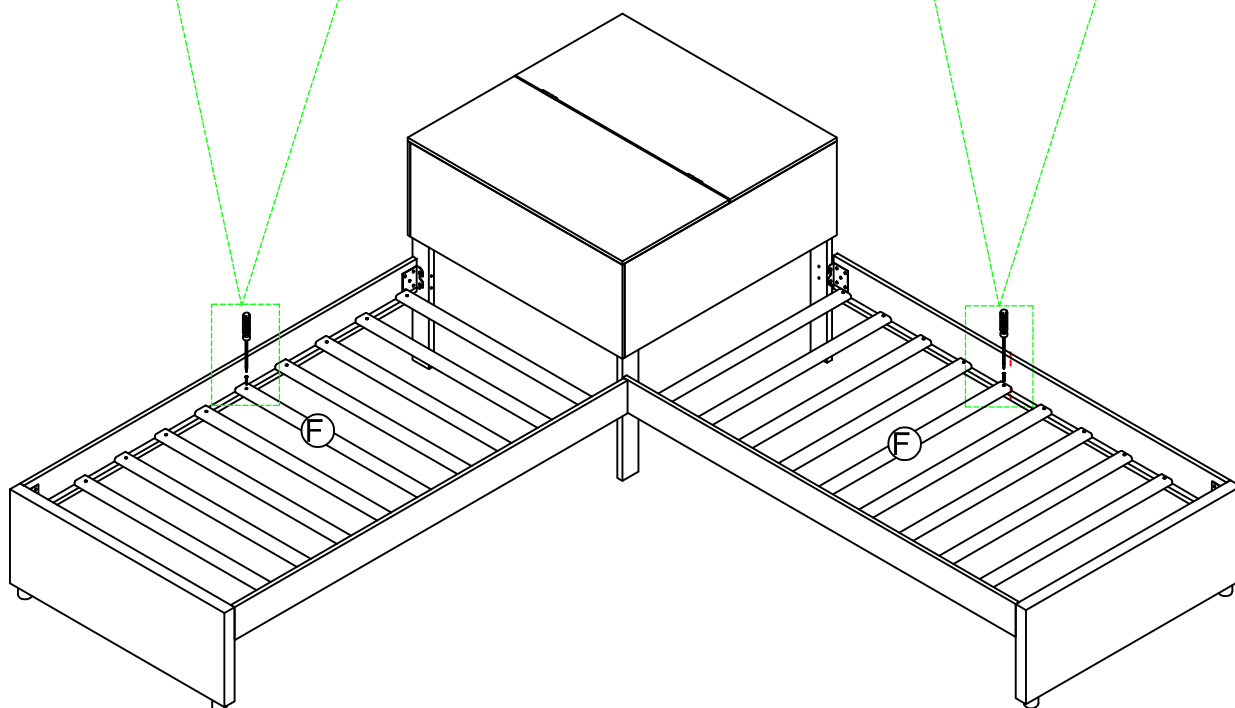
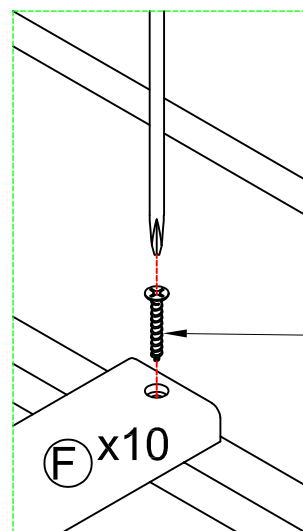
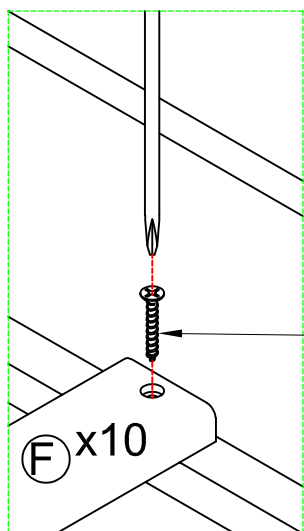
-Using hardward #4 to Assembly 20 Slat F With Frame(Completed on step 11)

-Look at detail view for more detail

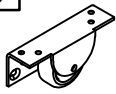

4

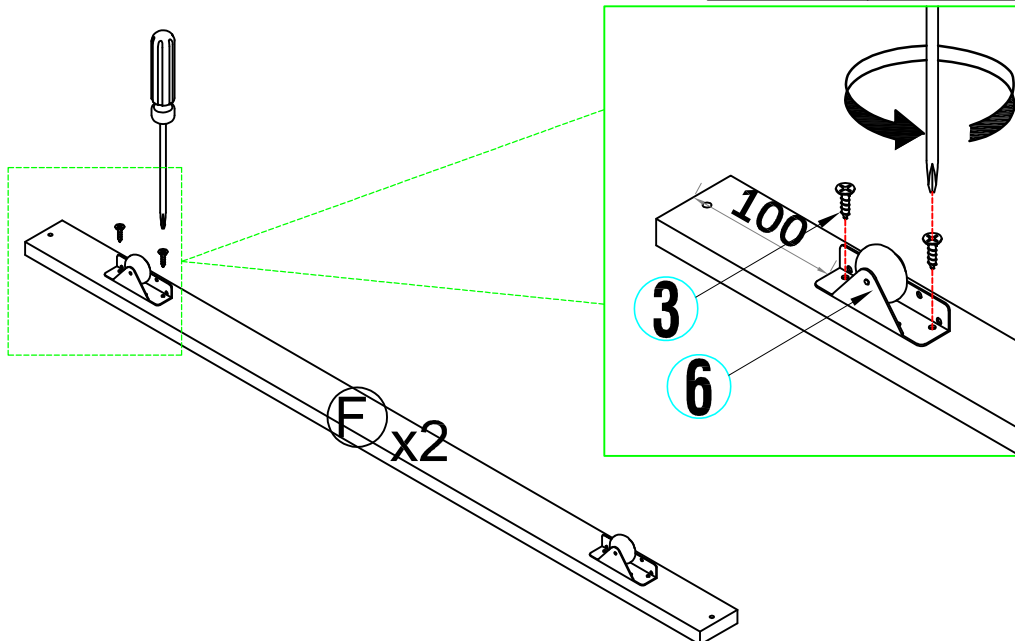





40pcs

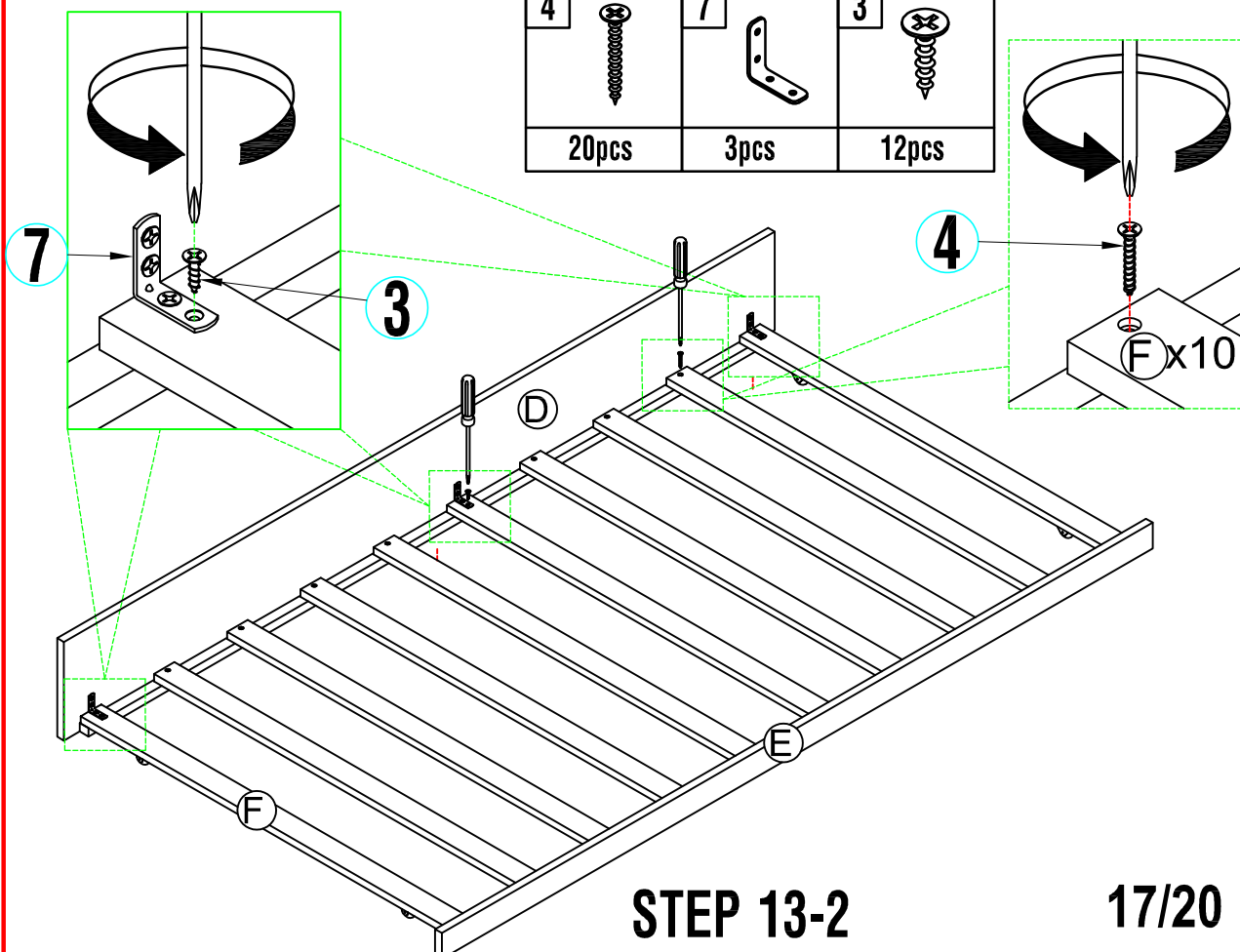


STEP 13-1:

6		3	
4pcs		8pcs	




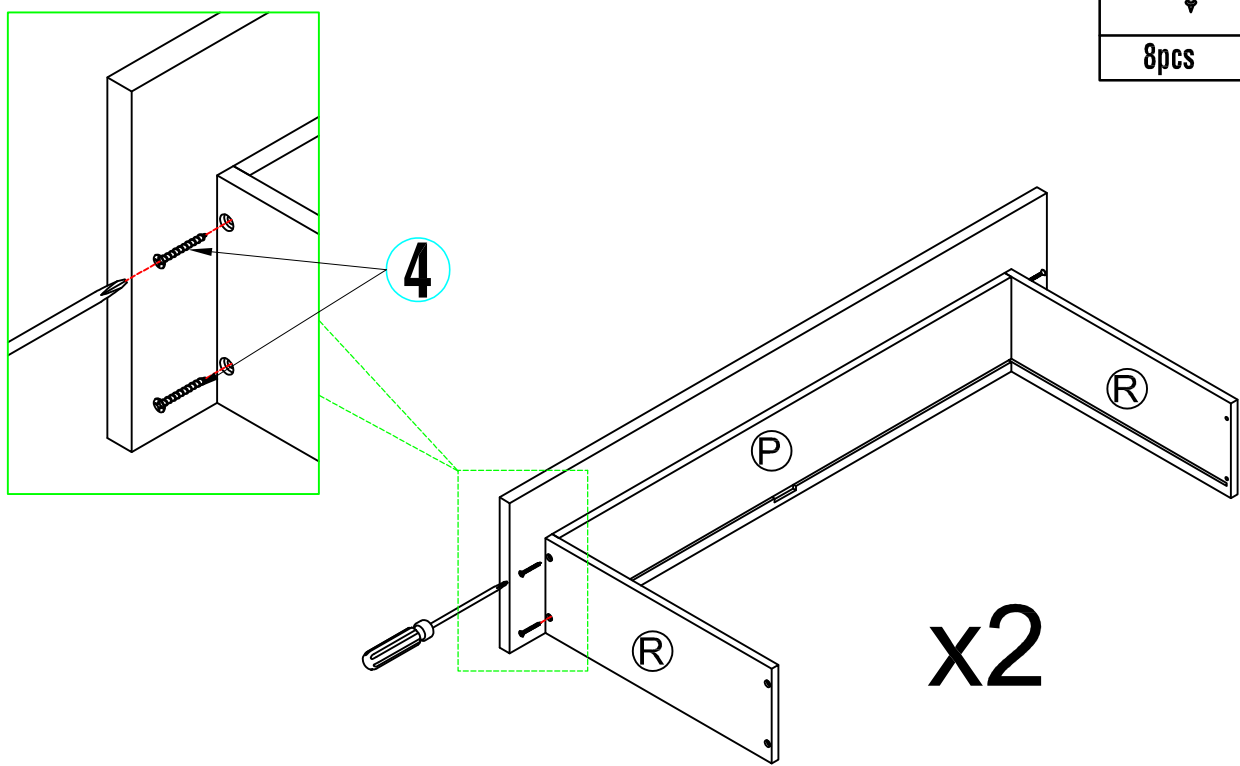
4		7		3	
20pcs		3pcs		12pcs	



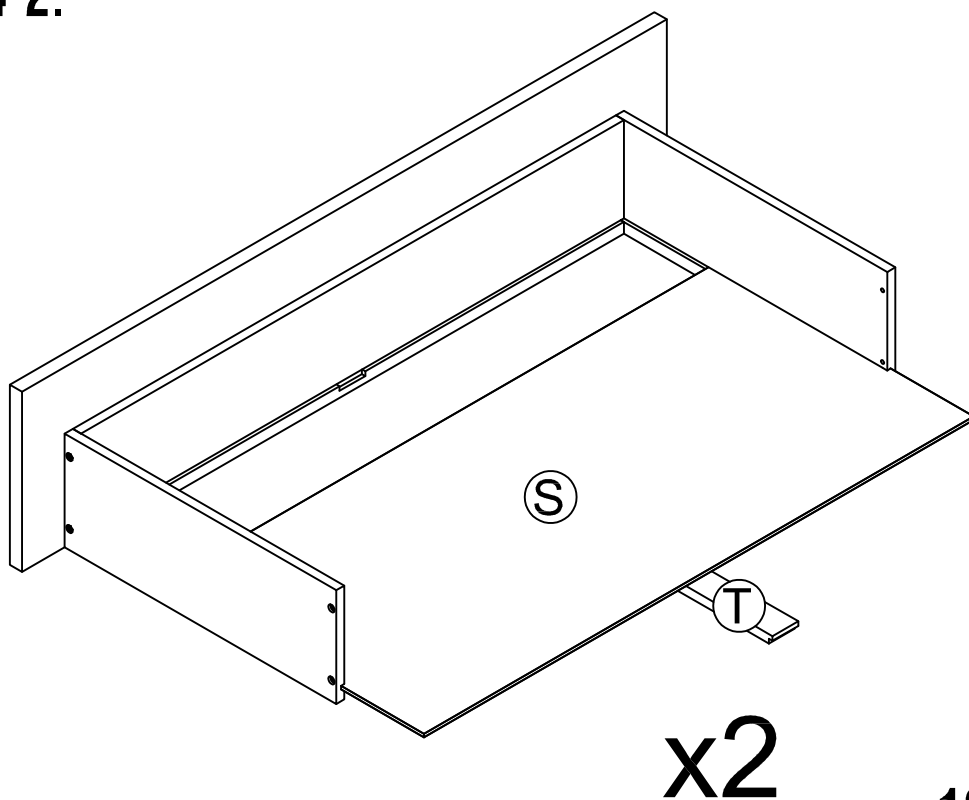
STEP 13-2

STEP 14-1:

4	
8pcs	

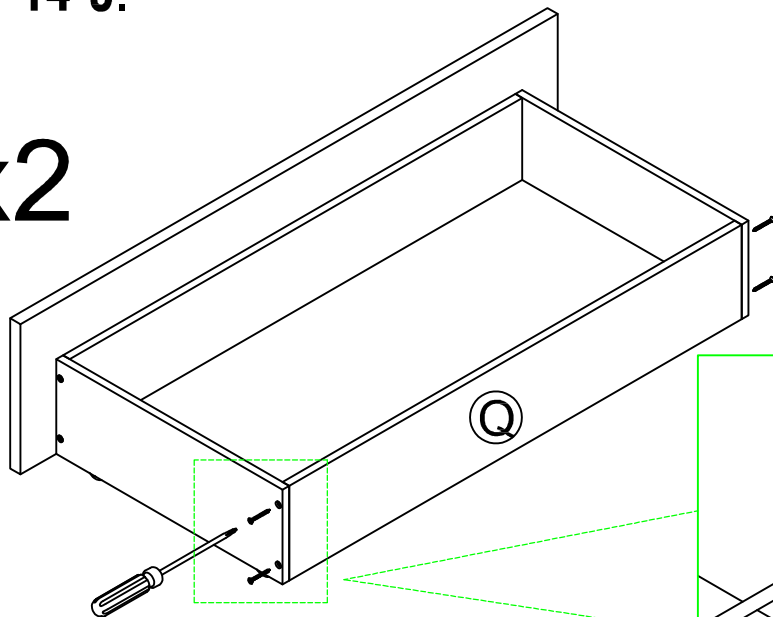



STEP 14-2:

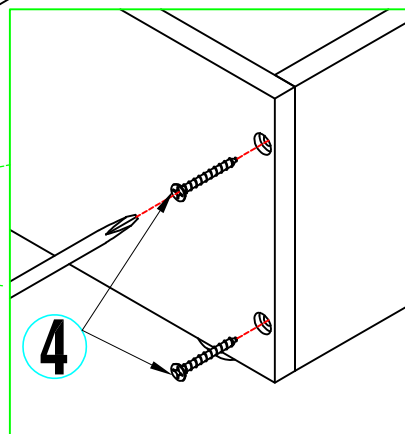


STEP 14-3:

x2

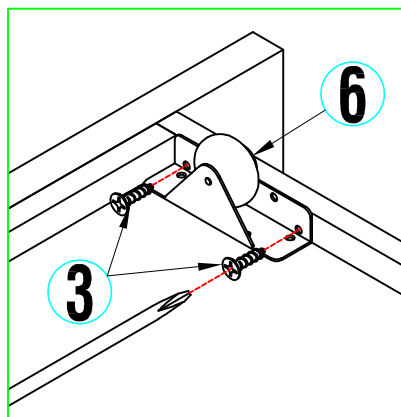




4	
8pcs	

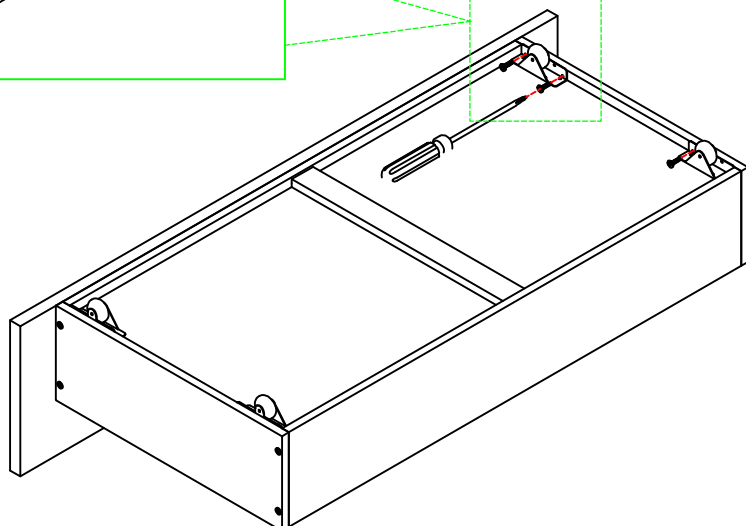


STEP 14-4:

x2



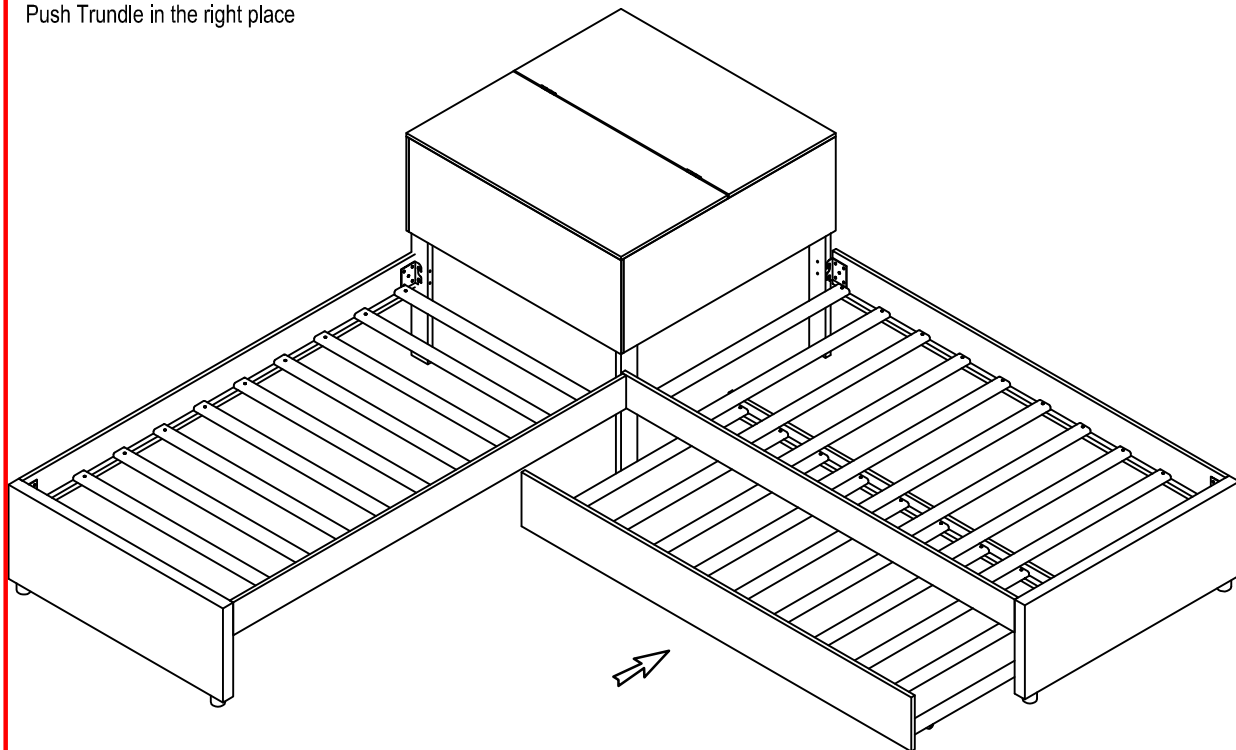
6		3	
8pcs		16pcs	



STEP 15-1:

Following below illustration:

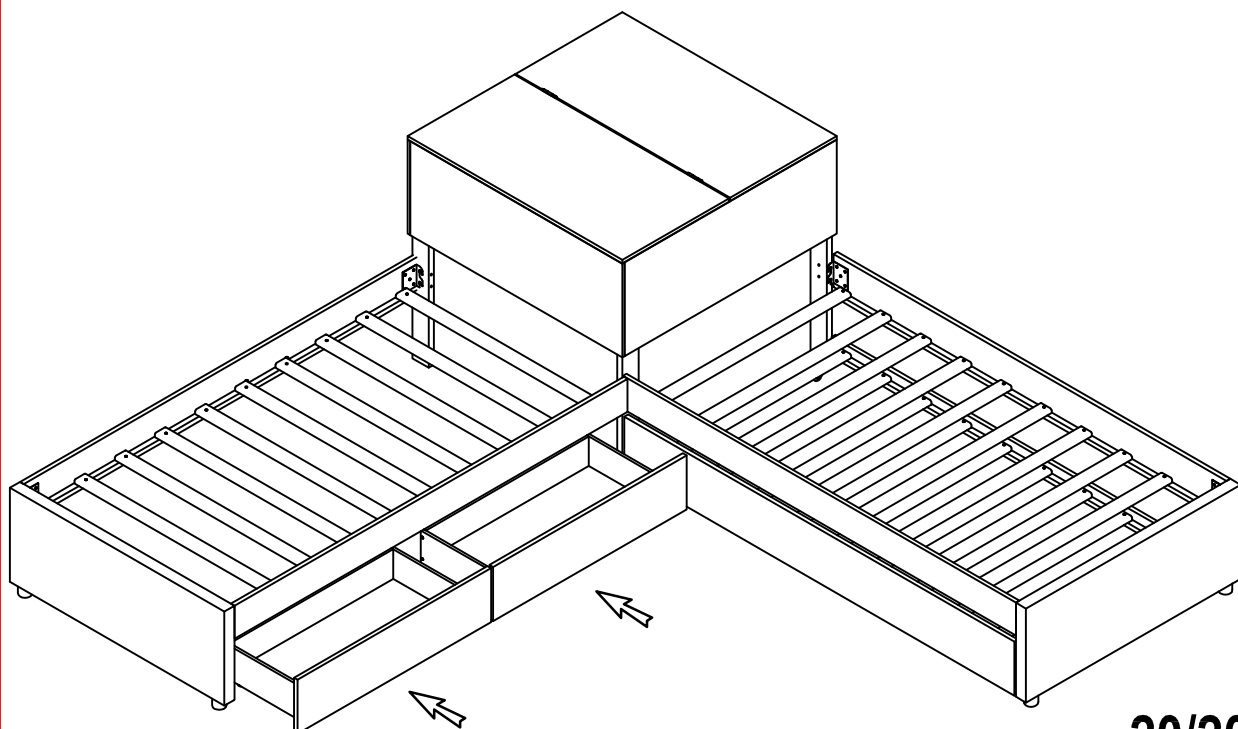
Push Trundle in the right place



STEP 15-2:

Following below illustration:

Push 2 Drawer in the right place



FINISH

