

ASSEMBLY INSTRUCTIONS



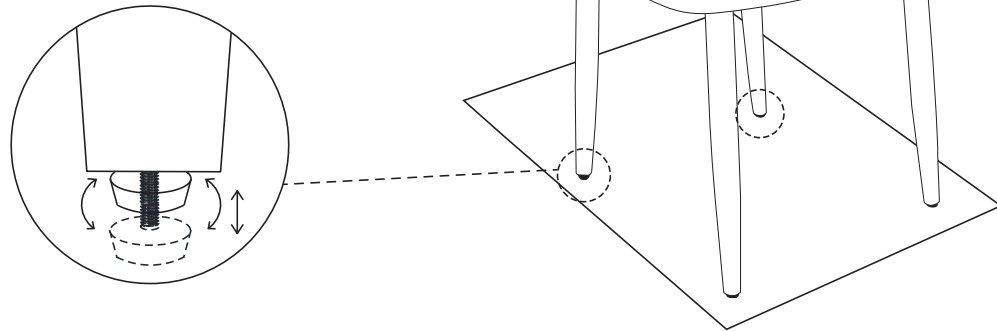
Be sure to keep spare parts.

If screws or nails of a product are damaged or lost,
or screws or nails of a subsequent product are
damaged or aged, spare parts can be used to replace them.

SPARE PARTS

Adjust to horizontal

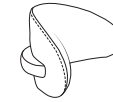
If the mounting back foot is still unstable, adjust the back leg peg to adjust



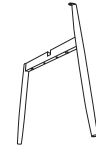
Rear foot adjustable, front foot not adjustable



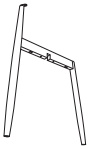
Ax1



Bx1



Cx1



Dx1



**M8x50MM
Ex1**



**M6x20MM
Fx6+1extra**



**M6x60MM
Gx4+1extra**



Hx4+1extra



Ix4+1extra



Jx1

1

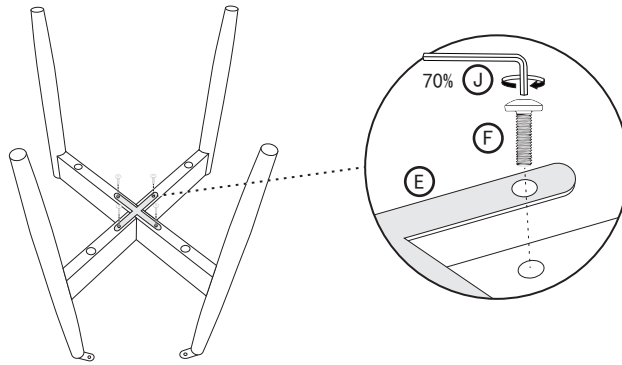
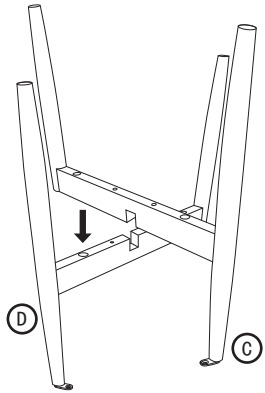
Cx1



Dx1



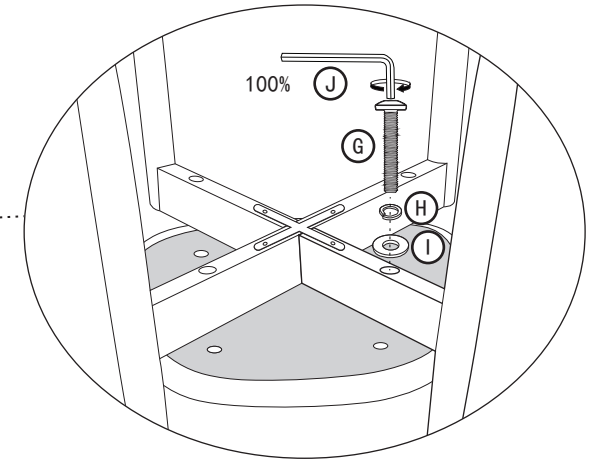
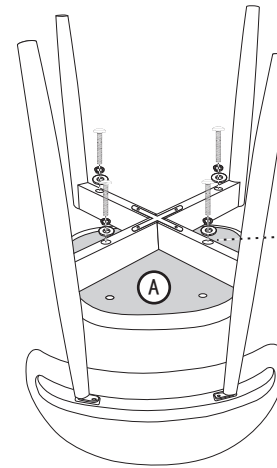
Ex1



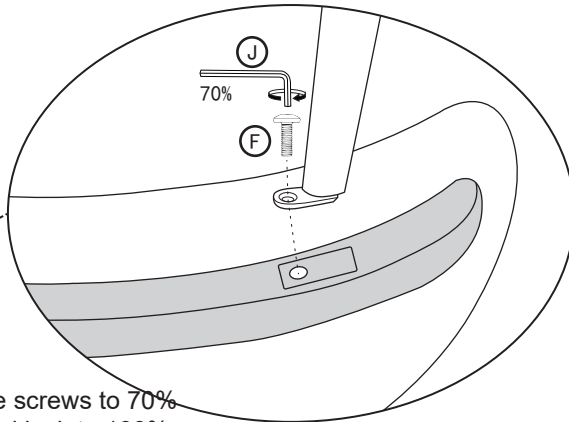
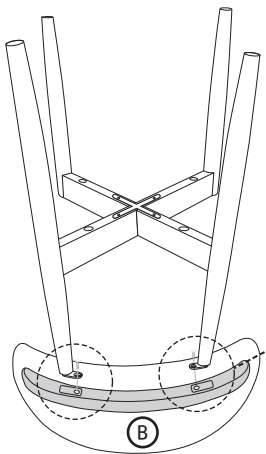
Please lock the screws to 70%
degree first, and lock to 100%
after all screws are installed.

3

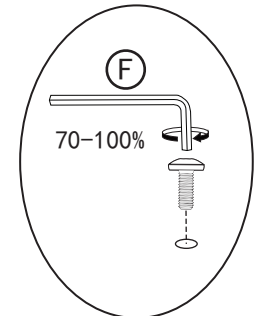
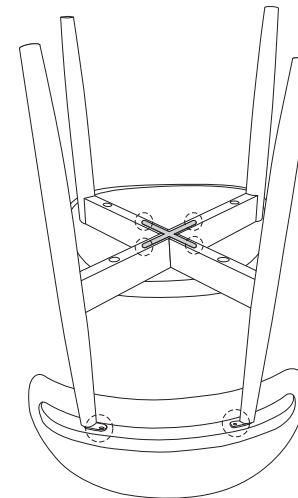
Ax1

**2**

Bx1



Please lock the screws to 70%
degree first, and lock to 100%
after all screws are installed.

4

Lock all screws to 100%