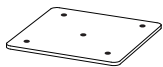


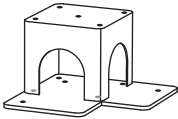


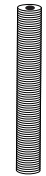

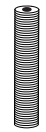

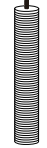



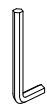


# Assembly Instructions PET

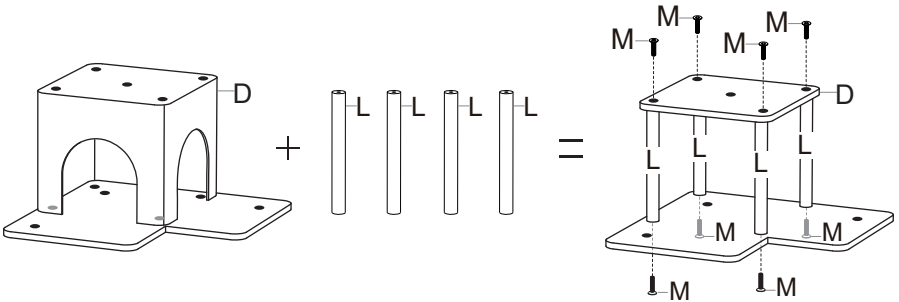
## Read carefully before use and retain for future reference

- Check fixings periodically and re-tighten if necessary ● Please supervise your pet when playing
- **WARNING:** Examine the item regularly for wear and tear and replace at first signs of damage or if parts become detached. Pets can chew items unexpectedly, remove immediately if torn or damaged. Seek immediate veterinary attention if any material is ingested.

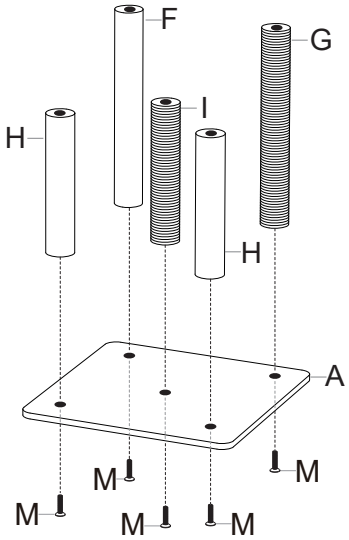
Product Size: 26.5" L x 26" W x 64" H

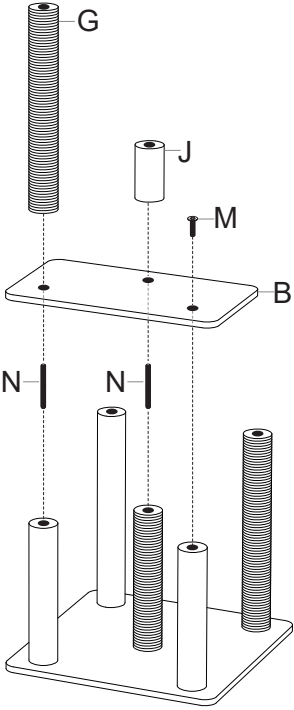
1X	1X	1X	1X	2X	1X	2X	4X	1X	1X	2X	4X	18X	5X	1X	
															
A	B	C	D	E	500mm F	500mm G	350mm H	350mm I	130mm J	400mm K	280mm L	m8*40mm M	m8*80mm N		

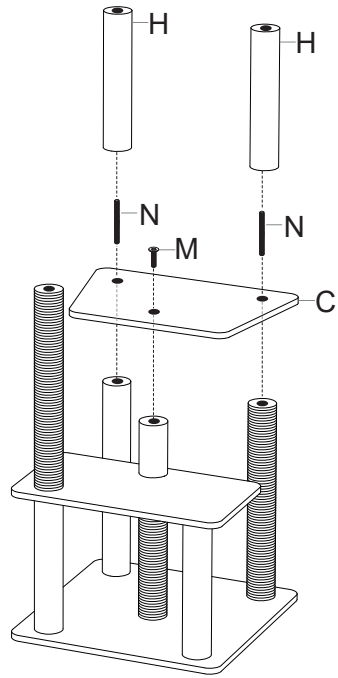
  



For easier assembly, insert all 4 posts inside to frame the condo from each corner. Use the wrench to locate and align the holes between condo board and post, then loosely attach the screws at both ends without completely tightening. Repeat for all corners. Then tighten all 8 screws to finish condo assembly.



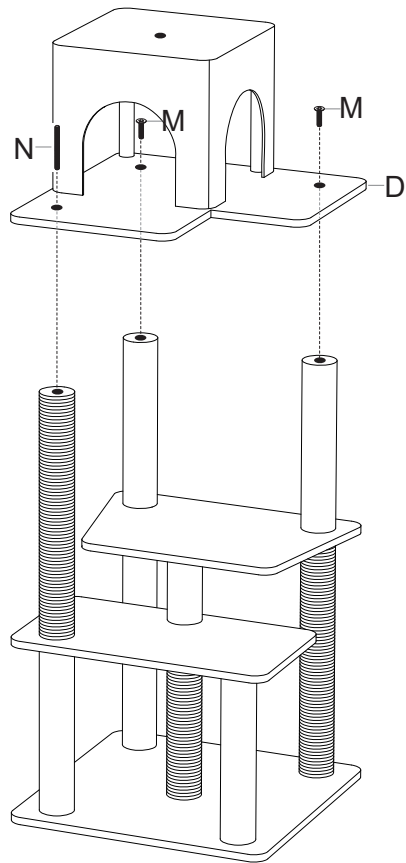




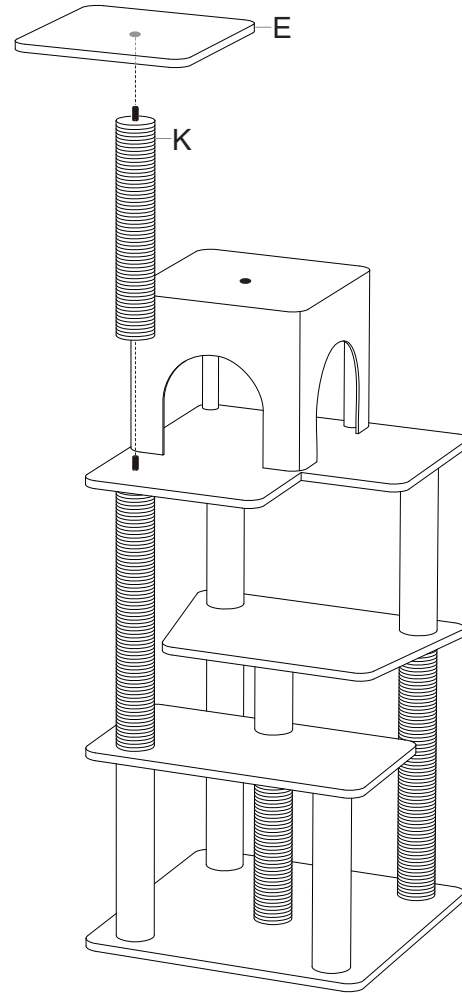
1
2
3
4

# Assembly Instructions

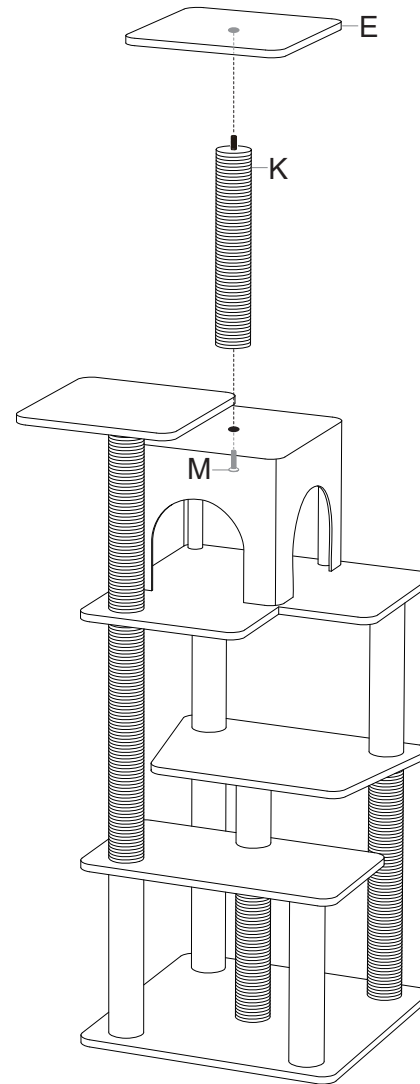
Read carefully before use and retain for future reference



5

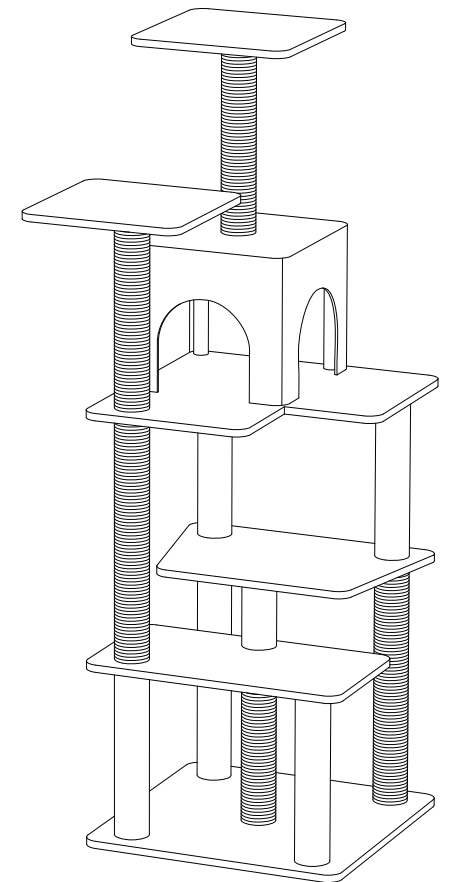


6



7

Finished.



8