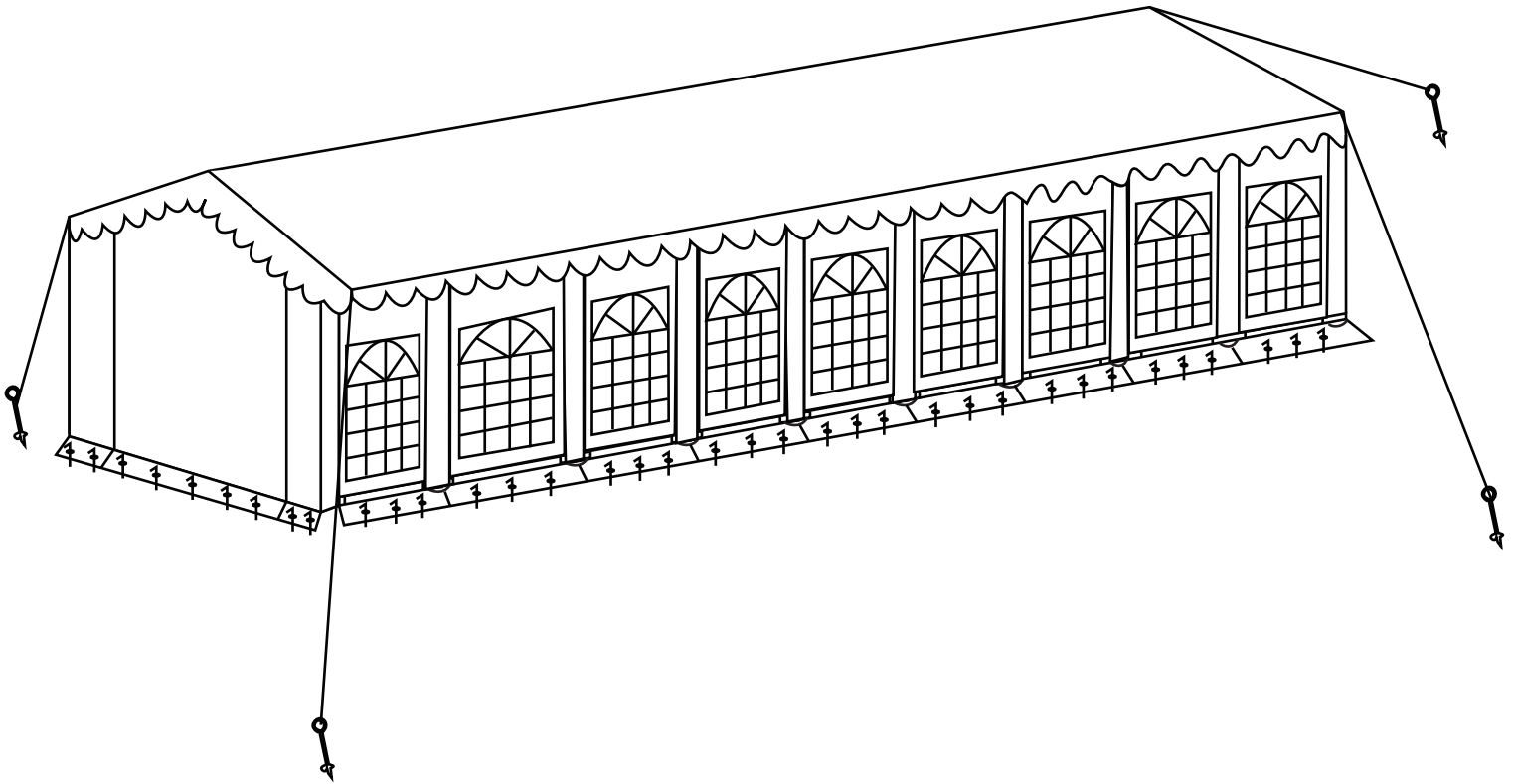


INSTRUCTION MANUAL

20x60FT Party Tent

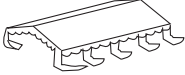
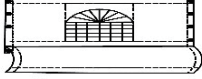

SKU: WQG045



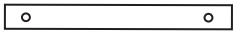
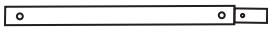
ATTENTION:

1. Please check the manual carefully and make sure you have received all the parts.
2. If there is any missing, please let us know the letter of the parts you need.
3. If there is any damage, please send clear photos to us, we will check and offer you best solution soon.


Box A

Part number	Photo	Part name	Quantity (pcs)
27		Roof	1
28		Sidewalls	18
29		Endwalls	2


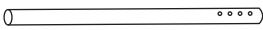
Box C

Part number	Photo	Part name	Quantity (pcs)
1		1#Pipe	20
2		2#Pipe	20

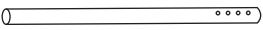
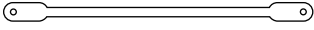
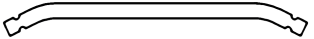

Box D

Part number	Photo	Part name	Quantity (pcs)
3		3#Pipe	26

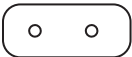





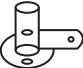

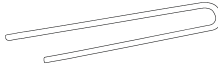






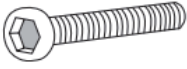
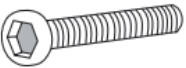
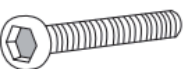

Box E

Part number	Photo	Part name	Quantity (pcs)
3		3#Pipe	19
4		4#Pipe	7

Box F

Part number	Photo	Part name	Quantity (pcs)
4		4#Pipe	13
6		Reinforcement bar A	4
7		Reinforcement bar B	10
21		Steel wire	36

Box B

Part number	Photo	Part name	Quantity (pcs)
5		Clamps	40
8		140° 3way-connectors	2
9		140° 4way-connectors	8
10		110° 3way-connectors	4
11		110° 4way-connectors	16
12		Footplate	16
13		Corner footplate	4
14		Peg	72
15		Peg	36
16		Spiral peg	4
17		Rope	4
18		Hook	20
19		Bungee ball	154
20		Clamp	8
22		Turn buckle	18
23		Screw M6x30mm	8
24		Screw M6x80mm	20
25		Screw M6x50mm	40
26		Screw nut	68

Warning:

1. In order to prevent rusting from air exposure, oil is applied to the surface of the pipes.
Before setting up the tent, please carefully remove the oil to keep the cover clean..
2. Take note that the tent needs to be handled carefully to avoid damage.
3. Do not force the frame as it may be damaged in the process.
4. Tents are designed as temporary shelters and should be evacuated in extreme weather conditions.
5. The windows may be slightly sticky to each other, when you unfold the windows, please do as softly as you can. Or the windows may crack during the process.

Please select a suitable site for the tent to avoid the damage to underground sprinkler systems, water, gas, or electrical lines.

Tips:

Here's a brief summary of the order in which to assemble this party tent:

First, assemble the entire roof frame.

Second, assemble the frame of only one side of the window so that the top cloth and the two roller shutters can be easily fixed to the frame without the help of a ladder.

Third, assemble the frame for the window on the other side.

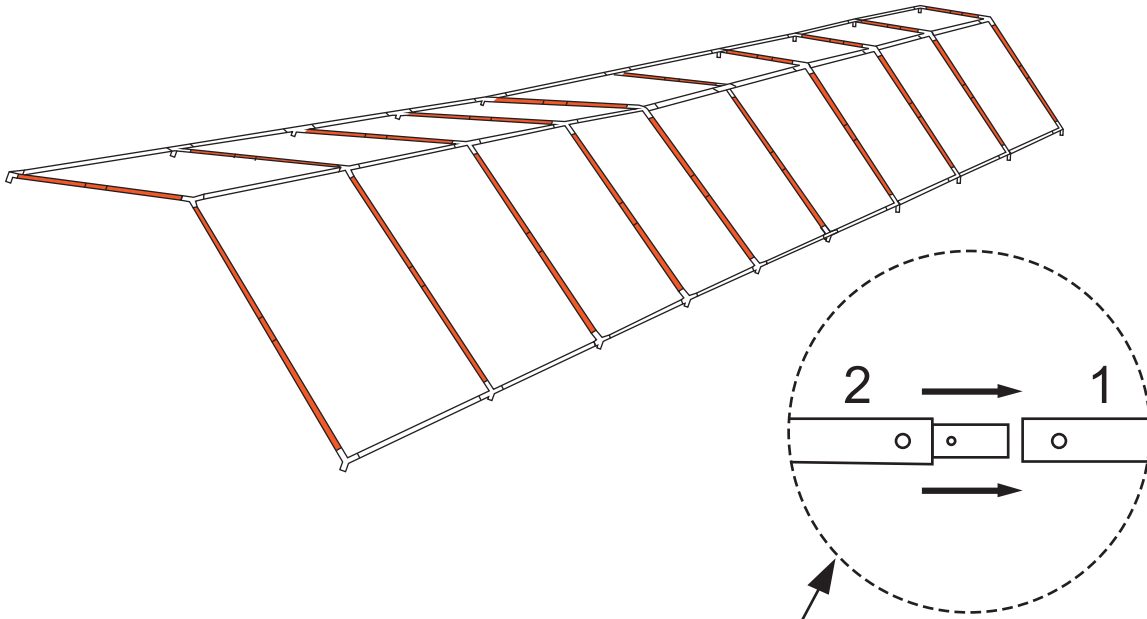
Finally, assemble the bottom frame and use ground nails to secure the entire party tent.

Both roller shutter doors can be opened, and the number of windows can be determined according to your needs.

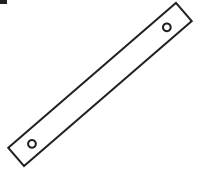
Now let's start installing this party canopy!

STEP 1

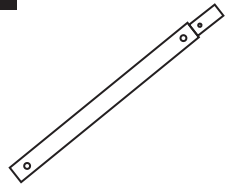
Insert part (2) into part (1) and make sure the holes are aligned.



1 x20



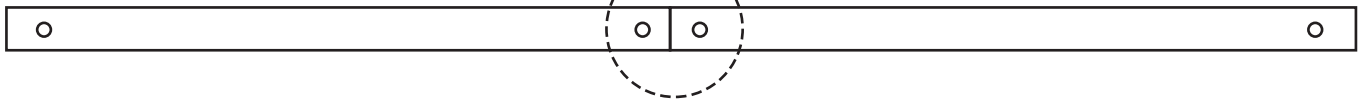
2 x20



2

1

X20



STEP 2

Use two pieces of (5) part, align its holes with the holes of (1) part and (2) part, and secure with (25) screws and (26) nuts.

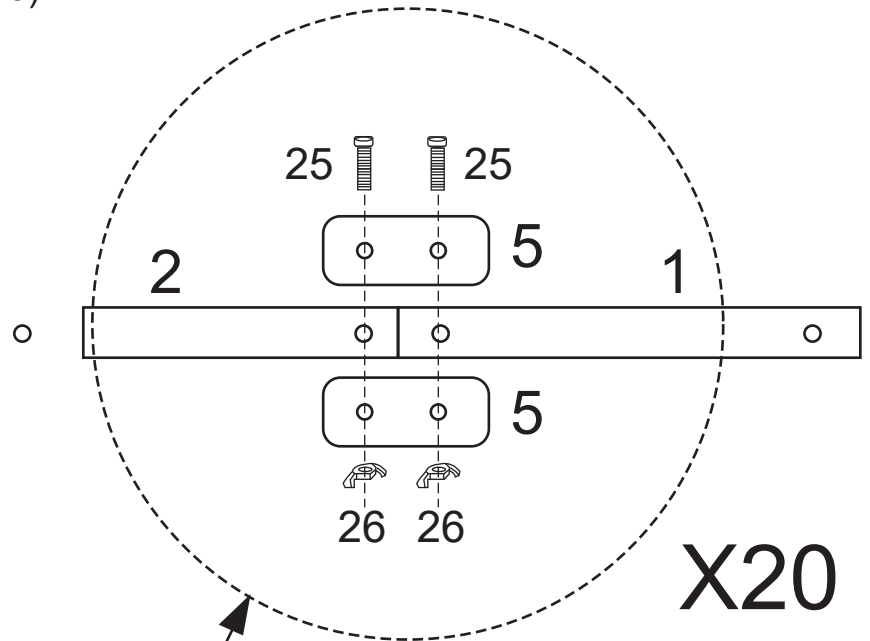
5 x40



25 x40



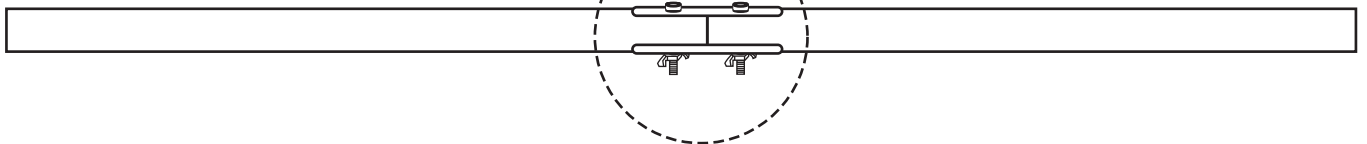
26 x40



X20

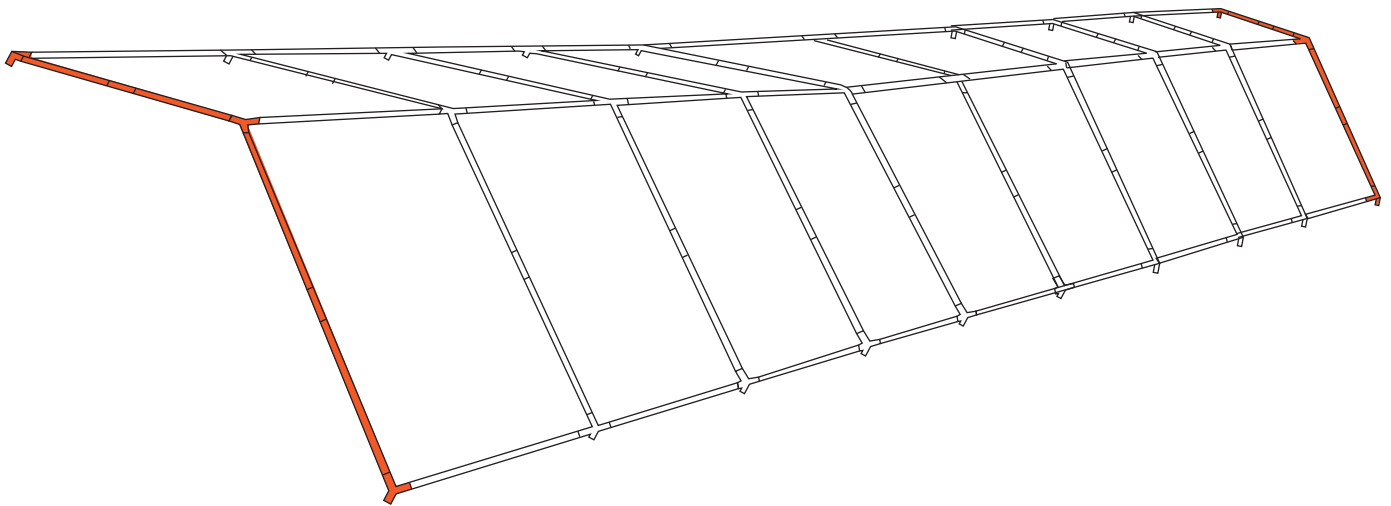
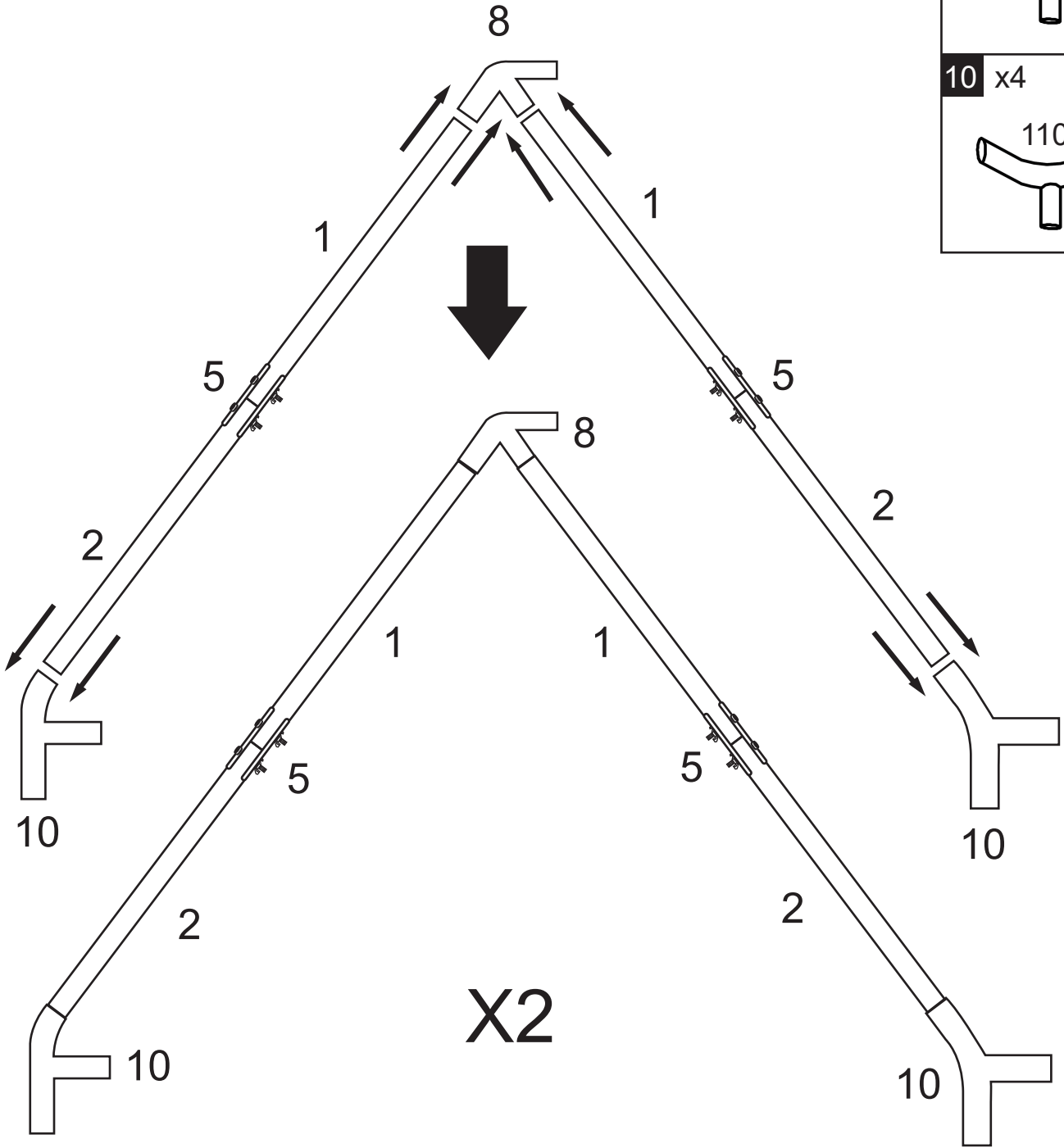
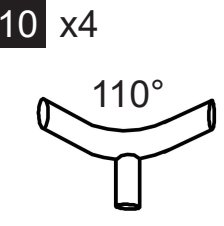
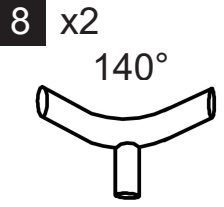
2

1



STEP 3

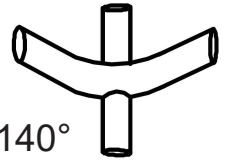
Connect the (8) connector to pole (1) and the (10) connector to pole (2).



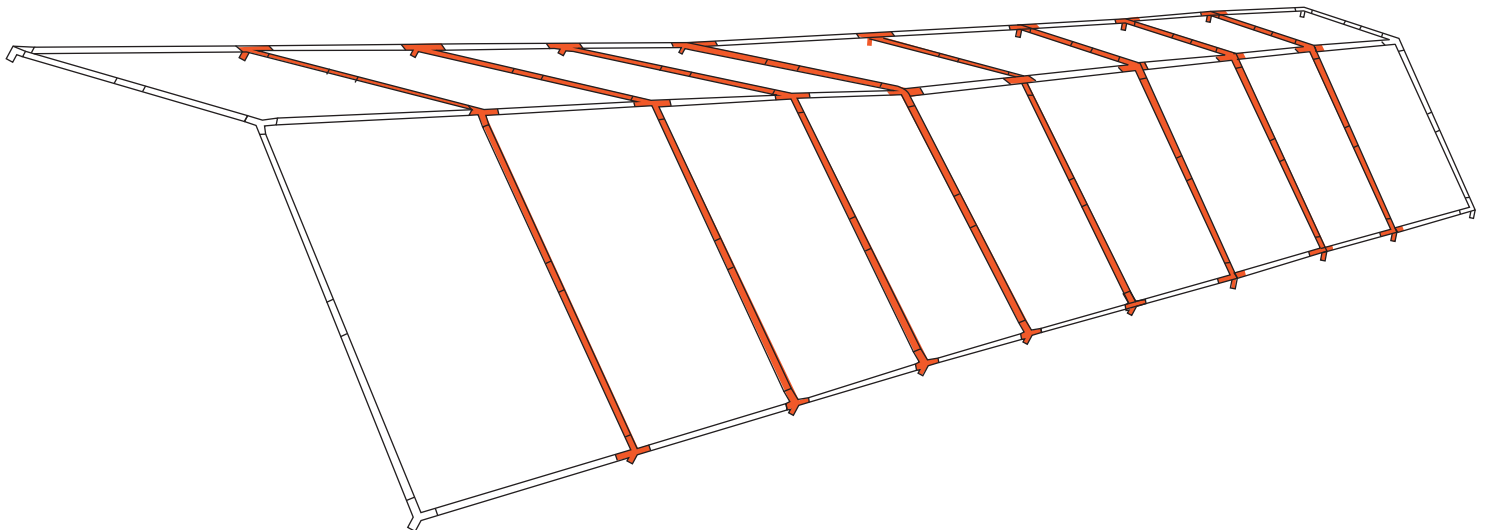
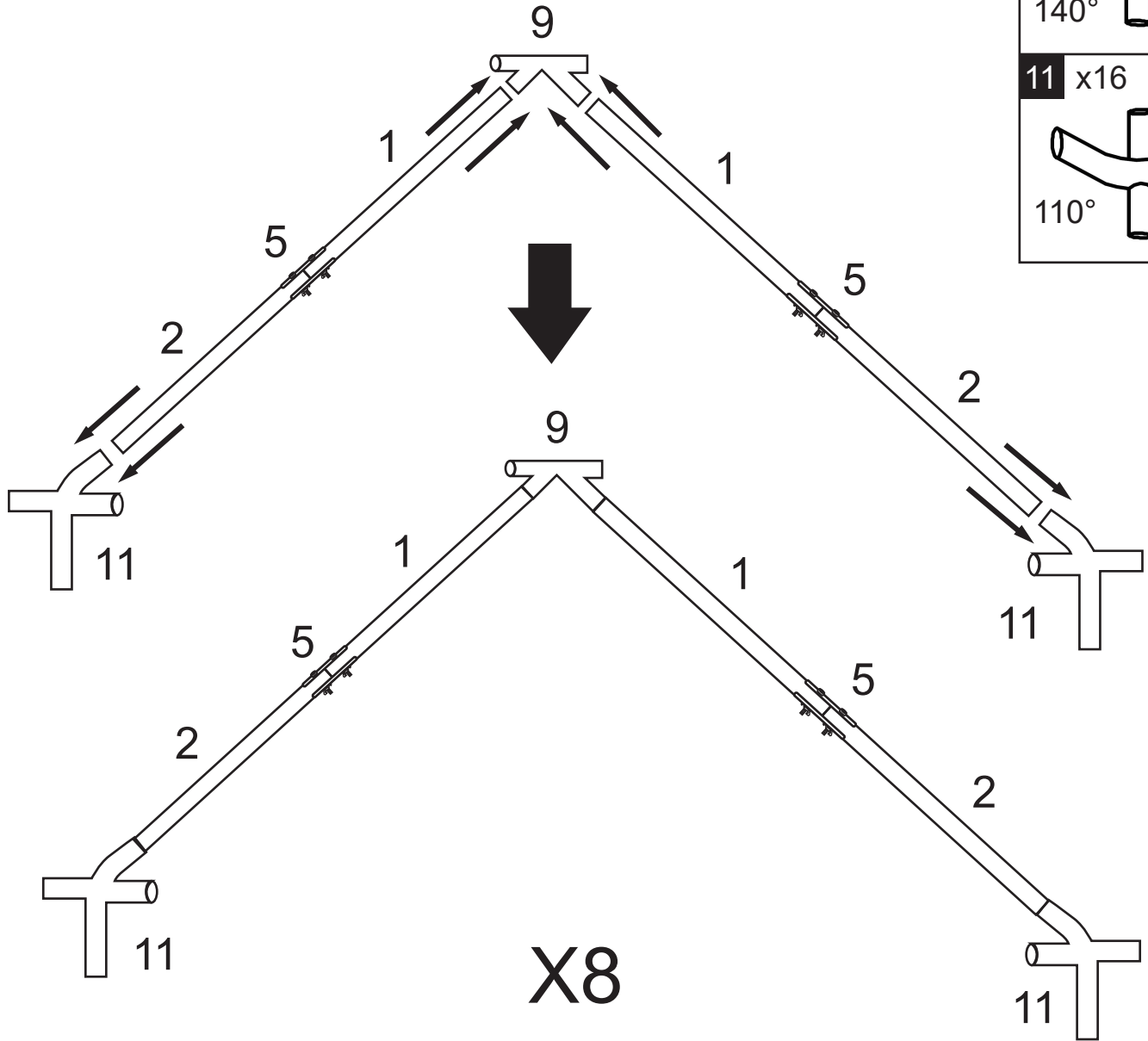
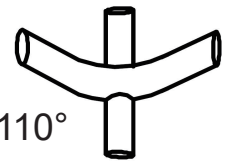
STEP 4

Connect the (9) connector to pole (1) and the (11) connector to pole (2).

9 x8



11 x16



STEP 5

Attach a reinforcing rod (7) to the rod (1) using screws (24) and (26).

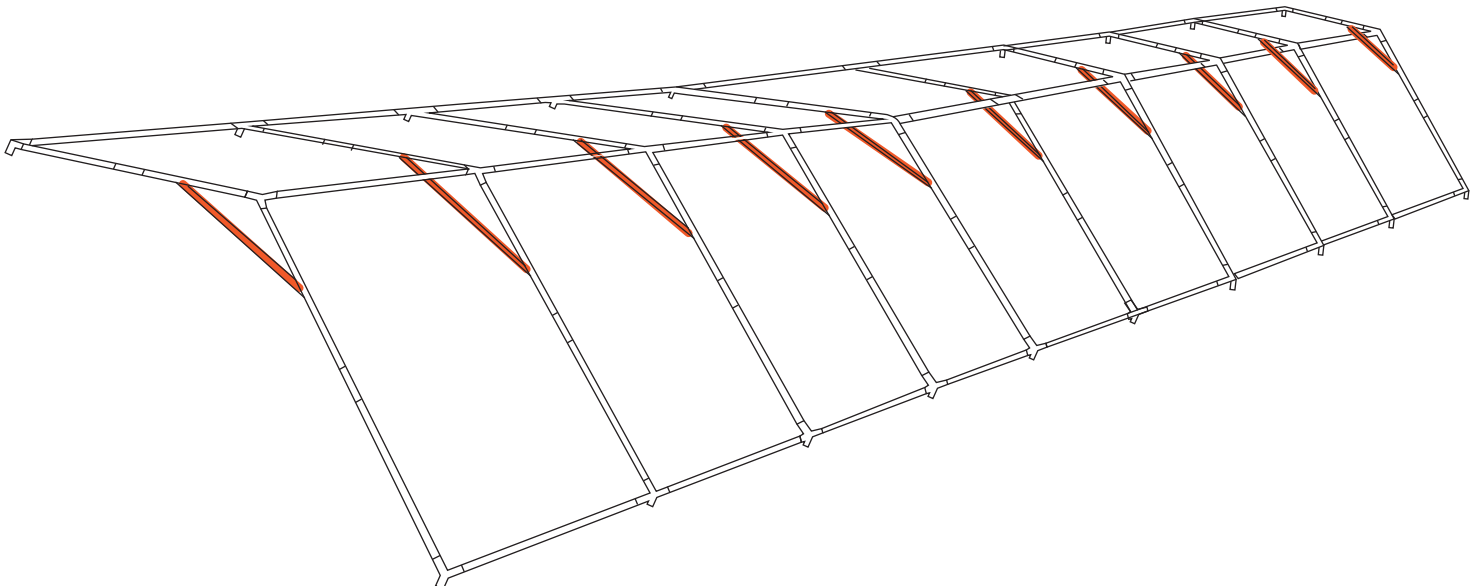
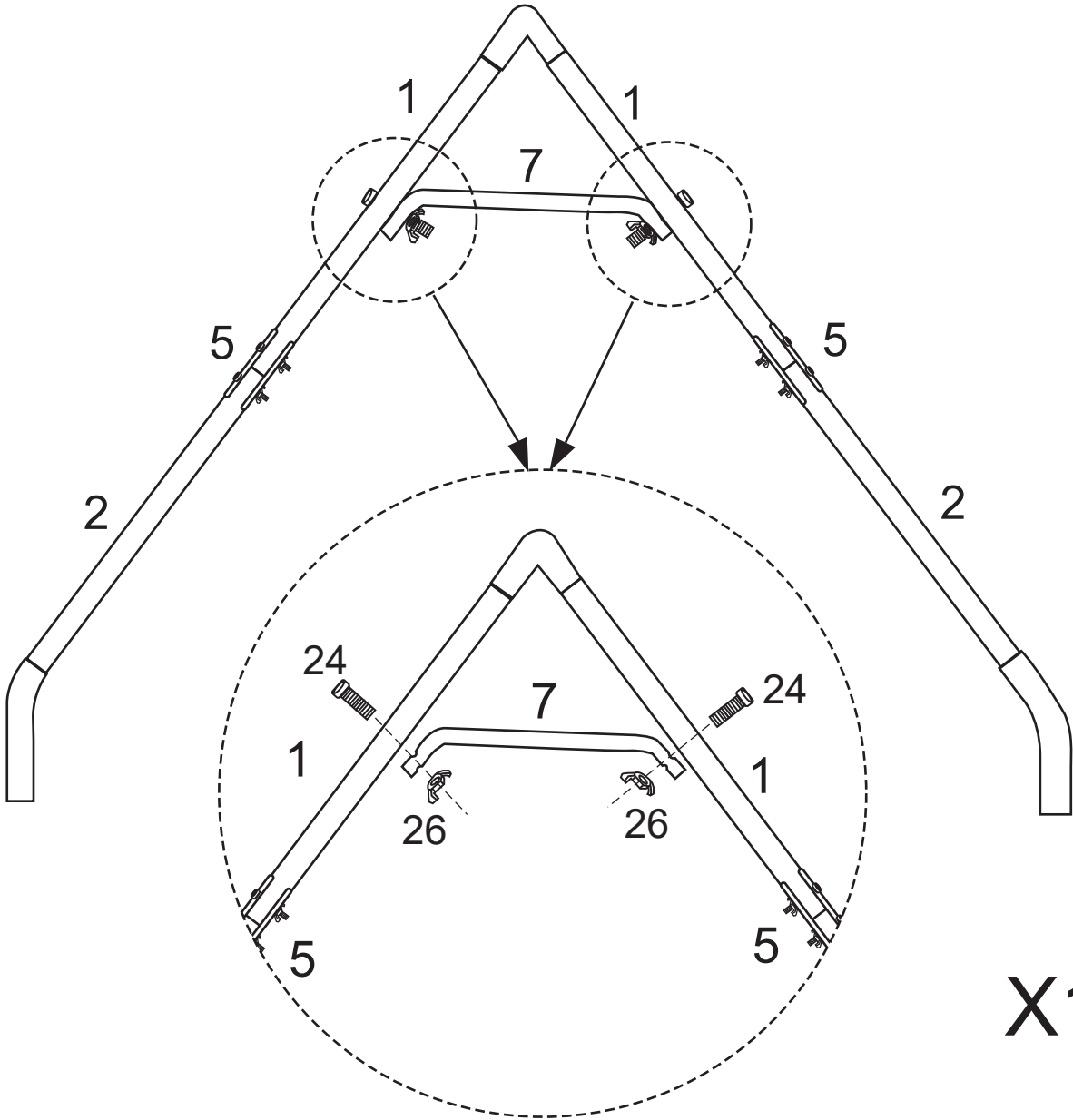
7 x10



24 x20

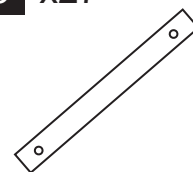


26 x20

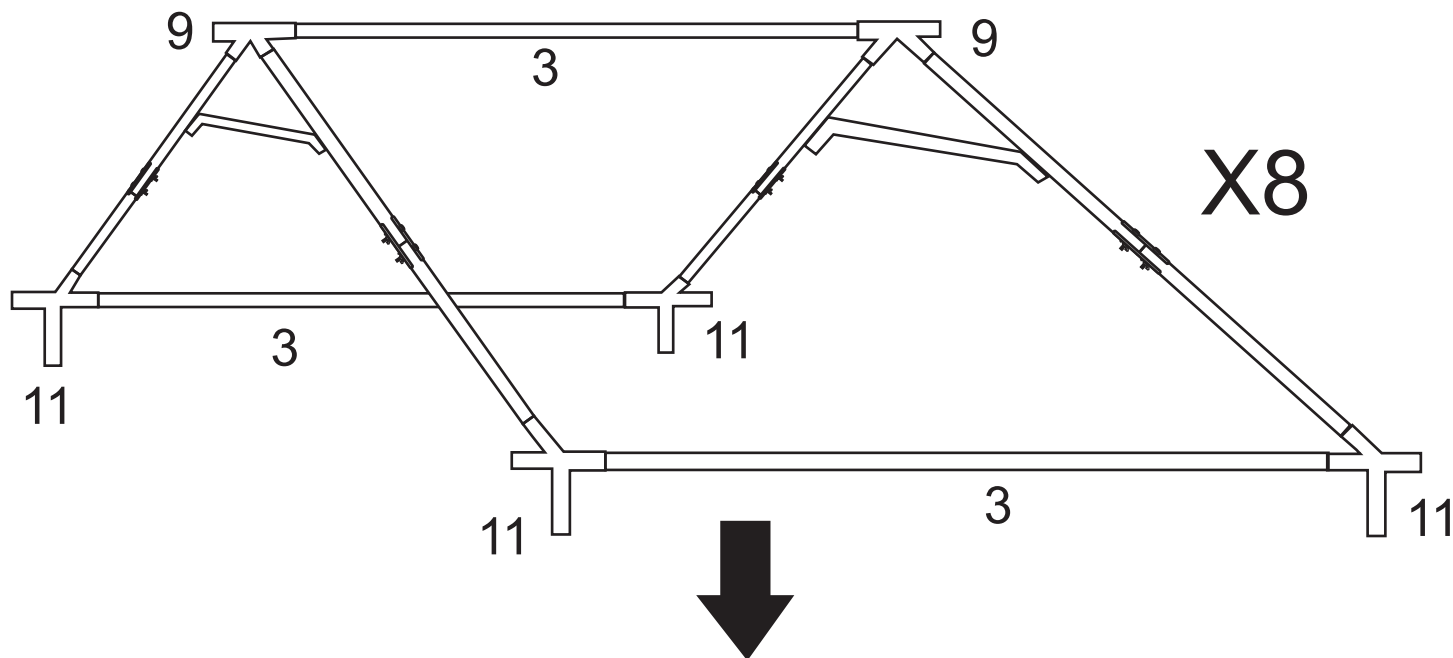


STEP 6

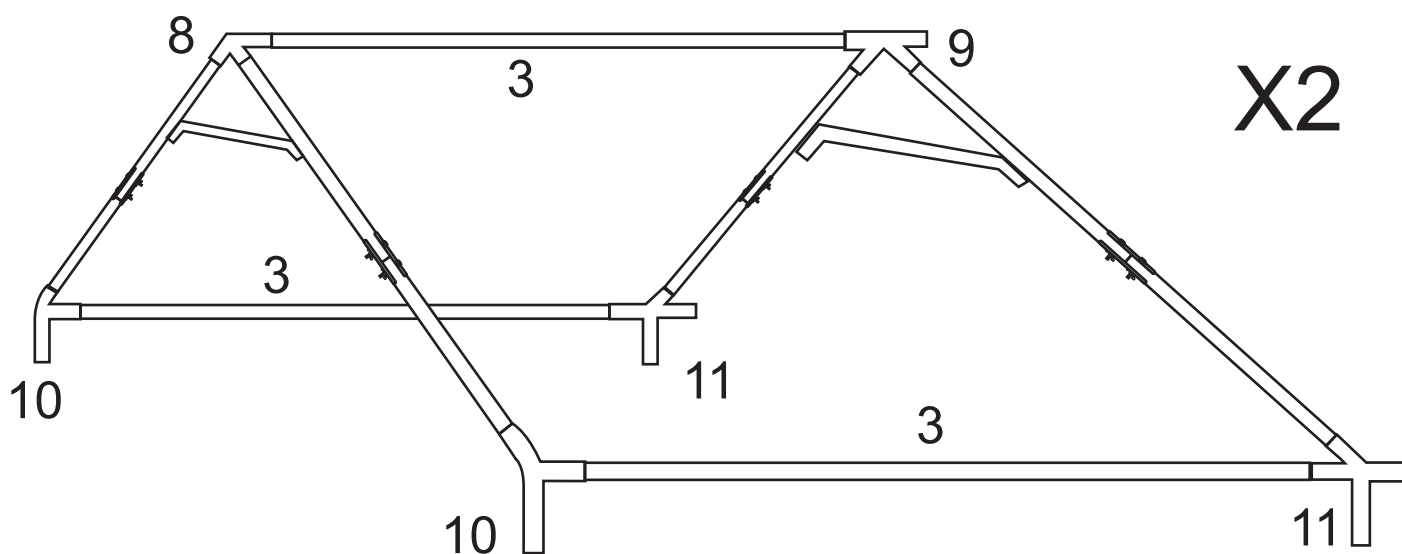
3 x27



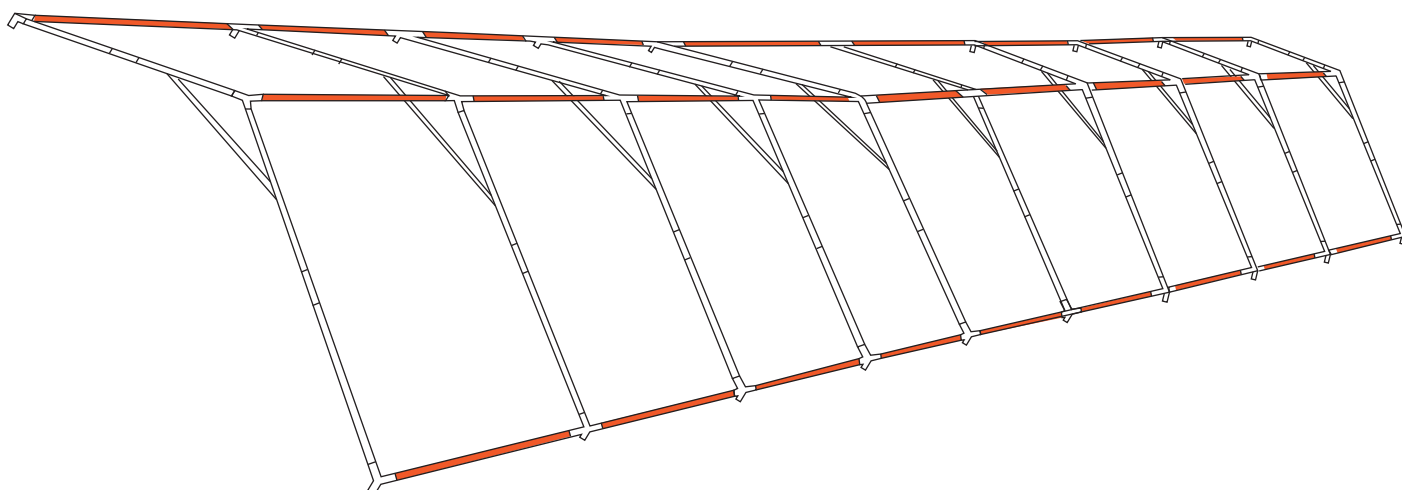
Use the two ends of one crossbar (3) to connect the two joints (9), then use the two ends of the two crossbars (3) to connect the two joints (11), and so on. The crossbars on both sides are connected to joints (8) and (10), and the entire top frame is assembled.



X8



X2

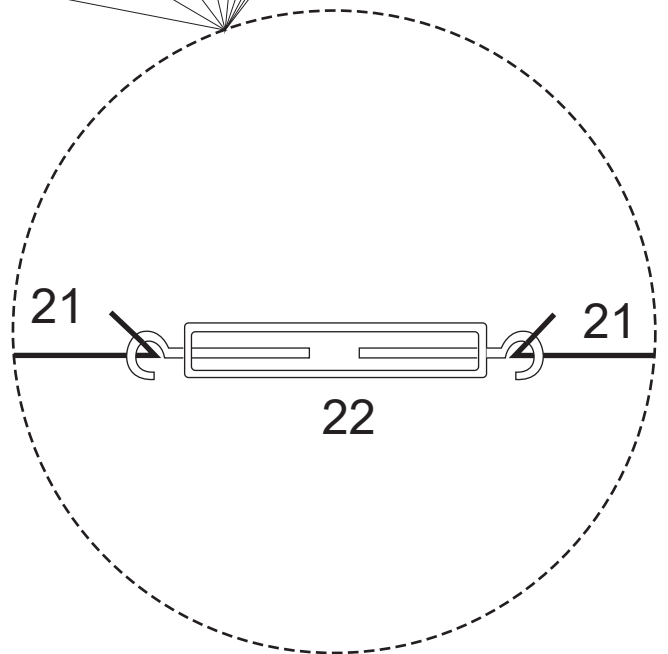
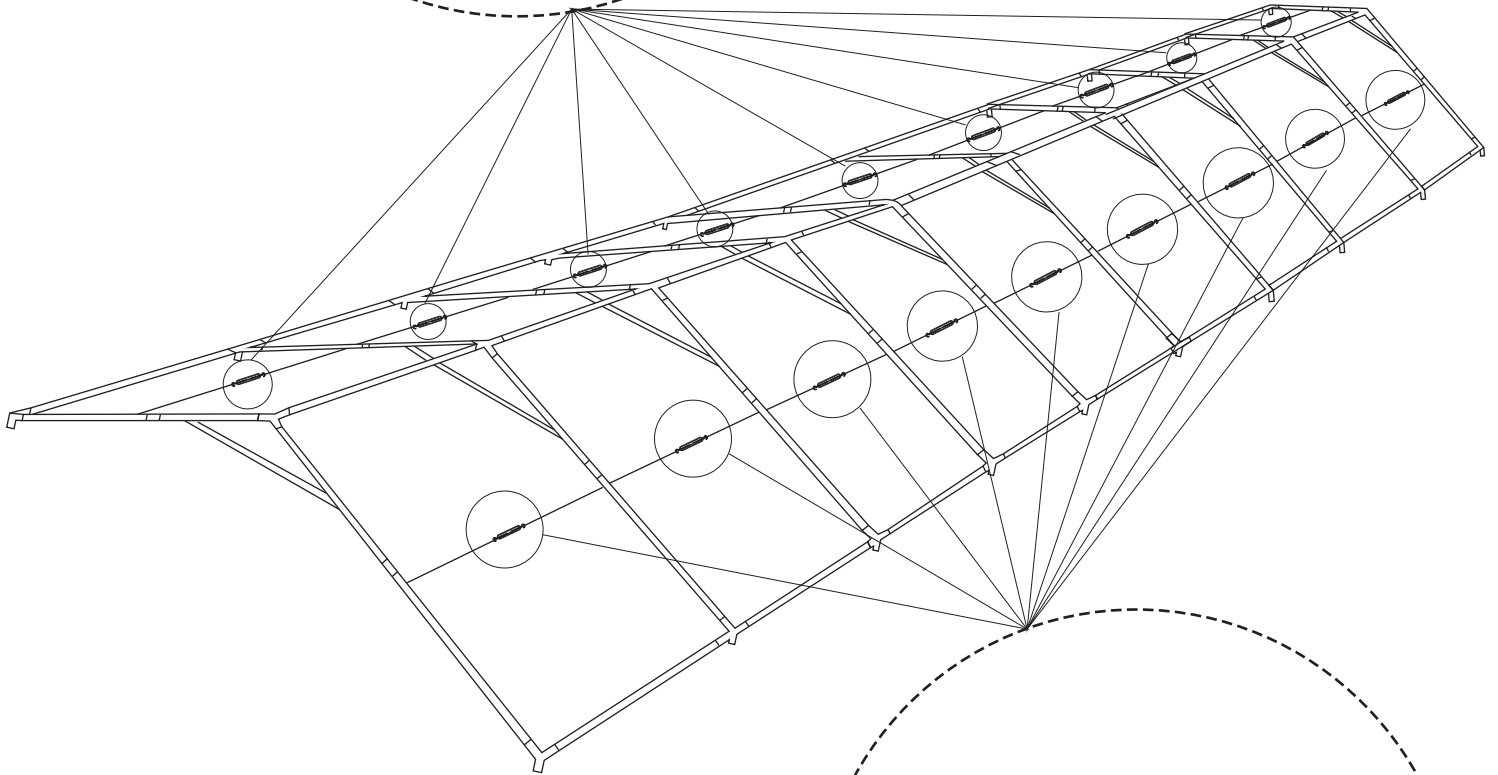
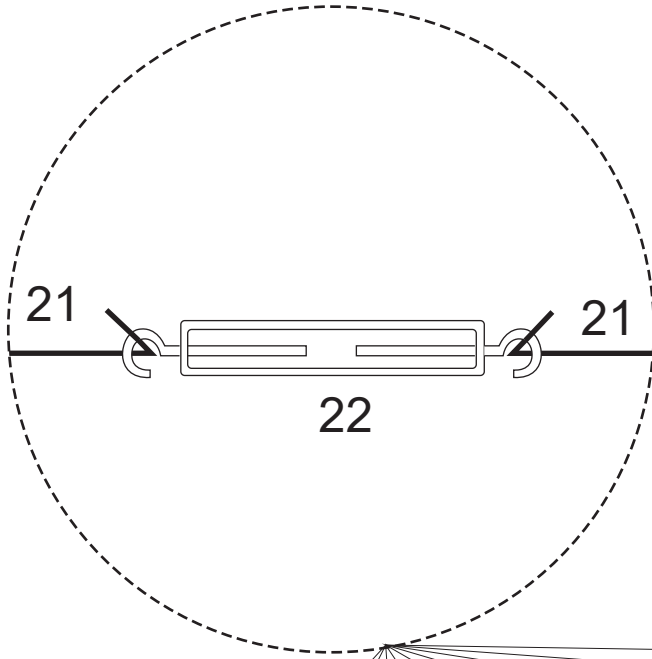


STEP 7

Combine (21) with (22) and secure them to the (2) pole.

21 x36

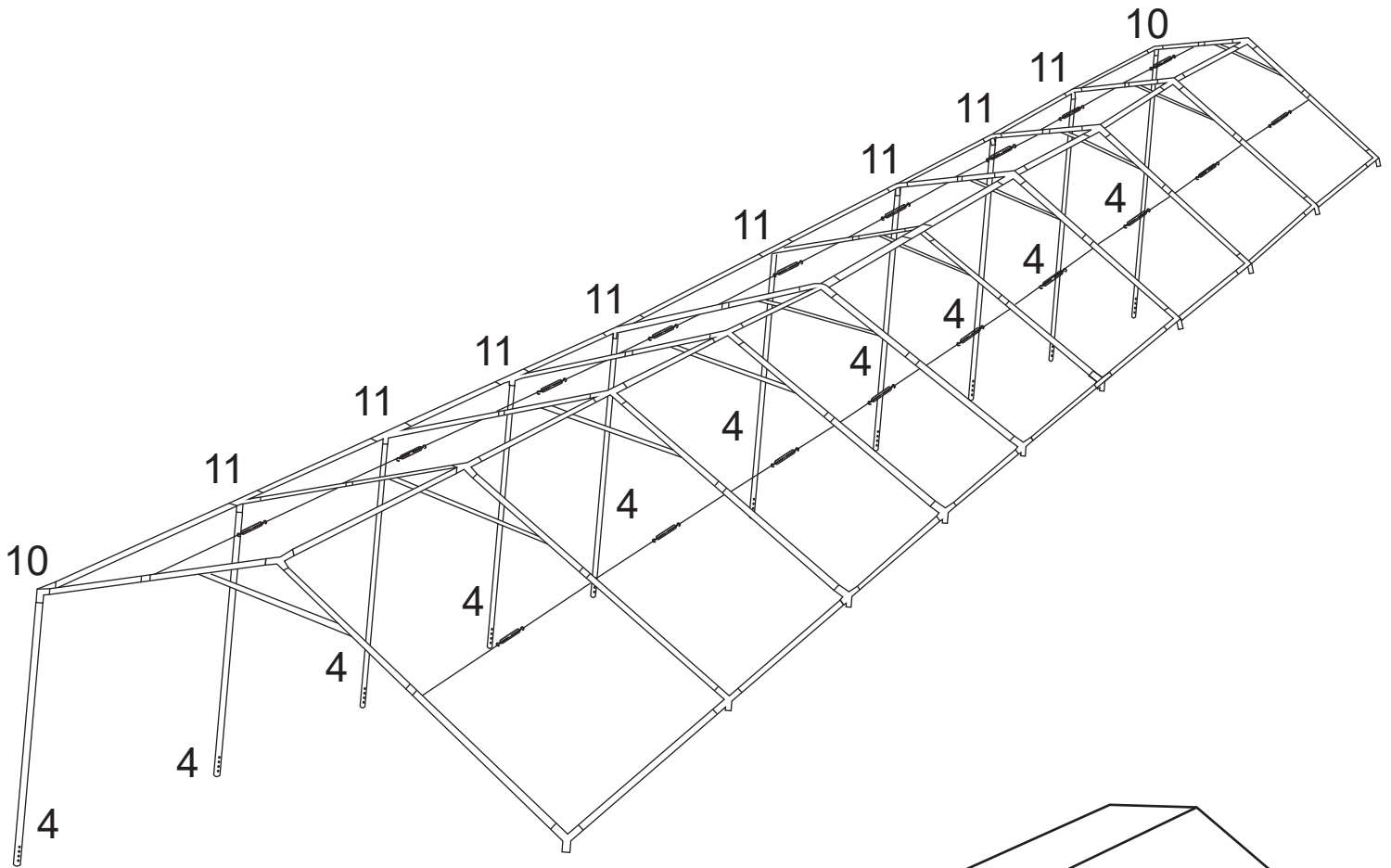
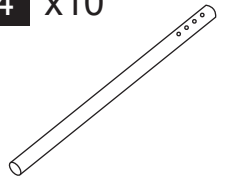
22 x18



STEP 8

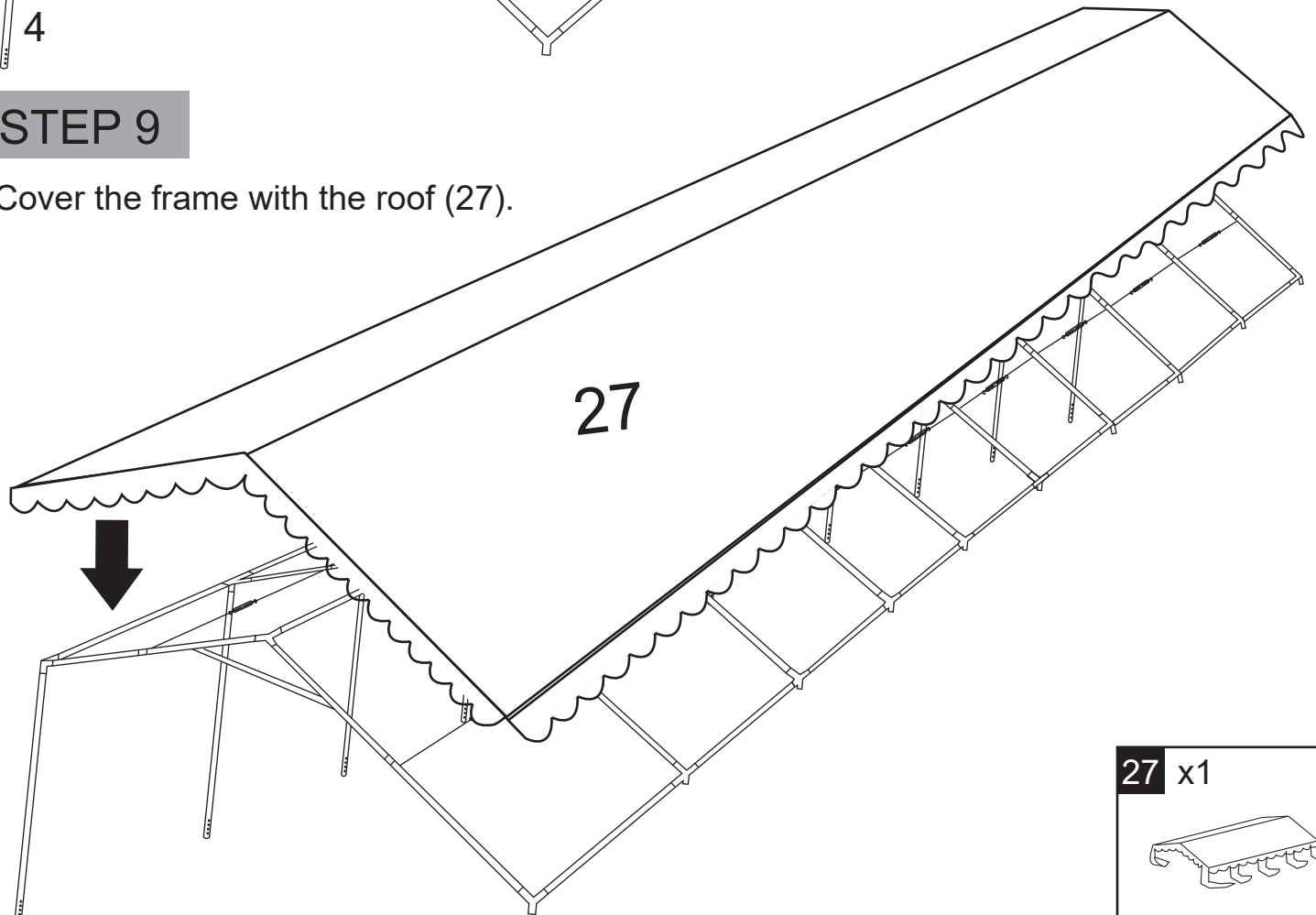
Attach the (4) pole to the (10) and (11) connectors on one side.

4 x10

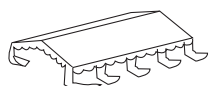


STEP 9

Cover the frame with the roof (27).



27 x1

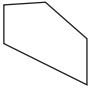


STEP 10

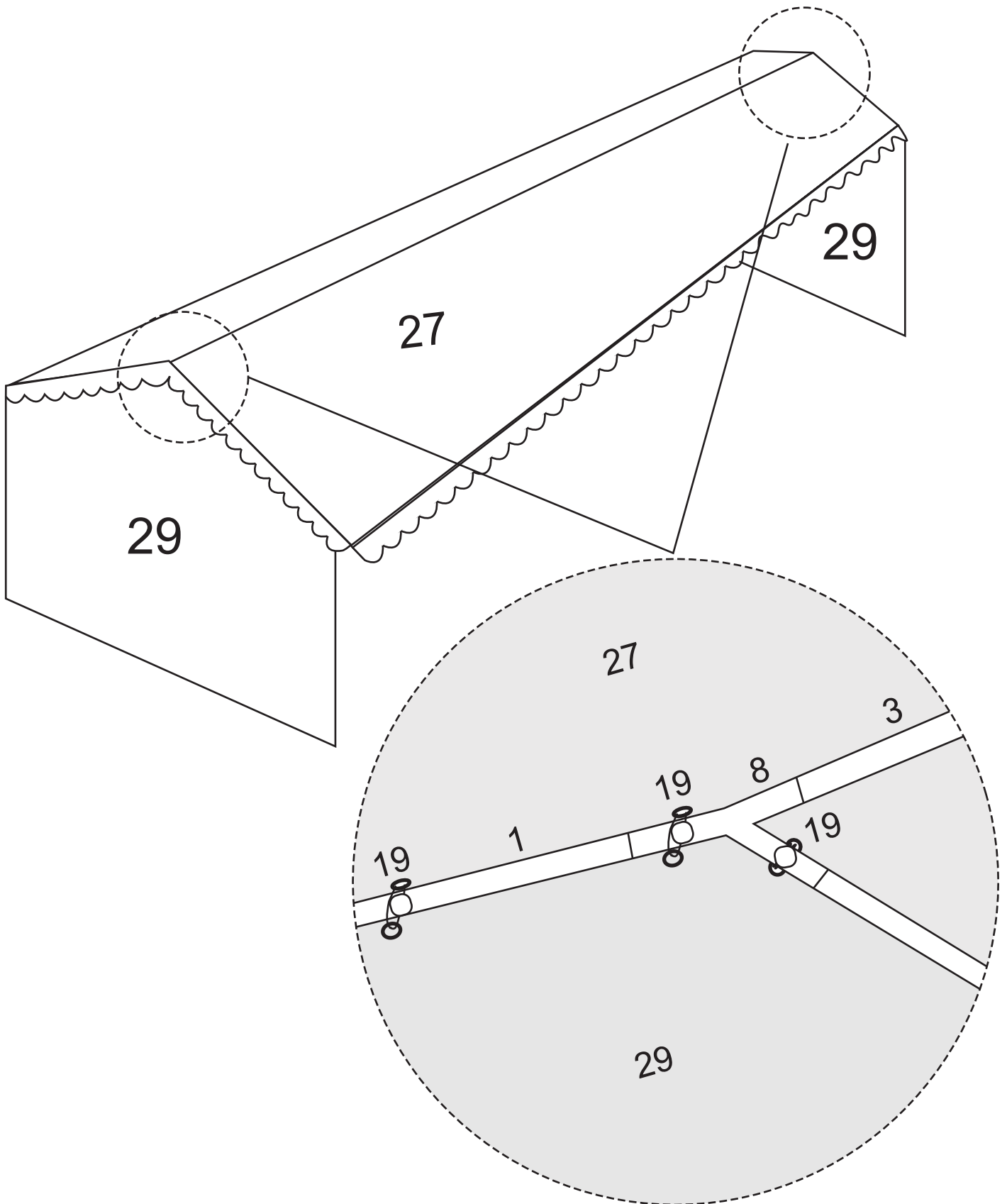
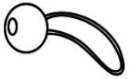
Use elastic balls (19) to secure the top cloth (27) and the door (29) to the frame.

Pay attention to the tension of the bungee balls, because if you use too many bungee balls on one side of the tent, the other side may be too tight to tie down.

29 x2



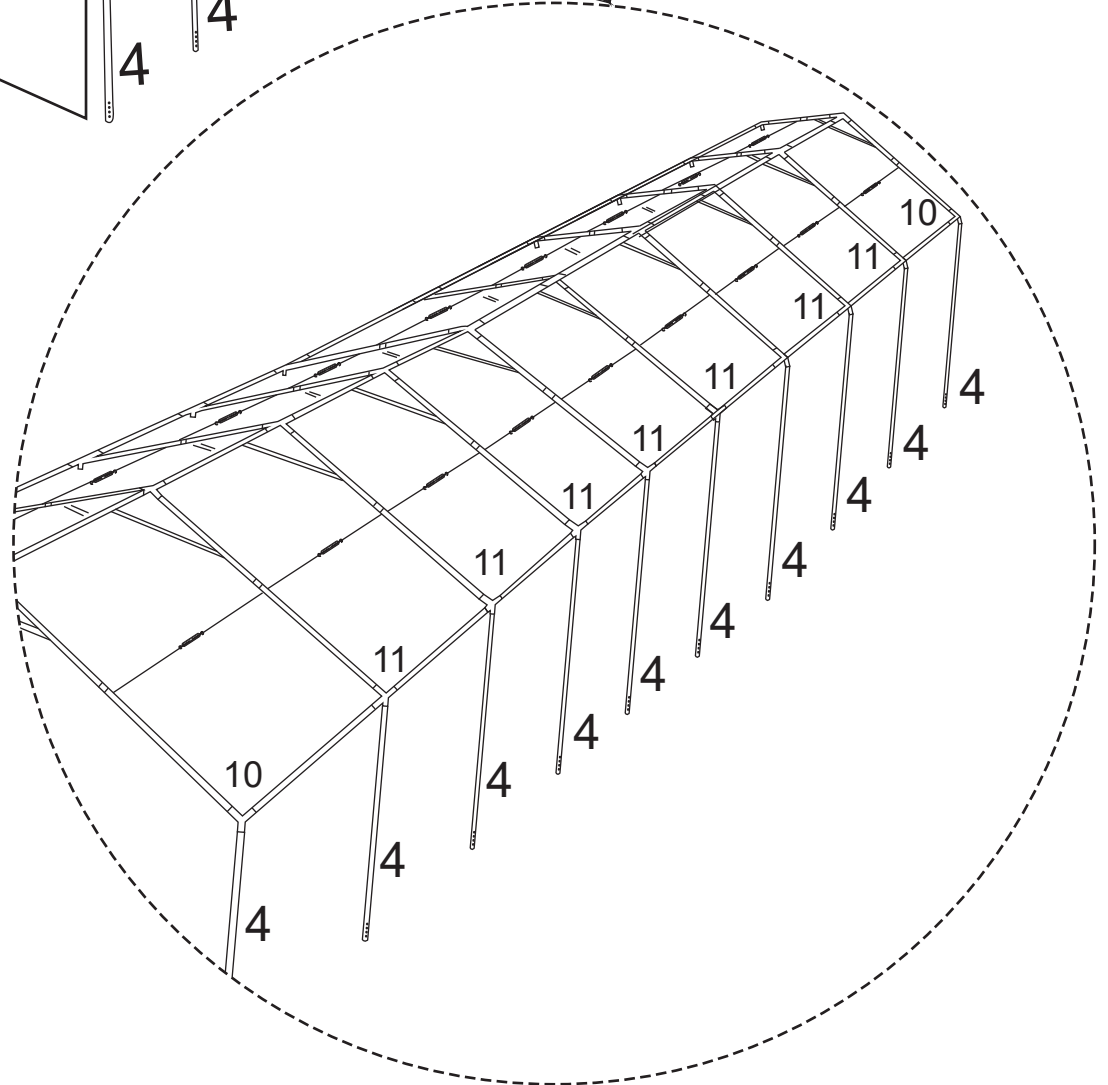
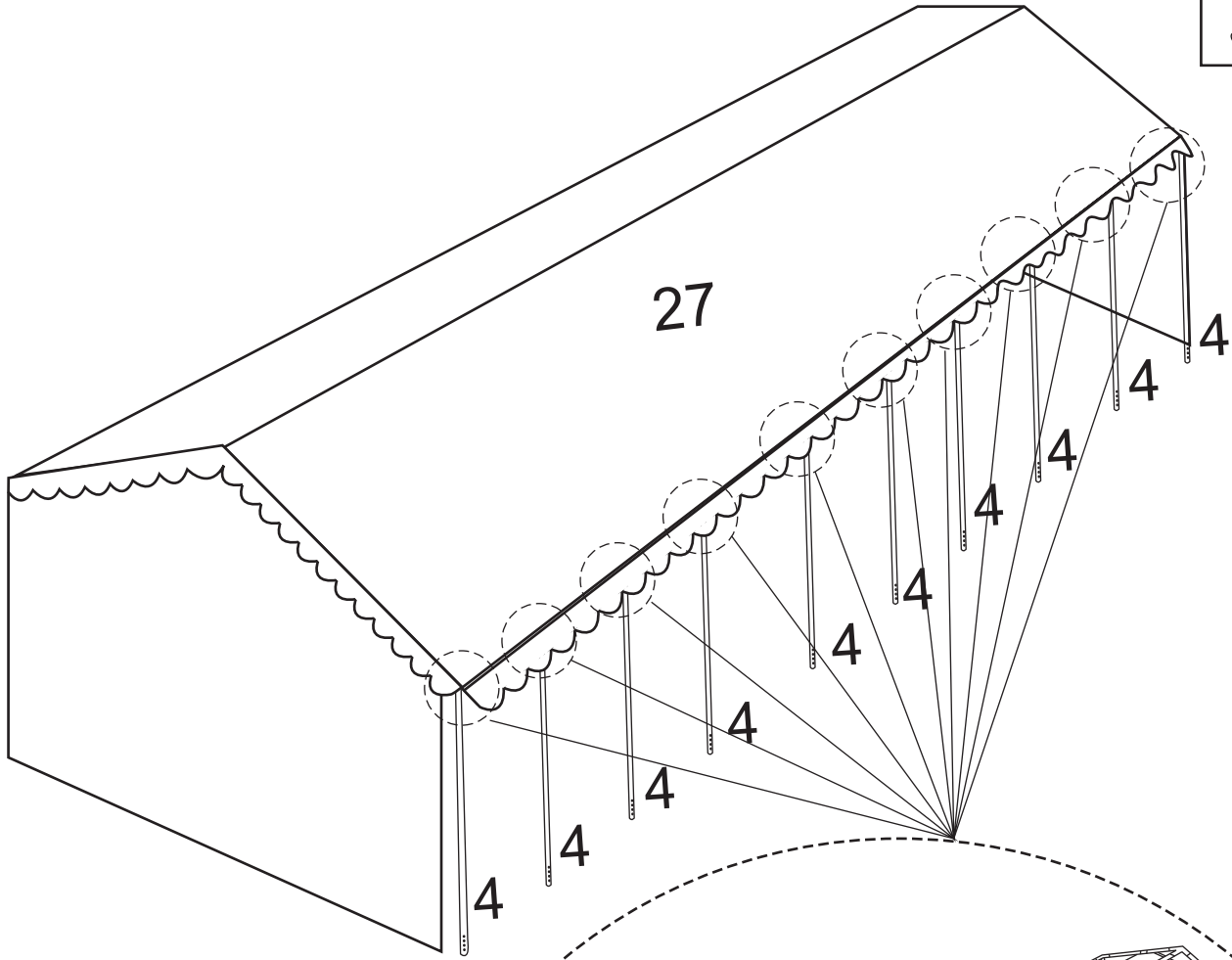
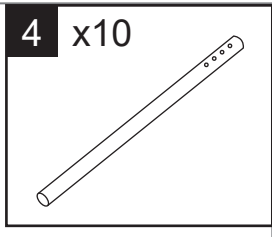
19 x28



STEP 11

4 x10

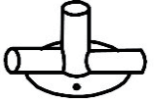
Attach the (4) pole to the (10) and (11) connectors on the other side.



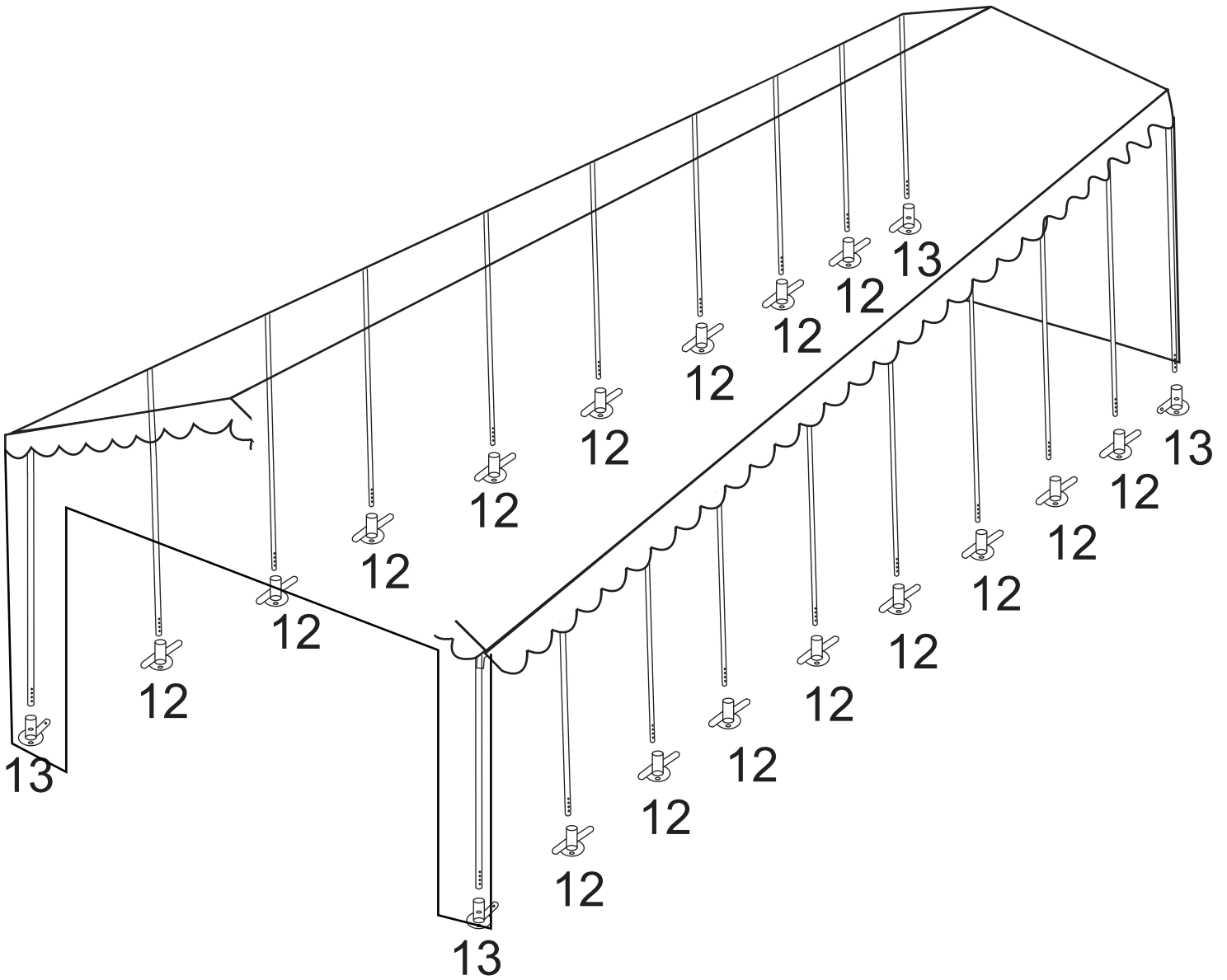
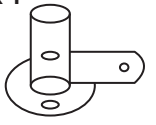
STEP 12

Connect the (12) footplate and (13) corner footplate to the (4) vertical rod.

12 x16



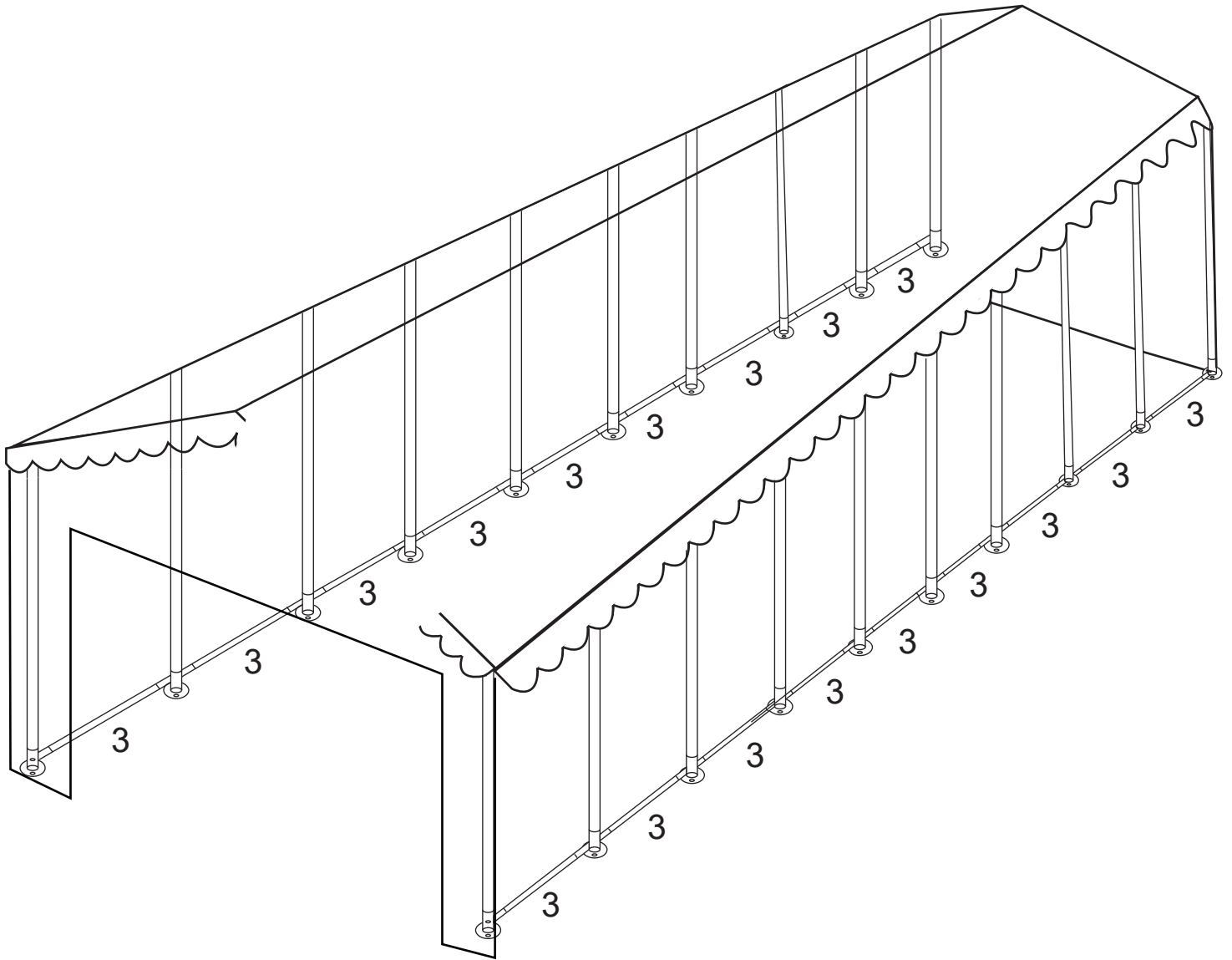
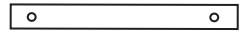
13 x4



STEP 13

3 x18

Connect the footplates on both sides with (3) pipes.



STEP 14

Use clamps (20), screws (23) and nuts (26) to connect the reinforcing rod (6) to the horizontal rod (3) and vertical rod (4).

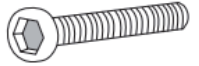
6 x4



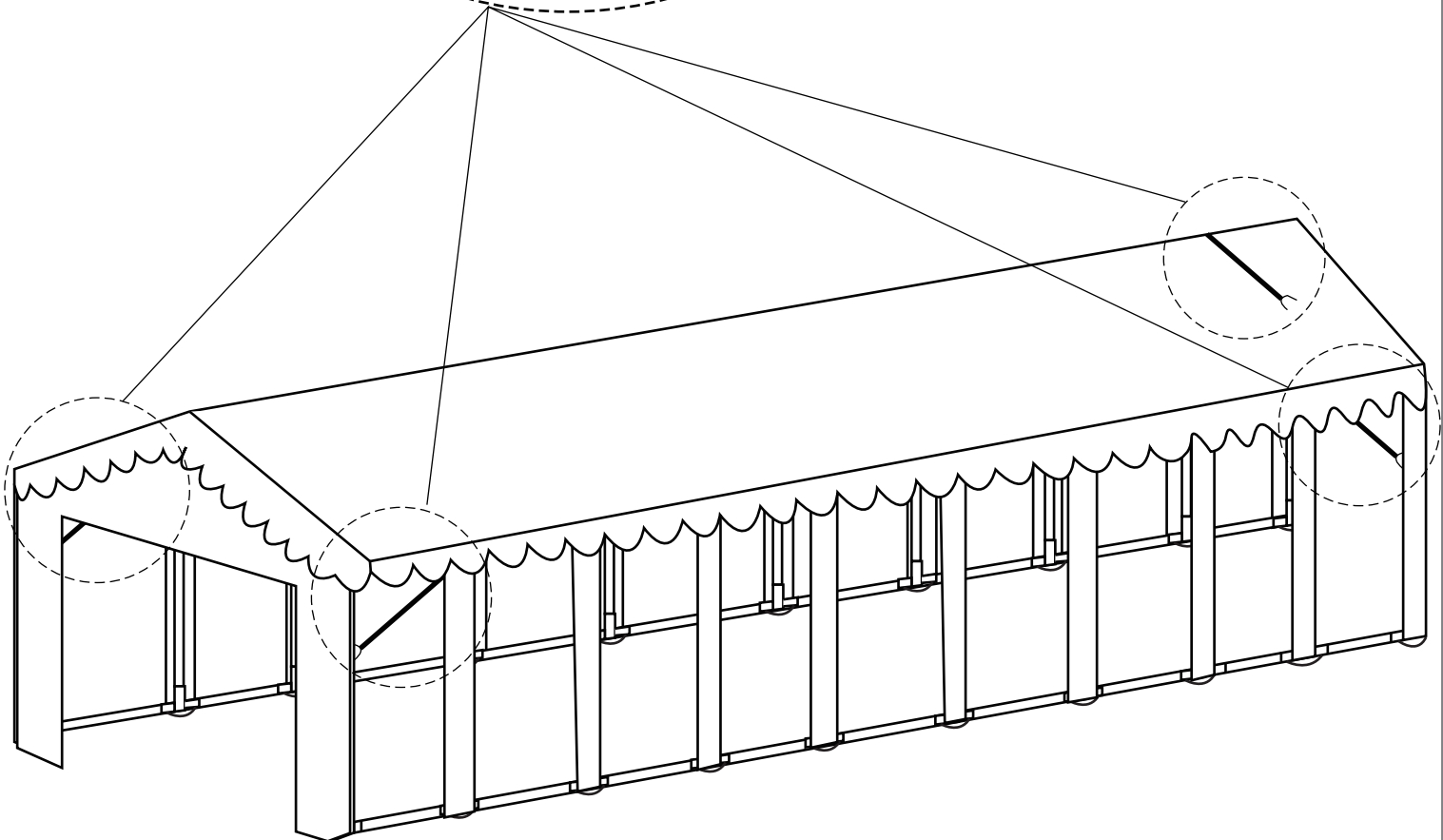
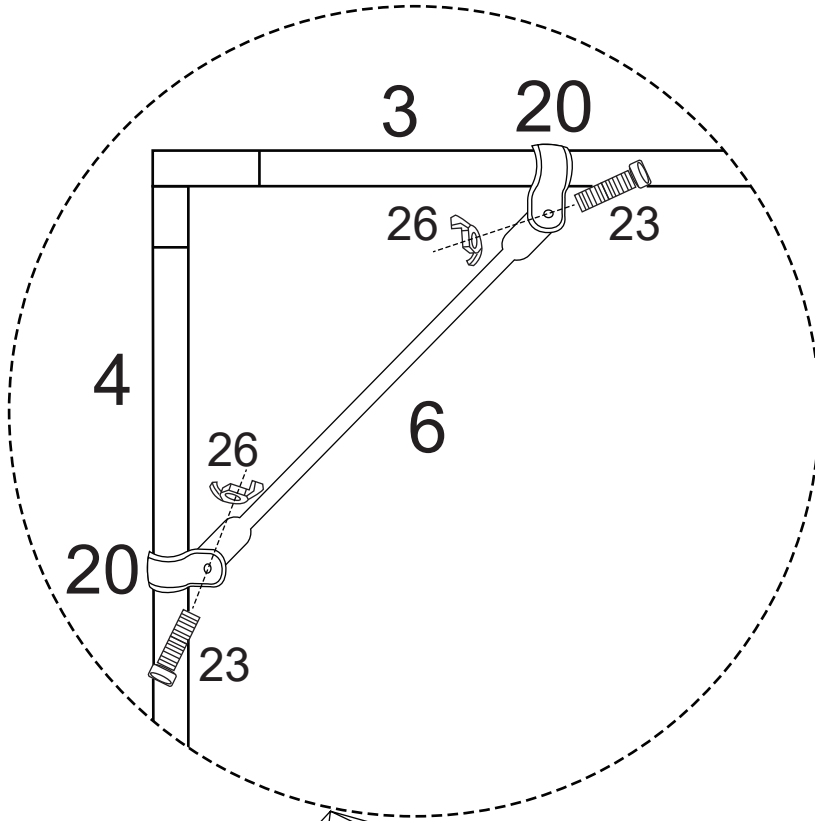
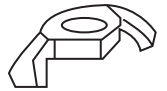
20 x8



23 x8



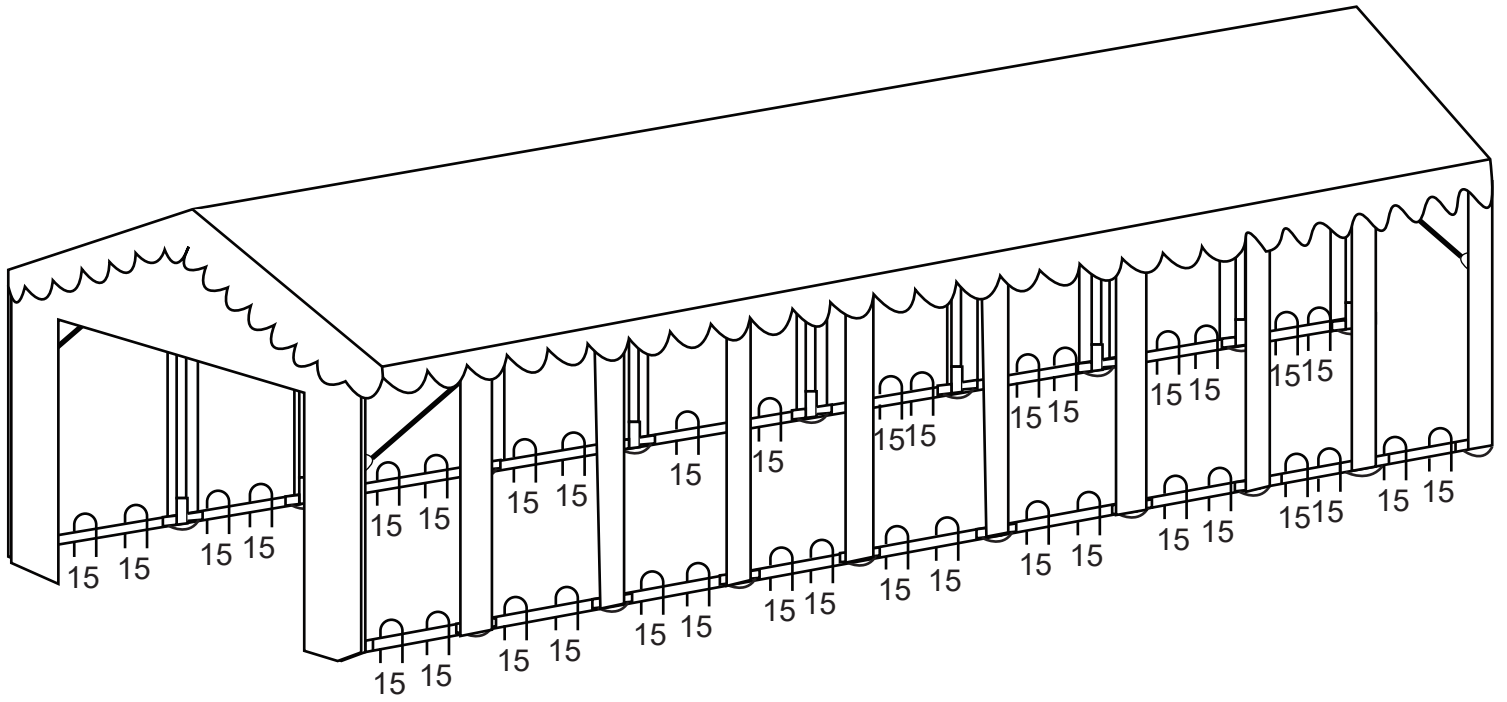
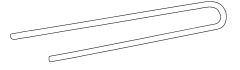
26 x8



STEP 15

15 x36

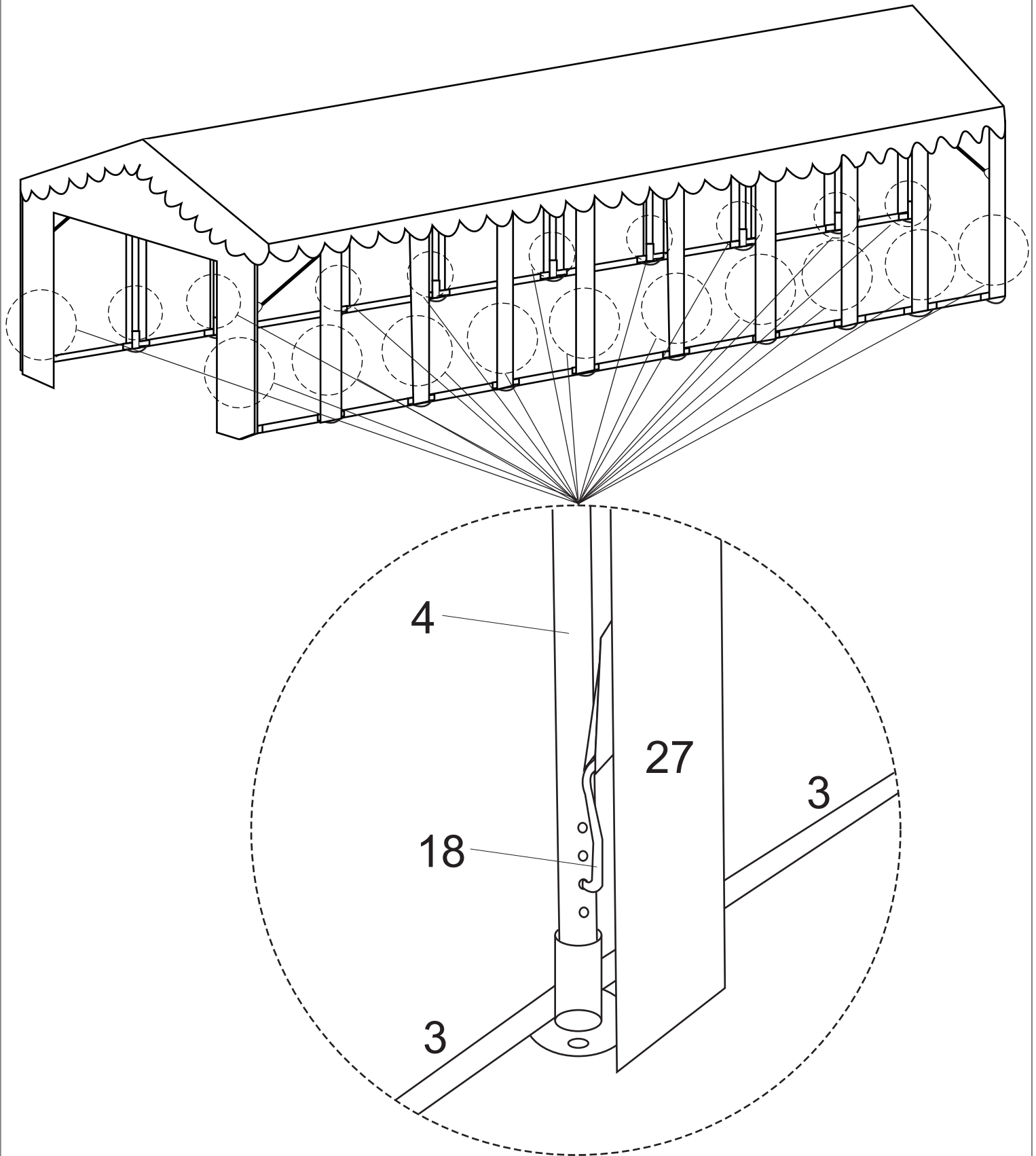
Use L-shaped ground nails (14) and U-shaped ground nails (15) to secure the frame firmly to the ground.



STEP 16

18 x20

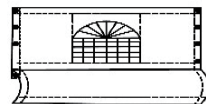
Fix the hanging cloth on the vertical pole (4) with hook (18).
There are Velcro strips on the hanging fabric (27) for fastening.



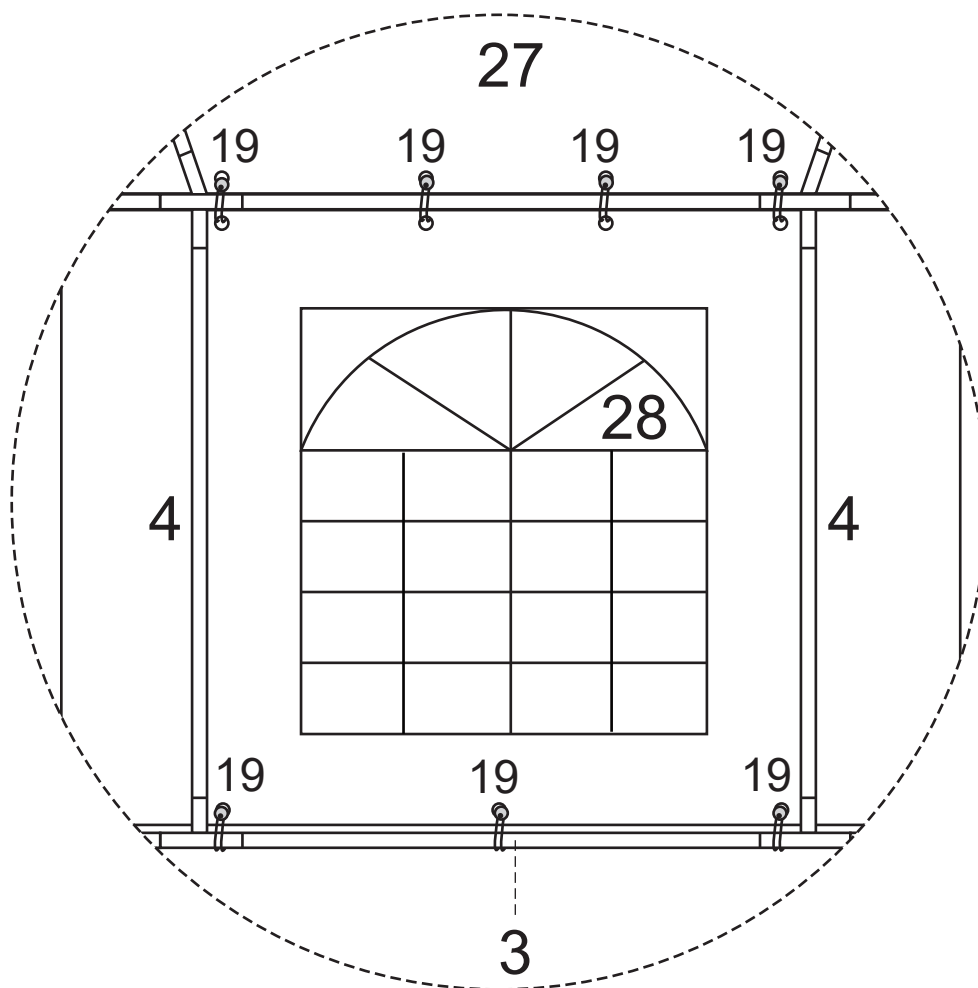
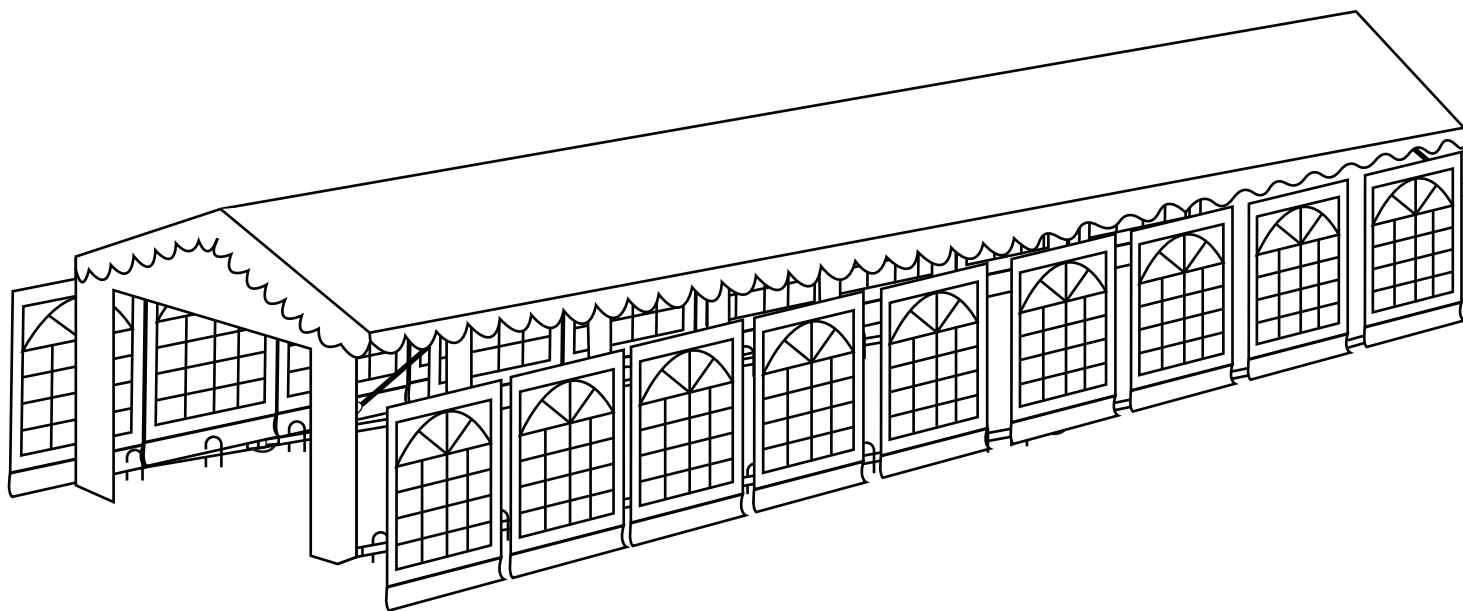
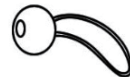
STEP 17

Use elastic balls (19) to fix the window (28) and the top cloth (27) on the crossbar (3) together. Velcro on the window is used to secure the window securely to the vertical pole (4).

28 x18



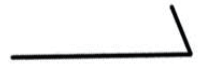
19 x126



STEP 18

Use L-shaped ground nails (14) to secure the extended window, and use ropes (17) and ground nails (16) to secure the party tent firmly to the ground.

14 x72



16 x4



17 x4

